

RECEIVED

FEB 05 2010

NONMETALLIC MINERAL PROCESSING PLANTS (CRUSHERS)
AIR GENERAL PERMIT REGISTRATION FORM

Bureau of Air Monitoring
& Mobile Sources

Part II. Notification to Permitting Office

(Detach and submit to appropriate permitting office; keep copy onsite)

Instructions: To give notice to the Department of an eligible facility's intent to use this air general permit, the owner or operator of the facility must detach and complete this part of the Air General Permit Registration Form and submit it to the appropriate Department of Environmental Protection or local air pollution control program office which has permitting authority. Please type or print clearly all information, and enclose the appropriate air general permit registration processing fee pursuant to Rule 62-4.050(4)(o), F.A.C. (\$100 as of the effective date of this form)

7775266-002

Registration Type

Check one:

INITIAL REGISTRATION - Notification of intent to:

- Construct and operate a proposed new facility.
- Operate an existing facility not currently using an air general permit (e.g., a facility proposing to go from an air operation permit to an air general permit).

RE-REGISTRATION (for facilities currently using an air general permit) - Notification of intent to:

- Continue operating the facility after expiration of the current term of air general permit use.
- Continue operating the facility after a change of ownership.
- Make an equipment change requiring re-registration pursuant to Rule 62-210.310(2)(e), F.A.C., or any other change not considered an administrative correction under Rule 62-210.310(2)(d), F.A.C.

Surrender of Existing Air Operation Permit(s) - For Initial Registrations Only

If the facility currently holds one or more air operation permits, such permit(s) must be surrendered by the owner or operator upon the effective date of this air general permit. In such case, check the first box, and indicate the operation permits being surrendered. If no air operation permits are held by the facility, check the second box.

- All existing air operation permits for this facility are hereby surrendered upon the effective date of this air general permit; specifically permit number(s): _____
- No air operation permits currently exist for this facility.

General Facility Information

Facility Owner/Company Name (Name of corporation, agency, or individual owner who or which owns, leases, operates, controls, or supervises the facility.)

C & M Road Builders, Inc.

Site Name (Name, if any, of the facility site; e.g., Plant A, Metropolis Plant, etc. If more than one facility is owned, a registration form must be completed for each.)

Crusher and Screener: Nonmetallic Mineral Processing

Facility Location (Provide the physical location of the facility, not necessarily the mailing address.)

Street Address: RELOCATABLE

City:

County:

Zip Code:

Facility Start-Up Date (Estimated start-up date of proposed new facility.)(N/A for existing facility)

N/A

* SEE ATTACHED APPENDIX TO THIS FORM. ->

2010 FEB -3 AM 9:19
FINANCE & ACCOUNTING
REVENUE
FLORIDA DEPARTMENT OF ENVIRONMENTAL PROTECTION

Owner/Authorized Representative

Name and Position Title (Person who, by signing this form below, certifies that the facility is eligible to use this air general permit.)

Print Name and Title: Mark McCabe, President [E-mail: mmccabe@cmroadbuilders.com]

Owner/Authorized Representative Mailing Address

Organization/Firm: C & M Road Builders, Inc.

Street Address: 6728 33rd Street East

City: Sarasota

County: Manatee

Zip Code: 34243

Owner/Authorized Representative Telephone Numbers

Telephone: (941) 758-1933

Fax: (941) 751-6887

Cell phone (optional): (941) 356-3693

Facility Contact (If different from Owner/Authorized Representative)

Name and Position Title (Plant manager or person to be contacted regarding day-to-day operations at the facility.)

Print Name and Title:

Facility Contact Mailing Address

Organization/Firm:

Street Address:

City:

County:

Zip Code:

Facility Contact Telephone Numbers

Telephone:

Fax:

Cell phone (optional):

Owner/Authorized Representative Statement

This statement must be signed and dated by the person named above as owner or authorized representative

I, the undersigned, am the owner or authorized representative of the owner or operator of the facility addressed in this Air General Permit Registration Form. I hereby certify, based on information and belief formed after reasonable inquiry, that the facility addressed in this registration form is eligible for use of this air general permit and that the statements made in this registration form are true, accurate and complete. Further, I agree to operate and maintain the facility described in this registration form so as to comply with all applicable standards for control of air pollutant emissions found in the statutes of the State of Florida and rules of the Department of Environmental Protection and revisions thereof.

I will promptly notify the Department of any changes to the information contained in this registration form.

Mark T. McCabe
Signature

Feb 2, 2010
Date

FLORIDA DEPARTMENT OF ENVIRONMENTAL PROTECTION
2010 FEB -3 AM 9:20
FINANCE & ACCOUNTING REVENUE

Type of Facility

Check one:
 Stationary Facility Relocatable Facility

Type(s) of Precautions Used to Prevent Unconfined Emissions

Check all that apply for the management of roads, parking areas, stock piles and yards:
 Maintain Roads/Parking/Yards Use Water Application Use Dust Suppressant
 Remove Particulate Matter Reduce Stock Pile Height Install Wind Breaks

Check the location of spray bars at the nonmetallic mineral processing plant:
 Feeders Entrance to "Crusher" Exit of "Crusher"
 Classifier Screens Conveyor Drop Points

Description of Reasonable Precautions

Below, or as an attachment to this form, provide details of all types of reasonable precautions to be used to prevent unconfined emissions at the facility.

Water applied at crusher conveyor to storage pile, and exit from hopper to conveyor belt CB #1 to screen as necessary to prevent excess unconfined emissions.

Water applied as necessary to the unpaved areas around the equipment to prevent excess unconfined emissions from payloader and other vehicles associated with the equipment.

FLORIDA DEPARTMENT OF
ENVIRONMENTAL PROTECTION
2010 FEB -3 AM 9:20
FINANCE & ACCOUNTING
REVENUE

Description of Facility

Below, or as an attachment to this form, provide a description of the nonmetallic mineral processing operations at the facility in sufficient detail to demonstrate the facility's eligibility for use of this air general permit and to provide a basis for tracking any future equipment or process changes at the facility. Describe all air pollutant-emitting processes and equipment at the facility, and identify any air pollution control measures or equipment used.

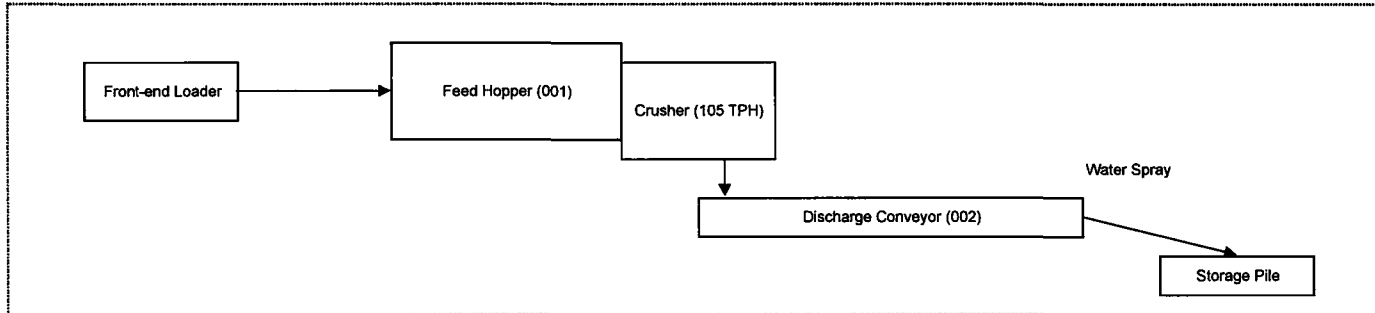
The facility includes relocatable a EXTEC Crusher, a Powerscreen screening machine, and conveyors.

The attached table of equipment and process flow diagram provide equipment information.

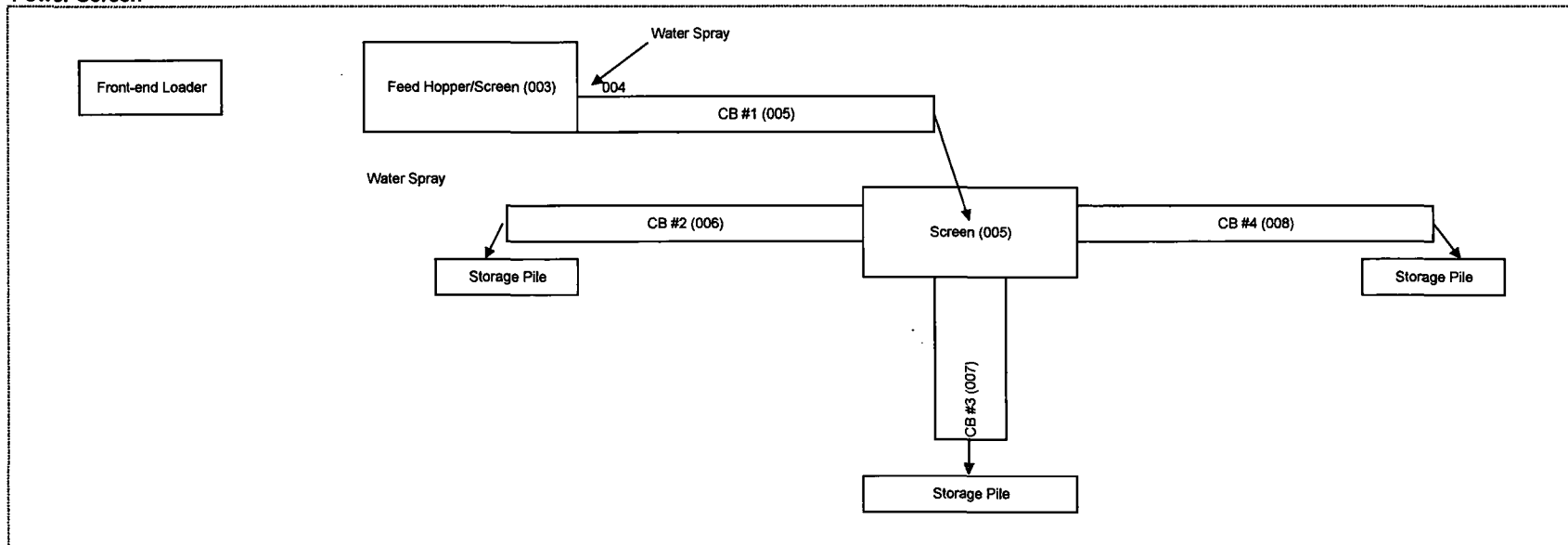
FLORIDA DEPARTMENT OF
ENVIRONMENTAL PROTECTION
2010 FEB -3 AM 9:20
FINANCE & ACCOUNTING
REVENUE

C & M Road Builders, Inc.
February 2010

EXTEC Crusher



Power Screen



C & M Road Builders, Inc. (updated February 2010)

Derived from table from 2005 Air GP Registration FORM for 7775266-001-AG; expiration date: 3/5/2010

Affected Facilities Description

Affected Facility	Manufacturer	Date of Manufacture	Model Number	Identifier & Serial Number	Size (TPH, hp, kW, etc.)		Subject to 40 CFR Part 60, Subpart OOO	
					Yes	No	Yes	No
Primary Crusher(s)	EXTEC	~1995	N/A	N/A	105	TPH	X	<input type="checkbox"/>
Secondary Crusher(s)						TPH	<input type="checkbox"/>	<input type="checkbox"/>
Grinding Mill(s)						TPH	<input type="checkbox"/>	<input type="checkbox"/>
Screening Operation(s)	Power Screen	~1995	1400	N/A	50 90	FT ²	X	<input type="checkbox"/>
Bagging Operation						TPH	<input type="checkbox"/>	<input type="checkbox"/>
Crusher Engine	Deutz	~1995	BF6M1013E	N/A	164	HP	<input type="checkbox"/>	X
Auxiliary Generator(s)						KW	<input type="checkbox"/>	<input type="checkbox"/>
Belt Conveyor(s)	EXTEC Main Product	~1995	N/A	N/A	32	IN.	X	<input type="checkbox"/>
						IN.	<input type="checkbox"/>	<input type="checkbox"/>
	PS - CB #1	~1995	N/A	N/A	32	IN.	X	<input type="checkbox"/>
	PS - CB #2	~1995	N/A	N/A	24	IN.	X	<input type="checkbox"/>
	PS - CB #3	~1995	N/A	N/A	36	IN.	X	<input type="checkbox"/>
	PS - CB #4	~1995	N/A	N/A	24	IN.	X	<input type="checkbox"/>
						IN.	<input type="checkbox"/>	<input type="checkbox"/>
						IN.	<input type="checkbox"/>	<input type="checkbox"/>
Comments:								
FINANCE & ACCOUNTING REVENUE								

2010 FEB - 3 AM 9:20

FLORIDA DEPARTMENT OF ENVIRONMENTAL PROTECTION

2/1/2010

NOTE:

If no corrections or changes are required:

Please sign and date the unbound copy (comprised of the 6 pages after this Note), and send it, along with a \$100 check payable to "Fla. Dept. of Env. Protection", via "overnight" FedEx delivery to DEP so that DEP receives it on or before February 3, 2010 to the following overnight delivery address:

**FDEP
3800 Commonwealth Boulevard, MS-77
Tallahassee, Florida
32399
[Phone: (850) 921-9586]**

Thank you.

**Lynn Robinson, P.E.
Southern Environmental Sciences, Inc.
(813) 957-8804 (cellular)**

FLORIDA DEPARTMENT OF
ENVIRONMENTAL PROTECTION
2010 FEB -3 AM 9:19
FINANCE & ACCOUNTING
REVENUE

Dibble, Dickson

From: Dibble, Dickson
Sent: Monday, February 15, 2010 7:37 AM
To: 'Lynn Robinson'
Cc: Ajhar, Rebecca
Subject: AIRS ID# 7775266; C&M Road Builders Inc dba Crusher & Screener: Nonmetallic Mineral Processing Plant AGP Registration Form
Attachments: 7775266-002-AG;C&MRoadBuildersIncdbaCrusher&ScreenerNMMPPlant.pdf

Dear Mr. Lynn Robinson,

I am in receipt of, and in the processing and review stages of the subject item Air General Permit (AGP) Registration Form.

On page seven (7) of the form under the General Facility Information section it requests a Site Name and Facility Location (current physical location) which is used for the purpose of tracking this relocatable as it moves from site to site.

Without the current location information, I will be unable to complete the renewal process and may have to deny renewal of this entitlement. I don't want to have to do that, so if you would be so kind and provide the current location information for this equipment it would be extremely helpful in the successful completion of the renewal process.

If you have any questions, comments or concerns please e-mail or call.

Thank you and have a great day!

Sincerely,

Dickson E. Dibble

Dickson E. Dibble, ES III

FL Dept of Environmental Protection
Div. of Air Resource Management
Bureau of Air Monitoring & Mobile Sources
Air General Permit Program
Tel. (850) 921-9586
FAX (850) 922-6979
ICG-#345

Dickson.Dibble@dep.state.fl.us



Please note: Florida has a very broad public records law. Most written communications to or from state officials regarding state business are public records available to the public and media upon request. Your e-mail communications may therefore be subject to public disclosure

Dibble, Dickson

From: Lynn Robinson [lrobinson@sesfla.com]
Sent: Monday, February 15, 2010 9:19 AM
To: Dibble, Dickson
Cc: Ajhar, Rebecca; mmccabe@cmroadbuilders.com
Subject: RE: AIRS ID# 7775266; C&M Road Builders Inc dba Crusher & Screener: Nonmetallic Mineral Processing Plant AGP Registration Form

To: Dickson Dibble, DEP
Cc: Mark McCabe, P.E., President, C & M Road Builders, Incorporated

Mr. Dibble,

In reply to your request, see our response below.

On page seven (7) of the form under the General Facility Information section it requests a Site Name and Facility Location (current physical location) which is used for the purpose of tracking this relocatable as it moves from site to site.

Response:

Site Name:
Crusher and Screener: Nonmetallic Mineral Processing

Facility Location (current physical location):
Approximately 100 yards north of Center Ice Parkway and approximately ¼ mile East of the intersection of Lakewood Ranch Blvd. and Center Ice Parkway in Bradenton, Manatee County, Florida, 34211.

Lynn Robinson, P.E.
Permitting Manager
Southern Environmental Sciences, Inc.
1204 North Wheeler Street
Plant City, FL 33563
813 752 5014 Tel
Cell 813 957 8804
813 752 2475 Fax

-----Original Message-----

From: Dibble, Dickson [mailto:Dickson.Dibble@dep.state.fl.us]
Sent: Monday, February 15, 2010 7:37 AM
To: 'Lynn Robinson'
Cc: Ajhar, Rebecca
Subject: AIRS ID# 7775266; C&M Road Builders Inc dba Crusher & Screener: Nonmetallic Mineral Processing Plant AGP Registration Form

Dear Mr. Lynn Robinson,

I am in receipt of, and in the processing and review stages of the subject item Air General Permit (AGP) Registration Form.

On page seven (7) of the form under the General Facility Information section it requests a Site Name and Facility Location (current physical location) which is used for the purpose of tracking this relocatable as it moves from site to site.

Without the current location information, I will be unable to complete the renewal process and may have to deny renewal of this entitlement. I don't want to have to do that, so if you would be so kind and provide the current location information for this equipment it would be extremely helpful in the successful completion of the renewal process.

If you have any questions, comments or concerns please e-mail or call.

Thank you and have a great day!

Sincerely,

Dickson E. Dibble

Dickson E. Dibble, ES III

FL Dept of Environmental Protection
Div. of Air Resource Management
Bureau of Air Monitoring & Mobile Sources
Air General Permit Program
Tel. (850) 921-9586
FAX (850) 922-6979
ICG-#345

Dickson.Dibble@dep.state.fl.us



Please note: Florida has a very broad public records law. Most written communications to or from state officials regarding state business are public records available to the public and media upon request. Your e-mail communications may therefore be subject to public disclosure

The Department of Environmental Protection values your feedback as a customer. DEP Secretary Michael W. Sole is committed to continuously assessing and improving the level and quality of services provided to you. Please take a few minutes to comment on the quality of service you received. Simply click on this link to the DEP Customer Survey. Thank you in advance for completing the survey.