



# CARGILL FERTILIZER, INC.

8813 Highway 41 South - Riverview, Florida 33569 - Telephone 813-677-9111 - TWX 810-876-0648 - Telex 52666 - FAX 813-671-6146

Certified Mail: P 343 040 653

April 14, 1997

Mr. John Reynolds  
Air Permitting Engineer  
Florida Department of Environmental Protection  
2600 Blair Stone Road  
Tallahassee, FL 32399-2400

Dear Mr. Reynolds:

Re: Cargill Fertilizer, Inc. - Riverview Facility  
Phosphoric Acid Plant; Permit No. 0570008-004-AC; PSD-FL-231  
Facility ID No. 0570008; Emission Unit ID No. 073

This letter serves as a written follow-up to our conversation on April 9, 1997 regarding changes in the Cargill Fertilizer, Inc. (Cargill) Phosphoric Acid Plant. Currently, this plant has three scrubbing systems (the Teller scrubber, the No. 4 Dorrco Vescor scrubber, and the #3 Filter Vescor Replica scrubber). The Teller scrubber currently evacuates the No. 3 Prayon reactor and the No. 1 filter. The Vescor scrubber currently evacuates the No. 4 Dorrco reactor and the No. 2 filter. The No. 3 Prayon reactor feeds acid to the No. 3 filter, while the No. 4 Dorrco reactor feeds acid to the No. 1 filter and the No. 2 filter.

Cargill is proposing to tie the evacuation from the No. 1 filter into the No. 4 Dorrco Vescor scrubber to allow evacuation from these sources to either the Teller scrubber or the No. 4 Dorrco Vescor scrubber (see attached flow diagram). This evacuation system would allow for increased operational flexibility. The current permitted emission limit for this facility is a combination of the three scrubbers, therefore Cargill feels that this change does not require a modification to our current construction permit. If you have any questions, please contact me at (813) 671-6369.

Sincerely,

Kathy Edgemon  
Environmental Engineer

cc: Morris, Russo  
File: P-20-3

cc: J. Reynolds, BAR  
D. Buff, Halder  
EPA  
SWD  
EPC HC

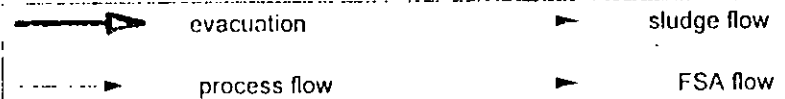
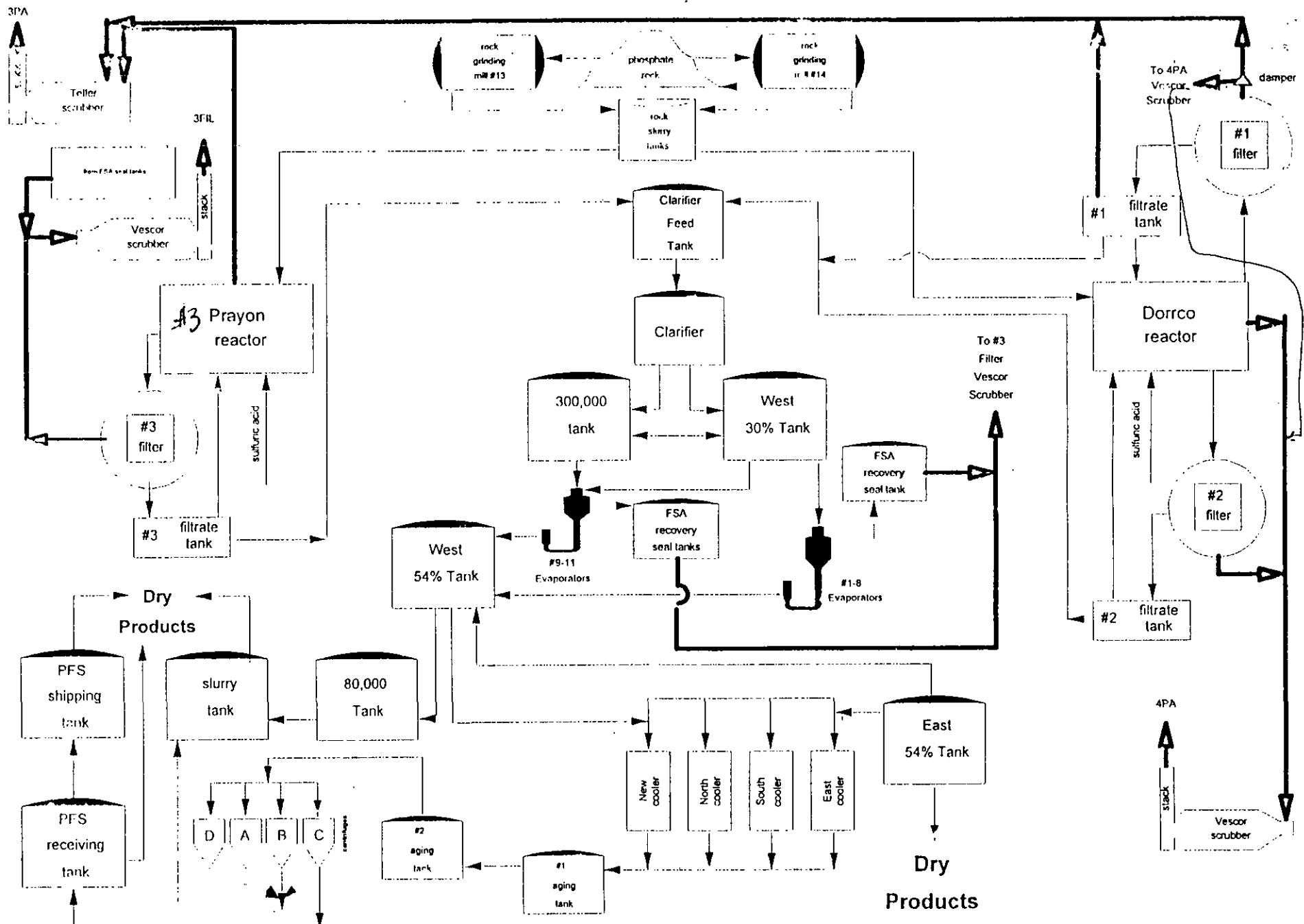
**RECEIVED**

APR 22 1997

BUREAU OF  
AIR REGULATION

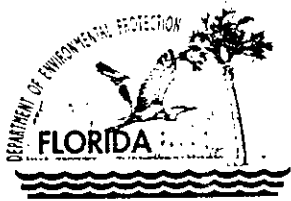


RECYCLED PAPER



Cargill Fertilizer, Inc. - Tampa  
 Phosphoric Acid Plant - Process Flow





# Department of Environmental Protection

Lawton Chiles  
Governor

Twin Towers Office Building  
2600 Blair Stone Road  
Tallahassee, Florida 32399-2400

Virginia B. Wetherell  
Secretary

April 17, 1997

Ms. Mary Buff  
Golder Associates Inc.  
6241 N.W. 23rd Street, Suite 500  
Gainesville, Florida 32653-1500

RE: Cargill Fertilizer, Inc. Riverview, 0570009-018-AC  
Cargill Fertilizer, Inc., Bartow, 1050046-005-AC

Dear Mary:

As we discussed, enclosed are two Application for Refund Forms for the duplicate processing fees submitted in October 1996, by KBN for the above referenced projects. Both forms should be signed on the Applicant's Signature line and returned to me for processing. If you have any questions, please call me at (904)921-9505.

Sincerely,

Patty Adams  
Bureau of Air Regulation

/pa

Enclosures

APPLICATION FOR REFUND FORM  
THE STATE OF FLORIDA  
DEPARTMENT OF ENVIRONMENTAL PROTECTION

STATE OF FLORIDA, COUNTY OF \_\_\_\_\_

Pursuant to the provisions of Section 215.26, or Section \_\_\_\_\_\*, Florida Statutes,  
I hereby apply for a refund and request that a State Warrant be drawn in favor of:

NAME: KBN ENGINEERING AND APPLIED SCIENCES  
ADDRESS: 6241 N.W. 23RD STREET, SUITE 500 GAINESVILLE, FL 32653-150  
FEID OR SS NUMBER:  
AMOUNT: \$250.00 DEPOSIT DATE: 03-OCT-96 DEPOSIT: 370602  
DOCUMENT NUMBER: SYS RECEIPT#: 105893  
REV OBJECT CODE: 2222 AIR CONSTRUCT

which represents moneys I paid into the State Treasury subject to refund, and to substantiate such claim the following facts are submitted:

REASON FOR CLAIM: DUPLICATE PAYMENT

-----  
CERTIFIED TRUE AND CORRECT this \_\_\_\_\_ day of \_\_\_\_\_, 19\_\_.

\_\_\_\_\_  
Applicant's Signature

\*Must be completed if authority is other than Section 215.26, Florida Statutes.

\*\*\*\*\*

(FOR AGENCY USE ONLY)

(1) Agency recommends denial of above claim based on the following facts, including statutory authority for collection:

OR

(2) Agency recommends approval of above claim and submits the following information to substantiate such claim. \$250.00 was originally deposited into the State Treasury, Receipt \_\_\_\_\_, dated \_\_\_\_\_.

NAME OF ACCOUNT:

SAMAS ACCOUNT CODE

3720252600137\_\_\_\_\_0000000020000

Statutory Authority for Collection \_\_\_\_\_

It is requested that payment be made from:

NAME OF ACCOUNT:

SAMAS ACCOUNT CODE

3720252600137\_\_\_\_\_0000C022000000

\*\*\*\*\*

CERTIFIED TRUE AND CORRECT this \_\_\_\_\_ day of \_\_\_\_\_, 19\_\_.

\_\_\_\_\_  
Signature and Title of Authorized Person

\*\*\*\*\*

SECTION 215.26 STATES, IN PART: "APPLICATION FOR REFUNDS AS PROVIDED B. THIS SECTION SHALL BE FILED WITH THE COMPTROLLER, EXCEPT AS OTHERWISE PROVIDED HEREIN, WITHIN 3 YEARS AFTER THE RIGHT TO SUCH REFUND SHALL HAVE ACCRUED ELSE SUCH RIGHT SHALL BE BARRED." Three years is interpreted as meaning three years from the date of payment into State Treasury.

APPLICATION FOR REFUND FORM  
THE STATE OF FLORIDA  
DEPARTMENT OF ENVIRONMENTAL PROTECTION

STATE OF FLORIDA, COUNTY OF \_\_\_\_\_

Pursuant to the provisions of Section 215.26, or Section \_\_\_\_\_\*, Florida Statutes,  
I hereby apply for a refund and request that a State Warrant be drawn in favor of:

NAME: KBN ENGINEERING AND APPLIED SCIENCES  
ADDRESS: 6241 N.W. 23RD STREET, SUITE 500 GAINESVILLE, FL 32653-150  
FEID OR SS NUMBER:  
AMOUNT: \$250.00 DEPOSIT DATE: 03-OCT-96 DEPOSIT: 370602  
DOCUMENT NUMBER: SYS RECEIPT#: 105894  
REV OBJECT CODE: 2222 AIR CONSTRUCT

which represents moneys I paid into the State Treasury subject to refund, and to substantiate such claim the following facts are submitted:

REASON FOR CLAIM: DUPLICATE PAYMENT

-----  
CERTIFIED TRUE AND CORRECT this \_\_\_\_\_ day of \_\_\_\_\_, 19\_\_.

\_\_\_\_\_  
Applicant's Signature

\*Must be completed if authority is other than Section 215.26, Florida Statutes.

\*\*\*\*\*  
(FOR AGENCY USE ONLY)

(1) Agency recommends denial of above claim based on the following facts, including statutory authority for collection:

OR

(2) Agency recommends approval of above claim and submits the following information to substantiate such claim. \$250.00 was originally deposited into the State Treasury, Receipt \_\_\_\_\_, dated \_\_\_\_\_.

NAME OF ACCOUNT:

SAMAS ACCOUNT CODE  
3720252600137\_\_\_\_\_0000000020000

Statutory Authority for Collection \_\_\_\_\_

It is requested that payment be made from:

NAME OF ACCOUNT:

SAMAS ACCOUNT CODE  
3720252600137\_\_\_\_\_00000022000000

\*\*\*\*\*  
CERTIFIED TRUE AND CORRECT this \_\_\_\_\_ day of \_\_\_\_\_, 19\_\_.

\_\_\_\_\_  
Signature and Title of Authorized Person

\*\*\*\*\*  
SECTION 215.26 STATES, IN PART: "APPLICATION FOR REFUNDS AS PROVIDED BY THIS SECTION SHALL BE FILED WITH THE COMPTROLLER, EXCEPT AS OTHERWISE PROVIDED HEREIN, WITHIN 3 YEARS AFTER THE RIGHT TO SUCH REFUND SHALL HAVE ACCRUED ELSE SUCH RIGHT SHALL BE BARRED." Three years is interpreted as meaning three years from the date of payment into State Treasury.



# CARGILL FERTILIZER, INC.

8813 Highway 41 South - Riverview, Florida 33569 - Telephone 813-677-9111 - TWX 810-876-0648 - Telex 52666 - FAX 813-671-6146

Certified Mail: P 343 040 653

April 14, 1997

Mr. John Reynolds  
Air Permitting Engineer  
Florida Department of Environmental Protection  
2600 Blair Stone Road  
Tallahassee, FL 32399-2400

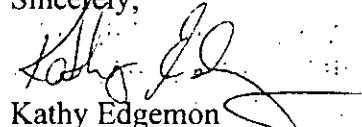
Dear Mr. Reynolds:

Re: Cargill Fertilizer, Inc. - Riverview Facility  
Phosphoric Acid Plant; Permit No. 0570008-004-AC; PSD-FL-231  
Facility ID No. 0570008; Emission Unit ID No. 073

This letter serves as a written follow-up to our conversation on April 9, 1997 regarding changes in the Cargill Fertilizer, Inc. (Cargill) Phosphoric Acid Plant. Currently, this plant has three scrubbing systems (the Teller scrubber, the No. 4 Dorrco Vescor scrubber, and the #3 Filter Vescor Replica scrubber). The Teller scrubber currently evacuates the No. 3 Prayon reactor and the No. 1 filter. The Vescor scrubber currently evacuates the No. 4 Dorrco reactor and the No. 2 filter. The No. 3 Prayon reactor feeds acid to the No. 3 filter, while the No. 4 Dorrco reactor feeds acid to the No. 1 filter and the No. 2 filter.

Cargill is proposing to tie the evacuation from the No. 1 filter into the No. 4 Dorrco Vescor scrubber to allow evacuation from these sources to either the Teller scrubber or the No. 4 Dorrco Vescor scrubber (see attached flow diagram). This evacuation system would allow for increased operational flexibility. The current permitted emission limit for this facility is a combination of the three scrubbers, therefore Cargill feels that this change does not require a modification to our current construction permit. If you have any questions, please contact me at (813) 671-6369.

Sincerely,

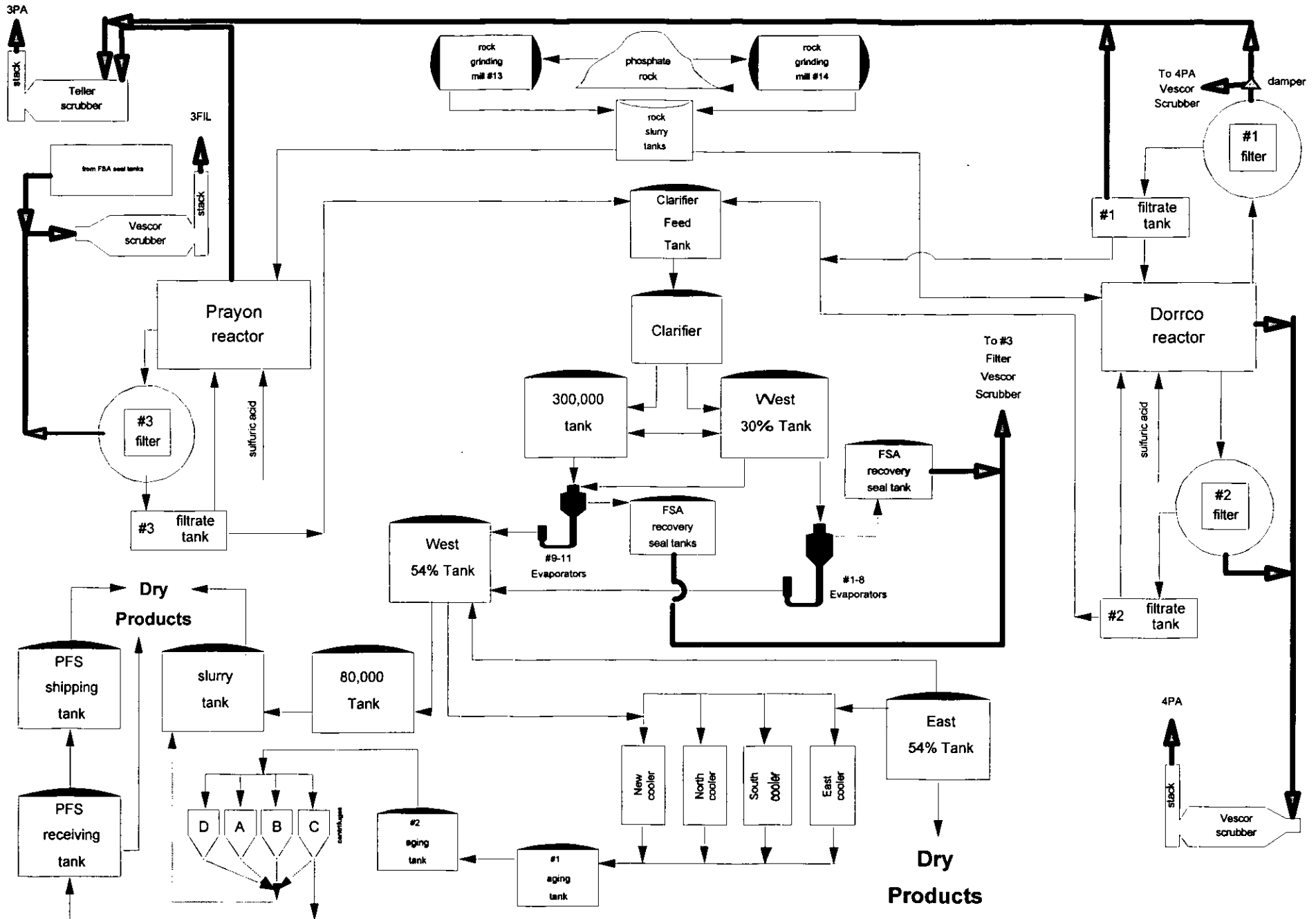
  
Kathy Edgemon  
Environmental Engineer

cc: Morris, Russo  
File: P-20-3

cc: J. Reynolds, BAR  
D. Buff, Halder  
EPA  
SWD  
EPC HC

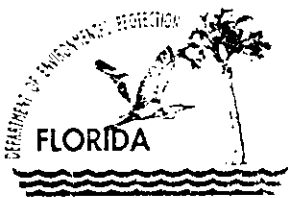
**RECEIVED**  
APR 22 1997  
BUREAU OF  
AIR REGULATION





Cargill Fertilizer, Inc. - Tampa  
 Phosphoric Acid Plant - Process Flow





# Department of Environmental Protection

Lawton Chiles  
Governor

Twin Towers Office Building  
2600 Blair Stone Road  
Tallahassee, Florida 32399-2400

Virginia B. Wetherell  
Secretary

April 1, 1997

## CERTIFIED MAIL - RETURN RECEIPT REQUESTED

Ms. Melody Russo  
Environmental Superintendent  
Cargill Fertilizer, Inc.  
8813 Highway 41 South  
Riverview, Florida 33569

Re: Modification of Construction Permit No. PSD-FL-231  
AIRS I.D. No. 0570008-018-AC  
Riverview Nos. 3 and 4 Phosphoric Acid Plants

Dear Ms. Russo:

The Department received Cargill's December 16 letter requesting a modification of the above referenced permit. The permit is hereby modified as shown below:

FROM: (Page 1 - Paragraph 2)

For the increase in production of the Nos. 3 and 4 Phosphoric Acid plants from a total of 139 to 170 tons  $P_2O_5$  per hour along with the construction of a packed scrubber for the No. 3 acid filter.

TO: (Page 1 - Paragraph 2)

For the increase in production of the Nos. 3 and 4 Phosphoric Acid plants from a total of 139 to 170 tons  $P_2O_5$  per hour along with the construction of a packed scrubber for the No. 3 acid filter. **Additional equipment to be installed includes a phosphoric acid evaporator, condenser and seal tank, cooler, fluosilicic acid recovery unit and storage tank, condenser, and centrifuge.**

A copy of this letter shall be filed with the referenced permit and shall become part of the permit.

Sincerely,

Howard L. Rhodes, Director  
Division of Air Resources  
Management

HLR/aal/hh



**CERTIFICATE OF SERVICE**

The undersigned duly designated deputy agency clerk hereby certifies that this MODIFICATION was sent by certified mail (\*) and copies were mailed by U.S. Mail before the close of business on 4-1-97 to the person(s) listed:

- Ms. Melody Russo, Cargill Fertilizer, Inc. \*
- Mr. Brian Beals, EPA
- Mr. David A. Buff, P.E.
- Mr. Bill Thomas, SWD
- Mr. Jerry Campbell, EPCHC

Clerk Stamp

**FILING AND ACKNOWLEDGMENT FILED,**  
on this date, pursuant to §120.52(7), Florida  
Statutes, with the designated Department Clerk,  
receipt of which is hereby acknowledged.

Keri Jones                      4-1-97  
(Clerk)                                      (Date)

P 339 251 188

US Postal Service  
**Receipt for Certified Mail**  
No Insurance Coverage Provided.  
Do not use for International Mail (See reverse)

Sent to <i>Melody Russo</i>	
Street & Number <i>Carsil Fert.</i>	
Post Office, State, & ZIP Code <i>Riverview, FL</i>	
Postage	\$
Certified Fee	
Special Delivery Fee	
Restricted Delivery Fee	
Return Receipt Showing to Whom & Date Delivered	
Return Receipt Showing to Whom, Date, & Addressee's Address	
TOTAL Postage & Fees	\$
Postmark or Date <i>4-4-97</i> <i>PSD-FL-231</i> <i>#5 344</i>	

PS Form 3800, April 1995

Is your RETURN ADDRESS completed on the reverse side?

**SENDER:**

- Complete items 1 and/or 2 for additional services.
- Complete items 3, 4a, and 4b.
- Print your name and address on the reverse of this form so that we can return this card to you.
- Attach this form to the front of the mailpiece, or on the back if space does not permit.
- Write "Return Receipt Requested" on the mailpiece below the article number.
- The Return Receipt will show to whom the article was delivered and the date delivered.

I also wish to receive the following services (for an extra fee):

- Addressee's Address
- Restricted Delivery

Consult postmaster for fee.

3. Article Addressed to:  
*Ms. Melody Russo, Eur. Sup.*  
*Carsil Fertilizer*  
*8813 Hwy 41 South*  
*Riverview, FL*  
*33569*

4a. Article Number  
*P339 251 188*

4b. Service Type  
 Registered  Certified  
 Express Mail  Insured  
 Return Receipt for Merchandise  COD

7. Date of Delivery  
*4/4/97*

5. Received By: (Print Name)  
*Melody Russo*

8. Addressee's Address (Only if requested and fee is paid)

6. Signature: (Addressee or Agent)  
*X [Signature]*

Thank you for using Return Receipt Service.



# CARGILL FERTILIZER, INC.

8813 Highway 41 South - Riverview, Florida 33569 - Telephone 813-677-9111 - TWX 810-876-0648 - Telex 52666 - FAX 813-671-6146

CERTIFIED MAIL: P 343 040 632

February 26, 1997

**RECEIVED**  
FEB 28 1997  
BUREAU OF  
AIR REGULATION

Florida  
Department of Environmental Protection  
Bureau of Air Regulation  
2600 Blair Stone Road  
Mail Station #5505  
Tallahassee, FL 32399-2400

Subject: Proof of Publication - Notice of Intent to Issue an Air Construction Permit Modification, DRAFT Permit Modification No.: 0570008-004-AC, (PSD-FL-231) to Cargill Fertilizer, Inc. for the Nos. 3 & 4 Phosphoric Acid Plants located at 8813 U.S. Highway 41 South, Riverview, Hillsborough County, FL 33569.

Gentlemen:

You will find attached Proof of Publication of the Notice of Intent to Issue subject permit modification as required by Florida Department of Environmental Protection.

If there are any questions, please contact me at (813) 671-6297.

Sincerely,

Melody D. Russo  
Environmental Superintendent

/dh  
Enclosure

x.c. Rick Kirby - HCEPC  
Bill Thomas - FDEP  
Don Clark  
Ozzie Morris  
Kathy Edgemon  
File P-20-3

CC: EPA  
NPS  
SWD  
D. Butts, Golden Assoc.  
J. Reynolds, BAR



recycled paper

THE TAMPA TRIBUNE  
Published Daily  
Tampa, Hillsborough County, Florida

State of Florida }  
County of Hillsborough } ss.

Before the undersigned authority personally appeared J. Rosenthal, who on oath says that she is Classified Billing Manager of The Tampa Tribune, a daily newspaper published at Tampa in Hillsborough County, Florida; that the attached copy of advertisement being a

LEGAL NOTICE

in the matter of

STATE OF FLORIDA

was published in said newspaper in the issues of

FEBRUARY 25, 1997

Affiant further says that the said The Tampa Tribune is a newspaper published at Tampa in said Hillsborough County, Florida, and that the said newspaper has heretofore been continuously published in said Hillsborough County, Florida, each day and has been entered as second class mail matter at the post office in Tampa, in said Hillsborough County, Florida for a period of one year next preceding the first publication of the attached copy of advertisement; and affiant further says that she has neither paid nor promised any person, this advertisement for publication in the said newspaper.

*J. Rosenthal*  
25

Sworn to and subscribed before me, this \_\_\_\_\_ day

of FEBRUARY, A.D. 19 97

Personally Known \_\_\_\_\_ or Product Identification \_\_\_\_\_  
Type of Identification Produced \_\_\_\_\_

(SEAL)

*Tom Kennedy*

STATE OF FLORIDA  
DEPARTMENT OF  
ENVIRONMENTAL  
PROTECTION  
DRAFT Permit Modification  
No. 857008-004-AC  
(PSD-FL 231)  
Riverview  
Hillsborough County  
The Department of Environ-  
mental Protection (Depart-  
ment) gives notice of its inten-  
to issue an air constructor  
permit modification to Cargill  
Fertilizer, Inc. for the No. 4  
and 4 Phosphoric Acid Plant  
located at 8813 Highway 41  
South, Riverview, Hillsbor-  
ough County, Florida. A Best  
Available Control Technology  
(BACT) determination was  
not required pursuant to Rule  
62-212.400, F.A.C. and 40 CFR  
82.21, "Prevention of Signifi-  
cant Deterioration (PSD). The  
applicant's name and address  
are: Cargill Fertilizer, Inc.,  
8813 Highway 41 South, River-  
view, Florida 33569.  
The permit modification is  
for the purpose of allowing  
the installation of additional  
process equipment including a  
phosphoric acid evaporator to  
extend the period between  
shutdowns for maintenance.  
Emissions increases credit-  
able to this change were con-  
sidered in a recently issued  
permit for a production in-  
crease at this facility. A BACT  
determination was made for  
that action. The Department  
will issue the FINAL Permit  
Modification in accordance  
with the conditions of the  
DRAFT Permit Modification  
unless a response received in  
accordance with the following  
procedures results in a differ-  
ent decision for significant  
change of terms or conditions.  
The Department will accept  
written comments concerning  
the proposed DRAFT Permit  
Modification Issuance action  
for a period of 30 (thirty) days  
from the date of publication of  
this Notice. Written comments  
should be provided to the De-  
partment's Bureau of Air Reg-  
ulation, 2600 Blair Stone Road,  
Mail Station #3505, Tallahas-  
see, Florida 32399-2400. Any  
written comments filed shall  
be made available for public  
inspection. If written com-  
ments received result in a sig-  
nificant change in this DRAFT  
Permit Modification, the De-  
partment shall issue a Revised  
DRAFT Permit Modification  
and require, if applicable, an-  
other Public Notice.  
The Department will issue  
FINAL Permit Modification  
with the conditions of the  
DRAFT Permit Modification  
unless a timely petition for an  
administrative hearing is filed  
pursuant to Sections 120.569  
and 120.57 F.S. or a party re-  
quest mediation as an alterna-  
tive remedy under Section  
120.573 before the deadline for  
filing a petition. Choosing me-  
diation will not adversely af-  
fect the right to a hearing if  
mediation does not result in a  
settlement. The procedures  
for petitioning for a hearing  
are set forth below, followed  
by the procedures for request-  
ing mediation.  
A person whose substantial  
interests are affected by the  
Department's proposed per-  
mitting decision may petition  
for an administrative hearing  
in accordance with Section  
120.569 and 120.57 F.S. The  
petition must contain the in-  
formation set forth below and  
must be filed (received) in the  
Office of General Counsel of  
the Department, 3900 Com-  
menworth Boulevard, Mail  
Station #315, Tallahassee,  
Florida 32399-3000, telephone:  
904/488-9370, fax: 904/487-  
4938. Petitions must be filed  
within fourteen days of publi-  
cation of the notice or within  
fourteen days of receipt of  
this notice of intent, whichev-  
er occurs first. A petitioner  
must mail a copy of the peti-  
tion to the applicant at the  
address indicated above, at  
the time of filing. The failure  
of any person to file a petition  
(or a request for mediation, as  
discussed below) within the  
appropriate time period shall  
constitute a waiver of that  
person's right to request an  
administrative determination  
(hearing) under Sections  
120.569 and 120.57, F.S. or to  
intervene in this proceeding  
and participate as a party to

W.S. KENNEDY  
Notary Public, State of Florida  
My Comm. Expires April 21, 2000  
No. 00019541

Cargill

PSD-FI-231

A petition must contain the following information: (a) The name, address, and telephone number of each petitioner, the applicant's name and address, the Permit File Number, and the county in which the project is proposed; (b) A statement of how and when each petitioner received notice of the Department's action or proposed action; (c) A statement of how each petitioner's substantial interests are affected by the Department's action or proposed action; (d) A statement of the material facts disputed by petitioner, if any; (e) A statement of facts that the petitioner contends warrant reversal or modification of the Department's action or proposed action; (f) A statement identifying the rules or statutes that the petitioner contends require reversal or modification of the Department's action or proposed action; and (g) A statement of the relief sought by petitioner, stating precisely the action that the petitioner wants the Department to take with respect to the Department's action or proposed action addressed in this notice of intent. Because the administrative hearing process is designed to formulate final agency action, the filing of a petition means that the Department's final action may be different from the position taken by it in this notice of intent. Persons whose substantial interests will be affected by any such final decision of the Department on the application have the right to petition to become a party to the proceeding, in accordance with the requirements set forth above.

A person whose substantial interests are affected by the Department's proposed permitting decision may elect to pursue mediation by asking all parties to the proceeding to agree to such mediation and by filing with the Department a request for mediation and the written agreement of all such parties to mediate the dispute. The request and agreement must be filed in accordance with the Office of General Counsel of the Department, 3800 Commonwealth Boulevard, Mail Station #23, Tallahassee, Florida 32307-3800, by the same deadline as set forth above for the filing of a petition.

A request for mediation must contain the following information: (a) The name, address, and telephone number of the person requesting mediation and that person's representative, if any; (b) A statement of the preliminary agency action; (c) A statement of the relief sought; and (d) Either an explanation of how the requester's substantial interests will be affected by the action or proposed action addressed in this notice of intent or a statement clearly identifying the petition for hearing that the requester has already filed, and incorporating it by reference.

The agreement to mediate must include the following: (a) The names, addresses, and telephone numbers of any persons who may attend the mediation; (b) The name, address, and telephone number of the mediator, selected by the parties, or a provision for selecting a mediator within a specified time; (c) The agreed allocation of the costs and fees associated with the mediation; (d) The agreement of the parties on the confidentiality of discussions and documents introduced during mediation; (e) The date, time, and place of the first mediation

session, or a deadline for holding the first session. If the mediator has not been chosen by the time of each party's representative who shall have authority to settle or incorporate amendments and (d) The signatures of all parties or their authorized representatives.

As provided in Section 120.573 F.S., the timely agreement of all parties to mediate will toll the time limitations imposed by Sections 120.569 and 120.57 F.S. for requesting and holding an administrative hearing. Unless otherwise agreed by the parties, the mediation must be concluded within sixty days of the execution of the agreement. If mediation results in settlement of the administrative dispute, the Department must enter a final order incorporating the agreement of the parties. Persons whose substantial interests will be affected by such modified final decision of the Department have a right to petition for a hearing only in accordance with the requirements for such petitions set forth above. If mediation terminates without settlement of the dispute, the Department shall notify all parties in writing that the administrative hearing processes under Sections 120.569 and 120.57 F.S. remain available for disposition of the dispute, and the notice will specify the deadline that then will apply for challenging the agency action and electing remedies under those two statutes.

A complete project file is available for public inspection during normal business hours, 8:00 a.m. to 5:00 p.m., Monday through Friday, except legal holidays, at:

Department of Environmental Protection  
Bureau of Air Regulation  
111 S. Magnolia Drive, Suite 4  
Tallahassee, Florida 32301  
Telephone: 904/488-1344  
Fax: 904/744-6064

Environmental Protection  
Commission of Washington  
County  
1900 9th Avenue  
Tampa, Florida 33605  
Telephone: 813/272-3960  
Fax: 813/272-3157

Department of Environmental Protection  
Southwest District Office  
3804 Coconut Palm Drive  
Tampa, Florida 33619-8218  
Telephone: (813) 744-6100  
Fax: (813) 744-6064

The complete project file includes the Draft Permit Modification, the application, and the information submitted by the responsible parties, exclusive of confidential records under Section 402.111 F.S. Interested persons may contact the Administrator, New Resource Review Section of 111 South Magnolia Drive, Suite 4, Tallahassee, Florida 32301, or call 904/488-1344, for additional information.

6029 2/25/97