

Cedar Bay Generating Plant

Title V Permit 310337-002-AV

PSD Permit PSD-FI-137

Site Certificate PA 88-24

Fiber Reject Test Burn Report

-54-



PG&E National Energy Group™

Cedar Bay
Generating Plant
Owner: Cedar Bay Generating Company, L.P.

RECEIVED

POB 26324
Jacksonville, FL 32226-6324

904.751.4000
Fax: 904.751.7320

OCT 18 2002

BUREAU OF AIR REGULATION

October 17, 2002

Mr. Scott Sheplak, P.E.
Bureau of Air Regulation
Florida Department of Environmental Regulation
Twin Towers Office Building
2600 Blair Stone Road
Tallahassee, Florida 32399-2400

**Re: Cedar Bay Generating Plant Fiber Reject Test Burn Report
Permit Nos. PSD-FL-137 & Title V 0310337-003-AV
Site Certification PA 88-24**

↓
0310337-001-AC

Dear Mr. Sheplak:

Pursuant to the above referenced permits, Cedar Bay Generating Company, L.P. (Cedar Bay), submits the results of the 30-day test burn of fiber rejects in Cedar Bay's boiler C. Prior to the commencement of the test burn on August 27th, 2002 a test burn protocol and 30-day notice were provided to the Department on May 24th and July 23rd 2002 respectively. The emission data collected while firing coal and fiber rejects indicate that Cedar Bay's boilers can burn the rejects as supplemental fuel without exceeding any of the limitations on emissions and fuel usage. In addition, the test burn validated that the existing fiber reject conveying/boiler feed system and related appurtenances are able to function without causing any operational problems that would affect the reliable operation of the boiler(s).

Commencing August 27th 2002, Cedar Bay began firing the fiber rejects in boiler C. The test burn concluded September 25th 2002. On September 3rd and 4th 2002, a stack-testing firm, Coastal Air Consulting, performed the specified EPA methods to determine Particulate, Particulate less than 10 microns in diameter, and metals (lead, mercury and beryllium). The monitoring data, located (Tab 1), indicate that firing the fiber rejects had no impact on PM, PM10, and metal emissions. Also, during the duration of the test burn, the plant's Continuous Emissions Monitoring System (CEM), as qualified by 40 CFR 60- Appendix F, continuously recorded emission data for SO2, NOx, CO (Tab 2), and opacity (Tab 3). There was no difference in emissions in the criteria pollutants or opacity while burning the fiber rejects.

Fuel, steam, limestone flows as well as heat input determination and SO2 reduction are included in Tab 4. As the fiber rejects were originally intended to be burned in Cedar Bay's boilers, the plant's CEM software was developed with fiber rejects as a source of fuel. As

October 17, 2002

Page 2

such, the fiber reject data was integrated into CEM calculations including: total boiler heat input included fiber heat input and the boiler carbon based F-factor used incorporated a fiber volumetric F-factor. Also, the fiber SO₂ inlet is included in the total boiler SO₂ inlet. Proximate analyses of the fiber rejects (Tab 5) was used for Btu determination and % sulfur content.

In order to validate that the combustion of fiber rejects did not impact the characterization of the bed or fly ash, boiler C's bed and fly ash were sampled and analyzed by a certified laboratory. The results of a Toxic Characteristic Leaching Procedure (TCLP) of the applicable RCRA metals indicate no deleterious effect on either the fly or bed ash. The laboratory data is located in Tab 6.

Boiler operational data is provided in Tab 7. Utilizing the Plant Information (PI) archive system that interfaces directly with the boiler's distributed control system, plant personnel did not observe any detrimental impacts of burning fiber rejects that would affect reliable operation.

Pursuant to Specific Condition No. II.A.1.h of PSD Permit PSD-FL-137 and Section III, A. 64 of Title V Permit 0310337-003-AV, Cedar Bay submits the fiber reject test burn results and is seeking concurrence from the Department that the rejects can be burned in compliance with all existing boiler emission conditions.

If there are any questions or if there is any additional information needed, please contact me at 904-751-4000 ext. 147.

Sincerely,



Jeffrey A. Walker
Environmental Manager, Cedar Bay

Cc: S. Pace, RESD w/enclosure
E. Frye, FDEP Northeast District, w/o enclosure
T. Fromm, Bethesda



1531 Wyngate Drive DeLand, FL 32724

Phone (386) 943 9241 / Cell (386) 451-0169 / Fax (386) 943 9212

COMPLETE EMISSIONS TESTING SERVICES • PERMITTING ASSISTANCE • CEMS CERTIFICATION • AMBIENT AIR MONITORING

RECEIVED

OCT 18 2002

BUREAU OF AIR REGULATION

**PG&E
CEDAR BAY GENERATING COMPANY
UNIT C**

**PM10, PARTICULATE & METALS
EMISSIONS TEST REPORT**

**COASTAL AIR CONSULTING, INC.
REPORT NUMBER 112-003
SEPTEMBER 30, 2002**

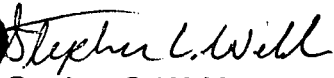
PM₁₀, PARTICULATE, & METALS EMISSIONS TEST REPORT No. 112-003
Unit C - CEDAR BAY PLANT

Commissioned By: PG&E Cedar Bay Generating Company
9640 Eastport Road
Jacksonville, FL 32218

Prepared By: Coastal Air Consulting, Inc.
September 30, 2002

STATEMENT OF VALIDITY

All testing activities and results represented herein were conducted and obtained in accordance with the approved, industry standard, EPA protocols listed in CFR 40 Part 60. The contents have been reviewed and verified, to the extent practical, to be valid and accurate representation of the source emissions at the time of testing.


Stephen C. Webb
President

PROJECT STATISTICS

Client: PG&E Cedar Bay Generating Company

Facility: Cedar Bay Plant Unit C

Location: 9640 Eastport Road
Jacksonville, FL 32218

Type of Process Tested: Circulating Fluidized Bed Boiler

Test Protocols Performed: PM/Be/Hg/Pb - EPA Method 29
PM 10 - EPA Method 201A
O₂/CO₂ - EPA Method 3

Testing Firm: Coastal Air Consulting, Inc.
1531 Wyngate Dr.
DeLand, FL 32724

Test Personnel: Steve Webb Site Supervisor
Dwayne Ritchie Technician

Test Date: September 3 & 4, 2002

Client Representative: Jeff Walker

Observers: None

TABLE OF CONTENTS

LETTER OF TRANSMITTAL

TITLE PAGE

STATEMENT OF VALIDITY

PROJECT STATISTICS

TABLE OF CONTENTS

- 1 Introduction
- 2 Test Program Summary
- 3 Results of Testing
- 4 Description of Source
- 5 Sampling Procedures
- 6 Operating Conditions
- 7 Quality Assurance

APPENDICES

- 1 Reference Data
- 2 Plant Data
- 3 Figures
- 4 Lab Analysis
- 5 Quality Assurance
- 6 Sample Calculations

1.0 Introduction

Coastal Air Consulting, Inc. (Coastal) was contracted by PG&E Cedar Bay Generating Company to perform the test burn emissions testing for pm₁₀, particulate and metals at the Cedar Bay Plant Unit C in Jacksonville, Florida.

The sampling program was conducted September 3 & 4, 2002. The testing was performed by Coastal personnel, with the assistance of personnel assigned by Cedar Bay Generating Company. Mr. Jeff Walker coordinated plant operations during the testing.

2.0 Test Program Summary

A summary of test results developed by this source sampling program is presented in TABLES 1, 2 and 3 as follows;

TABLE 1
Summary of Particulate Emissions

Source	Average (lb/mmBtu)	Permit (lb/mmBtu)	Average (lb/hr)	Permit (lb/hr)
Unit C	0.003	0.018	2.84	19.1

TABLE 2
Summary of PM10 Emissions

Source	Average (lb/mmBtu)	Average (lb/hr)	% Total
Unit C	0.002	2.23	78.5

TABLE 3
Summary of Metals Emissions

Source	Pollutant	Average (lb/hr)
Unit C	Beryllium (Be)	<0.000039
Unit C	Lead (Pb)	0.00051
Unit C	Mercury (Hg)	<0.0013

3.0 Results of Testing

Individual test run results are shown in Tables 4 & 5 and are tabulated in Appendix 1. These results indicate that Unit C is in compliance at the time of testing under the test burn operating conditions.

TABLE 4
COASTAL AIR CONSULTING, INC.
PARTICULATE EMISSION TEST SUMMARY

CLIENT: PG&E
 PLANT: Cedar Bay
 UNIT: Boiler C
 METHOD: 29

	<u>RUN 1</u>	<u>RUN 2</u>	<u>RUN 3</u>
	9/3/02	9/4/02	9/4/02
DATE OF RUN			
GROSS LOAD (AVG MMBTU/HR)			
START TIME (24-HR CLOCK)	1335	818	1115
END TIME (24-HR CLOCK)	1535	1018	1315
VOL DRY GAS SAMPLED METER COND (DCF)	83.417	90.329	91.081
BAROMETRIC PRESSURE (IN. HG)	29.97	29.95	29.95
AVG ORIFICE PRESSURE DROP (IN. H2O)	1.487	1.932	1.898
AVG GAS METER TEMP (F)	104.1	90.5	102.2
GAS METER CALIBRATION FACTOR	1.0300	1.0300	1.0300
VOL GAS SAMPLED STD COND (DSCF)	80.819	89.720	88.569
TOTAL WATER COLLECTED (G)	195.5	210.7	206.7
VOL WATER COLLECTED STD COND (SCF)	9.22	9.93	9.75
MOISTURE IN STACK GAS (% VOL)	10.24	9.97	9.91
MOLE FRACTION DRY GAS	0.898	0.900	0.901
CO2 VOL PERCENT DRY	13.1	13.2	13.3
O2 VOL PERCENT DRY	6.2	6.1	6.0
N2 VOL PERCENT DRY	80.70	80.70	80.70
MOL. WT. DRY STACK GAS (LB/LB-MOLE)	30.34	30.36	30.37
MOL. WT. WET STACK GAS (LB/LB-MOLE)	29.08	29.12	29.14
ELEV. DIFF. FROM MANOM. TO BAROM. (FT)	0.00	0.00	0.00
STACK GAS STATIC PRESSURE (IN. H2O GAGE)	-23.00	-20.50	-20.00
STACK GAS STATIC PRESSURE (IN. HG ABS.)	28.28	28.44	28.48
AVERAGE SQUARE ROOT VELOCITY HEAD	1.090	1.126	1.124
PITOT TUBE COEFFICIENT	0.84	0.84	0.84
AVG STACK TEMP (F)	332.0	327.3	329.5
STACK GAS VELOCITY STACK COND (FT/SEC)	76.80	78.85	78.70
CROSS SECTION STACK AREA (SQ FT)	95.8	95.8	95.8
STACK GAS FLOW RATE STD COND (DSCFM)	249684.9	260123.4	259443.8
STACK GAS FLOW RATE STACK COND (ACFM)	441484.9	453240.7	452410.2
NET TIME OF RUN (MIN)	120	120	120
NOZZLE DIAMETER (IN)	0.220	0.220	0.220
PERCENT ISOKINETIC	97.94	104.37	103.30
PARTICULATE COLLECTED (MG)	6.8	9.0	5.9
WEIGHTED AVERAGE F FACTOR (DSCF/MILL. BTU)	9780.00	9780.00	9780.00
HEAT INPUT COAL (%)	100.0	100.0	100.0
HEAT INPUT GAS (%)	0.0	0.0	0.0
PARTICULATE EMISSIONS (GRAINS/SCF)	0.0013	0.0015	0.0010
PARTICULATE EMISSIONS (LB/MILL. BTU)	0.003	0.003	0.002
PARTICULATE EMISSIONS (LB/HR)	2.78	3.45	2.29
AVERAGE PARTICULATE EMISSIONS (LB/MMBTU)		0.003	
AVERAGE PARTICULATE EMISSIONS (LB/HR)		2.84	
METALS EMISSION RATE (lb/hr)			
Beryllium	<0.000041	<0.000038	<0.000039
Lead	0.00039	0.00033	0.00081
Mercury	<0.0014	<0.0013	<0.0013
AVERAGE (lb/hr)			
Beryllium		<0.000039	
Lead		0.00051	
Mercury		<0.0013	

NOTE: STANDARD CONDITIONS – 68F, 29.92 in. Hg

TABLE 5
PM10 SUMMARY
EPA Method 201A

Client: **PG&E**
Plant: **Cedar Bay Plant**
Location: **Boiler C**

Run Number:	1	2	3
Date:	9/3/2002	9/4/2002	9/4/2002
Run Time			
Start	13:36	8:25	11:20
End	14:37	9:36	12:31
DN - Nozzle Diameter:	0.164	0.164	0.164
Pbar - Barometric Pressure:	29.97	29.95	29.95
TT - Sampling Time:	70.5	70.5	70.5
VM - Meter Volume:	31.53	29.51	30.36
TM - Avg. Meter Temp (F):	101	89	97
PM - Avg. Delta H (in. of H2O):	0.530	0.530	0.530
Y - Meter Calibration Factor:	1.01	1.01	1.01
VMSTD - Std. Gas Volume (SCF):	28.414	27.339	27.752
Vlc - Volume Water Collected:	66.4	60.5	65.7
%M - Percent Moisture:	9.9	9.4	10.0
Bws - Mole Fraction, Dry:	0.099	0.094	0.100
%CO2 - Carbon Dioxide, Dry:	13.1	13.2	13.3
%O2 - Oxygen, Dry:	6.2	6.1	6.0
MD - Dry Molecular Weight:	30.34	30.36	30.37
MS - Wet Molecular Weight:	29.12	29.19	29.13
A - Stack Area, SQ.FT:	95.83	95.83	95.83
PS - Static Press. (in. of H2O):	28.28	28.44	28.48
TS - Stack Temp. (F):	331	326	330
CP - Pitot Coefficient:	0.84	0.84	0.84
VS - Stack Gas Velocity (AFPS):	76.3	75.7	75.9
QS - Stack Gas Volume (DSCFM):	250,161	252,924	250,754
QA - Stack Gas Volume (ACFM):	440,071	437,143	438,321
%I - Isokinetic Ratio:	105.0	99.9	102.3
Particulate Emissions:			
Weight (mg):	1.9	2.0	1.7
Concentration (gr/dscf):	0.001	0.001	0.001
Rate (lb/mmBtu):	0.002	0.002	0.002
Rate (lb/hr):	2.2	2.4	2.0
		Average lb/mmBtu 0.002	
		Average lb/hr 2.226	

4.0 Description of Source

Cedar Bay Generating Company's Unit C is a coal fired circulating fluidized bed steam generating boiler. The boiler supplies steam for power production and process steam for the Stone Container paper mill.

The boiler is equipped with ammonia injection for control of NO_x emissions and a bag house for control of particulate emissions. The SO₂ emissions are controlled by limestone in the fluidized bed.

The flue gas is exhausted through the Units A, B and C common stack. A schematic of the process and stack sampling location is included in Appendix 3 "Figures".

5.0 Sampling Procedures

EPA testing protocols utilized during this test program include the following;

EPA Method 1	Sample and Velocity Traverse for Stationary Sources
EPA Method 2	Determination of Stack Gas Velocity and Volumetric Flow Rate
EPA Method 3	Gas Analysis for CO ₂ , O ₂ , Excess Air and Dry Molecular Weight
EPA Method 4	Determination of Moisture Content in Stack Gas
EPA Method 17	Determination of Particulate Emissions from Stationary Sources
EPA Method 29	Determination of Metals Emissions From Stationary Sources
EPA Method 201A	Determination of PM ₁₀ Emissions From Stationary Sources

The test runs were conducted in triplicate for all parameters with each PM₁₀ run being at least 60 minutes in duration and each PM & Metals run being at least 120 minutes in duration.

6.0 Operating Conditions

The unit was operating at approximately 240 MW with an average heat input rate of approximately 1025 MMBtu/hr while injecting fiber at a flow rate of 3 klbs/hr.

Cedar Bay personnel monitored operating conditions throughout the duration of the sampling program. The daily operations report is included in Appendix 2 "Plant Data".

7.0 Quality Assurance Procedures

Quality assurance procedures followed during these activities were applied and consistent with the requirements outlined by the EPA Methods referenced in CFR 40 Part 60.

All components of the Method 29 sample train consisted of either Borosilicate Glass or Teflon.

APPENDIX 1
REFERENCE DATA

PARTICULATE TEST FIELD DATA SHEET

Client: PG&E
 Plant & Unit: Cedar Bay C
 Method: 29
 Run Number: 1
 Date: 9/3/02
 Sample Location: C Duct
 Operators: SCW

Reference: 1.44
 Bar. Pressure (in.Hg): 29.97
 Static Pressure (H2O): -23.0
 Meter Box #: CAC2
 Ini. Pitot Leak Check: OK @ 5"
 Fin. Pitot Leak Check: OK @ 5"
 Ini. Leak Rate: 0.00@ 15 "
 Fin. Leak Rate: 0.00@ 9 "

Filter #: Q1
 Nozzle #: CAC2
 Nozzle Dia.(in): 0.22
 ^H@ 1.912 Yi 1.0300
 Pitot # CAC2 0.84
 Thermocouple # 10
 Impinger Set: A
 Sample Head: A

POINT #	CLOCK TIME	SAMPLE TIME	DRY GAS VOLUME	VELOCITY	ORIFICE	AVG METER		STACK	IMPINGER	
				HEAD (in H2O)	^H (in H2O)	TEMP (F) IN	TEMP (F) OUT	TEMP (F)	VAC. (IN.HG)	TEMP (F)
			981.396							
A-1	1335	5	983.8	0.55	0.68	100	100	328	5.0	66
2		10	986.9	0.97	1.21	100	100	332	6.0	65
3		15	989.8	0.75	0.94	100	100	332	5.0	65
4		20	992.200	0.70	0.86	100	100	332	5.0	63
B-1		25	996.4	1.10	1.35	102	102	332	7.0	63
2		30	998.7	1.20	1.50	103	103	332	7.0	62
3		35	100.3	1.30	1.60	103	103	332	7.0	61
4		40	1006.900	1.30	1.60	104	104	332	7.0	60
C-1		45	1011.6	1.40	1.75	103	103	333	7.0	60
2		50	1014.9	1.30	1.60	104	104	332	7.0	60
3		55	1018.4	1.30	1.60	104	104	332	7.0	60
4		60	1022.000	1.20	1.50	105	105	334	7.0	60
D-1		65	1025.9	1.30	1.60	106	106	331	7.0	60
2		70	1029.5	1.30	1.60	105	105	332	7.0	60
3		75	1033.4	1.60	1.95	105	105	332	8.0	62
4		80	1037.200	1.50	1.85	106	106	333	8.0	63
E-1		85	1041.0	1.30	1.60	106	106	331	7.0	62
2		90	1044.9	1.50	1.85	107	107	332	7.0	62
3		95	1048.8	1.60	1.95	107	107	333	8.0	62
4		100	1052.600	1.70	2.10	107	107	333	8.0	64
F-1		105	1055.2	1.00	1.22	106	106	332	6.0	65
2		110	1058.4	1.10	1.35	106	106	332	6.0	65
3		115	1061.2	0.98	1.20	105	105	332	6.0	65
4	1535	120	1064.813	1.00	1.22	104	104	332	6.0	66
			83.417	1.090	1.487	104.1	104.1	332.0		
							104.08			

MOISTURE, PARTICULATE CATCH AND DRY MOLECULAR WEIGHT DATA

PLANT: Cedar Bay Boiler C
 DATE: 9/3/02

RUN 1

METHOD 4 MOISTURE DETERMINATION

IMPG SET:	A						
	IMPG.#1	IMPG.#2	IMPG.#3	IMPG.#4	IMPG.#5	IMPG.#6	WT. BY
FINAL WT.	860.8	718.3	592.9	716.2	721.9	820	SCW
INITIAL WT.	716.9	696.2	589.2	713.8	719.1	799.4	SCW
NET WT.	143.9	22.1	3.7	2.4	2.8	20.6	SCW
TOTAL WT.	195.5	note: all weights in grams					

PARTICULATE FILTER CATCH

FILTER #	Q1	BY	BEAKER #	1	BY
FINAL WT.	1.7973	SCW	FINAL WT.	72.9396	SCW
INITIAL WT.	1.7929	SCW	INITIAL WT.	72.9372	SCW
NET WT.	0.0044	SCW	NET WT.	0.0024	SCW
			TOTAL CATCH (grams)	0.0068	
			TOTAL CATCH (mg)	6.8	

DRY MOLECULAR WEIGHT

GAS	1	2	3	AVG	Fo: 1.122
CO2	13.1	13.1	13.1	13.1	ALLOWED Fo RANGE OIL: 1.210 TO 1.370 COAL: 1.083 TO 1.230
O2+CO2	19.3	19.3	19.3	——	
O2	6.2	6.2	6.2	6.2	

4 MINUTE ORSAT ANALYZER CHECK

	BEFORE	AFTER	
BURETTE MENISCUS READING:	15	15	<0.2 ? YES
CO2 CAPILLARY TUBE LEVEL:	OK	OK	
O2 CAPILLARY TUBE LEVEL:	OK	OK	

PARTICULATE TEST FIELD DATA SHEET

Client: PG&E
Plant & Unit: Cedar Bay C

Method: 29
Run Number: 2
Date: 9/4/02
Sample Location: C Duct
Operators: SCW

Reference: 1.48
Bar. Pressure (in.Hg): 29.95
Static Pressure (H2O): -20.5
Meter Box #: CAC2
Ini. Pitot Leak Check: OK @ 4"
Fin. Pitot Leak Check: OK @ 5"
Ini. Leak Rate:0.00@ 15 "
Fin. Leak Rate:0.00@ 11 "

Filter #: Q2
Nozzle #: CAC2
Nozzle Diam.(in): 0.22
^H@ 1.912 Yi 1.0300
Pitot # CAC2 0.84
Thermocouple # 10
Impinger Set: B
Sample Head: A

POINT #	CLOCK TIME	SAMPLE TIME	DRY GAS VOLUME	VELOCITY	ORIFICE	AVG METER		STACK	IMPINGER	
				HEAD (in H2O)	^H (in H2O)	TEMP (F) IN	TEMP (F) OUT	TEMP (F)	VAC. (IN.HG)	TEMP (F)
			66.896							
A-1	818	5	66.9	0.60	0.90	83	83	325	5.0	65
2		10	72.8	0.85	1.25	83	83	325	6.0	65
3		15	76.2	0.95	1.40	84	84	325	7.0	64
4		20	79.200	0.80	1.18	85	85	325	6.0	64
B-1		25	82.1	1.00	1.48	86	86	326	7.0	64
2		30	85.4	1.00	1.48	87	87	328	7.0	63
3		35	89.1	1.20	1.88	88	88	327	7.0	63
4		40	92.825	1.30	1.92	89	89	327	7.0	62
C-1		45	96.9	1.50	2.22	90	90	328	9.0	62
2		50	100.9	1.40	2.10	91	91	327	9.0	63
3		55	105.0	1.50	2.22	91	91	329	9.0	62
4		60	108.822	1.50	2.22	92	92	328	9.0	63
D-1		65	112.9	1.60	2.35	93	93	329	9.0	63
2		70	117.1	1.60	2.35	93	93	329	9.0	62
3		75	121.1	1.50	2.22	93	93	328	9.0	61
4		80	125.352	1.30	1.92	93	93	328	8.0	60
E-1		85	129.8	1.50	2.22	92	92	328	8.0	59
2		90	133.6	1.70	2.50	91	91	327	10.0	60
3		95	138.0	1.70	2.50	91	91	327	10.0	60
4		100	142.448	1.50	2.22	92	92	328	9.0	61
F-1		105	146.3	1.40	2.10	94	94	328	9.0	61
2		110	150.3	1.30	1.92	95	95	328	8.0	62
3		115	154.0	1.20	1.88	97	97	328	8.0	63
4	1018	120	157.225	1.00	1.48	98	98	328	7.0	63
			90.329	1.126	1.932	90.5	90.5	327.3		
							90.46			

MOISTURE, PARTICULATE CATCH AND DRY MOLECULAR WEIGHT DATA

PLANT: Cedar Bay Boiler C

RUN 2

DATE: 9/3/02

METHOD 4 MOISTURE DETERMINATION

IMPG SET:	B						
	IMPG.#1	IMPG.#2	IMPG.#3	IMPG.#4	IMPG.#5	IMPG.#6	WT. BY
FINAL WT.	885.1	698.3	597.5	702.9	718.6	839.2	SCW
INITIAL WT.	712.0	684.0	594.8	702.9	717.2	820	SCW
NET WT.	173.1	14.3	2.7	0.0	1.4	19.2	SCW
TOTAL WT.	210.7	note: all weights in grams					

PARTICULATE FILTER CATCH

FILTER #	Q2	BY	BEAKER #	2	BY
FINAL WT.	1.8532	SCW	FINAL WT.	73.0556	SCW
INITIAL WT.	1.8463	SCW	INITIAL WT.	73.0535	SCW
NET WT.	0.0069	SCW	NET WT.	0.0021	SCW
TOTAL CATCH (grams)			0.0090		
TOTAL CATCH (mg)			9		

DRY MOLECULAR WEIGHT

GAS	1	2	3	AVG	Fo: 1.121
CO2	13.2	13.2	13.2	13.2	ALLOWED Fo RANGE OIL: 1.210 TO 1.370 COAL: 1.083 TO 1.230
O2+CO2	19.3	19.3	19.3	——	
O2	6.1	6.1	6.1	6.1	

4 MINUTE ORSAT ANALYZER CHECK

	BEFORE	AFTER	
BURETTE MENISCUS READING:	15	15	<0.2 ? YES
CO2 CAPILLARY TUBE LEVEL:	OK	OK	
O2 CAPILLARY TUBE LEVEL:	OK	OK	

PARTICULATE TEST FIELD DATA SHEET

Client: PG&E
 Plant & Unit: Cedar Bay C
 Method: 29
 Run Number: 3
 Date: 9/4/02
 Sample Location: C Duct
 Operators: SCW

Reference: 1.45
 Bar. Pressure (in.Hg): 29.95
 Static Pressure (H2O): -20.0
 Meter Box #: CAC2
 Ini. Pitot Leak Check: OK @ 5"
 Fin. Pitot Leak Check: OK @ 4"
 Ini. Leak Rate:0.00@ 15 "
 Fin. Leak Rate:0.00@ 10 "

Filter #: Q3
 Nozzle #: CAC3
 Nozzle Diam.(in): 0.22
 ^H@ 1.912 Yi 1.0300
 Pitot # CAC2 0.84
 Thermocouple # 10
 Impinger Set: C
 Sample Head: A

POINT #	CLOCK TIME	SAMPLE TIME	DRY GAS VOLUME	VELOCITY	ORIFICE	AVG METER		STACK	VAC.	IMPINGER
				HEAD (in H2O)	"H (in H2O)	TEMP (F) IN	TEMP (F) OUT	TEMP (F)	(IN.HG)	TEMP (F)
			158.144							
A-1	1115	5	160.9	0.75	1.10	98	98	330	6.0	66
2		10	164.1	0.75	1.10	98	98	330	6.0	66
3		15	167.2	0.88	1.30	99	99	330	6.0	65
4		20	170.583	0.90	1.35	98	98	330	6.0	64
B-1		25	171.1	1.30	1.90	99	99	330	8.0	64
2		30	177.7	1.20	1.78	99	99	331	8.0	64
3		35	181.7	1.30	1.90	100	100	331	8.0	64
4		40	185.600	1.30	1.90	100	100	331	8.0	65
C-1		45	189.5	1.20	1.78	101	101	331	8.0	65
2		50	193.3	1.40	2.10	101	101	331	9.0	65
3		55	197.3	1.50	2.22	102	102	331	9.0	65
4		60	200.985	1.20	1.78	102	102	331	8.0	65
D-1		65	204.9	1.40	2.10	103	103	330	9.0	65
2		70	209.1	1.30	1.90	104	104	330	9.0	65
3		75	212.5	1.30	1.90	105	105	330	9.0	65
4		80	215.918	1.30	1.90	105	105	330	9.0	65
E-1		85	219.9	1.50	2.22	104	104	330	9.0	64
2		90	224.0	1.50	2.22	104	104	328	9.0	64
3		95	228.1	1.40	2.10	104	104	327	9.0	64
4		100	232.052	1.40	2.10	104	104	327	9.0	62
F-1		105	235.9	1.50	2.35	105	105	327	9.0	61
2		110	240.5	1.50	2.35	106	106	327	9.0	60
3		115	244.9	1.40	2.10	106	106	327	9.0	60
4	1315	120	249.225	1.40	2.10	106	106	327	9.0	60

91.081	1.124	1.898	102.2	102.2	329.5
				102.21	

MOISTURE, PARTICULATE CATCH AND DRY MOLECULAR WEIGHT DATA

PLANT: Cedar Bay Boiler C

RUN 3

DATE: 9/4/02

METHOD 4 MOISTURE DETERMINATION

IMPG SET:	C						
	IMPG.#1	IMPG.#2	IMPG.#3	IMPG.#4	IMPG.#5	IMPG.#6	WT. BY
FINAL WT.	858.5	700.8	523.3	624.8	696.2	904.9	SCW
INITIAL WT.	697.5	681.2	519.7	624.0	695.7	883.7	SCW
NET WT.	161.0	19.6	3.6	0.8	0.5	21.2	SCW
TOTAL WT.	206.7	note: all weights in grams					

PARTICULATE FILTER CATCH

FILTER #	Q3	BY	BEAKER #	3	BY
FINAL WT.	1.8492	SCW	FINAL WT.	73.2779	SCW
INITIAL WT.	1.8451	SCW	INITIAL WT.	73.2761	SCW
NET WT.	0.0041	SCW	NET WT.	0.0018	SCW
TOTAL CATCH (grams)			0.0059		
TOTAL CATCH (mg)			5.9		

DRY MOLECULAR WEIGHT

GAS	1	2	3	AVG	Fo: 1.120
CO2	13.3	13.3	13.3	13.3	ALLOWED Fo RANGE OIL: 1.210 TO 1.370 COAL: 1.083 TO 1.230
O2+CO2	19.3	19.3	19.3	—	
O2	6.0	6.0	6.0	6.0	

4 MINUTE ORSAT ANALYZER CHECK

	BEFORE	AFTER	
BURETTE MENISCUS READING:	15	15	<0.2 ? YES
CO2 CAPILLARY TUBE LEVEL:	OK	OK	
O2 CAPILLARY TUBE LEVEL:	OK	OK	

Coastal Air Consulting, Inc.
Isokinetic Sampling Analysis

Client: PG&E
Plant: CedarBay
Unit Tested: C Boiler
Sampling Location: Duct

Test: PM10 - Method 201A
Date: 9/3/2002
Start: 13:36
End: 14:37

Run No: 1
Nozzle Diameter: 0.164 Dn
Barometric Pressure: 29.97 Pb
Gas Meter Y-Factor: 1.01 Yi
Pitot Coefficient: 0.84 Cp

Stack Diameter: 126.6X109 in
Stack Area: 13,799.4 As
Volume of Moisture: 66.4 VW

SAMPLE POINT	DWELL TIME	GAS METER	VELOCITY HEAD	STACK TEMP F	METER IN F	TEMPERATURE OUT F	PM ORIFICE	CO2	O2	STATIC PRESSURE	VEL	
A-1	2.27	405.822	0.70	328	98	98	0.53	13.1	6.2		3,527	
4.6	2	2.35	407.23	0.75	328	99	99	0.53			3,651	
7.0	3	2.35	408.5	0.75	329	99	99	0.53		-23.0	3,653	
9.5	4	2.50	410.01	0.85	331	99	99	0.53			3,894	
B-1	2.84	411.020	1.10	328	100	100	0.53				4,421	
5.8	2	2.97	412.4	1.20	330	101	101	0.53			4,624	
8.9	3	3.09	413.6	1.30	332	101	101	0.53			4,818	
12.0	4	3.09	414.7	1.30	333	102	102	0.53			4,821	
C-1	3.21	416.050	1.40	330	102	102	0.53				4,994	
6.3	2	3.09	417.36	1.30	331	102	102	0.53			4,815	
9.4	3	3.09	418.9	1.30	331	102	102	0.53			4,815	
12.6	4	3.21	420.21	1.40	332	104	104	0.53			5,000	
D-1	3.21	421.630	1.40	330	104	104	0.53				4,994	
6.4	2	3.21	422.9	1.40	331	104	104	0.53			4,997	
9.6	3	3.21	424.37	1.40	332	104	104	0.53			5,000	
12.9	4	3.32	425.74	1.50	332	104	104	0.53			5,176	
E-1	3.09	426.970	1.30	329	104	104	0.53				4,809	
6.4	2	3.32	427.98	1.50	329	104	104	0.53			5,166	
9.6	3	3.21	429.1	1.40	331	104	104	0.53			4,997	
12.8	4	3.21	430.4	1.40	332	104	104	0.53			5,000	
F-1	2.71	431.840	1.00	333	104	104	0.53				4,229	
5.4	2	2.71	433.17	1.00	332	104	104	0.53			4,226	
8.0	3	2.60	434.5	0.92	333	104	104	0.53			4,056	
10.7	4	2.64	435.72	0.95	332	104	104	0.53			4,119	
		437.353										

RESULTS	TT	VM	SQRT PIT	TS	TM	PM	CO2	O2	Pst	VEL
	70.5	31.531	1.083	331	101	0.530	13.1	6.2	-23.00	4,575
	net	net	avg	avg	avg	avg	avg	avg	avg	avg

PS= 28.28 VMSTD= 28.414 VWGAS= 3.127 %M= 9.9 Bws= 0.099
MD= 0.90 MWD= 30.34 MW= 29.12 PS= 28.28

STACK GAS VELOCITY = 76.3 AFPS	EMISSIONS PM10
STACK GAS VELOCITY = 4,575 AFPM	WEIGHT,mg = 1.9
STACK GAS VOLUME = 250,161 DSCFM	GR/DSCF = 0.001
STACK GAS VOLUME = 440,071 ACFM	LBS/MMBTU = 0.002
ISOKINETIC RATIO = 105.0 %	LBS/HR = 2.2
CYCLONE FLOW RATE = 0.71 CFM	
GAS VISCOSITY = 233.11 micropoise	
CYCLONE CUT SIZE (D50) = 9.43 um	

MOISTURE, PARTICULATE CATCH AND DRY MOLECULAR WEIGHT DATA

PLANT: Cedar Bay Boiler C
 DATE: 3/14/02

RUN 1
 PM₁₀

METHOD 4 MOISTURE DETERMINATION

IMPG SET	D				
	IMPG.#1	IMPG.#2	IMPG.#3	IMPG.#4	WT. BY
FINAL WT.	737.1	697.2	582.0	928.3	SCW
INITIAL WT.	689.4	692.3	578.2	918.3	SCW
NET WT.	47.7	4.9	3.8	10.0	SCW
TOTAL WT.	66.4	note: all weights in grams			

PARTICULATE FILTER CATCH

FILTER #	542	BY	BEAKER #	4	BY
FINAL WT.	0.1126	SCW	FINAL WT.	72.5479	SCW
INITIAL WT.	0.1118	SCW	INITIAL WT.	72.5468	SCW
NET WT.	0.0008	SCW	NET WT.	0.0011	SCW
TOTAL CATCH (grams)			0.0019		
TOTAL CATCH (mg)			1.9		

DRY MOLECULAR WEIGHT

GAS	1	2	3	AVG	Fo: 1.122
CO2	13.1	13.1	13.1	13.1	ALLOWED Fo RANGE OIL: 1.210 TO 1.370 COAL: 1.083 TO 1.230
O2+CO2	19.3	19.3	19.3	—	
O2	6.2	6.2	6.2	6.2	

4 MINUTE ORSAT ANALYZER CHECK

	BEFORE	AFTER	
BURETTE MENISCUS READING:	15	15	<0.2 ? YES
CO2 CAPILLARY TUBE LEVEL:	OK	OK	
O2 CAPILLARY TUBE LEVEL:	OK	OK	

MOISTURE, PARTICULATE CATCH AND DRY MOLECULAR WEIGHT DATA

PLANT: Cedar Bay Boiler C
 DATE: 3/14/02

RUN 2
 PM₁₀

METHOD 4 MOISTURE DETERMINATION

IMPG SET	D				
	IMPG.#1	IMPG.#2	IMPG.#3	IMPG.#4	WT. BY
FINAL WT.	755.2	699.1	583.1	934.6	SCW
INITIAL WT.	707.1	694.1	582.0	928.3	SCW
NET WT.	48.1	5.0	1.1	6.3	SCW
TOTAL WT.	60.5	note: all weights in grams			

PARTICULATE FILTER CATCH

FILTER #	541	BY	SCW	BEAKER #	5	BY	SCW
FINAL WT.	0.1129	SCW	FINAL WT.	72.3220	SCW		
INITIAL WT.	0.1119	SCW	INITIAL WT.	72.3210	SCW		
NET WT.	0.0010	SCW	NET WT.	0.0010	SCW		
TOTAL CATCH (grams)			0.0020				
TOTAL CATCH (mg)			2.0				

DRY MOLECULAR WEIGHT

GAS	1	2	3	AVG	Fo: 1.121
CO ₂	13.2	13.2	13.2	13.2	ALLOWED Fo RANGE OIL: 1.210 TO 1.370 COAL: 1.083 TO 1.230
O ₂ +CO ₂	19.3	19.3	19.3	—	
O ₂	6.1	6.1	6.1	6.1	

4 MINUTE ORSAT ANALYZER CHECK

	BEFORE	AFTER	
BURETTE MENISCUS READING:	15	15	<0.2 ? YES
CO ₂ CAPILLARY TUBE LEVEL:	OK	OK	
O ₂ CAPILLARY TUBE LEVEL:	OK	OK	

Coastal Air Consulting, Inc.
Isokinetic Sampling Analysis

Client: PG&E
Plant: CedarBay
Unit Tested: C Boiler
Sampling Location: Duct

Test: PM10 - Method 201A
Date: 9/4/2002
Start: 11:20
End: 12:31

Run No: 3
Nozzle Diameter: 0.164 Dn
Barometric Pressure: 29.95 Pb
Gas Meter Y-Factor: 1.01 Yi
Pitot Coefficient: 0.84 Cp

Stack Diameter: 126.6X109 in
Stack Area: 13,799.4 As
Volume of Moisture: 65.7 VW

SAMPLE POINT	DWELL TIME	GAS METER	VELOCITY HEAD	STACK TEMP F	METER IN F	TEMPERATURE OUT F	PM ORIFICE	CO2	O2	STATIC PRESSURE	VEL
4.6	2	467.538	0.70	330	90	90	0.53	13.3	6.0		3,518
7.0	3	468.84	0.75	330	91	91	0.53				3,642
9.5	4	470.0	0.75	330	92	92	0.53			-20.0	3,642
	2	471.02	0.85	331	93	93	0.53				3,880
5.8	2	472.270	1.10	330	93	93	0.53				4,411
8.9	3	473.4	1.20	330	95	95	0.53				4,607
12.0	4	474.6	1.30	330	95	95	0.53				4,795
	2	475.7	1.30	329	96	96	0.53				4,792
6.3	2	477.060	1.40	329	96	96	0.53				4,973
9.4	3	478.26	1.30	330	96	96	0.53				4,795
12.6	4	479.6	1.30	331	97	97	0.53				4,798
	2	480.78	1.40	330	97	97	0.53				4,976
6.4	2	482.200	1.40	330	98	98	0.53				4,976
9.6	3	483.6	1.40	330	98	98	0.53				4,976
12.9	4	484.76	1.40	331	98	98	0.53				4,979
	2	486.18	1.50	331	98	98	0.53				5,154
6.4	2	487.490	1.30	330	99	99	0.53				4,795
9.6	3	488.78	1.50	330	99	99	0.53				5,150
12.8	4	490.1	1.40	331	99	99	0.53				4,979
	2	491.2	1.40	331	100	100	0.53				4,979
5.4	2	492.560	1.00	331	101	101	0.53				4,208
8.0	3	493.81	1.00	331	100	100	0.53				4,208
10.7	4	495.1	0.92	331	101	101	0.53				4,036
	2	496.42	0.95	331	101	101	0.53				4,101
		497.901									

RESULTS	TT	VM	SQRT PIT	TS	TM	PM	CO2	O2	Pst	VEL
	70.5	30.363	1.083	330	97	0.530	13.3	6.0	-20.00	4,557
	net	net	avg	avg	avg	avg	avg	avg	avg	avg

PS= 28.48 VMSTD= 27.752 VWGAS= 3.094 %M= 10.0 Bws= 0.100
MD= 0.90 MWD= 30.37 MW= 29.13 PS= 28.48

STACK GAS VELOCITY = 75.9 AFPS	EMISSIONS PM10
STACK GAS VELOCITY = 4,557 AFPM	WEIGHT,mg = 1.7
STACK GAS VOLUME = 250,754 DSCFM	GR/DSCF = 0.001
STACK GAS VOLUME = 438,321 ACFM	LBS/MMBTU = 0.002
ISOKINETIC RATIO = 102.3 %	LBS/HR = 2.0
CYCLONE FLOW RATE = 0.69 CFM	
GAS VISCOSITY = 232.89 micropoise	
CYCLONE CUT SIZE (D50) = 9.61 um	

MOISTURE, PARTICULATE CATCH AND DRY MOLECULAR WEIGHT DATA

PLANT: Cedar Bay Boiler C
 DATE: 3/14/02

RUN 3
 PM₁₀

METHOD 4 MOISTURE DETERMINATION

IMPG SET	D				
	IMPG.#1	IMPG.#2	IMPG.#3	IMPG.#4	WT. BY
FINAL WT.	800.0	708.3	586.8	942.6	SCW
INITIAL WT.	755.2	699.1	583.1	934.6	SCW
NET WT.	44.8	9.2	3.7	8.0	SCW
TOTAL WT.	65.7	note: all weights in grams			

PARTICULATE FILTER CATCH

FILTER #	547	BY	BEAKER #	6	BY
FINAL WT.	0.1113	SCW	FINAL WT.	72.5302	SCW
INITIAL WT.	0.1101	SCW	INITIAL WT.	72.5297	SCW
NET WT.	0.0012	SCW	NET WT.	0.0005	SCW
TOTAL CATCH (grams)			0.0017		
TOTAL CATCH (mg)			1.7		

DRY MOLECULAR WEIGHT

GAS	1	2	3	AVG	F_o: 1.120
CO ₂	13.3	13.3	13.3	13.3	ALLOWED F_o RANGE OIL: 1.210 TO 1.370 COAL: 1.083 TO 1.230
O ₂ +CO ₂	19.3	19.3	19.3	---	
O ₂	6.0	6.0	6.0	6.0	

4 MINUTE ORSAT ANALYZER CHECK

	BEFORE	AFTER	
BURETTE MENISCUS READING:	15	15	<0.2 ? YES
CO ₂ CAPILLARY TUBE LEVEL:	OK	OK	
O ₂ CAPILLARY TUBE LEVEL:	OK	OK	

**APPENDIX 2
PLANT DATA**

Cedar Bay Generating
 Jacksonville, FLA
Boiler 1-C Daily Operations Report
 September 3, 2002

Operational Limits
 Oil Heat Input - 380 mmBtu/hr
 Total Heat Input - 1169 mmBtu/hr
 SO2 Reduction - 80%

Hour	Oil Flow gallons	Fiber Flow klbs	Coal Flow klbs	Steam Flow klbs	Limestone klbs	Oil Heat Input mmBtu	Total Heat Input mmBtu	Megawatts	SO2 Inlet lb/mmBtu	SO2 Reduction %
00	Down	3.00	84.4	749.0	12.7	Down	1074.2	250.2	1.383	90.3
01	Down	3.00	84.1	748.0	6.8	Down	1070.4	250.1	1.383	89.4
02	Down	3.00	84.0	745.0	8.3	Down	1069.2	250.3	1.383	86.0
03	Down	3.00	84.0	746.0	12.1	Down	1069.2	250.2	1.383	88.1
04	Down	3.00	84.0	742.0	5.9	Down	1069.2	250.6	1.383	92.6
05	Down	3.00	84.0	744.0	4.8	Down	1069.2	249.9	1.383	87.1
06	Down	3.00	84.5	742.0	6.6	Down	1075.5	249.7	1.383	86.1
07	Down	3.00	85.7	750.0	7.4	Down	1090.8	250.4	1.383	85.0
08	Down	3.00	85.8	744.0	12.1	Down	1092.1	250.2	1.383	82.3
09	Down	3.00	85.5	747.0	10.6	Down	1088.2	250.6	1.383	90.8
10	Down	3.00	85.5	753.0	8.6	Down	1088.2	250.5	1.383	85.6
11	Down	3.00	86.9	767.0	13.6	Down	1106.1	254.6	1.383	83.0
12	Down	3.00	86.4	771.0	16.1	Down	1099.7	255.8	1.383	85.4
13	Down	3.00	86.4	773.0	10.2	Down	1036.8	256.1	1.833	92.7
14	Down	3.00	86.4	774.0	8.5	Down	1036.8	255.7	1.833	90.0
15	Down	3.00	86.4	766.0	10.3	Down	1036.8	246.3	1.833	88.9
16	Down	3.00	82.3	708.0	11.5	Down	987.6	234.8	1.833	86.9
17	Down	3.00	77.9	664.0	16.4	Down	934.8	235.5	1.833	90.3
18	Down	3.00	77.8	672.0	16.3	Down	933.6	237.9	1.833	94.9
19	Down	3.00	77.9	675.0	9.5	Down	934.8	240.0	1.833	97.8
20	Down	3.00	77.8	688.0	4.0	Down	933.6	243.5	1.833	98.9
21	Down	3.00	77.8	686.0	4.0	Down	933.6	237.8	1.833	99.1
22	Down	3.00	79.3	693.0	4.0	Down	951.6	238.7	1.833	97.3
23	Down	3.00	81.3	714.0	4.0	Down	975.6	241.6	1.833	93.4
Average	Down	3.0	83.3	731.7	9.3	Down	1031.6	247.1	1.589	90.1
Total	Down	72.0	1996.1	16154.0	216.3	Down	24757.6	5931.0		88.0
30-Day Rlg Avg										

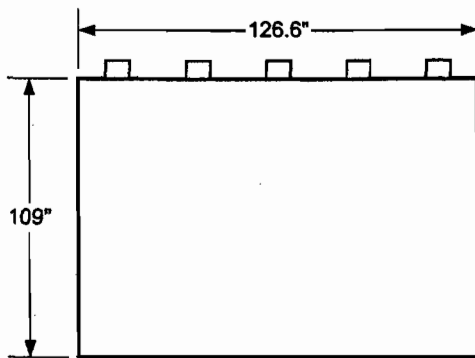
Cedar Bay Generating
 Jacksonville, FLA
Boiler 1-C Daily Operations Report
 September 4, 2002

Hour	Oil Flow gallons	Operational Limits				Oil Heat Input mmBtu	Total Heat Input mmBtu	Megawatts	SO2 Inlet lb/mmBtu	SO2 Reduction %
		Fiber Flow klbs	Coal Flow klbs	Steam Flow klbs	Limestone klbs					
00	Down	Down	82.0	721	4.83	Down	1036.2	230.7	1.345	82.9
01	Down	Down	82.0	716	12.25	Down	1036.2	233.8	1.345	87.1
02	Down	Down	76.4	677	7.02	Down	965.4	217.4	1.345	93.7
03	Down	Down	71.0	612	4.00	Down	897.2	185.5	1.345	98.4
04	Down	Down	78.7	680	7.08	Down	994.5	213.4	1.345	86.2
05	Down	Down	82.6	721	13.62	Down	1043.7	227.3	1.345	89.1
06	Down	Down	84.0	744	12.02	Down	1061.4	235.7	1.345	87.7
07	Down	Down	84.0	752	16.02	Down	1061.4	241.5	1.345	88.0
08	Down	3.00	84.0	756	10.94	Down	1061.4	231.2	1.345	91.3
09	Down	2.46	84.4	757	7.44	Down	1071.5	231.5	1.340	86.2
10	Down	3.00	84.9	754	15.96	Down	1078.9	230.6	1.338	86.8
11	Down	3.00	84.9	757	14.91	Down	1078.9	236.2	1.338	86.4
12	Down	3.00	84.5	761	11.58	Down	1073.8	238.2	1.338	89.5
13	Down	3.00	82.4	750	5.52	Down	994.9	235.3	1.823	95.2
14	Down	3.00	84.6	763	12.65	Down	1021.3	244.1	1.823	87.6
15	Down	3.00	84.9	771	14.98	Down	1024.9	246.6	1.823	90.2
16	Down	3.00	84.9	775	16.05	Down	1024.9	250.0	1.823	86.7
17	Down	3.00	84.9	773	16.16	Down	1024.9	251.6	1.823	88.9
18	Down	3.00	84.6	778	16.13	Down	1021.3	252.7	1.823	81.8
19	Down	3.00	83.2	770	14.26	Down	1004.5	252.6	1.823	90.3
20	Down	3.00	82.4	764	6.38	Down	994.9	249.9	1.823	94.7
21	Down	3.00	80.4	747	4.00	Down	970.9	244.2	1.822	95.0
22	Down	3.00	78.1	719	4.00	Down	943.3	235.3	1.822	94.2
23	Down	3.00	78.1	715	4.00	Down	943.3	234.8	1.822	94.1
Average	Down	2.96	82.2	739	10.49	Down	1017.9	235	1.563	90
Total	Down	47.46	1971.9	17733	251.80	Down	24429.6	5650		88.0
30-Day Rtg Avg										

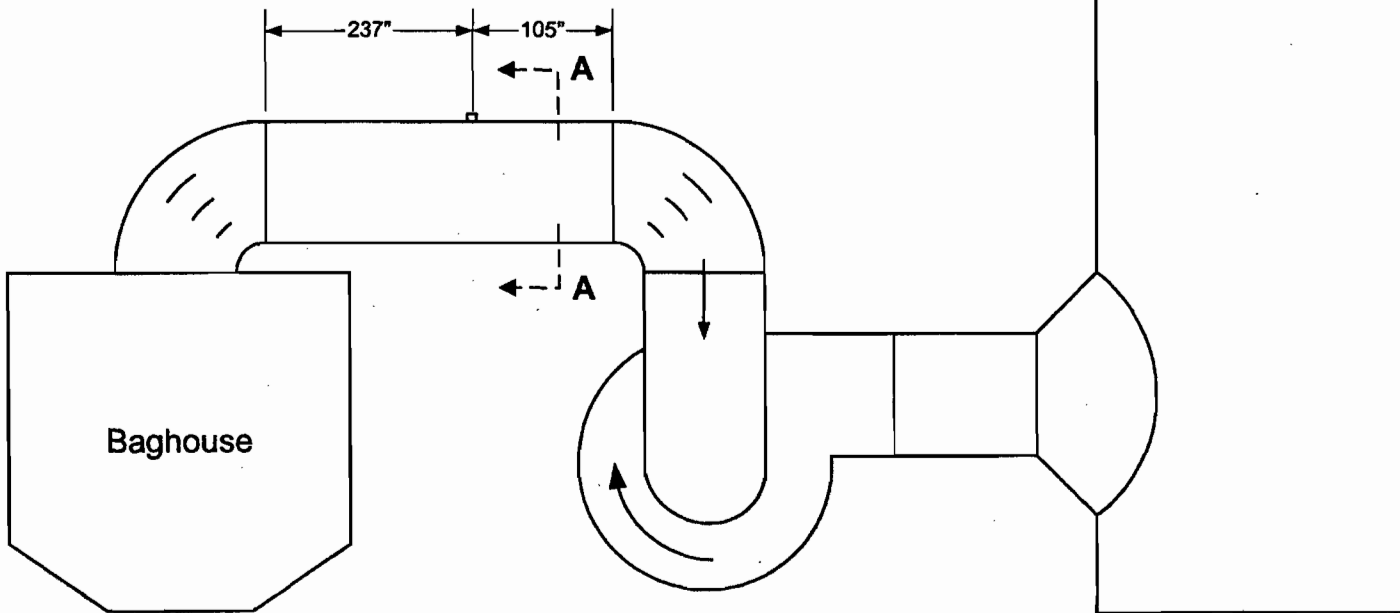
APPENDIX 3
FIGURES

TRAVERSE POINTS

- 1. 13.63"
- 2. 40.86"
- 3. 68.13"
- 4. 95.38"

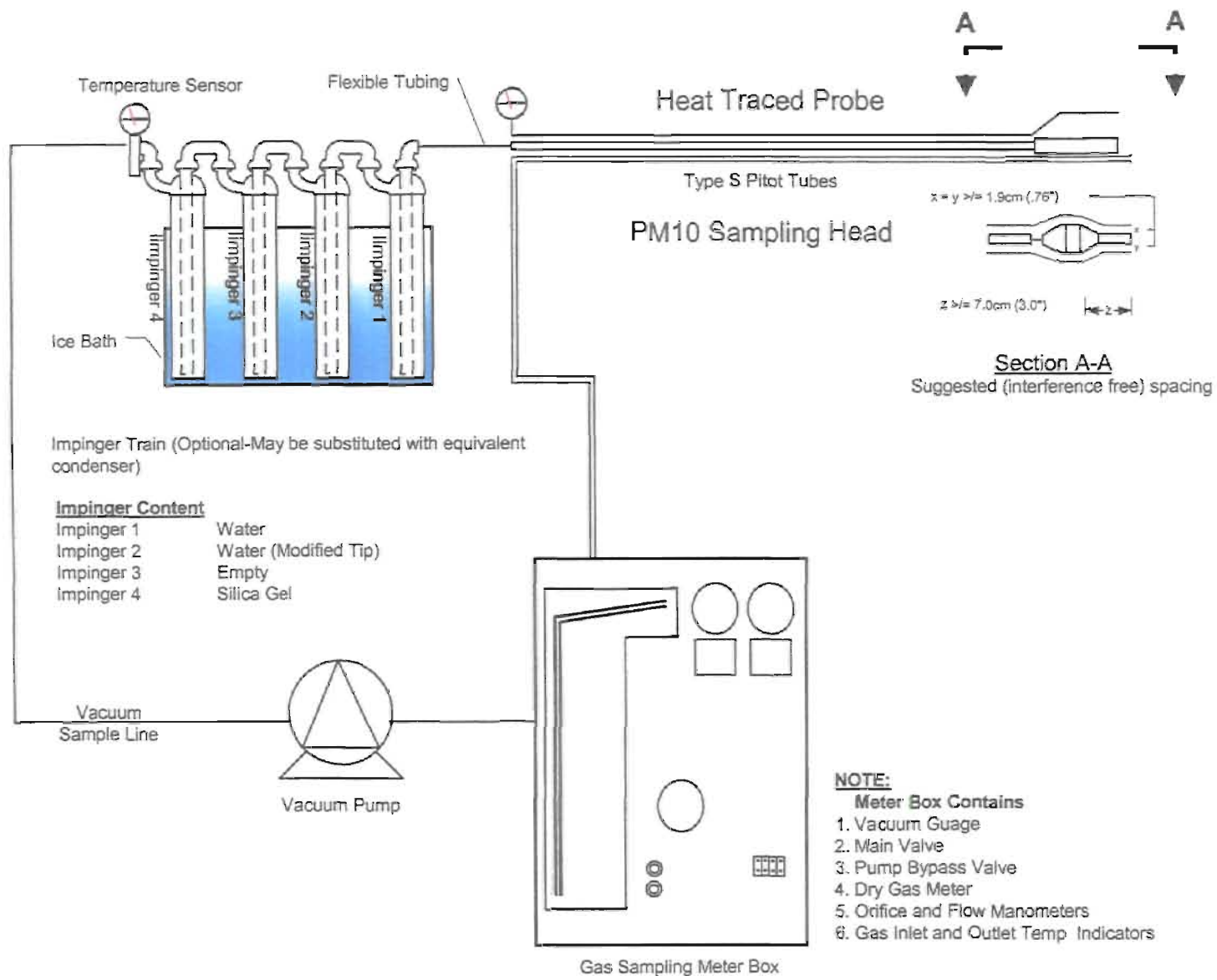


Section A-A



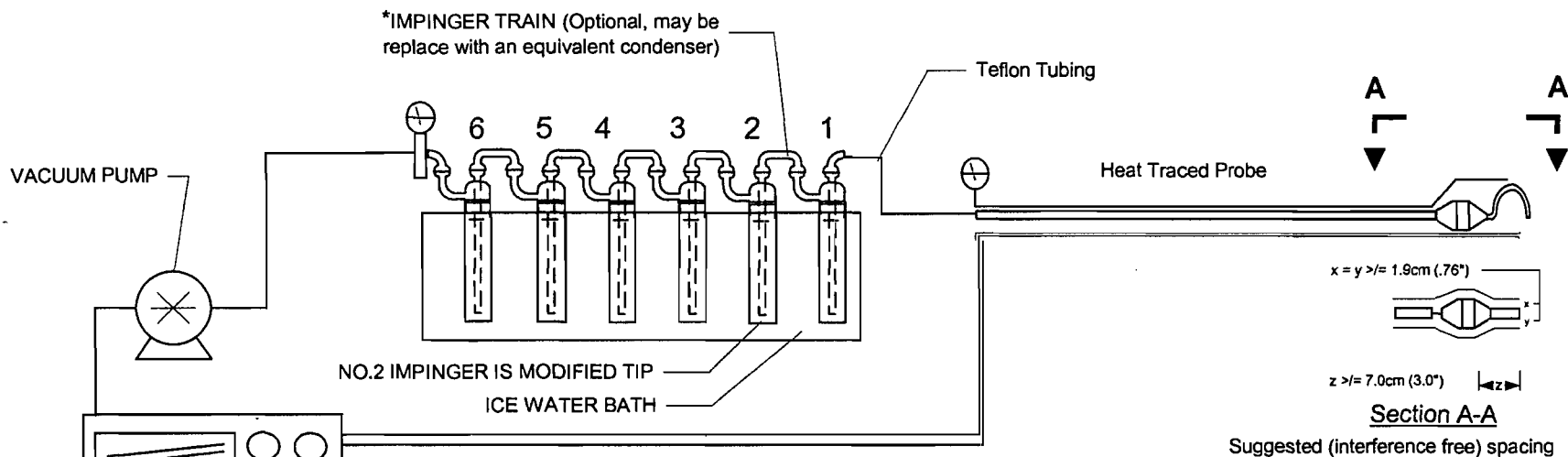
DRAWN BY R F Cobb	TITLE PG&E Cedar Bay Plant	SCALE NONE
	DESCRIPTION Boiler A, B, & C Test Arrangement	
DATE 4/12/02		

Coastal Air Consulting, Inc
 1531 Wyngate Drive, Deland FL
 (386) 943-9241 Fax (386) 943-9212



Coastal Air Consulting, Inc
 1531 Wyrigate Drive, Deland FL
 (386) 943-9241 Fax (386) 943-9212

DRAWN BY R F Cobb	TITLE EPA Method 210A Sample Train
	DESCRIPTION PM10
DATE 4/12/02	SCALE NONE



NOTE:

METER BOX CONTAINS:

1. VACUUM GAUGE
2. MAIN VALVE
3. PUMP BY-PASS VALVE
4. DRY GAS METER
5. ORIFICE & FLOW MANOMETERS
6. GAS INLET & OUTLET TEMPERATURE SENSORS AND INDICATORS

***IMPINGER CONTENTS**

- | | |
|-----|--------------------------------------|
| 1&2 | $\text{NH}_3 / \text{H}_2\text{O}_2$ |
| 3 | Empty |
| 4&5 | KMnO_4 |
| 6 | Silica Gel |

GAS SAMPLING METER BOX

Coastal Air Consulting, Inc
 1531 Wyngate Drive, Deland FL
 (386) 943-9241 Fax (386) 943 9212

DRAWN BY R F Cobb	TITLE EPA Method 29 Sample Train
	DESCRIPTION MULTIPLE METALS SAMPLING CONFIGURATION
DATE	SCALE NONE

**APPENDIX 4
LAB ANALYSIS**

OXFORD LABORATORIES

Division of Tritest

Analytical and Consulting Chemists
 1316 South Fifth Street
 Wilmington, N.C. 28401
 (910) 763-9793
 Fax (910) 343-9688

DATE RECEIVED 09-10-02
 DATE REPORTED 09-30-02
 02T9313

PAGE 1 OF 6

COASTAL AIR CONSULTING INC.
 1531 WYNGATE DR.
 DELAND, FL 32724

P.O. # CREDIT CARD

ATTENTION: STEPHEN WEBB

SAMPLE DESCRIPTION: METHOD 29 + Hg 9-10-02

1. RUN 1
2. RUN 2
3. RUN 2 DUPLICATE
4. RUN 3
5. RUN 3 MATRIX SPIKE
6. REAGENT BLANK

RESULTS

	<u>1</u>	<u>2</u>	<u>3</u>	<u>4</u>	<u>5</u>	<u>6</u>
Beryllium, as Be, Total ug	<.100	<.100	<.100	<.100	108%	<.100
Lead, as Pb, Total ug	2.00	1.90	1.82	3.14	108%	1.05

OXFORD LABORATORIES

Division of Tritest

Analytical and Consulting Chemists
 1316 South Fifth Street
 Wilmington, N.C. 28401
 (910) 763-9793
 Fax (910) 343-9688

DATE RECEIVED 09-10-02
 DATE REPORTED 09-30-02
 02T9313

PAGE 3 OF 6

COASTAL AIR CONSULTING INC.
 1531 WYNGATE DR.
 DELAND, FL 32724

P.O. # CREDIT CARD

ATTENTION: STEPHEN WEBB

SAMPLE DESCRIPTION: METHOD 29 + Hg 9-10-02

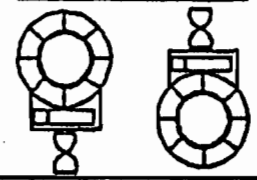
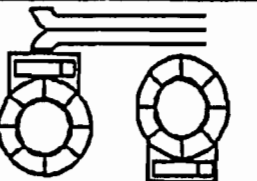
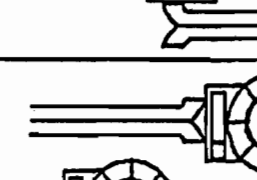
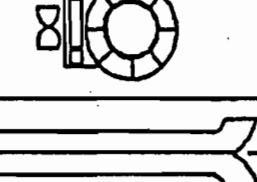
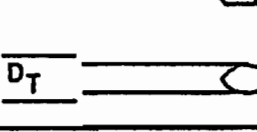
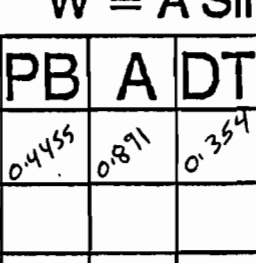
1. RUN 1
2. RUN 2
3. RUN 2 DUPLICATE
4. RUN 3
5. RUN 3 MATRIX SPIKE
6. REAGENT BLANK

RESULTS

	<u>1</u>	<u>2</u>	<u>3</u>	<u>4</u>	<u>5</u>	<u>6</u>
RESULTS FOR MERCURY TOTAL UG						
Mercury, Front 1/2, Total ug	<.200	<.200	X	<.200	102%	<.200
Mercury, Front 1/2, Total ug	<.200	<.200	X	<.200	X	<.200
Mercury, Back 1/2, Total ug	<.890	<.960	X	<.960	103%	<.600
Mercury, Back 1/2, Total ug	<.890	<.960	X	<.960	X	<.600
Mercury, HN03, Total ug	<.400	<.400	X	<.400	103%	<.200
Mercury, HN03, Total ug	<.400	<.400	X	<.400	X	<.200
Mercury, KMn04, Total ug	<1.00	<1.00	X	<1.00	100%	<.600
Mercury, KMn04, Total ug	<1.00	<1.00	X	<1.00	X	<.600
Mercury, HCl, Total ug	<1.00	<1.00	X	<1.00	103%	<1.00
Mercury, HCl, Total ug	<1.00	<1.00	X	<1.00	X	<1.00

APPENDIX 5
QUALITY ASSURANCE

TYPE "S" PITOT TUBE CALIBRATION

PARAMETER	SPECIFICATION	EXAMPLE	MEASUREMENT INSTRUMENT
IMPACT/ a1	(< 10 DEG)		DEGREE INDICATING LEVEL
STATIC/ a2	(< 10 DEG)		DEGREE INDICATING LEVEL
IMPACT/ B2	(< 5 DEG)		DEGREE INDICATING LEVEL
γ	DEGREES		DEGREE INDICATING LEVEL
θ	DEGREES		DEGREE INDICATING LEVEL
P _A P _B P _A + P _B = A D _T	INCHES INCHES INCHES INCHES		RULER MICROMETER

$Z = A \sin \gamma$ (LIMIT < 0.125 INCHES)

$W = A \sin \theta$ (LIMIT < 0.03125 INCHES)

PITOT #	a1	a2	B1	B2	γ	θ	P _A	P _B	A	D _T	Z	W	DAMAGE ?
CAC2	4	4	2	2	0	0	0.4455	0.4455	0.891	0.354	0	0	None

CALIBRATED BY: *S.L. Wells* **DATE:** *9-3-02*

SAMPLE NOZZLE CALIBRATION

REFERENCE: EPA METHOD 5

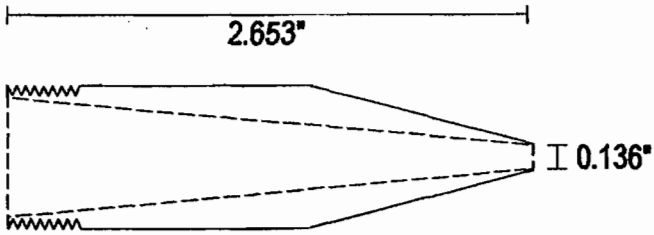
PROCEDURE: MEASURE THE INNER DIAMETER OF THE SAMPLING NOZZLE TO THE NEAREST 0.001 INCHES.
REPEAT UNTIL THREE MEASUREMENTS ARE MADE AT DIFFERENT POINTS ON THE NOZZLE DIAMETER.

DATE: 9-3-02

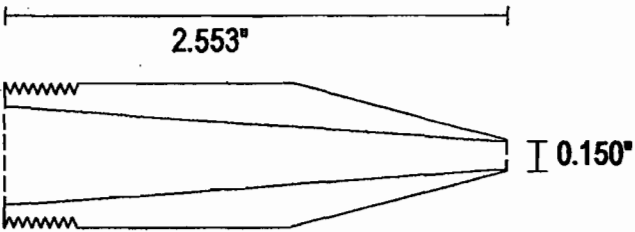
TOLERANCE: RANGE NOT TO EXCEED 0.004 INCHES

BY: S.L. Webb

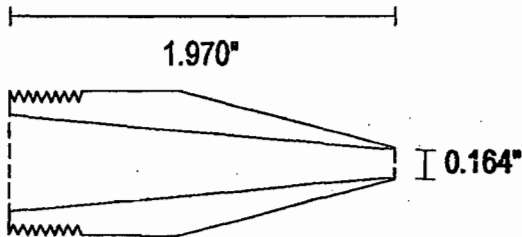
NOZZLE NUMBER	1ST MEAS.	2ND MEAS.	3RD MEAS.	AVERAGE	MAXIMUM RANGE
CAL 2	0.220	0.220	0.220	0.220	
CAL 3	0.220	0.220	0.220	0.220	
PM ₁₀	0.164	0.163	0.164	0.164	



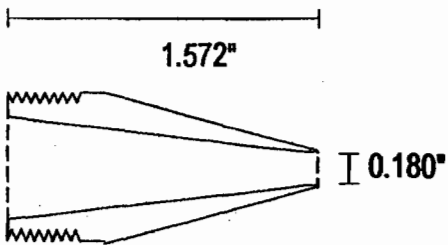
1 Actual: 0.135"



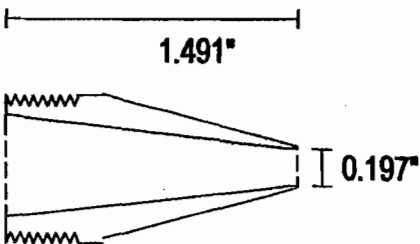
2 Actual: 0.150"



3 Actual: 0.164"



4 Actual: 0.181"



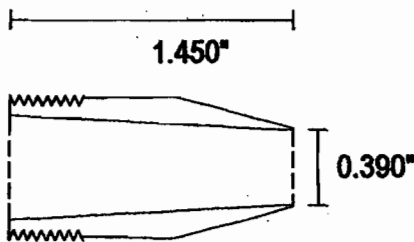
5 Actual: 0.196"

**PM10-SS
CYCLONE NOZZLE SET**

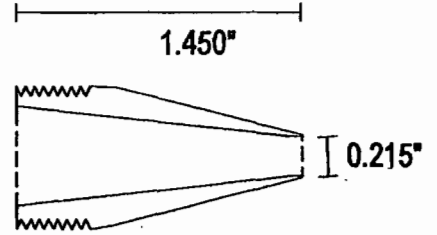
S/N: 201231

**Calibration
Performed By:**

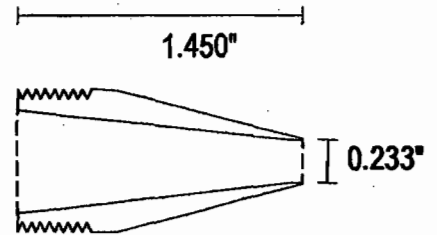
CHRIS DALE



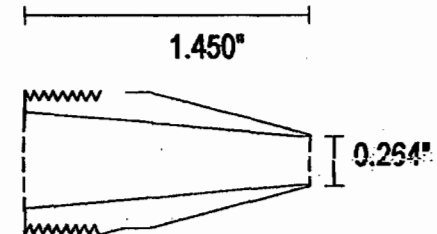
11 Actual: 0.390"



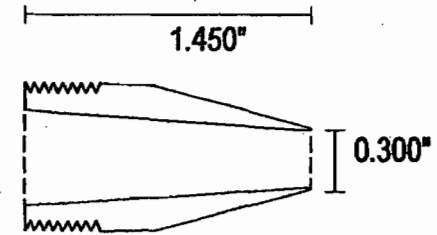
6 Actual: 0.215"



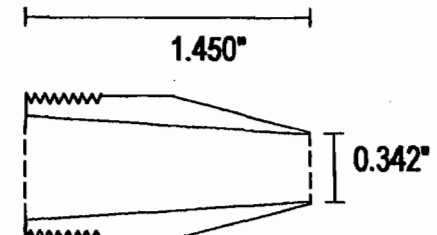
7 Actual: 0.233"



8 Actual: 0.263"



9 Actual: 0.301"



10 Actual: 0.344"

Coastal Air Consulting, Inc.
EPA Method 5
Meter Box Calibration
Post-Test Orifice Method

Date:	9/12/2002
Box:	CAC 1
Serial:	70

Barometric Pressure:	29.94	(in Hg)
Theoretical Critical Vacuum:	14.12	(in Hg)

IMPORTANT! For valid test results, the Actual Vacuum should be 1 to 2 in. Hg greater than the Theoretical Critical Vacuum shown above.
IMPORTANT! The Critical Orifice Coefficient, K', must be entered in English units, (ft)³*(deg R)^{0.5}/((in.Hg)*(min)).

DRY GAS METER READINGS							Critical Orifice Readings			AMBIENT TEMPERATURE		
dH (in H2O)	Time (min)	Volume Initial (cu ft)	Volume Final (cu ft)	Volume Total (cu ft)	Temp Initial (deg F)	Temp Final (deg F)	Orifice Serial #	K' Orifice Coefficient (see above)	Actual Vacuum (in Hg)	Initial (deg F)	Final (deg F)	Average (deg F)
0.63	10	217.751	222.401	4.65	90	90	48	0.357	15.5	85	85	85
0.63	10	222.401	227.045	4.644	90	90	48	0.357	15.5	85	85	85
0.63	10	227.045	231.674	4.629	90	90	48	0.357	15.5	85	85	85

CORRECTED VOLUME	
DRY GAS METER Vm(std) (cu ft)	ORIFICE Vcr(std) (cu ft)
4.472	4.584
4.466	4.584
4.452	4.584

DRY GAS METER CALIBRATION FACTOR Y	
Value	Variation
1.025	-0.002
1.026	-0.0007
1.030	0.0027

ORIFICE CALIBRATION FACTOR dH@	
Value (in H2O)	Variation (in H2O)
1.687	0.000
1.687	0.000
1.687	0.000

Average 1.027

Average 1.687

Note: For Calibration Factor Y, the ratio of the reading of the calibration meter to the dry gas meter, acceptable tolerance of individual values from the average is +0.02.

For Orifice Calibration Factor dH@, the orifice differential pressure in inches of H2O that equates to 0.75 cfm of air at 68 F and 29.92 inches of Hg, acceptable tolerance of individual values from the average is +0.2.

SIGNED: Stephen C. Webb

Date: 9-12-02

$$V_{m(std)} = 17.64 (V_m) \frac{P_b + \frac{\Delta H}{13.6}}{t_m + 460}$$

$$V_{cr(std)} = K' \frac{P_b \theta}{\sqrt{t_{amb} + 460}}$$

$$Y = \frac{V_{cr(std)}}{V_{m(std)}}$$

$$\Delta H_{@} = \Delta H \left(\frac{.75\theta}{V_{cr(std)}} \right)^2$$

Coastal Air Consulting, Inc.
EPA Method 5
Meter Box Calibration
Post-Test Orifice Method

Date:	9/12/2002
Box:	CAC 2
Serial:	

Barometric Pressure:	29.94	(in Hg)
Theoretical Critical Vacuum:	14.12	(in Hg)

IMPORTANT For valid test results, the Actual Vacuum should be 1 to 2 in. Hg greater than the Theoretical Critical Vacuum shown above.
IMPORTANT The Critical Orifice Coefficient, K', must be entered in English units, (ft)³*(deg R)^{0.5}/((in.Hg)*(min)).

DRY GAS METER READINGS							Critical Orifice Readings			AMBIENT TEMPERATURE		
dH (in H2O)	Time (min)	Volume Initial (cu ft)	Volume Final (cu ft)	Volume Total (cu ft)	Temp Initial (deg F)	Temp Final (deg F)	Orifice Serial #	K' Orifice Coefficient (see above)	Actual Vacuum (in Hg)	Initial (deg F)	Final (deg F)	Average (deg F)
1.9	10	560.750	568.61	7.86	91	95	63	0.600	15.5	85	85	85
1.9	10	568.610	576.510	7.9	91	95	63	0.600	15.5	85	85	85
1.9	10	576.510	584.427	7.917	91	95	63	0.600	15.5	85	85	85

CORRECTED VOLUME

DRY GAS METER Vm(std) (cu ft)	ORIFICE Vc(std) (cu ft)
7.542	7.695
7.580	7.695
7.596	7.695

DRY GAS METER CALIBRATION FACTOR Y	
Value	Variation
1.020	0.004
1.015	-0.001
1.013	-0.0032

ORIFICE CALIBRATION FACTOR dH@	
Value (in H2O)	Variation (in H2O)
1.805	0.000
1.805	0.000
1.805	0.000

Average 1.016

Average 1.805

Note: For Calibration Factor Y, the ratio of the reading of the calibration meter to the dry gas meter, acceptable tolerance of individual values from the average is +0.02.

For Orifice Calibration Factor dH@, the orifice differential pressure in inches of H2O that equates to 0.75 cfm of air at 68 F and 29.92 inches of Hg, acceptable tolerance of individual values from the average is +0.2.

SIGNED: Stephen C. Welch

Date: 9-12-02

$$V_{m(std)} = 17.64 (V_m) \frac{P_b + \frac{\Delta H}{13.6}}{P_m + 460}$$

$$V_{cr(std)} = K' \frac{P_b \theta}{\sqrt{t_{amb} + 460}}$$

$$Y = \frac{V_{cr(std)}}{V_m(std)}$$

$$\Delta H_{@} = \Delta H \left(\frac{.75\theta}{V_{cr(std)}} \right)^2$$

COASTAL AIR CONSULTING, INC.
EPA Method 5
Meter Box Calibration
Pre-Test Orifice Method
English Meter Box Units, English K' Factor

Date:	8/16/2002
Box:	CAC 1
Serial:	

Barometric Pressure:	30.12	(in Hg)
Theoretical Critical Vacuum:	14.21	(in Hg)

IMPORTANT! For valid test results, the Actual Vacuum should be 1 to 2 in. Hg greater than the Theoretical Critical Vacuum shown above.
IMPORTANT! The Critical Orifice Coefficient, K', must be entered in English units, (ft)³*(deg R)^{0.5}/((in.Hg)*(min)).

DRY GAS METER READINGS							Critical Orifice Readings			AMBIENT TEMPERATURE		
dH (in H ₂ O)	Time (min)	Volume Initial (cu ft)	Volume Final (cu ft)	Volume Total (cu ft)	Temp Initial (deg F)	Temp Final (deg F)	Orifice Serial #	K' Orifice Coefficient (see above)	Actual Vacuum (in Hg)	Initial (deg F)	Final (deg F)	Average (deg F)
0.3	16	400.324	405.497	5.173	90	90	40	0.243	23.5	84	84	84
0.67	11	394.701	399.943	5.242	89	90	48	0.357	22	84	84	84
1.2	8	388.402	393.42	5.018	89	90	55	0.471	21	83	83	83
2	7	382.654	388.104	5.45	89	90	63	0.600	19	83	83	83
3.8	5.1	375.454	381.135	5.681	88	89	73	0.841	16	83	83	83

CORRECTED VOLUME	
DRY GAS METER	ORIFICE
V _m (std) (cu ft)	V _{cr} (std) (cu ft)
5.001	5.021
5.077	5.071
4.866	4.870
5.295	5.429
5.554	5.544

DRY GAS METER CALIBRATION FACTOR Y	
Value	Variation
1.004	-0.001
0.999	-0.0065
1.001	-0.0046
1.025	0.01977
0.998	-0.0072

ORIFICE CALIBRATION FACTOR dH@	
Value (in H ₂ O)	Variation (in H ₂ O)
1.714	-0.084
1.773	-0.024
1.821	0.024
1.870	0.07297
1.809	0.0114

Average 1.005

Average 1.797

Note: For Calibration Factor Y, the ratio of the reading of the calibration meter to the dry gas meter, acceptable tolerance of individual values from the average is +/-0.02.

For Orifice Calibration Factor dH@, the orifice differential pressure in inches of H₂O that equates to 0.75 cfm of air at 68 F and 29.92 inches of Hg, acceptable tolerance of individual values from the average is +/-0.2.

SIGNED: Stephen C. Wehler

Date: 8/16/02

$$V_{m(std)} = 17.64 (V_m) \frac{P_b + \frac{\Delta H}{13.6}}{t_m + 460}$$

$$V_{cr(std)} = K' \frac{P_b \theta}{\sqrt{t_{amb} + 460}}$$

$$Y = \frac{V_{cr(std)}}{V_m(std)}$$

$$\Delta H_{@} = \Delta H \left(\frac{.75\theta}{V_{cr(std)}} \right)^2$$

COASTAL AIR CONSULTING, INC.
EPA Method 5
Meter Box Calibration
Pre-Test Orifice Method
English Meter Box Units, English K' Factor

Date:	8/16/2002
Box:	CAC 2
Serial:	70

Barometric Pressure:	30.12	(in Hg)
Theoretical Critical Vacuum:	14.21	(in Hg)

IMPORTANT For valid test results, the Actual Vacuum should be 1 to 2 in. Hg greater than the Theoretical Critical Vacuum shown above.
IMPORTANT The Critical Orifice Coefficient, K', must be entered in English units, (ft)³/(deg R)^{0.5}/((in.Hg)³(min)).

DRY GAS METER READINGS							Critical Orifice Readings			AMBIENT TEMPERATURE		
dH (in H ₂ O)	Time (min)	Volume Initial (cu ft)	Volume Final (cu ft)	Volume Total (cu ft)	Temp Initial (deg F)	Temp Final (deg F)	Orifice Serial #	K' Orifice Coefficient (see above)	Actual Vacuum (in Hg)	Initial (deg F)	Final (deg F)	Average (deg F)
0.29	16	949.737	954.765	5.028	88	90	40	0.243	24.5	83	83	83
0.64	11	955.153	960.261	5.108	90	91	48	0.357	23.5	83	83	83
1.1	9	961.501	966.994	5.493	92	93	55	0.471	22	84	84	84
1.9	7	967.701	973.162	5.461	93	94	63	0.600	20.5	84	84	84
3.7	6	974.202	980.78	6.578	94	95	73	0.841	18	84	84	84

CORRECTED VOLUME	
DRY GAS METER	ORIFICE
V _{m(std)} (cu ft)	V _{cr(std)} (cu ft)
4.869	5.026
4.938	5.076
5.297	5.474
5.266	5.424
6.360	6.516

DRY GAS METER CALIBRATION FACTOR Y	
Value	Variation
1.032	0.002
1.028	-0.0016
1.034	0.00392
1.030	0.00027
1.025	-0.005

ORIFICE CALIBRATION FACTOR dH@	
Value (in H ₂ O)	Variation (in H ₂ O)
1.653	-0.059
1.691	-0.022
1.672	-0.040
1.780	0.06792
1.764	0.05224

Average 1.030

Average 1.712

Note: For Calibration Factor Y, the ratio of the reading of the calibration meter to the dry gas meter, acceptable tolerance of individual values from the average is ±0.02.

For Orifice Calibration Factor dH@, the orifice differential pressure in inches of H₂O that equates to 0.75 cfm of air at 68 F and 29.92 inches of Hg, acceptable tolerance of individual values from the average is ±0.2.

SIGNED: *Stephen C. Wall*

Date: 8/16/02

$$V_{m(std)} = 17.64 (V_m) \frac{P_b + \frac{\Delta H}{13.6}}{t_m + 460}$$

$$V_{cr(std)} = K' \frac{P_b \theta}{\sqrt{t_{amb} + 460}}$$

$$Y = \frac{V_{cr(std)}}{V_{m(std)}}$$

$$\Delta H_{@} = \Delta H \left(\frac{.75\theta}{V_{cr(std)}} \right)^2$$

**THERMOCOUPLE POSTTEST
CALIBRATION CHECK**

Standard: National Bureau of Standards Thermocouple

Reference: Q.A. sec 3.1.2

Procedure: Test thermocouple and NBS thermocouple are wrapped in a heating mat. The temperature is controlled by the current flow into the mat, and is stabilized at a point within 10% of the average stack temperature during the test.

Tolerance: +/- 1.5% of actual absolute temperature

Test site: PG&E Cedar Bay	Check date: 9/12/02
Test date: 9/3&4/02	Check by: S. C. Webb
Avg. stack temp. 330	

T/C #	LENGTH ft	REFERENCE TEMP. F	MEASURED TEMP. F	DIFFERENCE %
15	15	330	331	0.13
10	10	330	330	0.00

THERMOCOUPLE CALIBRATION DATA

STANDARD: National Bureau of Standards Thermocouple

REFERENCE: EPA Method 2.

FREQUENCY: Annualy

PROCEDURE: Thermocouple and NBS thermocouple are inserted into a thermostatically controlled oil bath. Temperatures are stabilized at approximately 230 & 340 F. Potentiometer and thermocouple readings are compared.

TOLERANCE: +/- 1.5% of actual absolute temperature.

REFERENCE TEMPERATURES

AMBIENT 65.0 MIC 230.0 HIGH 350.0

T/C. Number	Length (ft)	OBS TEMP (F)	DIFF (%)	OBS TEMP (F)	DIFF (%)	OBS TEMP (%)	DIFF (%)
15	15	65.0	0.00	232.0	0.29	349.0	-0.12
10	10	65.0	0.00	230.0	0.00	350.0	0.00
8	8	65.0	0.00	231.0	0.14	349.0	-0.12
6	6	65.0	0.00	229.0	-0.14	347.0	-0.37
3	3	65.0	0.00	230.0	0.00	348.0	-0.25
7	7	65.0	0.00	230.0	0.00	350.0	0.00

Calibrated by: S. C. Webb
Date: 1/2/02
Due: 1/2/03

**SAMPLE HEAD HOOK-UP THERMOCOUPLE
CALIBRATION PROCEDURES**

FREQUENCY: Quarterly (two point calibration)

1. Place ASTM thermometer and sample head hook-up thermocouple in ice bath, allow time for both to equilibrate. Compare and record readings after they have stabilized.
2. Remove both the ASTM thermometer and sample head hook-up thermocouple. Dry off thoroughly and place in a room with constant temperature and humidity. Allow a period of stabilization and record readings.

Acceptance Standard: The test thermocouple (sample head hook up) shall be acceptable if both temperatures are within + / - 2 F of the ASTM standard thermometer.

Note: If the thermocouple is not within the tolerances, discard and calibrate one which will be satisfactory.

Thermo. I.D. No.	Location	Reference Temp. (F)		Observed Temp. (F)		Difference Temp. (F)	
		1	2	1	2	1	2
A	SHH-A	32.0	65.0	32.0	65.0	0.0	0.0
B	SHH-B	32.0	65.0	32.0	65.0	0.0	0.0
						0.0	0.0
						0.0	0.0
						0.0	0.0
						0.0	0.0

**Calibrated by: S. C. Webb
Date: 1/2/02
Due: 1/2/03**

**DRY GAS METER
THERMOCOUPLE CALIBRATION DATA**

Frequency: Annual (two point) calibration.

Standard: ASTM Hg in glass thermometer, NBS ice point reference chamber, and potentiometer.

Reference: EPA Method 5, Section 2.1.8

- Procedure: 1. Place ASTM thermometer and dry gas meter thermocouples (inlet and outlet) in hot water bath where the temperature is maintained between 100 F and 125 F. When the temperature has stabilized the thermocouple and ASTM thermometer are compared.
2. Remove ASTM thermometer and thermocouples from the warm bath, dry thoroughly, and place in a room with constant temperature and humidity. Allow a period of stabilization and record the readings.

Tolerance: +/- 5.4 F

Therm ID No.	Location	Reference Temp. (F)		Observed Temp. (F)		Difference (F)	
		1	2	1	2	1	2
1 MB	Meter Box No. CAC1	120.0	70.0	120.0	70.0	0.0	0.0
2 MB	Meter Box No. CAC1	120.0	70.0	120.0	70.0	0.0	0.0
1 MB	Meter Box No. CAC2	120.0	70.0	120.0	70.0	0.0	0.0
2 MB	Meter Box No. CAC2	120.0	70.0	120.0	70.0	0.0	0.0

CALIBRATED BY: S. Webb
DATE: 01/02/02
DUE: 01/02/03

APPENDIX 6
SAMPLE CALCULATIONS

SAMPLE EQUATIONS FOR ISOKINETIC SAMPLING

CALCULATIONS FOR FLUE GAS VOLUME AND ISOKINETIC RATIO

Time	Dry Gas Meter Ft ³	Pitot ΔP In. H ₂ O	Orifice ΔH In. H ₂ O	Dry Gas Temp. °F In Out	Flue Gas Static Pressure In. H ₂ O	Stack Temp. °F
T	V _m	Δp	ΔH	TMI TMO	P _g	t _s

1. D_n = Nozzle Diameter (inches)

1a. A_n = Area of Nozzle (ft²)

2. P_{bar} = Barometric Pressure (in. Hg)

3. TT = Net Sampling Time (minutes)

4. V_m = V_m Final - V_m Initial = Sample Gas Volume (Ft³)

5. T_m = Average Dry Gas Temperature at Meter (°F)

$$T_m = \frac{\text{Avg. TMI} + \text{Avg. TMO}}{2}$$

6. Δp = Velocity head of stack gas (in. H₂O)

7. ΔH = Average Orifice Pressure Drop (in. H₂O)

8. Volume of dry gas sampled at standard conditions^a (DSCF)

$$V_{m(std)} = \frac{(17.64)(V_m)(Y) \left(P_{bar} + \frac{\Delta H}{13.6} \right)}{(T_m + 460)}$$

9. V_{lc} = Total Water Collected = gm H₂O Silica gel + ml Imp. H₂O = ml

10. Volume of water vapor at standard conditions^b (SCF)

$$V_{w(std)} = 0.0471(V_{ic}) = SCF$$

11. Percent moisture in flue gas

$$\% M = \frac{100(V_{w(std)})}{V_{m(std)} + V_{w(std)}}$$

12. Mole fraction of water vapor in flue gas

$$B_{ws} = \frac{\% M}{100}$$

13. Molecular Weight of dry flue gas

$$M_d = 0.44(\%CO_2) + 0.32(\%O_2) + 0.28(\%N_2 + \%CO)$$

- 13a. %EA = % Excess Air =

$$\frac{[(\%O_2) - 0.5(\%CO)]}{[0.264(\%N_2)] - [(\%O_2) - 0.5(\%CO)]} \times 100$$

14. Molecular weight of wet flue gas

$$M_s = M_d(1 - B_{ws}) + 18(B_{ws})$$

15. A = Cross-sectional area of stack (Ft²)

$$\frac{\pi r^2}{144}$$

16. P_s = Flue gas pressure (in, Hg)

$$P_s = P_{bar} + P_g$$

NOTE:
$$P_g(Hg) = \frac{P_g(in. H_2O)}{13.6}$$

17. T_s = Absolute stack temperature (°R)

$$T_s = 460 + t_s$$

18. Flue velocity at stack conditions (FT/SEC)

$$V_s = (K_p)(C_p) \left[(\sqrt{\Delta p})_{avg} \right] \sqrt{\frac{T_s(avg)}{P_s * M_s}}$$

C_p = pitot tube coefficient

K_p = pitot tube constant = 85.49ft/sec

19. Flue gas volumetric flow rate at standard conditions^b (SCFM)

$$Q_s = (V_s)(A) \left(\frac{528}{T_s(avg.)} \right) \left(\frac{P_s}{29.92} \right) (60)$$

20. Flue gas volumetric flow rate at standard conditions^c (DSCFM)

$$Q_{sd} = (1 - B_{ws})(V_s)(A) \left(\frac{528}{T_s(avg.)} \right) \left(\frac{P_s}{29.92} \right) (60)$$

21. Flue gas volumetric flow rate at stack conditions (ACFM)

$$Q_a = (V_s)(A)(60)$$

22. Percent Isokinetic

$$\%I = \frac{K_4(T_s)(V_{m(std)})}{P_s V_s A_n \Theta (1 - B_{ws})}$$

$K_4 = 0.09450$

$\Theta = \text{time}(\text{min})$

NOTES:

^aDry standard cubic feet at 68°F, 29.92 in. Hg

^bStandard conditions at 68°F, 29.92 in. Hg

^cDry standard cubic feet per minute at 68°F, 29.92 in. Hg

II. Calculations for grain loading and emission rates

23. Particulate (gr/DSCF)

$$gr / DSCF = 0.01543 \left(\frac{mg}{V_{m(std)}} \right)$$

24. Particulate at stack conditions (gr/ACF)

$$gr / ACF = \frac{17.64 gr / DSCF (P_s)(M_d)}{(T_s + 460)}$$

25. Particulate (lbs/hr), concentration method

$$lbs / hr = 0.00857 * gr / DSCF * Q_{sd}$$

26. Particulate (lbs/hr), area method

$$lbs / hr = 0.132 * \frac{particulate(g) * A}{\frac{(D_n)^2}{2} * TT}$$

27. Particulate (lbs/mmBtu)

$$\frac{lbs / hr}{10^6 Btu / hr}$$

28. Particulate (lbs/ton)

$$lbs / ton = \frac{lbs / hr}{tons / hr}$$

29. Particulate (lbs/mmBtu), F-Factor Method

$$\text{Using } O_2 = \frac{(0.01543)(mg)(F - Factor)(20.9)}{(7000)(V_{m(std)})(20.9 - \%O_2)}$$

30. Particulate (gr/dscf) @ % Excess Air

$$gr/dscf @ \% EA = ((100 + \%EA)/150) (gr/dscf)$$

31. Particulate (lbs/mmBtu), F-Factor Method (Continued)

$$\text{Using CO}_2 = \frac{(0.01543)(mg)(F - \text{Factor})(100)}{(7000)(V_{m(std)})(\%CO_2)}$$

32. F-Factor (dscf/mmBtu)

Wet Basis (F_w)

$$F_w = \frac{10^6 \text{ Btu / mmBtu} [5.57(\%H) + 1.53(\%C) + 0.57(\%S) + 0.14(\%N) - 0.46(\%O_2) + 0.21(\%H_2O)]}{GCV_w}$$

Dry Basis (F_d)

$$F_d = \frac{10^6 \text{ Btu / mmBtu} [3.64(\%H) + 1.53(\%C) + 0.57(\%S) + 0.14(\%N) - 0.46(\%O_2)]}{GCV_d}$$

Carbon Basis (F_c)

$$F_c = \frac{10^6 \text{ Btu / mmBtu} [0.321(\%C)]}{GCV_d}$$

33. Particulate Emissions, (grams/DSCF)

$$Cs = \text{Particulate (mg)} / 1000 / \text{DSCF}$$

34. Particulate Emissions, (lb/ton) of Kiln Feed

$$(Cs) (\text{DSCFH}) / (130 \text{ tph}) (453.6 \text{ g/lb})$$

CALCULATIONS FOR RUN 1

1. Volume of dry gas sampled at standard conditions, DSCF

$$V_{m \text{ std}} = 17.64 * 83.417 * 1.0300 * \frac{29.97 + (1.487 / 13.6)}{104.1 + 460}$$

2. Volume of water vapor at standard conditions, SCF

$$V_{m \text{ gas}} = 0.04715 * 195.5$$

3. Percent moisture in stack gas

$$\% M = 100 * \frac{9.22}{80.819 + 9.22}$$

4. Mole fraction dry gas

$$M_d = \frac{100 - 10.24}{100}$$

5. Percent nitrogen in dry stack gas, lb/lb-mole

$$\% N_2 = 100 - 13.10 - 6.20$$

6. Molecular weight of dry stack gas, lb/lb-mole

$$MW_d = (13.10 * 0.44) + (6.20 * 0.32) + (80.70 * 0.28)$$

7. Molecular weight of wet stack gas, lb/lb-mole

$$MW = (30.34 * 0.898) + [18 * (1 - 0.8976)]$$

8. Stack gas static pressure, in. Hg abs.

$$P_{sa} = (-23.00 + 13.6) + 29.97 - (0.001 * 0.00)$$

9. Stack gas velocity at standard conditions, fps

$$V_s = 85.49 * 0.84 * \left(1.090 \right)^{1/2} \left(\frac{332 + 460}{28.28 * 29.08} \right)^{1/2}$$

10. Stack gas volumetric flow rate at standard conditions, DSCFM

$$Q_s = \frac{1058.82 * 76.80 * 95.80 * 0.898 * 28.28}{(332.0 + 460)}$$

11. Stack gas volumetric flow rate at stack conditions, ACFM

$$Q_a = 0.05667 * 249684.9 * (332.0 + 460) / (28.28 * 0.898)$$

12. Percent isokinetic

$$\% I = \frac{17.326 * 80.819 * (332.0 + 460)}{76.80 * 120 * 28.28 * 0.898 * (0.22)^2}$$

13. Combustion gas production rate, SCF/MMBTU

$$F = 8710 * (0.0 / 100) + 9190 * [1 - (0.0 / 100)]$$

14. Particulate emission rate, grains/SCF

$$Eg = 0.01543 * (6.8 / 80.819)$$

15. Particulate emission rate, lbs/MMBTU

$$Eb = 9780 * (0.0013 / 7000) * [20.9 / (20.9 - 6.20)]$$

CALCULATION FOR METALS EMISSION RATE

1. Total train mass (μg), M_t

$$M_t (\mu\text{g}) = (M_{fn} - M_{fnb}) + (M_{bn} - M_{bhb})$$

M_t = Total mass of each metal collected in the sample train, μg

M_{fnb} = Blank correction value of metal in front half, μg

M_{bhb} = Blank correction value of metal in back half, μg

2. Concentration (mg/dscm), C_s

$$C_s (\text{mg/dscm}) = (K_4 * M_t) / (V_m(\text{std}))$$

C_s = Concentration of metal in the stack gas, mg/dscm

$K_4 = 10^{-3} \text{ mg}/\mu\text{g}$

M_t = Total mass of each metal collected in the sample train, μg

$V_m(\text{std})$ = Volume of dry gas sampled corrected to standard conditions, dscm

3. Emission Rate (lb/hr), E

$$E (\text{lb/hr}) = C_s * Q_s * 60 * (2.205 * 10^{-6}) * 0.02832$$

E = Emission rate of metal in the stack gas, lb/hr

C_s = Concentration of metal in the stack gas, mg/dscm

Q_s = Volumetric flow rate of stack gas, dscm/m

60 = Minutes in an hour

$2.205 * 10^{-6}$ = Conversion factor for lb to mg

0.02832 = Conversion factor for dscm to dscf

Calculation For Beryllium Emission Rate

Run 1 $M_T = < 0.1 \mu\text{g}$

$$C_{Be} = 10^{-3}(0.1) / 80.819 / 35.31 = < 0.000044 \text{ mg/dscm}$$

$$E_{Be} = < 0.000044 (249684.9) (60) (2.205 \times 10^{-6}) (0.02832) = < 0.000041 \text{ lb/hr}$$

Run 2 $M_T = < 0.1 \mu\text{g}$

$$C_{Be} = 10^{-3}(0.1) / 89.720 / 35.31 = < 0.000039 \text{ mg/dscm}$$

$$E_{Be} = < 0.000039 (260123.4) (60) (2.205 \times 10^{-6}) (0.02832) = < 0.000038 \text{ lb/hr}$$

Run 3 $M_T = < 0.1 \mu\text{g}$

$$C_{Be} = 10^{-3}(0.1) / 88.569 / 35.31 = < 0.00004 \text{ mg/dscm}$$

$$E_{Be} = < 0.00004 (259443.8) (60) (2.205 \times 10^{-6}) (0.02832) = < 0.000039 \text{ lb/hr}$$

Calculation For Lead Emission Rate

Run 1 $M_T = 2.00 - 1.05 = 0.95 \mu\text{g}$

$$C_{Pb} = 10^{-3}(0.95) / 80.819 / 35.31 = 0.00042 \text{ mg/dscm}$$

$$E_{Pb} = 0.00042 (249684.9) (60) (2.205 \times 10^{-6}) (0.02832) = 0.00039 \text{ lb/hr}$$

Run 2 $M_T = 1.90 - 1.05 = 0.85 \mu\text{g}$

$$C_{Pb} = 10^{-3}(0.85) / 89.720 / 35.31 = 0.00034 \text{ mg/dscm}$$

$$E_{Pb} = 0.00034 (260123.4) (60) (2.205 \times 10^{-6}) (0.02832) = 0.00033 \text{ lb/hr}$$

Run 3 $M_T = 3.14 - 1.05 = 2.09 \mu\text{g}$

$$C_{Pb} = 10^{-3}(2.09) / 88.569 / 35.31 = 0.00083 \text{ mg/dscm}$$

$$E_{Pb} = 0.00083 (259443.8) (60) (2.205 \times 10^{-6}) (0.02832) = 0.00081 \text{ lb/hr}$$

Calculation For Mercury Emission Rate

Run 1 $M_t = < 3.49 \mu\text{g}$

$$C_{Be} = 10^{-3}(3.49) / 80.819 / 35.31 = < 0.00153 \text{ mg/dscm}$$

$$E_{Hg} = 0.00153 (249684.9) (60) (2.205 \times 10^{-6}) (0.02832) = < 0.00143 \text{ lb/hr}$$

Run 2 $M_t = < 3.49 \mu\text{g}$

$$C_{Be} = 10^{-3}(3.49) / 89.720 / 35.31 = 0.00137 \text{ mg/dscm}$$

$$E_{Hg} = 0.00137 (260123.4) (60) (2.205 \times 10^{-6}) (0.02832) = < 0.00134 \text{ lb/hr}$$

Run 3 $M_t = < 3.49 \mu\text{g}$

$$C_{Be} = 10^{-3}(3.49) / 88.569 / 35.31 = < 0.00139$$

$$E_{Hg} = 0.00139 (259443.8) (60) (2.205 \times 10^{-6}) (0.02832) = < 0.00135 \text{ lb/hr}$$

PM10 CALCULATIONS

1. Viscosity of stack gas (micropoise) μ_s

$$\mu_s = 152.418 + (0.2552 * T_s) + (3.2355 * 10^{-5})(T_s^2) + (0.53147)(O_2\%) - (74.143 - B_{ws})_s$$

T_s = Stack Temperature

$O_2\%$ = Percent oxygen

B_{ws} = Moisture fraction

2. Cyclone flow rate (cfm) Q_s

$$Q_s = .002837 \mu_s \left[\frac{T_s + 460}{M_w * P_s} \right]^{0.2849}$$

3. Orifice pressure needed for cyclone flow rate (in H_2O) ΔH

$$\Delta H = \left[\frac{Q_s(1 - B_{ws})P_s}{T_s + 460} \right]^2 * \left[\frac{(T_m + 460)M_d(1.083)H@}{P_b} \right]$$

4. Nozzle velocity (fps) V_n

$$V_n = \frac{3.058 Q_s}{D_n^2}$$

D_n = Nozzle diameter

5. Maximum and minimum velocities (fps) R_{max} , R_{min}

$$R_{min} = 0.2457 + \sqrt{0.3072 - \frac{0.2603 \sqrt{Q_s * \mu_s}}{V_n^{1.5}}} \quad V_{min} = V_n * R_{max}$$

$$R_{max} = 0.4457 + \sqrt{0.5690 + \frac{0.2603 \sqrt{Q_s * \mu_s}}{V_n^{1.5}}} \quad V_{max} = V_n * R_{min}$$

6. Maximum and minimum velocity head (in H_2O) Δp_{max} , Δp_{min}

$$\Delta p_{max} = 1.3686 * 10^{-4} \left[\frac{P_s M_w (V_{max})^2}{(T_s + 460)(C_p)^2} \right]$$

$$\Delta p_{min} = 1.3686 * 10^{-4} \left[\frac{P_s M_w (V_{min})^2}{(T_s + 460)(C_p)^2} \right]$$

7. Dwell time at first traverse point (min) t_1

$$t_1 = \sqrt{\frac{\Delta p'1}{\Delta p'avg}} * \frac{Time}{Points}$$

$\Delta p'1$ = velocity head at first traverse point (from a previous traverse), in H_2O

$\Delta p'avg$ = square of the average square root of the Δp 's (from a previous traverse), in H_2O

8. Dwell time at subsequent traverse points (min) t_n

$$t_n = \frac{l1}{\sqrt{\Delta p_n}} * \sqrt{\Delta p'1}$$

9. Aerodynamic cut size (μm) D_{50}

$$D_{50} = 0.15625 \left[\frac{T_s}{MwPs} \right]^{0.2091} \left[\frac{\mu s}{Q_s} \right]^{0.7091}$$



COMMERCIAL TESTING & ENGINEERING CO.

GENERAL OFFICES: 1919 SOUTH HIGHLAND AVE., SUITE 210-B, LOMBARD, ILLINOIS 60148 • TEL: 630-953-9300 FAX: 630-953-9306

SINCE 1908*



Member of the SGS Group (Société Générale de Surveillance)

ADDRESS ALL CORRESPONDENCE TO:
216 OXMOOR CIRCLE
BIRMINGHAM, AL 35209
TEL: (205) 942-3120
FAX: (205) 942-0914
www.comiteco.com

September 19, 2002

PG&E National Energy Group
Cedar Bay Generating Company
P.O. Box 26324
Jacksonville FL 32226
Bob Bullen

Sample identification by
PG&E National Energy Group

Kind of sample reported to us Waste Fiber Reject
FS02-004 8/27/02

Sample taken at Cedar Bay

Sample taken by PG&E National Energy Group

Date sampled -----

Date received September 4, 2002

Analysis Report No. 73-27978

PROXIMATE ANALYSIS

	<u>As Received</u>	<u>Dry Basis</u>		
% Moisture	38.88	xxxxxx		
% Ash	11.75	19.22		
% Volatile	43.21	70.70		
% Fixed Carbon	<u>6.16</u>	<u>10.08</u>		
	100.00	100.00		
Btu/lb	4989	8163	MAF	10105
% Sulfur	0.13	0.21		

Respectfully submitted,
COMMERCIAL TESTING & ENGINEERING CO.

Birmingham Laboratory





COMMERCIAL TESTING & ENGINEERING CO.

GENERAL OFFICES: 1919 SOUTH HIGHLAND AVE., SUITE 210-B, LOMBARD, ILLINOIS 60148 • TEL: 630-953-9300 FAX: 630-953-9306

SINCE 1908*



Member of the SGS Group (Société Générale de Surveillance)

ADDRESS ALL CORRESPONDENCE TO:
216 OXMOOR CIRCLE
BIRMINGHAM, AL 35209
TEL: (205) 942-3120
FAX: (205) 942-0914
www.comteco.com

September 19, 2002

PG&E National Energy Group
Cedar Bay Generating Company
P.O. Box 26324
Jacksonville FL 32226
Bob Bullen

Sample identification by
PG&E National Energy Group

Kind of sample reported to us Fiber Waste Sample
FS02-007 8/30/02

Sample taken at Cedar Bay

Sample taken by PG&E National Energy Group

Date sampled -----

Date received September 11, 2002

Analysis Report No. 73-28214

PROXIMATE ANALYSIS

	<u>As Received</u>	<u>Dry Basis</u>		
% Moisture	65.96	xxxxx		
% Ash	5.91	17.37		
% Volatile	22.01	64.65		
% Fixed Carbon	<u>6.12</u>	<u>17.98</u>		
	100.00	100.00		
Btu/lb	2517	7394	MAF	8948
% Sulfur	0.01	0.02		

Respectfully submitted,
COMMERCIAL TESTING & ENGINEERING CO.

Birmingham Laboratory





COMMERCIAL TESTING & ENGINEERING CO.

GENERAL OFFICES: 1919 SOUTH HIGHLAND AVE., SUITE 210-B, LOMBARD, ILLINOIS 60148 • TEL: 630-953-9300 FAX: 630-953-9306

SINCE 1908®



Member of the SGS Group (Société Générale de Surveillance)

ADDRESS ALL CORRESPONDENCE TO:
216 OXMOOR CIRCLE
BIRMINGHAM, AL 35209
TEL: (205) 942-3120
FAX: (205) 942-0914
www.comteco.com

September 19, 2002

PG&E National Energy Group
Cedar Bay Generating Company
P.O. Box 26324
Jacksonville FL 32226
Bob Bullen

Sample identification by
PG&E National Energy Group

Kind of sample reported to us Fiber Waste Sample
FS02-008 8/31/02

Sample taken at Cedar Bay

Sample taken by PG&E National Energy Group

Date sampled -----

Date received September 11, 2002

Analysis Report No. 73-28215

PROXIMATE ANALYSIS

	<u>As Received</u>	<u>Dry Basis</u>		
% Moisture	60.60	xxxxx		
% Ash	5.33	13.53		
% Volatile	26.05	66.11		
% Fixed Carbon	<u>8.02</u>	<u>20.36</u>		
	100.00	100.00		
Btu/lb	3039	7714	MAF	8921
% Sulfur	0.02	0.06		

Respectfully submitted,
COMMERCIAL TESTING & ENGINEERING CO.

Birmingham Laboratory





COMMERCIAL TESTING & ENGINEERING CO.

GENERAL OFFICES: 1919 SOUTH HIGHLAND AVE., SUITE 210-B, LOMBARD, ILLINOIS 60148 • TEL: 630-953-9300 FAX: 630-953-9306

SINCE 1908*



Member of the SGS Group (Société Générale de Surveillance)

ADDRESS ALL CORRESPONDENCE TO:
216 OXMOOR CIRCLE
BIRMINGHAM, AL 35209
TEL: (205) 942-3120
FAX: (205) 942-0914
www.comteco.com

September 19, 2002

PG&E National Energy Group
Cedar Bay Generating Company
P.O. Box 26324
Jacksonville FL 32226
Bob Bullen

Sample identification by
PG&E National Energy Group

Kind of sample reported to us Fiber Waste Sample
FS02-009 9/01/02

Sample taken at Cedar Bay

Sample taken by PG&E National Energy Group

Date sampled -----

Date received September 11, 2002

Analysis Report No. 73-28216

PROXIMATE ANALYSIS

	<u>As Received</u>	<u>Dry Basis</u>		
% Moisture	67.24	xxxxx		
% Ash	6.05	18.47		
% Volatile	21.05	64.25		
% Fixed Carbon	<u>5.66</u>	<u>17.28</u>		
	100.00	100.00		
Btu/lb	2540	7754	MAF	9511
% Sulfur	0.03	0.08		

Respectfully submitted,
COMMERCIAL TESTING & ENGINEERING CO.

Birmingham Laboratory





COMMERCIAL TESTING & ENGINEERING CO.

GENERAL OFFICES: 1919 SOUTH HIGHLAND AVE., SUITE 210-B, LOMBARD, ILLINOIS 60148 • TEL: 630-953-9300 FAX: 630-953-9306

SINCE 1908*



Member of the SGS Group (Société Générale de Surveillance)

ADDRESS ALL CORRESPONDENCE TO:
216 OXMOOR CIRCLE
BIRMINGHAM, AL 35209
TEL: (205) 942-3120
FAX: (205) 942-0914
www.comteco.com

September 19, 2002

PG&E National Energy Group
Cedar Bay Generating Company
P.O. Box 26324
Jacksonville FL 32226
Bob Bullen

Sample identification by
PG&E National Energy Group

Kind of sample reported to us Fiber Waste Sample
FS02-010 9/02/02

Sample taken at Cedar Bay

Sample taken by PG&E National Energy Group

Date sampled -----

Date received September 11, 2002

Analysis Report No. 73-28217

PROXIMATE ANALYSIS

	<u>As Received</u>	<u>Dry Basis</u>		
% Moisture	70.56	xxxxx		
% Ash	4.83	16.40		
% Volatile	19.37	65.79		
% Fixed Carbon	<u>5.24</u>	<u>17.81</u>		
	100.00	100.00		
Btu/lb	2221	7544	MAF	9024
% Sulfur	0.02	0.06		

Respectfully submitted,
COMMERCIAL TESTING & ENGINEERING CO.

Birmingham Laboratory





COMMERCIAL TESTING & ENGINEERING CO.

GENERAL OFFICES: 1919 SOUTH HIGHLAND AVE., SUITE 210-B, LOMBARD, ILLINOIS 60148 • TEL: 630-953-9300 FAX: 630-953-9306

SINCE 1908*



Member of the SGS Group (Société Générale de Surveillance)

ADDRESS ALL CORRESPONDENCE TO:
216 OXMOOR CIRCLE
BIRMINGHAM, AL 35209
TEL: (205) 942-3120
FAX: (205) 942-0914
www.comteco.com

September 19, 2002

PG&E National Energy Group
Cedar Bay Generating Company
P.O. Box 26324
Jacksonville FL 32226
Bob Bullen

Sample identification by
PG&E National Energy Group

Kind of sample reported to us Fiber Waste Sample
FS02-011 9/03/02

Sample taken at Cedar Bay

Sample taken by PG&E National Energy Group

Date sampled -----

Date received September 11, 2002

Analysis Report No. 73-28218

PROXIMATE ANALYSIS

	<u>As Received</u>	<u>Dry Basis</u>		
% Moisture	61.13	xxxxx		
% Ash	5.12	13.17		
% Volatile	26.04	66.98		
% Fixed Carbon	<u>7.71</u>	<u>19.85</u>		
	100.00	100.00		
Btu/lb	3001	7720	MAF	8891
% Sulfur	0.03	0.08		

Respectfully submitted,
COMMERCIAL TESTING & ENGINEERING CO.

Birmingham Laboratory





COMMERCIAL TESTING & ENGINEERING CO.

GENERAL OFFICES: 1919 SOUTH HIGHLAND AVE., SUITE 210-B, LOMBARD, ILLINOIS 60148 • TEL: 630-953-9300 FAX: 630-953-9306

SINCE 1908*



Member of the SGS Group (Société Générale de Surveillance)

ADDRESS ALL CORRESPONDENCE TO:
216 OXMOOR CIRCLE
BIRMINGHAM, AL 35209
TEL: (205) 942-3120
FAX: (205) 942-0914
www.comteco.com

September 19, 2002

PG&E National Energy Group
Cedar Bay Generating Company
P.O. Box 26324
Jacksonville FL 32226
Bob Bullen

Sample identification by
PG&E National Energy Group

Kind of sample reported to us Fiber Waste Sample
FS02-012 9/04/02

Sample taken at Cedar Bay

Sample taken by PG&E National Energy Group

Date sampled -----

Date received September 11, 2002

Analysis Report No. 73-28219

PROXIMATE ANALYSIS

	<u>As Received</u>	<u>Dry Basis</u>		
% Moisture	72.60	xxxxx		
% Ash	4.01	14.64		
% Volatile	18.00	65.71		
% Fixed Carbon	5.39	19.65		
	<u>100.00</u>	<u>100.00</u>		
Btu/lb	2019	7369	MAF	8633
% Sulfur	0.02	0.08		

Respectfully submitted,
COMMERCIAL TESTING & ENGINEERING CO.

Birmingham Laboratory





COMMERCIAL TESTING & ENGINEERING CO.

GENERAL OFFICES: 1919 SOUTH HIGHLAND AVE., SUITE 210-B, LOMBARD, ILLINOIS 60148 • TEL: 630-953-9300 FAX: 630-953-9306

SINCE 1908*



Member of the SGS Group (Société Générale de Surveillance)

ADDRESS ALL CORRESPONDENCE TO:
216 OXMOOR CIRCLE
BIRMINGHAM, AL 35209
TEL: (205) 942-3120
FAX: (205) 942-0914
www.comteco.com

September 19, 2002

PG&E National Energy Group
Cedar Bay Generating Company
P.O. Box 26324
Jacksonville FL 32226
Bob Bullen

Sample identification by
PG&E National Energy Group

Kind of sample reported to us Fiber Waste Sample
FS02-013 9/05/02

Sample taken at Cedar Bay

Sample taken by PG&E National Energy Group

Date sampled -----

Date received September 11, 2002

Analysis Report No. 73-28220

PROXIMATE ANALYSIS

	<u>As Received</u>	<u>Dry Basis</u>		
% Moisture	64.68	xxxxx		
% Ash	6.26	17.73		
% Volatile	22.24	62.97		
% Fixed Carbon	<u>6.82</u>	<u>19.30</u>		
	100.00	100.00		
Btu/lb	2646	7492	MAF	9107
% Sulfur	0.03	0.08		

Respectfully submitted,
COMMERCIAL TESTING & ENGINEERING CO.

Birmingham Laboratory





COMMERCIAL TESTING & ENGINEERING CO.

GENERAL OFFICES: 1919 SOUTH HIGHLAND AVE., SUITE 210-B, LOMBARD, ILLINOIS 60148 • TEL: 630-953-9300 FAX: 630-953-9306

SINCE 1908*



Member of the SGS Group (Société Générale de Surveillance)

ADDRESS ALL CORRESPONDENCE TO:
216 OXMOOR CIRCLE
BIRMINGHAM, AL 35209
TEL: (205) 942-3120
FAX: (205) 942-0914
www.comteco.com

September 30, 2002

PG&E National Energy Group
Cedar Bay Generating Company
P.O. Box 26324
Jacksonville FL 32226
Bob Bullen

Sample identification by
PG&E National Energy Group

Kind of sample Fiber Waste Sample
reported to us FS02-014 9/06/02

Sample taken at Cedar Bay

Sample taken by PG&E National Energy Group

Date sampled -----

Date received September 16, 2002

Analysis Report No. 73-28398

PROXIMATE ANALYSIS

	<u>As Received</u>	<u>Dry Basis</u>		
% Moisture	41.24	xxxxxx		
% Ash	9.48	16.13		
% Volatile	39.93	67.96		
% Fixed Carbon	<u>9.35</u>	<u>15.91</u>		
	100.00	100.00		
Btu/lb	4722	8036	MAF	9581
% Sulfur	0.05	0.08		

Respectfully submitted,
COMMERCIAL TESTING & ENGINEERING CO.

Birmingham Laboratory





COMMERCIAL TESTING & ENGINEERING CO.

GENERAL OFFICES: 1919 SOUTH HIGHLAND AVE., SUITE 210-B, LOMBARD, ILLINOIS 60148 • TEL: 630-953-9300 FAX: 630-953-9306

SINCE 1908°



Member of the SGS Group (Société Générale de Surveillance)

ADDRESS ALL CORRESPONDENCE TO:
216 OXMOOR CIRCLE
BIRMINGHAM, AL 35209
TEL: (205) 942-3120
FAX: (205) 942-0914
www.comteco.com

September 30, 2002

PG&E National Energy Group
Cedar Bay Generating Company
P.O. Box 26324
Jacksonville FL 32226
Bob Bullen

Sample identification by
PG&E National Energy Group

Kind of sample reported to us Fiber Waste Sample
FS02-015 9/07/02
Sample taken at Cedar Bay
Sample taken by PG&E National Energy Group
Date sampled -----
Date received September 16, 2002

Analysis Report No. 73-28399

PROXIMATE ANALYSIS

	<u>As Received</u>	<u>Dry Basis</u>		
% Moisture	51.02	xxxxxx		
% Ash	8.34	17.02		
% Volatile	32.86	67.09		
% Fixed Carbon	<u>7.78</u>	<u>15.89</u>		
	100.00	100.00		
Btu/lb	4071	8312	MAF	10017
% Sulfur	0.05	0.10		

Respectfully submitted,
COMMERCIAL TESTING & ENGINEERING CO.

Birmingham Laboratory





COMMERCIAL TESTING & ENGINEERING CO.

GENERAL OFFICES: 1919 SOUTH HIGHLAND AVE., SUITE 210-B, LOMBARD, ILLINOIS 60148 • TEL: 630-953-9300 FAX: 630-953-9306

SINCE 1908®



Member of the SGS Group (Société Générale de Surveillance)

ADDRESS ALL CORRESPONDENCE TO:
216 OXMOOR CIRCLE
BIRMINGHAM, AL 35209
TEL: (205) 942-3120
FAX: (205) 942-0914
www.comteco.com

September 30, 2002

PG&E National Energy Group
Cedar Bay Generating Company
P.O. Box 26324
Jacksonville FL 32226
Bob Bullen

Sample identification by
PG&E National Energy Group

Kind of sample reported to us Fiber Waste Sample
FS02-016 9/08/02

Sample taken at Cedar Bay

Sample taken by PG&E National Energy Group

Date sampled -----

Date received September 16, 2002

Analysis Report No. 73-28400

PROXIMATE ANALYSIS

	<u>As Received</u>	<u>Dry Basis</u>		
% Moisture	42.82	xxxxx		
% Ash	10.42	18.23		
% Volatile	38.55	67.41		
% Fixed Carbon	<u>8.21</u>	<u>14.36</u>		
	100.00	100.00		
Btu/lb	4629	8096	MAF	9901
% Sulfur	0.06	0.10		

Respectfully submitted,
COMMERCIAL TESTING & ENGINEERING CO.

Birmingham Laboratory





COMMERCIAL TESTING & ENGINEERING CO.

GENERAL OFFICES: 1919 SOUTH HIGHLAND AVE., SUITE 210-B, LOMBARD, ILLINOIS 60148 • TEL: 630-953-9300 FAX: 630-953-9306

SINCE 1908*



Member of the SGS Group (Société Générale de Surveillance)

ADDRESS ALL CORRESPONDENCE TO:
216 OXMOOR CIRCLE
BIRMINGHAM, AL 35209
TEL: (205) 942-3120
FAX: (205) 942-0914
www.comteco.com

September 19, 2002

PG&E National Energy Group
Cedar Bay Generating Company
P.O. Box 26324,
Jacksonville FL 32226
Bob Bullen

Sample identification by
PG&E National Energy Group

Kind of sample reported to us Fiber Waste Sample
FS02-017 9/09/02

Sample taken at Cedar Bay

Sample taken by PG&E National Energy Group

Date sampled -----

Date received September 13, 2002

Analysis Report No. 73-28320

PROXIMATE ANALYSIS

	<u>As Received</u>	<u>Dry Basis</u>		
% Moisture	46.68	xxxxxx		
% Ash	7.30	13.70		
% Volatile	35.61	66.78		
% Fixed Carbon	<u>10.41</u>	<u>19.52</u>		
	100.00	100.00		
Btu/lb	4075	7642	MAF	8855
% Sulfur	0.04	0.07		

Respectfully submitted,
COMMERCIAL TESTING & ENGINEERING CO.

Birmingham Laboratory





COMMERCIAL TESTING & ENGINEERING CO.

GENERAL OFFICES: 1919 SOUTH HIGHLAND AVE., SUITE 210-B, LOMBARD, ILLINOIS 60148 • TEL: 630-953-9300 FAX: 630-953-9306

SINCE 1908®



Member of the SGS Group (Société Générale de Surveillance)

ADDRESS ALL CORRESPONDENCE TO:
216 OXMOOR CIRCLE
BIRMINGHAM, AL 35209
TEL: (205) 942-3120
FAX: (205) 942-0914
www.comteco.com

September 30, 2002

PG&E National Energy Group
Cedar Bay Generating Company
P.O. Box 26324
Jacksonville FL 32226
Bob Bullen

Sample identification by
PG&E National Energy Group

Kind of sample reported to us Fiber Waste Sample
FS02-018 9/10/02

Sample taken at Cedar Bay

Sample taken by PG&E National Energy Group

Date sampled -----

Date received September 16, 2002

Analysis Report No. 73-28401

PROXIMATE ANALYSIS

	<u>As Received</u>	<u>Dry Basis</u>		
% Moisture	48.97	xxxxx		
% Ash	9.75	19.10		
% Volatile	33.56	65.77		
% Fixed Carbon	<u>7.72</u>	<u>15.13</u>		
	100.00	100.00		
Btu/lb	3729	7308	MAF	9033
% Sulfur	0.04	0.07		

Respectfully submitted,
COMMERCIAL TESTING & ENGINEERING CO.

Birmingham Laboratory





COMMERCIAL TESTING & ENGINEERING CO.

GENERAL OFFICES: 1919 SOUTH HIGHLAND AVE., SUITE 210-B, LOMBARD, ILLINOIS 60148 • TEL: 630-953-9300 FAX: 630-953-9306

SINCE 1908*



Member of the SGS Group (Société Générale de Surveillance)

ADDRESS ALL CORRESPONDENCE TO:
216 OXMOOR CIRCLE
BIRMINGHAM, AL 35209
TEL: (205) 942-3120
FAX: (205) 942-0914
www.comteco.com

September 27, 2002

PG&E National Energy Group
Cedar Bay Generating Company
P.O. Box 26324
Jacksonville FL 32226
Bob Bullen

Sample identification by
PG&E National Energy Group

Kind of sample reported to us Fiber Waste Sample
FS02-019 9/11/02

Sample taken at Cedar Bay

Sample taken by PG&E National Energy Group

Date sampled -----

Date received September 18, 2002

Analysis Report No. 73-28543

PROXIMATE ANALYSIS

	<u>As Received</u>	<u>Dry Basis</u>		
% Moisture	25.23	xxxxx		
% Ash	10.05	13.44		
% Volatile	51.20	68.48		
% Fixed Carbon	<u>13.52</u>	<u>18.08</u>		
	100.00	100.00		
Btu/lb	5871	7852	MAF	9071
% Sulfur	0.06	0.08		

Respectfully submitted,
COMMERCIAL TESTING & ENGINEERING CO.

Birmingham Laboratory





COMMERCIAL TESTING & ENGINEERING CO.

GENERAL OFFICES: 1919 SOUTH HIGHLAND AVE., SUITE 210-B, LOMBARD, ILLINOIS 60148 • TEL: 630-953-9300 FAX: 630-953-9306

SINCE 1908*



Member of the SGS Group (Société Générale de Surveillance)

ADDRESS ALL CORRESPONDENCE TO:
216 OXMOOR CIRCLE
BIRMINGHAM, AL 35209
TEL: (205) 942-3120
FAX: (205) 942-0914
www.comteco.com

September 27, 2002

PG&E National Energy Group
Cedar Bay Generating Company
P.O. Box 26324
Jacksonville FL 32226
Bob Bullen

Sample identification by
PG&E National Energy Group

Kind of sample reported to us Fiber Waste Sample
FS02-020 9/12/02

Sample taken at Cedar Bay

Sample taken by PG&E National Energy Group

Date sampled -----

Date received September 18, 2002

Analysis Report No. 73-28544

PROXIMATE ANALYSIS

	<u>As Received</u>	<u>Dry Basis</u>		
% Moisture	20.98	xxxxx		
% Ash	9.86	12.48		
% Volatile	53.36	67.53		
% Fixed Carbon	<u>15.80</u>	<u>19.99</u>		
	100.00	100.00		
Btu/lb	6153	7787	MAF	8897
% Sulfur	0.06	0.08		

Respectfully submitted,
COMMERCIAL TESTING & ENGINEERING CO.

Birmingham Laboratory





COMMERCIAL TESTING & ENGINEERING CO.

GENERAL OFFICES: 1919 SOUTH HIGHLAND AVE., SUITE 210-B, LOMBARD, ILLINOIS 60148 • TEL: 630-953-9300 FAX: 630-953-9306

SINCE 1908®



Member of the SGS Group (Société Générale de Surveillance)

ADDRESS ALL CORRESPONDENCE TO:
216 OXMOOR CIRCLE
BIRMINGHAM, AL 35209
TEL: (205) 942-3120
FAX: (205) 942-0914
www.comteco.com

October 3, 2002

PG&E National Energy Group
Cedar Bay Generating Company
P.O. Box 26324
Jacksonville FL 32226
Bob Bullen

Sample identification by
PG&E National Energy Group

Kind of sample Fiber Waste Sample
reported to us FS02-025 9/17/02

Sample taken at Cedar Bay

Sample taken by PG&E National Energy Group

Date sampled -----

Date received September 23, 2002

Analysis Report No. 73-28680

PROXIMATE ANALYSIS

	<u>As Received</u>	<u>Dry Basis</u>		
% Moisture	61.35	xxxxx		
% Ash	5.67	14.66		
% Volatile	26.10	67.54		
% Fixed Carbon	6.88	17.80		
	100.00	100.00		
Btu/lb	2947	7625	MAF	8935
% Sulfur	0.04	0.10		

Respectfully submitted,
COMMERCIAL TESTING & ENGINEERING CO.

Birmingham Laboratory





COMMERCIAL TESTING & ENGINEERING CO.

GENERAL OFFICES: 1919 SOUTH HIGHLAND AVE., SUITE 210-B, LOMBARD, ILLINOIS 60148 • TEL: 630-953-9300 FAX: 630-953-9306

SINCE 1908*



Member of the SGS Group (Société Générale de Surveillance)

ADDRESS ALL CORRESPONDENCE TO:
216 OXMOOR CIRCLE
BIRMINGHAM, AL 35209
TEL: (205) 942-3120
FAX: (205) 942-0914
www.comteco.com

October 3, 2002

PG&E National Energy Group
Cedar Bay Generating Company
P.O. Box 26324
Jacksonville FL 32226
Bob Bullen

Sample identification by
PG&E National Energy Group

Kind of sample reported to us Fiber Waste Sample
FS02-026 9/18/02

Sample taken at Cedar Bay

Sample taken by PG&E National Energy Group

Date sampled -----

Date received September 23, 2002

Analysis Report No. 73-28681

PROXIMATE ANALYSIS

	<u>As Received</u>	<u>Dry Basis</u>		
% Moisture	74.77	xxxxxx		
% Ash	3.80	15.07		
% Volatile	17.10	67.76		
% Fixed Carbon	4.33	17.17		
	100.00	100.00		
Btu/lb	1850	7331	MAF	8632
% Sulfur	0.03	0.10		

Respectfully submitted,
COMMERCIAL TESTING & ENGINEERING CO.

Birmingham Laboratory





COMMERCIAL TESTING & ENGINEERING CO.

GENERAL OFFICES: 1919 SOUTH HIGHLAND AVE., SUITE 210-B, LOMBARD, ILLINOIS 60148 • TEL: 630-953-9300 FAX: 630-953-9306

SINCE 1908*



Member of the SGS Group (Société Générale de Surveillance)

ADDRESS ALL CORRESPONDENCE TO:
216 OXMOOR CIRCLE
BIRMINGHAM, AL 35209
TEL: (205) 942-3120
FAX: (205) 942-0914
www.comteco.com

October 3, 2002

PG&E National Energy Group
Cedar Bay Generating Company
P.O. Box 26324
Jacksonville FL 32226
Bob Bullen

Sample identification by
PG&E National Energy Group

Kind of sample reported to us Fiber Waste Sample
FS02-027 9/19/02

Sample taken at Cedar Bay

Sample taken by PG&E National Energy Group

Date sampled -----

Date received September 24, 2002

Analysis Report No. 73-28698

PROXIMATE ANALYSIS

	<u>As Received</u>	<u>Dry Basis</u>		
% Moisture	49.86	xxxxxx		
% Ash	10.01	19.96		
% Volatile	33.30	66.41		
% Fixed Carbon	6.83	13.63		
	100.00	100.00		
Btu/lb	3954	7885	MAF	9851
% Sulfur	0.05	0.10		

Respectfully submitted,
COMMERCIAL TESTING & ENGINEERING CO.

Birmingham Laboratory



Environmental Conservation Laboratories, Inc.
310 Executive Park Court, Suite 211
Jacksonville, Florida 32216-6069
904 / 296-3007
Fax 904 / 296-6210
www.encolabs.com



DHRS Certification No. E82277

CLIENT : Cedar Bay Generating Co.
ADDRESS: 9640 Eastport Road
Jacksonville, FL 32218

REPORT # : JAX26986
DATE SUBMITTED: September 24, 2002
DATE REPORTED : October 4, 2002

PAGE 1 OF 8

ATTENTION: Mr. Jeff Walker

SAMPLE IDENTIFICATION

Samples submitted and
identified by client as:

REFERENCE: ASH ANALYSIS

#1	- FLY ASH	@ 12:30	(09/24/02)
#2	- BED ASH	@ 12:45	(09/24/02)
#3	- WASTEWATER TRANSFER	@ 15:30	(09/19/02)

Unless otherwise noted in an attached project narrative, all samples were received in acceptable condition and processed in accordance with the referenced methods/procedures. This data has been produced in accordance with NELAC Standards (July, 1999). This report shall not be reproduced except in full, without the written approval of the laboratory. Results for these procedures apply only to the samples as submitted.

PROJECT MANAGER


Scott D. Martin

ENCO LABORATORIES

REPORT # : JAX26986
 DATE REPORTED: October 4, 2002
 REFERENCE : ASH ANALYSIS

PAGE 2 OF 8

RESULTS OF ANALYSIS

<u>TCLP METALS</u>	<u>METHOD</u>	<u>FLY ASH</u>	<u>Units</u>
TCLP Arsenic Date Analyzed	1311/6010	0.20 U 10/03/02 14:07	mg/L
TCLP Barium Date Analyzed	1311/6010	10 U 10/03/02 14:07	mg/L
TCLP Cadmium Date Analyzed	1311/6010	0.50 U 10/03/02 14:07	mg/L
TCLP Chromium Date Analyzed	1311/6010	1.0 U 10/03/02 14:06	mg/L
TCLP Lead Date Analyzed	1311/6010	1.0 U 10/03/02 14:07	mg/L
TCLP Selenium Date Analyzed	1311/6010	0.50 U 10/03/02 14:07	mg/L
TCLP Silver Date Analyzed	1311/6010	1.0 U 10/03/02 14:06	mg/L
TCLP Mercury Date Analyzed	1311/7470	0.0050 U 10/03/02 12:50	mg/L

U = Compound was analyzed for but not detected to the level shown.

ENCO LABORATORIES
REPORT # : JAX26986
DATE REPORTED: October 4, 2002
REFERENCE : ASH ANALYSIS

PAGE 3 OF 8

RESULTS OF ANALYSIS

<u>TCLP METALS</u>	<u>METHOD</u>	<u>BED ASH</u>	<u>Units</u>
TCLP Arsenic Date Analyzed	1311/6010	0.20 U 10/03/02 14:14	mg/L
TCLP Barium Date Analyzed	1311/6010	10 U 10/03/02 14:14	mg/L
TCLP Cadmium Date Analyzed	1311/6010	0.50 U 10/03/02 14:14	mg/L
TCLP Chromium Date Analyzed	1311/6010	1.0 U 10/03/02 14:14	mg/L
TCLP Lead Date Analyzed	1311/6010	1.0 U 10/03/02 14:14	mg/L
TCLP Selenium Date Analyzed	1311/6010	0.50 U 10/03/02 14:14	mg/L
TCLP Silver Date Analyzed	1311/6010	1.0 U 10/03/02 14:14	mg/L
TCLP Mercury Date Analyzed	1311/7470	0.0096 10/03/02 13:08	mg/L

U = Compound was analyzed for but not detected to the level shown.

ENCO LABORATORIES

REPORT # : JAX26986

DATE REPORTED: October 4, 2002

REFERENCE : ASH ANALYSIS

PAGE 6 OF 8

RESULTS OF ANALYSIS

<u>TCLP METALS</u>	<u>METHOD</u>	<u>LAB BLANK</u>	<u>Units</u>
TCLP Arsenic Date Analyzed	1311/6010	0.20 U 10/03/02 13:30	mg/L
TCLP Barium Date Analyzed	1311/6010	10 U 10/03/02 13:30	mg/L
TCLP Cadmium Date Analyzed	1311/6010	0.50 U 10/03/02 13:30	mg/L
TCLP Chromium Date Analyzed	1311/6010	1.0 U 10/03/02 13:30	mg/L
TCLP Lead Date Analyzed	1311/6010	1.0 U 10/03/02 13:30	mg/L
TCLP Selenium Date Analyzed	1311/6010	0.50 U 10/03/02 13:30	mg/L
TCLP Silver Date Analyzed	1311/6010	1.0 U 10/03/02 13:30	mg/L
TCLP Mercury Date Analyzed	1311/7470	0.0050 U 10/03/02 12:38	mg/L

U = Compound was analyzed for but not detected to the level shown.

Cedar Bay Generating
 Jacksonville, FLA
Boiler 1-C Daily Emissions Report
 August 27, 2002

<i>Emission Limits</i>		
	lb/mmBtu	lb/hr
CO 8-Hour Rolling Average	0.175	186
SO2 3-Hour Rolling Average	0.3	318.9
NOx 30-Day Rolling Average	0.17	180.7
SO2 30-Day Rolling Average	0.2	-----

Hour	CO2%	NOx ppm	NOx		CO ppm	CO		CO lbs	CO lbs 8-Hr Rlg	SO2 ppm	SO2		SO2 lbs	SO2 lbs 3-Hr Rlg
			lb/mmBtu	NOx lbs		lb/mmBtu	8-Hr Rlg				lb/mmBtu	3-Hr Rlg		
00	13.4	71.6	0.121	115.3	33.0	0.034	0.034	32.4	33	48.4	0.114	0.18	108.65	169.8
01	13.1	84.7	0.147	141.0	30.8	0.033	0.035	31.7	33	42.0	0.101	0.15	96.87	145.7
02	12.8	69.9	0.124	111.6	32.0	0.035	0.035	31.5	33	45.8	0.113	0.11	101.73	102.4
03	10.3	51.1	0.113	63.5	129.8	0.174	0.052	97.8	41	0.1	0.000	0.07	0.00	66.2
04	10.6	47.1	0.101	55.4	131.1	0.171	0.069	93.8	48	0.0	0.000	0.04	0.00	33.9
05	11.7	43.2	0.084	61.9	96.6	0.114	0.079	84.0	54	0.2	0.001	0.00	0.74	0.2
06	13.1	63.4	0.110	108.6	47.7	0.050	0.081	49.4	57	39.9	0.096	0.03	94.81	31.9
07	12.9	57.6	0.102	98.7	38.6	0.041	0.082	39.7	58	42.0	0.103	0.07	99.62	65.1
08	13.0	55.5	0.097	94.4	32.2	0.034	0.082	33.1	58	96.3	0.235	0.14	228.75	141.1
09	13.3	58.2	0.099	97.8	35.5	0.037	0.082	36.2	58	117.5	0.279	0.21	273.92	200.8
10	13.3	71.6	0.122	120.1	34.8	0.036	0.082	35.4	59	78.7	0.187	0.23	184.06	228.9
11	13.3	91.5	0.156	157.5	31.3	0.033	0.065	33.3	51	86.7	0.206	0.22	207.96	222.0
12	13.5	90.6	0.153	153.7	32.8	0.034	0.047	34.2	43	117.0	0.274	0.22	275.29	222.4
13	13.4	94.9	0.161	159.6	36.3	0.037	0.038	37.7	37	85.4	0.202	0.23	200.28	227.8
14	13.2	108.9	0.188	186.6	35.4	0.037	0.036	36.7	36	75.0	0.180	0.22	178.69	218.1
15	13.4	95.7	0.162	161.6	37.0	0.038	0.036	37.7	36	111.5	0.263	0.22	260.76	213.2
16	13.3	107.9	0.184	183.6	37.0	0.038	0.036	37.7	36	63.5	0.151	0.20	149.90	196.5
17	13.3	100.2	0.171	172.6	32.3	0.034	0.036	34.3	36	124.2	0.295	0.24	297.80	236.2
18	13.2	105.6	0.182	182.4	32.2	0.034	0.036	34.1	36	102.2	0.245	0.23	245.56	231.1
19	13.1	106.0	0.184	183.8	32.7	0.035	0.036	35.0	36	102.3	0.247	0.26	246.68	263.3
20	12.9	103.7	0.183	175.7	33.5	0.036	0.036	34.6	36	67.2	0.165	0.22	158.45	216.9
21	12.9	86.3	0.152	146.5	35.1	0.038	0.036	36.6	36	119.3	0.292	0.23	282.39	229.2
22	12.8	87.6	0.156	150.0	35.8	0.039	0.037	37.5	36	81.0	0.200	0.22	192.30	211.0
23	12.8	90.9	0.161	34.3	35.6	0.039	0.037	8.3	32	80.0	0.198	0.23	42.16	172.3
Average	12.9	81.0	0.142	129.8	45.4	0.051		42		71.9	0.17		163.6	
Total				3116.2				1003					3927.4	
30-Day Rlg			0.16	154.1							0.18			

Cedar Bay Generating
 Jacksonville, FLA
Boiler 1-C Daily Emissions Report
 August 28, 2002

<i>Emission Limits</i>		
	lb/mmBtu	lb/hr
CO 8-Hour Rolling Average	0.175	186
SO2 3-Hour Rolling Average	0.3	318.9
NOx 30-Day Rolling Average	0.17	180.7
SO2 30-Day Rolling Average	0.2	-----

Hour	CO2%	NOx ppm	NOx lb/mmBtu	NOx lbs	CO ppm	CO lb/mmBtu	CO lb/mmBtu 8-Hr Rlg	CO lbs	CO lbs 8-Hr Rlg	SO2 ppm	SO2 lb/mmBtu	SO2 lb/mmBtu 3-Hr Rlg	SO2 lbs	SO2 lbs 3-Hr Rlg
00	Down	Down	Down	Down	Down	Down	Inval	Down	Inval	Down	Down	Inval	Down	Inval
01	Down	Down	Down	Down	Down	Down	Inval	Down	Inval	Down	Down	Inval	Down	Inval
02	Down	Down	Down	Down	Down	Down	Inval	Down	Inval	Down	Down	Down	Down	Down
03	Down	Down	Down	Down	Down	Down	Inval	Down	Inval	Down	Down	Down	Down	Down
04	Down	Down	Down	Down	Down	Down	Inval	Down	Inval	Down	Down	Down	Down	Down
05	Down	Down	Down	Down	Down	Down	Inval	Down	Inval	Down	Down	Down	Down	Down
06	Down	Down	Down	Down	Down	Down	Inval	Down	Inval	Down	Down	Down	Down	Down
07	Down	Down	Down	Down	Down	Down	Down	Down	Down	Down	Down	Down	Down	Down
08	Down	Down	Down	Down	Down	Down	Down	Down	Down	Down	Down	Down	Down	Down
09	Down	Down	Down	Down	Down	Down	Down	Down	Down	Down	Down	Down	Down	Down
10	Down	Down	Down	Down	Down	Down	Down	Down	Down	Down	Down	Down	Down	Down
11	Down	Down	Down	Down	Down	Down	Down	Down	Down	Down	Down	Down	Down	Down
12	Down	Down	Down	Down	Down	Down	Down	Down	Down	Down	Down	Down	Down	Down
13	Down	Down	Down	Down	Down	Down	Down	Down	Down	Down	Down	Down	Down	Down
14	Down	Down	Down	Down	Down	Down	Down	Down	Down	Down	Down	Down	Down	Down
15	Down	Down	Down	Down	Down	Down	Down	Down	Down	Down	Down	Down	Down	Down
16	Down	Down	Down	Down	Down	Down	Down	Down	Down	Down	Down	Down	Down	Down
17	Down	Down	Down	Down	Down	Down	Down	Down	Down	Down	Down	Down	Down	Down
18	Down	Down	Down	Down	Down	Down	Down	Down	Down	Down	Down	Down	Down	Down
19	Down	Down	Down	Down	Down	Down	Down	Down	Down	Down	Down	Down	Down	Down
20	Down	Down	Down	Down	Down	Down	Down	Down	Down	Down	Down	Down	Down	Down
21	Down	Down	Down	Down	Down	Down	Down	Down	Down	Down	Down	Down	Down	Down
22	Down	Down	Down	Down	Down	Down	Down	Down	Down	Down	Down	Down	Down	Down
23	Down	Down	Down	Down	Down	Down	Down	Down	Down	Down	Down	Down	Down	Down
Average Total	Down	Down	Down	Down	Down	Down		Down		Down	Down		Down	
30-Day Rlg			0.16	154.1							0.18			

Cedar Bay Generating
 Jacksonville, FLA
Boiler 1-C Daily Emissions Report
 August 29, 2002

<i>Emission Limits</i>		
	lb/mmBtu	lb/hr
CO 8-Hour Rolling Average	0.175	186
SO2 3-Hour Rolling Average	0.3	318.9
NOx 30-Day Rolling Average	0.17	180.7
SO2 30-Day Rolling Average	0.2	-----

Hour	CO2%	NOx ppm	NOx lb/mmBtu	NOx lbs	CO ppm	CO lb/mmBtu	CO lb/mmBtu 8-Hr Rlg	CO lbs	CO lbs 8-Hr Rlg	SO2 ppm	SO2 lb/mmBtu	SO2 lb/mmBtu 3-Hr Rlg	SO2 lbs	SO2 lbs 3-Hr Rlg
00	Down	Down	Down	Down	Down	Down	Down	Down	Down	Down	Down	Down	Down	Down
01	Down	Down	Down	Down	Down	Down	Down	Down	Down	Down	Down	Down	Down	Down
02	Down	Down	Down	Down	Down	Down	Down	Down	Down	Down	Down	Down	Down	Down
03	Down	Down	Down	Down	Down	Down	Down	Down	Down	Down	Down	Down	Down	Down
04	Down	Down	Down	Down	Down	Down	Down	Down	Down	Down	Down	Down	Down	Down
05	Down	Down	Down	Down	Down	Down	Down	Down	Down	Down	Down	Down	Down	Down
06	Down	Down	Down	Down	Down	Down	Down	Down	Down	Down	Down	Down	Down	Down
07	Down	Down	Down	Down	Down	Down	Down	Down	Down	Down	Down	Down	Down	Down
08	Down	Down	Down	Down	Down	Down	Down	Down	Down	Down	Down	Down	Down	Down
09	Down	Down	Down	Down	Down	Down	Down	Down	Down	Down	Down	Down	Down	Down
10	Down	Down	Down	Down	Down	Down	Down	Down	Down	Down	Down	Down	Down	Down
11	Down	Down	Down	Down	Down	Down	Down	Down	Down	Down	Down	Down	Down	Down
12	Down	Down	Down	Down	Down	Down	Down	Down	Down	Down	Down	Down	Down	Down
13	Down	Down	Down	Down	Down	Down	Down	Down	Down	Down	Down	Down	Down	Down
14	Down	Down	Down	Down	Down	Down	Down	Down	Down	Down	Down	Down	Down	Down
15	Down	Down	Down	Down	Down	Down	Down	Down	Down	Down	Down	Down	Down	Down
16	Down	Down	Down	Down	Down	Down	Down	Down	Down	Down	Down	Down	Down	Down
17	Down	Down	Down	Down	Down	Down	Down	Down	Down	Down	Down	Down	Down	Down
18	Down	Down	Down	Down	Down	Down	Down	Down	Down	Down	Down	Down	Down	Down
19	Down	Down	Down	Down	Down	Down	Down	Down	Down	Down	Down	Down	Down	Down
20	Down	Down	Down	Down	Down	Down	Down	Down	Down	Down	Down	Down	Down	Down
21	Down	Down	Down	Down	Down	Down	Down	Down	Down	Down	Down	Down	Down	Down
22	Down	Down	Down	Down	Down	Down	Down	Down	Down	Down	Down	Down	Down	Down
23	Down	Down	Down	Down	Down	Down	Down	Down	Down	Down	Down	Down	Down	Down
Average Total 30-Day Rlg	Down	Down	Down	Down	Down	Down	Down	Down	Down	Down	Down	Down	Down	Down
			0.16	154.1								0.18		

Cedar Bay Generating
 Jacksonville, FLA
Boiler 1-C Daily Emissions Report
 August 30, 2002

<i>Emission Limits</i>		
	lb/mmBtu	lb/hr
CO 8-Hour Rolling Average	0.175	186
SO2 3-Hour Rolling Average	0.3	318.9
NOx 30-Day Rolling Average	0.17	180.7
SO2 30-Day Rolling Average	0.2	-----

Hour	CO2%	NOx ppm	NOx lb/mmBtu	NOx lbs	CO ppm	CO lb/mmBtu	CO lb/mmBtu 8-Hr Rlg	CO lbs	CO lbs 8-Hr Rlg	SO2 ppm	SO2 lb/mmBtu	SO2 lb/mmBtu 3-Hr Rlg	SO2 lbs	SO2 lbs 3-Hr Rlg
00	Down	Down	Down	Down	Down	Down	Down	Down	Down	Down	Down	Down	Down	Down
01	Down	Down	Down	Down	Down	Down	Down	Down	Down	Down	Down	Down	Down	Down
02	Down	Down	Down	Down	Down	Down	Down	Down	Down	Down	Down	Down	Down	Down
03	Down	Down	Down	Down	Down	Down	Down	Down	Down	Down	Down	Down	Down	Down
04	Down	Down	Down	Down	Down	Down	Down	Down	Down	Down	Down	Down	Down	Down
05	Down	Down	Down	Down	Down	Down	Down	Down	Down	Down	Down	Down	Down	Down
06	Down	Down	Down	Down	Down	Down	Down	Down	Down	Down	Down	Down	Down	Down
07	Down	Down	Down	Down	Down	Down	Down	Down	Down	Down	Down	Down	Down	Down
08	Down	Down	Down	Down	Down	Down	Down	Down	Down	Down	Down	Down	Down	Down
09	Down	Down	Down	Down	Down	Down	Down	Down	Down	Down	Down	Down	Down	Down
10	3.1	9.8	0.054	15.0	989.4	3.287	Inval	913.1	Inval	0.0	0.000	Inval	0.00	Inval
11	3.2	12.1	0.064	18.0	989.6	3.185	Inval	893.4	Inval	0.0	0.000	Inval	0.00	Inval
12	4.3	56.6	0.234	75.7	678.1	1.709	Inval	551.6	Inval	0.0	0.000	0.00	0.00	0.0
13	12.7	204.4	0.361	226.5	76.9	0.083	Inval	52.1	Inval	0.3	0.001	0.00	0.63	0.2
14	12.7	117.0	0.210	168.9	37.1	0.040	Inval	32.2	Inval	9.2	0.023	0.01	18.50	6.4
15	13.5	122.6	0.207	200.3	34.4	0.035	Inval	33.9	Inval	109.5	0.257	0.09	248.65	89.3
16	13.4	116.2	0.197	191.3	33.4	0.035	Inval	34.0	Inval	61.3	0.145	0.14	140.78	136.0
17	13.5	121.7	0.205	203.5	30.4	0.031	1.051	30.8	318	142.4	0.334	0.25	331.50	240.3
18	13.4	118.1	0.200	196.5	30.8	0.032	0.644	31.4	207	61.9	0.146	0.21	143.46	205.2
19	13.4	120.5	0.205	205.3	26.3	0.027	0.249	27.0	99	94.1	0.222	0.23	222.31	232.4
20	13.6	96.4	0.161	158.8	27.7	0.028	0.039	27.6	34	142.6	0.332	0.23	327.52	231.1
21	13.2	81.3	0.140	133.3	31.5	0.033	0.033	31.4	31	73.2	0.175	0.24	166.57	238.8
22	12.9	111.4	0.196	186.2	28.1	0.030	0.031	28.5	31	24.9	0.061	0.19	57.96	184.0
23	12.7	110.0	0.197	188.6	26.5	0.029	0.031	27.8	30	34.5	0.086	0.11	82.34	102.3
Average	11.1	99.9	0.188	154.9	217.2	0.613		194		53.9	0.13		124.3	
Total				2167.9				2715					1740.2	
30-Day Rlg			0.16	154.1							0.18			

Cedar Bay Generating
 Jacksonville, FLA
Boiler 1-C Daily Emissions Report
 August 31, 2002

<i>Emission Limits</i>		
	lb/mmBtu	lb/hr
CO 8-Hour Rolling Average	0.175	186
SO2 3-Hour Rolling Average	0.3	318.9
NOx 30-Day Rolling Average	0.17	180.7
SO2 30-Day Rolling Average	0.2	-----

Hour	CO2%	NOx ppm	NOx lb/mmBtu	NOx lbs	CO ppm	CO lb/mmBtu	CO lb/mmBtu 8-Hr Rlg	CO lbs	CO lbs 8-Hr Rlg	SO2 ppm	SO2 lb/mmBtu	SO2 lb/mmBtu 3-Hr Rlg	SO2 lbs	SO2 lbs 3-Hr Rlg
00	12.9	106.7	0.188	183.4	25.4	0.027	0.030	26.3	29	70.5	0.173	0.11	168.74	103.0
01	13.1	101.6	0.176	171.9	25.8	0.027	0.029	26.4	28	99.7	0.241	0.17	235.36	162.1
02	13.2	97.5	0.168	164.3	25.4	0.027	0.029	26.4	28	76.5	0.183	0.20	178.97	194.4
03	13.1	79.8	0.139	134.6	28.0	0.030	0.029	29.1	28	76.1	0.184	0.20	178.24	197.5
04	13.1	91.1	0.158	152.8	27.6	0.029	0.029	28.1	28	54.2	0.131	0.17	126.72	161.3
05	12.8	108.9	0.194	188.5	23.5	0.025	0.028	24.3	27	42.6	0.105	0.14	102.05	135.7
06	12.8	101.2	0.180	176.0	22.1	0.024	0.027	23.5	26	76.6	0.189	0.14	184.82	137.9
07	13.0	81.1	0.142	138.6	24.6	0.026	0.027	25.4	26	125.2	0.305	0.20	297.62	194.8
08	13.3	69.0	0.118	115.3	26.1	0.027	0.027	26.4	26	96.7	0.230	0.24	224.73	235.7
09	12.9	100.4	0.177	172.9	23.0	0.025	0.027	24.4	26	26.0	0.064	0.20	62.52	195.0
10	12.9	97.7	0.172	169.7	22.1	0.024	0.026	23.7	26	54.1	0.133	0.14	131.19	139.5
11	13.2	100.5	0.173	175.2	20.4	0.021	0.025	21.3	25	114.9	0.275	0.16	278.52	157.4
12	13.3	102.6	0.175	177.9	20.0	0.021	0.024	21.3	24	97.0	0.231	0.21	234.81	214.8
13	13.3	92.2	0.158	159.4	21.3	0.022	0.024	22.2	24	120.8	0.288	0.26	290.48	267.9
14	13.2	100.6	0.173	172.6	22.2	0.023	0.024	22.9	23	21.5	0.052	0.19	51.86	192.4
15	13.2	97.6	0.168	168.6	22.8	0.024	0.023	24.1	23	17.6	0.042	0.13	42.15	128.2
16	13.2	102.1	0.176	176.6	23.7	0.025	0.023	25.1	23	14.0	0.034	0.04	34.12	42.7
17	13.2	87.0	0.150	150.5	22.9	0.024	0.023	24.1	23	52.2	0.125	0.07	125.44	67.2
18	13.4	81.8	0.139	139.8	23.9	0.025	0.023	25.1	23	86.9	0.205	0.12	206.19	121.9
19	13.2	94.9	0.163	163.6	22.0	0.023	0.023	23.1	23	48.8	0.117	0.15	117.40	149.7
20	13.1	74.7	0.130	128.0	24.5	0.026	0.024	25.6	24	39.0	0.094	0.14	92.52	138.7
21	12.9	89.1	0.157	154.1	20.4	0.022	0.024	21.6	24	48.2	0.118	0.11	115.85	108.6
22	12.9	87.3	0.154	153.0	24.6	0.026	0.024	25.8	24	72.1	0.177	0.13	175.88	128.1
23	12.6	91.0	0.164	159.8	26.5	0.029	0.025	28.3	25	122.2	0.307	0.20	299.17	197.0
Average	13.1	93.2	0.162	160.3	23.7	0.025		25		68.9	0.17		164.8	
Total				3847.1				595					3955.4	
30-Day Rlg			0.16	155.8							0.18			

Cedar Bay Generating
 Jacksonville, FLA
Boiler 1-C Daily Emissions Report
 September 1, 2002

<i>Emission Limits</i>		
	lb/mmBtu	lb/hr
CO 8-Hour Rolling Average	0.175	186
SO2 3-Hour Rolling Average	0.3	318.9
NOx 30-Day Rolling Average	0.17	180.7
SO2 30-Day Rolling Average	0.2	-----

Hour	CO2%	NOx ppm	NOx		CO ppm	CO		CO lbs	CO lbs 8-Hr Rlg	SO2 ppm	SO2		SO2 lbs	SO2 lbs 3-Hr Rlg
			lb/mmBtu	NOx lbs		lb/mmBtu	8-Hr Rlg				lb/mmBtu	3-Hr Rlg		
00	12.2	92.5	0.172	160.8	30.7	0.035	0.026	32.7	26	71.1	0.184	0.22	172.02	215.7
01	12.4	74.5	0.137	129.6	32.3	0.036	0.028	34.0	27	107.5	0.274	0.26	259.15	243.4
02	12.1	82.7	0.155	142.9	32.0	0.037	0.029	34.1	28	52.9	0.138	0.20	127.21	186.1
03	12.2	78.3	0.146	136.9	34.1	0.039	0.031	36.6	30	97.6	0.253	0.22	237.19	207.9
04	12.0	81.9	0.155	143.5	33.4	0.039	0.033	36.1	31	34.7	0.092	0.16	85.15	149.9
05	11.8	82.4	0.159	147.3	33.7	0.040	0.035	37.1	33	8.8	0.024	0.12	22.24	114.9
06	11.9	77.8	0.149	138.1	34.1	0.040	0.037	37.1	35	53.6	0.143	0.09	132.50	80.0
07	12.3	70.9	0.131	120.9	33.2	0.037	0.038	34.1	35	88.0	0.227	0.13	209.48	121.4
08	12.2	70.1	0.131	121.2	32.0	0.036	0.038	33.3	35	53.7	0.139	0.17	128.63	156.9
09	12.0	72.3	0.137	127.0	32.4	0.037	0.038	34.3	35	56.5	0.149	0.17	138.08	158.7
10	12.2	69.8	0.130	120.3	32.9	0.037	0.038	34.2	35	103.2	0.268	0.19	248.06	171.6
11	12.1	75.9	0.143	132.2	32.1	0.037	0.038	34.2	35	49.4	0.129	0.18	119.25	168.5
12	11.9	90.2	0.173	159.0	30.8	0.036	0.038	33.1	35	22.8	0.061	0.15	56.07	141.1
13	11.8	85.3	0.164	150.6	32.7	0.038	0.037	34.9	34	49.6	0.133	0.11	122.09	99.1
14	11.6	80.0	0.157	144.6	33.6	0.040	0.037	36.8	34	20.4	0.056	0.08	51.58	76.6
15	11.2	59.0	0.120	102.6	46.9	0.058	0.040	49.6	36	5.9	0.017	0.07	14.53	62.7
16	11.4	44.8	0.089	75.6	48.4	0.059	0.043	50.1	38	4.7	0.013	0.03	11.05	25.7
17	11.2	51.4	0.104	90.5	42.6	0.053	0.045	46.1	40	7.2	0.020	0.02	17.41	14.3
18	11.8	46.9	0.090	84.2	34.9	0.041	0.045	38.4	40	43.9	0.118	0.05	110.38	46.3
19	12.1	58.9	0.111	105.8	29.5	0.034	0.045	32.4	40	78.9	0.206	0.11	196.28	108.0
20	12.0	69.4	0.132	124.8	28.0	0.032	0.044	30.3	40	53.7	0.142	0.16	134.28	147.0
21	12.2	57.1	0.106	99.9	30.9	0.035	0.044	33.0	40	87.1	0.226	0.19	212.89	181.2
22	12.2	66.9	0.125	116.6	30.4	0.035	0.043	32.6	39	58.0	0.150	0.17	139.86	162.3
23	11.8	77.2	0.149	138.9	29.1	0.034	0.040	31.7	37	44.8	0.120	0.17	111.89	154.9
Average	11.9	71.5	0.136	125.6	33.8	0.039		36		52.3	0.14		127.4	
Total				3013.8				867					3057.3	
30-Day Rlg			0.16	155.4							0.18			

Cedar Bay Generating
 Jacksonville, FLA
Boiler 1-C Daily Emissions Report
 September 2, 2002

<i>Emission Limits</i>		
	lb/mmBtu	lb/hr
CO 8-Hour Rolling Average	0.175	186
SO2 3-Hour Rolling Average	0.3	318.9
NOx 30-Day Rolling Average	0.17	180.7
SO2 30-Day Rolling Average	0.2	-----

Hour	CO2%	NOx ppm	NOx lb/mmBtu	NOx lbs	CO ppm	CO lb/mmBtu	CO lb/mmBtu 8-Hr Rlg	CO lbs	CO lbs 8-Hr Rlg	SO2 ppm	SO2 lb/mmBtu	SO2 lb/mmBtu 3-Hr Rlg	SO2 lbs	SO2 lbs 3-Hr Rlg
00	11.8	78.3	0.151	141.9	31.2	0.037	0.038	34.8	35	67.5	0.181	0.15	170.07	140.6
01	12.1	78.8	0.148	143.9	33.4	0.038	0.036	37.0	34	72.8	0.190	0.16	184.78	155.6
02	12.1	81.4	0.153	146.7	31.8	0.036	0.035	34.5	33	45.2	0.118	0.16	113.11	156.0
03	12.0	80.1	0.152	146.1	35.9	0.041	0.036	39.4	34	24.9	0.066	0.12	63.45	120.4
04	12.6	60.4	0.109	107.8	36.1	0.040	0.037	39.6	35	72.3	0.182	0.12	179.96	118.8
05	12.5	69.5	0.127	125.9	32.8	0.036	0.037	35.7	36	40.9	0.104	0.12	103.08	115.5
06	12.3	75.7	0.140	138.8	31.7	0.036	0.037	35.7	36	45.4	0.117	0.13	115.97	133.0
07	12.4	67.4	0.124	123.8	30.4	0.034	0.037	33.9	36	91.6	0.234	0.15	233.63	150.9
08	12.9	74.0	0.131	133.6	27.6	0.030	0.036	30.6	36	119.8	0.294	0.22	299.88	216.5
09	12.7	79.9	0.143	141.9	28.8	0.031	0.036	30.8	35	59.8	0.149	0.23	147.87	227.1
10	12.4	60.1	0.110	107.1	33.6	0.038	0.036	37.0	35	20.4	0.052	0.17	50.61	166.1
11	12.5	54.8	0.100	97.7	33.7	0.037	0.035	36.1	35	50.7	0.128	0.11	125.03	107.8
12	12.6	54.7	0.099	97.8	30.1	0.033	0.034	32.6	34	96.0	0.241	0.14	238.01	137.9
13	12.8	63.8	0.113	112.7	27.7	0.030	0.034	29.9	33	78.4	0.194	0.19	193.46	185.5
14	12.7	67.2	0.120	119.8	29.0	0.032	0.033	31.9	33	61.8	0.154	0.20	153.75	195.1
15	12.9	56.6	0.100	99.6	30.8	0.033	0.033	32.9	33	90.3	0.222	0.19	221.11	189.4
16	12.8	56.1	0.100	99.5	30.5	0.033	0.033	32.8	33	69.5	0.172	0.18	171.11	182.0
17	12.9	65.9	0.116	116.4	28.0	0.030	0.033	30.1	33	80.4	0.197	0.20	197.63	196.6
18	13.4	70.3	0.119	121.8	27.8	0.029	0.032	29.7	32	95.1	0.225	0.20	230.31	199.7
19	13.4	77.6	0.132	136.2	26.2	0.027	0.031	27.9	31	93.2	0.220	0.21	227.04	218.3
20	13.3	65.9	0.113	113.6	29.4	0.031	0.031	31.2	31	62.7	0.149	0.20	149.83	202.4
21	13.2	76.9	0.133	134.1	25.8	0.027	0.030	27.2	30	59.8	0.143	0.17	144.14	173.7
22	13.2	77.2	0.133	134.7	28.9	0.030	0.030	30.4	30	100.8	0.242	0.18	245.10	179.7
23	13.3	71.7	0.123	125.0	31.2	0.032	0.030	32.5	30	95.0	0.226	0.20	229.71	206.3
Average	12.7	69.3	0.125	123.6	30.5	0.033		33		70.6	0.18		174.5	
Total				2966.4				794					4188.6	
30-Day Rlg			0.16	154.4							0.18			

Cedar Bay Generating
 Jacksonville, FLA
Boiler 1-C Daily Emissions Report
 September 3, 2002

<i>Emission Limits</i>		
	lb/mmBtu	lb/hr
CO 8-Hour Rolling Average	0.175	186
SO2 3-Hour Rolling Average	0.3	318.9
NOx 30-Day Rolling Average	0.17	180.7
SO2 30-Day Rolling Average	0.2	-----

Hour	CO2%	NOx ppm	NOx		CO ppm	CO		CO lbs	CO lbs 8-Hr Rlg	SO2 ppm	SO2		SO2 lbs	SO2 lbs 3-Hr Rlg
			lb/mmBtu	NOx lbs		lb/mmBtu	8-Hr Rlg				lb/mmBtu	3-Hr Rlg		
00	13.2	67.9	0.117	118.5	34.5	0.036	0.030	36.5	31	55.8	0.134	0.20	135.72	203.5
01	13.0	69.0	0.121	122.1	33.5	0.036	0.031	36.3	31	60.5	0.147	0.17	148.35	171.3
02	13.0	67.0	0.117	117.9	34.0	0.036	0.032	36.3	32	79.6	0.194	0.16	195.55	159.9
03	13.0	68.1	0.119	120.0	32.8	0.035	0.033	35.3	33	67.5	0.164	0.17	165.31	169.7
04	12.8	80.6	0.143	144.1	31.2	0.034	0.033	34.3	34	41.5	0.103	0.15	103.82	154.9
05	12.8	66.5	0.118	118.9	32.9	0.036	0.034	36.3	35	72.5	0.179	0.15	180.43	149.9
06	12.9	66.6	0.118	119.7	30.6	0.033	0.035	33.5	35	78.1	0.192	0.16	194.69	159.6
07	13.0	72.9	0.128	131.6	27.6	0.029	0.034	29.8	35	84.9	0.207	0.19	212.88	196.0
08	13.1	67.3	0.117	120.5	28.1	0.030	0.034	30.9	34	101.5	0.245	0.21	252.25	219.9
09	13.0	70.5	0.123	126.2	32.2	0.034	0.033	34.9	34	52.1	0.127	0.19	130.30	198.5
10	13.0	73.2	0.128	131.3	33.4	0.036	0.033	36.9	34	81.8	0.199	0.19	204.17	195.6
11	13.2	73.6	0.127	132.4	31.7	0.033	0.033	34.4	34	97.8	0.235	0.19	245.06	193.2
12	13.4	60.9	0.103	106.8	34.0	0.035	0.033	36.3	34	85.3	0.202	0.21	209.43	219.6
13	13.2	68.4	0.118	122.3	36.2	0.038	0.034	39.4	35	55.6	0.133	0.19	137.89	197.5
14	13.1	68.7	0.119	123.4	34.8	0.037	0.034	38.4	35	76.2	0.184	0.17	190.77	179.4
15	13.1	67.2	0.117	121.3	33.4	0.035	0.035	36.3	36	84.0	0.203	0.17	210.47	179.7
16	12.7	74.1	0.133	131.4	28.6	0.031	0.035	30.6	36	96.5	0.241	0.21	238.01	213.1
17	12.7	67.3	0.121	113.1	35.6	0.039	0.036	36.5	36	71.3	0.178	0.21	166.39	205.0
18	12.8	69.0	0.123	114.8	38.2	0.041	0.036	38.3	36	38.2	0.094	0.17	87.76	164.1
19	12.5	82.9	0.151	141.2	36.4	0.040	0.037	37.4	37	16.2	0.041	0.10	38.33	97.5
20	12.6	77.0	0.139	129.8	35.2	0.039	0.038	36.4	37	8.4	0.021	0.05	19.61	48.6
21	12.5	75.3	0.137	127.9	31.9	0.035	0.037	32.7	36	6.8	0.017	0.03	15.87	24.6
22	12.7	72.6	0.130	123.7	34.5	0.038	0.037	36.2	36	19.7	0.049	0.03	46.63	27.4
23	12.9	72.9	0.129	125.9	36.4	0.039	0.038	38.0	36	49.2	0.121	0.06	118.05	60.2
Average	12.9	70.8	0.125	124.4	33.2	0.036		35		61.7	0.15		152.0	
Total				2984.8				852					3647.7	
30-Day Rlg			0.15	153.1							0.18			

Cedar Bay Generating
 Jacksonville, FLA
Boiler 1-C Daily Emissions Report
 September 4, 2002

<i>Emission Limits</i>		
	lb/mmBtu	lb/hr
CO 8-Hour Rolling Average	0.175	186
SO2 3-Hour Rolling Average	0.3	318.9
NOx 30-Day Rolling Average	0.17	180.7
SO2 30-Day Rolling Average	0.2	-----

Hour	CO2%	NOx ppm	NOx lb/mmBtu	NOx lbs	CO ppm	CO lb/mmBtu	CO lb/mmBtu 8-Hr Rlg	CO lbs	CO lbs 8-Hr Rlg	SO2 ppm	SO2 lb/mmBtu	SO2 lb/mmBtu 3-Hr Rlg	SO2 lbs	SO2 lbs 3-Hr Rlg
00	13.0	71.4	0.125	123.0	32.1	0.034	0.038	33.5	36	94.4	0.230	0.13	226.32	130.3
01	13.1	67.1	0.117	115.1	32.2	0.034	0.038	33.5	36	71.8	0.174	0.18	171.22	171.9
02	12.8	69.2	0.123	112.8	35.7	0.039	0.037	35.8	35	34.4	0.085	0.16	77.93	158.5
03	12.3	63.0	0.117	99.7	51.0	0.057	0.039	48.6	37	8.0	0.021	0.09	17.89	89.0
04	12.8	76.4	0.136	128.4	41.0	0.044	0.040	41.6	37	74.9	0.185	0.10	174.71	90.2
05	13.2	87.4	0.151	149.7	30.2	0.032	0.040	31.7	37	60.9	0.146	0.12	144.72	112.4
06	13.2	97.9	0.169	170.4	26.0	0.027	0.038	27.2	36	68.6	0.165	0.17	166.32	161.9
07	13.3	91.7	0.157	158.3	28.7	0.030	0.037	30.2	35	67.5	0.161	0.16	162.29	157.8
08	13.3	92.3	0.158	159.3	30.0	0.031	0.037	31.2	35	49.3	0.117	0.15	117.94	148.9
09	13.2	92.2	0.159	162.0	30.0	0.031	0.036	31.6	35	77.2	0.185	0.15	188.52	156.3
10	13.6	85.3	0.143	146.8	31.9	0.033	0.036	33.9	35	75.8	0.176	0.16	180.63	162.4
11	13.6	95.4	0.160	164.2	30.4	0.031	0.032	31.8	32	78.3	0.182	0.18	186.79	185.3
12	13.6	92.7	0.155	158.3	32.1	0.033	0.031	33.7	31	60.0	0.140	0.17	143.01	170.1
13	13.1	102.1	0.177	176.3	31.1	0.033	0.031	32.9	32	36.5	0.088	0.14	87.67	139.2
14	13.5	95.8	0.161	164.7	31.8	0.033	0.032	33.7	32	96.3	0.226	0.15	231.13	153.9
15	13.6	100.6	0.168	172.4	31.2	0.032	0.032	32.8	33	76.6	0.178	0.16	182.68	167.2
16	13.7	95.4	0.158	162.2	31.0	0.031	0.032	31.8	33	105.2	0.243	0.22	249.39	221.1
17	13.7	97.5	0.162	166.3	30.3	0.031	0.032	31.8	33	87.7	0.203	0.21	208.34	213.5
18	13.9	94.9	0.155	158.5	31.2	0.031	0.032	31.7	33	145.5	0.331	0.26	338.51	265.4
19	13.7	114.6	0.190	191.1	30.8	0.031	0.032	31.2	32	76.5	0.177	0.24	178.04	241.6
20	13.2	102.1	0.176	175.3	26.8	0.028	0.031	27.9	32	40.2	0.096	0.20	95.64	204.1
21	13.0	90.7	0.159	154.6	38.1	0.041	0.032	39.9	33	37.8	0.092	0.12	89.45	121.0
22	13.0	75.3	0.132	124.7	44.4	0.047	0.034	44.4	34	43.4	0.106	0.10	100.14	95.1
23	13.0	81.1	0.142	134.1	44.4	0.047	0.036	44.4	35	44.5	0.108	0.10	102.03	97.2
Average	13.3	88.8	0.152	151.2	33.4	0.035		34		67.1	0.16		159.2	
Total				3628.2				827					3821.3	
30-Day Rlg			0.15	152.6							0.18			

Cedar Bay Generating
 Jacksonville, FLA
Boiler 1-C Daily Emissions Report
 September 5, 2002

<i>Emission Limits</i>		
	lb/mmBtu	lb/hr
CO 8-Hour Rolling Average	0.175	186
SO2 3-Hour Rolling Average	0.3	318.9
NOx 30-Day Rolling Average	0.17	180.7
SO2 30-Day Rolling Average	0.2	-----

Hour	CO2%	NOx ppm	NOx lb/mmBtu	NOx lbs	CO ppm	CO lb/mmBtu	CO 8-Hr Rlg	CO lbs	CO lbs 8-Hr Rlg	SO2 ppm	SO2 lb/mmBtu	SO2 3-Hr Rlg	SO2 lbs	SO2 lbs 3-Hr Rlg
00	13.0	81.2	0.142	134.5	41.9	0.045	0.038	42.6	37	42.9	0.104	0.11	98.50	100.2
01	12.9	78.1	0.138	131.0	38.3	0.041	0.039	38.9	38	58.7	0.144	0.12	136.73	112.4
02	13.0	61.4	0.107	101.9	38.8	0.041	0.040	39.0	39	104.4	0.254	0.17	241.78	159.0
03	13.2	64.8	0.112	107.7	45.5	0.048	0.042	46.2	40	97.1	0.233	0.21	224.03	200.8
04	13.5	67.2	0.113	111.5	43.4	0.045	0.044	44.4	42	136.7	0.320	0.27	315.74	260.5
05	13.5	91.4	0.154	154.7	37.1	0.038	0.044	38.2	42	73.7	0.173	0.24	173.81	237.9
06	13.4	99.3	0.169	170.8	33.3	0.034	0.042	34.4	41	63.2	0.149	0.21	150.59	213.4
07	13.5	98.4	0.166	167.4	32.3	0.033	0.041	33.3	40	90.3	0.212	0.18	213.76	179.4
08	13.9	85.7	0.140	141.5	35.4	0.035	0.039	35.4	39	117.5	0.267	0.21	269.86	211.4
09	12.6	65.0	0.117	117.8	34.4	0.038	0.039	38.3	39	65.6	0.165	0.21	166.17	216.6
10	Maint	Maint	Maint	Maint	Maint	Maint	Maint	Maint	Maint	Maint	Maint	Maint	Maint	Maint
11	Maint	Maint	Maint	Maint	Maint	Maint	Maint	Maint	Maint	Maint	Maint	Maint	Maint	Maint
12	Maint	Maint	Maint	Maint	Maint	Maint	Maint	Maint	Maint	Maint	Maint	Maint	Maint	Maint
13	14.2	102.5	0.164	166.5	31.1	0.030	Maint	30.5	Maint	143.8	0.321	Maint	325.88	Maint
14	14.2	89.8	0.144	147.2	34.5	0.034	Maint	34.8	Maint	81.8	0.182	Maint	186.08	Maint
15	14.1	98.9	0.160	164.0	34.4	0.034	Maint	34.9	Maint	68.0	0.153	0.22	156.84	222.9
16	14.0	103.5	0.168	172.2	32.4	0.032	Maint	32.8	Maint	74.5	0.168	0.17	172.22	171.7
17	14.0	103.5	0.168	172.2	32.4	0.032	Maint	32.8	Maint	78.6	0.178	0.17	182.47	170.5
18	13.8	104.1	0.172	176.3	31.2	0.031	Maint	31.8	Maint	79.7	0.183	0.18	187.59	180.8
19	13.7	104.8	0.174	178.2	30.6	0.031	Maint	31.7	Maint	72.9	0.168	0.18	172.02	180.7
20	13.2	110.4	0.190	189.1	31.1	0.033	0.032	32.8	33	20.3	0.049	0.13	48.76	136.1
21	12.7	105.0	0.188	179.2	41.1	0.045	0.034	42.9	34	3.9	0.010	0.08	9.53	76.8
22	12.6	80.1	0.145	137.2	43.3	0.048	0.036	45.4	36	4.5	0.011	0.02	10.40	22.9
23	12.6	71.2	0.128	119.8	44.4	0.049	0.038	45.9	37	7.5	0.019	0.01	17.79	12.6
Average	13.4	88.9	0.150	149.6	36.5	0.038		37		70.7	0.16		164.8	
Total				3140.7				787					3460.6	
30-Day Rlg			0.15	152.1							0.18			

Cedar Bay Generating
 Jacksonville, FLA
Boiler 1-C Daily Emissions Report
 September 6, 2002

<i>Emission Limits</i>		
	lb/mmBtu	lb/hr
CO 8-Hour Rolling Average	0.175	186
SO2 3-Hour Rolling Average	0.3	318.9
NOx 30-Day Rolling Average	0.17	180.7
SO2 30-Day Rolling Average	0.2	-----

Hour	CO2%	NOx ppm	NOx		CO ppm	CO		CO lbs	CO lbs 8-Hr Rlg	SO2 ppm	SO2		SO2 lbs	SO2 lbs 3-Hr Rlg
			lb/mmBtu	NOx lbs		lb/mmBtu	8-Hr Rlg				lb/mmBtu	3-Hr Rlg		
00	12.5	66.6	0.121	111.3	46.4	0.051	0.040	46.9	39	7.0	0.018	0.02	16.55	14.9
01	12.6	56.4	0.102	94.0	47.8	0.052	0.043	48.9	41	13.5	0.034	0.02	31.34	21.9
02	12.5	56.4	0.103	95.3	46.3	0.051	0.045	47.2	43	21.8	0.055	0.04	50.90	32.9
03	12.5	46.7	0.085	79.1	45.8	0.051	0.048	47.4	45	32.9	0.083	0.06	77.21	53.2
04	12.5	54.0	0.098	88.0	49.8	0.055	0.050	49.4	47	23.9	0.060	0.07	53.87	60.7
05	12.5	48.6	0.088	78.6	52.9	0.059	0.052	52.7	48	25.6	0.065	0.07	58.05	63.0
06	13.1	55.3	0.096	92.3	48.7	0.051	0.052	49.0	48	69.4	0.168	0.10	161.53	91.2
07	13.4	80.1	0.136	131.7	47.5	0.049	0.052	47.5	49	78.7	0.186	0.14	180.18	133.3
08	13.9	79.7	0.130	130.2	43.5	0.043	0.051	42.7	48	109.0	0.248	0.20	246.46	196.1
09	12.8	103.1	0.183	166.2	43.0	0.046	0.051	41.8	47	4.7	0.012	0.15	10.90	145.8
10	13.2	67.5	0.116	110.0	42.3	0.044	0.050	41.7	47	56.2	0.135	0.13	128.02	128.5
11	14.2	97.8	0.157	155.7	40.9	0.040	0.048	39.7	46	91.8	0.204	0.12	203.26	114.1
12	14.4	93.0	0.147	146.3	39.0	0.038	0.046	37.8	44	133.4	0.293	0.21	291.56	207.6
13	14.3	103.5	0.165	163.2	39.4	0.038	0.044	37.6	42	69.0	0.153	0.22	151.33	215.4
14	14.4	114.8	0.181	180.5	35.2	0.034	0.042	33.9	40	106.6	0.234	0.23	233.42	225.4
15	14.4	115.9	0.183	182.5	35.6	0.034	0.040	33.9	39	89.4	0.196	0.19	196.51	193.8
16	14.3	99.2	0.158	159.9	35.1	0.034	0.039	34.4	38	80.8	0.179	0.20	181.13	203.7
17	14.4	84.4	0.133	134.7	35.0	0.034	0.037	34.4	37	100.5	0.221	0.20	223.90	200.5
18	14.5	70.0	0.110	111.4	38.0	0.036	0.036	36.5	36	108.6	0.237	0.21	240.10	215.0
19	14.6	83.2	0.130	131.7	39.2	0.037	0.036	37.5	36	100.4	0.217	0.23	220.86	228.3
20	14.5	109.7	0.172	172.0	37.0	0.035	0.035	35.0	35	58.9	0.129	0.19	128.99	196.7
21	13.5	152.0	0.256	242.8	45.8	0.047	0.036	44.6	36	1.9	0.004	0.12	3.79	117.9
22	13.4	121.5	0.206	195.1	46.9	0.048	0.038	45.5	38	3.6	0.009	0.05	8.52	47.1
23	13.6	100.2	0.168	159.3	48.1	0.049	0.040	46.5	39	8.9	0.021	0.01	19.91	10.7
Average	13.6	85.8	0.143	138.0	42.9	0.044		42		58.2	0.13		129.9	
Total				3311.8				1013					3118.3	
30-Day Rlg			0.15	151.0							0.17			

Cedar Bay Generating
 Jacksonville, FLA
Boiler 1-C Daily Emissions Report
 September 7, 2002

<i>Emission Limits</i>		
	lb/mmBtu	lb/hr
CO 8-Hour Rolling Average	0.175	186
SO2 3-Hour Rolling Average	0.3	318.9
NOx 30-Day Rolling Average	0.17	180.7
SO2 30-Day Rolling Average	0.2	-----

Hour	CO2%	NOx ppm	NOx		CO ppm	CO		CO lbs	CO lbs 8-Hr Rlg	SO2 ppm	SO2		SO2 lbs	SO2 lbs 3-Hr Rlg
			lb/mmBtu	NOx lbs		lb/mmBtu	8-Hr Rlg				lb/mmBtu	3-Hr Rlg		
00	13.4	97.5	0.166	157.4	44.9	0.046	0.042	43.6	40	6.1	0.014	0.01	13.28	13.9
01	13.4	94.9	0.161	152.5	42.5	0.044	0.043	41.7	41	9.2	0.022	0.02	20.84	18.0
02	12.9	101.0	0.178	161.5	41.8	0.045	0.044	40.8	42	2.1	0.005	0.01	4.54	12.9
03	13.3	68.9	0.118	110.9	43.9	0.046	0.045	43.2	43	35.5	0.084	0.04	78.95	34.8
04	13.9	72.1	0.118	117.4	41.5	0.041	0.046	40.8	43	65.4	0.149	0.08	148.27	77.3
05	13.6	80.3	0.134	132.1	38.9	0.040	0.045	39.4	43	52.6	0.122	0.12	120.23	115.8
06	13.4	66.4	0.113	110.5	40.6	0.042	0.044	41.1	42	58.2	0.137	0.14	134.03	134.2
07	13.4	71.3	0.121	119.2	39.8	0.041	0.043	40.4	41	67.9	0.160	0.14	157.68	137.3
08	13.5	74.8	0.126	123.7	39.2	0.040	0.042	39.3	41	140.0	0.328	0.21	322.06	204.6
09	13.5	75.7	0.128	125.8	39.7	0.041	0.042	40.3	41	64.3	0.151	0.21	148.45	209.4
10	13.8	66.3	0.109	108.2	41.7	0.042	0.042	41.7	41	70.9	0.163	0.21	161.81	210.8
11	14.1	77.5	0.125	125.9	39.6	0.039	0.041	39.3	40	74.9	0.168	0.16	169.19	159.8
12	14.2	64.3	0.103	104.5	40.3	0.039	0.041	39.6	40	79.6	0.177	0.17	179.53	170.2
13	14.3	77.5	0.123	124.9	40.0	0.039	0.040	39.6	40	86.6	0.192	0.18	194.98	181.2
14	14.4	86.5	0.137	139.5	39.0	0.038	0.040	38.7	40	100.5	0.221	0.20	224.96	199.8
15	14.4	90.4	0.143	145.0	38.9	0.037	0.039	37.5	40	88.9	0.195	0.20	197.79	205.9
16	14.1	90.1	0.145	147.2	38.8	0.038	0.039	38.6	39	51.9	0.116	0.18	117.80	180.2
17	13.9	64.0	0.105	107.1	36.7	0.037	0.039	37.8	39	70.6	0.161	0.16	164.27	160.0
18	13.7	66.3	0.110	112.5	34.7	0.035	0.038	35.8	38	72.3	0.167	0.15	170.79	151.0
19	13.6	62.7	0.105	107.4	34.5	0.035	0.037	35.8	38	79.2	0.184	0.17	188.18	174.4
20	12.7	76.1	0.136	131.3	33.1	0.036	0.037	34.7	37	19.1	0.048	0.13	46.32	135.1
21	12.6	63.3	0.114	107.6	45.0	0.049	0.038	46.2	38	12.1	0.030	0.09	28.31	87.6
22	12.9	56.6	0.100	94.6	46.0	0.049	0.040	46.3	39	54.5	0.134	0.07	126.75	67.1
23	13.2	51.8	0.089	85.0	43.7	0.046	0.041	44.0	40	90.9	0.218	0.13	208.30	121.1
Average	13.6	74.8	0.125	123.0	40.2	0.041		40		60.6	0.14		138.6	
Total				2951.7				966					3327.3	
30-Day Rlg			0.15	149.9							0.17			

Cedar Bay Generating
 Jacksonville, FLA
Boiler 1-C Daily Emissions Report
 September 8, 2002

<i>Emission Limits</i>		
	lb/mmBtu	lb/hr
CO 8-Hour Rolling Average	0.175	186
SO2 3-Hour Rolling Average	0.3	318.9
NOx 30-Day Rolling Average	0.17	180.7
SO2 30-Day Rolling Average	0.2	-----

Hour	CO2%	NOx ppm	NOx lb/mmBtu	NOx lbs	CO ppm	CO lb/mmBtu	CO 8-Hr Rlg	CO lbs	CO lbs 8-Hr Rlg	SO2 ppm	SO2 lb/mmBtu	SO2 3-Hr Rlg	SO2 lbs	SO2 lbs 3-Hr Rlg
00	13.1	50.3	0.087	83.1	44.3	0.047	0.042	44.9	41	69.5	0.168	0.17	160.52	165.2
01	13.0	53.1	0.093	88.9	42.7	0.045	0.043	43.0	41	73.0	0.178	0.19	170.08	179.6
02	13.0	54.7	0.096	91.6	39.7	0.042	0.044	40.1	42	98.3	0.239	0.20	228.13	186.2
03	12.9	51.2	0.090	86.1	39.6	0.042	0.045	40.2	42	57.9	0.142	0.19	135.85	178.0
04	13.0	57.3	0.100	95.9	37.0	0.039	0.045	37.4	43	74.5	0.181	0.19	173.60	179.2
05	13.0	61.2	0.107	103.5	35.9	0.038	0.044	36.8	42	85.6	0.208	0.18	201.24	170.2
06	13.1	79.3	0.138	138.3	33.4	0.035	0.042	35.1	40	44.5	0.107	0.17	107.25	160.7
07	12.8	75.8	0.135	134.3	32.4	0.035	0.040	34.8	39	59.0	0.146	0.15	145.28	151.3
08	12.8	74.7	0.133	133.6	31.1	0.034	0.039	34.2	38	88.1	0.218	0.16	219.02	157.2
09	13.0	70.3	0.123	125.2	34.5	0.037	0.038	37.7	37	86.3	0.210	0.19	213.76	192.7
10	13.4	80.6	0.137	140.9	37.9	0.039	0.037	40.1	37	73.3	0.173	0.20	177.97	203.6
11	13.6	97.4	0.163	171.0	35.4	0.036	0.037	37.8	37	85.3	0.198	0.19	207.72	199.8
12	13.6	89.1	0.149	154.7	36.6	0.037	0.036	38.4	37	74.4	0.173	0.18	179.63	188.4
13	13.5	96.5	0.163	169.4	33.4	0.034	0.036	35.3	37	63.8	0.150	0.17	155.93	181.1
14	13.5	92.3	0.155	161.5	31.7	0.033	0.036	34.4	37	92.7	0.217	0.18	226.09	187.2
15	13.6	90.3	0.151	158.1	30.3	0.031	0.035	32.4	36	87.3	0.203	0.19	212.48	198.2
16	13.6	93.7	0.157	165.1	30.2	0.031	0.035	32.6	36	84.8	0.197	0.21	207.15	215.2
17	13.8	96.8	0.160	168.2	32.1	0.032	0.034	33.6	36	84.0	0.193	0.20	202.94	207.5
18	13.7	93.7	0.156	164.0	31.5	0.032	0.033	33.6	35	77.1	0.178	0.19	187.17	199.1
19	13.8	79.5	0.131	137.3	34.3	0.034	0.033	35.6	34	88.3	0.202	0.19	211.68	200.6
20	13.3	87.7	0.150	150.3	31.5	0.033	0.033	33.1	34	27.2	0.065	0.15	65.15	154.7
21	13.1	97.2	0.169	167.2	36.5	0.039	0.033	38.6	34	48.1	0.116	0.13	114.74	130.5
22	13.3	94.0	0.161	158.3	38.9	0.040	0.034	40.3	35	94.7	0.225	0.14	221.20	133.7
23	13.0	97.8	0.171	164.8	37.1	0.040	0.035	38.6	36	36.9	0.090	0.14	86.75	140.9
Average	13.3	79.8	0.136	138.0	35.3	0.037		37		73.1	0.17		175.5	
Total				3311.3				889					4211.3	
30-Day Rlg			0.15	150.0							0.17			

Cedar Bay Generating
 Jacksonville, FLA
Boiler 1-C Daily Emissions Report
 September 9, 2002

<i>Emission Limits</i>		
	lb/mmBtu	lb/hr
CO 8-Hour Rolling Average	0.175	186
SO2 3-Hour Rolling Average	0.3	318.9
NOx 30-Day Rolling Average	0.17	180.7
SO2 30-Day Rolling Average	0.2	-----

Hour	CO2%	NOx ppm	NOx lb/mmBtu	NOx lbs	CO ppm	CO lb/mmBtu	CO lb/mmBtu 8-Hr Rlg	CO lbs	CO lbs 8-Hr Rlg	SO2 ppm	SO2 lb/mmBtu	SO2 lb/mmBtu 3-Hr Rlg	SO2 lbs	SO2 lbs 3-Hr Rlg
00	13.3	97.1	0.166	164.2	33.6	0.035	0.036	34.6	36	92.3	0.220	0.18	217.60	175.2
01	13.3	97.4	0.167	165.2	33.3	0.035	0.036	34.6	36	79.7	0.190	0.17	187.93	164.1
02	13.3	87.4	0.149	148.4	34.4	0.036	0.037	35.6	36	93.4	0.222	0.21	219.58	208.4
03	13.5	72.2	0.122	120.8	39.8	0.041	0.037	40.6	37	58.5	0.137	0.18	135.67	181.1
04	13.6	85.6	0.143	145.0	33.2	0.034	0.038	34.5	37	97.5	0.227	0.20	230.25	195.2
05	13.7	84.7	0.141	142.7	34.5	0.035	0.037	35.4	37	90.3	0.209	0.19	211.49	192.5
06	13.7	81.5	0.135	135.8	39.1	0.039	0.037	39.2	37	84.6	0.195	0.21	196.15	212.6
07	13.8	90.2	0.149	149.7	35.9	0.036	0.036	36.2	36	84.4	0.194	0.20	194.91	200.9
08	13.8	90.4	0.149	149.5	37.2	0.037	0.037	37.1	37	69.7	0.160	0.18	160.56	183.9
09	13.6	105.8	0.177	177.2	32.3	0.033	0.036	33.0	36	51.3	0.119	0.16	119.13	158.2
10	13.5	101.3	0.171	172.0	32.7	0.034	0.036	34.2	36	71.8	0.168	0.15	168.99	149.6
11	13.8	99.9	0.165	170.5	30.7	0.031	0.035	32.0	35	145.1	0.333	0.21	344.16	210.8
12	13.7	120.2	0.200	205.5	29.7	0.030	0.034	30.8	35	78.2	0.181	0.23	185.98	233.0
13	13.8	91.7	0.151	155.2	31.5	0.032	0.034	32.9	34	99.5	0.228	0.25	234.27	254.8
14	13.7	95.4	0.158	161.8	33.5	0.034	0.033	34.8	34	61.5	0.142	0.18	145.39	188.5
15	13.4	115.3	0.196	200.9	29.4	0.030	0.033	30.8	33	53.8	0.127	0.17	130.19	170.0
16	13.4	97.9	0.166	170.6	30.6	0.032	0.032	32.9	33	74.0	0.175	0.15	179.81	151.8
17	13.5	93.6	0.158	162.3	29.3	0.030	0.032	30.8	32	99.9	0.234	0.18	240.44	183.5
18	13.6	85.6	0.143	146.9	29.6	0.030	0.031	30.8	32	105.6	0.246	0.22	252.77	224.3
19	13.6	81.9	0.137	139.5	32.3	0.033	0.031	33.6	32	76.7	0.178	0.22	181.19	224.8
20	12.9	89.1	0.157	151.5	29.1	0.031	0.032	29.9	32	15.8	0.039	0.15	37.64	157.2
21	13.0	65.6	0.115	111.1	40.9	0.044	0.033	42.5	33	41.5	0.101	0.11	97.60	105.5
22	12.9	78.6	0.139	134.3	39.7	0.043	0.034	41.6	34	41.4	0.102	0.08	98.56	77.9
23	13.2	64.0	0.110	107.2	40.7	0.043	0.036	41.9	36	70.1	0.168	0.12	163.75	120.0
Average	13.5	90.5	0.153	153.7	33.9	0.035		35		76.5	0.18		180.6	
Total				3687.8				840					4334.0	
30-Day Rlg			0.15	149.9							0.17			

Cedar Bay Generating
 Jacksonville, FLA
Boiler 1-C Daily Emissions Report
 September 10, 2002

<i>Emission Limits</i>		
	lb/mmBtu	lb/hr
CO 8-Hour Rolling Average	0.175	186
SO2 3-Hour Rolling Average	0.3	318.9
NOx 30-Day Rolling Average	0.17	180.7
SO2 30-Day Rolling Average	0.2	-----

Hour	CO2%	NOx ppm	NOx lb/mmBtu	NOx lbs	CO ppm	CO lb/mmBtu	CO lb/mmBtu 8-Hr Rlg	CO lbs	CO lbs 8-Hr Rlg	SO2 ppm	SO2 lb/mmBtu	SO2 lb/mmBtu 3-Hr Rlg	SO2 lbs	SO2 lbs 3-Hr Rlg
00	13.3	69.7	0.119	117.1	36.7	0.038	0.037	37.4	36	77.7	0.185	0.15	182.10	148.1
01	13.4	66.2	0.112	110.6	37.4	0.039	0.038	38.5	37	78.9	0.186	0.18	183.75	176.5
02	13.2	80.2	0.138	135.5	34.0	0.036	0.038	35.3	38	59.6	0.143	0.17	140.41	168.8
03	13.5	66.2	0.112	109.6	37.4	0.038	0.039	37.2	38	94.7	0.222	0.18	217.18	180.4
04	13.3	83.5	0.143	139.9	38.2	0.040	0.040	39.1	39	37.5	0.089	0.15	87.07	148.2
05	13.1	80.5	0.140	135.6	34.5	0.036	0.039	34.9	38	63.3	0.153	0.15	148.21	150.8
06	13.3	73.6	0.126	122.2	34.9	0.036	0.038	34.9	37	78.7	0.187	0.14	181.37	138.9
07	13.1	76.3	0.132	128.7	37.1	0.039	0.038	38.0	37	71.8	0.173	0.17	168.62	166.1
08	13.3	72.1	0.123	119.4	35.2	0.037	0.038	35.9	37	95.8	0.228	0.20	221.39	190.5
09	13.3	76.5	0.131	127.5	34.9	0.036	0.037	35.0	36	53.2	0.127	0.18	123.58	171.2
10	12.2	193.8	0.361	305.1	53.4	0.061	0.040	51.5	38	31.4	0.081	0.15	68.44	137.8
11	13.6	111.2	0.186	187.1	36.7	0.037	0.040	37.2	38	116.5	0.271	0.16	272.60	154.9
12	13.8	98.4	0.162	162.6	36.3	0.036	0.040	36.1	38	106.7	0.245	0.20	245.86	195.6
13	13.7	129.8	0.215	215.8	35.7	0.036	0.040	36.1	38	48.2	0.111	0.21	111.39	210.0
14	13.8	120.4	0.198	198.7	34.1	0.034	0.040	34.1	38	59.4	0.136	0.16	136.48	164.6
15	13.8	139.4	0.230	230.8	33.2	0.033	0.039	33.1	37	41.8	0.096	0.11	96.34	114.7
16	13.8	151.8	0.250	250.9	33.2	0.033	0.038	33.1	37	29.4	0.067	0.10	67.23	100.0
17	13.7	133.8	0.222	222.8	31.5	0.032	0.038	32.1	37	24.0	0.055	0.07	55.19	72.9
18	13.4	106.2	0.180	179.8	32.3	0.033	0.034	33.0	34	36.1	0.085	0.07	84.89	69.1
19	13.3	87.5	0.150	148.7	33.7	0.035	0.034	34.7	34	67.5	0.161	0.10	159.63	99.9
20	13.3	87.0	0.149	144.0	34.4	0.036	0.034	34.8	34	53.5	0.127	0.12	122.72	122.4
21	13.2	82.0	0.141	136.1	32.6	0.034	0.034	32.8	33	78.0	0.187	0.16	180.47	154.3
22	13.3	95.4	0.163	159.1	38.4	0.040	0.035	39.0	34	55.8	0.133	0.15	129.79	144.3
23	13.4	81.1	0.138	134.7	39.9	0.041	0.036	40.0	35	99.7	0.235	0.19	229.34	179.9
Average	13.4	98.4	0.168	163.4	36.1	0.037		36		65.0	0.15		150.6	
Total				3922.3				874					3614.1	
30-Day Rlg			0.15	149.9							0.17			

Cedar Bay Generating
 Jacksonville, FLA
Boiler 1-C Daily Emissions Report
 September 11, 2002

<i>Emission Limits</i>		
	lb/mmBtu	lb/hr
CO 8-Hour Rolling Average	0.175	186
SO2 3-Hour Rolling Average	0.3	318.9
NOx 30-Day Rolling Average	0.17	180.7
SO2 30-Day Rolling Average	0.2	-----

Hour	CO2%	NOx ppm	NOx		CO ppm	CO		CO lbs 8-Hr Rlg	CO lbs 8-Hr Rlg	SO2 ppm	SO2		SO2 lbs 3-Hr Rlg	SO2 lbs 3-Hr Rlg
			lb/mmBtu	NOx lbs		lb/mmBtu	8-Hr Rlg				lb/mmBtu	3-Hr Rlg		
00	13.4	81.1	0.138	133.7	43.1	0.044	0.037	43.6	36	56.9	0.134	0.17	129.81	163.0
01	13.2	85.0	0.146	139.3	42.1	0.044	0.038	42.0	37	65.4	0.157	0.18	149.83	169.7
02	13.2	77.3	0.133	127.1	42.8	0.045	0.040	43.0	39	80.2	0.192	0.16	183.46	154.4
03	13.2	81.6	0.141	135.4	38.4	0.040	0.041	38.4	39	92.2	0.221	0.19	212.23	181.8
04	13.5	73.6	0.124	118.5	41.4	0.042	0.041	40.1	40	63.5	0.149	0.19	142.37	179.4
05	13.0	87.1	0.152	138.9	41.8	0.044	0.043	41.1	41	21.2	0.052	0.14	47.50	134.0
06	12.9	78.0	0.137	122.3	45.0	0.048	0.044	42.5	41	19.6	0.048	0.08	42.52	77.5
07	12.9	77.5	0.137	122.8	40.7	0.044	0.044	39.5	41	35.2	0.086	0.06	77.12	55.7
08	12.9	82.8	0.146	129.5	38.5	0.041	0.044	36.4	40	49.7	0.122	0.09	108.23	76.0
09	12.8	81.7	0.145	129.7	37.0	0.040	0.043	35.8	40	87.5	0.216	0.14	193.17	126.2
10	12.7	75.3	0.135	121.5	34.7	0.038	0.042	34.2	39	93.1	0.232	0.19	208.87	170.1
11	12.7	72.8	0.130	117.4	37.3	0.041	0.042	37.0	38	59.3	0.148	0.20	133.60	178.5
12	12.7	81.6	0.146	130.9	37.0	0.040	0.042	35.9	38	33.3	0.083	0.15	74.43	139.0
13	12.3	95.5	0.177	159.8	33.0	0.037	0.041	33.4	37	30.8	0.079	0.10	71.31	93.1
14	12.3	83.4	0.154	139.6	33.2	0.037	0.040	33.5	36	55.1	0.142	0.10	128.69	91.5
15	12.7	81.3	0.146	132.3	33.6	0.037	0.039	33.5	35	87.7	0.218	0.15	198.48	132.8
16	13.2	68.5	0.118	106.4	36.2	0.038	0.039	34.3	35	97.8	0.234	0.20	210.95	179.4
17	13.1	77.6	0.135	124.3	34.6	0.037	0.038	34.1	34	61.5	0.148	0.20	137.18	182.2
18	13.4	92.6	0.157	150.3	33.1	0.034	0.038	32.5	34	67.5	0.159	0.18	152.21	166.8
19	13.2	104.8	0.180	173.6	31.0	0.033	0.037	31.7	34	58.3	0.140	0.15	134.27	141.2
20	13.2	105.9	0.182	178.4	28.1	0.029	0.035	28.3	33	87.1	0.209	0.17	203.71	163.4
21	13.2	105.6	0.182	175.6	34.2	0.036	0.035	34.7	33	76.5	0.183	0.18	176.61	171.5
22	13.3	99.6	0.170	165.5	34.4	0.036	0.035	35.0	33	90.6	0.215	0.20	210.28	196.9
23	12.8	84.1	0.149	130.7	39.9	0.043	0.036	37.7	34	31.2	0.077	0.16	67.57	151.5
Average	13.0	84.8	0.148	137.6	37.1	0.040		37		62.6	0.15		141.4	
Total				3303.5				878					3394.4	
30-Day Rlg			0.15	148.8							0.17			

Cedar Bay Generating
 Jacksonville, FLA
Boiler 1-C Daily Emissions Report
 September 12, 2002

<i>Emission Limits</i>		
	lb/mmBtu	lb/hr
CO 8-Hour Rolling Average	0.175	186
SO2 3-Hour Rolling Average	0.3	318.9
NOx 30-Day Rolling Average	0.17	180.7
SO2 30-Day Rolling Average	0.2	-----

Hour	CO2%	NOx ppm	NOx		CO			CO lbs 8-Hr Rlg	SO2 ppm	SO2		SO2 lbs 3-Hr Rlg	SO2 lbs 3-Hr Rlg	
			lb/mmBtu	NOx lbs	CO ppm	CO lb/mmBtu	lb/mmBtu 8-Hr Rlg			lb/mmBtu 3-Hr Rlg				
00	11.4	50.0	0.100	59.8	68.9	0.084	0.042	50.2	36	1.6	0.004	0.10	2.39	93.4
01	10.9	49.1	0.102	54.7	105.2	0.134	0.054	71.9	40	0.0	0.000	0.03	0.00	23.3
02	11.0	45.6	0.094	50.8	103.4	0.130	0.066	70.2	45	0.0	0.000	0.00	0.00	0.8
03	10.9	44.2	0.092	50.4	107.3	0.136	0.079	74.5	50	0.0	0.000	0.00	0.00	0.0
04	11.2	35.5	0.072	39.6	138.9	0.172	0.096	94.6	59	0.0	0.000	0.00	0.00	0.0
05	11.4	37.8	0.075	45.8	111.9	0.136	0.109	83.1	65	0.0	0.000	0.00	0.00	0.0
06	12.8	63.4	0.113	102.7	64.3	0.070	0.113	63.6	68	64.9	0.160	0.05	145.39	48.5
07	13.3	82.7	0.141	138.6	40.4	0.042	0.113	41.3	69	69.9	0.166	0.11	163.19	102.9
08	13.3	90.2	0.154	152.1	37.5	0.039	0.107	38.5	67	54.9	0.131	0.15	129.41	146.0
09	13.3	81.3	0.139	136.5	38.0	0.040	0.096	39.3	63	69.4	0.165	0.15	162.01	151.5
10	13.3	81.1	0.139	135.8	38.4	0.040	0.084	39.1	59	71.7	0.171	0.16	167.08	152.8
11	13.5	99.7	0.168	168.6	37.1	0.038	0.072	38.1	55	80.6	0.189	0.18	189.66	172.9
12	13.4	114.7	0.195	195.7	35.3	0.036	0.055	36.1	47	46.4	0.109	0.16	110.39	155.7
13	13.7	96.3	0.160	160.8	36.4	0.037	0.043	37.2	42	117.7	0.272	0.19	273.28	191.1
14	13.8	99.2	0.163	163.8	37.2	0.037	0.039	37.2	38	96.5	0.221	0.20	222.04	201.9
15	13.6	121.6	0.203	205.4	35.6	0.036	0.038	36.4	38	55.7	0.130	0.21	131.55	209.0
16	13.3	133.3	0.228	231.0	33.5	0.035	0.037	35.5	37	54.5	0.130	0.16	131.70	161.8
17	13.3	110.3	0.188	191.5	33.4	0.035	0.037	35.5	37	91.8	0.218	0.16	220.86	161.4
18	13.7	104.6	0.174	176.5	34.0	0.034	0.036	34.5	36	109.9	0.254	0.20	257.63	203.4
19	13.6	112.4	0.188	190.0	34.1	0.035	0.036	35.4	36	66.3	0.154	0.21	155.65	211.4
20	13.4	112.8	0.191	187.1	33.1	0.034	0.035	33.3	36	50.8	0.120	0.18	117.54	176.9
21	13.4	97.7	0.166	162.6	33.4	0.034	0.035	33.3	35	85.8	0.203	0.16	198.84	157.3
22	13.7	79.2	0.131	128.0	36.4	0.037	0.035	36.2	35	95.1	0.220	0.18	214.96	177.1
23	13.6	92.9	0.155	151.5	34.3	0.035	0.035	34.2	35	61.4	0.143	0.19	139.73	184.5
<hr/>														
Average	12.9	84.8	0.147	136.6	54.5	0.062		47		56.0	0.13		130.6	
Total				3279.3				1129					3133.3	
30-Day Rlg			0.15	148.0							0.17			

Cedar Bay Generating
 Jacksonville, FLA
Boiler 1-C Daily Emissions Report
 September 13, 2002

<i>Emission Limits</i>		
	lb/mmBtu	lb/hr
CO 8-Hour Rolling Average	0.175	186
SO2 3-Hour Rolling Average	0.3	318.9
NOx 30-Day Rolling Average	0.17	180.7
SO2 30-Day Rolling Average	0.2	-----

Hour	CO2%	NOx ppm	NOx lb/mmBtu	NOx lbs	CO ppm	CO lb/mmBtu	CO lb/mmBtu 8-Hr Rlg	CO lbs	CO lbs 8-Hr Rlg	SO2 ppm	SO2 lb/mmBtu	SO2 lb/mmBtu 3-Hr Rlg	SO2 lbs	SO2 lbs 3-Hr Rlg
00	13.5	79.8	0.134	129.2	35.1	0.036	0.035	34.7	35	68.3	0.160	0.17	154.22	169.6
01	13.4	76.5	0.130	125.2	32.4	0.034	0.035	32.7	34	87.2	0.206	0.17	198.32	164.1
02	13.4	84.1	0.143	137.8	38.6	0.040	0.036	38.6	35	83.5	0.197	0.19	189.89	180.8
03	13.3	75.0	0.128	123.5	34.8	0.036	0.036	34.7	35	73.1	0.174	0.19	167.93	185.4
04	13.3	85.0	0.145	139.8	34.3	0.036	0.036	34.7	35	59.5	0.142	0.17	136.87	164.9
05	13.2	97.8	0.168	163.5	31.6	0.033	0.036	32.1	35	78.2	0.188	0.17	183.02	162.6
06	13.3	89.4	0.153	148.4	29.9	0.031	0.035	30.1	34	88.7	0.211	0.18	204.65	174.8
07	13.4	90.2	0.153	148.6	29.7	0.031	0.035	30.1	33	119.1	0.281	0.23	272.94	220.2
08	13.2	96.8	0.167	162.3	28.8	0.030	0.034	29.2	33	69.9	0.168	0.22	163.25	213.6
09	13.5	76.4	0.129	126.5	32.1	0.033	0.034	32.4	33	105.3	0.247	0.23	242.23	226.1
10	13.4	84.5	0.143	140.6	32.3	0.033	0.033	32.4	32	62.0	0.146	0.19	143.53	183.0
11	13.5	105.5	0.178	179.7	29.1	0.030	0.032	30.3	31	75.6	0.177	0.19	178.68	188.1
12	13.6	92.8	0.155	154.4	30.2	0.031	0.032	30.9	31	85.3	0.198	0.17	198.26	173.5
13	13.5	99.3	0.167	167.6	29.5	0.030	0.031	30.1	31	70.4	0.165	0.18	165.58	180.8
14	13.5	93.6	0.158	158.6	29.9	0.031	0.031	31.1	31	81.6	0.191	0.18	191.67	185.2
15	13.4	113.4	0.193	193.1	27.9	0.029	0.031	29.2	31	55.5	0.131	0.16	131.77	163.0
16	13.3	115.8	0.198	198.7	25.7	0.027	0.031	27.1	30	74.4	0.177	0.17	177.62	167.0
17	13.6	87.1	0.146	145.8	29.4	0.030	0.030	30.0	30	127.6	0.297	0.20	296.61	202.0
18	13.5	91.8	0.155	154.6	29.2	0.030	0.030	29.9	30	83.7	0.196	0.22	195.51	223.2
19	13.3	112.0	0.192	192.4	27.2	0.028	0.030	28.1	30	63.2	0.150	0.21	150.35	214.2
20	13.2	104.3	0.180	175.7	27.4	0.029	0.029	28.3	29	69.6	0.167	0.17	162.98	169.6
21	13.2	98.4	0.170	165.7	27.3	0.029	0.029	28.3	29	87.6	0.210	0.18	204.69	172.7
22	13.3	75.1	0.128	125.2	30.3	0.032	0.029	31.3	29	96.8	0.230	0.20	225.01	197.6
23	13.2	85.9	0.148	145.0	30.2	0.032	0.030	31.3	29	98.9	0.237	0.23	232.14	220.6
Average	13.4	92.1	0.157	154.2	30.5	0.032		31		81.9	0.19		190.3	
Total				3701.9				748					4567.7	
30-Day Rlg			0.15	147.5							0.17			

Cedar Bay Generating
 Jacksonville, FLA
Boiler 1-C Daily Emissions Report
 September 14, 2002

<i>Emission Limits</i>		
	lb/mmBtu	lb/hr
CO 8-Hour Rolling Average	0.175	186
SO2 3-Hour Rolling Average	0.3	318.9
NOx 30-Day Rolling Average	0.17	180.7
SO2 30-Day Rolling Average	0.2	-----

Hour	CO2%	NOx ppm	NOx lb/mmBtu	NOx lbs	CO ppm	CO lb/mmBtu	CO lb/mmBtu 8-Hr Rlg	CO lbs	CO lbs 8-Hr Rlg	SO2 ppm	SO2 lb/mmBtu	SO2 lb/mmBtu 3-Hr Rlg	SO2 lbs	SO2 lbs 3-Hr Rlg
00	13.3	94.4	0.161	157.7	31.2	0.032	0.030	31.3	30	71.7	0.171	0.21	167.49	208.2
01	13.0	96.4	0.169	165.5	30.0	0.032	0.031	31.3	30	43.9	0.107	0.17	104.81	168.1
02	12.9	89.8	0.158	154.8	30.0	0.032	0.031	31.3	30	69.5	0.170	0.15	166.52	146.3
03	13.1	69.5	0.121	118.5	30.9	0.033	0.031	32.3	31	110.1	0.266	0.18	260.55	177.3
04	13.1	84.8	0.147	144.0	30.0	0.032	0.032	31.3	31	53.7	0.130	0.19	127.34	184.8
05	13.0	75.4	0.132	128.5	34.8	0.037	0.033	36.0	32	80.3	0.195	0.20	189.83	192.6
06	13.1	84.0	0.146	143.7	34.9	0.037	0.033	36.4	33	85.2	0.206	0.18	202.77	173.3
07	13.0	99.4	0.174	171.5	32.5	0.035	0.034	34.5	33	78.8	0.192	0.20	189.22	193.9
08	13.1	96.4	0.167	165.4	32.3	0.034	0.034	33.7	33	80.8	0.195	0.20	193.11	195.0
09	13.1	91.1	0.158	156.5	32.3	0.034	0.034	33.7	34	93.3	0.225	0.20	222.82	201.7
10	13.3	80.4	0.138	136.8	34.3	0.036	0.035	35.7	34	95.5	0.227	0.22	225.07	213.7
11	13.4	88.5	0.150	150.7	32.1	0.033	0.035	33.2	34	88.3	0.209	0.22	209.98	219.3
12	13.3	110.3	0.189	191.9	28.1	0.029	0.034	29.4	34	77.2	0.184	0.21	186.85	207.3
13	13.4	111.3	0.189	191.5	28.3	0.029	0.033	29.4	33	101.7	0.240	0.21	243.14	213.3
14	13.6	90.6	0.152	152.5	31.2	0.032	0.033	32.1	33	99.1	0.231	0.22	231.81	220.6
15	13.6	88.6	0.148	148.0	31.5	0.032	0.032	32.0	32	87.5	0.204	0.23	203.98	226.3
16	13.6	94.4	0.158	158.6	30.5	0.031	0.032	31.1	32	78.6	0.183	0.21	183.64	206.5
17	13.4	111.6	0.189	189.7	27.9	0.029	0.031	29.1	32	56.2	0.133	0.17	133.47	173.7
18	13.5	98.3	0.166	166.0	28.7	0.029	0.031	29.0	31	114.4	0.268	0.19	267.97	195.0
19	13.5	104.7	0.176	175.5	28.4	0.029	0.030	28.8	30	68.4	0.160	0.19	158.64	186.7
20	13.5	96.8	0.163	158.5	30.1	0.031	0.030	30.1	30	60.7	0.142	0.19	138.07	188.2
21	13.4	104.5	0.177	171.2	29.2	0.030	0.030	29.0	30	65.3	0.154	0.15	149.00	148.6
22	13.2	110.2	0.190	183.8	28.5	0.030	0.030	29.0	30	56.1	0.134	0.14	129.65	138.9
23	13.1	116.1	0.202	195.4	27.8	0.029	0.030	28.1	29	70.5	0.170	0.15	164.48	147.7
Average	13.3	95.3	0.163	161.5	30.6	0.032		32		78.6	0.19		185.4	
Total				3876.2				758					4450.2	
30-Day Rlg			0.15	147.9							0.17			

Cedar Bay Generating
 Jacksonville, FLA
Boiler 1-C Daily Emissions Report
 September 15, 2002

<i>Emission Limits</i>		
	lb/mmBtu	lb/hr
CO 8-Hour Rolling Average	0.175	186
SO2 3-Hour Rolling Average	0.3	318.9
NOx 30-Day Rolling Average	0.17	180.7
SO2 30-Day Rolling Average	0.2	-----

Hour	CO2%	NOx ppm	NOx		CO ppm	CO		CO lbs	CO lbs 8-Hr Rlg	SO2 ppm	SO2		SO2 lbs	SO2 lbs 3-Hr Rlg
			lb/mmBtu	NOx lbs		lb/mmBtu	8-Hr Rlg				lb/mmBtu	3-Hr Rlg		
00	13.0	109.0	0.191	185.0	27.1	0.029	0.030	28.1	29	84.5	0.206	0.17	199.55	164.6
01	13.3	81.1	0.139	135.3	27.6	0.029	0.030	28.2	29	123.8	0.295	0.22	287.18	217.1
02	13.3	84.6	0.145	140.5	29.2	0.030	0.030	29.1	29	58.5	0.139	0.21	134.65	207.1
03	13.1	101.9	0.177	171.9	31.7	0.034	0.030	33.0	29	40.5	0.098	0.18	95.17	172.3
04	13.0	111.6	0.195	189.6	29.6	0.032	0.030	31.1	29	59.2	0.144	0.13	140.01	123.3
05	12.9	105.2	0.186	180.4	29.7	0.032	0.031	31.0	30	84.0	0.206	0.15	199.80	145.0
06	13.2	91.6	0.158	153.1	30.2	0.032	0.031	31.0	30	113.0	0.271	0.21	262.52	200.8
07	13.2	105.3	0.181	175.1	31.0	0.033	0.031	31.9	30	56.4	0.135	0.20	130.61	197.6
08	13.2	99.1	0.171	165.0	29.9	0.031	0.032	29.9	31	92.7	0.222	0.21	214.25	202.5
09	13.5	77.6	0.131	125.3	32.3	0.033	0.032	31.6	31	105.6	0.248	0.20	237.26	194.0
10	13.4	105.1	0.178	171.6	31.8	0.033	0.033	31.8	31	62.1	0.147	0.21	141.69	197.7
11	13.4	122.6	0.208	207.5	27.9	0.029	0.032	28.9	31	92.9	0.219	0.20	218.45	199.1
12	13.4	115.3	0.196	196.7	28.0	0.029	0.032	29.1	31	84.9	0.201	0.19	201.70	187.3
13	13.6	105.5	0.176	176.6	29.6	0.030	0.031	30.1	31	126.2	0.294	0.24	295.03	238.4
14	13.3	131.0	0.224	223.7	28.1	0.029	0.031	29.0	30	60.2	0.143	0.21	142.81	213.2
15	13.1	137.4	0.239	238.4	26.1	0.028	0.030	27.9	30	66.3	0.160	0.20	159.60	199.1
16	13.3	130.7	0.224	224.8	26.5	0.028	0.030	28.1	30	100.4	0.239	0.18	239.84	180.8
17	13.4	119.2	0.202	202.7	27.8	0.029	0.029	29.1	29	83.8	0.198	0.20	198.69	199.4
18	13.4	107.2	0.182	181.1	30.0	0.031	0.029	30.8	29	90.3	0.213	0.22	211.96	216.8
19	13.1	123.9	0.215	215.0	27.6	0.029	0.029	29.0	29	62.0	0.150	0.19	149.99	186.9
20	12.9	124.1	0.219	211.4	28.1	0.030	0.029	29.0	29	35.6	0.087	0.15	83.96	148.6
21	12.9	220.2	0.388	374.9	32.3	0.035	0.030	33.8	30	62.1	0.152	0.13	146.88	126.9
22	12.8	96.8	0.172	166.8	27.9	0.030	0.030	29.1	30	79.1	0.196	0.15	190.10	140.3
23	12.9	77.5	0.137	133.0	28.4	0.030	0.030	29.1	30	112.5	0.276	0.21	268.02	201.7
Average	13.2	111.8	0.193	189.4	29.1	0.031		30		80.7	0.19		189.6	
Total				4545.4				720					4549.7	
30-Day Rlg			0.15	149.8							0.17			

Cedar Bay Generating
 Jacksonville, FLA
Boiler 1-C Daily Emissions Report
 September 16, 2002

<i>Emission Limits</i>		
	lb/mmBtu	lb/hr
CO 8-Hour Rolling Average	0.175	186
SO2 3-Hour Rolling Average	0.3	318.9
NOx 30-Day Rolling Average	0.17	180.7
SO2 30-Day Rolling Average	0.2	-----

Hour	CO2%	NOx ppm	NOx lb/mmBtu	NOx lbs	CO ppm	CO lb/mmBtu	CO lb/mmBtu 8-Hr Rlg	CO lbs	CO lbs 8-Hr Rlg	SO2 ppm	SO2 lb/mmBtu	SO2 lb/mmBtu 3-Hr Rlg	SO2 lbs	SO2 lbs 3-Hr Rlg
00	12.9	77.7	0.137	132.9	31.3	0.034	0.031	33.0	30	57.1	0.140	0.20	135.79	198.0
01	12.9	92.0	0.162	158.7	29.9	0.032	0.031	31.3	31	73.1	0.179	0.20	175.33	193.0
02	13.0	88.2	0.154	151.2	30.8	0.033	0.032	32.4	31	82.5	0.201	0.17	197.36	169.5
03	13.1	95.9	0.166	165.4	30.6	0.032	0.032	31.7	31	63.3	0.153	0.18	151.52	174.7
04	12.9	103.8	0.183	180.6	27.6	0.030	0.032	29.6	31	47.3	0.116	0.16	114.46	154.4
05	12.7	103.9	0.186	182.6	31.0	0.034	0.032	33.4	31	61.5	0.153	0.14	150.23	138.7
06	12.8	88.2	0.157	154.7	32.4	0.035	0.033	34.5	32	73.5	0.182	0.15	179.36	148.0
07	12.9	84.9	0.150	148.9	32.2	0.035	0.033	34.7	33	83.4	0.205	0.18	203.50	177.7
08	13.1	98.8	0.172	171.4	32.2	0.034	0.033	33.9	33	75.7	0.183	0.19	182.32	188.4
09	13.2	88.2	0.152	150.9	34.2	0.036	0.034	35.7	33	88.1	0.211	0.20	209.46	198.4
10	13.0	90.4	0.158	157.0	33.0	0.035	0.034	34.8	34	96.6	0.235	0.21	233.57	208.5
11	13.4	93.8	0.159	160.7	33.3	0.034	0.034	34.4	34	113.5	0.268	0.24	270.87	238.0
12	13.4	112.3	0.191	194.4	30.0	0.031	0.034	31.6	34	93.8	0.222	0.24	224.96	243.1
13	13.4	106.2	0.180	182.8	29.0	0.030	0.034	30.5	34	75.3	0.178	0.22	180.76	225.5
14	13.3	121.4	0.208	211.2	28.0	0.029	0.033	29.4	33	88.8	0.211	0.20	214.27	206.7
15	13.4	105.9	0.180	181.7	29.8	0.031	0.033	31.3	33	97.5	0.230	0.21	232.19	209.1
16	13.5	98.8	0.166	166.2	31.4	0.032	0.032	32.0	32	118.9	0.279	0.24	279.31	241.9
17	13.6	116.1	0.194	194.4	30.9	0.031	0.032	31.1	32	93.1	0.217	0.24	217.50	243.0
18	13.6	116.3	0.194	194.9	29.9	0.030	0.031	30.1	31	135.3	0.315	0.27	316.48	271.1
19	13.5	129.6	0.218	218.5	30.1	0.031	0.031	31.1	31	85.4	0.200	0.24	200.46	244.8
20	13.2	101.6	0.175	166.2	34.1	0.036	0.031	34.2	31	48.9	0.117	0.21	111.09	209.3
21	13.1	107.6	0.187	174.6	33.9	0.036	0.032	33.6	32	53.1	0.128	0.15	119.54	143.7
22	13.1	92.6	0.161	150.2	36.0	0.038	0.033	35.4	32	103.4	0.250	0.17	233.18	154.6
23	13.1	101.3	0.176	164.2	35.1	0.037	0.034	34.5	33	76.4	0.185	0.19	172.55	175.1
Average	13.2	100.6	0.174	171.4	31.5	0.033		33		82.7	0.20		196.1	
Total				4114.3				784					4706.1	
30-Day Rlg			0.15	150.3							0.17			

Cedar Bay Generating
 Jacksonville, FLA
Boiler 1-C Daily Emissions Report
 September 17, 2002

<i>Emission Limits</i>		
	lb/mmBtu	lb/hr
CO 8-Hour Rolling Average	0.175	186
SO2 3-Hour Rolling Average	0.3	318.9
NOx 30-Day Rolling Average	0.17	180.7
SO2 30-Day Rolling Average	0.2	-----

Hour	CO2%	NOx ppm	NOx lb/mmBtu	NOx lbs	CO ppm	CO lb/mmBtu	CO lb/mmBtu 8-Hr Rlg	CO lbs	CO lbs 8-Hr Rlg	SO2 ppm	SO2 lb/mmBtu	SO2 lb/mmBtu 3-Hr Rlg	SO2 lbs	SO2 lbs 3-Hr Rlg
00	13.2	86.5	0.149	139.0	35.4	0.037	0.035	34.5	33	72.8	0.175	0.20	163.22	189.7
01	13.0	103.0	0.180	167.9	32.7	0.035	0.035	32.6	33	53.0	0.129	0.16	120.32	152.0
02	12.8	104.2	0.185	172.5	29.8	0.032	0.035	29.8	33	76.0	0.188	0.16	175.35	153.0
03	12.8	95.9	0.170	158.6	32.5	0.035	0.036	32.6	33	83.2	0.206	0.17	192.14	162.6
04	13.2	103.2	0.178	174.8	33.6	0.035	0.036	34.4	33	139.0	0.333	0.24	326.97	231.5
05	13.1	86.7	0.151	146.6	35.4	0.037	0.036	35.9	34	95.4	0.230	0.26	223.35	247.5
06	13.0	89.1	0.156	151.1	36.6	0.039	0.036	37.8	34	62.8	0.153	0.24	148.21	232.8
07	12.8	108.4	0.193	187.9	33.6	0.036	0.036	35.0	34	56.0	0.138	0.17	134.34	168.6
08	12.9	112.0	0.197	194.1	31.9	0.034	0.035	33.5	34	95.1	0.233	0.17	229.62	170.7
09	13.1	112.9	0.196	192.5	31.8	0.034	0.035	33.4	34	89.9	0.217	0.20	213.07	192.3
10	13.2	107.2	0.185	181.9	33.4	0.035	0.036	34.4	35	111.3	0.267	0.24	262.49	235.1
11	13.2	102.2	0.176	172.2	34.9	0.037	0.036	36.2	35	76.4	0.183	0.22	179.03	218.2
12	13.2	113.8	0.196	194.1	33.4	0.035	0.036	34.7	35	73.5	0.176	0.21	174.29	205.3
13	13.3	127.0	0.217	217.8	30.8	0.032	0.035	32.1	35	87.4	0.208	0.19	208.73	187.4
14	13.3	134.3	0.230	230.8	30.8	0.032	0.034	32.1	34	81.7	0.194	0.19	194.68	192.6
15	13.4	110.3	0.187	186.1	33.5	0.035	0.034	34.8	34	105.0	0.248	0.22	246.78	216.7
16	13.4	107.5	0.182	181.0	35.6	0.037	0.035	36.6	34	67.6	0.160	0.20	158.26	199.9
17	13.2	127.6	0.220	218.7	33.2	0.035	0.035	34.8	34	55.6	0.133	0.18	132.19	179.1
18	13.2	123.7	0.213	213.5	32.1	0.034	0.035	34.1	34	89.8	0.215	0.17	215.49	168.6
19	13.3	119.2	0.204	204.5	33.3	0.035	0.034	35.1	34	84.9	0.202	0.18	202.46	183.4
20	13.0	102.3	0.179	170.6	32.2	0.034	0.034	32.4	34	43.6	0.106	0.17	101.03	173.0
21	12.9	87.7	0.155	144.9	40.6	0.044	0.036	41.1	35	47.3	0.116	0.14	108.47	137.3
22	12.9	73.9	0.130	121.1	43.4	0.047	0.038	43.8	37	71.2	0.175	0.13	163.01	124.2
23	12.9	67.6	0.119	111.0	43.3	0.046	0.039	42.9	38	77.0	0.189	0.16	176.28	149.3
Average	13.1	104.4	0.181	176.4	34.3	0.036		35		79.0	0.19		185.4	
Total				4233.2				845					4449.8	
30-Day Rlg			0.15	151.4							0.17			

Cedar Bay Generating
 Jacksonville, FLA
Boiler 1-C Daily Emissions Report
 September 18, 2002

<i>Emission Limits</i>		
	lb/mmBtu	lb/hr
CO 8-Hour Rolling Average	0.175	186
SO2 3-Hour Rolling Average	0.3	318.9
NOx 30-Day Rolling Average	0.17	180.7
SO2 30-Day Rolling Average	0.2	-----

Hour	CO2%	NOx ppm	NOx lb/mmBtu	NOx lbs	CO ppm	CO lb/mmBtu	CO 8-Hr Rlg	CO lbs	CO lbs 8-Hr Rlg	SO2 ppm	SO2 lb/mmBtu	SO2 3-Hr Rlg	SO2 lbs	SO2 lbs 3-Hr Rlg
00	13.1	82.4	0.143	140.6	41.1	0.043	0.040	42.3	38	83.5	0.202	0.19	198.59	179.3
01	13.2	81.4	0.140	138.3	39.7	0.042	0.041	41.5	39	70.3	0.169	0.19	166.96	180.6
02	13.2	80.2	0.138	136.7	39.7	0.042	0.042	41.6	40	79.5	0.191	0.19	189.15	184.9
03	13.2	92.1	0.159	157.6	33.2	0.035	0.042	34.7	40	55.8	0.134	0.16	132.86	163.0
04	13.3	100.8	0.172	170.3	32.2	0.034	0.042	33.7	40	77.1	0.184	0.17	182.22	168.1
05	13.3	99.4	0.170	168.6	31.7	0.033	0.040	32.7	39	78.6	0.187	0.17	185.41	166.8
06	13.4	92.3	0.157	156.2	31.6	0.033	0.039	32.8	38	95.3	0.225	0.20	223.90	197.2
07	13.6	79.3	0.133	132.5	33.5	0.034	0.037	33.9	37	105.8	0.246	0.22	245.09	218.1
08	13.6	84.6	0.142	138.4	34.3	0.035	0.036	34.4	36	75.4	0.176	0.22	171.83	213.6
09	13.5	109.7	0.185	183.2	31.1	0.032	0.035	31.7	34	57.0	0.134	0.19	132.70	183.2
10	13.4	108.6	0.184	183.3	29.7	0.031	0.033	30.9	33	90.6	0.214	0.17	213.21	172.6
11	13.7	111.8	0.186	188.7	30.1	0.030	0.033	30.4	33	95.8	0.221	0.19	224.16	190.0
12	13.7	118.1	0.196	198.8	29.0	0.029	0.032	29.4	32	87.1	0.201	0.21	203.87	213.7
13	13.7	111.0	0.184	186.4	30.5	0.031	0.032	31.4	32	86.3	0.199	0.21	201.61	209.9
14	13.7	107.8	0.179	180.5	31.1	0.031	0.032	31.3	32	77.6	0.179	0.19	180.49	195.3
15	13.6	107.9	0.181	180.8	31.2	0.032	0.031	32.2	31	70.1	0.163	0.18	163.77	182.0
16	13.6	104.8	0.175	175.8	32.0	0.033	0.031	33.2	31	77.7	0.181	0.17	181.85	175.4
17	13.5	108.3	0.182	183.1	31.0	0.032	0.031	32.2	31	64.2	0.151	0.17	151.89	165.8
18	13.2	125.6	0.216	217.3	28.0	0.029	0.031	29.2	31	48.8	0.117	0.15	117.69	150.5
19	13.3	95.7	0.164	164.6	30.6	0.032	0.031	32.1	31	111.0	0.264	0.18	264.92	178.2
20	13.3	83.7	0.143	141.3	29.1	0.030	0.031	29.6	31	62.4	0.149	0.18	147.20	176.6
21	13.3	92.7	0.159	155.1	32.8	0.034	0.032	33.4	32	73.5	0.175	0.20	171.83	194.7
22	13.3	98.4	0.168	166.2	33.9	0.035	0.032	34.6	32	58.2	0.139	0.15	137.48	152.2
23	13.3	88.5	0.151	149.9	33.2	0.035	0.033	34.7	32	93.0	0.221	0.18	219.39	176.2
Average	13.4	98.5	0.167	166.4	32.5	0.034		33		78.1	0.18		183.7	
Total				3994.2				804					4408.1	
30-Day Rlg			0.15	150.9							0.17			

Cedar Bay Generating
 Jacksonville, FLA
Boiler 1-C Daily Emissions Report
 September 19, 2002

<i>Emission Limits</i>		
	lb/mmBtu	lb/hr
CO 8-Hour Rolling Average	0.175	186
SO2 3-Hour Rolling Average	0.3	318.9
NOx 30-Day Rolling Average	0.17	180.7
SO2 30-Day Rolling Average	0.2	-----

Hour	CO2%	NOx ppm	NOx		CO		CO lbs 8-Hr Rlg	CO lbs 8-Hr Rlg	SO2 ppm	SO2		SO2 lbs 3-Hr Rlg	SO2 lbs 3-Hr Rlg	
			lb/mmBtu	NOx lbs	CO ppm	lb/mmBtu				lb/mmBtu	3-Hr Rlg			
00	13.3	101.5	0.174	172.5	32.8	0.034	0.033	33.7	32	66.6	0.158	0.17	157.65	171.5
01	13.4	87.0	0.148	147.3	34.6	0.036	0.033	35.8	33	101.2	0.239	0.21	237.83	205.0
02	13.4	102.4	0.174	174.6	32.8	0.034	0.034	34.1	34	62.2	0.147	0.18	147.51	181.0
03	13.5	97.3	0.164	163.2	31.2	0.032	0.034	31.8	33	108.2	0.254	0.21	252.76	212.7
04	13.6	91.3	0.153	151.7	34.5	0.035	0.034	34.7	34	84.8	0.197	0.20	195.33	198.5
05	13.4	111.8	0.190	188.4	32.2	0.033	0.034	32.7	34	46.9	0.111	0.19	110.06	186.1
06	13.3	120.0	0.205	203.0	28.7	0.030	0.034	29.7	33	70.2	0.167	0.16	165.38	156.9
07	13.6	284.8	0.476	474.1	33.2	0.034	0.034	33.8	33	93.0	0.216	0.16	214.68	163.4
08	13.6	212.5	0.355	351.7	33.2	0.034	0.034	33.6	33	69.0	0.161	0.18	159.05	179.7
09	13.5	126.3	0.213	209.4	32.1	0.033	0.033	32.4	33	72.1	0.169	0.18	166.14	180.0
10	13.5	299.5	0.505	502.5	33.7	0.035	0.033	34.8	33	65.2	0.153	0.16	152.25	159.1
11	13.6	147.0	0.246	253.7	29.0	0.029	0.033	29.9	33	82.5	0.192	0.17	197.97	172.1
12	13.7	116.8	0.194	200.7	26.6	0.027	0.032	27.9	32	103.6	0.239	0.19	247.29	199.2
13	13.7	116.2	0.193	200.6	27.1	0.027	0.031	28.1	31	101.8	0.235	0.22	244.28	229.8
14	13.6	113.0	0.189	195.1	27.5	0.028	0.031	28.9	31	74.6	0.174	0.22	179.62	223.7
15	13.7	94.4	0.157	161.3	29.5	0.030	0.030	30.8	31	125.0	0.289	0.23	296.95	240.3
16	13.7	110.1	0.183	188.0	28.4	0.029	0.030	29.8	30	94.4	0.218	0.23	224.00	233.5
17	13.6	111.4	0.186	191.1	27.6	0.028	0.029	28.8	30	84.9	0.198	0.24	203.45	241.5
18	13.6	103.5	0.173	176.5	27.5	0.028	0.028	28.6	29	110.4	0.257	0.22	262.22	229.9
19	13.6	94.6	0.158	160.1	30.1	0.031	0.029	31.4	29	94.2	0.219	0.22	221.87	229.2
20	13.5	100.3	0.169	167.6	28.1	0.029	0.029	28.8	29	59.6	0.140	0.21	138.81	207.6
21	13.3	127.4	0.218	213.8	31.2	0.032	0.029	31.4	30	43.2	0.103	0.15	101.01	153.9
22	13.4	121.3	0.206	203.5	30.1	0.031	0.030	30.6	30	96.6	0.228	0.16	225.24	155.0
23	13.4	96.6	0.164	161.6	32.8	0.034	0.030	33.5	30	86.2	0.204	0.18	201.04	175.8
Average	13.5	128.6	0.216	217.2	30.6	0.031		31		83.2	0.19		195.9	
Total				5212.0				756					4702.4	
30-Day Rlg			0.15	153.0							0.17			

Cedar Bay Generating
 Jacksonville, FLA
Boiler 1-C Daily Emissions Report
 September 20, 2002

<i>Emission Limits</i>		
	lb/mmBtu	lb/hr
CO 8-Hour Rolling Average	0.175	186
SO2 3-Hour Rolling Average	0.3	318.9
NOx 30-Day Rolling Average	0.17	180.7
SO2 30-Day Rolling Average	0.2	-----

Hour	CO2%	NOx ppm	NOx lb/mmBtu	NOx lbs	CO ppm	CO lb/mmBtu	CO lb/mmBtu 8-Hr Rlg	CO lbs	CO lbs 8-Hr Rlg	SO2 ppm	SO2 lb/mmBtu	SO2 lb/mmBtu 3-Hr Rlg	SO2 lbs	SO2 lbs 3-Hr Rlg
00	13.4	89.7	0.152	148.9	34.1	0.035	0.031	34.3	31	82.7	0.195	0.21	191.00	205.8
01	13.4	95.9	0.163	160.4	33.6	0.035	0.032	34.5	32	86.7	0.205	0.20	201.78	197.9
02	13.4	96.1	0.163	160.6	34.3	0.035	0.033	34.5	32	77.0	0.182	0.19	179.36	190.7
03	13.4	106.0	0.180	177.8	31.6	0.033	0.033	32.6	33	91.0	0.215	0.20	212.40	197.8
04	13.4	109.5	0.186	184.2	31.1	0.032	0.033	31.7	33	74.9	0.177	0.19	175.28	189.0
05	13.3	109.9	0.188	186.2	28.8	0.030	0.033	29.7	33	67.9	0.162	0.18	160.43	182.7
06	13.4	92.2	0.156	155.7	30.3	0.031	0.033	30.7	33	91.0	0.215	0.18	213.17	183.0
07	13.2	112.3	0.193	192.4	28.3	0.030	0.033	29.7	32	51.7	0.124	0.17	122.95	165.5
08	13.2	109.6	0.189	186.9	26.4	0.028	0.032	27.7	31	84.0	0.201	0.18	198.81	178.3
09	13.3	126.2	0.216	213.4	27.1	0.028	0.031	27.7	31	89.7	0.213	0.18	211.41	177.7
10	13.3	209.9	0.359	358.1	28.1	0.029	0.030	28.9	30	79.7	0.190	0.20	189.53	199.9
11	13.5	167.8	0.283	285.7	29.0	0.030	0.030	30.3	30	137.2	0.322	0.24	325.06	242.0
12	13.4	138.8	0.236	238.5	29.4	0.030	0.030	30.3	29	76.8	0.181	0.23	182.94	232.5
13	13.5	87.9	0.148	150.5	27.4	0.028	0.029	28.5	29	96.9	0.227	0.24	230.79	246.3
14	13.5	100.2	0.169	171.8	26.0	0.027	0.029	27.5	29	67.0	0.157	0.19	159.62	191.1
15	13.4	100.2	0.170	172.8	25.0	0.026	0.028	26.4	28	71.9	0.170	0.18	172.84	187.8
16	13.4	93.8	0.159	161.7	24.7	0.026	0.028	26.4	28	106.8	0.252	0.19	256.21	196.2
17	13.6	92.8	0.155	157.9	26.6	0.027	0.028	27.5	28	111.1	0.259	0.23	263.84	231.0
18	13.6	94.7	0.158	162.0	26.8	0.027	0.028	27.7	28	108.1	0.252	0.25	258.33	259.5
19	13.6	109.9	0.184	187.4	26.4	0.027	0.027	27.5	28	102.1	0.238	0.25	242.36	254.8
20	13.5	86.3	0.145	143.7	27.5	0.028	0.027	27.7	27	79.2	0.186	0.23	184.33	228.3
21	13.4	79.1	0.134	132.1	26.7	0.028	0.027	27.6	27	58.1	0.137	0.19	135.01	187.2
22	13.3	72.8	0.125	123.9	31.5	0.033	0.028	32.7	28	86.6	0.206	0.18	204.25	174.5
23	13.3	78.2	0.134	133.3	31.1	0.032	0.029	31.8	29	85.1	0.202	0.18	202.01	180.4
Average	13.4	106.7	0.181	181.1	28.8	0.030		30		86.0	0.20		203.1	
Total				4345.9				714					4873.7	
30-Day Rlg			0.16	153.9							0.17			

Cedar Bay Generating
 Jacksonville, FLA
Boiler 1-C Daily Emissions Report
 September 21, 2002

<i>Emission Limits</i>		
	lb/mmBtu	lb/hr
CO 8-Hour Rolling Average	0.175	186
SO2 3-Hour Rolling Average	0.3	318.9
NOx 30-Day Rolling Average	0.17	180.7
SO2 30-Day Rolling Average	0.2	-----

Hour	CO2%	NOx ppm	NOx		CO ppm	CO		CO lbs 8-Hr Rlg	CO lbs 8-Hr Rlg	SO2 ppm	SO2		SO2 lbs 3-Hr Rlg	SO2 lbs 3-Hr Rlg
			lb/mmBtu	NOx lbs		lb/mmBtu	8-Hr Rlg				lb/mmBtu	3-Hr Rlg		
00	13.5	79.2	0.133	132.1	32.0	0.033	0.029	32.8	29	105.9	0.248	0.22	246.24	217.5
01	13.6	84.3	0.141	140.0	30.4	0.031	0.030	30.8	30	100.3	0.234	0.23	232.36	226.9
02	13.5	84.4	0.142	140.8	30.5	0.031	0.030	30.7	30	85.6	0.201	0.23	199.35	226.0
03	13.5	82.1	0.138	137.8	28.4	0.029	0.031	29.0	30	97.2	0.228	0.22	227.70	219.8
04	13.4	109.0	0.185	185.2	27.5	0.028	0.031	28.0	30	59.0	0.139	0.19	139.15	188.7
05	13.3	94.4	0.161	160.8	26.8	0.028	0.031	27.8	30	81.7	0.194	0.19	193.58	186.8
06	13.4	78.5	0.133	131.9	29.2	0.030	0.030	29.7	30	89.8	0.212	0.18	210.20	181.0
07	13.2	98.8	0.170	168.4	27.2	0.029	0.030	28.7	30	55.1	0.132	0.18	130.72	178.2
08	13.2	97.4	0.168	167.0	25.1	0.026	0.029	25.8	29	89.7	0.215	0.19	213.69	184.9
09	13.3	95.3	0.163	163.2	25.2	0.026	0.028	26.0	28	87.1	0.207	0.18	207.23	183.9
10	13.3	95.1	0.163	163.6	24.3	0.025	0.028	25.1	28	72.2	0.172	0.20	172.60	197.8
11	13.6	104.7	0.175	180.0	24.1	0.025	0.027	25.7	27	138.4	0.322	0.23	331.24	237.0
12	13.5	95.1	0.160	162.3	26.9	0.028	0.027	28.4	27	93.4	0.219	0.24	222.13	242.0
13	13.4	97.6	0.166	168.6	26.8	0.028	0.027	28.4	27	81.1	0.191	0.24	193.96	249.1
14	13.5	95.4	0.161	163.3	27.3	0.028	0.027	28.4	27	94.2	0.221	0.21	224.16	213.4
15	13.4	101.2	0.172	173.2	27.0	0.028	0.027	28.2	27	53.7	0.127	0.18	127.90	182.0
16	13.1	113.0	0.196	198.8	24.0	0.025	0.027	25.4	27	59.0	0.143	0.16	145.04	165.7
17	13.2	109.3	0.188	191.8	22.7	0.024	0.026	24.5	27	108.7	0.261	0.18	266.30	179.7
18	13.4	104.0	0.176	180.8	25.7	0.027	0.027	27.7	27	127.4	0.301	0.24	309.28	240.2
19	13.4	115.0	0.195	200.1	24.6	0.025	0.027	25.7	27	82.3	0.194	0.25	199.10	258.2
20	13.3	90.2	0.154	152.5	23.1	0.024	0.026	23.8	27	72.3	0.172	0.22	170.33	226.2
21	13.5	91.7	0.155	153.3	28.4	0.029	0.026	28.7	27	77.8	0.182	0.18	180.02	183.2
22	13.4	111.7	0.190	189.8	29.2	0.030	0.027	30.0	27	70.3	0.166	0.17	165.78	172.0
23	13.4	96.4	0.164	164.6	29.8	0.031	0.027	31.1	27	90.0	0.213	0.19	213.75	186.5
Average	13.4	96.8	0.165	165.4	26.9	0.028		28		86.3	0.20		205.1	
Total				3969.9				670					4921.8	
30-Day Rlg			0.16	154.0							0.18			

Cedar Bay Generating
 Jacksonville, FLA
Boiler 1-C Daily Emissions Report
 September 22, 2002

<i>Emission Limits</i>		
	lb/mmBtu	lb/hr
CO 8-Hour Rolling Average	0.175	186
SO2 3-Hour Rolling Average	0.3	318.9
NOx 30-Day Rolling Average	0.17	180.7
SO2 30-Day Rolling Average	0.2	-----

Hour	CO2%	NOx ppm	NOx		CO				SO2		SO2			
			lb/mmBtu	NOx lbs	CO ppm	CO lb/mmBtu	lb/mmBtu 8-Hr Rlg	CO lbs	CO lbs 8-Hr Rlg	SO2 ppm	lb/mmBtu 3-Hr Rlg	SO2 lbs	SO2 lbs 3-Hr Rlg	
00	13.5	89.8	0.151	151.5	30.7	0.031	0.028	31.1	28	109.9	0.258	0.21	258.90	212.8
01	13.6	120.4	0.201	201.7	29.5	0.030	0.028	30.1	29	85.9	0.200	0.22	200.70	224.5
02	13.4	122.2	0.207	207.7	26.4	0.027	0.028	27.1	28	63.1	0.149	0.20	149.52	203.0
03	13.2	117.4	0.202	202.9	23.9	0.025	0.028	25.1	28	76.1	0.182	0.18	182.86	177.7
04	13.3	121.4	0.208	208.7	23.9	0.025	0.029	25.1	29	87.0	0.207	0.18	207.72	180.0
05	13.4	144.2	0.245	245.0	24.1	0.025	0.028	25.0	28	78.6	0.186	0.19	185.98	192.2
06	13.2	150.9	0.260	258.1	23.9	0.025	0.027	24.8	27	75.0	0.180	0.19	178.69	190.8
07	13.2	163.1	0.281	277.8	24.1	0.025	0.027	24.7	27	76.6	0.184	0.18	181.92	182.2
08	13.3	203.1	0.348	343.7	24.2	0.025	0.026	24.7	26	85.4	0.203	0.19	200.48	187.0
09	13.4	145.1	0.246	243.2	23.3	0.024	0.025	23.7	25	82.6	0.195	0.19	192.82	191.7
10	13.4	133.7	0.227	223.1	23.6	0.024	0.025	23.6	25	107.7	0.254	0.22	249.63	214.3
11	13.4	130.2	0.221	219.9	24.8	0.026	0.025	25.9	25	77.2	0.182	0.21	181.05	207.8
12	13.4	59.3	0.101	100.8	24.8	0.026	0.025	26.0	25	81.4	0.192	0.21	191.69	207.5
13	13.5	77.4	0.130	130.9	22.7	0.023	0.025	23.2	25	92.9	0.218	0.20	219.48	197.4
14	13.5	78.5	0.132	133.1	22.2	0.023	0.025	23.2	24	93.4	0.219	0.21	220.75	210.6
15	13.5	86.5	0.146	147.7	22.2	0.023	0.024	23.3	24	82.3	0.193	0.21	195.24	211.8
16	13.4	94.2	0.160	161.9	21.9	0.023	0.024	23.3	24	89.5	0.211	0.21	213.45	209.8
17	13.4	94.2	0.160	161.9	21.8	0.023	0.024	23.3	24	104.0	0.246	0.22	248.85	219.2
18	13.4	91.6	0.156	158.2	22.9	0.024	0.024	24.3	24	81.1	0.192	0.22	194.69	219.0
19	13.4	91.9	0.156	158.0	23.0	0.024	0.024	24.3	24	82.0	0.194	0.21	196.48	213.3
20	13.2	84.2	0.145	140.6	21.3	0.022	0.023	21.3	23	53.3	0.128	0.17	124.11	171.8
21	13.2	84.6	0.146	140.2	26.8	0.028	0.024	26.9	24	69.1	0.166	0.16	159.36	160.0
22	13.2	82.7	0.143	137.5	27.9	0.029	0.025	27.9	24	91.2	0.219	0.17	210.50	164.7
23	13.1	78.2	0.136	132.4	28.7	0.030	0.025	29.2	25	90.2	0.218	0.20	212.16	194.0
Average	13.4	110.2	0.188	186.9	24.5	0.025		25		84.0	0.20		198.2	
Total				4486.5				607					4757.0	
30-Day Rlg			0.16	155.1							0.18			

Cedar Bay Generating
 Jacksonville, FLA
Boiler 1-C Daily Emissions Report
 September 23, 2002

<i>Emission Limits</i>		
	lb/mmBtu	lb/hr
CO 8-Hour Rolling Average	0.175	186
SO2 3-Hour Rolling Average	0.3	318.9
NOx 30-Day Rolling Average	0.17	180.7
SO2 30-Day Rolling Average	0.2	-----

Hour	CO2%	NOx ppm	NOx		CO ppm	CO			SO2 ppm	SO2		SO2 lbs 3-Hr Rlg	SO2 lbs 3-Hr Rlg	
			lb/mmBtu	NOx lbs		CO lb/mmBtu	CO lb/mmBtu 8-Hr Rlg	CO lbs 8-Hr Rlg		lb/mmBtu	SO2 lbs			
00	13.3	82.7	0.142	139.2	28.3	0.029	0.026	28.4	26	84.5	0.201	0.21	197.06	206.6
01	13.3	87.3	0.149	147.3	28.3	0.029	0.027	28.7	26	76.8	0.183	0.20	180.95	196.7
02	12.9	88.9	0.157	153.4	28.4	0.030	0.028	29.3	27	46.5	0.114	0.17	111.36	163.1
03	13.1	88.6	0.154	153.2	25.3	0.027	0.028	26.9	27	92.4	0.223	0.17	221.84	171.4
04	13.2	88.3	0.152	151.0	26.3	0.028	0.029	27.8	28	84.8	0.203	0.18	201.70	178.3
05	13.2	86.7	0.149	148.4	26.5	0.028	0.029	27.9	28	82.3	0.197	0.21	196.21	206.6
06	13.2	90.9	0.157	156.4	25.3	0.027	0.029	26.9	28	66.9	0.160	0.19	159.36	185.8
07	13.2	89.3	0.154	153.4	24.4	0.026	0.028	25.9	28	76.4	0.183	0.18	182.27	179.3
08	13.2	86.6	0.149	148.4	24.5	0.026	0.028	25.9	27	80.6	0.193	0.18	192.23	178.0
09	13.3	83.1	0.142	141.6	24.1	0.025	0.027	24.9	27	83.0	0.198	0.19	197.45	190.7
10	13.3	83.7	0.143	144.5	23.1	0.024	0.026	24.2	26	93.8	0.223	0.20	225.32	205.0
11	13.5	91.4	0.154	158.4	22.1	0.023	0.026	23.7	26	138.7	0.325	0.25	334.23	252.3
12	13.5	88.9	0.150	153.2	22.8	0.023	0.025	23.5	25	87.5	0.205	0.25	209.35	256.3
13	13.5	89.5	0.151	154.2	23.4	0.024	0.025	24.5	25	91.4	0.214	0.25	218.54	254.0
14	13.5	91.0	0.153	156.4	23.6	0.024	0.024	24.5	25	74.1	0.174	0.20	177.90	201.9
15	13.5	88.1	0.149	152.3	24.3	0.025	0.024	25.6	25	77.3	0.181	0.19	185.05	193.8
16	13.5	84.3	0.142	146.5	26.7	0.027	0.024	27.9	25	66.9	0.157	0.17	162.02	175.0
17	13.3	84.0	0.144	146.5	26.3	0.027	0.025	27.5	25	50.4	0.120	0.15	122.11	156.4
18	13.2	78.6	0.136	138.2	26.5	0.028	0.025	28.5	26	70.0	0.168	0.15	170.76	151.6
19	13.3	75.4	0.129	131.7	26.4	0.028	0.026	28.6	26	98.2	0.234	0.17	238.96	177.3
20	13.1	70.6	0.123	122.8	24.5	0.026	0.026	26.0	27	57.5	0.139	0.18	138.81	182.8
21	13.1	130.3	0.226	225.2	32.2	0.034	0.027	33.9	28	88.2	0.213	0.20	212.21	196.7
22	13.3	91.2	0.156	156.5	36.1	0.038	0.029	38.1	30	94.5	0.225	0.19	225.79	192.3
23	13.2	94.9	0.163	164.2	35.3	0.037	0.031	37.3	31	62.5	0.150	0.20	151.07	196.4
Average	13.3	88.1	0.151	151.8	26.4	0.028		28		80.2	0.19		192.2	
Total				3642.9				666					4612.6	
30-Day Rlg			0.16	154.9							0.18			

Cedar Bay Generating
 Jacksonville, FLA
Boiler 1-C Daily Emissions Report
 September 24, 2002

<i>Emission Limits</i>		
	lb/mmBtu	lb/hr
CO 8-Hour Rolling Average	0.175	186
SO2 3-Hour Rolling Average	0.3	318.9
NOx 30-Day Rolling Average	0.17	180.7
SO2 30-Day Rolling Average	0.2	-----

Hour	CO2%	NOx ppm	NOx lb/mmBtu	NOx lbs	CO ppm	CO lb/mmBtu	CO lb/mmBtu 8-Hr Rlg	CO lbs	CO lbs 8-Hr Rlg	SO2 ppm	SO2 lb/mmBtu	SO2 lb/mmBtu 3-Hr Rlg	SO2 lbs	SO2 lbs 3-Hr Rlg
00	13.1	83.0	0.144	145.4	32.9	0.035	0.032	35.3	32	65.5	0.158	0.18	159.50	178.8
01	13.2	71.1	0.123	123.4	35.4	0.037	0.033	37.1	33	105.0	0.252	0.19	252.88	187.8
02	13.3	68.9	0.118	118.4	36.3	0.038	0.034	38.1	34	78.3	0.186	0.20	186.65	199.7
03	13.1	87.6	0.152	152.5	37.4	0.040	0.036	40.1	36	53.7	0.130	0.19	130.46	190.0
04	13.0	84.0	0.147	147.2	34.7	0.037	0.037	37.0	37	59.1	0.144	0.15	144.16	153.8
05	13.0	78.9	0.138	138.5	33.6	0.036	0.037	36.1	37	89.8	0.219	0.16	219.77	164.8
06	13.1	77.9	0.135	131.7	35.5	0.037	0.037	36.1	37	81.9	0.198	0.19	193.23	185.7
07	13.0	84.0	0.147	144.7	37.2	0.040	0.038	39.4	37	79.9	0.194	0.20	190.95	201.3
08	13.0	82.6	0.145	143.6	35.3	0.038	0.038	37.6	38	79.0	0.192	0.19	190.14	191.4
09	13.1	70.0	0.122	121.3	35.9	0.038	0.038	37.8	38	125.2	0.302	0.23	301.15	227.4
10	13.0	78.5	0.137	134.3	33.8	0.036	0.038	35.3	37	113.3	0.276	0.26	270.65	254.0
11	13.1	78.7	0.137	133.0	35.6	0.038	0.038	36.9	37	71.8	0.174	0.25	168.87	246.9
12	13.4	73.9	0.125	125.9	37.0	0.038	0.038	38.3	37	89.0	0.210	0.22	211.49	217.0
13	13.5	83.1	0.140	142.7	34.0	0.035	0.038	35.7	37	73.6	0.173	0.19	176.30	185.6
14	13.6	72.5	0.121	122.9	35.2	0.036	0.037	36.6	37	102.6	0.239	0.21	242.70	210.2
15	13.6	69.9	0.117	118.7	36.5	0.037	0.037	37.5	37	83.8	0.195	0.20	197.79	205.6
16	13.6	65.5	0.110	111.6	36.6	0.037	0.037	37.5	37	71.3	0.166	0.20	168.37	203.0
17	13.5	79.2	0.133	134.9	34.8	0.036	0.037	36.5	37	76.3	0.179	0.18	181.56	182.6
18	13.5	93.5	0.158	162.2	34.5	0.035	0.037	35.9	37	89.3	0.209	0.18	214.50	188.1
19	13.4	103.5	0.176	179.4	33.0	0.034	0.036	34.6	37	128.7	0.304	0.23	309.81	235.3
20	13.1	111.6	0.194	192.8	35.7	0.038	0.036	37.8	37	89.8	0.217	0.24	215.68	246.7
21	13.2	116.9	0.201	202.0	34.5	0.036	0.036	36.0	37	88.4	0.212	0.24	211.98	245.8
22	13.0	115.8	0.203	203.5	35.3	0.038	0.036	38.1	37	41.0	0.100	0.18	100.23	176.0
23	12.9	99.1	0.175	177.5	37.3	0.040	0.037	40.6	37	18.9	0.046	0.12	46.66	119.6
Average	13.2	84.6	0.146	146.2	35.3	0.037		37		81.5	0.19		195.2	
Total				3508.1				892					4685.5	
30-Day Rlg			0.16	154.1							0.18			

Cedar Bay Generating
 Jacksonville, FLA
Boiler 1-C Daily Emissions Report
 September 25, 2002

<i>Emission Limits</i>		
	lb/mmBtu	lb/hr
CO 8-Hour Rolling Average	0.175	186
SO2 3-Hour Rolling Average	0.3	318.9
NOx 30-Day Rolling Average	0.17	180.7
SO2 30-Day Rolling Average	0.2	-----

Hour	CO2%	NOx ppm	NOx lb/mmBtu	NOx lbs	CO ppm	CO lb/mmBtu	CO lb/mmBtu 8-Hr Rlg	CO lbs	CO lbs 8-Hr Rlg	SO2 ppm	SO2 lb/mmBtu	SO2 lb/mmBtu 3-Hr Rlg	SO2 lbs	SO2 lbs 3-Hr Rlg
00	13.1	104.3	0.181	183.6	38.8	0.041	0.037	41.6	38	91.7	0.222	0.12	225.17	124.0
01	12.8	76.5	0.136	129.6	37.4	0.040	0.038	38.1	38	42.9	0.106	0.12	101.03	124.3
02	12.6	74.3	0.134	123.7	40.5	0.045	0.039	41.5	39	57.4	0.144	0.16	132.93	153.0
03	12.3	81.4	0.150	134.3	51.7	0.058	0.042	51.9	41	33.0	0.085	0.11	76.12	103.4
04	12.2	73.9	0.138	118.8	60.8	0.069	0.046	59.4	43	62.5	0.162	0.13	139.43	116.2
05	12.3	72.0	0.133	118.1	60.0	0.068	0.050	60.4	46	76.8	0.198	0.15	175.88	130.5
06	12.6	75.0	0.135	125.8	54.5	0.060	0.053	55.9	49	60.9	0.153	0.17	142.52	152.6
07	12.5	85.0	0.155	143.1	51.1	0.057	0.055	52.6	50	58.3	0.148	0.17	136.62	151.7
08	12.4	80.8	0.148	138.9	48.8	0.055	0.057	51.6	51	53.0	0.135	0.15	126.72	135.3
09	12.5	82.4	0.150	143.7	47.0	0.052	0.058	49.8	53	85.9	0.217	0.17	207.86	157.1
10	12.7	85.0	0.152	149.2	43.4	0.047	0.058	46.1	53	80.1	0.200	0.18	196.38	177.0
11	12.8	76.9	0.137	136.8	39.6	0.043	0.056	42.9	52	62.3	0.154	0.19	153.80	186.0
12	12.7	123.8	0.222	222.2	37.7	0.041	0.053	41.0	50	80.3	0.200	0.18	200.20	183.5
13	13.0	74.5	0.130	130.9	38.8	0.041	0.050	41.3	48	83.9	0.204	0.19	205.43	186.5
14	10.1	79.0	0.171	88.5	229.6	0.302	0.080	156.8	60	15.5	0.047	0.15	24.32	143.3
15	10.4	84.3	0.181	115.7	159.8	0.209	0.099	133.7	70	0.1	0.000	0.08	0.00	76.6
16	5.4	96.8	0.332	75.2	698.5	1.457	0.274	329.7	105	0.0	0.000	0.02	0.00	8.1
17	10.8	73.2	0.153	99.4	187.3	0.238	0.297	154.6	118	4.2	0.012	0.00	7.79	2.6
18	11.6	64.7	0.127	90.5	81.0	0.097	0.304	69.1	121	3.9	0.011	0.01	7.84	5.2
19	11.4	54.9	0.110	72.0	109.2	0.133	0.315	87.1	127	12.2	0.034	0.02	22.26	12.6
20	12.8	37.9	0.067	49.5	105.1	0.114	0.324	84.3	132	0.8	0.002	0.02	1.48	10.5
21	12.4	54.7	0.100	67.2	94.3	0.105	0.332	70.6	136	0.2	0.000	0.01	0.00	7.9
22	12.1	53.7	0.101	65.4	97.0	0.111	0.308	71.9	125	0.0	0.000	0.00	0.00	0.5
23	12.0	51.8	0.098	63.6	102.1	0.118	0.297	76.6	118	0.0	0.000	0.00	0.00	0.0
Average	11.9	75.7	0.148	116.1	104.8	0.150		80		40.2	0.10		95.2	
Total				2785.7				1909					2283.8	
30-Day Rlg			0.16	154.1							0.18			

Cedar Bay Generating
 Jacksonville, FLA
Boiler 1-C Daily Opacity Report
 August 27, 2002

Emission Limit

Opacity 20% (27% Rule)

Hour	00-06	06-12	12-18	18-24	24-30	30-36	36-42	42-48	48-54	54-60
00	9	9	9	9	9	9	9	9	9	9
01	9	9	9	9	9	9	9	9	9	9
02	9	9	9	9	9	9	9	9	9	9
03	9	9	9	9	9	9	9	9	9	9
04	9	9	9	9	9	9	9	9	9	9
05	9	9	9	9	9	9	9	9	9	9
06	9	9	Cal	Cal	9	9	9	9	9	9
07	9	9	9	9	9	9	9	9	9	9
08	9	9	9	9	9	9	9	9	9	9
09	9	9	9	9	9	9	9	9	9	9
10	9	9	9	9	9	9	9	9	9	9
11	9	9	9	9	9	9	9	9	9	9
12	9	9	9	9	9	9	9	9	9	9
13	9	9	9	9	9	9	9	9	9	9
14	9	9	9	9	9	9	9	9	9	9
15	9	9	9	9	9	9	9	9	9	9
16	9	9	9	9	9	9	9	9	9	9
17	9	9	9	9	9	9	9	9	9	9
18	9	9	9	9	9	9	9	9	9	9
19	9	9	9	9	9	9	9	9	9	9
20	9	9	9	9	9	9	9	9	9	9
21	9	9	9	9	9	9	9	9	10	9
22	9	9	9	9	9	9	9	9	9	9
23	9	9	Down	Down	Down	Down	Down	Down	Down	Down

Cedar Bay Generating
 Jacksonville, FLA
Boiler 1-C Daily Opacity Report
 August 28, 2002

Emission Limit

Opacity 20% (27% Rule)

Hour	00-06	06-12	12-18	18-24	24-30	30-36	36-42	42-48	48-54	54-60
00	Down	Down	Down	Down	Down	Down	Down	Down	Down	Down
01	Down	Down	Down	Down	Down	Down	Down	Down	Down	Down
02	Down	Down	Down	Down	Down	Down	Down	Down	Down	Down
03	Down	Down	Down	Down	Down	Down	Down	Down	Down	Down
04	Down	Down	Down	Down	Down	Down	Down	Down	Down	Down
05	Down	Down	Down	Down	Down	Down	Down	Down	Down	Down
06	Down	Down	DCal	DCal	Down	Down	Down	Down	Down	Down
07	Down	Down	Down	Down	Down	Down	Down	Down	Down	Down
08	Down	Down	Down	Down	Down	Down	Down	Down	Down	Down
09	Down	Down	Down	Down	Down	Down	Down	Down	Down	Down
10	Down	Down	Down	Down	Down	Down	Down	Down	Down	Down
11	Down	Down	Down	Down	Down	Down	Down	Down	Down	Down
12	Down	Down	Down	Down	Down	Down	Down	Down	Down	Down
13	Down	Down	Down	Down	Down	Down	Down	Down	Down	Down
14	Down	Down	Down	Down	Down	Down	Down	Down	Down	Down
15	Down	Down	Down	Down	Down	Down	Down	Down	Down	Down
16	Down	Down	Down	Down	Down	Down	Down	Down	Down	Down
17	Down	Down	Down	Down	Down	Down	Down	Down	Down	Down
18	Down	Down	Down	Down	Down	Down	Down	Down	Down	Down
19	Down	Down	Down	Down	Down	Down	Down	Down	Down	Down
20	Down	Down	Down	Down	Down	Down	Down	Down	Down	Down
21	Down	Down	Down	Down	Down	Down	Down	Down	Down	Down
22	Down	Down	Down	Down	Down	Down	Down	Down	Down	Down
23	Down	Down	Down	Down	Down	Down	Down	Down	Down	Down

Cedar Bay Generating
 Jacksonville, FLA
Boiler 1-C Daily Opacity Report
 August 29, 2002

Emission Limit

Opacity 20% (27% Rule)

Hour	00-06	06-12	12-18	18-24	24-30	30-36	36-42	42-48	48-54	54-60
00	Down	Down	Down	Down	Down	Down	Down	Down	Down	Down
01	Down	Down	Down	Down	Down	Down	Down	Down	Down	Down
02	Down	Down	Down	Down	Down	Down	Down	Down	Down	Down
03	Down	Down	Down	Down	Down	Down	Down	Down	Down	Down
04	Down	Down	Down	Down	Down	Down	Down	Down	Down	Down
05	Down	Down	Down	Down	Down	Down	Down	Down	Down	Down
06	Down	Down	DCal	DCal	Down	Down	Down	Down	Down	Down
07	Down	Down	Down	Down	Down	Down	Down	Down	Down	Down
08	Down	Down	Down	Down	Down	Down	Down	Down	Down	Down
09	Down	Down	Down	Down	Down	Down	Down	Down	Down	Down
10	Down	Down	Down	Down	Down	Down	Down	Down	Down	Down
11	Down	Down	Down	Down	Down	Down	Down	Down	Down	Down
12	Down	Down	Down	Down	Down	Down	Down	Down	Down	Down
13	Down	Down	Down	Down	Down	Down	Down	Down	Down	Down
14	Down	Down	Down	Down	Down	Down	Down	Down	Down	Down
15	Down	Down	Down	Down	Down	Down	Down	Down	Down	Down
16	Down	Down	Down	Down	Down	Down	Down	Down	Down	Down
17	Down	Down	Down	Down	Down	Down	Down	Down	Down	Down
18	Down	Down	Down	Down	Down	Down	Down	Down	Down	Down
19	Down	Down	Down	Down	Down	Down	Down	Down	Down	Down
20	Down	Down	Down	Down	Down	Down	Down	Down	Down	Down
21	Down	Down	Down	Down	Down	Down	Down	Down	Down	Down
22	Down	Down	Down	Down	Down	Down	Down	Down	Down	Down
23	Down	Down	Down	Down	Down	Down	Down	Down	Down	Down

Cedar Bay Generating
 Jacksonville, FLA
Boiler 1-C Daily Opacity Report
 August 30, 2002

Emission Limit

Opacity 20% (27% Rule)

Hour	00-06	06-12	12-18	18-24	24-30	30-36	36-42	42-48	48-54	54-60
00	Down	Down	Down	Down	Down	Down	Down	Down	Down	Down
01	Down	Down	Down	Down	Down	Down	Down	Down	Down	Down
02	Down	Down	Down	Down	Down	Down	Down	Down	Down	Down
03	Down	Down	Down	Down	Down	Down	Down	Down	Down	Down
04	Down	Down	Down	Down	Down	Down	Down	Down	Down	Down
05	Down	Down	Down	Down	Down	Down	Down	Down	Down	Down
06	Down	Down	DCal	DCal	Down	Down	Down	Down	Down	Down
07	Down	Down	Down	Down	Down	Down	Down	Down	Down	Down
08	Down	Down	Down	Down	Down	Down	Down	Down	Down	Down
09	Down	Down	Down	Down	Down	Down	Down	Down	Down	Down
10	Down	Down	9	9	9	9	9	9	9	9
11	9	9	9	9	9	9	9	9	9	9
12	9	9	9	9	10	10	10	10	10	9
13	9	9	9	9	9	9	9	9	9	9
14	9	9	9	9	9	9	9	9	9	9
15	9	9	9	9	9	9	9	9	9	9
16	9	9	9	9	9	9	9	9	9	9
17	9	9	9	9	9	9	9	9	9	9
18	9	9	9	9	9	9	9	9	9	9
19	9	9	9	9	9	9	9	9	9	9
20	9	9	9	9	9	9	9	10	9	9
21	9	9	9	9	9	9	9	9	9	9
22	9	9	9	9	9	9	9	9	9	9
23	9	9	9	9	9	9	9	9	9	10

Cedar Bay Generating
 Jacksonville, FLA
Boiler 1-C Daily Opacity Report
 August 31, 2002

Emission Limit

Opacity 20% (27% Rule)

Hour	00-06	06-12	12-18	18-24	24-30	30-36	36-42	42-48	48-54	54-60
00	9	9	9	9	9	9	9	9	9	9
01	9	9	9	9	9	9	9	9	9	9
02	9	9	9	9	9	9	9	9	9	9
03	9	9	9	9	9	9	9	9	9	9
04	9	9	9	9	9	9	9	9	9	9
05	9	9	9	9	9	9	9	9	9	9
06	9	9	Cal	Cal	9	9	9	9	9	9
07	9	9	9	9	9	9	9	9	10	9
08	9	9	9	9	9	9	9	9	9	9
09	9	9	9	9	9	9	9	9	9	9
10	9	9	9	9	9	9	9	9	9	10
11	10	9	9	9	9	9	9	9	9	9
12	9	9	9	9	9	9	9	9	9	9
13	9	9	9	9	9	9	9	10	9	9
14	9	9	9	9	9	9	9	9	9	9
15	9	9	9	9	9	9	9	9	9	9
16	9	9	9	9	9	9	9	9	9	9
17	9	9	9	9	9	9	9	9	9	9
18	9	9	9	9	9	9	9	9	9	9
19	9	9	9	9	9	9	9	9	9	9
20	9	10	9	9	9	9	9	9	9	9
21	9	9	10	10	9	9	9	9	9	9
22	9	9	9	9	9	9	9	9	9	9
23	9	9	9	9	9	9	9	10	9	Inval

Cedar Bay Generating
 Jacksonville, FLA
Boiler 1-C Daily Opacity Report
 September 1, 2002

Emission Limit

Opacity 20% (27% Rule)

Hour	00-06	06-12	12-18	18-24	24-30	30-36	36-42	42-48	48-54	54-60
00	9	9	9	9	9	9	9	9	9	9
01	9	9	9	9	9	9	9	9	9	9
02	9	9	9	9	9	9	9	10	10	9
03	9	9	9	9	9	9	9	9	9	9
04	9	9	9	9	9	9	9	9	9	9
05	9	9	9	9	9	10	10	9	9	9
06	9	9	Cal	Cal	9	9	9	9	9	9
07	9	9	9	9	9	9	9	9	9	9
08	9	9	9	9	9	9	9	9	9	9
09	9	9	9	9	9	9	9	9	9	9
10	9	9	9	9	9	9	9	9	9	9
11	9	9	9	9	9	9	9	9	9	9
12	9	9	9	9	9	9	9	9	9	9
13	9	9	9	9	9	9	9	9	9	9
14	9	9	9	9	9	9	9	9	9	9
15	9	9	9	9	9	9	9	9	9	9
16	9	9	9	9	9	9	9	9	9	9
17	9	9	9	9	9	9	9	9	9	9
18	9	9	9	9	9	9	9	9	9	9
19	9	9	9	9	9	9	9	9	9	9
20	9	9	9	9	9	9	9	9	9	9
21	9	9	9	9	9	9	9	9	9	9
22	9	9	9	10	9	9	9	9	9	9
23	9	9	9	9	9	9	9	9	9	9

Cedar Bay Generating
 Jacksonville, FLA
Boiler 1-C Daily Opacity Report
 September 2, 2002

Emission Limit

Opacity 20% (27% Rule)

Hour	00-06	06-12	12-18	18-24	24-30	30-36	36-42	42-48	48-54	54-60
00	10	9	9	9	9	9	9	9	9	9
01	9	9	9	9	9	9	9	9	9	9
02	9	9	10	9	9	9	9	9	9	9
03	9	9	9	9	9	9	9	9	9	9
04	9	9	9	9	9	10	9	9	9	9
05	9	9	9	9	9	9	9	9	9	9
06	9	9	Cal	Cal	9	9	9	9	9	10
07	9	9	9	9	9	9	9	9	9	9
08	9	9	9	9	9	9	9	9	9	9
09	9	9	9	9	9	9	9	9	9	9
10	9	9	9	9	9	9	9	9	9	9
11	9	9	9	9	9	9	9	9	9	9
12	9	9	9	9	9	9	9	9	9	9
13	9	9	9	9	9	9	9	9	9	9
14	9	9	9	9	9	9	9	9	9	9
15	9	9	9	9	9	9	9	9	9	9
16	9	9	9	9	9	9	9	9	9	9
17	9	9	9	9	9	9	9	9	9	9
18	9	9	9	9	9	9	9	9	9	9
19	9	9	9	9	9	9	9	9	9	9
20	9	9	9	9	9	9	10	9	9	9
21	10	10	9	9	9	9	9	9	9	9
22	9	9	9	9	9	9	9	9	9	9
23	9	9	9	10	10	9	9	9	9	9

Cedar Bay Generating
 Jacksonville, FLA
Boiler 1-C Daily Opacity Report
 September 3, 2002

Emission Limit

Opacity 20% (27% Rule)

Hour	00-06	06-12	12-18	18-24	24-30	30-36	36-42	42-48	48-54	54-60
00	9	9	9	9	9	9	9	9	9	9
01	9	9	9	9	9	9	9	10	10	9
02	9	9	9	9	9	9	9	9	9	9
03	9	9	9	9	9	9	9	9	9	9
04	9	10	9	9	9	9	9	9	9	9
05	9	9	9	9	9	9	9	9	9	9
06	9	Cal	Cal	Cal	9	9	9	9	9	9
07	9	9	9	9	9	9	9	9	9	9
08	9	9	9	9	9	9	9	9	9	9
09	9	9	9	9	9	9	9	9	9	9
10	9	9	9	9	9	9	9	9	9	9
11	9	9	9	9	9	9	9	9	9	9
12	9	9	9	9	9	9	9	9	9	9
13	9	9	9	9	9	9	9	9	9	9
14	9	9	9	9	9	9	9	9	9	9
15	9	9	9	9	9	9	9	9	9	9
16	9	9	9	9	9	9	9	9	9	9
17	9	9	9	9	9	9	9	9	9	9
18	9	9	9	9	9	9	9	9	9	9
19	9	9	9	9	10	9	9	9	9	9
20	9	9	9	9	9	9	9	9	9	9
21	9	9	9	9	9	9	9	9	9	9
22	9	9	9	9	9	9	9	9	9	9
23	10	9	9	9	9	9	9	9	9	9

Cedar Bay Generating
 Jacksonville, FLA
Boiler 1-C Daily Opacity Report
 September 4, 2002

Emission Limit

Opacity 20% (27% Rule)

Hour	00-06	06-12	12-18	18-24	24-30	30-36	36-42	42-48	48-54	54-60
00	9	9	9	9	9	9	9	9	9	9
01	9	9	9	9	9	9	9	9	9	9
02	9	9	9	9	9	9	9	9	9	9
03	9	9	9	9	9	9	9	9	9	9
04	9	10	10	9	9	9	9	9	9	9
05	9	9	9	9	9	9	9	9	9	9
06	9	Cal	Cal	Cal	9	9	9	9	9	9
07	10	10	9	9	9	9	9	9	9	9
08	9	9	9	9	9	9	9	10	9	9
09	9	9	9	9	9	9	9	9	9	9
10	9	9	9	9	9	9	9	9	9	9
11	9	9	9	9	9	9	9	9	9	9
12	9	9	9	9	9	9	9	9	9	9
13	9	9	9	9	9	9	9	9	10	10
14	10	10	9	9	9	9	9	9	9	9
15	9	9	9	9	9	9	9	9	10	10
16	9	9	9	9	9	9	9	9	9	9
17	9	9	9	9	9	9	9	9	9	9
18	9	9	9	9	9	9	9	9	10	10
19	9	9	9	9	9	9	9	9	9	9
20	9	9	9	9	9	9	10	10	10	9
21	9	9	9	9	9	9	9	9	9	9
22	9	9	9	9	9	9	9	9	9	9
23	9	9	9	9	9	9	9	9	10	9

Cedar Bay Generating
 Jacksonville, FLA
Boiler 1-C Daily Opacity Report
 September 5, 2002

Emission Limit

Opacity 20% (27% Rule)

Hour	00-06	06-12	12-18	18-24	24-30	30-36	36-42	42-48	48-54	54-60
00	9	9	9	9	9	9	9	9	9	9
01	9	9	9	9	9	9	9	9	9	9
02	9	9	9	9	9	9	9	9	9	9
03	9	9	9	9	9	9	9	10	9	9
04	9	9	9	9	9	9	9	9	9	9
05	9	9	9	9	9	9	9	9	9	9
06	9	Cal	Cal	9	9	9	9	10	9	9
07	9	9	9	9	9	9	9	9	9	9
08	9	9	9	9	9	9	9	9	9	9
09	9	Down	9	9	Down	9	9	9	9	9
10	9	9	9	9	9	9	9	9	9	9
11	9	9	9	9	9	9	Down	Down	Down	9
12	Down	Down	Down	Down	9	9	9	Down	Down	Down
13	Down	Down	Down	Down	9	9	9	9	9	9
14	9	9	9	9	9	9	9	9	Maint	Maint
15	Maint	Maint	Maint	Maint	Maint	7	7	7	7	7
16	7	7	7	7	7	7	7	7	7	7
17	7	7	7	7	7	7	7	7	7	7
18	7	7	7	7	7	7	7	7	7	7
19	7	7	7	7	7	7	7	7	7	7
20	7	8	7	7	7	7	7	7	7	7
21	7	8	8	7	7	7	7	7	8	7
22	7	7	7	7	7	7	7	7	7	7
23	7	7	7	7	7	7	7	7	7	7

Cedar Bay Generating
 Jacksonville, FLA
Boiler 1-C Daily Opacity Report
 September 6, 2002

Emission Limit

Opacity 20% (27% Rule)

Hour	00-06	06-12	12-18	18-24	24-30	30-36	36-42	42-48	48-54	54-60
00	7	7	7	7	7	8	8	7	7	7
01	7	7	7	7	7	7	7	7	7	7
02	7	7	7	7	7	7	7	7	7	7
03	7	7	7	7	7	7	7	7	7	7
04	7	7	7	7	7	8	7	7	7	7
05	7	7	7	7	7	7	7	7	7	7
06	7	7	7	7	7	7	7	7	7	7
07	7	7	7	7	7	7	7	7	7	7
08	7	7	7	7	7	7	7	7	7	7
09	7	7	7	7	7	7	7	7	7	7
10	7	7	7	7	7	7	7	7	7	7
11	7	7	7	7	7	7	7	7	7	7
12	7	7	7	7	7	7	7	7	7	7
13	7	7	7	7	7	7	7	7	7	7
14	7	7	7	7	7	7	7	7	7	7
15	7	7	7	Cal	Cal	7	7	7	7	7
16	7	7	7	7	7	7	7	7	7	7
17	7	7	7	7	7	7	7	7	8	7
18	7	7	7	7	7	7	7	7	7	7
19	7	7	7	7	7	7	7	7	7	7
20	8	8	8	7	7	7	7	7	7	7
21	7	7	7	7	7	7	7	7	7	7
22	7	7	8	8	8	7	7	7	7	7
23	7	7	7	7	8	7	7	7	7	7

Cedar Bay Generating
 Jacksonville, FLA
Boiler 1-C Daily Opacity Report
 September 7, 2002

Emission Limit

Opacity 20% (27% Rule)

Hour	00-06	06-12	12-18	18-24	24-30	30-36	36-42	42-48	48-54	54-60
00	7	7	7	7	7	7	7	7	7	7
01	7	7	7	7	7	7	7	7	7	7
02	7	7	7	7	8	8	8	7	7	7
03	8	7	7	7	7	7	8	7	8	7
04	7	7	7	7	7	7	7	7	7	7
05	7	7	7	7	7	7	7	7	7	7
06	Down	Down	Down	Down	Down	Down	Down	7	7	7
07	7	7	8	7	7	7	7	7	7	7
08	7	7	7	7	7	7	7	8	8	7
09	7	7	7	7	8	7	7	7	7	7
10	7	7	7	7	7	7	7	7	7	7
11	7	7	7	7	7	7	7	7	7	7
12	7	7	7	7	7	7	7	7	7	7
13	7	7	8	7	7	7	7	7	7	7
14	7	7	7	7	7	7	7	7	7	7
15	7	7	7	Cal	Cal	7	7	7	7	7
16	7	7	7	7	7	7	7	7	8	7
17	7	7	7	7	7	7	7	7	7	7
18	7	7	7	7	7	7	7	7	7	7
19	7	7	7	7	7	7	7	7	8	8
20	8	8	8	8	7	7	7	7	7	7
21	7	7	7	7	7	7	7	7	7	7
22	7	7	7	7	7	7	8	8	7	8
23	8	7	7	7	7	7	8	8	8	7

Cedar Bay Generating
 Jacksonville, FLA
Boiler 1-C Daily Opacity Report
 September 8, 2002

Emission Limit

Opacity 20% (27% Rule)

Hour	00-06	06-12	12-18	18-24	24-30	30-36	36-42	42-48	48-54	54-60
00	7	7	7	7	7	7	7	7	7	7
01	7	7	7	7	7	7	7	7	7	8
02	8	8	8	7	7	7	7	8	8	7
03	7	7	7	7	7	7	7	7	7	7
04	7	7	7	7	7	7	8	8	8	7
05	7	7	7	8	8	7	7	7	7	7
06	7	7	7	7	7	7	7	7	7	7
07	7	8	8	8	8	7	7	7	7	7
08	7	7	7	7	7	8	8	7	8	8
09	7	8	7	7	7	7	7	7	7	7
10	7	7	7	7	7	7	7	7	7	7
11	7	7	7	7	7	7	7	7	7	7
12	7	7	7	7	7	7	8	8	7	7
13	7	7	7	7	7	7	7	7	7	7
14	7	7	7	7	7	7	7	7	7	8
15	7	7	7	Cal	Cal	7	7	7	7	7
16	7	7	7	7	7	7	7	7	7	7
17	7	7	7	7	7	7	7	7	7	7
18	7	7	7	8	8	8	7	7	7	7
19	8	7	7	7	7	7	7	7	7	7
20	7	7	8	9	9	8	8	8	7	8
21	8	7	7	7	7	7	7	7	7	7
22	7	7	7	7	7	7	7	7	7	7
23	7	7	7	7	7	7	8	8	7	8

Cedar Bay Generating
 Jacksonville, FLA
Boiler 1-C Daily Opacity Report
 September 9, 2002

Emission Limit

Opacity 20% (27% Rule)

Hour	00-06	06-12	12-18	18-24	24-30	30-36	36-42	42-48	48-54	54-60
00	8	7	7	7	7	7	7	8	7	7
01	7	7	7	7	7	7	7	7	7	7
02	7	7	7	7	7	7	7	7	7	8
03	8	8	7	7	7	8	8	7	7	7
04	7	7	7	7	7	7	7	7	7	7
05	8	7	7	7	7	7	8	8	Down	Down
06	Down	8	7	8	8	8	7	7	7	7
07	7	8	8	8	8	8	8	8	8	8
08	8	8	8	8	8	8	8	7	8	8
09	7	7	8	8	8	8	8	8	7	7
10	7	7	7	7	7	7	7	7	7	8
11	8	8	7	8	7	7	7	7	7	7
12	7	7	7	7	7	8	8	8	7	7
13	7	7	7	7	7	7	7	7	7	7
14	7	7	8	8	8	7	7	7	7	7
15	7	7	7	Cal	Cal	7	7	7	7	7
16	7	7	7	8	8	7	7	7	7	7
17	7	7	7	7	7	7	7	7	7	7
18	7	7	7	7	7	7	7	8	8	8
19	7	7	7	7	7	7	7	7	7	7
20	8	8	8	7	7	7	7	7	7	7
21	8	8	7	7	8	7	7	7	7	7
22	7	7	8	7	7	7	7	7	7	7
23	7	7	7	7	7	7	7	7	8	8

Cedar Bay Generating
 Jacksonville, FLA
Boiler 1-C Daily Opacity Report
 September 10, 2002

Emission Limit

Opacity 20% (27% Rule)

Hour	00-06	06-12	12-18	18-24	24-30	30-36	36-42	42-48	48-54	54-60
00	8	8	8	8	8	8	8	8	8	8
01	7	8	7	8	8	8	8	8	8	8
02	8	7	8	8	8	8	8	8	8	8
03	8	8	8	8	8	8	8	8	8	8
04	8	8	8	8	8	8	8	8	8	8
05	8	8	8	8	8	8	8	8	8	8
06	8	8	8	8	8	8	8	8	8	8
07	8	8	8	8	7	8	8	8	7	8
08	8	8	8	8	8	8	8	8	8	8
09	8	8	8	8	8	8	8	8	8	8
10	8	8	8	Down	Down	8	7	7	8	7
11	7	7	7	8	8	7	8	8	8	8
12	8	8	7	7	7	7	7	7	7	7
13	7	7	7	7	7	7	7	7	7	7
14	7	7	8	8	8	7	7	7	7	7
15	8	7	Cal	Cal	7	7	7	7	7	7
16	7	7	7	7	7	7	7	7	7	7
17	7	7	7	7	8	8	7	7	7	7
18	7	7	7	7	7	7	7	7	7	7
19	7	7	7	7	7	7	7	7	7	7
20	7	7	8	8	8	7	8	8	8	7
21	8	7	7	8	8	8	8	8	7	8
22	8	8	8	7	8	8	8	8	8	8
23	8	8	8	8	8	8	8	7	8	8

Cedar Bay Generating
 Jacksonville, FLA
Boiler 1-C Daily Opacity Report
 September 11, 2002

Emission Limit

Opacity 20% (27% Rule)

Hour	00-06	06-12	12-18	18-24	24-30	30-36	36-42	42-48	48-54	54-60
00	8	8	8	8	8	8	8	8	8	8
01	8	8	8	8	8	8	8	8	8	8
02	8	8	8	8	8	8	8	8	8	8
03	8	8	8	8	8	8	8	8	8	8
04	8	8	8	8	8	8	8	8	8	8
05	8	8	8	8	7	8	8	8	8	8
06	8	8	8	8	8	8	8	8	8	8
07	7	8	8	8	8	8	8	8	8	8
08	8	8	8	8	8	8	8	8	8	8
09	8	8	8	8	8	8	8	8	8	8
10	8	8	8	8	8	8	8	8	8	8
11	8	8	7	7	8	8	8	8	7	8
12	8	7	7	7	7	8	7	7	7	7
13	7	8	7	7	7	7	7	7	7	7
14	7	7	7	7	7	7	7	7	7	7
15	7	7	Cal	Cal	7	7	7	7	7	7
16	8	7	7	7	7	7	7	7	7	7
17	7	7	7	7	7	8	8	8	8	7
18	7	7	7	7	7	7	7	7	7	7
19	7	7	7	7	7	7	7	7	7	7
20	7	8	8	8	9	10	8	8	8	7
21	7	7	7	7	8	8	7	7	7	7
22	7	8	8	8	8	8	7	8	7	8
23	8	8	8	8	8	8	8	8	7	7

Cedar Bay Generating
 Jacksonville, FLA
Boiler 1-C Daily Opacity Report
 September 12, 2002

Emission Limit

Opacity 20% (27% Rule)

Hour	00-06	06-12	12-18	18-24	24-30	30-36	36-42	42-48	48-54	54-60
00	8	7	8	8	7	8	8	8	8	8
01	8	7	7	8	8	8	7	7	8	7
02	8	7	7	8	7	8	8	8	8	7
03	8	7	8	7	8	8	8	7	8	8
04	8	8	8	8	7	8	7	8	8	8
05	8	8	8	8	8	7	8	8	8	8
06	8	8	8	8	8	8	8	8	8	8
07	8	8	8	8	8	8	8	8	8	8
08	8	8	8	8	8	8	8	8	8	8
09	8	8	8	8	8	8	8	8	8	8
10	7	7	8	7	7	7	7	7	7	7
11	7	7	8	8	8	7	8	7	7	7
12	7	7	7	7	7	7	7	7	7	7
13	7	7	7	7	7	7	7	8	8	7
14	7	7	7	7	7	7	7	7	7	7
15	7	7	Cal	Cal	7	7	7	7	7	7
16	7	7	7	8	8	8	8	7	7	7
17	7	8	8	8	8	8	7	8	8	8
18	8	8	8	8	8	8	8	7	8	8
19	8	8	8	8	8	8	8	8	8	8
20	8	8	8	8	8	8	8	8	8	8
21	8	8	8	8	8	8	8	8	8	8
22	8	8	8	8	8	8	8	8	8	8
23	8	8	8	8	8	8	8	8	8	8

Cedar Bay Generating
 Jacksonville, FLA
Boiler 1-C Daily Opacity Report
 September 13, 2002

Emission Limit

Opacity 20% (27% Rule)

Hour	00-06	06-12	12-18	18-24	24-30	30-36	36-42	42-48	48-54	54-60
00	8	8	8	8	8	8	8	8	8	8
01	8	8	8	8	8	8	8	8	8	8
02	8	8	8	8	8	8	8	8	8	8
03	8	8	8	8	8	8	8	8	8	8
04	8	8	8	8	8	8	8	8	8	8
05	8	8	8	8	8	8	8	8	8	8
06	8	8	8	8	8	8	8	8	8	8
07	8	8	8	8	8	8	8	8	8	8
08	8	8	8	8	8	8	8	8	8	8
09	8	8	8	8	8	8	8	8	8	8
10	8	8	8	8	8	8	7	8	8	8
11	8	8	8	8	8	7	8	8	7	8
12	8	8	8	8	8	8	8	8	8	8
13	8	8	8	8	8	8	8	8	8	8
14	8	8	8	8	7	8	8	8	8	8
15	8	8	Cal	Cal	7	7	7	7	7	7
16	7	7	7	7	7	7	7	7	7	7
17	7	7	7	7	8	8	8	7	7	7
18	7	7	7	7	7	7	7	7	7	7
19	7	7	7	7	7	7	7	7	8	8
20	7	7	7	8	7	7	7	7	7	7
21	7	7	8	7	7	7	7	7	7	7
22	7	7	7	7	7	7	7	7	7	7
23	8	8	8	7	7	7	7	7	7	8

Cedar Bay Generating
 Jacksonville, FLA
Boiler 1-C Daily Opacity Report
 September 14, 2002

Emission Limit

Opacity 20% (27% Rule)

Hour	00-06	06-12	12-18	18-24	24-30	30-36	36-42	42-48	48-54	54-60
00	8	8	7	7	7	7	7	7	7	7
01	7	7	7	8	8	8	7	8	7	7
02	7	7	7	7	7	7	7	7	7	7
03	7	7	7	7	7	7	7	7	7	8
04	10	8	8	7	7	7	7	7	7	7
05	7	7	7	7	7	7	7	7	7	7
06	7	7	7	7	7	8	8	8	7	7
07	7	7	7	7	7	7	7	7	7	7
08	7	7	7	7	7	7	7	7	7	7
09	8	8	8	7	7	7	7	7	7	7
10	7	7	7	7	7	7	7	8	7	7
11	7	7	7	7	7	7	7	7	7	7
12	7	8	7	7	7	7	7	7	7	7
13	7	7	7	7	7	7	7	7	7	7
14	7	7	7	7	7	7	7	8	7	7
15	7	7	Cal	Cal	7	7	7	7	7	7
16	7	7	7	7	7	7	7	7	7	7
17	7	7	7	7	7	7	8	8	8	7
18	7	7	8	8	7	7	7	7	7	7
19	7	8	7	8	8	8	8	8	8	8
20	8	8	8	8	8	8	8	8	8	8
21	8	8	8	8	8	8	8	8	8	8
22	8	8	8	8	8	8	8	8	8	8
23	8	8	8	8	8	8	8	8	8	8

Cedar Bay Generating
 Jacksonville, FLA
Boiler 1-C Daily Opacity Report
 September 15, 2002

Emission Limit

Opacity 20% (27% Rule)

Hour	00-06	06-12	12-18	18-24	24-30	30-36	36-42	42-48	48-54	54-60
00	8	8	8	8	8	8	8	8	7	7
01	8	8	8	8	8	8	8	8	8	8
02	8	8	8	8	8	8	8	8	8	8
03	8	8	8	8	8	8	7	8	7	7
04	7	8	8	8	8	7	8	8	8	8
05	8	7	8	8	8	8	7	8	7	7
06	8	8	7	8	8	8	8	8	8	8
07	7	7	7	7	7	7	7	7	7	7
08	8	7	7	7	7	7	7	7	8	8
09	8	8	7	7	8	8	8	7	7	7
10	7	7	7	7	7	7	7	7	7	7
11	7	7	7	7	7	7	8	8	8	7
12	7	7	7	7	7	7	7	7	7	7
13	7	7	7	7	7	7	7	7	8	8
14	8	7	7	7	7	7	7	7	7	7
15	7	7	Cal	Cal	7	7	7	7	7	7
16	7	8	8	8	7	8	8	8	8	8
17	8	8	8	8	8	8	8	8	8	8
18	8	8	8	8	8	8	8	8	8	8
19	8	8	8	8	8	8	Invalid	8	8	8
20	8	8	8	8	8	8	8	8	8	8
21	8	8	8	8	8	8	8	8	8	8
22	8	8	8	8	8	8	8	8	8	8
23	8	8	8	8	8	8	8	8	8	8

Cedar Bay Generating
 Jacksonville, FLA
Boiler 1-C Daily Opacity Report
 September 16, 2002

Emission Limit

Opacity 20% (27% Rule)

Hour	00-06	06-12	12-18	18-24	24-30	30-36	36-42	42-48	48-54	54-60
00	8	8	8	8	8	8	8	8	8	8
01	8	8	8	8	8	8	8	8	8	8
02	8	8	8	8	8	8	8	8	8	8
03	8	8	8	8	8	8	8	8	8	8
04	8	8	8	8	8	8	8	8	8	8
05	8	8	8	9	8	8	8	8	8	8
06	8	8	8	8	8	8	8	8	8	8
07	8	8	8	8	8	8	8	8	8	8
08	8	8	8	8	8	8	8	8	8	8
09	8	8	8	8	8	8	8	8	8	8
10	8	8	8	8	8	8	8	8	8	8
11	8	8	8	8	8	8	8	8	8	8
12	8	8	8	8	8	8	8	8	8	8
13	8	8	8	8	8	8	8	8	8	8
14	8	8	8	8	8	8	8	8	8	8
15	8	7	Cal	Cal	7	7	7	7	7	7
16	7	7	8	8	7	7	7	7	7	7
17	7	7	7	7	7	7	7	7	7	7
18	7	7	7	7	7	8	8	8	8	7
19	7	7	7	7	7	7	7	7	7	7
20	7	7	7	7	7	7	7	7	7	8
21	8	7	8	7	7	7	7	8	7	7
22	7	7	7	7	7	7	7	7	7	7
23	7	7	7	7	7	7	7	7	8	8

Cedar Bay Generating
 Jacksonville, FLA
Boiler 1-C Daily Opacity Report
 September 17, 2002

Emission Limit

Opacity 20% (27% Rule)

Hour	00-06	06-12	12-18	18-24	24-30	30-36	36-42	42-48	48-54	54-60
00	8	7	8	8	7	7	7	7	7	7
01	7	7	7	7	7	7	7	7	7	7
02	7	7	7	7	7	7	7	7	8	9
03	8	7	8	7	7	7	8	8	7	7
04	7	7	7	7	7	7	7	7	7	7
05	8	8	8	8	8	8	8	8	8	8
06	8	8	7	7	7	8	8	8	8	8
07	8	7	7	7	7	7	8	8	7	8
08	8	7	8	8	8	8	8	7	7	7
09	7	7	7	7	7	7	7	7	7	7
10	8	8	8	7	7	7	7	7	7	7
11	7	7	7	7	7	7	7	7	8	8
12	8	7	7	7	7	7	7	7	7	7
13	7	7	7	7	7	7	7	7	8	8
14	7	7	7	7	7	7	7	7	7	7
15	7	7	Cal	Cal	7	7	7	7	8	8
16	8	8	7	7	7	7	7	7	7	7
17	7	7	7	7	7	8	8	8	8	8
18	8	8	8	8	8	8	8	8	8	8
19	8	8	8	8	8	8	8	8	8	8
20	8	8	8	8	9	9	8	8	8	8
21	8	8	8	8	8	8	8	8	8	8
22	8	8	8	8	8	8	8	8	8	8
23	8	8	8	8	8	8	8	8	8	8

Cedar Bay Generating
 Jacksonville, FLA
Boiler 1-C Daily Opacity Report
 September 18, 2002

Emission Limit

Opacity 20% (27% Rule)

Hour	00-06	06-12	12-18	18-24	24-30	30-36	36-42	42-48	48-54	54-60
00	8	8	8	8	8	8	8	8	8	8
01	8	8	8	8	8	8	8	8	8	8
02	8	8	8	8	8	8	8	8	8	8
03	8	8	8	8	8	8	8	8	8	8
04	8	8	8	8	8	8	8	8	8	8
05	8	8	8	8	8	8	8	8	8	8
06	8	8	8	8	8	8	8	8	8	8
07	8	8	8	8	8	8	8	8	8	8
08	8	8	8	8	8	8	8	8	8	8
09	8	8	8	8	8	8	8	8	8	8
10	8	8	8	8	8	8	8	8	8	8
11	8	8	8	8	8	8	8	8	8	8
12	8	8	8	7	7	8	8	8	8	8
13	8	8	8	8	8	8	8	8	8	8
14	8	8	8	8	7	7	7	7	7	8
15	7	8	Cal	Cal	8	7	7	7	7	7
16	7	7	7	7	7	8	8	8	8	8
17	8	8	8	8	8	8	8	8	8	8
18	8	8	8	8	8	8	8	8	8	8
19	8	8	8	8	8	8	8	8	8	8
20	8	8	8	9	9	8	8	8	8	8
21	8	8	8	8	8	8	8	8	8	8
22	8	8	8	8	8	8	8	8	8	8
23	8	8	8	8	8	8	8	8	8	8

Cedar Bay Generating
 Jacksonville, FLA
Boiler 1-C Daily Opacity Report
 September 19, 2002

Emission Limit

Opacity 20% (27% Rule)

Hour	00-06	06-12	12-18	18-24	24-30	30-36	36-42	42-48	48-54	54-60
00	8	8	8	8	8	8	8	8	8	8
01	8	8	8	8	8	8	8	8	8	8
02	8	8	8	8	8	8	8	8	8	8
03	8	8	8	8	8	8	8	8	8	8
04	8	8	8	8	8	8	8	8	8	8
05	8	8	8	8	8	8	8	8	8	8
06	8	8	8	8	8	8	8	8	8	8
07	8	8	8	8	8	8	8	8	8	8
08	8	8	8	8	8	8	8	8	8	8
09	8	8	8	8	8	8	8	8	8	8
10	8	8	8	8	8	8	8	8	8	8
11	8	8	8	8	8	8	8	8	8	8
12	8	8	8	8	8	8	8	8	8	8
13	8	7	8	8	8	8	8	8	8	8
14	8	8	8	8	8	8	8	8	8	8
15	8	8	Cal	Cal	7	8	8	8	8	7
16	7	7	7	7	7	7	7	7	7	7
17	7	7	7	8	8	8	8	7	7	7
18	7	7	7	7	7	7	7	7	7	7
19	8	8	8	8	7	8	7	7	7	7
20	7	7	8	8	8	8	8	8	8	8
21	8	7	7	7	7	7	7	7	7	7
22	7	8	8	8	7	7	7	8	8	8
23	8	8	8	8	8	8	7	8	8	8

Cedar Bay Generating
 Jacksonville, FLA
Boiler 1-C Daily Opacity Report
 September 20, 2002

Emission Limit

Opacity 20% (27% Rule)

Hour	00-06	06-12	12-18	18-24	24-30	30-36	36-42	42-48	48-54	54-60
00	8	8	8	8	8	7	8	8	8	8
01	7	8	7	8	8	8	8	8	8	8
02	8	8	8	8	8	8	8	7	8	8
03	8	7	7	7	8	8	8	8	8	8
04	8	8	8	8	7	8	8	7	7	8
05	8	8	8	7	8	8	7	8	8	8
06	8	8	8	8	8	8	8	7	7	8
07	8	7	7	7	8	8	7	8	8	8
08	8	8	8	8	8	7	7	7	7	7
09	7	8	8	8	7	7	7	7	7	7
10	7	7	7	7	7	7	7	8	8	7
11	8	7	8	7	7	8	8	7	7	7
12	7	7	7	7	8	8	8	8	7	7
13	7	7	7	7	7	8	8	8	7	7
14	7	7	7	7	7	7	7	7	7	7
15	7	7	Cal	Cal	8	8	8	7	7	7
16	7	7	7	7	7	7	7	7	7	7
17	7	7	8	8	8	8	8	8	8	8
18	8	8	8	8	8	8	8	8	8	8
19	8	8	8	8	8	8	8	8	8	8
20	8	8	8	8	8	8	8	8	8	9
21	9	8	8	8	8	8	8	8	8	8
22	8	8	8	8	8	8	8	8	8	8
23	8	8	8	8	8	8	8	8	8	8

Cedar Bay Generating
 Jacksonville, FLA
Boiler 1-C Daily Opacity Report
 September 21, 2002

Emission Limit

Opacity 20% (27% Rule)

Hour	00-06	06-12	12-18	18-24	24-30	30-36	36-42	42-48	48-54	54-60
00	8	8	8	8	8	8	8	8	8	8
01	8	8	8	8	8	8	8	8	8	8
02	8	8	8	8	8	8	8	8	8	8
03	8	8	8	8	8	8	8	8	8	8
04	8	8	8	8	8	8	8	8	8	8
05	8	8	8	8	8	8	8	8	8	8
06	8	8	8	8	8	8	8	8	8	8
07	8	8	8	8	8	8	8	8	8	8
08	8	8	8	8	8	8	8	8	8	8
09	8	8	8	8	8	8	8	8	8	8
10	8	8	8	8	8	8	8	8	8	8
11	8	8	8	8	8	8	8	8	8	8
12	8	8	8	8	8	8	8	8	7	8
13	8	8	8	8	7	8	8	7	7	7
14	7	7	7	7	7	7	8	8	8	7
15	7	7	Cal	Cal	7	7	7	7	7	7
16	7	7	7	7	7	7	7	7	7	8
17	8	8	8	8	7	8	8	8	8	8
18	8	8	8	8	8	8	8	8	8	8
19	8	8	8	8	8	8	8	8	8	8
20	8	8	8	8	8	8	8	8	8	8
21	8	8	8	8	9	8	8	8	8	8
22	8	8	8	8	8	8	8	8	8	8
23	8	8	8	8	8	8	8	8	8	8

Cedar Bay Generating
 Jacksonville, FLA
Boiler 1-C Daily Opacity Report
 September 22, 2002

Emission Limit

Opacity 20% (27% Rule)

Hour	00-06	06-12	12-18	18-24	24-30	30-36	36-42	42-48	48-54	54-60
00	8	8	8	8	8	8	8	8	8	8
01	8	8	8	8	8	8	8	8	8	8
02	8	8	8	8	8	8	8	8	8	8
03	8	8	8	8	8	8	8	8	8	8
04	8	8	8	8	8	8	8	8	8	8
05	8	8	8	8	8	8	8	8	8	8
06	8	8	8	8	8	8	8	8	8	8
07	8	8	8	8	8	8	8	8	8	8
08	8	8	8	8	8	8	8	8	8	8
09	8	8	8	8	8	8	8	8	8	8
10	8	8	8	8	8	8	8	8	8	8
11	8	8	8	8	8	8	8	8	8	8
12	8	8	8	7	8	7	8	8	8	8
13	8	8	8	8	8	8	8	7	8	8
14	8	8	7	7	7	7	7	7	7	8
15	8	8	Cal	Cal	7	7	7	7	7	7
16	7	7	7	7	7	7	7	7	7	8
17	7	8	8	8	8	8	8	8	8	8
18	8	8	8	8	8	8	8	8	8	8
19	8	8	8	8	8	8	8	8	8	8
20	8	8	8	8	8	8	8	8	8	8
21	8	8	8	8	8	8	8	8	8	8
22	8	8	8	8	8	8	8	8	8	8
23	8	8	8	8	8	8	8	8	8	8

Cedar Bay Generating
 Jacksonville, FLA
Boiler 1-C Daily Opacity Report
 September 23, 2002

Emission Limit

Opacity 20% (27% Rule)

Hour	00-06	06-12	12-18	18-24	24-30	30-36	36-42	42-48	48-54	54-60
00	8	8	8	8	8	8	8	8	8	8
01	8	8	8	8	8	8	8	8	8	8
02	8	8	8	8	8	8	8	8	8	8
03	8	8	8	8	8	8	8	8	8	8
04	8	8	8	8	8	8	8	8	8	8
05	8	8	8	8	8	8	8	8	8	8
06	8	8	8	8	8	8	8	8	8	8
07	8	8	8	8	8	8	8	8	8	8
08	8	8	8	8	8	8	8	8	8	8
09	8	8	8	8	8	8	8	8	8	8
10	8	8	8	8	8	8	8	8	8	8
11	8	8	8	8	8	8	8	8	8	8
12	8	8	8	8	8	8	8	8	8	8
13	8	8	8	8	8	8	8	8	8	8
14	8	8	8	8	8	7	8	8	8	8
15	8	8	Cal	Cal	8	7	7	7	7	7
16	7	7	7	7	7	7	7	7	7	7
17	7	8	8	8	8	8	8	8	8	8
18	8	7	8	8	8	8	8	8	8	8
19	8	8	8	8	8	8	8	8	8	8
20	8	8	8	8	8	8	8	8	8	8
21	8	8	8	8	8	8	8	8	8	8
22	8	8	8	8	8	8	8	8	8	8
23	8	8	8	8	8	8	8	8	8	8

Cedar Bay Generating
 Jacksonville, FLA
Boiler 1-C Daily Opacity Report
 September 24, 2002

Emission Limit

Opacity 20% (27% Rule)

Hour	00-06	06-12	12-18	18-24	24-30	30-36	36-42	42-48	48-54	54-60
00	8	8	8	8	8	8	8	8	8	8
01	8	8	8	8	8	8	8	8	8	8
02	8	8	8	8	8	8	8	8	8	8
03	8	8	8	8	8	8	8	8	8	8
04	8	8	8	8	8	8	8	8	8	8
05	8	8	8	8	8	8	8	8	8	8
06	8	8	8	8	8	8	8	8	8	8
07	8	8	8	8	8	8	8	8	8	8
08	8	8	8	8	8	8	8	8	8	8
09	8	8	8	8	8	8	8	8	8	8
10	8	8	8	8	8	8	8	8	8	8
11	8	8	8	8	8	8	8	8	8	8
12	8	8	8	8	8	8	8	8	8	8
13	8	8	8	8	8	8	8	8	8	8
14	8	8	8	8	8	8	8	8	8	8
15	8	8	Cal	Cal	7	7	7	7	7	7
16	7	7	7	7	7	7	7	7	7	7
17	7	7	7	7	7	8	8	8	7	8
18	8	8	8	8	8	8	8	8	8	8
19	8	8	8	8	8	8	8	8	8	8
20	8	8	8	8	8	8	8	8	8	8
21	8	8	8	8	8	8	8	8	8	8
22	8	8	8	8	8	7	7	8	8	8
23	8	8	8	7	7	7	7	7	8	7

Cedar Bay Generating
 Jacksonville, FLA
Boiler 1-C Daily Opacity Report
 September 25, 2002

Emission Limit

Opacity 20% (27% Rule)

Hour	00-06	06-12	12-18	18-24	24-30	30-36	36-42	42-48	48-54	54-60
00	7	7	8	8	8	8	8	8	7	7
01	7	7	7	7	7	7	7	7	7	7
02	8	8	9	8	8	7	7	7	7	7
03	7	7	7	7	7	7	7	8	7	7
04	7	7	7	7	7	7	7	7	7	7
05	7	7	7	7	7	7	7	7	7	7
06	7	7	7	7	7	7	7	7	8	8
07	7	7	7	7	7	7	7	7	7	7
08	7	7	7	7	7	7	7	7	7	7
09	7	7	7	7	7	7	7	7	8	7
10	7	7	7	7	7	7	7	7	7	7
11	7	7	7	7	7	7	7	7	7	7
12	7	7	7	7	7	7	7	7	7	7
13	7	7	7	7	7	7	7	7	7	7
14	7	7	7	7	7	7	7	7	7	7
15	7	7	Cal	Cal	Down	Down	Down	Down	7	7
16	Down	Down	Down	Down	8	7	7	8	8	Down
17	7	7	7	8	8	8	8	8	8	8
18	8	8	8	8	7	8	8	8	8	8
19	8	8	8	8	8	8	8	8	8	8
20	8	8	8	8	8	8	8	8	8	8
21	8	8	8	8	8	8	8	8	8	8
22	8	8	8	8	8	8	8	8	8	8
23	8	8	8	8	8	8	8	8	8	8

Cedar Bay Generating
 Jacksonville, FLA
Boiler 1-C Daily Operations Report
 August 27, 2002

Operational Limits

Oil Heat Input - 380 mmBtu/hr
 Total Heat Input - 1169 mmBtu/hr

SO2 Reduction - 80%

Hour	Oil Flow gallons	Fiber Flow klbs	Coal Flow klbs	Steam Flow klbs	Limestone klbs	Oil Heat Input mmBtu	Total Heat Input mmBtu	Megawatts	SO2 Inlet lb/mmBtu	SO2 Reduction %
00	Down	3.00	78.8	723	11.99	Down	1012.0	247.2	1.347	91.5
01	Down	3.00	79.3	725	4.26	Down	1018.3	247.2	1.347	92.5
02	Down	3.00	74.4	686	4.00	Down	956.3	230.3	1.346	91.6
03	Down	3.00	46.2	422	4.00	Down	599.5	113.7	1.338	100.0
04	Down	3.00	45.1	398	4.00	Down	585.6	101.8	1.337	100.0
05	Down	1.33	61.1	508	9.46	Down	779.7	156.2	1.351	99.9
06	Down	Down	82.3	741	12.51	Down	1041.3	250.9	1.359	92.9
07	Down	Down	80.6	744	4.55	Down	1019.8	250.2	1.359	92.4
08	Down	0.54	81.0	742	6.59	Down	1027.5	250.3	1.356	82.7
09	Down	3.00	80.9	745	14.25	Down	1038.5	249.9	1.347	79.3
10	Down	3.00	81.4	748	15.70	Down	1044.9	250.1	1.346	86.1
11	Down	3.00	83.5	762	14.78	Down	1071.4	253.7	1.347	84.7
12	Down	3.00	83.1	768	16.40	Down	1066.4	255.2	1.347	79.7
13	Down	3.00	82.0	761	16.28	Down	999.0	253.5	1.813	88.9
14	Down	3.00	82.1	755	14.50	Down	1000.2	253.3	1.814	90.1
15	Down	3.00	82.0	755	16.43	Down	999.0	253.5	1.813	85.5
16	Down	3.00	82.1	747	14.72	Down	1000.2	253.7	1.814	91.7
17	Down	3.00	83.5	757	14.83	Down	1017.0	255.7	1.814	83.7
18	Down	3.00	82.9	753	16.47	Down	1009.8	255.2	1.814	86.5
19	Down	3.00	82.6	744	16.48	Down	1006.2	254.1	1.814	86.4
20	Down	3.00	79.4	715	14.16	Down	967.8	248.3	1.813	90.9
21	Down	2.96	79.7	716	15.62	Down	971.2	248.1	1.813	83.9
22	Down	3.00	79.5	716	15.29	Down	969.0	248.0	1.813	89.0
23	Down	0.68	17.6	164	3.61	Down	214.6	247.8	1.812	89.1
Average	Down	2.71	74.6	679	11.70	Down	934.0	227	1.561	89
Total	Down	59.5	1791.1	16295	280.9	Down	22415.2	5437		
30-Day Rig Avg										88

Cedar Bay Generating
 Jacksonville, FLA
Boiler 1-C Daily Operations Report
 August 28, 2002

Operational Limits

Oil Heat Input - 380 mmBtu/hr
 Total Heat Input - 1169 mmBtu/hr

SO2 Reduction - 80%

Hour	Oil Flow gallons	Fiber Flow klbs	Coal Flow klbs	Steam Flow klbs	Limestone klbs	Oil Heat Input mmBtu	Total Heat Input mmBtu	Megawatts	SO2 Inlet lb/mmBtu	SO2 Reduction %
00	Down	Down	Down	Down	Down	Down	Down	Down	Inval	100.0
01	Down	Down	Down	Down	Down	Down	Down	Down	Inval	100.0
02	Down	Down	Down	Down	Down	Down	Down	Down	Inval	100.0
03	Down	Down	Down	Down	Down	Down	Down	Down	Inval	100.0
04	Down	Down	Down	Down	Down	Down	Down	Down	Inval	100.0
05	Down	Down	Down	Down	Down	Down	Down	Down	Inval	100.0
06	Down	Down	Down	Down	Down	Down	Down	Down	Inval	100.0
07	Down	0.93	Down	Down	Down	Down	2.3	Down	0.000	100.0
08	Down	0.58	Down	Down	Down	Down	1.5	Down	0.000	100.0
09	Down	0.66	Down	Down	Down	Down	1.7	Down	0.000	100.0
10	Down	Down	Down	Down	Down	Down	Down	Down	Inval	100.0
11	Down	Down	Down	Down	Down	Down	Down	Down	Inval	100.0
12	Down	Down	Down	Down	Down	Down	Down	Down	Inval	100.0
13	Down	Down	Down	Down	Down	Down	Down	Down	Inval	100.0
14	Down	Down	Down	Down	Down	Down	Down	Down	Inval	100.0
15	Down	Down	Down	Down	Down	Down	Down	Down	Inval	100.0
16	Down	Down	Down	Down	Down	Down	Down	Down	Inval	100.0
17	Down	Down	Down	Down	Down	Down	Down	Down	Inval	100.0
18	Down	Down	Down	Down	Down	Down	Down	Down	Inval	100.0
19	Down	Down	Down	Down	Down	Down	Down	Down	Inval	100.0
20	Down	Down	Down	Down	Down	Down	Down	Down	Inval	100.0
21	Down	Down	Down	Down	Down	Down	Down	Down	Inval	100.0
22	Down	Down	Down	Down	Down	Down	Down	Down	Inval	100.0
23	Down	Down	Down	Down	Down	Down	Down	Down	Inval	100.0
Average	Down	0.72	Down	Down	Down	Down	1.8	Down	0.000	100
Total	Down	2.2	Down	Down	Down	Down	5.5	Down		
30-Day Rlg Avg										88

Cedar Bay Generating
 Jacksonville, FLA
Boiler 1-C Daily Operations Report
 August 29, 2002

Operational Limits

Oil Heat Input - 380 mmBtu/hr
 Total Heat Input - 1169 mmBtu/hr

SO2 Reduction - 80%

Hour	Oil Flow gallons	Fiber Flow klbs	Coal Flow klbs	Steam Flow klbs	Limestone klbs	Oil Heat Input mmBtu	Total Heat Input mmBtu	Megawatts	SO2 Inlet lb/mmBtu	SO2 Reduction %
00	Down	Down	Down	Down	Down	Down	Down	Down	Inval	100.0
01	Down	Down	Down	Down	Down	Down	Down	Down	Inval	100.0
02	Down	Down	Down	Down	Down	Down	Down	Down	Inval	100.0
03	Down	Down	Down	Down	Down	Down	Down	Down	Inval	100.0
04	Down	Down	Down	Down	Down	Down	Down	Down	Inval	100.0
05	Down	Down	Down	Down	Down	Down	Down	Down	Inval	100.0
06	Down	Down	Down	Down	Down	Down	Down	Down	Inval	100.0
07	Down	Down	Down	Down	Down	Down	Down	Down	Inval	100.0
08	Down	Down	Down	Down	Down	Down	Down	Down	Inval	100.0
09	Down	Down	Down	Down	Down	Down	Down	Down	Inval	100.0
10	Down	Down	Down	Down	Down	Down	Down	Down	Inval	100.0
11	48.0	Down	Down	Down	Down	6.6	6.6	Down	0.052	100.0
12	671.4	Down	Down	Down	Down	92.3	92.3	Down	0.052	100.0
13	997.2	Down	Down	Down	Down	137.1	137.1	Down	0.052	100.0
14	1123.8	Down	Down	Down	Down	154.5	154.5	Down	0.052	100.0
15	960.6	Down	Down	Down	Down	132.1	132.1	Down	0.052	100.0
16	117.8	Down	Down	Down	Down	16.2	16.2	Down	0.052	100.0
17	Down	Down	Down	Down	Down	Down	Down	Down	Inval	100.0
18	Down	Down	Down	Down	Down	Down	Down	Down	Inval	100.0
19	Down	Down	Down	Down	Down	Down	Down	Down	Inval	100.0
20	Down	Down	Down	Down	Down	Down	Down	Down	Inval	100.0
21	Down	Down	Down	Down	Down	Down	Down	Down	Inval	100.0
22	Down	Down	Down	Down	Down	Down	Down	Down	Inval	100.0
23	Down	Down	Down	Down	Down	Down	Down	Down	Inval	100.0
Average	653.1	Down	Down	Down	Down	89.8	89.8	Down	0.052	100
Total	3918.8	Down	Down	Down	Down	538.8	538.8	Down		
30-Day Rig Avg										88

Cedar Bay Generating
 Jacksonville, FLA
Boiler 1-C Daily Operations Report
 August 30, 2002

Operational Limits

Oil Heat Input - 380 mmBtu/hr
 Total Heat Input - 1169 mmBtu/hr

SO2 Reduction - 80%

Hour	Oil Flow gallons	Fiber Flow klbs	Coal Flow klbs	Steam Flow klbs	Limestone klbs	Oil Heat Input mmBtu	Total Heat Input mmBtu	Megawatts	SO2 Inlet lb/mmBtu	SO2 Reduction %
00	Down	Down	Down	Down	Down	Down	Down	Down	Inval	100.0
01	Down	Down	Down	Down	Down	Down	Down	Down	Inval	100.0
02	Down	Down	Down	Down	Down	Down	Down	Down	Inval	100.0
03	198.3	Down	Down	Down	Down	27.3	27.3	Down	0.052	100.0
04	494.1	Down	Down	Down	Down	67.9	67.9	Down	0.052	100.0
05	Down	Down	Down	Down	Down	Down	Down	Down	Inval	100.0
06	858.4	Down	Down	Down	Down	118.0	118.0	Down	0.052	100.0
07	1345.8	Down	Down	Down	Down	185.0	185.0	Down	0.052	100.0
08	1601.4	Down	Down	Down	Down	220.2	220.2	Down	0.052	100.0
09	1682.4	Down	Down	Down	Down	231.3	231.3	Down	0.052	100.0
10	2020.2	Down	Down	171	0.02	277.8	277.8	129.4	0.052	100.0
11	2040.0	Down	Down	236	0.03	280.5	280.5	131.4	0.052	100.0
12	2008.8	Down	3.9	268	0.90	276.2	325.7	148.9	0.242	100.0
13	250.6	Down	49.4	421	5.30	34.5	627.3	194.7	1.735	99.9
14	Down	2.48	66.5	584	6.80	Down	804.2	226.5	1.820	98.7
15	Down	3.00	80.0	716	14.57	Down	967.6	243.7	1.820	85.9
16	Down	2.91	80.3	728	13.74	Down	970.9	246.0	1.820	92.0
17	Down	2.91	82.1	753	15.82	Down	992.5	251.6	1.821	81.7
18	Down	2.81	81.3	745	13.74	Down	982.7	250.8	1.821	92.0
19	Down	2.65	82.9	751	12.55	Down	1001.5	253.0	1.822	87.8
20	Down	2.91	81.6	746	16.40	Down	986.5	249.6	1.820	81.8
21	Down	2.98	78.7	728	14.54	Down	951.9	250.2	1.820	90.4
22	Down	2.80	78.6	720	6.35	Down	950.3	249.8	1.820	96.6
23	Down	2.80	79.2	720	4.00	Down	957.5	250.1	1.820	95.3
Average	1250.0	2.83	70.4	592	8.91	171.9	596.3	220	1.030	96
Total	12500.0	28.3	844.5	8287	124.8	1718.7	11926.6	3077		
30-Day Rlg Avg										88

Cedar Bay Generating
 Jacksonville, FLA
Boiler 1-C Daily Operations Report
 August 31, 2002

Operational Limits

Oil Heat Input - 380 mmBtu/hr
 Total Heat Input - 1169 mmBtu/hr

SO2 Reduction - 80%

Hour	Oil Flow gallons	Fiber Flow klbs	Coal Flow klbs	Steam Flow klbs	Limestone klbs	Oil Heat Input mmBtu	Total Heat Input mmBtu	Megawatts	SO2 Inlet lb/mmBtu	SO2 Reduction %
00	Down	2.81	80.7	729	5.91	Down	985.8	250.8	1.327	87.0
01	Down	2.81	80.8	729	16.10	Down	987.0	250.3	1.327	81.8
02	Down	2.90	80.9	737	14.97	Down	988.5	250.9	1.327	86.2
03	Down	3.00	80.1	735	15.91	Down	979.1	249.8	1.327	86.1
04	Down	2.94	80.0	733	12.82	Down	977.7	249.9	1.327	90.1
05	Down	2.84	80.4	733	4.91	Down	982.2	249.8	1.327	92.1
06	Down	2.84	80.9	733	4.49	Down	988.3	250.1	1.327	85.8
07	Down	2.97	80.7	735	11.40	Down	986.3	250.1	1.327	77.0
08	Down	2.99	80.8	733	16.17	Down	987.6	250.4	1.327	82.7
09	Down	2.88	80.8	727	7.19	Down	987.3	250.2	1.327	95.2
10	Down	2.88	81.6	733	8.02	Down	996.9	250.6	1.327	90.0
11	Down	2.88	83.8	754	13.59	Down	1023.5	255.3	1.328	79.3
12	Down	2.90	84.1	760	15.71	Down	1027.3	256.3	1.328	82.6
13	Down	2.17	83.6	756	15.72	Down	1009.8	256.9	1.822	84.2
14	Down	0.54	83.0	749	15.72	Down	997.6	256.4	1.830	97.2
15	Down	3.00	83.0	750	15.72	Down	1005.1	254.3	1.817	97.7
16	Down	3.00	83.0	751	15.72	Down	1005.1	253.8	1.817	98.1
17	Down	2.98	83.0	758	13.14	Down	1005.1	255.3	1.817	93.1
18	Down	2.97	83.2	764	15.72	Down	1007.4	255.6	1.818	88.7
19	Down	2.96	83.0	762	11.05	Down	1005.0	256.2	1.818	93.6
20	Down	2.99	81.4	745	9.29	Down	985.9	250.7	1.817	94.8
21	Down	2.96	81.2	743	4.08	Down	983.4	250.3	1.817	93.5
22	Down	2.92	82.2	737	9.53	Down	995.3	249.7	1.818	90.3
23	Down	2.91	80.6	704	14.77	Down	976.0	248.2	1.817	83.1
Average	Down	2.79	81.8	741	11.99	Down	994.7	252	1.553	89
Total	Down	67.0	1962.8	17790	287.7	Down	23873.2	6051		
30-Day Rlg Avg										87

Cedar Bay Generating
 Jacksonville, FLA
Boiler 1-C Daily Operations Report
 September 1, 2002

Operational Limits

Oil Heat Input - 380 mmBtu/hr SO2 Reduction - 80%
 Total Heat Input - 1169 mmBtu/hr

Hour	Oil Flow gallons	Fiber Flow klbs	Coal Flow klbs	Steam Flow klbs	Limestone klbs	Oil Heat Input mmBtu	Total Heat Input mmBtu	Megawatts	SO2 Inlet lb/mmBtu	SO2 Reduction %
00	Down	2.91	77.3	670	17.85	Down	945.4	245.1	1.327	86.1
01	Down	2.96	78.2	687	16.51	Down	956.4	245.7	1.327	79.4
02	Down	2.95	76.2	665	16.10	Down	932.1	234.8	1.326	89.6
03	Down	3.00	77.5	681	14.44	Down	948.0	238.0	1.326	80.9
04	Down	3.00	76.5	667	11.06	Down	935.9	218.3	1.326	93.1
05	Down	2.94	76.6	662	4.04	Down	937.0	216.8	1.326	98.2
06	Down	2.96	76.6	661	5.42	Down	937.0	219.4	1.326	89.2
07	Down	1.42	76.6	667	14.82	Down	933.1	222.5	1.331	82.9
08	Down	2.97	76.5	671	10.19	Down	935.8	220.4	1.326	89.5
09	Down	3.00	76.6	675	4.78	Down	937.1	220.8	1.326	88.8
10	Down	2.54	76.6	669	13.79	Down	936.0	217.6	1.328	79.8
11	Down	2.07	76.6	666	11.65	Down	934.8	215.8	1.328	90.3
12	Down	Down	76.6	663	5.27	Down	929.5	216.3	1.335	95.4
13	Down	Down	76.5	661	4.06	Down	928.3	216.9	1.335	90.0
14	Down	0.72	76.6	647	4.00	Down	931.3	202.6	1.332	95.8
15	Down	2.99	70.6	600	4.00	Down	864.3	200.0	1.325	98.7
16	Down	3.00	70.2	604	4.00	Down	859.4	197.0	1.325	99.0
17	Down	3.00	71.9	603	4.00	Down	880.0	199.8	1.325	98.5
18	Down	2.62	77.4	662	4.00	Down	945.9	219.1	1.328	91.1
19	Down	Down	79.4	678	13.53	Down	963.4	233.0	1.335	84.6
20	Down	Down	78.8	676	11.24	Down	956.2	233.6	1.335	89.4
21	Down	Down	78.5	673	15.25	Down	952.5	219.6	1.335	83.1
22	Down	Down	77.7	667	14.47	Down	942.8	222.3	1.335	88.8
23	Down	Down	77.7	671	8.20	Down	942.8	226.8	1.335	91.0
Average	Down	2.65	76.4	660	9.69	Down	931.9	221	1.329	90
Total	Down	45.1	1833.7	15846	232.7	Down	22365.0	5304		
30-Day Rlg Avg										87

Cedar Bay Generating
 Jacksonville, FLA
Boiler 1-C Daily Operations Report
 September 2, 2002

Operational Limits

Oil Heat Input - 380 mmBtu/hr
 Total Heat Input - 1169 mmBtu/hr

SO2 Reduction - 80%

Hour	Oil Flow gallons	Fiber Flow klbs	Coal Flow klbs	Steam Flow klbs	Limestone klbs	Oil Heat Input mmBtu	Total Heat Input mmBtu	Megawatts	SO2 Inlet lb/mmBtu	SO2 Reduction %
00	Down	Down	78.3	672	6.41	Down	966.5	225.5	1.361	86.7
01	Down	0.67	80.9	690	12.34	Down	1000.1	229.2	1.359	86.0
02	Down	2.31	79.4	692	10.64	Down	985.3	236.6	1.355	91.3
03	Down	0.03	80.1	701	4.00	Down	988.9	232.8	1.361	95.2
04	Down	Down	82.4	724	11.65	Down	1017.1	239.2	1.361	86.6
05	Down	Down	82.6	728	8.95	Down	1019.6	240.9	1.361	92.4
06	Down	Down	82.6	726	4.03	Down	1019.6	241.3	1.361	91.4
07	Down	Down	83.2	728	6.13	Down	1027.0	242.6	1.361	82.8
08	Down	Down	85.0	736	16.50	Down	1049.2	243.9	1.361	78.4
09	Down	Down	82.7	729	11.22	Down	1020.8	242.7	1.361	89.1
10	Down	Down	81.1	727	4.00	Down	1001.1	243.1	1.361	96.2
11	Down	Down	81.4	729	4.00	Down	1004.8	243.3	1.361	90.6
12	Down	Down	82.3	732	7.37	Down	1015.9	244.2	1.361	82.3
13	Down	Down	83.1	734	11.42	Down	1025.8	245.9	1.361	85.7
14	Down	Down	83.2	740	8.68	Down	1027.0	247.3	1.361	88.7
15	Down	Down	83.0	742	11.14	Down	1024.6	249.2	1.361	83.7
16	Down	Down	82.9	739	10.38	Down	1023.3	250.0	1.361	87.4
17	Down	Down	83.6	744	11.72	Down	1032.0	254.3	1.361	85.5
18	Down	Down	85.3	762	15.98	Down	1052.9	258.0	1.361	83.5
19	Down	Down	86.0	769	14.43	Down	1061.6	255.9	1.361	83.8
20	Down	Down	83.8	750	12.02	Down	1034.4	249.8	1.361	89.1
21	Down	Down	84.0	746	6.96	Down	1036.9	250.1	1.361	89.5
22	Down	Down	84.4	743	7.80	Down	1041.8	250.1	1.361	82.2
23	Down	Down	84.7	739	13.62	Down	1045.5	250.3	1.361	83.4
Average	Down	1.00	82.8	730	9.64	Down	1021.7	244	1.361	87
Total	Down	3.0	1986.0	17522	231.4	Down	24521.7	5866		
30-Day Rlg Avg										87

Cedar Bay Generating
 Jacksonville, FLA
Boiler 1-C Daily Operations Report
 September 3, 2002

Operational Limits

Oil Heat Input - 380 mmBtu/hr
 Total Heat Input - 1169 mmBtu/hr

SO2 Reduction - 80%

Hour	Oil Flow gallons	Fiber Flow klbs	Coal Flow klbs	Steam Flow klbs	Limestone klbs	Oil Heat Input mmBtu	Total Heat Input mmBtu	Megawatts	SO2 Inlet lb/mmBtu	SO2 Reduction %
00	Down	Down	84.4	749	12.66	Down	1074.2	250.2	1.383	90.3
01	Down	Down	84.1	748	6.81	Down	1070.4	250.1	1.383	89.4
02	Down	Down	84.0	745	8.34	Down	1069.2	250.3	1.383	86.0
03	Down	Down	84.0	746	12.10	Down	1069.2	250.2	1.383	88.1
04	Down	Down	84.0	742	5.88	Down	1069.2	250.6	1.383	92.6
05	Down	Down	84.0	744	4.81	Down	1069.2	249.9	1.383	87.1
06	Down	Down	84.5	742	6.63	Down	1075.5	249.7	1.383	86.1
07	Down	Down	85.7	750	7.36	Down	1090.8	250.4	1.383	85.0
08	Down	Down	85.8	744	12.12	Down	1092.1	250.2	1.383	82.3
09	Down	Down	85.5	747	10.61	Down	1088.2	250.6	1.383	90.8
10	Down	Down	85.5	753	8.55	Down	1088.2	250.5	1.383	85.6
11	Down	Down	86.9	767	13.63	Down	1106.1	254.6	1.383	83.0
12	Down	Down	86.4	771	16.06	Down	1099.7	255.8	1.383	85.4
13	Down	Down	86.4	773	10.17	Down	1099.7	256.1	1.383	90.4
14	Down	Down	86.4	774	8.54	Down	1099.7	255.7	1.383	86.7
15	Down	Down	86.4	766	10.32	Down	1099.7	246.3	1.383	85.3
16	Down	Down	82.3	708	11.53	Down	1047.5	234.8	1.383	82.6
17	Down	Down	77.9	664	16.35	Down	991.5	235.5	1.383	87.1
18	Down	Down	77.8	672	16.34	Down	990.2	237.9	1.383	93.2
19	Down	Down	77.9	675	9.53	Down	991.5	240.0	1.383	97.0
20	Down	Down	77.8	688	4.00	Down	990.2	243.5	1.383	98.5
21	Down	Down	77.8	686	4.00	Down	990.2	237.8	1.383	98.8
22	Down	Down	79.3	693	4.00	Down	1009.3	238.7	1.383	96.5
23	Down	Down	81.3	714	4.00	Down	1034.8	241.6	1.383	91.3
Average	Down	Down	83.2	732	9.35	Down	1058.6	247	1.383	89
Total	Down	Down	1996.1	17561	224.3	Down	25406.3	5934		
30-Day Rlg Avg										88

Cedar Bay Generating
 Jacksonville, FLA
Boiler 1-C Daily Operations Report
 September 4, 2002

Operational Limits

Oil Heat Input - 380 mmBtu/hr
 Total Heat Input - 1169 mmBtu/hr

SO2 Reduction - 80%

Hour	Oil Flow gallons	Fiber Flow klbs	Coal Flow klbs	Steam Flow klbs	Limestone klbs	Oil Heat Input mmBtu	Total Heat Input mmBtu	Megawatts	SO2 Inlet lb/mmBtu	SO2 Reduction %
00	Down	Down	82.0	721	4.83	Down	1036.2	230.7	1.345	82.9
01	Down	Down	82.0	716	12.25	Down	1036.2	233.8	1.345	87.1
02	Down	Down	76.4	677	7.02	Down	965.4	217.4	1.345	93.7
03	Down	Down	71.0	612	4.00	Down	897.2	185.5	1.345	98.4
04	Down	Down	78.7	680	7.08	Down	994.5	213.4	1.345	86.2
05	Down	Down	82.6	721	13.62	Down	1043.7	227.3	1.345	89.1
06	Down	Down	84.0	744	12.02	Down	1061.4	235.7	1.345	87.7
07	Down	Down	84.0	752	16.02	Down	1061.4	241.5	1.345	88.0
08	Down	Down	84.0	756	10.94	Down	1061.4	231.2	1.345	91.3
09	Down	2.46	84.4	757	7.44	Down	1071.5	231.5	1.340	86.2
10	Down	3.00	84.9	754	15.96	Down	1078.9	230.6	1.338	86.8
11	Down	3.00	84.9	757	14.91	Down	1078.9	236.2	1.338	86.4
12	Down	3.00	84.5	761	11.58	Down	1073.8	238.2	1.338	89.5
13	Down	3.00	82.4	750	5.52	Down	1047.3	235.3	1.338	93.4
14	Down	3.00	84.6	763	12.65	Down	1075.1	244.1	1.338	83.1
15	Down	3.00	84.9	771	14.98	Down	1078.9	246.6	1.338	86.7
16	Down	3.00	84.9	775	16.05	Down	1078.9	250.0	1.338	81.8
17	Down	3.00	84.9	773	16.16	Down	1078.9	251.6	1.338	84.8
18	Down	3.00	84.6	778	16.13	Down	1075.1	252.7	1.338	75.3
19	Down	3.00	83.2	770	14.26	Down	1057.4	252.6	1.338	86.8
20	Down	3.00	82.4	764	6.38	Down	1047.3	249.9	1.338	92.8
21	Down	3.00	80.4	747	4.00	Down	1022.0	244.2	1.338	93.1
22	Down	3.00	78.1	719	4.00	Down	993.0	235.3	1.338	92.1
23	Down	3.00	78.1	715	4.00	Down	993.0	234.8	1.338	91.9
Average	Down	2.96	82.2	739	10.49	Down	1042.0	236	1.341	88
Total	Down	44.5	1971.9	17733	251.8	Down	25007.4	5652		
30-Day Rlg Avg										88

Cedar Bay Generating
 Jacksonville, FLA
Boiler 1-C Daily Operations Report
 September 5, 2002

Operational Limits

Oil Heat Input - 380 mmBtu/hr
 Total Heat Input - 1169 mmBtu/hr

SO2 Reduction - 80%

Hour	Oil Flow gallons	Fiber Flow kibs	Coal Flow kibs	Steam Flow kibs	Limestone kibs	Oil Heat Input mmBtu	Total Heat Input mmBtu	Megawatts	SO2 Inlet lb/mmBtu	SO2 Reduction %
00	Down	3.00	78.3	715	4.00	Down	998.0	235.1	1.351	92.3
01	Down	3.00	78.5	710	4.00	Down	1000.5	235.0	1.351	89.3
02	Down	3.00	78.7	712	6.40	Down	1003.1	235.1	1.351	81.2
03	Down	3.00	79.5	716	12.38	Down	1013.2	234.6	1.351	82.8
04	Down	3.00	81.6	737	15.18	Down	1039.7	243.2	1.352	76.3
05	Down	3.00	83.1	757	15.10	Down	1058.7	249.8	1.352	87.2
06	Down	3.00	83.6	762	10.22	Down	1065.0	250.0	1.352	89.0
07	Down	3.00	83.4	760	10.41	Down	1062.5	249.9	1.352	84.3
08	Down	3.00	83.6	761	14.93	Down	1065.0	249.9	1.352	80.3
09	Down	3.00	83.3	710	14.21	Down	1061.2	249.9	1.352	87.8
10	Down	1.63	83.1	757	15.79	Down	1055.1	249.7	1.355	100.0
11	Down	1.26	84.3	574	12.00	Down	1069.3	253.5	1.357	100.0
12	Down	Down	84.0	328	6.85	Down	1062.2	254.3	1.360	100.0
13	Down	Down	84.6	463	9.61	Down	1069.8	253.6	1.360	76.4
14	Down	2.40	84.7	776	15.13	Down	1077.3	255.0	1.353	86.5
15	Down	3.00	84.8	780	11.45	Down	1080.2	256.1	1.352	88.7
16	Down	3.00	84.8	783	10.23	Down	1080.2	257.0	1.352	87.6
17	Down	3.00	84.8	784	9.73	Down	1080.2	257.3	1.352	86.8
18	Down	3.00	84.8	787	6.57	Down	1080.2	257.4	1.352	86.5
19	Down	3.00	84.7	787	4.92	Down	1078.9	257.0	1.352	87.6
20	Down	3.00	82.3	762	4.03	Down	1048.6	250.8	1.352	96.4
21	Down	3.00	78.8	728	4.00	Down	1004.3	240.4	1.351	99.3
22	Down	3.00	78.2	717	4.00	Down	996.7	238.4	1.351	99.2
23	Down	3.00	77.4	714	4.00	Down	986.6	235.6	1.351	98.6
Average	Down	2.83	82.3	712	9.37	Down	1047.4	248	1.353	89
Total	Down	62.3	1974.9	17080	224.9	Down	25136.5	5949		
30-Day Rlg Avg										88

Cedar Bay Generating
 Jacksonville, FLA
Boiler 1-C Daily Operations Report
 September 6, 2002

Operational Limits

Oil Heat Input - 380 mmBtu/hr
 Total Heat Input - 1169 mmBtu/hr

SO2 Reduction - 80%

Hour	Oil Flow gallons	Fiber Flow klbs	Coal Flow klbs	Steam Flow klbs	Limestone klbs	Oil Heat Input mmBtu	Total Heat Input mmBtu	Megawatts	SO2 Inlet lb/mmBtu	SO2 Reduction %
00	Down	3.00	76.0	693	4.00	Down	948.5	230.2	1.253	98.6
01	Down	3.00	76.2	695	4.00	Down	951.0	229.8	1.253	97.3
02	Down	3.00	76.5	690	4.00	Down	954.7	228.1	1.253	95.6
03	Down	3.00	76.9	690	4.00	Down	959.6	229.9	1.253	93.4
04	Down	3.00	74.2	663	4.00	Down	926.4	219.5	1.253	95.2
05	Down	3.00	73.8	660	4.00	Down	921.5	217.9	1.252	94.8
06	Down	3.00	79.5	698	11.78	Down	991.6	234.3	1.254	86.6
07	Down	3.00	80.1	722	16.18	Down	998.9	239.2	1.254	85.2
08	Down	1.54	82.5	739	16.49	Down	1021.6	246.9	1.262	80.3
09	Down	2.70	75.1	680	12.51	Down	936.1	222.7	1.255	99.0
10	Down	3.00	78.4	690	11.92	Down	978.0	228.6	1.254	89.2
11	Down	3.00	82.0	742	17.09	Down	1022.3	250.9	1.254	83.7
12	Down	3.00	82.3	752	17.09	Down	1026.0	253.2	1.254	76.6
13	Down	3.00	81.8	740	17.09	Down	1019.8	251.5	1.254	87.8
14	Down	3.00	82.5	745	16.81	Down	1028.5	251.9	1.254	81.3
15	Down	3.00	82.5	747	14.94	Down	1028.5	252.8	1.254	84.4
16	Down	3.00	83.7	756	11.96	Down	1043.2	253.8	1.255	85.7
17	Down	3.00	83.8	762	12.31	Down	1044.4	254.3	1.255	82.4
18	Down	3.00	83.8	757	16.46	Down	1044.4	252.3	1.255	81.1
19	Down	3.00	83.8	751	16.24	Down	1044.4	251.4	1.255	82.7
20	Down	3.00	82.7	744	13.64	Down	1030.9	249.5	1.255	89.7
21	Down	3.00	78.4	711	4.19	Down	978.0	236.5	1.254	99.7
22	Down	3.00	78.3	713	4.00	Down	976.8	238.0	1.254	99.3
23	Down	3.00	78.4	725	4.00	Down	978.0	238.4	1.254	98.3
Average	Down	2.93	79.7	719	10.78	Down	993.9	240	1.254	89
Total	Down	70.2	1913.2	17265	258.7	Down	23853.1	5763		
30-Day Rlg Avg										88

Cedar Bay Generating
 Jacksonville, FLA
Boiler 1-C Daily Operations Report
 September 7, 2002

Operational Limits

Oil Heat Input - 380 mmBtu/hr
 Total Heat Input - 1169 mmBtu/hr

SO2 Reduction - 80%

Hour	Oil Flow gallons	Fiber Flow klbs	Coal Flow klbs	Steam Flow klbs	Limestone klbs	Oil Heat Input mmBtu	Total Heat Input mmBtu	Megawatts	SO2 Inlet lb/mmBtu	SO2 Reduction %
00	Down	3.00	78.4	720	4.00	Down	1002.5	236.9	1.255	98.9
01	Down	3.00	78.3	725	3.95	Down	1001.3	238.5	1.255	98.2
02	Down	3.00	75.0	690	3.27	Down	959.6	226.5	1.254	99.6
03	Down	3.00	77.7	705	5.31	Down	993.7	233.9	1.254	93.3
04	Down	3.00	82.3	749	13.47	Down	1051.8	250.6	1.255	88.1
05	Down	3.00	81.5	746	5.64	Down	1041.7	250.6	1.255	90.3
06	Down	3.00	80.9	298	1.60	Down	1034.1	250.1	1.255	89.1
07	Down	3.00	81.5	741	4.00	Down	1041.7	249.6	1.255	87.3
08	Down	3.00	81.2	735	8.99	Down	1037.9	249.3	1.255	73.9
09	Down	3.00	81.3	725	13.20	Down	1039.2	250.0	1.255	88.0
10	Down	3.00	82.1	746	11.13	Down	1049.3	251.3	1.255	87.0
11	Down	3.00	83.3	758	13.55	Down	1064.4	255.2	1.255	86.6
12	Down	3.00	83.9	759	15.66	Down	1072.0	254.2	1.256	85.9
13	Down	3.00	84.0	763	15.26	Down	1073.3	254.9	1.256	84.7
14	Down	3.00	84.2	764	16.37	Down	1075.8	255.7	1.256	82.4
15	Down	3.00	83.9	766	15.92	Down	1072.0	255.5	1.256	84.5
16	Down	3.00	84.0	767	9.46	Down	1073.3	255.6	1.256	90.8
17	Down	3.00	84.4	774	4.48	Down	1078.3	257.4	1.256	87.2
18	Down	3.00	84.6	778	4.10	Down	1080.9	258.5	1.256	86.7
19	Down	3.00	84.6	777	4.71	Down	1080.9	257.9	1.256	85.4
20	Down	3.00	79.8	728	4.00	Down	1020.2	242.2	1.255	96.2
21	Down	3.00	78.0	693	4.00	Down	997.5	232.8	1.255	97.6
22	Down	3.00	78.2	694	4.00	Down	1000.0	233.2	1.255	89.3
23	Down	3.00	79.0	707	5.39	Down	1010.1	236.9	1.255	82.6
Average	Down	3.00	81.3	721	7.98	Down	1039.6	248	1.255	89
Total	Down	72.0	1952.1	17308	191.5	Down	24951.5	5940		
30-Day Rig Avg										88

Cedar Bay Generating
 Jacksonville, FLA
Boiler 1-C Daily Operations Report
 September 8, 2002

Operational Limits

Oil Heat Input - 380 mmBtu/hr SO2 Reduction - 80%
 Total Heat Input - 1169 mmBtu/hr

Hour	Oil Flow gallons	Fiber Flow klbs	Coal Flow klbs	Steam Flow klbs	Limestone klbs	Oil Heat Input mmBtu	Total Heat Input mmBtu	Megawatts	SO2 Inlet lb/mmBtu	SO2 Reduction %
00	Down	3.00	79.0	714	6.52	Down	1009.9	237.9	1.256	86.6
01	Down	3.00	79.0	709	5.14	Down	1009.9	237.1	1.256	85.8
02	Down	2.60	79.0	705	8.61	Down	1008.0	237.2	1.257	81.0
03	Down	3.00	79.1	705	9.29	Down	1011.2	234.8	1.256	88.7
04	Down	3.00	79.3	710	7.59	Down	1013.7	238.9	1.256	85.6
05	Down	3.00	80.0	711	8.90	Down	1022.5	240.7	1.256	83.4
06	Down	3.00	82.9	741	11.99	Down	1059.1	250.7	1.255	91.5
07	Down	3.00	82.3	739	4.28	Down	1051.5	250.1	1.255	88.4
08	Down	3.00	83.1	739	6.32	Down	1061.6	249.7	1.255	82.6
09	Down	3.00	84.2	736	12.42	Down	1075.5	249.8	1.256	83.3
10	Down	3.00	85.1	750	15.82	Down	1086.8	251.1	1.256	86.2
11	Down	3.00	86.8	767	15.25	Down	1108.3	257.0	1.256	84.2
12	Down	3.00	85.9	767	13.90	Down	1096.9	256.8	1.256	86.2
13	Down	3.00	86.0	770	9.66	Down	1098.2	257.2	1.256	88.1
14	Down	3.00	86.2	772	9.57	Down	1100.7	257.8	1.256	82.7
15	Down	3.00	86.6	773	12.49	Down	1105.8	257.6	1.256	83.8
16	Down	3.00	87.0	772	13.70	Down	1110.8	257.3	1.256	84.3
17	Down	3.00	87.0	772	15.89	Down	1110.8	257.6	1.256	84.6
18	Down	3.00	87.0	776	13.05	Down	1110.8	257.5	1.256	85.8
19	Down	3.00	86.7	774	16.00	Down	1107.0	258.4	1.256	83.9
20	Down	3.00	82.9	739	7.43	Down	1059.1	247.5	1.255	94.8
21	Down	3.00	81.8	722	4.06	Down	1045.2	244.4	1.255	90.8
22	Down	3.00	81.3	725	8.28	Down	1038.9	241.9	1.255	82.1
23	Down	3.00	79.7	708	7.20	Down	1018.8	241.7	1.256	92.8
Average	Down	2.98	83.2	742	10.13	Down	1063.4	249	1.256	86
Total	Down	71.6	1997.9	17796	243.2	Down	25521.0	5973		
30-Day Rtg Avg										88

Cedar Bay Generating
 Jacksonville, FLA
Boiler 1-C Daily Operations Report
 September 9, 2002

Operational Limits

Oil Heat Input - 380 mmBtu/hr
 Total Heat Input - 1169 mmBtu/hr

SO2 Reduction - 80%

Hour	Oil Flow gallons	Fiber Flow klbs	Coal Flow klbs	Steam Flow klbs	Limestone klbs	Oil Heat Input mmBtu	Total Heat Input mmBtu	Megawatts	SO2 Inlet lb/mmBtu	SO2 Reduction %
00	Down	3.00	81.8	725	7.39	Down	1021.0	242.7	1.332	83.5
01	Down	3.00	81.8	723	9.52	Down	1021.0	242.7	1.332	85.7
02	Down	3.00	81.8	726	10.29	Down	1021.0	242.4	1.332	83.3
03	Down	3.00	81.9	728	12.80	Down	1022.2	242.5	1.332	89.7
04	Down	3.00	83.9	748	12.69	Down	1046.9	250.3	1.332	83.0
05	Down	3.00	83.7	637	13.54	Down	1044.4	250.0	1.332	84.3
06	Down	3.00	83.2	677	12.56	Down	1038.2	250.9	1.332	85.4
07	Down	3.00	83.1	751	14.38	Down	1037.0	250.5	1.332	85.4
08	Down	3.00	83.0	752	13.86	Down	1035.8	249.7	1.332	88.0
09	Down	3.00	82.8	750	7.22	Down	1033.3	249.9	1.332	91.1
10	Down	3.00	83.2	747	7.60	Down	1038.2	249.8	1.332	87.4
11	Down	3.00	85.5	778	16.49	Down	1066.6	257.3	1.333	75.0
12	Down	3.00	85.0	774	15.78	Down	1060.4	256.7	1.333	86.4
13	Down	3.00	85.0	779	16.12	Down	1060.4	257.6	1.333	82.9
14	Down	3.00	84.7	776	14.08	Down	1056.7	257.6	1.332	89.3
15	Down	3.00	84.8	776	6.24	Down	1058.0	257.2	1.332	90.5
16	Down	3.00	85.0	778	4.27	Down	1060.4	257.3	1.333	86.9
17	Down	3.00	85.0	776	8.51	Down	1060.4	258.1	1.333	82.4
18	Down	3.00	85.0	774	13.74	Down	1060.4	257.4	1.333	81.5
19	Down	3.00	84.2	773	12.37	Down	1050.6	257.4	1.332	86.6
20	Down	3.00	79.8	726	4.01	Down	996.3	244.0	1.332	97.1
21	Down	3.00	79.9	723	4.00	Down	997.5	242.5	1.332	92.4
22	Down	3.00	79.9	714	4.00	Down	997.5	241.9	1.332	92.3
23	Down	3.00	80.6	724	12.14	Down	1006.2	244.6	1.332	87.4
Average	Down	3.00	83.1	743	10.57	Down	1037.1	251	1.332	87
Total	Down	72.0	1994.6	17835	253.6	Down	24890.4	6013		
30-Day Rig Avg										88

Cedar Bay Generating
 Jacksonville, FLA
Boiler 1-C Daily Operations Report
 September 10, 2002

Operational Limits

Oil Heat Input - 380 mmBtu/hr
 Total Heat Input - 1169 mmBtu/hr

SO2 Reduction - 80%

Hour	Oil Flow gallons	Fiber Flow klbs	Coal Flow klbs	Steam Flow klbs	Limestone klbs	Oil Heat Input mmBtu	Total Heat Input mmBtu	Megawatts	SO2 Inlet lb/mmBtu	SO2 Reduction %
00	Down	3.00	81.4	737	9.75	Down	1039.1	247.9	1.287	85.6
01	Down	3.00	81.7	747	12.38	Down	1042.9	250.3	1.287	85.5
02	Down	3.00	81.2	742	7.91	Down	1036.6	249.9	1.287	88.9
03	Down	3.00	80.9	743	10.99	Down	1032.8	250.2	1.287	82.8
04	Down	3.00	80.9	741	9.04	Down	1032.8	249.9	1.287	93.1
05	Down	3.00	80.1	737	4.52	Down	1022.7	250.4	1.287	88.1
06	Down	3.00	80.2	734	6.62	Down	1024.0	249.8	1.287	85.5
07	Down	3.00	80.6	733	4.60	Down	1029.0	250.5	1.287	86.6
08	Down	0.09	80.9	728	11.99	Down	1021.9	250.1	1.299	82.4
09	Down	0.45	81.0	734	10.91	Down	1024.6	250.0	1.297	90.2
10	Down	1.47	70.1	622	9.22	Down	890.8	238.1	1.292	93.7
11	Down	3.00	83.2	753	15.73	Down	1061.9	255.2	1.287	78.9
12	Down	3.00	83.0	769	15.74	Down	1059.3	258.3	1.287	81.0
13	Down	3.00	83.0	769	15.73	Down	1059.3	257.5	1.287	91.4
14	Down	3.00	83.0	771	15.73	Down	1059.3	258.1	1.287	89.4
15	Down	3.00	83.0	772	15.73	Down	1059.3	257.7	1.287	92.5
16	Down	3.00	83.0	772	15.74	Down	1059.3	258.3	1.287	94.8
17	Down	3.00	83.0	777	10.20	Down	1059.3	258.6	1.287	95.7
18	Down	3.00	82.6	779	4.00	Down	1054.3	258.7	1.287	93.4
19	Down	3.00	82.0	770	4.07	Down	1046.7	258.1	1.287	87.5
20	Down	3.00	79.9	745	4.00	Down	1020.2	250.9	1.287	90.1
21	Down	3.00	79.8	741	7.51	Down	1018.9	249.7	1.287	85.5
22	Down	3.00	80.7	742	6.53	Down	1030.3	250.4	1.287	89.7
23	Down	3.00	80.7	748	8.88	Down	1030.3	250.3	1.287	81.7
Average	Down	2.71	81.1	746	9.90	Down	1034.0	252	1.288	88
Total	Down	65.0	1945.9	17906	237.5	Down	24815.6	6052		
30-Day Rlg Avg										88

Cedar Bay Generating
 Jacksonville, FLA
Boiler 1-C Daily Operations Report
 September 11, 2002

Operational Limits

Oil Heat Input - 380 mmBtu/hr SO2 Reduction - 80%
 Total Heat Input - 1169 mmBtu/hr

Hour	Oil Flow gallons	Fiber Flow klbs	Coal Flow klbs	Steam Flow klbs	Limestone klbs	Oil Heat Input mmBtu	Total Heat Input mmBtu	Megawatts	SO2 Inlet lb/mmBtu	SO2 Reduction %
00	Down	3.00	80.1	734	12.49	Down	1055.3	247.7	1.339	90.0
01	Down	3.00	78.9	729	6.76	Down	1039.7	246.3	1.339	88.3
02	Down	3.00	79.0	729	7.62	Down	1041.0	245.2	1.339	85.7
03	Down	3.00	79.4	729	8.42	Down	1046.2	247.0	1.339	83.5
04	Down	3.00	79.0	727	13.39	Down	1041.0	248.4	1.339	88.9
05	Down	3.00	75.5	700	5.31	Down	995.7	252.1	1.339	96.1
06	Down	3.00	73.2	680	4.00	Down	965.9	251.1	1.338	96.4
07	Down	3.00	74.1	686	4.00	Down	977.6	250.6	1.339	93.6
08	Down	3.00	73.3	676	4.00	Down	967.2	250.7	1.338	90.9
09	Down	3.00	73.9	678	4.90	Down	975.0	250.3	1.338	83.9
10	Down	3.00	74.4	679	9.81	Down	981.5	250.5	1.339	82.7
11	Down	3.00	74.6	691	15.96	Down	984.0	258.0	1.339	88.9
12	Down	3.00	74.1	695	13.54	Down	977.6	258.1	1.339	93.8
13	Down	3.00	74.6	692	4.85	Down	984.0	258.2	1.339	94.1
14	Down	3.00	74.9	691	4.00	Down	987.9	257.9	1.339	89.4
15	Down	3.00	74.9	690	5.17	Down	987.9	258.2	1.339	83.7
16	Down	3.00	74.5	695	12.90	Down	982.7	258.0	1.339	82.5
17	Down	2.98	76.1	708	10.88	Down	1003.4	257.0	1.339	88.9
18	Down	2.76	79.2	735	13.67	Down	1042.2	257.5	1.341	88.1
19	Down	3.00	79.3	735	8.06	Down	1044.9	256.3	1.339	89.5
20	Down	3.00	80.6	743	9.53	Down	1061.8	251.2	1.339	84.4
21	Down	3.00	79.8	731	8.23	Down	1051.4	250.6	1.339	86.3
22	Down	3.00	80.5	736	11.39	Down	1060.5	250.3	1.339	83.9
23	Down	3.00	72.5	665	6.59	Down	956.8	223.4	1.338	94.2
Average	Down	2.99	76.5	706	8.56	Down	1008.8	251	1.339	89
Total	Down	71.7	1836.4	16954	205.5	Down	24211.2	6034		
30-Day Rlg Avg										88

Cedar Bay Generating
 Jacksonville, FLA
Boiler 1-C Daily Operations Report
 September 12, 2002

Operational Limits

Oil Heat Input - 380 mmBtu/hr
 Total Heat Input - 1169 mmBtu/hr

SO2 Reduction - 80%

Hour	Oil Flow gallons	Fiber Flow klbs	Coal Flow klbs	Steam Flow klbs	Limestone klbs	Oil Heat Input mmBtu	Total Heat Input mmBtu	Megawatts	SO2 Inlet lb/mmBtu	SO2 Reduction %
00	Down	1.64	49.5	453	4.00	Down	630.5	127.5	1,542	99.7
01	Down	Down	44.7	380	4.00	Down	560.3	89.6	1,564	100.0
02	Down	Down	45.0	384	4.00	Down	564.0	91.2	1,564	100.0
03	Down	1.65	45.3	386	4.00	Down	577.9	92.3	1,540	100.0
04	Down	3.00	45.2	392	4.00	Down	585.0	91.7	1,521	100.0
05	Down	3.00	50.3	422	5.34	Down	649.0	108.0	1,525	100.0
06	Down	3.00	75.1	655	8.29	Down	959.8	220.7	1,538	89.6
07	Down	3.00	81.3	734	15.29	Down	1037.5	249.6	1,539	89.2
08	Down	3.00	81.7	741	14.83	Down	1042.5	250.4	1,539	91.5
09	Down	3.00	81.2	747	12.10	Down	1036.3	250.5	1,539	89.3
10	Down	3.00	80.8	745	9.37	Down	1031.2	250.7	1,539	88.9
11	Down	3.00	83.0	757	16.11	Down	1058.8	256.5	1,540	87.7
12	Down	3.00	83.0	758	13.79	Down	1058.8	255.8	1,540	92.9
13	Down	3.00	83.1	769	14.22	Down	1060.1	256.6	1,540	82.3
14	Down	3.00	83.1	773	16.48	Down	1060.1	256.6	1,540	85.6
15	Down	3.00	83.7	774	13.17	Down	1067.6	257.8	1,540	91.6
16	Down	3.00	83.8	774	5.61	Down	1068.8	258.0	1,540	91.6
17	Down	3.00	83.8	769	9.10	Down	1068.8	258.2	1,540	85.8
18	Down	3.00	83.9	772	16.50	Down	1070.1	258.4	1,540	83.5
19	Down	3.00	83.6	770	13.90	Down	1066.3	258.0	1,540	90.0
20	Down	3.00	81.0	742	5.45	Down	1033.8	250.7	1,539	92.2
21	Down	3.00	81.0	739	8.47	Down	1033.8	250.3	1,539	86.8
22	Down	3.00	80.8	741	15.84	Down	1031.2	250.3	1,539	85.7
23	Down	3.00	80.8	743	11.56	Down	1031.2	250.1	1,539	90.7
Average	Down	2.88	73.1	663	10.23	Down	932.6	214	1,540	91
Total	Down	63.3	1754.7	15920	245.4	Down	22383.4	5142		
30-Day Rlg Avg										88

Cedar Bay Generating
 Jacksonville, FLA
Boiler 1-C Daily Operations Report
 September 13, 2002

Operational Limits

Oil Heat Input - 380 mmBtu/hr
 Total Heat Input - 1169 mmBtu/hr

SO2 Reduction - 80%

Hour	Oil Flow gallons	Fiber Flow klbs	Coal Flow klbs	Steam Flow klbs	Limestone klbs	Oil Heat Input mmBtu	Total Heat Input mmBtu	Megawatts	SO2 Inlet lb/mmBtu	SO2 Reduction %
00	Down	3.00	79.7	738	8.27	Down	1023.0	247.3	1.344	88.1
01	Down	3.00	79.6	734	8.23	Down	1021.7	246.9	1.344	84.7
02	Down	3.00	79.7	725	9.76	Down	1023.0	246.7	1.344	85.3
03	Down	3.00	79.8	733	10.54	Down	1024.2	247.4	1.344	87.1
04	Down	3.00	79.7	729	7.97	Down	1023.0	247.4	1.344	89.4
05	Down	3.00	80.5	734	5.11	Down	1033.2	250.8	1.343	86.0
06	Down	3.00	80.2	731	8.05	Down	1029.3	250.2	1.343	84.3
07	Down	2.09	80.5	735	8.05	Down	1031.0	250.1	1.345	79.1
08	Down	0.36	80.9	731	8.18	Down	1031.6	250.3	1.349	87.5
09	Down	3.00	81.1	737	14.97	Down	1040.8	250.3	1.343	81.6
10	Down	3.00	81.3	744	13.02	Down	1043.3	251.2	1.343	89.1
11	Down	3.00	83.5	764	14.18	Down	1071.4	256.7	1.344	86.8
12	Down	3.00	82.4	765	15.83	Down	1057.4	257.9	1.343	85.3
13	Down	3.00	83.0	768	12.10	Down	1065.0	258.4	1.343	87.7
14	Down	3.00	83.0	773	11.72	Down	1065.0	258.5	1.343	85.8
15	Down	3.00	83.2	769	8.85	Down	1067.6	257.7	1.344	90.3
16	Down	3.00	83.0	770	4.72	Down	1065.0	258.3	1.343	86.8
17	Down	3.00	82.6	766	14.38	Down	1059.9	258.3	1.343	77.9
18	Down	3.00	82.5	765	12.42	Down	1058.6	257.5	1.343	85.4
19	Down	3.00	82.9	769	8.24	Down	1063.7	258.2	1.343	88.8
20	Down	3.00	80.7	740	4.34	Down	1035.7	251.0	1.343	87.6
21	Down	3.00	80.6	736	5.81	Down	1034.4	249.9	1.343	84.4
22	Down	3.00	80.9	738	11.61	Down	1038.2	250.0	1.343	82.9
23	Down	3.00	81.0	734	10.56	Down	1039.5	249.9	1.343	82.4
Average	Down	2.85	81.3	747	9.87	Down	1043.6	253	1.344	86
Total	Down	68.5	1952.3	17928	236.9	Down	25045.5	6060		
30-Day Rlg Avg										88

Cedar Bay Generating
 Jacksonville, FLA
Boiler 1-C Daily Operations Report
 September 14, 2002

Operational Limits

Oil Heat Input - 380 mmBtu/hr
 Total Heat Input - 1169 mmBtu/hr

SO2 Reduction - 80%

Hour	Oil Flow gallons	Fiber Flow klbs	Coal Flow klbs	Steam Flow klbs	Limestone klbs	Oil Heat Input mmBtu	Total Heat Input mmBtu	Megawatts	SO2 Inlet lb/mmBtu	SO2 Reduction %
00	Down	3.00	81.0	741	14.94	Down	1025.3	250.2	1.363	87.5
01	Down	3.00	81.0	740	6.20	Down	1025.3	251.3	1.363	92.1
02	Down	3.00	81.0	741	4.55	Down	1025.3	251.0	1.363	87.5
03	Down	3.00	81.0	740	10.70	Down	1025.3	249.7	1.363	80.5
04	Down	3.00	81.0	734	11.41	Down	1025.3	250.5	1.363	90.5
05	Down	3.00	80.5	733	6.35	Down	1019.1	250.1	1.363	85.7
06	Down	3.00	81.4	738	10.70	Down	1030.4	250.5	1.362	84.9
07	Down	3.00	81.5	736	10.24	Down	1031.6	250.3	1.362	85.9
08	Down	3.00	81.9	739	11.96	Down	1036.7	250.8	1.362	85.7
09	Down	3.00	81.9	740	13.20	Down	1036.7	250.4	1.362	83.5
10	Down	3.00	82.0	746	16.49	Down	1037.9	250.5	1.362	83.3
11	Down	3.00	83.1	756	15.94	Down	1051.7	254.9	1.362	84.7
12	Down	3.00	84.0	771	9.00	Down	1063.0	257.0	1.362	86.5
13	Down	3.00	83.8	769	11.87	Down	1060.5	257.6	1.362	82.4
14	Down	3.00	83.0	764	15.00	Down	1050.5	256.9	1.362	83.0
15	Down	3.00	82.7	761	15.19	Down	1046.7	256.9	1.362	85.0
16	Down	3.00	83.0	763	13.67	Down	1050.5	256.9	1.362	86.6
17	Down	3.00	83.0	762	8.81	Down	1050.5	258.0	1.362	90.2
18	Down	3.00	82.7	765	12.68	Down	1046.7	258.6	1.362	80.3
19	Down	3.00	82.0	756	14.26	Down	1037.9	257.5	1.362	88.3
20	Down	3.00	80.4	742	13.32	Down	1017.8	250.6	1.363	89.6
21	Down	3.00	80.0	739	9.27	Down	1012.8	250.1	1.363	88.7
22	Down	3.00	80.0	738	5.21	Down	1012.8	250.4	1.363	90.2
23	Down	3.00	80.0	734	4.24	Down	1012.8	250.6	1.363	87.5
Average	Down	3.00	81.7	748	11.05	Down	1034.7	253	1.362	86
Total	Down	72.0	1961.9	17948	265.2	Down	24833.1	6074		
30-Day Rig Avg										88

Cedar Bay Generating
 Jacksonville, FLA
Boiler 1-C Daily Operations Report
 September 15, 2002

Operational Limits

Oil Heat Input - 380 mmBtu/hr SO2 Reduction - 80%
 Total Heat Input - 1169 mmBtu/hr

Hour	Oil Flow gallons	Fiber Flow klbs	Coal Flow klbs	Steam Flow klbs	Limestone klbs	Oil Heat Input mmBtu	Total Heat Input mmBtu	Megawatts	SO2 Inlet lb/mmBtu	SO2 Reduction %
00	Down	3.00	80.1	729	5.20	Down	1013.6	250.0	1.284	84.0
01	Down	3.00	80.5	733	14.38	Down	1018.6	249.6	1.285	77.0
02	Down	3.00	80.1	731	14.21	Down	1013.6	250.3	1.284	89.2
03	Down	3.00	80.3	733	11.66	Down	1016.1	250.1	1.284	92.4
04	Down	3.00	80.4	735	5.19	Down	1017.3	250.4	1.284	88.8
05	Down	3.00	80.2	731	4.75	Down	1014.8	250.5	1.284	84.0
06	Down	3.00	80.1	731	10.77	Down	1013.6	250.9	1.284	78.9
07	Down	3.00	80.0	725	11.86	Down	1012.3	250.4	1.284	89.5
08	Down	3.00	79.8	729	9.37	Down	1009.8	250.6	1.284	82.7
09	Down	3.00	79.1	732	16.06	Down	1001.0	250.4	1.284	80.7
10	Down	3.00	79.7	733	13.81	Down	1008.5	251.3	1.284	88.6
11	Down	3.00	82.5	752	13.78	Down	1043.7	256.8	1.284	82.9
12	Down	3.00	83.0	761	14.37	Down	1050.0	257.3	1.284	84.3
13	Down	3.00	83.0	768	16.50	Down	1050.0	258.7	1.284	77.1
14	Down	3.00	82.6	760	13.31	Down	1045.0	258.6	1.284	88.9
15	Down	3.00	82.5	760	8.20	Down	1043.7	257.9	1.284	87.5
16	Down	3.00	83.0	760	10.85	Down	1050.0	258.9	1.284	81.4
17	Down	3.00	83.0	759	12.71	Down	1050.0	258.7	1.284	84.6
18	Down	3.00	82.3	762	15.59	Down	1041.2	258.1	1.284	83.4
19	Down	3.00	82.7	762	9.70	Down	1046.2	257.6	1.284	88.3
20	Down	3.00	79.8	729	4.38	Down	1009.8	246.4	1.284	93.2
21	Down	3.00	79.9	727	4.09	Down	1011.0	245.5	1.284	88.2
22	Down	3.00	80.2	723	4.51	Down	1014.8	246.1	1.284	84.7
23	Down	3.00	80.3	722	9.32	Down	1016.1	246.3	1.284	78.5
Average	Down	3.00	81.0	741	10.61	Down	1025.4	253	1.284	85
Total	Down	72.0	1945.1	17787	254.6	Down	24610.7	6062		
30-Day Rlg Avg										88

Cedar Bay Generating
 Jacksonville, FLA
Boiler 1-C Daily Operations Report
 September 16, 2002

Operational Limits

Oil Heat Input - 380 mmBtu/hr SO2 Reduction - 80%
 Total Heat Input - 1169 mmBtu/hr

Hour	Oil Flow gallons	Fiber Flow klbs	Coal Flow klbs	Steam Flow klbs	Limestone klbs	Oil Heat Input mmBtu	Total Heat Input mmBtu	Megawatts	SO2 Inlet lb/mmBtu	SO2 Reduction %
00	Down	3.00	80.2	722	12.51	Down	1014.8	245.9	1.284	89.1
01	Down	3.00	81.0	735	9.30	Down	1024.9	249.7	1.285	86.1
02	Down	3.00	81.2	738	13.40	Down	1027.4	248.5	1.285	84.4
03	Down	3.00	81.9	740	15.47	Down	1036.2	249.5	1.284	88.1
04	Down	3.00	81.6	739	9.02	Down	1032.4	250.7	1.284	91.0
05	Down	3.00	81.2	734	4.12	Down	1027.4	250.6	1.285	88.1
06	Down	3.00	81.5	729	9.50	Down	1031.1	250.3	1.284	85.8
07	Down	3.00	82.1	732	12.23	Down	1038.7	250.7	1.284	84.0
08	Down	3.00	82.4	735	14.06	Down	1042.4	250.8	1.284	85.7
09	Down	3.00	82.1	740	13.68	Down	1038.7	250.9	1.284	83.6
10	Down	3.00	82.2	741	9.50	Down	1039.9	250.9	1.284	81.7
11	Down	3.00	83.6	749	16.50	Down	1057.5	254.8	1.284	79.1
12	Down	3.00	84.2	753	16.38	Down	1065.1	255.9	1.284	82.7
13	Down	3.00	84.0	756	15.89	Down	1062.5	255.7	1.284	86.1
14	Down	3.00	84.0	762	10.80	Down	1062.5	257.0	1.284	83.6
15	Down	3.00	83.5	758	14.64	Down	1056.3	256.8	1.284	82.1
16	Down	3.00	82.8	755	14.79	Down	1047.5	256.5	1.284	78.3
17	Down	3.00	82.9	756	16.34	Down	1048.7	256.7	1.284	83.1
18	Down	3.00	83.1	763	16.47	Down	1051.2	257.4	1.284	75.5
19	Down	3.00	82.9	758	16.03	Down	1048.7	256.4	1.284	84.4
20	Down	3.00	78.5	717	10.78	Down	993.5	239.5	1.284	90.9
21	Down	3.00	77.2	704	4.83	Down	977.1	234.7	1.284	90.0
22	Down	3.00	77.1	699	8.14	Down	975.9	234.0	1.284	80.5
23	Down	3.00	77.1	696	9.38	Down	975.9	233.9	1.284	85.6
Average	Down	3.00	81.6	738	12.24	Down	1032.3	250	1.284	85
Total	Down	72.0	1958.3	17711	293.8	Down	24776.3	6002		
30-Day Rlg Avg										88

Cedar Bay Generating
 Jacksonville, FLA
Boiler 1-C Daily Operations Report
 September 17, 2002

Operational Limits

Oil Heat Input - 380 mmBtu/hr
 Total Heat Input - 1169 mmBtu/hr

SO2 Reduction - 80%

Hour	Oil Flow gallons	Fiber Flow klbs	Coal Flow klbs	Steam Flow klbs	Limestone klbs	Oil Heat Input mmBtu	Total Heat Input mmBtu	Megawatts	SO2 Inlet lb/mmBtu	SO2 Reduction %
00	Down	3.00	77.1	700	9.99	Down	998.1	234.2	1.331	86.9
01	Down	3.00	77.1	697	5.55	Down	998.1	233.3	1.331	90.3
02	Down	3.00	77.1	694	4.33	Down	998.1	233.0	1.331	85.9
03	Down	3.00	77.1	689	5.45	Down	998.1	232.8	1.331	84.5
04	Down	3.00	81.2	721	14.50	Down	1050.7	246.4	1.332	75.0
05	Down	3.00	80.3	727	16.05	Down	1039.1	249.6	1.332	82.7
06	Down	3.00	80.1	727	12.62	Down	1036.6	249.7	1.332	88.5
07	Down	3.00	80.5	728	7.98	Down	1041.7	249.8	1.332	89.6
08	Down	3.00	81.5	733	9.56	Down	1054.5	250.6	1.332	82.5
09	Down	3.00	81.2	732	13.37	Down	1050.7	250.5	1.332	83.7
10	Down	3.00	81.3	736	16.48	Down	1052.0	250.4	1.332	80.0
11	Down	3.00	80.9	742	15.40	Down	1046.8	253.4	1.332	86.3
12	Down	3.00	81.9	750	13.87	Down	1059.7	253.8	1.332	86.8
13	Down	3.00	83.0	757	14.88	Down	1073.8	255.5	1.332	84.4
14	Down	3.00	83.0	760	16.21	Down	1073.8	255.6	1.332	85.4
15	Down	3.00	82.3	761	14.96	Down	1064.8	255.4	1.332	81.4
16	Down	3.00	81.8	756	14.01	Down	1058.4	254.9	1.332	88.0
17	Down	3.00	82.2	762	6.97	Down	1063.5	256.4	1.332	90.0
18	Down	3.00	82.9	765	7.83	Down	1072.5	258.3	1.332	83.9
19	Down	3.00	82.9	761	11.40	Down	1072.5	257.7	1.332	84.8
20	Down	3.00	78.8	730	4.96	Down	1019.9	241.5	1.331	92.0
21	Down	3.00	77.3	702	4.00	Down	1000.6	235.9	1.331	91.3
22	Down	3.00	77.0	696	4.14	Down	996.8	235.4	1.331	86.9
23	Down	3.00	77.1	695	4.90	Down	998.1	234.7	1.331	85.8
Average	Down	3.00	80.2	730	10.39	Down	1038.3	247	1.332	86
Total	Down	72.0	1925.6	17521	249.4	Down	24918.9	5930		
30-Day Rig Avg										88

Cedar Bay Generating
 Jacksonville, FLA
Boiler 1-C Daily Operations Report
 September 18, 2002

Operational Limits

Oil Heat Input - 380 mmBtu/hr SO2 Reduction - 80%
 Total Heat Input - 1169 mmBtu/hr

Hour	Oil Flow gallons	Fiber Flow klbs	Coal Flow klbs	Steam Flow klbs	Limestone klbs	Oil Heat Input mmBtu	Total Heat Input mmBtu	Megawatts	SO2 Inlet lb/mmBtu	SO2 Reduction %
00	Down	3.00	81.3	729	13.44	Down	1037.3	247.1	1,240	83.7
01	Down	3.00	81.7	744	12.30	Down	1042.4	250.6	1,240	86.4
02	Down	3.00	81.9	748	12.82	Down	1044.9	249.8	1,240	84.6
03	Down	3.00	82.0	750	10.99	Down	1046.2	250.5	1,240	89.2
04	Down	3.00	81.9	746	8.70	Down	1044.9	250.7	1,240	85.2
05	Down	3.00	82.0	749	8.43	Down	1046.2	250.5	1,240	84.9
06	Down	3.00	82.3	754	11.19	Down	1050.0	249.9	1,240	81.9
07	Down	3.00	82.4	756	16.19	Down	1051.3	249.1	1,240	80.2
08	Down	3.00	81.2	741	14.98	Down	1036.0	246.5	1,240	85.8
09	Down	3.00	81.9	751	10.72	Down	1044.9	250.6	1,240	89.2
10	Down	3.00	82.4	751	11.83	Down	1051.3	250.5	1,240	82.7
11	Down	3.00	83.9	771	16.46	Down	1070.3	258.0	1,240	82.2
12	Down	3.00	83.9	772	16.30	Down	1070.3	257.8	1,240	83.8
13	Down	3.00	83.8	773	16.17	Down	1069.0	256.8	1,240	84.0
14	Down	3.00	83.4	773	15.13	Down	1063.9	257.4	1,240	85.6
15	Down	3.00	83.1	774	12.89	Down	1060.1	258.0	1,240	86.9
16	Down	3.00	83.1	770	13.80	Down	1060.1	257.7	1,240	85.4
17	Down	3.00	83.2	768	12.65	Down	1061.4	257.4	1,240	87.8
18	Down	3.00	83.2	767	5.40	Down	1061.4	258.2	1,240	90.6
19	Down	3.00	83.0	764	8.97	Down	1058.9	258.2	1,240	78.7
20	Down	3.00	81.7	745	10.65	Down	1042.4	249.7	1,240	88.0
21	Down	3.00	81.2	735	8.47	Down	1036.0	250.3	1,240	85.9
22	Down	3.00	81.8	733	11.30	Down	1043.6	250.1	1,240	88.8
23	Down	3.00	82.1	741	11.19	Down	1047.4	250.5	1,240	82.2
Average	Down	3.00	82.4	754	12.12	Down	1051.7	253	1,240	85
Total	Down	72.0	1978.4	18105	291.0	Down	25240.2	6069		
30-Day Rlg Avg										88

Cedar Bay Generating
 Jacksonville, FLA
Boiler 1-C Daily Operations Report
 September 19, 2002

Operational Limits

Oil Heat Input - 380 mmBtu/hr
 Total Heat Input - 1169 mmBtu/hr

SO2 Reduction - 80%

Hour	Oil Flow gallons	Fiber Flow klbs	Coal Flow klbs	Steam Flow klbs	Limestone klbs	Oil Heat Input mmBtu	Total Heat Input mmBtu	Megawatts	SO2 Inlet lb/mmBtu	SO2 Reduction %
00	Down	3.00	82.0	738	10.67	Down	1076.3	250.5	1.283	87.7
01	Down	3.00	82.3	743	14.02	Down	1080.2	249.9	1.283	81.4
02	Down	3.00	83.0	745	13.33	Down	1089.3	250.3	1.283	88.5
03	Down	3.00	82.3	749	12.09	Down	1080.2	250.8	1.283	80.2
04	Down	3.00	82.0	743	15.92	Down	1076.3	250.3	1.283	84.6
05	Down	3.00	82.0	743	10.93	Down	1076.3	250.6	1.283	91.3
06	Down	3.00	81.9	745	6.15	Down	1075.0	251.2	1.283	87.0
07	Down	3.00	82.2	744	15.03	Down	1078.9	251.2	1.283	83.2
08	Down	3.00	81.7	744	13.24	Down	1072.4	251.6	1.283	87.5
09	Down	3.00	81.3	739	11.48	Down	1067.3	249.9	1.283	86.8
10	Down	3.00	82.3	742	12.58	Down	1080.2	249.9	1.283	88.1
11	Down	3.00	85.3	766	15.84	Down	1119.2	257.7	1.283	85.0
12	Down	3.00	85.6	769	16.42	Down	1123.1	257.6	1.283	81.4
13	Down	3.00	86.0	775	16.50	Down	1128.3	259.1	1.283	81.7
14	Down	3.00	85.4	774	15.36	Down	1120.5	258.1	1.283	86.4
15	Down	3.00	85.0	774	16.47	Down	1115.3	257.4	1.283	77.5
16	Down	3.00	85.0	772	16.30	Down	1115.3	257.1	1.283	83.0
17	Down	3.00	85.0	773	13.07	Down	1115.3	257.0	1.283	84.6
18	Down	3.00	84.4	771	14.14	Down	1107.5	257.3	1.283	80.0
19	Down	3.00	83.8	766	15.81	Down	1099.7	257.2	1.283	82.9
20	Down	3.00	82.0	744	12.77	Down	1076.3	250.4	1.283	89.1
21	Down	3.00	81.1	731	5.55	Down	1064.7	250.3	1.283	92.0
22	Down	3.00	81.7	730	6.62	Down	1072.4	250.2	1.283	82.2
23	Down	3.00	81.5	728	10.46	Down	1069.9	250.6	1.283	84.1
Average	Down	3.00	83.1	752	12.95	Down	1090.8	253	1.283	85
Total	Down	72.0	1994.8	18048	310.8	Down	26179.9	6076		
30-Day Rlg Avg										88

Cedar Bay Generating
 Jacksonville, FLA
Boiler 1-C Daily Operations Report
 September 20, 2002

Operational Limits

Oil Heat Input - 380 mmBtu/hr
 Total Heat Input - 1169 mmBtu/hr

SO2 Reduction - 80%

Hour	Oil Flow gallons	Fiber Flow klbs	Coal Flow klbs	Steam Flow klbs	Limestone klbs	Oil Heat Input mmBtu	Total Heat Input mmBtu	Megawatts	SO2 Inlet lb/mmBtu	SO2 Reduction %
00	Down	3.00	81.0	724	12.52	Down	1005.3	250.7	1.192	83.6
01	Down	3.00	81.4	726	12.01	Down	1010.2	250.2	1.192	82.8
02	Down	3.00	81.5	734	14.80	Down	1011.4	250.2	1.192	84.7
03	Down	3.00	81.7	735	13.89	Down	1013.9	249.8	1.192	82.0
04	Down	3.00	81.9	734	15.07	Down	1016.3	250.1	1.192	85.2
05	Down	3.00	81.9	739	9.37	Down	1016.3	250.8	1.192	86.4
06	Down	3.00	82.0	741	11.97	Down	1017.6	250.3	1.192	82.0
07	Down	3.00	82.0	735	8.24	Down	1017.6	251.0	1.192	89.6
08	Down	3.00	81.8	733	5.86	Down	1015.1	250.5	1.192	83.1
09	Down	3.00	81.7	730	9.27	Down	1013.9	250.1	1.192	82.1
10	Down	3.00	82.5	734	10.80	Down	1023.7	249.8	1.192	84.1
11	Down	3.00	83.5	751	15.95	Down	1036.1	255.4	1.192	73.0
12	Down	3.00	83.6	753	14.13	Down	1037.3	254.7	1.192	84.8
13	Down	3.00	84.1	758	14.82	Down	1043.4	256.1	1.192	81.0
14	Down	3.00	84.1	760	13.43	Down	1043.4	256.8	1.192	86.8
15	Down	3.00	84.1	760	10.27	Down	1043.4	255.5	1.192	85.7
16	Down	3.00	84.1	755	12.64	Down	1043.4	256.0	1.192	78.9
17	Down	1.86	84.5	761	16.28	Down	1045.6	257.4	1.196	78.3
18	Down	3.00	84.8	766	16.32	Down	1052.1	258.4	1.192	78.9
19	Down	0.75	84.7	767	13.25	Down	1045.2	258.0	1.199	80.2
20	Down	2.79	82.0	744	13.47	Down	1017.1	250.1	1.193	84.4
21	Down	3.00	81.5	737	9.56	Down	1011.4	249.9	1.192	88.5
22	Down	3.00	82.0	736	9.37	Down	1017.6	250.4	1.192	82.7
23	Down	3.00	82.3	733	10.55	Down	1021.3	250.4	1.192	83.1
Average	Down	2.85	82.7	744	12.24	Down	1025.8	253	1.193	83
Total	Down	68.4	1984.7	17846	293.8	Down	24618.6	6062		
30-Day Rlg Avg										87

Cedar Bay Generating
 Jacksonville, FLA
Boiler 1-C Daily Operations Report
 September 21, 2002

Operational Limits

Oil Heat Input - 380 mmBtu/hr SO2 Reduction - 80%
 Total Heat Input - 1169 mmBtu/hr

Hour	Oil Flow gallons	Fiber Flow klbs	Coal Flow klbs	Steam Flow klbs	Limestone klbs	Oil Heat Input mmBtu	Total Heat Input mmBtu	Megawatts	SO2 Inlet lb/mmBtu	SO2 Reduction %
00	Down	2.10	82.3	738	15.49	Down	1009.2	250.3	1.239	80.0
01	Down	2.15	82.3	741	15.36	Down	1009.3	250.6	1.239	81.1
02	Down	2.64	82.1	742	12.28	Down	1008.1	250.2	1.238	83.8
03	Down	3.00	82.6	744	13.51	Down	1015.1	250.2	1.237	81.6
04	Down	3.00	82.8	743	11.82	Down	1017.5	250.9	1.237	88.8
05	Down	3.00	82.1	739	8.15	Down	1009.0	250.5	1.237	84.3
06	Down	3.00	82.0	733	13.05	Down	1007.7	250.4	1.237	82.9
07	Down	3.00	81.9	731	8.22	Down	1006.5	251.0	1.237	89.3
08	Down	3.00	82.2	732	7.47	Down	1010.2	249.9	1.237	82.6
09	Down	3.00	82.8	733	11.64	Down	1017.5	250.9	1.237	83.3
10	Down	3.00	83.0	733	11.32	Down	1019.9	251.0	1.237	86.1
11	Down	3.00	85.1	758	16.43	Down	1045.6	257.7	1.237	74.0
12	Down	3.00	83.9	752	16.39	Down	1030.9	257.5	1.237	82.3
13	Down	3.00	84.0	754	15.55	Down	1032.1	257.8	1.237	84.6
14	Down	3.00	83.9	758	16.39	Down	1030.9	258.3	1.237	82.1
15	Down	3.00	83.3	755	13.43	Down	1023.6	257.3	1.237	89.7
16	Down	3.00	83.9	753	6.35	Down	1030.9	255.9	1.237	88.4
17	Down	3.00	84.4	753	9.30	Down	1037.0	256.7	1.237	78.9
18	Down	3.00	85.0	754	16.38	Down	1044.3	257.2	1.237	75.7
19	Down	3.00	84.9	756	16.32	Down	1043.1	258.0	1.237	84.3
20	Down	3.00	81.9	732	13.21	Down	1006.5	249.7	1.237	86.1
21	Down	3.00	81.8	730	13.83	Down	1005.3	250.2	1.237	85.3
22	Down	3.00	82.6	732	12.69	Down	1015.1	250.4	1.237	86.6
23	Down	3.00	83.0	736	13.21	Down	1019.9	250.5	1.237	82.8
Average	Down	2.91	83.1	743	12.82	Down	1020.6	253	1.237	84
Total	Down	69.9	1993.8	17832	307.8	Down	24495.2	6074		
30-Day Rlg Avg										87

Cedar Bay Generating
 Jacksonville, FLA
Boiler 1-C Daily Operations Report
 September 22, 2002

Operational Limits

Oil Heat Input - 380 mmBtu/hr SO2 Reduction - 80%
 Total Heat Input - 1169 mmBtu/hr

Hour	Oil Flow gallons	Fiber Flow klbs	Coal Flow klbs	Steam Flow klbs	Limestone klbs	Oil Heat Input mmBtu	Total Heat Input mmBtu	Megawatts	SO2 Inlet lb/mmBtu	SO2 Reduction %
00	Down	3.00	83.0	742	15.91	Down	1051.4	250.2	1.247	79.3
01	Down	3.00	83.0	742	15.86	Down	1051.4	250.4	1.247	84.0
02	Down	3.00	83.0	742	10.74	Down	1051.4	250.7	1.247	88.1
03	Down	3.00	83.1	743	9.26	Down	1052.6	250.4	1.247	85.4
04	Down	3.00	83.0	740	10.74	Down	1051.4	250.9	1.247	83.4
05	Down	3.00	82.7	738	11.87	Down	1047.6	251.1	1.247	85.1
06	Down	3.00	82.1	728	10.66	Down	1040.1	250.1	1.247	85.6
07	Down	1.40	82.1	731	9.88	Down	1036.1	250.5	1.252	85.3
08	Down	Down	82.3	733	11.18	Down	1035.1	249.8	1.256	83.8
09	Down	Down	82.4	735	12.40	Down	1036.3	250.7	1.256	84.5
10	Down	Down	81.9	732	15.13	Down	1030.1	251.1	1.256	79.8
11	Down	Down	82.9	753	15.96	Down	1042.6	255.2	1.256	85.5
12	Down	Down	83.2	760	15.46	Down	1046.4	256.6	1.256	84.7
13	Down	Down	83.9	763	15.81	Down	1055.2	257.1	1.256	82.6
14	Down	Down	84.0	762	16.49	Down	1056.5	256.8	1.256	82.6
15	Down	Down	84.3	765	16.27	Down	1060.2	257.5	1.256	84.6
16	Down	Down	84.3	767	12.84	Down	1060.2	257.6	1.256	83.2
17	Down	Down	84.3	767	12.86	Down	1060.2	258.3	1.256	80.4
18	Down	Down	84.5	764	14.88	Down	1062.8	258.0	1.256	84.7
19	Down	Down	84.4	761	15.94	Down	1061.5	258.2	1.256	84.6
20	Down	Down	80.8	727	10.70	Down	1016.2	250.4	1.256	89.8
21	Down	Down	80.0	721	6.23	Down	1006.2	250.0	1.256	86.8
22	Down	Down	80.1	721	7.38	Down	1007.4	250.5	1.256	82.6
23	Down	Down	81.1	717	11.64	Down	1020.0	250.0	1.256	82.6
Average	Down	2.80	82.8	744	12.75	Down	1043.3	253	1.253	84
Total	Down	22.4	1986.4	17854	306.1	Down	25038.9	6073		
30-Day Rlg Avg										87

Cedar Bay Generating
 Jacksonville, FLA
Boiler 1-C Daily Operations Report
 September 23, 2002

Operational Limits

Oil Heat Input - 380 mmBtu/hr
 Total Heat Input - 1169 mmBtu/hr

SO2 Reduction - 80%

Hour	Oil Flow gallons	Fiber Flow klbs	Coal Flow klbs	Steam Flow klbs	Limestone klbs	Oil Heat Input mmBtu	Total Heat Input mmBtu	Megawatts	SO2 Inlet lb/mmBtu	SO2 Reduction %
00	Down	Down	81.7	724	14.22	Down	1025.5	250.2	1.275	84.2
01	Down	Down	82.4	730	14.40	Down	1034.3	250.2	1.275	85.6
02	Down	Down	81.4	723	12.10	Down	1021.7	249.7	1.275	91.1
03	Down	Down	82.9	735	8.92	Down	1040.6	250.2	1.275	82.5
04	Down	Down	82.8	735	11.50	Down	1039.3	250.1	1.275	84.1
05	Down	Down	83.0	731	13.69	Down	1041.8	250.1	1.275	84.5
06	Down	Down	83.0	738	11.08	Down	1041.8	250.7	1.275	87.5
07	Down	Down	83.0	738	9.90	Down	1041.8	250.2	1.275	85.6
08	Down	Down	83.0	738	10.29	Down	1041.8	250.2	1.275	84.9
09	Down	Down	83.1	740	11.71	Down	1043.1	250.0	1.275	84.5
10	Down	Down	84.2	746	13.72	Down	1056.9	250.8	1.275	82.5
11	Down	Down	85.7	767	15.79	Down	1075.7	256.4	1.275	74.5
12	Down	Down	85.1	764	16.29	Down	1068.2	258.1	1.275	83.9
13	Down	Down	85.1	766	16.48	Down	1068.2	257.8	1.275	83.2
14	Down	Down	85.2	767	15.36	Down	1069.4	256.9	1.275	86.4
15	Down	Down	85.2	760	15.34	Down	1069.4	255.7	1.275	85.8
16	Down	Down	86.0	776	10.96	Down	1079.5	258.3	1.275	87.7
17	Down	Down	84.8	774	5.92	Down	1064.4	259.0	1.275	90.6
18	Down	Down	84.7	771	4.24	Down	1063.2	257.2	1.275	86.8
19	Down	Down	85.1	769	7.87	Down	1068.2	256.8	1.275	81.6
20	Down	0.09	83.2	750	7.20	Down	1044.5	250.3	1.275	89.1
21	Down	3.00	82.4	740	5.83	Down	1041.8	249.3	1.266	83.2
22	Down	3.00	83.0	745	13.22	Down	1049.3	250.3	1.266	82.2
23	Down	3.00	83.3	740	11.48	Down	1053.1	250.1	1.266	88.2
Average	Down	2.27	83.7	749	11.56	Down	1051.8	253	1.274	85
Total	Down	9.1	2009.3	17967	277.5	Down	25243.5	6067		
30-Day Rlg Avg										87

Cedar Bay Generating
 Jacksonville, FLA
Boiler 1-C Daily Operations Report
 September 24, 2002

Operational Limits

Oil Heat Input - 380 mmBtu/hr
 Total Heat Input - 1169 mmBtu/hr

SO2 Reduction - 80%

Hour	Oil Flow gallons	Fiber Flow klbs	Coal Flow klbs	Steam Flow klbs	Limestone klbs	Oil Heat Input mmBtu	Total Heat Input mmBtu	Megawatts	SO2 Inlet lb/mmBtu	SO2 Reduction %
00	Down	3.00	83.5	747	6.11	Down	1055.6	251.2	1.266	87.5
01	Down	3.00	83.0	744	10.98	Down	1049.3	250.3	1.266	80.1
02	Down	3.00	83.0	744	12.91	Down	1049.3	249.9	1.266	85.3
03	Down	3.00	83.0	744	11.89	Down	1049.3	250.3	1.266	89.7
04	Down	3.00	82.8	744	5.80	Down	1046.8	250.8	1.266	88.6
05	Down	3.00	83.0	742	6.84	Down	1049.3	250.3	1.266	82.7
06	Down	3.00	80.7	725	7.38	Down	1020.4	250.5	1.266	84.4
07	Down	3.00	81.4	731	7.44	Down	1029.2	250.3	1.266	84.7
08	Down	3.00	81.9	732	8.11	Down	1035.5	250.1	1.266	84.8
09	Down	3.00	82.2	741	8.19	Down	1039.3	250.6	1.266	76.1
10	Down	0.07	81.7	727	8.57	Down	1025.7	250.2	1.275	78.4
11	Down	0.84	80.7	722	9.21	Down	1015.0	253.0	1.272	86.3
12	Down	3.00	83.3	747	15.40	Down	1053.1	256.0	1.266	83.4
13	Down	3.00	84.3	756	14.80	Down	1065.6	257.7	1.266	86.3
14	Down	3.00	84.0	759	16.30	Down	1061.9	257.4	1.266	81.1
15	Down	3.00	83.9	758	16.26	Down	1060.6	257.0	1.266	84.6
16	Down	3.00	83.9	760	14.52	Down	1060.6	257.0	1.266	86.9
17	Down	3.00	83.9	760	11.56	Down	1060.6	258.1	1.266	85.9
18	Down	3.00	84.9	750	13.75	Down	1073.2	249.9	1.266	83.5
19	Down	3.00	84.3	754	13.25	Down	1065.6	251.4	1.266	76.0
20	Down	3.00	82.2	733	17.11	Down	1039.3	249.7	1.266	82.9
21	Down	3.00	82.7	744	17.11	Down	1045.6	250.8	1.266	83.3
22	Down	3.00	82.9	745	11.82	Down	1048.1	249.5	1.266	92.1
23	Down	3.00	83.9	754	4.00	Down	1060.6	250.4	1.266	96.4
Average	Down	2.79	83.0	744	11.22	Down	1048.3	252	1.267	85
Total	Down	66.9	1991.1	17863	269.3	Down	25159.5	6052		
30-Day Rlg Avg										87

Cedar Bay Generating
 Jacksonville, FLA
Boiler 1-C Daily Operations Report
 September 25, 2002

Operational Limits

Oil Heat Input - 380 mmBtu/hr SO2 Reduction - 80%
 Total Heat Input - 1169 mmBtu/hr

Hour	Oil Flow gallons	Fiber Flow klbs	Coal Flow klbs	Steam Flow klbs	Limestone klbs	Oil Heat Input mmBtu	Total Heat Input mmBtu	Megawatts	SO2 Inlet lb/mmBtu	SO2 Reduction %
00	Down	3.00	83.9	748	8.16	Down	972.4	249.4	1.259	82.4
01	Down	3.00	78.8	701	4.16	Down	913.8	217.7	1.259	91.6
02	Down	3.00	76.3	667	4.31	Down	885.0	200.5	1.258	88.6
03	Down	3.00	74.0	630	4.01	Down	858.6	193.7	1.258	93.2
04	Down	3.00	71.1	612	4.03	Down	825.2	216.7	1.257	87.1
05	Down	3.00	73.4	628	8.32	Down	851.7	226.2	1.258	84.3
06	Down	3.00	77.0	656	12.60	Down	893.1	228.5	1.258	87.8
07	Down	3.00	76.3	652	10.08	Down	885.0	227.8	1.258	88.2
08	Down	3.00	77.6	666	5.44	Down	900.0	229.8	1.258	89.3
09	Down	3.00	79.2	681	6.40	Down	918.4	232.6	1.259	82.8
10	Down	3.00	81.2	694	8.83	Down	941.4	235.8	1.259	84.1
11	Down	3.00	82.6	713	8.28	Down	957.5	237.8	1.259	87.8
12	Down	2.01	83.0	710	6.20	Down	959.6	227.1	1.262	84.2
13	Down	2.46	83.4	710	14.37	Down	965.4	224.9	1.261	83.8
14	562.0	1.39	36.4	342	10.78	77.3	499.4	189.7	1.072	95.6
15	306.1	0.51	49.7	433	11.50	42.1	614.6	167.6	1.183	100.0
16	1181.7	Down	5.3	96	3.98	162.5	223.1	132.9	0.383	100.0
17	132.9	Down	52.6	402	16.72	18.3	623.3	168.5	1.234	99.0
18	Down	2.19	58.9	505	7.34	Down	682.9	187.9	1.259	99.1
19	Down	1.74	54.2	449	8.56	Down	627.8	174.1	1.260	97.3
20	Down	Down	61.6	500	15.96	Down	708.5	171.7	1.269	99.8
21	Down	Down	56.0	470	9.15	Down	644.1	133.3	1.269	100.0
22	Down	Down	54.0	450	4.00	Down	621.1	127.2	1.269	100.0
23	Down	Down	54.1	448	4.00	Down	622.2	127.6	1.269	100.0
Average	545.7	2.57	65.9	565	8.22	75.1	774.8	195	1.212	92
Total	2182.7	46.3	1580.6	13563	197.2	300.2	18594.1	4675		
30-Day Rlg Avg										87

Date	09/25/02 00:00:00									
Hour	MS Flow	MS Temperature	MS Pressure	RH Flow	RH Temperature	RH Pressure	PA Temperature	SA Temperature	Bed Temperature	Combustor Lower Temperature
	KLBS/HR	DEG F	PSIG	KLBS/HR	DEG F	PSIG	DEG F	DEG F	DEG F	DEG F
	MSTMFX1C	SGGT3001	SGGP3002	SGJF3001	SGJT3001	SGJP3002	SGBT3125	SGBT3019	BDTPSP1C	SGAT3609
09/25/02 12:00 AM	764.19	1,004.49	1,899.86	25.49	1,004.15	453.56	438.47	411.92	1,676.00	1,709.11
09/25/02 1:00 AM	759.01	1,004.16	1,896.13	25.19	1,003.44	447.94	438.39	412.99	1,676.00	1,718.10
09/25/02 2:00 AM	719.44	1,004.37	1,893.90	25.50	1,003.85	395.92	438.12	410.48	1,676.00	1,737.29
09/25/02 3:00 AM	687.56	1,004.26	1,894.93	22.37	1,003.07	367.90	434.56	404.29	1,676.00	1,726.11
09/25/02 4:00 AM	651.31	1,004.17	1,896.08	23.31	1,005.22	358.34	427.78	399.83	1,676.00	1,696.75
09/25/02 5:00 AM	632.47	1,003.37	1,897.22	20.55	1,004.74	387.41	431.05	400.33	1,676.00	1,690.92
09/25/02 6:00 AM	644.38	1,004.26	1,898.37	18.21	1,003.89	404.58	434.65	404.75	1,676.00	1,678.72
09/25/02 7:00 AM	669.50	1,004.05	1,899.51	15.12	1,002.64	409.40	438.24	409.17	1,676.00	1,675.14
09/25/02 8:00 AM	670.17	1,004.02	1,900.66	16.66	1,005.80	409.62	440.29	412.93	1,676.00	1,670.50
09/25/02 9:00 AM	681.53	1,003.96	1,901.80	18.58	1,006.53	413.82	441.03	414.19	1,676.00	1,670.56
09/25/02 10:00 AM	695.67	1,004.12	1,902.50	19.09	1,005.99	419.57	441.77	415.19	1,676.00	1,684.55
09/25/02 11:00 AM	708.89	1,003.97	1,902.25	20.41	1,005.45	425.26	442.51	416.19	1,676.00	1,698.53
09/25/02 12:00 PM	726.23	1,003.79	1,901.95	20.82	1,004.91	424.54	443.25	417.19	1,676.00	1,713.14
09/25/02 1:00 PM	725.00	1,004.11	1,901.66	19.57	1,005.13	407.89	443.73	418.86	1,676.00	1,712.50
09/25/02 2:00 PM	725.15	1,003.92	1,901.37	18.89	1,007.56	402.16	441.55	420.80	1,676.00	1,703.88
09/25/02 3:00 PM	444.79	985.31	1,888.23	12.74	980.12	336.29	437.00	404.54	1,676.00	1,443.26
09/25/02 4:00 PM	426.77	988.17	1,886.55	8.49	1,008.25	318.27	437.78	379.61	1,676.00	1,516.79
09/25/02 5:00 PM	181.42	932.09	1,877.92	3.03	947.23	259.37	425.70	381.10	1,676.00	1,106.70
09/25/02 6:00 PM	392.84	992.15	1,878.31	4.64	1,009.33	314.73	427.36	389.29	1,676.00	1,484.17
09/25/02 7:00 PM	516.72	1,015.01	1,892.76	14.14	1,002.40	351.33	422.55	398.85	1,676.00	1,579.23
09/25/02 8:00 PM	459.55	1,011.28	1,881.80	13.12	1,005.28	329.99	416.74	400.06	1,676.00	1,591.39
09/25/02 9:00 PM	505.59	1,002.73	1,889.32	13.22	1,007.40	319.29	409.96	399.39	1,676.00	1,639.45
09/25/02 10:00 PM	487.04	1,001.18	1,883.75	10.96	1,001.32	267.39	408.76	398.83	1,676.00	1,675.30
09/25/02 11:00 PM	464.43	1,003.15	1,879.46	13.01	1,004.54	253.18	401.76	399.46	1,676.00	1,680.64

Date	09/25/02 00:00:00								
Hour	Combustor Middle Temperature	Combustor Upper Temperature	Cyclone Outlet Temperature	RHII Outlet Gas Temperature	Economizer Inlet Gas Temperature	Economizer Outlet Gas Temperature	Baghouse Inlet Temperature	PA Air Heater Cold End Temperature	SA Air Heater Cold End Temperature
	DEG F	DEG F	DEG F	DEG F	DEG F	DEG F	DEG F	DEG F	DEG F
	SGAT3609	SGAT3612	SGAT3627	SGAT3637	SGAT3639	SGAT3640	EMP	AHT:U3_PAETAVG	AHT:U3_SAETAVG
09/25/02 12:00 AM	1,709.11	1,748.61	1,632.52	1,223.85	973.03	735.29	308.73	213.47	199.73
09/25/02 1:00 AM	1,718.10	1,757.74	1,633.25	1,219.40	972.12	734.06	310.83	214.20	200.24
09/25/02 2:00 AM	1,737.29	1,777.40	1,625.45	1,203.54	963.28	724.91	304.95	211.33	197.46
09/25/02 3:00 AM	1,726.11	1,763.94	1,623.33	1,198.51	956.09	715.48	305.07	211.52	197.60
09/25/02 4:00 AM	1,696.75	1,732.84	1,625.99	1,186.57	942.57	709.88	296.18	206.98	194.19
09/25/02 5:00 AM	1,690.92	1,727.27	1,628.65	1,190.16	951.57	716.84	298.82	208.69	196.40
09/25/02 6:00 AM	1,678.72	1,712.88	1,631.31	1,196.89	963.51	722.79	300.35	209.10	198.37
09/25/02 7:00 AM	1,675.14	1,710.55	1,633.97	1,205.69	968.86	727.20	307.31	213.06	201.59
09/25/02 8:00 AM	1,670.50	1,699.84	1,636.63	1,204.28	965.58	722.74	305.60	212.51	201.26
09/25/02 9:00 AM	1,670.56	1,700.15	1,639.29	1,205.05	966.76	724.71	308.68	215.20	202.87
09/25/02 10:00 AM	1,684.55	1,712.67	1,640.97	1,206.75	970.74	727.76	309.63	216.04	203.73
09/25/02 11:00 AM	1,698.53	1,729.45	1,638.03	1,208.45	974.71	730.82	310.92	216.45	203.79
09/25/02 12:00 PM	1,713.14	1,743.24	1,634.50	1,210.15	978.69	733.87	313.36	218.54	206.17
09/25/02 1:00 PM	1,712.50	1,740.09	1,630.96	1,211.85	982.67	735.46	310.55	215.64	203.38
09/25/02 2:00 PM	1,703.88	1,738.66	1,627.43	1,213.55	982.08	729.54	311.61	217.86	206.62
09/25/02 3:00 PM	1,443.26	1,467.78	1,480.63	1,099.05	913.33	693.44	303.55	214.26	200.30
09/25/02 4:00 PM	1,516.79	1,535.55	1,414.00	1,070.88	904.67	680.64	299.50	213.51	190.72
09/25/02 5:00 PM	1,106.70	1,118.12	1,177.23	925.03	828.43	655.24	284.28	204.68	187.72
09/25/02 6:00 PM	1,484.17	1,501.09	1,389.46	1,064.40	889.75	666.82	288.57	206.48	190.95
09/25/02 7:00 PM	1,579.23	1,606.16	1,514.53	1,130.36	920.61	681.67	290.33	206.02	196.64
09/25/02 8:00 PM	1,591.39	1,619.23	1,506.77	1,106.49	898.52	663.13	280.65	199.25	192.49
09/25/02 9:00 PM	1,639.45	1,670.40	1,512.58	1,115.77	906.85	666.14	277.26	196.24	192.85
09/25/02 10:00 PM	1,675.30	1,707.86	1,511.95	1,112.29	914.32	662.47	278.23	196.50	192.93
09/25/02 11:00 PM	1,680.64	1,726.31	1,488.30	1,104.08	898.87	650.26	270.25	192.63	190.14

Date	09/24/02 00:00:00									
Hour	MS Flow	MS Temperature	MS Pressure	RH Flow	RH Temperature	RH Pressure	PA Temperature	SA Temperature	Bed Temperature	Combustor Lower Temperature
	KLBS/HR	DEG F	PSIG	KLBS/HR	DEG F	PSIG	DEG F	DEG F	DEG F	DEG F
	MSTMF1C	SGGT3001	SGGP3002	SGJF3001	SGJT3001	SGJP3002	SGBT3125	SGBT3019	BDTPSP1C	SGAT3609
09/24/02 12:00 AM	756.73	1,003.63	1,919.79	25.65	1,004.72	454.34	439.26	415.78	1,676.00	1,760.01
09/24/02 1:00 AM	762.62	1,004.00	1,919.50	26.02	1,004.91	451.92	439.39	416.21	1,676.00	1,755.60
09/24/02 2:00 AM	760.15	1,003.88	1,919.21	25.10	1,005.10	452.49	439.53	416.05	1,676.00	1,752.32
09/24/02 3:00 AM	759.58	1,003.91	1,918.93	25.00	1,005.29	453.06	439.67	415.89	1,676.00	1,756.68
09/24/02 4:00 AM	758.69	1,004.04	1,918.59	25.19	1,005.48	453.53	439.80	415.73	1,676.00	1,761.54
09/24/02 5:00 AM	759.58	1,003.85	1,917.97	25.15	1,005.67	451.80	439.76	415.46	1,676.00	1,767.10
09/24/02 6:00 AM	759.31	1,003.64	1,917.30	25.28	1,005.72	449.19	439.58	415.14	1,676.00	1,772.84
09/24/02 7:00 AM	743.12	1,004.14	1,916.63	25.41	1,005.64	451.20	439.40	414.82	1,676.00	1,778.58
09/24/02 8:00 AM	747.06	1,003.74	1,915.97	25.37	1,005.57	447.96	439.22	414.51	1,676.00	1,784.32
09/24/02 9:00 AM	747.42	1,004.41	1,915.30	25.44	1,005.49	451.46	439.04	414.19	1,676.00	1,789.27
09/24/02 10:00 AM	756.17	1,004.26	1,914.63	24.95	1,005.42	452.26	438.86	413.53	1,676.00	1,768.60
09/24/02 11:00 AM	744.57	1,004.22	1,913.96	25.56	1,005.34	452.98	438.68	411.63	1,676.00	1,770.48
09/24/02 12:00 PM	737.35	1,003.41	1,913.40	27.42	1,005.26	453.81	438.68	411.03	1,676.00	1,777.91
09/24/02 1:00 PM	760.38	1,004.31	1,913.49	26.62	1,005.19	458.10	439.05	412.59	1,676.00	1,758.81
09/24/02 2:00 PM	768.61	1,004.02	1,913.68	26.67	1,005.21	462.39	439.43	414.17	1,676.00	1,756.09
09/24/02 3:00 PM	772.46	1,004.19	1,913.88	26.27	1,005.31	466.46	439.81	415.74	1,676.00	1,754.71
09/24/02 4:00 PM	770.87	1,003.86	1,914.07	26.36	1,005.41	468.01	440.20	417.32	1,676.00	1,757.40
09/24/02 5:00 PM	771.47	1,003.99	1,914.26	26.17	1,005.51	468.87	440.58	418.90	1,676.00	1,760.38
09/24/02 6:00 PM	772.37	1,004.34	1,914.45	26.47	1,005.61	469.71	440.96	417.67	1,676.00	1,762.22
09/24/02 7:00 PM	763.91	1,004.15	1,914.64	25.21	1,005.70	452.25	441.06	408.98	1,676.00	1,775.08
09/24/02 8:00 PM	769.32	1,003.48	1,914.31	24.99	1,005.80	450.29	440.39	407.65	1,676.00	1,755.71
09/24/02 9:00 PM	745.23	1,004.49	1,911.04	25.25	1,005.90	449.43	439.67	408.72	1,676.00	1,699.69
09/24/02 10:00 PM	756.65	1,003.93	1,907.32	25.05	1,005.56	450.63	438.95	409.78	1,676.00	1,703.60
09/24/02 11:00 PM	755.67	1,003.58	1,903.59	25.32	1,004.85	453.32	438.55	410.85	1,676.00	1,707.19

Date	09/24/02 00:00:00								
Hour	Combustor Middle Temperature	Combustor Upper Temperature	Cyclone Outlet Temperature	RHII Outlet Gas Temperature	Economizer Inlet Gas Temperature	Economizer Outlet Gas Temperature	Baghouse Inlet Temperature	PA Air Heater Cold End Temperature	SA Air Heater Cold End Temperature
	DEG F	DEG F	DEG F	DEG F	DEG F	DEG F	DEG F	DEG F	DEG F
	SGAT3609	SGAT3612	SGAT3627	SGAT3637	SGAT3639	SGAT3640	EMP	AHT:U3_PAETAVG	AHT:U3_SAETAVG
09/24/02 12:00 AM	1,760.01	1,790.79	1,658.05	1,209.60	964.82	727.88	311.71	218.40	203.38
09/24/02 1:00 AM	1,755.60	1,792.41	1,656.77	1,211.17	966.62	729.56	309.16	217.19	202.82
09/24/02 2:00 AM	1,752.32	1,793.11	1,655.50	1,212.74	968.43	731.25	311.98	218.45	203.79
09/24/02 3:00 AM	1,756.68	1,792.42	1,654.22	1,214.31	970.23	732.93	313.48	219.19	205.01
09/24/02 4:00 AM	1,761.54	1,792.17	1,651.99	1,215.74	972.03	733.54	312.24	217.23	204.36
09/24/02 5:00 AM	1,767.10	1,794.92	1,648.95	1,215.99	973.79	732.28	307.67	213.73	200.98
09/24/02 6:00 AM	1,772.84	1,798.22	1,645.90	1,215.97	975.13	730.88	308.24	215.15	202.08
09/24/02 7:00 AM	1,778.58	1,801.52	1,642.86	1,215.95	976.34	730.43	306.57	212.24	200.42
09/24/02 8:00 AM	1,784.32	1,804.81	1,639.82	1,215.93	977.56	732.55	305.82	211.54	199.53
09/24/02 9:00 AM	1,789.27	1,808.10	1,636.77	1,215.91	978.78	734.81	306.02	210.85	198.49
09/24/02 10:00 AM	1,768.60	1,808.94	1,633.73	1,215.89	979.99	737.07	309.03	213.19	200.74
09/24/02 11:00 AM	1,770.48	1,806.78	1,630.70	1,216.02	981.21	738.14	309.05	213.27	200.79
09/24/02 12:00 PM	1,777.91	1,802.71	1,629.61	1,216.98	982.42	739.21	305.05	210.56	198.91
09/24/02 1:00 PM	1,758.81	1,798.62	1,629.92	1,218.06	983.45	740.64	309.83	213.04	201.32
09/24/02 2:00 PM	1,756.09	1,794.52	1,630.22	1,219.14	982.82	742.08	309.33	212.87	201.48
09/24/02 3:00 PM	1,754.71	1,790.43	1,630.53	1,220.22	981.81	743.07	311.30	214.93	204.12
09/24/02 4:00 PM	1,757.40	1,786.48	1,630.84	1,221.30	980.80	742.47	312.14	215.73	204.39
09/24/02 5:00 PM	1,760.38	1,786.78	1,631.14	1,222.38	979.80	741.73	312.73	216.89	205.03
09/24/02 6:00 PM	1,762.22	1,789.14	1,626.17	1,223.46	978.79	740.99	310.25	214.32	203.00
09/24/02 7:00 PM	1,775.08	1,789.21	1,613.33	1,224.34	977.78	740.25	307.27	210.71	197.34
09/24/02 8:00 PM	1,755.71	1,776.78	1,638.33	1,224.33	976.77	739.51	304.79	209.37	195.56
09/24/02 9:00 PM	1,699.69	1,737.74	1,647.63	1,224.22	975.77	738.77	305.63	211.12	196.59
09/24/02 10:00 PM	1,703.60	1,736.67	1,642.36	1,224.10	974.85	737.75	307.04	212.64	198.51
09/24/02 11:00 PM	1,707.19	1,739.73	1,637.10	1,223.99	973.94	736.52	306.69	212.53	198.88

Date	09/23/02 00:00:00									
Hour	MS Flow	MS Temperature	MS Pressure	RH Flow	RH Temperature	RH Pressure	PA Temperature	SA Temperature	Bed Temperature	Combustor Lower Temperature
	KLBS/HR	DEG F	PSIG	KLBS/HR	DEG F	PSIG	DEG F	DEG F	DEG F	DEG F
	MSTMFX1C	SGGT3001	SGGP3002	SGJF3001	SGJT3001	SGJP3002	SGBT3125	SGBT3019	BDTPSP1C	SGAT3609
09/23/02 12:00 AM	737.93	1,003.91	1,917.88	25.59	1,006.01	450.73	431.65	412.14	1,676.00	1,777.12
09/23/02 1:00 AM	744.51	1,003.99	1,917.50	25.25	1,005.78	448.82	432.05	412.67	1,676.00	1,775.75
09/23/02 2:00 AM	748.81	1,003.98	1,917.12	25.08	1,005.56	450.47	432.44	413.21	1,676.00	1,771.03
09/23/02 3:00 AM	740.82	1,003.78	1,916.74	25.16	1,005.33	451.81	432.84	413.75	1,676.00	1,765.45
09/23/02 4:00 AM	753.41	1,004.30	1,916.48	24.83	1,005.10	449.31	433.24	414.28	1,676.00	1,764.46
09/23/02 5:00 AM	753.48	1,004.12	1,917.01	24.30	1,004.88	445.81	433.63	414.82	1,676.00	1,766.78
09/23/02 6:00 AM	749.47	1,003.94	1,917.68	24.35	1,004.83	445.26	434.03	415.35	1,676.00	1,769.10
09/23/02 7:00 AM	755.35	1,003.88	1,918.35	24.57	1,004.94	446.32	434.60	415.89	1,676.00	1,771.43
09/23/02 8:00 AM	756.94	1,004.23	1,919.02	24.28	1,005.05	447.30	435.39	416.43	1,676.00	1,773.75
09/23/02 9:00 AM	757.33	1,003.94	1,919.69	24.10	1,005.16	451.22	436.18	416.97	1,676.00	1,776.08
09/23/02 10:00 AM	758.31	1,004.01	1,920.35	24.07	1,005.27	449.59	436.97	417.50	1,676.00	1,778.40
09/23/02 11:00 AM	762.44	1,003.80	1,921.02	24.18	1,005.38	453.58	437.76	418.04	1,676.00	1,780.69
09/23/02 12:00 PM	781.82	1,003.99	1,921.60	24.77	1,005.49	466.41	438.55	418.38	1,676.00	1,780.36
09/23/02 1:00 PM	779.51	1,003.98	1,921.60	25.29	1,005.59	469.67	439.34	418.54	1,676.00	1,778.42
09/23/02 2:00 PM	781.28	1,004.02	1,921.50	25.58	1,005.55	468.87	440.13	418.70	1,676.00	1,776.49
09/23/02 3:00 PM	781.17	1,003.98	1,921.41	25.58	1,005.38	468.07	440.48	418.86	1,676.00	1,774.55
09/23/02 4:00 PM	775.57	1,003.72	1,921.31	26.15	1,005.20	467.27	440.24	419.02	1,676.00	1,772.51
09/23/02 5:00 PM	787.26	1,003.73	1,921.22	26.79	1,005.02	467.76	439.99	419.18	1,676.00	1,764.54
09/23/02 6:00 PM	787.21	1,003.80	1,921.12	27.26	1,004.85	470.54	439.75	419.34	1,676.00	1,762.05
09/23/02 7:00 PM	784.51	1,004.05	1,921.03	27.15	1,004.67	467.74	439.50	419.50	1,676.00	1,761.11
09/23/02 8:00 PM	783.08	1,004.16	1,920.91	26.75	1,004.49	464.06	439.26	419.91	1,676.00	1,760.18
09/23/02 9:00 PM	760.99	1,005.10	1,920.64	25.52	1,004.32	454.87	439.01	419.82	1,676.00	1,759.24
09/23/02 10:00 PM	758.48	1,003.34	1,920.36	25.40	1,004.34	452.22	438.98	410.72	1,676.00	1,758.33
09/23/02 11:00 PM	761.58	1,003.93	1,920.07	25.27	1,004.53	453.64	439.12	412.21	1,676.00	1,758.95

Date	09/23/02 00:00:00								
Hour	Combustor Middle Temperature	Combustor Upper Temperature	Cyclone Outlet Temperature	RHII Outlet Gas Temperature	Economizer Inlet Gas Temperature	Economizer Outlet Gas Temperature	Baghouse Inlet Temperature	PA Air Heater Cold End Temperature	SA Air Heater Cold End Temperature
	DEG F	DEG F	DEG F	DEG F	DEG F	DEG F	DEG F	DEG F	DEG F
	SGAT3609	SGAT3612	SGAT3627	SGAT3637	SGAT3639	SGAT3640	EMP	AHT:U3_PAETAVG	AHT:U3_SAETAVG
09/23/02 12:00 AM	1,777.12	1,810.32	1,663.10	1,214.02	959.77	725.77	304.88	211.89	202.76
09/23/02 1:00 AM	1,775.75	1,809.67	1,661.77	1,214.59	962.81	728.40	305.64	211.35	202.71
09/23/02 2:00 AM	1,771.03	1,808.36	1,660.43	1,215.15	965.85	731.02	305.26	209.82	201.21
09/23/02 3:00 AM	1,765.45	1,798.07	1,659.73	1,215.76	968.89	733.65	305.17	210.00	200.38
09/23/02 4:00 AM	1,764.46	1,798.84	1,663.98	1,217.03	971.93	735.86	304.30	208.96	199.81
09/23/02 5:00 AM	1,766.78	1,804.04	1,665.07	1,218.51	974.97	736.14	303.84	208.13	200.19
09/23/02 6:00 AM	1,769.10	1,806.55	1,666.09	1,217.38	973.74	734.69	303.84	207.83	199.70
09/23/02 7:00 AM	1,771.43	1,811.06	1,667.11	1,220.69	975.59	738.29	304.50	209.20	200.31
09/23/02 8:00 AM	1,773.75	1,811.25	1,668.13	1,222.04	976.19	738.24	305.04	210.26	200.91
09/23/02 9:00 AM	1,776.08	1,811.44	1,669.15	1,223.38	976.79	738.19	306.35	211.63	199.93
09/23/02 10:00 AM	1,778.40	1,811.63	1,670.17	1,224.72	977.38	738.14	307.96	213.85	202.63
09/23/02 11:00 AM	1,780.69	1,811.81	1,671.19	1,226.07	977.98	738.09	310.68	217.32	205.81
09/23/02 12:00 PM	1,780.36	1,812.00	1,671.42	1,227.41	978.57	738.04	312.27	218.75	207.31
09/23/02 1:00 PM	1,778.42	1,812.19	1,670.42	1,228.75	979.17	737.99	312.82	219.73	208.31
09/23/02 2:00 PM	1,776.49	1,812.27	1,669.40	1,230.04	979.73	737.94	312.60	219.48	207.47
09/23/02 3:00 PM	1,774.55	1,808.78	1,668.38	1,229.56	979.29	738.04	313.23	220.26	207.84
09/23/02 4:00 PM	1,772.51	1,803.64	1,667.37	1,228.22	978.36	738.22	312.46	219.66	206.67
09/23/02 5:00 PM	1,764.54	1,805.30	1,666.35	1,226.87	977.42	738.39	312.67	220.16	207.15
09/23/02 6:00 PM	1,762.05	1,803.45	1,665.33	1,225.53	976.49	738.57	311.52	219.17	206.64
09/23/02 7:00 PM	1,761.11	1,800.12	1,664.31	1,224.19	975.56	738.74	310.32	218.08	204.99
09/23/02 8:00 PM	1,760.18	1,796.80	1,663.15	1,222.84	974.62	738.57	310.45	217.12	204.72
09/23/02 9:00 PM	1,759.24	1,793.47	1,661.88	1,218.91	968.83	727.52	312.88	218.42	204.82
09/23/02 10:00 PM	1,758.33	1,790.14	1,660.60	1,207.14	961.22	724.51	308.04	216.10	200.70
09/23/02 11:00 PM	1,758.95	1,789.16	1,659.32	1,208.03	963.02	726.19	312.55	218.67	203.03

Date	09/22/02 00:00:00									
Hour	MS Flow	MS Temperature	MS Pressure	RH Flow	RH Temperature	RH Pressure	PA Temperature	SA Temperature	Bed Temperature	Combustor Lower Temperature
	KLBS/HR	DEG F	PSIG	KLBS/HR	DEG F	PSIG	DEG F	DEG F	DEG F	DEG F
	MSTMFX1C	SGGT3001	SGGP3002	SGJF3001	SGJT3001	SGJP3002	SGBT3125	SGBT3019	BDTPSP1C	SGAT3609
09/22/02 12:00 AM	755.90	1,003.94	1,917.88	23.69	1,004.88	446.77	440.71	408.32	1,676.00	1,779.91
09/22/02 1:00 AM	760.86	1,003.83	1,917.69	23.49	1,005.10	447.53	440.09	407.93	1,676.00	1,781.03
09/22/02 2:00 AM	761.23	1,003.85	1,917.50	23.47	1,005.32	448.28	439.80	407.54	1,676.00	1,782.15
09/22/02 3:00 AM	760.27	1,003.75	1,917.31	23.91	1,005.54	448.40	439.52	407.39	1,676.00	1,783.61
09/22/02 4:00 AM	761.47	1,004.06	1,917.16	23.89	1,005.75	448.14	439.24	407.89	1,676.00	1,785.62
09/22/02 5:00 AM	759.30	1,003.92	1,917.30	24.19	1,005.97	447.88	438.96	408.43	1,676.00	1,787.64
09/22/02 6:00 AM	756.91	1,004.05	1,917.49	24.16	1,006.05	447.87	438.68	408.97	1,676.00	1,789.66
09/22/02 7:00 AM	747.54	1,003.87	1,917.68	24.10	1,006.00	448.06	438.40	409.51	1,676.00	1,791.67
09/22/02 8:00 AM	750.23	1,003.82	1,917.87	24.30	1,005.94	446.88	438.12	410.05	1,676.00	1,793.69
09/22/02 9:00 AM	752.35	1,004.07	1,918.07	24.28	1,005.89	448.12	437.94	410.59	1,676.00	1,795.71
09/22/02 10:00 AM	754.01	1,003.98	1,918.26	24.36	1,005.84	451.12	437.97	411.12	1,676.00	1,797.72
09/22/02 11:00 AM	750.80	1,003.73	1,918.45	24.58	1,005.79	454.63	438.01	412.39	1,676.00	1,798.13
09/22/02 12:00 PM	768.36	1,003.79	1,918.63	24.89	1,005.73	459.56	438.04	415.60	1,676.00	1,796.18
09/22/02 1:00 PM	775.54	1,004.04	1,918.73	24.94	1,005.68	464.66	438.08	418.85	1,676.00	1,794.22
09/22/02 2:00 PM	777.48	1,004.05	1,918.83	25.32	1,005.71	466.17	438.11	419.87	1,676.00	1,792.25
09/22/02 3:00 PM	777.11	1,003.79	1,918.93	25.48	1,005.83	467.13	438.15	419.82	1,676.00	1,790.29
09/22/02 4:00 PM	778.82	1,004.07	1,919.02	25.55	1,005.95	467.96	438.18	419.77	1,676.00	1,788.32
09/22/02 5:00 PM	781.70	1,003.97	1,919.12	25.54	1,006.06	468.69	438.21	419.73	1,676.00	1,786.36
09/22/02 6:00 PM	782.10	1,004.01	1,919.21	25.67	1,006.18	468.12	438.24	419.68	1,676.00	1,784.39
09/22/02 7:00 PM	779.08	1,004.16	1,919.31	25.66	1,006.29	465.89	438.26	419.63	1,676.00	1,782.78
09/22/02 8:00 PM	775.45	1,003.98	1,919.35	25.70	1,006.41	463.64	438.29	419.58	1,676.00	1,781.65
09/22/02 9:00 PM	741.01	1,004.54	1,919.03	25.56	1,006.52	452.14	437.90	418.83	1,676.00	1,780.52
09/22/02 10:00 PM	742.62	1,003.69	1,918.65	25.74	1,006.46	450.65	433.92	412.70	1,676.00	1,779.39
09/22/02 11:00 PM	743.24	1,004.11	1,918.27	25.68	1,006.24	452.35	431.27	411.60	1,676.00	1,778.26

Date	09/22/02 00:00:00								
Hour	Combustor Middle Temperature	Combustor Upper Temperature	Cyclone Outlet Temperature	RHII Outlet Gas Temperature	Economizer Inlet Gas Temperature	Economizer Outlet Gas Temperature	Baghouse Inlet Temperature	PA Air Heater Cold End Temperature	SA Air Heater Cold End Temperature
	DEG F	DEG F	DEG F	DEG F	DEG F	DEG F	DEG F	DEG F	DEG F
	SGAT3609	SGAT3612	SGAT3627	SGAT3637	SGAT3639	SGAT3640	EMP	AHT:U3_PAETAVG	AHT:U3_SAETAVG
09/22/02 12:00 AM	1,779.91	1,808.95	1,672.95	1,216.62	960.91	722.87	310.41	216.63	201.69
09/22/02 1:00 AM	1,781.03	1,809.46	1,673.09	1,217.93	962.82	724.87	311.12	216.49	201.44
09/22/02 2:00 AM	1,782.15	1,809.99	1,673.24	1,219.24	964.73	726.86	310.78	216.20	200.77
09/22/02 3:00 AM	1,783.61	1,811.46	1,673.38	1,220.54	966.63	728.86	307.55	214.62	199.00
09/22/02 4:00 AM	1,785.62	1,813.52	1,673.35	1,221.85	968.54	730.85	307.02	214.13	198.83
09/22/02 5:00 AM	1,787.64	1,815.58	1,672.73	1,223.12	970.45	732.84	306.97	214.03	199.43
09/22/02 6:00 AM	1,789.66	1,817.64	1,672.06	1,223.97	972.04	733.82	307.17	214.07	199.58
09/22/02 7:00 AM	1,791.67	1,819.70	1,671.39	1,224.70	973.11	733.99	306.75	213.63	199.59
09/22/02 8:00 AM	1,793.69	1,821.76	1,670.72	1,225.43	974.18	734.16	306.54	213.77	200.47
09/22/02 9:00 AM	1,795.71	1,823.82	1,670.04	1,226.16	975.25	734.33	307.52	215.10	202.53
09/22/02 10:00 AM	1,797.72	1,825.72	1,669.37	1,226.89	976.32	734.50	309.21	216.81	203.99
09/22/02 11:00 AM	1,798.13	1,825.09	1,668.70	1,227.62	977.38	734.67	309.79	217.19	204.75
09/22/02 12:00 PM	1,796.18	1,823.56	1,668.19	1,228.35	978.45	734.74	310.36	217.63	208.17
09/22/02 1:00 PM	1,794.22	1,822.03	1,668.23	1,228.94	979.52	734.47	311.10	218.06	208.11
09/22/02 2:00 PM	1,792.25	1,820.51	1,668.33	1,227.97	979.82	734.17	310.96	218.12	207.94
09/22/02 3:00 PM	1,790.29	1,818.98	1,668.42	1,226.56	978.92	733.87	311.54	218.62	208.45
09/22/02 4:00 PM	1,788.32	1,817.46	1,668.52	1,225.16	977.99	733.57	311.61	218.51	207.86
09/22/02 5:00 PM	1,786.36	1,815.93	1,668.61	1,223.75	977.07	733.27	311.33	218.01	206.80
09/22/02 6:00 PM	1,784.39	1,814.45	1,668.70	1,222.34	976.15	732.96	310.58	217.08	206.07
09/22/02 7:00 PM	1,782.78	1,813.58	1,668.80	1,220.94	975.22	732.66	309.64	215.53	203.99
09/22/02 8:00 PM	1,781.65	1,812.93	1,668.42	1,219.53	974.30	730.65	308.96	214.53	202.94
09/22/02 9:00 PM	1,780.52	1,812.27	1,667.11	1,214.32	963.98	719.25	310.03	214.74	204.29
09/22/02 10:00 PM	1,779.39	1,811.62	1,665.77	1,212.90	953.77	720.51	302.74	210.90	201.45
09/22/02 11:00 PM	1,778.26	1,810.97	1,664.44	1,213.46	956.73	723.14	303.11	210.96	201.64

Date	09/21/02 00:00:00									
Hour	MS Flow	MS Temperature	MS Pressure	RH Flow	RH Temperature	RH Pressure	PA Temperature	SA Temperature	Bed Temperature	Combustor Lower Temperature
	KLBS/HR	DEG F	PSIG	KLBS/HR	DEG F	PSIG	DEG F	DEG F	DEG F	DEG F
	MSTMFX1C	SGGT3001	SGGP3002	SGJF3001	SGJT3001	SGJP3002	SGBT3125	SGBT3019	BDTPSP1C	SGAT3609
09/21/02 12:00 AM	753.16	1,003.85	1,921.99	24.95	1,005.07	453.02	437.46	406.37	1,676.00	1,770.43
09/21/02 1:00 AM	758.44	1,003.71	1,922.29	24.88	1,005.14	451.79	437.82	407.34	1,676.00	1,770.45
09/21/02 2:00 AM	760.39	1,004.04	1,922.60	24.78	1,005.21	451.15	438.18	408.05	1,676.00	1,770.61
09/21/02 3:00 AM	761.88	1,003.75	1,922.90	24.37	1,005.28	450.07	438.54	408.17	1,676.00	1,770.77
09/21/02 4:00 AM	762.76	1,004.00	1,923.14	24.39	1,005.35	452.84	438.90	408.26	1,676.00	1,770.93
09/21/02 5:00 AM	762.46	1,003.69	1,922.94	24.47	1,005.42	450.35	439.26	408.35	1,676.00	1,771.09
09/21/02 6:00 AM	759.09	1,004.04	1,922.66	24.23	1,005.49	446.39	439.62	408.44	1,676.00	1,771.26
09/21/02 7:00 AM	752.91	1,003.81	1,922.37	24.18	1,005.57	446.84	439.88	408.53	1,676.00	1,771.83
09/21/02 8:00 AM	750.66	1,003.71	1,922.08	24.72	1,005.64	447.50	440.00	409.08	1,676.00	1,773.45
09/21/02 9:00 AM	751.69	1,004.03	1,921.80	24.55	1,005.72	449.96	440.13	411.35	1,676.00	1,775.13
09/21/02 10:00 AM	752.64	1,003.84	1,921.51	25.09	1,005.79	452.77	440.26	413.78	1,676.00	1,776.80
09/21/02 11:00 AM	751.81	1,003.99	1,921.23	25.21	1,005.87	455.53	440.38	416.22	1,676.00	1,778.47
09/21/02 12:00 PM	774.82	1,003.74	1,920.94	26.25	1,005.95	464.79	440.51	418.66	1,676.00	1,780.13
09/21/02 1:00 PM	768.43	1,004.00	1,920.65	26.00	1,006.02	470.67	440.63	419.50	1,676.00	1,777.88
09/21/02 2:00 PM	768.68	1,003.75	1,920.37	26.46	1,005.95	470.64	440.76	418.76	1,676.00	1,772.74
09/21/02 3:00 PM	772.69	1,003.86	1,920.08	26.35	1,005.74	471.05	440.96	418.03	1,676.00	1,767.60
09/21/02 4:00 PM	769.47	1,003.95	1,919.79	25.75	1,005.52	470.19	441.26	417.29	1,676.00	1,762.48
09/21/02 5:00 PM	769.29	1,003.75	1,919.51	25.63	1,005.31	466.12	441.56	416.59	1,676.00	1,763.71
09/21/02 6:00 PM	770.52	1,004.12	1,919.22	25.55	1,005.09	465.15	441.86	416.07	1,676.00	1,769.96
09/21/02 7:00 PM	770.41	1,003.84	1,918.94	25.39	1,004.87	464.48	442.15	415.56	1,676.00	1,774.27
09/21/02 8:00 PM	771.69	1,003.84	1,918.66	26.03	1,004.66	463.82	442.45	415.05	1,676.00	1,775.43
09/21/02 9:00 PM	746.76	1,005.04	1,918.46	24.85	1,004.44	451.79	442.73	414.34	1,676.00	1,776.55
09/21/02 10:00 PM	750.79	1,003.40	1,918.26	24.35	1,004.45	446.76	442.31	412.57	1,676.00	1,777.67
09/21/02 11:00 PM	752.60	1,003.82	1,918.07	24.07	1,004.66	446.15	441.51	409.98	1,676.00	1,778.79

Date	09/21/02 00:00:00								
Hour	Combustor Middle Temperature	Combustor Upper Temperature	Cyclone Outlet Temperature	RHII Outlet Gas Temperature	Economizer Inlet Gas Temperature	Economizer Outlet Gas Temperature	Baghouse Inlet Temperature	PA Air Heater Cold End Temperature	SA Air Heater Cold End Temperature
	DEG F	DEG F	DEG F	DEG F	DEG F	DEG F	DEG F	DEG F	DEG F
	SGAT3609	SGAT3612	SGAT3627	SGAT3637	SGAT3639	SGAT3640	EMP	AHT:U3_PAETAVG	AHT:U3_SAETAVG
09/21/02 12:00 AM	1,770.43	1,807.13	1,677.86	1,211.83	958.42	726.06	309.80	216.06	201.50
09/21/02 1:00 AM	1,770.45	1,805.36	1,677.41	1,213.85	960.55	727.12	311.07	216.61	202.03
09/21/02 2:00 AM	1,770.61	1,804.02	1,676.96	1,215.87	962.68	728.17	310.34	215.94	201.40
09/21/02 3:00 AM	1,770.77	1,802.89	1,676.51	1,217.90	964.82	729.22	311.63	216.53	202.26
09/21/02 4:00 AM	1,770.93	1,801.77	1,676.09	1,219.92	966.95	730.28	311.30	216.21	202.67
09/21/02 5:00 AM	1,771.09	1,800.65	1,675.80	1,221.95	969.08	731.33	310.86	216.10	202.40
09/21/02 6:00 AM	1,771.26	1,799.53	1,675.52	1,223.82	971.20	732.24	309.85	214.94	201.47
09/21/02 7:00 AM	1,771.83	1,798.75	1,675.25	1,224.05	972.40	732.87	310.91	215.20	202.16
09/21/02 8:00 AM	1,773.45	1,801.56	1,674.98	1,223.82	973.01	733.50	307.58	213.28	200.05
09/21/02 9:00 AM	1,775.13	1,805.33	1,674.70	1,223.59	973.62	734.12	306.72	213.38	200.61
09/21/02 10:00 AM	1,776.80	1,809.10	1,674.43	1,223.36	974.24	734.75	308.71	215.35	202.72
09/21/02 11:00 AM	1,778.47	1,812.87	1,674.16	1,223.12	974.85	735.37	310.59	217.29	204.72
09/21/02 12:00 PM	1,780.13	1,816.19	1,673.90	1,222.89	975.47	735.64	312.43	218.20	207.13
09/21/02 1:00 PM	1,777.88	1,798.60	1,673.69	1,222.66	976.08	735.29	315.74	219.64	210.23
09/21/02 2:00 PM	1,772.74	1,792.95	1,673.50	1,222.45	976.64	734.92	314.59	219.24	209.31
09/21/02 3:00 PM	1,767.60	1,794.65	1,673.30	1,222.49	976.34	734.56	315.01	219.62	209.91
09/21/02 4:00 PM	1,762.48	1,796.35	1,673.11	1,222.59	975.73	734.19	314.35	219.28	209.04
09/21/02 5:00 PM	1,763.71	1,797.58	1,672.91	1,222.69	975.12	733.82	311.15	217.36	206.30
09/21/02 6:00 PM	1,769.96	1,797.75	1,672.72	1,222.80	974.51	733.46	310.21	216.35	205.04
09/21/02 7:00 PM	1,774.27	1,798.46	1,672.52	1,222.90	973.89	733.09	311.70	216.54	205.25
09/21/02 8:00 PM	1,775.43	1,800.84	1,672.40	1,223.00	973.28	730.42	310.16	215.39	203.86
09/21/02 9:00 PM	1,776.55	1,803.33	1,672.52	1,217.41	971.64	721.18	311.71	216.85	203.45
09/21/02 10:00 PM	1,777.67	1,805.81	1,672.66	1,214.00	957.50	718.88	311.29	217.15	201.97
09/21/02 11:00 PM	1,778.79	1,808.11	1,672.80	1,215.31	959.00	720.88	308.89	215.99	201.15

Date	09/20/02 00:00:00									
Hour	MS Flow	MS Temperature	MS Pressure	RH Flow	RH Temperature	RH Pressure	PA Temperature	SA Temperature	Bed Temperature	Combustor Lower Temperature
	KLBS/HR	DEG F	PSIG	KLBS/HR	DEG F	PSIG	DEG F	DEG F	DEG F	DEG F
	MSTMFX1C	SGGT3001	SGGP3002	SGJF3001	SGJT3001	SGJP3002	SGBT3125	SGBT3019	BDTPSP1C	SGAT3609
09/20/02 12:00 AM	748.31	1,004.18	1,916.88	25.09	1,005.73	453.63	436.35	405.48	1,676.00	1,775.02
09/20/02 1:00 AM	743.43	1,004.12	1,916.59	24.91	1,005.96	453.53	436.35	406.81	1,676.00	1,768.75
09/20/02 2:00 AM	744.61	1,003.86	1,916.31	24.92	1,006.19	453.43	436.47	408.13	1,676.00	1,762.49
09/20/02 3:00 AM	751.12	1,003.85	1,916.02	25.15	1,006.42	453.36	436.58	409.45	1,676.00	1,756.80
09/20/02 4:00 AM	752.47	1,004.00	1,915.73	25.20	1,006.65	453.70	436.70	410.76	1,676.00	1,757.81
09/20/02 5:00 AM	750.86	1,003.73	1,915.82	25.48	1,006.88	453.42	436.81	411.69	1,676.00	1,760.75
09/20/02 6:00 AM	756.15	1,003.93	1,916.30	25.35	1,006.87	449.23	436.93	412.44	1,676.00	1,763.70
09/20/02 7:00 AM	758.59	1,003.98	1,916.78	24.73	1,006.60	449.28	437.04	413.19	1,676.00	1,766.64
09/20/02 8:00 AM	752.86	1,003.69	1,917.26	25.56	1,006.33	451.66	437.19	413.94	1,676.00	1,769.58
09/20/02 9:00 AM	751.89	1,003.84	1,917.73	25.85	1,006.06	452.65	437.48	414.69	1,676.00	1,772.52
09/20/02 10:00 AM	749.33	1,003.94	1,918.21	25.72	1,005.79	453.35	437.78	415.43	1,676.00	1,775.47
09/20/02 11:00 AM	751.69	1,003.78	1,918.69	25.78	1,005.53	454.09	438.09	416.18	1,676.00	1,777.36
09/20/02 12:00 PM	766.71	1,004.17	1,919.16	26.46	1,005.26	464.22	438.40	417.08	1,676.00	1,768.87
09/20/02 1:00 PM	767.49	1,004.04	1,919.50	26.44	1,004.99	465.05	438.71	418.31	1,676.00	1,757.80
09/20/02 2:00 PM	773.79	1,004.00	1,919.69	26.23	1,004.85	467.47	439.02	419.55	1,676.00	1,757.64
09/20/02 3:00 PM	775.24	1,003.80	1,919.88	26.38	1,004.86	470.79	439.34	420.21	1,676.00	1,765.50
09/20/02 4:00 PM	776.34	1,003.98	1,920.07	26.29	1,004.87	466.34	439.83	419.88	1,676.00	1,773.09
09/20/02 5:00 PM	771.47	1,003.97	1,920.26	26.95	1,004.87	460.57	440.39	419.53	1,676.00	1,774.84
09/20/02 6:00 PM	776.30	1,003.88	1,920.45	26.20	1,004.88	463.56	440.94	418.63	1,676.00	1,774.20
09/20/02 7:00 PM	780.83	1,004.02	1,920.64	25.93	1,004.89	464.92	441.50	417.00	1,676.00	1,773.57
09/20/02 8:00 PM	782.78	1,003.76	1,920.83	25.88	1,004.89	465.00	442.06	415.38	1,676.00	1,772.93
09/20/02 9:00 PM	760.62	1,004.33	1,921.08	24.53	1,004.90	452.02	442.62	416.09	1,676.00	1,772.29
09/20/02 10:00 PM	754.44	1,004.15	1,921.38	24.56	1,004.94	451.45	440.45	411.47	1,676.00	1,771.65
09/20/02 11:00 PM	757.13	1,003.91	1,921.69	24.82	1,005.01	450.76	437.13	405.39	1,676.00	1,771.01

Date	09/20/02 00:00:00								
Hour	Combustor Middle Temperature	Combustor Upper Temperature	Cyclone Outlet Temperature	RHII Outlet Gas Temperature	Economizer Inlet Gas Temperature	Economizer Outlet Gas Temperature	Baghouse Inlet Temperature	PA Air Heater Cold End Temperature	SA Air Heater Cold End Temperature
	DEG F	DEG F	DEG F	DEG F	DEG F	DEG F	DEG F	DEG F	DEG F
	SGAT3609	SGAT3612	SGAT3627	SGAT3637	SGAT3639	SGAT3640	EMP	AHT:U3_PAETAVG	AHT:U3_SAETAVG
09/20/02 12:00 AM	1,775.02	1,804.38	1,663.73	1,208.34	959.22	725.18	308.03	215.13	201.55
09/20/02 1:00 AM	1,768.75	1,784.79	1,664.06	1,210.93	961.41	727.40	310.87	216.29	203.24
09/20/02 2:00 AM	1,762.49	1,784.55	1,664.40	1,213.53	963.60	729.87	310.18	215.74	203.53
09/20/02 3:00 AM	1,756.80	1,787.57	1,664.73	1,216.12	965.80	732.35	310.88	215.93	203.26
09/20/02 4:00 AM	1,757.81	1,790.59	1,665.11	1,218.72	967.99	734.76	310.78	215.78	203.13
09/20/02 5:00 AM	1,760.75	1,793.61	1,665.84	1,220.98	970.17	735.47	309.99	215.36	202.85
09/20/02 6:00 AM	1,763.70	1,796.62	1,666.63	1,222.09	971.81	735.44	308.80	214.66	202.59
09/20/02 7:00 AM	1,766.64	1,799.64	1,667.42	1,223.10	973.16	735.42	310.96	215.63	203.90
09/20/02 8:00 AM	1,769.58	1,802.10	1,668.20	1,224.11	974.52	735.03	309.87	215.69	204.27
09/20/02 9:00 AM	1,772.52	1,801.38	1,668.99	1,225.13	975.88	733.95	307.84	214.88	204.18
09/20/02 10:00 AM	1,775.47	1,800.18	1,669.78	1,226.14	977.23	730.36	308.62	215.46	205.55
09/20/02 11:00 AM	1,777.36	1,798.97	1,670.57	1,227.16	978.59	731.08	309.83	216.55	205.59
09/20/02 12:00 PM	1,768.87	1,796.65	1,671.39	1,228.05	979.94	733.72	313.64	218.64	208.14
09/20/02 1:00 PM	1,757.80	1,790.20	1,672.40	1,228.52	981.27	730.01	315.39	219.96	210.98
09/20/02 2:00 PM	1,757.64	1,788.53	1,673.46	1,228.95	981.24	730.17	314.47	219.73	209.90
09/20/02 3:00 PM	1,765.50	1,794.39	1,674.51	1,229.38	980.53	730.38	313.66	219.24	208.23
09/20/02 4:00 PM	1,773.09	1,800.22	1,675.56	1,229.82	979.82	730.43	312.29	218.39	207.35
09/20/02 5:00 PM	1,774.84	1,804.12	1,676.61	1,230.25	979.11	729.94	311.69	217.76	206.64
09/20/02 6:00 PM	1,774.20	1,807.18	1,677.67	1,230.68	978.40	730.01	313.64	218.30	207.35
09/20/02 7:00 PM	1,773.57	1,810.25	1,678.72	1,231.12	977.69	732.00	312.45	217.29	205.99
09/20/02 8:00 PM	1,772.93	1,813.09	1,679.52	1,229.04	976.98	728.40	312.59	217.10	205.82
09/20/02 9:00 PM	1,772.29	1,812.49	1,679.21	1,220.15	975.39	720.70	311.08	216.20	203.35
09/20/02 10:00 PM	1,771.65	1,810.70	1,678.76	1,210.91	958.98	721.84	312.81	217.59	202.92
09/20/02 11:00 PM	1,771.01	1,808.92	1,678.31	1,209.80	956.29	725.01	309.84	216.13	200.70

Date	09/19/02 00:00:00									
Hour	MS Flow	MS Temperature	MS Pressure	RH Flow	RH Temperature	RH Pressure	PA Temperature	SA Temperature	Bed Temperature	Combustor Lower Temperature
	KLBS/HR	DEG F	PSIG	KLBS/HR	DEG F	PSIG	DEG F	DEG F	DEG F	DEG F
	MSTMFX1C	SGGT3001	SGGP3002	SGJF3001	SGJT3001	SGJP3002	SGBT3125	SGBT3019	BDTPSP1C	SGAT3609
09/19/02 12:00 AM	760.30	1,004.12	1,920.14	25.42	1,004.63	449.85	437.39	409.16	1,676.00	1,767.58
09/19/02 1:00 AM	756.45	1,003.85	1,919.47	25.46	1,004.79	450.22	437.36	409.89	1,676.00	1,767.15
09/19/02 2:00 AM	760.24	1,004.14	1,918.80	25.01	1,004.94	449.98	437.33	410.62	1,676.00	1,766.72
09/19/02 3:00 AM	762.22	1,003.84	1,918.13	25.20	1,005.10	449.54	437.30	411.35	1,676.00	1,766.37
09/19/02 4:00 AM	767.20	1,004.16	1,917.46	24.89	1,005.25	449.09	437.27	412.08	1,676.00	1,767.49
09/19/02 5:00 AM	760.72	1,003.77	1,917.39	24.58	1,005.40	452.42	437.24	412.80	1,676.00	1,769.17
09/19/02 6:00 AM	760.48	1,003.65	1,917.96	25.20	1,005.45	451.29	437.22	413.15	1,676.00	1,770.79
09/19/02 7:00 AM	763.78	1,004.00	1,918.53	25.25	1,005.37	449.70	437.32	412.80	1,676.00	1,771.45
09/19/02 8:00 AM	761.42	1,003.96	1,919.11	25.09	1,005.29	448.79	437.46	412.44	1,676.00	1,771.73
09/19/02 9:00 AM	761.03	1,004.12	1,919.68	25.09	1,005.21	447.89	437.60	412.97	1,676.00	1,772.00
09/19/02 10:00 AM	757.27	1,003.92	1,920.25	24.76	1,005.13	447.76	437.74	414.25	1,676.00	1,772.27
09/19/02 11:00 AM	757.99	1,003.69	1,920.83	24.92	1,005.05	448.81	437.88	415.54	1,676.00	1,772.55
09/19/02 12:00 PM	779.64	1,004.08	1,921.40	26.41	1,004.97	463.89	438.02	416.82	1,676.00	1,772.33
09/19/02 1:00 PM	782.95	1,003.54	1,921.46	26.47	1,004.90	467.57	438.16	418.11	1,676.00	1,768.25
09/19/02 2:00 PM	788.91	1,004.01	1,920.98	26.39	1,004.87	466.18	438.29	419.39	1,676.00	1,763.32
09/19/02 3:00 PM	787.79	1,003.99	1,920.51	26.31	1,004.91	465.84	438.37	420.55	1,676.00	1,758.40
09/19/02 4:00 PM	788.32	1,004.19	1,920.03	25.88	1,004.95	464.52	438.44	421.43	1,676.00	1,756.74
09/19/02 5:00 PM	785.30	1,003.75	1,919.55	26.02	1,004.99	465.80	438.51	421.35	1,676.00	1,758.09
09/19/02 6:00 PM	786.88	1,003.91	1,919.07	25.94	1,005.02	468.90	438.58	419.45	1,676.00	1,759.44
09/19/02 7:00 PM	785.97	1,003.93	1,918.60	25.87	1,005.06	470.06	438.65	417.51	1,676.00	1,761.01
09/19/02 8:00 PM	780.22	1,004.03	1,918.12	25.94	1,005.10	469.85	438.72	415.56	1,676.00	1,765.98
09/19/02 9:00 PM	757.67	1,004.59	1,917.74	24.98	1,005.14	454.75	438.75	413.43	1,676.00	1,772.15
09/19/02 10:00 PM	751.46	1,003.72	1,917.45	25.21	1,005.27	454.69	438.06	408.36	1,676.00	1,778.31
09/19/02 11:00 PM	751.72	1,003.99	1,917.17	25.25	1,005.50	453.75	437.12	404.38	1,676.00	1,780.92

Date	09/19/02 00:00:00								
Hour	Combustor Middle Temperature	Combustor Upper Temperature	Cyclone Outlet Temperature	RHII Outlet Gas Temperature	Economizer Inlet Gas Temperature	Economizer Outlet Gas Temperature	Baghouse Inlet Temperature	PA Air Heater Cold End Temperature	SA Air Heater Cold End Temperature
	DEG F	DEG F	DEG F	DEG F	DEG F	DEG F	DEG F	DEG F	DEG F
	SGAT3609	SGAT3612	SGAT3627	SGAT3637	SGAT3639	SGAT3640	EMP	AHT:U3_PAETAVG	AHT:U3_SAETAVG
09/19/02 12:00 AM	1,767.58	1,798.13	1,664.60	1,212.60	962.23	724.03	309.79	216.32	202.46
09/19/02 1:00 AM	1,767.15	1,796.44	1,664.85	1,214.20	963.69	725.77	309.96	215.76	203.21
09/19/02 2:00 AM	1,766.72	1,794.75	1,665.09	1,215.80	965.15	727.52	310.53	215.32	203.48
09/19/02 3:00 AM	1,766.37	1,793.23	1,665.34	1,217.40	966.60	729.26	310.17	214.87	202.74
09/19/02 4:00 AM	1,767.49	1,794.77	1,665.54	1,219.00	968.06	731.01	308.70	213.60	202.16
09/19/02 5:00 AM	1,769.17	1,797.43	1,664.62	1,220.56	969.47	732.62	310.72	214.16	202.37
09/19/02 6:00 AM	1,770.79	1,799.92	1,663.25	1,221.16	970.53	733.46	307.82	212.53	200.98
09/19/02 7:00 AM	1,771.45	1,801.28	1,661.88	1,221.35	971.51	734.18	304.32	210.29	199.47
09/19/02 8:00 AM	1,771.73	1,802.00	1,660.51	1,221.54	972.49	734.90	307.09	212.22	200.78
09/19/02 9:00 AM	1,772.00	1,801.83	1,659.13	1,221.74	973.48	735.62	309.69	214.14	203.16
09/19/02 10:00 AM	1,772.27	1,801.63	1,657.76	1,221.93	974.46	736.34	312.12	216.13	206.66
09/19/02 11:00 AM	1,772.55	1,801.42	1,656.39	1,222.13	975.44	737.06	313.02	218.05	207.93
09/19/02 12:00 PM	1,772.33	1,801.01	1,655.21	1,222.32	976.42	737.26	313.87	219.68	209.60
09/19/02 1:00 PM	1,768.25	1,798.87	1,655.75	1,222.48	977.15	735.85	314.27	220.68	209.83
09/19/02 2:00 PM	1,763.32	1,796.35	1,656.70	1,221.97	975.88	734.32	312.86	217.23	208.29
09/19/02 3:00 PM	1,758.40	1,793.88	1,657.64	1,221.18	974.20	732.80	312.60	218.25	208.56
09/19/02 4:00 PM	1,756.74	1,792.87	1,658.59	1,220.40	972.51	730.67	316.09	220.84	212.27
09/19/02 5:00 PM	1,758.09	1,792.58	1,659.53	1,219.61	970.83	726.12	314.30	219.93	209.29
09/19/02 6:00 PM	1,759.44	1,792.30	1,660.47	1,218.82	969.15	723.39	313.75	219.69	208.25
09/19/02 7:00 PM	1,761.01	1,792.11	1,661.42	1,218.03	967.47	723.16	313.31	219.15	206.74
09/19/02 8:00 PM	1,765.98	1,793.28	1,662.30	1,217.24	965.78	723.00	313.83	218.55	206.27
09/19/02 9:00 PM	1,772.15	1,794.92	1,662.72	1,207.85	960.38	718.96	316.11	219.80	205.43
09/19/02 10:00 PM	1,778.31	1,798.28	1,663.06	1,203.15	954.83	720.99	306.32	214.79	199.50
09/19/02 11:00 PM	1,780.92	1,805.74	1,663.39	1,205.74	957.02	723.09	305.36	214.29	199.16

Date	09/18/02 00:00:00									
Hour	MS Flow	MS Temperature	MS Pressure	RH Flow	RH Temperature	RH Pressure	PA Temperature	SA Temperature	Bed Temperature	Combustor Lower Temperature
	KLBS/HR	DEG F	PSIG	KLBS/HR	DEG F	PSIG	DEG F	DEG F	DEG F	DEG F
	MSTMFX1C	SGGT3001	SGGP3002	SGJF3001	SGJT3001	SGJP3002	SGBT3125	SGBT3019	BDTPSP1C	SGAT3609
09/18/02 12:00 AM	716.99	1,003.97	1,918.64	22.93	1,005.19	423.81	438.56	408.40	1,656.00	1,756.97
09/18/02 1:00 AM	745.98	1,003.87	1,918.64	24.18	1,005.44	442.56	438.93	410.57	1,656.00	1,758.17
09/18/02 2:00 AM	759.45	1,004.26	1,918.64	24.46	1,005.69	451.49	438.99	412.74	1,657.07	1,759.37
09/18/02 3:00 AM	764.07	1,004.02	1,918.64	24.21	1,005.95	452.92	438.97	414.91	1,659.60	1,760.57
09/18/02 4:00 AM	765.95	1,004.06	1,919.37	24.38	1,006.20	451.54	438.95	416.88	1,662.14	1,761.77
09/18/02 5:00 AM	763.59	1,003.69	1,923.25	24.71	1,006.45	454.12	438.93	417.68	1,664.68	1,763.25
09/18/02 6:00 AM	765.63	1,004.13	1,923.36	24.65	1,006.67	453.00	438.91	418.30	1,667.22	1,764.88
09/18/02 7:00 AM	770.30	1,004.08	1,923.45	24.69	1,006.82	453.88	438.90	418.91	1,669.76	1,766.52
09/18/02 8:00 AM	771.58	1,004.20	1,923.55	24.38	1,006.98	451.84	438.88	419.58	1,672.29	1,768.15
09/18/02 9:00 AM	757.13	1,003.79	1,923.64	23.80	1,007.14	443.54	438.89	420.39	1,674.83	1,769.79
09/18/02 10:00 AM	765.89	1,004.16	1,923.74	24.67	1,007.30	452.73	439.19	421.21	1,676.00	1,769.65
09/18/02 11:00 AM	766.95	1,003.93	1,923.84	24.62	1,007.46	453.28	439.58	422.02	1,676.00	1,762.91
09/18/02 12:00 PM	784.22	1,004.21	1,923.93	25.57	1,007.62	463.90	439.97	422.54	1,676.00	1,761.45
09/18/02 1:00 PM	785.98	1,003.82	1,923.89	25.77	1,007.78	468.27	440.35	422.61	1,676.00	1,763.03
09/18/02 2:00 PM	786.17	1,004.02	1,923.70	25.51	1,007.66	469.59	440.74	422.68	1,676.00	1,764.60
09/18/02 3:00 PM	786.57	1,004.01	1,923.51	25.74	1,007.21	470.29	441.13	422.75	1,676.00	1,766.18
09/18/02 4:00 PM	786.57	1,004.10	1,923.32	25.97	1,006.75	470.47	441.51	422.82	1,676.00	1,767.76
09/18/02 5:00 PM	782.68	1,004.00	1,923.13	25.95	1,006.30	469.83	441.94	422.89	1,676.00	1,769.33
09/18/02 6:00 PM	781.41	1,003.90	1,922.94	26.05	1,005.85	469.19	442.81	422.53	1,676.00	1,770.91
09/18/02 7:00 PM	780.43	1,004.14	1,922.75	27.00	1,005.40	468.55	443.79	420.80	1,676.00	1,771.68
09/18/02 8:00 PM	779.16	1,004.15	1,922.56	26.45	1,004.94	467.90	444.78	420.00	1,676.00	1,770.48
09/18/02 9:00 PM	757.96	1,004.73	1,922.14	25.16	1,004.49	453.65	444.45	419.89	1,676.00	1,769.21
09/18/02 10:00 PM	756.51	1,003.69	1,921.47	25.46	1,004.32	450.22	438.77	408.02	1,676.00	1,768.44
09/18/02 11:00 PM	750.94	1,003.66	1,920.80	25.68	1,004.48	449.27	437.42	408.44	1,676.00	1,768.01

Date	09/18/02 00:00:00								
Hour	Combustor Middle Temperature	Combustor Upper Temperature	Cyclone Outlet Temperature	RHII Outlet Gas Temperature	Economizer Inlet Gas Temperature	Economizer Outlet Gas Temperature	Baghouse Inlet Temperature	PA Air Heater Cold End Temperature	SA Air Heater Cold End Temperature
	DEG F	DEG F	DEG F	DEG F	DEG F	DEG F	DEG F	DEG F	DEG F
	SGAT3609	SGAT3612	SGAT3627	SGAT3637	SGAT3639	SGAT3640	EMP	AHT:U3_PAETAVG	AHT:U3_SAETAVG
09/18/02 12:00 AM	1,756.97	1,781.49	1,652.75	1,204.23	966.91	724.41	304.68	212.08	203.27
09/18/02 1:00 AM	1,758.17	1,777.02	1,652.49	1,208.15	972.09	732.85	306.53	212.85	203.27
09/18/02 2:00 AM	1,759.37	1,781.69	1,652.23	1,212.08	972.76	739.32	310.54	214.71	204.03
09/18/02 3:00 AM	1,760.57	1,789.16	1,651.97	1,216.00	973.09	740.20	310.57	214.77	204.14
09/18/02 4:00 AM	1,761.77	1,796.62	1,651.73	1,218.78	973.42	740.86	309.99	214.31	203.43
09/18/02 5:00 AM	1,763.25	1,801.45	1,651.89	1,218.37	973.74	741.52	307.01	212.02	202.05
09/18/02 6:00 AM	1,764.88	1,800.49	1,652.22	1,217.77	974.07	742.18	305.93	210.82	202.33
09/18/02 7:00 AM	1,766.52	1,799.33	1,652.54	1,217.17	974.40	742.84	307.20	211.59	202.46
09/18/02 8:00 AM	1,768.15	1,798.17	1,652.87	1,216.57	974.73	743.49	311.16	213.79	205.36
09/18/02 9:00 AM	1,769.79	1,797.00	1,653.20	1,216.38	975.23	742.95	310.62	214.79	207.69
09/18/02 10:00 AM	1,769.65	1,797.40	1,653.53	1,217.33	976.08	744.60	310.27	216.12	207.76
09/18/02 11:00 AM	1,762.91	1,800.72	1,653.85	1,218.35	976.93	747.04	309.82	216.44	207.75
09/18/02 12:00 PM	1,761.45	1,801.03	1,654.21	1,219.38	977.78	748.04	314.29	219.40	211.47
09/18/02 1:00 PM	1,763.03	1,800.28	1,655.14	1,220.40	978.63	747.69	314.43	220.46	212.61
09/18/02 2:00 PM	1,764.60	1,799.52	1,656.32	1,221.42	979.46	747.23	315.47	221.17	213.72
09/18/02 3:00 PM	1,766.18	1,798.77	1,657.49	1,222.44	979.24	745.09	315.72	221.26	213.45
09/18/02 4:00 PM	1,767.76	1,798.01	1,658.67	1,223.47	978.44	742.38	315.79	220.65	212.80
09/18/02 5:00 PM	1,769.33	1,797.26	1,659.85	1,223.90	977.65	739.85	315.08	219.77	211.82
09/18/02 6:00 PM	1,770.91	1,796.50	1,661.02	1,223.22	976.85	739.58	314.57	219.13	210.68
09/18/02 7:00 PM	1,771.68	1,793.77	1,662.20	1,222.52	976.06	739.97	310.82	217.03	206.38
09/18/02 8:00 PM	1,770.48	1,790.59	1,663.35	1,221.82	975.27	740.19	313.02	217.61	207.06
09/18/02 9:00 PM	1,769.21	1,797.74	1,663.86	1,215.57	966.00	731.95	316.63	219.93	207.36
09/18/02 10:00 PM	1,768.44	1,801.51	1,664.10	1,209.40	959.32	725.66	307.00	215.24	201.34
09/18/02 11:00 PM	1,768.01	1,799.82	1,664.35	1,211.00	960.78	722.66	307.59	215.27	201.72

Date	09/17/02 00:00:00									
Hour	MS Flow	MS Temperature	MS Pressure	RH Flow	RH Temperature	RH Pressure	PA Temperature	SA Temperature	Bed Temperature	Combustor Lower Temperature
	KLBS/HR	DEG F	PSIG	KLBS/HR	DEG F	PSIG	DEG F	DEG F	DEG F	DEG F
	MSTMFX1C	SGGT3001	SGGP3002	SGJF3001	SGJT3001	SGJP3002	SGBT3125	SGBT3019	BDTPSP1C	SGAT3609
09/17/02 12:00 AM	716.30	1,003.89	1,915.51	22.49	1,004.82	419.81	441.76	404.96	1,656.00	1,780.58
09/17/02 1:00 AM	720.06	1,004.00	1,914.60	22.06	1,004.95	418.15	442.10	405.45	1,656.00	1,780.18
09/17/02 2:00 AM	718.07	1,003.75	1,913.70	22.41	1,005.08	416.49	442.86	405.95	1,656.00	1,780.31
09/17/02 3:00 AM	713.68	1,004.36	1,912.79	22.53	1,005.21	414.84	443.62	406.44	1,656.00	1,781.49
09/17/02 4:00 AM	711.51	1,004.45	1,912.76	22.44	1,005.34	419.11	441.72	402.85	1,656.00	1,782.70
09/17/02 5:00 AM	742.27	1,003.95	1,913.18	23.59	1,005.47	440.95	438.89	399.31	1,656.00	1,783.90
09/17/02 6:00 AM	745.94	1,004.25	1,913.94	23.88	1,005.57	452.99	442.05	404.12	1,656.00	1,778.83
09/17/02 7:00 AM	745.39	1,004.04	1,914.70	24.32	1,005.62	451.63	445.04	408.29	1,656.00	1,766.87
09/17/02 8:00 AM	746.66	1,003.77	1,915.47	24.80	1,005.66	452.08	445.24	410.02	1,656.00	1,765.21
09/17/02 9:00 AM	752.13	1,004.13	1,916.23	25.01	1,005.71	453.66	444.95	411.55	1,656.00	1,774.44
09/17/02 10:00 AM	751.07	1,003.74	1,916.99	24.93	1,005.75	455.22	444.65	413.08	1,656.00	1,783.59
09/17/02 11:00 AM	754.31	1,004.14	1,917.75	24.47	1,005.80	456.77	444.35	414.67	1,656.00	1,779.25
09/17/02 12:00 PM	757.63	1,003.98	1,918.47	25.17	1,005.85	457.74	444.06	416.46	1,656.00	1,765.25
09/17/02 1:00 PM	765.31	1,003.97	1,918.64	24.87	1,005.89	458.03	443.76	418.27	1,656.00	1,759.01
09/17/02 2:00 PM	772.78	1,003.93	1,918.64	25.33	1,005.84	460.83	443.46	419.37	1,656.00	1,762.83
09/17/02 3:00 PM	775.71	1,003.91	1,918.64	25.03	1,005.67	464.06	443.10	419.20	1,656.00	1,766.69
09/17/02 4:00 PM	776.81	1,003.97	1,918.64	24.78	1,005.50	463.28	442.27	419.00	1,656.00	1,757.76
09/17/02 5:00 PM	769.79	1,003.75	1,918.64	25.26	1,005.33	462.23	441.37	418.65	1,656.00	1,758.98
09/17/02 6:00 PM	775.76	1,003.97	1,918.64	25.65	1,005.16	463.53	440.47	417.83	1,656.00	1,765.49
09/17/02 7:00 PM	780.80	1,003.80	1,918.64	25.74	1,005.00	468.32	439.56	416.99	1,656.00	1,760.52
09/17/02 8:00 PM	776.08	1,003.76	1,918.64	25.56	1,004.83	467.85	438.66	416.18	1,656.00	1,754.72
09/17/02 9:00 PM	744.12	1,004.93	1,918.64	23.48	1,004.66	437.69	437.78	415.09	1,656.00	1,751.60
09/17/02 10:00 PM	724.55	1,003.56	1,918.64	22.89	1,004.68	423.79	437.76	405.75	1,656.00	1,754.46
09/17/02 11:00 PM	717.65	1,003.93	1,918.64	22.96	1,004.93	423.28	438.16	406.23	1,656.00	1,755.78

Date	09/17/02 00:00:00								
Hour	Combustor Middle Temperature	Combustor Upper Temperature	Cyclone Outlet Temperature	RHII Outlet Gas Temperature	Economizer Inlet Gas Temperature	Economizer Outlet Gas Temperature	Baghouse Inlet Temperature	PA Air Heater Cold End Temperature	SA Air Heater Cold End Temperature
	DEG F	DEG F	DEG F	DEG F	DEG F	DEG F	DEG F	DEG F	DEG F
	SGAT3609	SGAT3612	SGAT3627	SGAT3637	SGAT3639	SGAT3640	EMP	AHT:U3_PAETAVG	AHT:U3_SAETAVG
09/17/02 12:00 AM	1,780.58	1,805.10	1,649.63	1,211.66	978.61	732.38	308.73	214.32	202.95
09/17/02 1:00 AM	1,780.18	1,803.66	1,648.64	1,210.08	979.20	736.16	310.61	214.70	203.69
09/17/02 2:00 AM	1,780.31	1,804.36	1,647.65	1,208.50	979.79	726.66	307.87	212.87	201.91
09/17/02 3:00 AM	1,781.49	1,809.12	1,646.67	1,206.93	980.39	722.52	305.86	211.25	201.11
09/17/02 4:00 AM	1,782.70	1,813.97	1,645.69	1,209.99	959.21	724.90	308.95	213.27	199.54
09/17/02 5:00 AM	1,783.90	1,818.63	1,645.41	1,216.15	963.30	736.51	306.07	211.60	197.10
09/17/02 6:00 AM	1,778.83	1,800.88	1,645.66	1,217.90	968.02	738.59	312.06	214.76	199.10
09/17/02 7:00 AM	1,766.87	1,781.20	1,645.91	1,219.29	971.49	740.28	312.57	215.25	200.00
09/17/02 8:00 AM	1,765.21	1,791.64	1,646.16	1,220.67	972.68	741.96	310.18	214.25	199.28
09/17/02 9:00 AM	1,774.44	1,803.19	1,646.40	1,222.05	973.82	743.64	310.96	216.48	201.14
09/17/02 10:00 AM	1,783.59	1,811.72	1,646.65	1,223.43	974.95	745.33	312.42	218.46	204.80
09/17/02 11:00 AM	1,779.25	1,801.47	1,646.90	1,224.81	976.09	747.01	316.61	221.97	209.50
09/17/02 12:00 PM	1,765.25	1,787.97	1,647.15	1,226.19	977.22	748.69	319.16	223.84	212.26
09/17/02 1:00 PM	1,759.01	1,781.07	1,647.72	1,227.01	978.36	742.71	318.39	223.79	213.62
09/17/02 2:00 PM	1,762.83	1,782.90	1,648.52	1,225.87	979.49	740.91	315.91	222.56	211.63
09/17/02 3:00 PM	1,766.69	1,784.78	1,649.32	1,224.57	979.75	741.43	315.86	222.33	210.42
09/17/02 4:00 PM	1,757.76	1,772.46	1,650.13	1,223.27	978.39	741.96	317.52	222.51	212.34
09/17/02 5:00 PM	1,758.98	1,773.73	1,650.93	1,221.98	977.00	741.82	316.93	221.62	209.68
09/17/02 6:00 PM	1,765.49	1,785.37	1,651.73	1,220.68	975.60	739.78	313.25	219.79	206.51
09/17/02 7:00 PM	1,760.52	1,800.24	1,652.53	1,219.38	974.21	737.62	311.04	217.14	205.81
09/17/02 8:00 PM	1,754.72	1,805.79	1,653.33	1,218.08	972.82	735.45	311.00	216.40	205.57
09/17/02 9:00 PM	1,751.60	1,798.08	1,653.52	1,209.94	962.82	725.44	312.21	217.07	205.34
09/17/02 10:00 PM	1,754.46	1,791.86	1,653.26	1,201.92	953.76	721.06	304.40	213.07	200.97
09/17/02 11:00 PM	1,755.78	1,786.67	1,653.01	1,200.49	960.33	722.34	304.41	212.77	202.05

Date	09/16/02 00:00:00									
Hour	MS Flow	MS Temperature	MS Pressure	RH Flow	RH Temperature	RH Pressure	PA Temperature	SA Temperature	Bed Temperature	Combustor Lower Temperature
	KLBS/HR	DEG F	PSIG	KLBS/HR	DEG F	PSIG	DEG F	DEG F	DEG F	DEG F
	MSTMFX1C	SGGT3001	SGGP3002	SGJF3001	SGJT3001	SGJP3002	SGBT3125	SGBT3019	BDTPSP1C	SGAT3609
09/16/02 12:00 AM	740.38	1,004.33	1,917.01	23.44	1,004.76	440.52	438.08	412.23	1,656.00	1,773.12
09/16/02 1:00 AM	739.19	1,003.91	1,917.20	23.29	1,004.82	442.82	438.71	413.75	1,656.00	1,758.47
09/16/02 2:00 AM	751.09	1,004.05	1,917.39	24.04	1,004.88	450.26	439.34	415.27	1,656.00	1,761.07
09/16/02 3:00 AM	753.66	1,003.91	1,917.58	23.47	1,004.95	453.70	439.85	416.79	1,656.00	1,764.77
09/16/02 4:00 AM	754.64	1,004.06	1,917.77	23.80	1,005.01	456.15	439.20	418.12	1,656.00	1,757.17
09/16/02 5:00 AM	754.03	1,004.44	1,917.88	23.89	1,005.07	456.23	438.54	413.32	1,656.00	1,757.62
09/16/02 6:00 AM	753.71	1,003.98	1,917.88	23.50	1,005.18	454.72	438.64	407.49	1,656.00	1,758.77
09/16/02 7:00 AM	749.16	1,004.00	1,917.88	23.49	1,005.33	453.18	438.80	409.87	1,656.00	1,759.93
09/16/02 8:00 AM	751.07	1,004.05	1,917.88	23.53	1,005.48	451.63	438.95	412.25	1,656.00	1,761.09
09/16/02 9:00 AM	753.52	1,003.85	1,917.88	23.59	1,005.64	452.71	439.11	414.63	1,656.00	1,762.25
09/16/02 10:00 AM	756.45	1,004.04	1,917.88	23.49	1,005.79	454.08	439.33	416.97	1,656.00	1,761.86
09/16/02 11:00 AM	758.65	1,004.04	1,917.88	23.57	1,005.94	456.82	439.82	418.35	1,656.00	1,758.97
09/16/02 12:00 PM	766.31	1,003.82	1,917.88	24.38	1,006.10	458.97	440.35	419.31	1,656.00	1,756.06
09/16/02 1:00 PM	770.76	1,003.85	1,917.92	24.67	1,006.25	460.02	440.87	420.28	1,656.00	1,768.50
09/16/02 2:00 PM	772.55	1,003.78	1,918.02	24.61	1,006.24	461.38	441.39	421.25	1,656.00	1,773.07
09/16/02 3:00 PM	778.91	1,003.97	1,918.11	24.71	1,006.01	463.40	441.91	422.21	1,656.00	1,765.61
09/16/02 4:00 PM	774.89	1,003.81	1,918.21	24.57	1,005.78	464.93	442.43	423.12	1,656.00	1,759.03
09/16/02 5:00 PM	770.57	1,004.09	1,918.30	24.68	1,005.55	466.21	442.95	421.25	1,656.00	1,758.65
09/16/02 6:00 PM	772.17	1,003.83	1,918.40	24.80	1,005.32	467.50	443.33	417.90	1,656.00	1,761.88
09/16/02 7:00 PM	779.11	1,003.77	1,918.49	24.98	1,005.09	467.94	443.12	414.55	1,656.00	1,765.06
09/16/02 8:00 PM	774.28	1,003.81	1,918.59	25.27	1,004.86	464.62	442.85	411.49	1,656.00	1,765.91
09/16/02 9:00 PM	736.79	1,004.17	1,918.22	22.72	1,004.63	432.13	442.58	409.01	1,656.00	1,769.58
09/16/02 10:00 PM	724.84	1,003.69	1,917.32	22.46	1,004.56	423.89	442.30	406.55	1,656.00	1,777.35
09/16/02 11:00 PM	720.39	1,004.04	1,916.41	22.40	1,004.69	421.47	442.03	404.67	1,656.00	1,780.98

Date	09/16/02 00:00:00								
Hour	Combustor Middle Temperature	Combustor Upper Temperature	Cyclone Outlet Temperature	RHII Outlet Gas Temperature	Economizer Inlet Gas Temperature	Economizer Outlet Gas Temperature	Baghouse Inlet Temperature	PA Air Heater Cold End Temperature	SA Air Heater Cold End Temperature
	DEG F	DEG F	DEG F	DEG F	DEG F	DEG F	DEG F	DEG F	DEG F
	SGAT3609	SGAT3612	SGAT3627	SGAT3637	SGAT3639	SGAT3640	EMP	AHT:U3_PAETAVG	AHT:U3_SAETAVG
09/16/02 12:00 AM	1,773.12	1,792.89	1,648.46	1,229.18	985.60	734.76	306.98	211.26	201.75
09/16/02 1:00 AM	1,758.47	1,780.38	1,648.91	1,228.84	984.86	730.99	310.59	213.04	202.48
09/16/02 2:00 AM	1,761.07	1,778.93	1,649.36	1,228.45	984.10	732.56	308.53	211.51	202.12
09/16/02 3:00 AM	1,764.77	1,780.90	1,649.81	1,224.41	983.34	740.10	310.17	212.40	203.60
09/16/02 4:00 AM	1,757.17	1,782.88	1,650.27	1,218.06	982.58	736.46	311.01	213.21	205.15
09/16/02 5:00 AM	1,757.62	1,784.85	1,651.07	1,215.03	971.42	723.24	310.19	213.34	201.60
09/16/02 6:00 AM	1,758.77	1,786.83	1,652.15	1,216.53	971.53	725.50	303.81	209.62	197.94
09/16/02 7:00 AM	1,759.93	1,788.80	1,653.23	1,218.05	973.10	727.88	304.19	209.53	198.43
09/16/02 8:00 AM	1,761.09	1,790.71	1,654.31	1,219.58	974.66	730.27	305.45	210.35	200.03
09/16/02 9:00 AM	1,762.25	1,786.47	1,655.38	1,221.11	976.23	732.66	307.06	211.98	202.52
09/16/02 10:00 AM	1,761.86	1,782.33	1,656.46	1,222.63	977.79	735.05	310.64	214.56	205.37
09/16/02 11:00 AM	1,758.97	1,785.66	1,657.54	1,224.16	979.36	737.43	311.75	215.96	207.38
09/16/02 12:00 PM	1,756.06	1,789.13	1,658.61	1,225.69	980.92	739.03	313.72	217.99	210.24
09/16/02 1:00 PM	1,768.50	1,791.75	1,658.65	1,226.47	981.64	739.31	312.77	218.41	210.45
09/16/02 2:00 PM	1,773.07	1,793.24	1,657.91	1,226.50	980.99	739.54	312.99	219.09	210.64
09/16/02 3:00 PM	1,765.61	1,794.74	1,657.17	1,226.54	980.32	739.31	312.63	218.85	211.18
09/16/02 4:00 PM	1,759.03	1,793.51	1,656.43	1,226.58	979.66	739.62	313.81	219.67	212.33
09/16/02 5:00 PM	1,758.65	1,785.33	1,655.69	1,226.62	978.99	740.17	315.80	220.73	213.78
09/16/02 6:00 PM	1,761.88	1,790.20	1,654.94	1,226.66	978.32	740.28	315.92	220.79	212.55
09/16/02 7:00 PM	1,765.06	1,792.42	1,654.20	1,226.70	977.66	737.74	313.95	218.74	209.47
09/16/02 8:00 PM	1,765.91	1,788.52	1,653.46	1,226.73	976.99	739.09	312.01	217.41	204.32
09/16/02 9:00 PM	1,769.58	1,791.45	1,652.58	1,224.11	976.84	731.89	311.77	216.94	204.06
09/16/02 10:00 PM	1,777.35	1,802.06	1,651.60	1,218.86	977.42	725.63	308.92	215.22	202.64
09/16/02 11:00 PM	1,780.98	1,806.54	1,650.61	1,213.91	978.02	732.03	308.83	214.64	203.11

Date	09/15/02 00:00:00									
Hour	MS Flow	MS Temperature	MS Pressure	RH Flow	RH Temperature	RH Pressure	PA Temperature	SA Temperature	Bed Temperature	Combustor Lower Temperature
	KLBS/HR	DEG F	PSIG	KLBS/HR	DEG F	PSIG	DEG F	DEG F	DEG F	DEG F
	MSTMFX1C	SGGT3001	SGGP3002	SGJF3001	SGJT3001	SGJP3002	SGBT3125	SGBT3019	BDTPSP1C	SGAT3609
09/15/02 12:00 AM	751.98	1,003.86	1,917.55	24.43	1,005.88	446.16	442.59	409.73	1,656.00	1,774.78
09/15/02 1:00 AM	747.58	1,004.05	1,917.96	24.41	1,005.75	442.31	443.31	411.63	1,656.00	1,779.81
09/15/02 2:00 AM	747.92	1,004.66	1,918.36	23.95	1,005.63	442.61	444.03	413.53	1,656.00	1,780.36
09/15/02 3:00 AM	748.61	1,004.13	1,918.77	24.19	1,005.50	443.96	441.83	410.80	1,656.00	1,772.60
09/15/02 4:00 AM	751.46	1,003.63	1,919.17	24.44	1,005.38	445.46	441.80	407.67	1,656.00	1,766.18
09/15/02 5:00 AM	754.38	1,003.77	1,919.49	24.69	1,005.26	454.06	442.12	408.67	1,656.00	1,766.16
09/15/02 6:00 AM	750.95	1,004.03	1,919.68	24.72	1,005.26	452.27	442.44	409.67	1,656.00	1,766.87
09/15/02 7:00 AM	750.72	1,004.12	1,919.87	24.38	1,005.45	449.53	442.75	410.67	1,656.00	1,767.55
09/15/02 8:00 AM	744.59	1,003.62	1,920.06	24.47	1,005.64	446.62	442.59	411.67	1,656.00	1,766.43
09/15/02 9:00 AM	748.13	1,004.06	1,920.25	24.57	1,005.83	446.74	442.10	412.67	1,656.00	1,764.20
09/15/02 10:00 AM	749.81	1,004.17	1,920.44	24.13	1,006.02	447.15	441.62	414.05	1,656.00	1,761.98
09/15/02 11:00 AM	749.88	1,003.83	1,920.63	24.33	1,006.21	448.58	441.14	415.88	1,656.00	1,762.79
09/15/02 12:00 PM	768.18	1,003.75	1,920.82	25.48	1,006.39	461.56	440.66	417.72	1,656.00	1,766.46
09/15/02 1:00 PM	775.36	1,004.13	1,920.67	25.24	1,006.58	464.09	440.18	419.02	1,656.00	1,770.01
09/15/02 2:00 PM	782.01	1,004.19	1,920.10	24.95	1,006.58	464.89	439.70	419.74	1,656.00	1,772.31
09/15/02 3:00 PM	774.73	1,003.75	1,919.53	25.29	1,006.32	467.74	439.22	420.27	1,656.00	1,774.28
09/15/02 4:00 PM	774.41	1,003.75	1,918.96	25.40	1,006.06	468.77	438.75	419.30	1,656.00	1,774.88
09/15/02 5:00 PM	776.01	1,003.97	1,918.39	25.36	1,005.80	467.33	438.27	417.99	1,656.00	1,772.80
09/15/02 6:00 PM	774.55	1,004.04	1,917.81	25.30	1,005.54	465.08	437.80	416.69	1,656.00	1,770.53
09/15/02 7:00 PM	776.73	1,003.93	1,917.24	25.00	1,005.28	462.80	437.32	415.61	1,656.00	1,764.70
09/15/02 8:00 PM	775.57	1,004.34	1,916.67	25.19	1,005.01	462.85	436.85	414.81	1,656.00	1,760.21
09/15/02 9:00 PM	747.95	1,003.93	1,916.44	23.45	1,004.75	443.62	436.43	411.80	1,656.00	1,764.07
09/15/02 10:00 PM	745.77	1,004.04	1,916.63	23.13	1,004.63	438.81	436.81	409.35	1,656.00	1,768.42
09/15/02 11:00 PM	742.67	1,004.14	1,916.82	23.40	1,004.69	439.67	437.44	410.71	1,656.00	1,772.76

Date	09/15/02 00:00:00								
Hour	Combustor Middle Temperature	Combustor Upper Temperature	Cyclone Outlet Temperature	RHII Outlet Gas Temperature	Economizer Inlet Gas Temperature	Economizer Outlet Gas Temperature	Baghouse Inlet Temperature	PA Air Heater Cold End Temperature	SA Air Heater Cold End Temperature
	DEG F	DEG F	DEG F	DEG F	DEG F	DEG F	DEG F	DEG F	DEG F
	SGAT3609	SGAT3612	SGAT3627	SGAT3637	SGAT3639	SGAT3640	EMP	AHT:U3_PAETAVG	AHT:U3_SAETAVG
09/15/02 12:00 AM	1,774.78	1,805.56	1,654.90	1,225.63	984.99	738.20	304.32	208.06	198.60
09/15/02 1:00 AM	1,779.81	1,805.98	1,654.74	1,224.76	983.57	737.69	305.55	209.12	199.06
09/15/02 2:00 AM	1,780.36	1,804.65	1,654.57	1,223.50	982.15	737.59	308.90	210.97	200.81
09/15/02 3:00 AM	1,772.60	1,799.52	1,654.41	1,209.64	968.31	729.79	312.20	214.03	200.38
09/15/02 4:00 AM	1,766.18	1,795.67	1,654.24	1,211.95	968.95	727.86	307.82	212.74	199.05
09/15/02 5:00 AM	1,766.16	1,797.84	1,653.95	1,214.25	971.42	724.56	306.11	212.28	199.08
09/15/02 6:00 AM	1,766.87	1,800.69	1,653.35	1,216.55	973.90	725.73	306.71	212.85	199.38
09/15/02 7:00 AM	1,767.55	1,803.32	1,652.74	1,218.85	976.37	729.78	307.97	213.20	200.27
09/15/02 8:00 AM	1,766.43	1,802.00	1,652.13	1,221.16	978.85	733.83	308.67	213.27	201.44
09/15/02 9:00 AM	1,764.20	1,799.21	1,651.52	1,223.46	981.32	737.88	308.26	213.62	202.37
09/15/02 10:00 AM	1,761.98	1,797.55	1,650.92	1,225.76	983.79	741.93	313.70	217.32	206.49
09/15/02 11:00 AM	1,762.79	1,796.81	1,650.31	1,227.09	985.60	743.99	313.36	217.71	206.93
09/15/02 12:00 PM	1,766.46	1,796.08	1,649.70	1,227.63	985.96	744.41	311.14	216.53	207.15
09/15/02 1:00 PM	1,770.01	1,796.85	1,649.22	1,228.16	986.27	744.83	312.58	217.54	209.81
09/15/02 2:00 PM	1,772.31	1,798.87	1,648.92	1,228.70	986.59	745.25	315.57	219.31	212.81
09/15/02 3:00 PM	1,774.28	1,800.88	1,648.61	1,229.24	986.90	745.53	313.35	218.88	211.90
09/15/02 4:00 PM	1,774.88	1,801.63	1,648.30	1,229.77	987.22	744.78	312.14	218.83	210.85
09/15/02 5:00 PM	1,772.80	1,801.03	1,648.00	1,230.31	987.53	743.81	310.07	214.69	206.25
09/15/02 6:00 PM	1,770.53	1,800.14	1,647.69	1,230.84	987.85	742.85	307.20	210.45	202.36
09/15/02 7:00 PM	1,764.70	1,790.66	1,647.39	1,230.90	987.92	741.88	310.71	212.28	205.37
09/15/02 8:00 PM	1,760.21	1,786.66	1,647.08	1,230.55	987.49	740.90	309.16	212.23	204.02
09/15/02 9:00 PM	1,764.07	1,797.10	1,647.11	1,230.21	987.03	739.74	306.08	210.97	201.03
09/15/02 10:00 PM	1,768.42	1,799.19	1,647.56	1,229.87	986.57	738.75	306.14	210.72	200.93
09/15/02 11:00 PM	1,772.76	1,796.73	1,648.01	1,229.53	986.12	738.47	306.09	210.82	200.88

Date	09/14/02 00:00:00									
Hour	MS Flow	MS Temperature	MS Pressure	RH Flow	RH Temperature	RH Pressure	PA Temperature	SA Temperature	Bed Temperature	Combustor Lower Temperature
	KLBS/HR	DEG F	PSIG	KLBS/HR	DEG F	PSIG	DEG F	DEG F	DEG F	DEG F
	MSTMFX1C	SGGT3001	SGGP3002	SGJF3001	SGJT3001	SGJP3002	SGBT3125	SGBT3019	BDTPSP1C	SGAT3609
09/14/02 12:00 AM	749.30	1,003.75	1,915.59	24.79	1,004.95	443.72	439.96	411.05	1,656.00	1,752.68
09/14/02 1:00 AM	754.05	1,004.14	1,915.59	24.62	1,005.11	445.47	439.59	412.23	1,656.00	1,741.70
09/14/02 2:00 AM	754.50	1,003.99	1,915.59	25.01	1,005.28	446.60	439.54	413.44	1,656.00	1,743.06
09/14/02 3:00 AM	755.85	1,003.83	1,915.59	24.56	1,005.44	446.73	440.76	416.64	1,656.00	1,750.59
09/14/02 4:00 AM	753.78	1,004.46	1,915.59	23.95	1,005.60	446.46	442.10	420.97	1,656.00	1,757.08
09/14/02 5:00 AM	748.67	1,004.08	1,915.59	24.43	1,005.76	447.62	442.63	416.85	1,656.00	1,763.12
09/14/02 6:00 AM	751.44	1,003.98	1,915.59	24.65	1,005.85	449.83	440.91	408.35	1,656.00	1,766.25
09/14/02 7:00 AM	755.65	1,003.71	1,915.67	24.96	1,005.82	452.43	440.61	409.96	1,656.00	1,764.44
09/14/02 8:00 AM	754.12	1,004.17	1,916.10	24.98	1,005.80	454.97	440.74	411.57	1,656.00	1,762.55
09/14/02 9:00 AM	755.79	1,003.87	1,916.58	24.77	1,005.78	453.67	440.87	413.18	1,656.00	1,760.67
09/14/02 10:00 AM	755.39	1,004.00	1,917.05	24.55	1,005.75	453.45	441.00	414.79	1,656.00	1,758.87
09/14/02 11:00 AM	761.41	1,004.24	1,917.53	24.32	1,005.73	454.23	441.14	416.40	1,656.00	1,760.94
09/14/02 12:00 PM	768.38	1,003.88	1,918.01	25.28	1,005.71	461.98	441.27	418.01	1,656.00	1,764.67
09/14/02 1:00 PM	784.53	1,003.86	1,918.48	25.29	1,005.68	462.89	441.40	419.10	1,656.00	1,764.83
09/14/02 2:00 PM	784.38	1,003.80	1,918.96	25.17	1,005.70	462.90	441.51	419.20	1,656.00	1,764.19
09/14/02 3:00 PM	778.09	1,003.97	1,919.31	24.89	1,005.76	462.95	441.32	419.27	1,656.00	1,765.97
09/14/02 4:00 PM	775.79	1,003.58	1,919.10	25.09	1,005.82	463.43	441.05	419.05	1,656.00	1,768.70
09/14/02 5:00 PM	777.43	1,004.08	1,918.81	25.04	1,005.88	464.07	440.79	418.50	1,656.00	1,771.43
09/14/02 6:00 PM	776.67	1,003.69	1,918.53	25.57	1,005.95	464.71	440.52	417.96	1,656.00	1,774.16
09/14/02 7:00 PM	779.58	1,003.89	1,918.24	25.44	1,006.01	465.33	440.25	417.33	1,656.00	1,776.30
09/14/02 8:00 PM	769.84	1,004.38	1,917.95	25.06	1,006.07	463.29	440.00	415.36	1,656.00	1,774.48
09/14/02 9:00 PM	758.98	1,004.20	1,917.67	23.86	1,006.14	450.53	440.41	412.94	1,656.00	1,764.82
09/14/02 10:00 PM	756.17	1,003.75	1,917.38	24.33	1,006.12	449.10	441.14	410.51	1,656.00	1,764.73
09/14/02 11:00 PM	755.59	1,003.86	1,917.21	24.34	1,006.00	448.80	441.86	408.50	1,656.00	1,769.76

Date	09/14/02 00:00:00								
Hour	Combustor Middle Temperature	Combustor Upper Temperature	Cyclone Outlet Temperature	RHII Outlet Gas Temperature	Economizer Inlet Gas Temperature	Economizer Outlet Gas Temperature	Baghouse Inlet Temperature	PA Air Heater Cold End Temperature	SA Air Heater Cold End Temperature
	DEG F	DEG F	DEG F	DEG F	DEG F	DEG F	DEG F	DEG F	DEG F
	SGAT3609	SGAT3612	SGAT3627	SGAT3637	SGAT3639	SGAT3640	EMP	AHT:U3_PAETAVG	AHT:U3_SAETAVG
09/14/02 12:00 AM	1,752.68	1,779.55	1,654.26	1,228.41	989.22	735.21	309.17	211.72	202.10
09/14/02 1:00 AM	1,741.70	1,771.60	1,653.80	1,228.32	989.56	736.42	309.94	212.20	203.35
09/14/02 2:00 AM	1,743.06	1,773.54	1,653.34	1,228.22	989.91	737.39	308.27	212.10	202.92
09/14/02 3:00 AM	1,750.59	1,781.34	1,652.88	1,226.99	989.80	738.17	308.33	212.87	203.29
09/14/02 4:00 AM	1,757.08	1,783.07	1,652.42	1,223.24	989.02	738.95	312.27	214.80	206.74
09/14/02 5:00 AM	1,763.12	1,781.68	1,651.96	1,213.22	974.00	723.62	314.18	216.83	205.55
09/14/02 6:00 AM	1,766.25	1,784.86	1,651.48	1,211.93	970.57	722.05	308.11	214.20	201.54
09/14/02 7:00 AM	1,764.44	1,788.97	1,650.99	1,214.75	973.07	725.60	310.79	215.54	203.24
09/14/02 8:00 AM	1,762.55	1,793.08	1,650.51	1,217.57	975.58	729.16	309.21	214.89	203.31
09/14/02 9:00 AM	1,760.67	1,797.18	1,650.03	1,220.39	978.09	732.72	309.95	215.40	204.29
09/14/02 10:00 AM	1,758.87	1,800.24	1,649.55	1,223.21	980.59	736.27	310.99	216.43	205.88
09/14/02 11:00 AM	1,760.94	1,792.39	1,649.07	1,226.03	983.10	739.83	315.26	219.43	209.87
09/14/02 12:00 PM	1,764.67	1,784.24	1,648.58	1,228.85	985.31	742.79	314.63	219.35	209.75
09/14/02 1:00 PM	1,764.83	1,791.03	1,648.51	1,231.21	986.15	742.87	311.73	217.35	207.96
09/14/02 2:00 PM	1,764.19	1,798.74	1,649.37	1,231.14	986.82	742.58	312.10	217.88	208.53
09/14/02 3:00 PM	1,765.97	1,795.39	1,650.27	1,230.73	987.49	742.28	315.25	219.05	212.05
09/14/02 4:00 PM	1,768.70	1,796.01	1,651.17	1,230.31	988.15	741.60	314.11	217.84	208.60
09/14/02 5:00 PM	1,771.43	1,800.80	1,652.08	1,229.90	988.82	740.71	312.38	216.43	207.18
09/14/02 6:00 PM	1,774.16	1,805.60	1,652.98	1,229.49	989.48	739.26	310.67	215.58	206.09
09/14/02 7:00 PM	1,776.30	1,807.40	1,653.88	1,229.07	990.15	738.51	311.30	215.03	206.75
09/14/02 8:00 PM	1,774.48	1,797.27	1,654.78	1,228.66	990.48	739.28	310.48	211.73	203.36
09/14/02 9:00 PM	1,764.82	1,802.68	1,655.36	1,228.18	989.26	738.52	307.92	208.97	200.23
09/14/02 10:00 PM	1,764.73	1,803.85	1,655.23	1,227.36	987.84	737.75	307.05	209.49	199.15
09/14/02 11:00 PM	1,769.76	1,804.97	1,655.06	1,226.50	986.41	737.51	305.92	208.85	199.31

Date	09/13/02 00:00:00									
Hour	MS Flow	MS Temperature	MS Pressure	RH Flow	RH Temperature	RH Pressure	PA Temperature	SA Temperature	Bed Temperature	Combustor Lower Temperature
	KLBS/HR	DEG F	PSIG	KLBS/HR	DEG F	PSIG	DEG F	DEG F	DEG F	DEG F
	MSTMF1C	SGGT3001	SGGP3002	SGJF3001	SGJT3001	SGJP3002	SGBT3125	SGBT3019	BDTPSP1C	SGAT3609
09/13/02 12:00 AM	757.93	1,003.87	1,916.55	24.41	1,004.75	449.16	443.09	410.10	1,656.00	1,771.91
09/13/02 1:00 AM	754.33	1,004.16	1,916.74	23.95	1,004.53	440.53	443.72	413.27	1,656.00	1,771.77
09/13/02 2:00 AM	748.09	1,004.82	1,916.93	23.86	1,004.31	440.40	443.96	413.71	1,656.00	1,771.62
09/13/02 3:00 AM	743.97	1,003.61	1,917.12	24.09	1,004.09	438.99	441.29	404.14	1,656.00	1,769.99
09/13/02 4:00 AM	750.93	1,003.99	1,917.31	24.12	1,003.87	442.67	439.31	404.91	1,656.00	1,759.48
09/13/02 5:00 AM	747.30	1,003.78	1,917.51	24.11	1,003.65	440.29	439.65	406.16	1,656.00	1,759.27
09/13/02 6:00 AM	750.96	1,004.09	1,917.70	24.84	1,003.53	445.53	440.01	407.41	1,656.00	1,762.57
09/13/02 7:00 AM	749.00	1,004.10	1,917.93	24.76	1,003.59	447.05	440.38	408.66	1,656.00	1,765.87
09/13/02 8:00 AM	752.43	1,003.96	1,918.38	24.57	1,003.65	448.39	440.75	409.91	1,656.00	1,769.17
09/13/02 9:00 AM	748.25	1,003.85	1,918.86	24.88	1,003.71	450.05	441.11	411.16	1,656.00	1,771.41
09/13/02 10:00 AM	753.46	1,004.12	1,919.33	24.20	1,003.77	450.18	441.48	412.32	1,656.00	1,762.35
09/13/02 11:00 AM	757.92	1,003.81	1,919.81	24.26	1,003.83	450.86	441.84	413.18	1,656.00	1,750.46
09/13/02 12:00 PM	776.92	1,003.80	1,920.29	25.32	1,003.89	460.08	442.08	414.02	1,656.00	1,745.16
09/13/02 1:00 PM	778.25	1,004.20	1,920.76	25.65	1,003.95	462.49	442.11	414.86	1,656.00	1,743.47
09/13/02 2:00 PM	780.92	1,003.85	1,921.24	25.78	1,004.01	463.57	442.13	415.25	1,656.00	1,747.40
09/13/02 3:00 PM	785.26	1,004.16	1,921.53	25.55	1,004.08	463.78	442.16	414.80	1,656.00	1,752.60
09/13/02 4:00 PM	782.45	1,004.12	1,920.89	25.68	1,004.16	463.50	442.19	414.69	1,656.00	1,757.79
09/13/02 5:00 PM	784.30	1,004.03	1,920.13	25.92	1,004.23	462.93	442.22	416.34	1,656.00	1,762.99
09/13/02 6:00 PM	780.54	1,004.16	1,919.36	25.35	1,004.30	462.08	442.17	418.00	1,656.00	1,767.17
09/13/02 7:00 PM	779.13	1,004.16	1,918.60	25.14	1,004.37	460.40	441.83	416.16	1,656.00	1,769.60
09/13/02 8:00 PM	782.10	1,004.02	1,917.84	25.65	1,004.45	462.29	441.45	413.15	1,656.00	1,771.29
09/13/02 9:00 PM	758.17	1,003.99	1,917.07	24.71	1,004.52	449.90	441.08	410.72	1,656.00	1,770.71
09/13/02 10:00 PM	754.03	1,003.98	1,916.31	24.70	1,004.63	447.14	440.71	409.95	1,656.00	1,769.97
09/13/02 11:00 PM	753.61	1,004.01	1,915.67	24.49	1,004.79	444.76	440.34	409.91	1,656.00	1,763.99

Date	09/13/02 00:00:00								
Hour	Combustor Middle Temperature	Combustor Upper Temperature	Cyclone Outlet Temperature	RHII Outlet Gas Temperature	Economizer Inlet Gas Temperature	Economizer Outlet Gas Temperature	Baghouse Inlet Temperature	PA Air Heater Cold End Temperature	SA Air Heater Cold End Temperature
	DEG F	DEG F	DEG F	DEG F	DEG F	DEG F	DEG F	DEG F	DEG F
	SGAT3609	SGAT3612	SGAT3627	SGAT3637	SGAT3639	SGAT3640	EMP	AHT:U3_PAETAVG	AHT:U3_SAETAVG
09/13/02 12:00 AM	1,771.91	1,799.48	1,641.16	1,222.12	978.59	734.91	307.69	210.88	199.88
09/13/02 1:00 AM	1,771.77	1,798.87	1,641.87	1,219.26	977.01	735.29	308.79	211.24	200.99
09/13/02 2:00 AM	1,771.62	1,798.25	1,642.58	1,215.11	973.84	728.97	312.86	214.49	201.48
09/13/02 3:00 AM	1,769.99	1,797.83	1,643.30	1,208.15	966.23	726.41	305.44	211.31	197.95
09/13/02 4:00 AM	1,759.48	1,798.51	1,644.01	1,209.63	967.92	726.81	307.07	212.16	198.90
09/13/02 5:00 AM	1,759.27	1,799.39	1,644.73	1,212.12	970.42	727.84	308.04	213.29	199.81
09/13/02 6:00 AM	1,762.57	1,800.59	1,645.44	1,214.61	972.91	730.07	305.65	212.07	198.79
09/13/02 7:00 AM	1,765.87	1,801.84	1,646.16	1,217.11	975.41	732.32	305.58	211.85	198.76
09/13/02 8:00 AM	1,769.17	1,803.10	1,647.33	1,219.60	977.91	734.58	306.74	212.75	199.83
09/13/02 9:00 AM	1,771.41	1,804.35	1,648.72	1,222.10	980.41	736.83	306.77	213.46	200.82
09/13/02 10:00 AM	1,762.35	1,797.66	1,650.12	1,224.59	982.91	739.08	311.32	215.85	203.99
09/13/02 11:00 AM	1,750.46	1,784.18	1,651.51	1,226.51	984.93	741.07	312.86	217.15	205.96
09/13/02 12:00 PM	1,745.16	1,782.38	1,652.90	1,226.90	985.35	741.47	310.14	215.75	206.75
09/13/02 1:00 PM	1,743.47	1,787.09	1,654.30	1,227.20	985.66	741.62	311.68	214.15	205.44
09/13/02 2:00 PM	1,747.40	1,791.81	1,655.69	1,227.49	985.96	741.77	310.15	213.38	204.02
09/13/02 3:00 PM	1,752.60	1,796.52	1,657.05	1,227.79	986.26	742.74	311.14	213.38	205.51
09/13/02 4:00 PM	1,757.79	1,801.20	1,657.28	1,228.09	986.56	743.15	308.97	211.96	202.28
09/13/02 5:00 PM	1,762.99	1,802.22	1,656.91	1,228.39	986.87	741.64	306.55	211.09	201.15
09/13/02 6:00 PM	1,767.17	1,800.59	1,656.54	1,228.69	987.17	740.03	310.34	213.08	203.51
09/13/02 7:00 PM	1,769.60	1,798.96	1,656.17	1,228.89	987.49	738.28	312.32	214.35	205.22
09/13/02 8:00 PM	1,771.29	1,798.73	1,655.80	1,228.80	987.83	736.85	308.71	212.03	203.88
09/13/02 9:00 PM	1,770.71	1,801.30	1,655.43	1,228.71	988.18	736.87	306.67	211.09	200.23
09/13/02 10:00 PM	1,769.97	1,803.94	1,655.06	1,228.61	988.52	738.13	305.38	210.24	199.18
09/13/02 11:00 PM	1,763.99	1,795.49	1,654.69	1,228.51	988.87	737.34	309.90	212.61	201.72

Date	09/12/02 00:00:00									
Hour	MS Flow	MS Temperature	MS Pressure	RH Flow	RH Temperature	RH Pressure	PA Temperature	SA Temperature	Bed Temperature	Combustor Lower Temperature
	KLBS/HR	DEG F	PSIG	KLBS/HR	DEG F	PSIG	DEG F	DEG F	DEG F	DEG F
	MSTMFX1C	SGGT3001	SGGP3002	SGJF3001	SGJT3001	SGJP3002	SGBT3125	SGBT3019	BDTPSP1C	SGAT3609
09/12/02 12:00 AM	691.41	1,003.73	1,891.13	22.15	1,006.93	408.68	433.28	406.79	1,656.00	1,744.43
09/12/02 1:00 AM	482.07	999.38	1,882.03	14.33	1,007.59	264.61	413.38	396.19	1,656.00	1,693.35
09/12/02 2:00 AM	384.62	988.55	1,880.95	10.83	1,007.50	189.56	392.69	382.63	1,656.00	1,659.71
09/12/02 3:00 AM	390.66	989.51	1,885.61	11.12	1,003.61	191.79	392.46	380.73	1,656.00	1,674.32
09/12/02 4:00 AM	393.40	989.93	1,890.27	11.19	1,003.08	193.31	396.05	383.93	1,656.00	1,665.29
09/12/02 5:00 AM	396.11	991.26	1,894.93	11.23	1,002.81	193.45	399.72	387.23	1,656.00	1,656.19
09/12/02 6:00 AM	423.57	993.98	1,899.59	12.40	1,003.92	212.98	403.99	391.17	1,656.00	1,664.97
09/12/02 7:00 AM	658.32	1,005.98	1,903.89	21.97	1,004.20	384.27	428.17	404.96	1,656.00	1,718.21
09/12/02 8:00 AM	746.94	1,004.42	1,906.20	25.20	1,004.30	451.24	448.69	419.32	1,656.00	1,759.58
09/12/02 9:00 AM	754.56	1,004.38	1,908.21	24.98	1,004.41	452.86	447.99	420.42	1,656.00	1,756.51
09/12/02 10:00 AM	760.08	1,004.22	1,910.21	24.46	1,004.51	453.25	447.27	421.48	1,656.00	1,753.30
09/12/02 11:00 AM	758.26	1,004.08	1,912.22	24.62	1,004.62	454.13	446.56	422.54	1,656.00	1,750.09
09/12/02 12:00 PM	769.58	1,003.62	1,914.22	25.46	1,004.72	460.84	445.84	423.60	1,656.00	1,749.00
09/12/02 1:00 PM	769.15	1,003.83	1,916.23	25.45	1,004.83	463.48	445.12	424.66	1,656.00	1,750.94
09/12/02 2:00 PM	780.94	1,004.09	1,918.24	25.17	1,004.91	463.27	444.51	425.72	1,656.00	1,752.90
09/12/02 3:00 PM	784.38	1,003.99	1,919.88	24.79	1,004.96	463.05	444.38	426.78	1,656.00	1,754.87
09/12/02 4:00 PM	785.71	1,003.68	1,919.67	25.13	1,005.01	462.84	444.31	426.86	1,656.00	1,756.83
09/12/02 5:00 PM	786.65	1,003.86	1,919.20	25.21	1,005.06	462.62	444.25	425.74	1,656.00	1,758.80
09/12/02 6:00 PM	782.17	1,003.96	1,918.72	25.07	1,005.11	462.41	444.19	424.62	1,656.00	1,760.76
09/12/02 7:00 PM	784.22	1,004.14	1,918.24	25.05	1,005.15	462.39	444.11	422.29	1,656.00	1,762.96
09/12/02 8:00 PM	782.66	1,004.23	1,917.76	25.45	1,005.20	463.37	442.73	418.09	1,656.00	1,765.75
09/12/02 9:00 PM	758.51	1,003.91	1,917.29	24.84	1,005.25	448.33	440.46	409.57	1,656.00	1,768.56
09/12/02 10:00 PM	755.38	1,003.91	1,916.81	24.40	1,005.20	447.63	438.89	406.10	1,656.00	1,771.31
09/12/02 11:00 PM	756.86	1,004.28	1,916.43	24.10	1,004.98	447.92	440.96	407.99	1,656.00	1,772.06

Date	09/12/02 00:00:00								
Hour	Combustor Middle Temperature	Combustor Upper Temperature	Cyclone Outlet Temperature	RHII Outlet Gas Temperature	Economizer Inlet Gas Temperature	Economizer Outlet Gas Temperature	Baghouse Inlet Temperature	PA Air Heater Cold End Temperature	SA Air Heater Cold End Temperature
	DEG F	DEG F	DEG F	DEG F	DEG F	DEG F	DEG F	DEG F	DEG F
	SGAT3609	SGAT3612	SGAT3627	SGAT3637	SGAT3639	SGAT3640	EMP	AHT:U3_PAETAVG	AHT:U3_SAETAVG
09/12/02 12:00 AM	1,744.43	1,787.38	1,620.75	1,191.96	962.53	712.07	303.14	210.10	200.94
09/12/02 1:00 AM	1,693.35	1,741.32	1,541.53	1,124.78	919.87	669.70	283.13	199.17	190.90
09/12/02 2:00 AM	1,659.71	1,693.60	1,463.20	1,082.98	896.70	641.67	263.69	189.17	182.75
09/12/02 3:00 AM	1,674.32	1,711.08	1,466.40	1,093.42	903.20	642.63	263.11	188.29	182.08
09/12/02 4:00 AM	1,665.29	1,699.85	1,471.19	1,103.87	909.70	643.58	265.35	188.67	182.57
09/12/02 5:00 AM	1,656.19	1,688.62	1,475.99	1,114.31	917.04	646.02	270.90	191.46	185.05
09/12/02 6:00 AM	1,664.97	1,700.88	1,485.18	1,131.52	930.18	658.88	274.84	193.40	186.28
09/12/02 7:00 AM	1,718.21	1,761.72	1,576.09	1,208.42	986.51	713.92	296.64	203.62	197.32
09/12/02 8:00 AM	1,759.58	1,797.33	1,636.27	1,226.25	1,003.27	729.61	311.43	212.85	202.56
09/12/02 9:00 AM	1,756.51	1,789.52	1,638.53	1,226.24	997.76	729.32	310.38	213.43	205.18
09/12/02 10:00 AM	1,753.30	1,781.72	1,640.80	1,226.45	992.26	729.02	312.24	215.94	207.07
09/12/02 11:00 AM	1,750.09	1,774.48	1,643.07	1,226.67	986.93	728.73	313.58	218.17	207.00
09/12/02 12:00 PM	1,749.00	1,775.09	1,645.33	1,226.89	985.42	728.94	314.07	219.22	208.55
09/12/02 1:00 PM	1,750.94	1,778.23	1,647.60	1,227.11	985.51	730.07	312.47	219.10	209.23
09/12/02 2:00 PM	1,752.90	1,781.10	1,649.87	1,227.33	985.60	731.22	314.22	220.15	210.74
09/12/02 3:00 PM	1,754.87	1,783.01	1,652.13	1,227.55	985.69	732.36	316.82	220.98	212.09
09/12/02 4:00 PM	1,756.83	1,784.84	1,652.42	1,227.56	985.78	733.51	314.19	219.07	210.36
09/12/02 5:00 PM	1,758.80	1,786.67	1,650.86	1,226.99	985.87	734.66	310.12	216.26	207.65
09/12/02 6:00 PM	1,760.76	1,788.85	1,649.31	1,226.39	985.96	735.70	309.60	215.58	206.86
09/12/02 7:00 PM	1,762.96	1,795.91	1,647.75	1,225.79	986.01	735.20	312.43	216.96	208.00
09/12/02 8:00 PM	1,765.75	1,804.54	1,646.20	1,225.18	984.90	734.18	310.79	213.28	204.98
09/12/02 9:00 PM	1,768.56	1,811.55	1,644.65	1,224.58	983.32	733.76	303.20	206.89	197.29
09/12/02 10:00 PM	1,771.31	1,804.56	1,643.09	1,223.97	981.74	734.14	303.64	207.94	197.14
09/12/02 11:00 PM	1,772.06	1,800.10	1,641.54	1,223.37	980.17	734.52	309.33	211.63	200.85

Date	09/11/02 00:00:00									
Hour	MS Flow	MS Temperature	MS Pressure	RH Flow	RH Temperature	RH Pressure	PA Temperature	SA Temperature	Bed Temperature	Combustor Lower Temperature
	KLBS/HR	DEG F	PSIG	KLBS/HR	DEG F	PSIG	DEG F	DEG F	DEG F	DEG F
	MSTMFX1C	SGGT3001	SGGP3002	SGJF3001	SGJT3001	SGJP3002	SGBT3125	SGBT3019	BDTPSP1C	SGAT3609
09/11/02 12:00 AM	765.55	1,004.09	1,918.73	24.68	1,004.49	446.80	437.50	411.90	1,656.00	1,758.25
09/11/02 1:00 AM	748.30	1,003.93	1,917.87	24.25	1,004.43	442.63	437.85	413.54	1,656.00	1,753.52
09/11/02 2:00 AM	745.61	1,003.96	1,917.02	24.50	1,004.37	440.52	438.21	414.56	1,656.00	1,755.54
09/11/02 3:00 AM	743.07	1,004.41	1,916.16	23.87	1,004.31	435.41	438.56	415.33	1,656.00	1,759.43
09/11/02 4:00 AM	745.43	1,003.92	1,916.51	24.55	1,004.43	442.41	438.91	416.10	1,656.00	1,762.76
09/11/02 5:00 AM	741.53	1,003.88	1,918.30	24.50	1,004.80	444.16	439.27	416.87	1,656.00	1,753.50
09/11/02 6:00 AM	716.71	1,003.71	1,917.64	25.69	1,005.18	451.03	439.76	417.64	1,656.00	1,743.10
09/11/02 7:00 AM	696.09	1,003.80	1,916.78	25.22	1,005.55	451.02	440.69	418.41	1,656.00	1,740.43
09/11/02 8:00 AM	700.59	1,004.07	1,915.92	25.38	1,005.93	445.78	441.65	419.18	1,656.00	1,737.95
09/11/02 9:00 AM	692.46	1,003.93	1,915.06	25.14	1,006.30	444.29	442.61	420.01	1,656.00	1,735.47
09/11/02 10:00 AM	693.44	1,004.01	1,914.20	25.10	1,006.67	444.79	443.57	422.03	1,656.00	1,732.99
09/11/02 11:00 AM	694.13	1,003.99	1,913.35	25.66	1,007.05	446.16	444.53	424.52	1,656.00	1,730.51
09/11/02 12:00 PM	704.37	1,003.77	1,912.49	26.51	1,007.01	462.08	445.36	427.01	1,656.00	1,728.21
09/11/02 1:00 PM	707.45	1,003.79	1,912.06	26.54	1,006.43	460.79	445.67	429.50	1,656.00	1,737.73
09/11/02 2:00 PM	705.38	1,003.67	1,913.00	26.36	1,005.84	461.08	445.94	430.48	1,656.00	1,743.08
09/11/02 3:00 PM	705.34	1,003.82	1,914.05	26.31	1,005.26	461.37	446.20	430.09	1,656.00	1,741.94
09/11/02 4:00 PM	704.61	1,003.85	1,915.10	26.29	1,004.67	461.65	446.47	429.71	1,656.00	1,740.80
09/11/02 5:00 PM	708.57	1,003.97	1,916.15	26.47	1,004.09	461.94	446.47	429.32	1,656.00	1,740.61
09/11/02 6:00 PM	719.84	1,003.94	1,917.20	26.26	1,003.50	460.78	445.90	428.94	1,656.00	1,743.43
09/11/02 7:00 PM	745.27	1,004.16	1,918.25	26.18	1,003.61	461.22	445.31	428.54	1,656.00	1,746.47
09/11/02 8:00 PM	748.17	1,004.08	1,919.30	26.28	1,004.28	462.43	444.72	427.78	1,656.00	1,749.52
09/11/02 9:00 PM	753.10	1,005.28	1,918.05	25.22	1,004.94	452.29	444.08	425.23	1,656.00	1,752.56
09/11/02 10:00 PM	748.80	1,003.51	1,909.44	24.97	1,005.60	450.94	441.56	410.15	1,656.00	1,755.61
09/11/02 11:00 PM	752.77	1,004.02	1,900.29	24.61	1,006.26	451.32	438.13	407.73	1,656.00	1,758.65

Date	09/11/02 00:00:00								
Hour	Combustor Middle Temperature	Combustor Upper Temperature	Cyclone Outlet Temperature	RHII Outlet Gas Temperature	Economizer Inlet Gas Temperature	Economizer Outlet Gas Temperature	Baghouse Inlet Temperature	PA Air Heater Cold End Temperature	SA Air Heater Cold End Temperature
	DEG F	DEG F	DEG F	DEG F	DEG F	DEG F	DEG F	DEG F	DEG F
	SGAT3609	SGAT3612	SGAT3627	SGAT3637	SGAT3639	SGAT3640	EMP	AHT:U3_PAETAVG	AHT:U3_SAETAVG
09/11/02 12:00 AM	1,758.25	1,798.92	1,640.46	1,205.84	968.94	738.55	306.60	212.76	202.29
09/11/02 1:00 AM	1,753.52	1,795.49	1,637.50	1,206.22	970.30	740.70	307.59	212.91	202.88
09/11/02 2:00 AM	1,755.54	1,793.22	1,634.54	1,206.10	971.67	742.83	305.30	211.51	202.12
09/11/02 3:00 AM	1,759.43	1,791.31	1,631.59	1,205.90	973.04	744.74	307.55	212.57	202.60
09/11/02 4:00 AM	1,762.76	1,789.41	1,628.63	1,205.71	974.41	746.59	304.57	210.82	201.39
09/11/02 5:00 AM	1,753.50	1,787.63	1,627.04	1,205.51	975.77	747.71	306.89	211.97	202.77
09/11/02 6:00 AM	1,743.10	1,785.96	1,626.89	1,205.25	976.63	745.86	303.88	210.02	201.80
09/11/02 7:00 AM	1,740.43	1,784.30	1,626.74	1,204.86	976.45	743.71	300.77	207.71	201.80
09/11/02 8:00 AM	1,737.95	1,782.64	1,626.59	1,204.46	976.24	743.16	301.12	207.53	202.99
09/11/02 9:00 AM	1,735.47	1,780.97	1,626.48	1,204.07	976.02	746.89	302.49	209.24	205.75
09/11/02 10:00 AM	1,732.99	1,779.31	1,628.45	1,203.67	975.80	750.85	304.01	210.35	208.36
09/11/02 11:00 AM	1,730.51	1,777.65	1,678.87	1,203.28	975.59	753.28	305.90	211.84	210.82
09/11/02 12:00 PM	1,728.21	1,776.49	1,700.00	1,202.88	975.37	753.49	310.59	215.70	214.13
09/11/02 1:00 PM	1,737.73	1,778.92	1,700.00	1,202.49	975.16	752.28	313.86	219.05	217.23
09/11/02 2:00 PM	1,743.08	1,782.04	1,700.00	1,203.33	975.45	751.04	308.96	216.93	213.34
09/11/02 3:00 PM	1,741.94	1,785.17	1,700.00	1,205.71	976.10	749.81	308.71	216.93	214.14
09/11/02 4:00 PM	1,740.80	1,788.30	1,681.77	1,208.10	976.75	750.24	309.14	217.46	214.41
09/11/02 5:00 PM	1,740.61	1,788.39	1,632.01	1,210.48	977.40	751.99	313.61	219.76	215.36
09/11/02 6:00 PM	1,743.43	1,784.79	1,632.40	1,212.87	978.04	753.75	315.00	220.11	214.65
09/11/02 7:00 PM	1,746.47	1,784.98	1,632.78	1,215.12	978.69	755.50	314.81	219.95	212.51
09/11/02 8:00 PM	1,749.52	1,786.62	1,633.17	1,214.75	979.34	757.08	312.18	217.98	210.31
09/11/02 9:00 PM	1,752.56	1,788.25	1,633.55	1,213.18	979.67	744.02	315.03	219.01	209.61
09/11/02 10:00 PM	1,755.61	1,789.89	1,633.94	1,210.43	977.13	726.08	305.93	213.68	202.26
09/11/02 11:00 PM	1,758.65	1,791.53	1,634.32	1,208.95	975.04	723.55	306.45	213.16	201.76

Date	09/10/02 00:00:00									
Hour	MS Flow	MS Temperature	MS Pressure	RH Flow	RH Temperature	RH Pressure	PA Temperature	SA Temperature	Bed Temperature	Combustor Lower Temperature
	KLBS/HR	DEG F	PSIG	KLBS/HR	DEG F	PSIG	DEG F	DEG F	DEG F	DEG F
	MSTMFX1C	SGGT3001	SGGP3002	SGJF3001	SGJT3001	SGJP3002	SGBT3125	SGBT3019	BDTPSP1C	SGAT3609
09/10/02 12:00 AM	739.70	1,003.88	1,918.77	23.95	1,005.42	441.26	437.84	408.66	1,656.00	1,754.93
09/10/02 1:00 AM	752.31	1,003.72	1,918.29	24.07	1,005.48	447.19	437.83	409.91	1,656.00	1,758.55
09/10/02 2:00 AM	762.15	1,003.64	1,917.81	23.88	1,005.51	449.15	437.83	411.16	1,656.00	1,762.17
09/10/02 3:00 AM	757.21	1,003.80	1,917.34	24.18	1,005.53	449.60	437.82	412.38	1,656.00	1,765.59
09/10/02 4:00 AM	758.75	1,003.84	1,921.13	23.96	1,005.56	445.95	437.92	413.28	1,656.00	1,766.64
09/10/02 5:00 AM	754.98	1,003.57	1,924.69	24.13	1,005.58	447.08	438.07	414.09	1,656.00	1,766.99
09/10/02 6:00 AM	751.98	1,003.96	1,920.53	24.22	1,005.60	442.78	438.23	414.91	1,656.00	1,764.90
09/10/02 7:00 AM	750.21	1,003.66	1,916.17	24.17	1,005.63	442.24	438.38	415.72	1,656.00	1,760.77
09/10/02 8:00 AM	748.84	1,003.52	1,911.81	24.61	1,005.65	445.99	438.53	416.54	1,656.00	1,756.64
09/10/02 9:00 AM	743.90	1,003.96	1,907.45	24.51	1,005.44	449.01	438.69	417.35	1,656.00	1,752.51
09/10/02 10:00 AM	747.47	1,003.67	1,903.09	24.71	1,003.56	451.93	438.84	417.70	1,656.00	1,748.38
09/10/02 11:00 AM	656.09	1,006.82	1,892.01	18.63	1,011.21	427.41	438.46	417.30	1,656.00	1,695.52
09/10/02 12:00 PM	764.55	997.10	1,914.13	25.10	1,000.44	455.79	439.42	426.85	1,656.00	1,750.63
09/10/02 1:00 PM	780.00	1,004.14	1,916.10	25.41	1,001.52	462.14	442.91	429.94	1,656.00	1,758.43
09/10/02 2:00 PM	779.86	1,003.82	1,917.05	25.69	1,002.01	461.03	445.39	429.84	1,656.00	1,760.41
09/10/02 3:00 PM	781.56	1,003.98	1,918.01	25.63	1,002.51	465.94	445.15	429.73	1,656.00	1,762.40
09/10/02 4:00 PM	782.60	1,003.63	1,918.96	25.63	1,003.00	463.26	444.76	429.63	1,656.00	1,764.38
09/10/02 5:00 PM	782.76	1,003.53	1,919.92	25.88	1,003.50	462.79	444.37	429.53	1,656.00	1,766.36
09/10/02 6:00 PM	787.01	1,003.73	1,920.87	25.91	1,003.99	462.33	443.97	429.42	1,656.00	1,768.24
09/10/02 7:00 PM	789.12	1,004.07	1,921.82	25.58	1,004.48	461.88	443.58	429.32	1,656.00	1,766.31
09/10/02 8:00 PM	780.53	1,004.15	1,922.14	25.54	1,004.74	461.42	443.19	428.91	1,656.00	1,762.37
09/10/02 9:00 PM	758.09	1,004.59	1,921.31	24.57	1,004.68	449.84	442.80	424.02	1,656.00	1,760.81
09/10/02 10:00 PM	750.19	1,004.40	1,920.45	24.46	1,004.62	448.32	443.89	423.43	1,656.00	1,761.98
09/10/02 11:00 PM	758.18	1,003.57	1,919.59	24.81	1,004.56	446.73	440.58	413.34	1,656.00	1,762.54

Date	09/10/02 00:00:00								
Hour	Combustor Middle Temperature	Combustor Upper Temperature	Cyclone Outlet Temperature	RHII Outlet Gas Temperature	Economizer Inlet Gas Temperature	Economizer Outlet Gas Temperature	Baghouse Inlet Temperature	PA Air Heater Cold End Temperature	SA Air Heater Cold End Temperature
	DEG F	DEG F	DEG F	DEG F	DEG F	DEG F	DEG F	DEG F	DEG F
	SGAT3609	SGAT3612	SGAT3627	SGAT3637	SGAT3639	SGAT3640	EMP	AHT:U3_PAETAVG	AHT:U3_SAETAVG
09/10/02 12:00 AM	1,754.93	1,798.53	1,650.69	1,209.75	973.13	729.92	306.87	211.15	202.68
09/10/02 1:00 AM	1,758.55	1,799.31	1,650.87	1,211.38	978.27	732.86	307.73	211.51	202.03
09/10/02 2:00 AM	1,762.17	1,800.09	1,651.05	1,213.02	983.41	735.67	309.66	212.17	202.48
09/10/02 3:00 AM	1,765.59	1,800.76	1,651.23	1,214.66	987.30	737.41	306.79	210.24	200.95
09/10/02 4:00 AM	1,766.64	1,800.89	1,651.40	1,216.30	988.04	738.93	305.58	208.89	200.61
09/10/02 5:00 AM	1,766.99	1,800.88	1,651.58	1,216.84	988.63	740.44	305.84	208.97	200.25
09/10/02 6:00 AM	1,764.90	1,799.26	1,651.76	1,215.87	989.22	741.85	303.68	207.92	199.13
09/10/02 7:00 AM	1,760.77	1,796.86	1,651.94	1,214.89	989.80	741.91	305.59	208.79	200.25
09/10/02 8:00 AM	1,756.64	1,794.46	1,652.04	1,213.91	990.39	741.53	303.54	208.17	200.28
09/10/02 9:00 AM	1,752.51	1,792.07	1,652.07	1,212.93	990.97	741.16	305.46	210.93	202.63
09/10/02 10:00 AM	1,748.38	1,789.67	1,652.10	1,211.94	991.56	740.79	308.23	214.08	205.61
09/10/02 11:00 AM	1,695.52	1,733.72	1,600.07	1,182.51	975.84	732.35	305.24	213.40	207.29
09/10/02 12:00 PM	1,750.63	1,789.87	1,636.79	1,215.48	982.97	743.05	311.04	217.50	212.61
09/10/02 1:00 PM	1,758.43	1,795.53	1,661.55	1,229.23	997.53	754.74	318.06	222.33	217.04
09/10/02 2:00 PM	1,760.41	1,796.25	1,660.12	1,228.96	997.08	753.49	316.89	222.76	216.74
09/10/02 3:00 PM	1,762.40	1,796.97	1,658.69	1,228.70	996.49	752.24	315.43	222.15	216.00
09/10/02 4:00 PM	1,764.38	1,797.69	1,657.25	1,228.43	995.91	751.00	315.55	222.74	215.85
09/10/02 5:00 PM	1,766.36	1,798.11	1,655.82	1,228.16	995.33	749.79	313.90	221.91	215.31
09/10/02 6:00 PM	1,768.24	1,794.69	1,654.38	1,227.89	994.75	749.04	313.47	221.54	215.29
09/10/02 7:00 PM	1,766.31	1,791.49	1,652.95	1,227.63	994.17	748.42	313.92	220.13	213.97
09/10/02 8:00 PM	1,762.37	1,794.01	1,651.51	1,227.32	993.58	747.81	315.02	220.13	213.20
09/10/02 9:00 PM	1,760.81	1,797.13	1,649.33	1,219.95	990.95	746.81	311.87	216.99	209.09
09/10/02 10:00 PM	1,761.98	1,800.26	1,646.37	1,208.00	977.85	738.41	315.71	218.78	209.01
09/10/02 11:00 PM	1,762.54	1,802.01	1,643.42	1,205.38	967.57	736.40	306.78	213.70	202.31

Date	09/09/02 00:00:00									
Hour	MS Flow	MS Temperature	MS Pressure	RH Flow	RH Temperature	RH Pressure	PA Temperature	SA Temperature	Bed Temperature	Combustor Lower Temperature
	KLBS/HR	DEG F	PSIG	KLBS/HR	DEG F	PSIG	DEG F	DEG F	DEG F	DEG F
	MSTMFX1C	SGGT3001	SGGP3002	SGJF3001	SGJT3001	SGJP3002	SGBT3125	SGBT3019	BDTPSP1C	SGAT3609
09/09/02 12:00 AM	724.87	1,003.77	1,917.15	24.42	1,005.39	435.12	435.85	411.17	1,656.00	1,748.86
09/09/02 1:00 AM	744.24	1,003.73	1,916.48	23.66	1,005.38	438.91	436.93	412.56	1,656.00	1,748.33
09/09/02 2:00 AM	741.23	1,004.00	1,915.82	23.80	1,005.23	439.20	438.02	413.96	1,656.00	1,747.81
09/09/02 3:00 AM	743.10	1,004.22	1,915.15	23.45	1,005.06	439.48	439.11	415.35	1,656.00	1,747.75
09/09/02 4:00 AM	744.63	1,003.90	1,915.07	23.29	1,004.89	439.77	440.20	416.75	1,656.00	1,750.07
09/09/02 5:00 AM	762.95	1,003.92	1,915.55	24.47	1,004.71	446.27	441.29	418.11	1,656.00	1,749.33
09/09/02 6:00 AM	763.43	1,003.90	1,916.03	24.31	1,004.54	447.07	442.16	419.29	1,656.00	1,744.31
09/09/02 7:00 AM	766.28	1,004.00	1,916.50	24.32	1,004.37	448.73	442.39	420.43	1,656.00	1,739.27
09/09/02 8:00 AM	765.70	1,004.12	1,916.98	24.36	1,004.19	450.35	442.58	421.57	1,656.00	1,734.45
09/09/02 9:00 AM	765.61	1,003.87	1,917.46	24.44	1,004.05	451.95	442.77	422.71	1,656.00	1,737.56
09/09/02 10:00 AM	764.67	1,004.05	1,917.93	24.75	1,004.13	451.32	442.96	423.85	1,656.00	1,744.61
09/09/02 11:00 AM	761.83	1,003.87	1,918.41	24.99	1,004.25	451.35	443.15	424.99	1,656.00	1,751.66
09/09/02 12:00 PM	790.08	1,003.99	1,918.79	25.59	1,004.37	463.22	443.33	427.09	1,656.00	1,754.71
09/09/02 1:00 PM	785.27	1,004.43	1,919.08	25.70	1,004.50	464.40	443.41	429.26	1,656.00	1,754.58
09/09/02 2:00 PM	790.06	1,004.28	1,919.36	25.74	1,004.62	464.75	443.47	427.83	1,656.00	1,754.45
09/09/02 3:00 PM	786.32	1,004.16	1,919.65	25.77	1,004.74	465.10	443.52	426.32	1,656.00	1,754.33
09/09/02 4:00 PM	786.80	1,003.91	1,919.94	25.91	1,004.87	465.45	443.58	424.97	1,656.00	1,753.73
09/09/02 5:00 PM	789.71	1,003.95	1,920.22	26.06	1,004.99	465.80	443.63	424.24	1,656.00	1,751.32
09/09/02 6:00 PM	788.30	1,003.93	1,920.51	26.04	1,005.06	466.15	443.69	423.59	1,656.00	1,748.74
09/09/02 7:00 PM	786.42	1,003.89	1,920.79	25.75	1,005.12	466.50	443.74	422.93	1,656.00	1,746.32
09/09/02 8:00 PM	784.51	1,003.75	1,920.68	25.66	1,005.18	465.51	443.44	422.28	1,656.00	1,745.88
09/09/02 9:00 PM	739.91	1,004.73	1,920.20	23.96	1,005.24	438.28	439.67	414.66	1,656.00	1,746.00
09/09/02 10:00 PM	740.81	1,003.56	1,919.72	23.55	1,005.30	435.34	438.07	406.32	1,656.00	1,747.70
09/09/02 11:00 PM	731.74	1,003.62	1,919.25	23.91	1,005.36	437.95	437.84	407.41	1,656.00	1,751.31

Date	09/09/02 00:00:00								
Hour	Combustor Middle Temperature	Combustor Upper Temperature	Cyclone Outlet Temperature	RHII Outlet Gas Temperature	Economizer Inlet Gas Temperature	Economizer Outlet Gas Temperature	Baghouse Inlet Temperature	PA Air Heater Cold End Temperature	SA Air Heater Cold End Temperature
	DEG F	DEG F	DEG F	DEG F	DEG F	DEG F	DEG F	DEG F	DEG F
	SGAT3609	SGAT3612	SGAT3627	SGAT3637	SGAT3639	SGAT3640	EMP	AHT:U3_PAETAVG	AHT:U3_SAETAVG
09/09/02 12:00 AM	1,748.86	1,796.40	1,629.89	1,211.49	966.47	729.31	304.91	212.16	204.30
09/09/02 1:00 AM	1,748.33	1,791.05	1,632.86	1,212.57	969.36	730.44	305.12	212.05	204.53
09/09/02 2:00 AM	1,747.81	1,784.58	1,635.90	1,213.65	972.25	731.54	306.38	212.62	205.89
09/09/02 3:00 AM	1,747.75	1,778.85	1,638.95	1,214.74	975.14	732.65	307.56	213.05	206.81
09/09/02 4:00 AM	1,750.07	1,777.46	1,642.00	1,215.82	978.01	733.76	310.49	213.50	207.51
09/09/02 5:00 AM	1,749.33	1,780.96	1,645.04	1,216.90	979.85	734.86	307.81	212.21	205.95
09/09/02 6:00 AM	1,744.31	1,783.12	1,648.09	1,217.98	981.06	735.96	309.45	212.82	205.51
09/09/02 7:00 AM	1,739.27	1,783.46	1,651.13	1,219.06	982.27	736.44	306.69	211.00	204.34
09/09/02 8:00 AM	1,734.45	1,783.80	1,652.88	1,219.82	983.48	736.58	308.18	212.33	205.72
09/09/02 9:00 AM	1,737.56	1,784.25	1,652.36	1,220.29	984.69	736.72	310.70	214.99	209.50
09/09/02 10:00 AM	1,744.61	1,786.67	1,651.80	1,220.76	985.91	736.87	307.96	214.19	209.50
09/09/02 11:00 AM	1,751.66	1,789.79	1,651.24	1,221.23	987.12	737.24	309.75	216.47	211.64
09/09/02 12:00 PM	1,754.71	1,789.68	1,650.68	1,221.70	988.31	741.00	314.77	219.56	215.33
09/09/02 1:00 PM	1,754.58	1,779.24	1,650.13	1,222.16	988.57	742.66	315.07	220.70	215.75
09/09/02 2:00 PM	1,754.45	1,780.87	1,649.57	1,222.63	988.25	741.51	316.15	221.71	215.94
09/09/02 3:00 PM	1,754.33	1,782.74	1,649.01	1,223.00	987.93	740.36	317.38	222.25	215.72
09/09/02 4:00 PM	1,753.73	1,784.87	1,648.74	1,222.65	987.60	739.21	313.05	219.11	211.69
09/09/02 5:00 PM	1,751.32	1,787.73	1,648.98	1,222.18	987.28	738.06	311.63	217.83	210.76
09/09/02 6:00 PM	1,748.74	1,790.63	1,649.23	1,221.70	986.96	737.43	311.77	217.41	210.21
09/09/02 7:00 PM	1,746.32	1,793.26	1,649.48	1,221.22	986.64	737.36	312.12	216.86	209.26
09/09/02 8:00 PM	1,745.88	1,794.51	1,649.72	1,220.75	985.97	737.30	314.38	217.67	209.84
09/09/02 9:00 PM	1,746.00	1,795.57	1,649.97	1,207.80	964.07	722.67	311.40	216.13	205.60
09/09/02 10:00 PM	1,747.70	1,796.63	1,650.22	1,206.47	962.85	724.05	306.36	212.60	202.16
09/09/02 11:00 PM	1,751.31	1,797.68	1,650.46	1,208.11	967.99	726.98	304.77	210.96	201.33

Date	09/08/02 00:00:00									
Hour	MS Flow	MS Temperature	MS Pressure	RH Flow	RH Temperature	RH Pressure	PA Temperature	SA Temperature	Bed Temperature	Combustor Lower Temperature
	KLBS/HR	DEG F	PSIG	KLBS/HR	DEG F	PSIG	DEG F	DEG F	DEG F	DEG F
	MSTMFX1C	SGGT3001	SGGP3002	SGJF3001	SGJT3001	SGJP3002	SGBT3125	SGBT3019	BDTPSP1C	SGAT3609
09/08/02 12:00 AM	723.59	1,003.68	1,913.67	23.75	1,006.48	420.89	434.75	413.05	1,656.00	1,736.16
09/08/02 1:00 AM	729.75	1,004.17	1,912.92	23.35	1,006.68	423.26	435.21	416.04	1,656.00	1,733.81
09/08/02 2:00 AM	724.58	1,003.94	1,911.85	23.20	1,006.53	425.50	435.66	419.00	1,656.00	1,728.01
09/08/02 3:00 AM	722.12	1,004.22	1,910.78	23.26	1,006.32	427.04	436.12	420.60	1,656.00	1,727.10
09/08/02 4:00 AM	720.74	1,004.30	1,910.87	22.48	1,006.11	422.86	436.57	421.58	1,656.00	1,728.28
09/08/02 5:00 AM	725.70	1,004.02	1,912.12	23.15	1,005.89	428.91	437.03	422.56	1,656.00	1,729.33
09/08/02 6:00 AM	726.15	1,004.07	1,913.36	23.51	1,005.68	431.08	437.54	423.54	1,656.00	1,729.56
09/08/02 7:00 AM	753.28	1,003.73	1,914.60	25.10	1,005.46	450.65	438.27	424.52	1,656.00	1,729.65
09/08/02 8:00 AM	752.41	1,004.33	1,915.84	25.22	1,005.25	452.36	439.04	425.50	1,656.00	1,729.73
09/08/02 9:00 AM	752.44	1,004.02	1,917.08	25.49	1,005.06	450.90	439.81	426.48	1,656.00	1,729.82
09/08/02 10:00 AM	748.96	1,004.10	1,918.32	25.57	1,005.06	452.73	440.57	427.40	1,656.00	1,730.74
09/08/02 11:00 AM	761.02	1,004.19	1,919.56	25.34	1,005.10	457.39	441.34	427.50	1,656.00	1,737.12
09/08/02 12:00 PM	777.59	1,003.61	1,920.17	26.04	1,005.14	465.96	442.10	427.33	1,656.00	1,743.27
09/08/02 1:00 PM	778.07	1,004.23	1,920.17	25.89	1,005.19	462.35	442.87	427.15	1,656.00	1,746.94
09/08/02 2:00 PM	780.11	1,004.17	1,920.17	26.09	1,005.23	464.47	443.60	426.98	1,656.00	1,749.45
09/08/02 3:00 PM	784.17	1,003.58	1,920.17	26.08	1,005.27	464.07	444.17	426.80	1,656.00	1,748.02
09/08/02 4:00 PM	783.95	1,004.20	1,920.17	26.18	1,005.32	464.35	444.72	426.63	1,656.00	1,746.22
09/08/02 5:00 PM	784.29	1,004.13	1,920.17	26.06	1,005.35	464.63	445.27	426.45	1,656.00	1,744.42
09/08/02 6:00 PM	784.43	1,003.91	1,920.17	26.31	1,005.37	465.98	445.82	426.14	1,656.00	1,742.62
09/08/02 7:00 PM	787.23	1,003.96	1,920.17	26.07	1,005.37	464.54	446.37	425.61	1,656.00	1,741.13
09/08/02 8:00 PM	784.97	1,004.11	1,919.82	25.79	1,005.38	466.77	446.93	425.09	1,656.00	1,744.23
09/08/02 9:00 PM	750.58	1,005.24	1,919.16	24.34	1,005.38	449.31	445.03	422.02	1,656.00	1,748.86
09/08/02 10:00 PM	740.11	1,003.25	1,918.49	24.38	1,005.38	441.01	434.53	408.74	1,656.00	1,750.37
09/08/02 11:00 PM	744.18	1,003.70	1,917.82	24.03	1,005.39	436.43	434.76	409.77	1,656.00	1,749.55

Date	09/08/02 00:00:00								
Hour	Combustor Middle Temperature	Combustor Upper Temperature	Cyclone Outlet Temperature	RHII Outlet Gas Temperature	Economizer Inlet Gas Temperature	Economizer Outlet Gas Temperature	Baghouse Inlet Temperature	PA Air Heater Cold End Temperature	SA Air Heater Cold End Temperature
	DEG F	DEG F	DEG F	DEG F	DEG F	DEG F	DEG F	DEG F	DEG F
	SGAT3609	SGAT3612	SGAT3627	SGAT3637	SGAT3639	SGAT3640	EMP	AHT:U3_PAETAVG	AHT:U3_SAETAVG
09/08/02 12:00 AM	1,736.16	1,770.58	1,609.84	1,191.11	968.00	720.62	304.71	212.24	207.18
09/08/02 1:00 AM	1,733.81	1,772.45	1,613.47	1,194.52	970.76	721.63	308.95	214.72	208.93
09/08/02 2:00 AM	1,728.01	1,770.47	1,617.10	1,197.94	973.52	722.64	309.61	214.87	209.32
09/08/02 3:00 AM	1,727.10	1,768.68	1,620.73	1,201.36	976.28	723.64	308.30	214.13	208.36
09/08/02 4:00 AM	1,728.28	1,766.98	1,624.36	1,204.77	979.04	724.65	310.32	214.90	209.01
09/08/02 5:00 AM	1,729.33	1,765.53	1,627.98	1,207.55	981.77	725.66	310.35	214.60	209.07
09/08/02 6:00 AM	1,729.56	1,765.62	1,631.37	1,209.52	983.20	729.69	308.63	213.46	208.00
09/08/02 7:00 AM	1,729.65	1,765.98	1,634.38	1,211.47	983.97	737.39	310.68	215.33	207.72
09/08/02 8:00 AM	1,729.73	1,766.34	1,637.39	1,213.43	984.74	738.24	311.23	216.78	208.07
09/08/02 9:00 AM	1,729.82	1,766.70	1,640.40	1,215.39	985.51	739.08	312.22	218.38	209.82
09/08/02 10:00 AM	1,730.74	1,765.60	1,643.41	1,217.35	986.28	739.91	313.89	219.88	212.05
09/08/02 11:00 AM	1,737.12	1,759.53	1,646.42	1,219.30	987.05	740.52	317.46	222.06	214.15
09/08/02 12:00 PM	1,743.27	1,772.22	1,649.42	1,221.26	987.82	740.65	315.34	220.71	212.96
09/08/02 1:00 PM	1,746.94	1,780.61	1,652.43	1,222.18	988.55	740.64	316.64	221.46	214.54
09/08/02 2:00 PM	1,749.45	1,785.08	1,653.27	1,222.32	988.26	740.35	315.10	220.65	214.15
09/08/02 3:00 PM	1,748.02	1,785.90	1,650.88	1,222.46	987.49	740.05	313.89	220.54	213.57
09/08/02 4:00 PM	1,746.22	1,786.42	1,648.46	1,222.61	986.73	739.75	314.52	220.18	213.79
09/08/02 5:00 PM	1,744.42	1,786.94	1,646.04	1,222.75	985.97	739.45	313.06	218.16	212.80
09/08/02 6:00 PM	1,742.62	1,787.45	1,643.62	1,222.90	985.20	739.15	312.33	217.34	211.57
09/08/02 7:00 PM	1,741.13	1,787.59	1,641.20	1,223.04	984.44	738.85	312.01	216.62	210.44
09/08/02 8:00 PM	1,744.23	1,783.25	1,638.78	1,223.10	983.67	738.55	315.95	217.84	212.56
09/08/02 9:00 PM	1,748.86	1,779.59	1,636.36	1,207.91	971.78	729.60	315.61	217.78	209.59
09/08/02 10:00 PM	1,750.37	1,785.96	1,633.72	1,202.64	960.69	726.90	302.77	211.12	202.30
09/08/02 11:00 PM	1,749.55	1,793.72	1,630.75	1,208.05	963.58	727.98	304.95	212.37	204.37

Date	09/07/02 00:00:00									
Hour	MS Flow	MS Temperature	MS Pressure	RH Flow	RH Temperature	RH Pressure	PA Temperature	SA Temperature	Bed Temperature	Combustor Lower Temperature
	KLBS/HR	DEG F	PSIG	KLBS/HR	DEG F	PSIG	DEG F	DEG F	DEG F	DEG F
	MSTMFX1C	SGGT3001	SGGP3002	SGJF3001	SGJT3001	SGJP3002	SGBT3125	SGBT3019	BDTPSP1C	SGAT3609
09/07/02 12:00 AM	737.29	1,003.74	1,913.75	24.99	1,004.92	430.68	436.24	413.94	1,656.00	1,726.32
09/07/02 1:00 AM	732.65	1,003.98	1,913.41	24.79	1,004.80	427.80	437.42	414.12	1,656.00	1,724.05
09/07/02 2:00 AM	737.40	1,004.05	1,913.68	24.77	1,004.84	425.10	438.60	414.30	1,656.00	1,723.38
09/07/02 3:00 AM	703.92	1,004.23	1,913.97	23.47	1,004.92	408.70	440.04	414.74	1,656.00	1,719.55
09/07/02 4:00 AM	715.65	1,004.22	1,914.25	24.18	1,005.01	417.64	441.92	417.60	1,656.00	1,712.15
09/07/02 5:00 AM	759.39	1,003.74	1,914.54	27.09	1,005.09	451.69	443.38	421.04	1,656.00	1,722.21
09/07/02 6:00 AM	756.79	1,004.25	1,914.83	27.15	1,005.18	452.66	444.05	423.81	1,656.00	1,735.96
09/07/02 7:00 AM	753.56	1,004.19	1,915.11	26.56	1,005.26	450.14	444.72	425.00	1,656.00	1,739.79
09/07/02 8:00 AM	751.88	1,003.95	1,915.40	26.77	1,005.35	445.98	445.38	426.12	1,656.00	1,740.27
09/07/02 9:00 AM	748.14	1,004.29	1,915.69	27.46	1,005.42	446.73	446.04	427.24	1,656.00	1,729.35
09/07/02 10:00 AM	734.64	1,003.97	1,915.97	27.20	1,005.37	449.65	446.70	428.37	1,656.00	1,718.71
09/07/02 11:00 AM	755.53	1,003.96	1,916.26	27.41	1,005.30	452.13	447.36	429.49	1,656.00	1,737.05
09/07/02 12:00 PM	768.68	1,003.95	1,916.54	28.60	1,005.23	460.81	448.03	429.97	1,656.00	1,736.24
09/07/02 1:00 PM	768.87	1,004.10	1,916.83	28.32	1,005.16	462.58	448.26	429.61	1,656.00	1,735.42
09/07/02 2:00 PM	772.33	1,003.94	1,917.12	28.09	1,005.08	464.06	447.77	429.25	1,656.00	1,734.60
09/07/02 3:00 PM	773.78	1,003.90	1,917.40	28.26	1,005.01	464.60	447.27	428.89	1,656.00	1,733.78
09/07/02 4:00 PM	775.90	1,004.12	1,917.69	28.14	1,004.94	464.76	446.77	428.53	1,656.00	1,732.97
09/07/02 5:00 PM	776.31	1,004.10	1,917.67	27.95	1,004.89	464.93	446.26	428.16	1,656.00	1,732.33
09/07/02 6:00 PM	783.51	1,004.01	1,917.11	27.82	1,005.07	464.83	445.76	427.80	1,656.00	1,731.77
09/07/02 7:00 PM	787.07	1,004.05	1,916.54	27.49	1,005.31	464.19	445.26	427.44	1,656.00	1,731.21
09/07/02 8:00 PM	785.98	1,004.19	1,915.97	27.10	1,005.54	463.54	444.75	428.07	1,656.00	1,730.64
09/07/02 9:00 PM	739.05	1,005.28	1,915.39	24.79	1,005.78	440.45	442.97	423.22	1,656.00	1,720.08
09/07/02 10:00 PM	707.64	1,003.51	1,914.82	23.53	1,006.01	419.92	434.94	408.22	1,656.00	1,703.44
09/07/02 11:00 PM	709.47	1,003.71	1,914.25	23.58	1,006.25	419.06	434.30	410.38	1,656.00	1,720.95

Date	09/07/02 00:00:00								
Hour	Combustor Middle Temperature	Combustor Upper Temperature	Cyclone Outlet Temperature	RHII Outlet Gas Temperature	Economizer Inlet Gas Temperature	Economizer Outlet Gas Temperature	Baghouse Inlet Temperature	PA Air Heater Cold End Temperature	SA Air Heater Cold End Temperature
	DEG F	DEG F	DEG F	DEG F	DEG F	DEG F	DEG F	DEG F	DEG F
	SGAT3609	SGAT3612	SGAT3627	SGAT3637	SGAT3639	SGAT3640	EMP	AHT:U3_PAETAVG	AHT:U3_SAETAVG
09/07/02 12:00 AM	1,726.32	1,759.01	1,615.08	1,192.16	964.48	715.29	308.48	217.04	205.88
09/07/02 1:00 AM	1,724.05	1,759.67	1,611.24	1,193.45	967.87	716.18	307.56	216.62	205.46
09/07/02 2:00 AM	1,723.38	1,760.57	1,607.90	1,194.73	971.27	717.07	308.20	216.75	206.42
09/07/02 3:00 AM	1,719.55	1,759.16	1,605.09	1,196.01	974.67	718.20	306.54	216.20	205.59
09/07/02 4:00 AM	1,712.15	1,754.66	1,602.88	1,197.26	978.03	720.63	306.98	215.60	207.06
09/07/02 5:00 AM	1,722.21	1,756.95	1,608.24	1,197.95	979.09	725.10	311.24	217.25	209.62
09/07/02 6:00 AM	1,735.96	1,761.67	1,615.87	1,198.39	978.74	726.08	310.17	216.32	209.14
09/07/02 7:00 AM	1,739.79	1,766.30	1,621.34	1,198.83	978.39	726.03	311.68	216.68	209.96
09/07/02 8:00 AM	1,740.27	1,770.67	1,620.60	1,199.27	978.04	725.98	313.04	218.52	211.35
09/07/02 9:00 AM	1,729.35	1,772.05	1,619.49	1,199.71	977.69	725.93	311.85	219.09	211.90
09/07/02 10:00 AM	1,718.71	1,758.27	1,616.07	1,201.74	977.53	725.89	313.68	221.02	212.00
09/07/02 11:00 AM	1,737.05	1,778.03	1,617.61	1,203.32	977.76	726.21	315.30	221.97	213.62
09/07/02 12:00 PM	1,736.24	1,779.84	1,620.65	1,204.34	978.00	727.14	315.63	221.85	214.25
09/07/02 1:00 PM	1,735.42	1,782.19	1,623.70	1,205.37	978.25	728.08	316.82	222.62	215.63
09/07/02 2:00 PM	1,734.60	1,784.54	1,626.74	1,206.40	978.49	729.02	318.02	223.58	215.49
09/07/02 3:00 PM	1,733.78	1,786.90	1,629.79	1,207.42	978.73	729.96	316.52	222.74	214.79
09/07/02 4:00 PM	1,732.97	1,787.19	1,632.73	1,208.45	978.98	730.90	316.36	222.52	214.25
09/07/02 5:00 PM	1,732.33	1,784.23	1,633.14	1,209.48	979.22	731.84	315.14	221.04	213.67
09/07/02 6:00 PM	1,731.77	1,781.19	1,632.46	1,210.32	979.35	732.78	313.94	219.81	212.68
09/07/02 7:00 PM	1,731.21	1,777.35	1,631.78	1,209.95	979.29	734.55	314.39	219.60	211.51
09/07/02 8:00 PM	1,730.64	1,773.23	1,631.10	1,209.37	979.22	737.22	314.96	219.19	211.20
09/07/02 9:00 PM	1,720.08	1,756.60	1,623.50	1,196.49	975.02	725.90	315.37	219.94	209.18
09/07/02 10:00 PM	1,703.44	1,738.71	1,602.85	1,186.12	963.45	722.73	304.32	213.73	203.01
09/07/02 11:00 PM	1,720.95	1,755.22	1,606.21	1,187.69	965.23	720.46	304.26	213.04	203.26

Date	09/06/02 00:00:00									
Hour	MS Flow	MS Temperature	MS Pressure	RH Flow	RH Temperature	RH Pressure	PA Temperature	SA Temperature	Bed Temperature	Combustor Lower Temperature
	KLBS/HR	DEG F	PSIG	KLBS/HR	DEG F	PSIG	DEG F	DEG F	DEG F	DEG F
	MSTMFX1C	SGGT3001	SGGP3002	SGJF3001	SGJT3001	SGJP3002	SGBT3125	SGBT3019	BDTPSP1C	SGAT3609
09/06/02 12:00 AM	727.31	1,003.89	1,913.26	24.04	1,006.16	425.20	439.57	419.72	1,656.00	1,715.43
09/06/02 1:00 AM	706.83	1,003.80	1,912.65	23.47	1,006.24	416.93	438.57	420.68	1,656.00	1,715.53
09/06/02 2:00 AM	707.60	1,004.06	1,912.91	23.22	1,006.23	415.83	437.59	421.64	1,656.00	1,715.64
09/06/02 3:00 AM	703.84	1,004.03	1,913.20	22.96	1,006.20	414.77	437.32	422.61	1,656.00	1,715.32
09/06/02 4:00 AM	702.98	1,003.90	1,913.49	23.03	1,006.17	413.11	437.40	423.57	1,656.00	1,705.81
09/06/02 5:00 AM	677.46	1,003.92	1,913.77	22.03	1,006.13	401.08	437.48	424.52	1,656.00	1,695.23
09/06/02 6:00 AM	674.70	1,003.81	1,914.06	21.64	1,006.10	393.44	437.57	424.63	1,656.00	1,700.96
09/06/02 7:00 AM	707.12	1,003.66	1,914.35	23.54	1,006.07	416.42	437.89	424.03	1,656.00	1,713.52
09/06/02 8:00 AM	736.25	1,003.72	1,914.63	24.86	1,006.03	433.59	440.34	423.35	1,656.00	1,725.31
09/06/02 9:00 AM	748.62	1,004.09	1,914.98	25.84	1,006.00	442.06	441.85	421.27	1,656.00	1,723.03
09/06/02 10:00 AM	694.00	1,004.04	1,915.46	23.58	1,005.99	405.02	441.56	418.17	1,656.00	1,688.57
09/06/02 11:00 AM	697.47	1,004.07	1,915.93	23.69	1,005.98	407.44	439.80	420.52	1,656.00	1,695.61
09/06/02 12:00 PM	752.21	1,003.59	1,916.41	27.16	1,005.97	452.37	440.47	424.86	1,656.00	1,741.71
09/06/02 1:00 PM	763.29	1,003.93	1,916.89	27.39	1,005.97	454.27	441.96	425.75	1,656.00	1,742.45
09/06/02 2:00 PM	749.77	1,003.79	1,917.36	27.71	1,005.96	455.47	443.43	426.64	1,656.00	1,742.05
09/06/02 3:00 PM	756.07	1,003.86	1,917.84	27.67	1,005.95	454.09	443.74	427.52	1,656.00	1,741.71
09/06/02 4:00 PM	758.43	1,003.87	1,918.32	27.61	1,005.94	454.82	443.30	428.41	1,656.00	1,741.37
09/06/02 5:00 PM	766.33	1,003.92	1,918.41	27.94	1,005.93	455.76	442.87	429.30	1,656.00	1,741.04
09/06/02 6:00 PM	771.60	1,003.96	1,917.76	28.40	1,005.80	456.32	442.44	430.18	1,656.00	1,740.71
09/06/02 7:00 PM	765.92	1,003.97	1,917.09	28.40	1,005.66	455.76	442.01	430.58	1,656.00	1,741.30
09/06/02 8:00 PM	760.88	1,003.86	1,916.42	27.80	1,005.51	452.29	441.57	430.47	1,656.00	1,742.56
09/06/02 9:00 PM	752.47	1,004.46	1,915.76	27.59	1,005.36	449.68	440.51	424.51	1,656.00	1,741.54
09/06/02 10:00 PM	725.63	1,003.72	1,915.09	25.36	1,005.22	428.95	436.41	414.12	1,656.00	1,736.50
09/06/02 11:00 PM	724.91	1,003.84	1,914.42	25.27	1,005.07	426.98	435.06	413.84	1,656.00	1,731.38

Date	09/06/02 00:00:00								
Hour	Combustor Middle Temperature	Combustor Upper Temperature	Cyclone Outlet Temperature	RHII Outlet Gas Temperature	Economizer Inlet Gas Temperature	Economizer Outlet Gas Temperature	Baghouse Inlet Temperature	PA Air Heater Cold End Temperature	SA Air Heater Cold End Temperature
	DEG F	DEG F	DEG F	DEG F	DEG F	DEG F	DEG F	DEG F	DEG F
	SGAT3609	SGAT3612	SGAT3627	SGAT3637	SGAT3639	SGAT3640	EMP	AHT:U3_PAETAVG	AHT:U3_SAETAVG
09/06/02 12:00 AM	1,715.43	1,755.41	1,609.83	1,193.40	969.33	720.34	309.34	216.83	205.87
09/06/02 1:00 AM	1,715.53	1,751.54	1,606.78	1,191.15	970.08	719.39	306.95	214.79	207.63
09/06/02 2:00 AM	1,715.64	1,747.68	1,604.48	1,188.90	970.82	721.21	307.72	214.92	208.57
09/06/02 3:00 AM	1,715.32	1,743.81	1,602.19	1,186.65	971.56	723.19	308.27	215.06	208.97
09/06/02 4:00 AM	1,705.81	1,739.95	1,599.90	1,184.41	972.30	725.17	308.07	214.39	209.34
09/06/02 5:00 AM	1,695.23	1,736.08	1,597.60	1,183.81	974.15	726.29	304.80	211.67	208.78
09/06/02 6:00 AM	1,700.96	1,739.01	1,595.31	1,189.96	978.73	725.25	305.16	211.94	209.91
09/06/02 7:00 AM	1,713.52	1,757.81	1,596.94	1,197.19	983.15	726.22	307.37	213.55	210.31
09/06/02 8:00 AM	1,725.31	1,754.75	1,619.49	1,206.40	984.94	731.91	311.69	217.51	209.75
09/06/02 9:00 AM	1,723.03	1,759.40	1,617.49	1,205.72	982.76	728.06	311.91	218.76	209.29
09/06/02 10:00 AM	1,688.57	1,721.26	1,606.06	1,196.95	979.20	722.73	310.85	218.82	210.77
09/06/02 11:00 AM	1,695.61	1,725.21	1,600.93	1,191.67	975.92	721.83	308.27	218.06	209.84
09/06/02 12:00 PM	1,741.71	1,779.29	1,620.86	1,211.77	977.59	722.66	313.82	220.28	213.48
09/06/02 1:00 PM	1,742.45	1,781.12	1,625.92	1,211.67	980.32	723.62	314.63	220.98	214.79
09/06/02 2:00 PM	1,742.05	1,781.72	1,628.34	1,211.20	981.42	724.51	314.79	221.62	215.45
09/06/02 3:00 PM	1,741.71	1,782.73	1,627.84	1,210.72	980.43	724.74	312.61	220.50	214.13
09/06/02 4:00 PM	1,741.37	1,783.86	1,627.34	1,210.24	979.43	724.79	310.92	219.40	213.57
09/06/02 5:00 PM	1,741.04	1,784.99	1,626.84	1,209.77	978.44	724.77	311.20	219.21	212.45
09/06/02 6:00 PM	1,740.71	1,786.14	1,626.34	1,208.89	977.44	723.79	312.17	219.27	212.84
09/06/02 7:00 PM	1,741.30	1,788.12	1,625.85	1,203.29	976.44	722.52	314.58	219.85	214.52
09/06/02 8:00 PM	1,742.56	1,790.57	1,625.35	1,196.32	975.45	721.24	313.43	218.66	213.08
09/06/02 9:00 PM	1,741.54	1,788.62	1,624.85	1,191.77	961.21	712.84	313.88	219.18	210.46
09/06/02 10:00 PM	1,736.50	1,777.63	1,622.75	1,191.61	960.05	713.50	303.07	214.38	203.82
09/06/02 11:00 PM	1,731.38	1,766.37	1,618.91	1,191.56	961.44	714.39	305.92	216.12	204.79

Date	09/05/02 00:00:00									
Hour	MS Flow	MS Temperature	MS Pressure	RH Flow	RH Temperature	RH Pressure	PA Temperature	SA Temperature	Bed Temperature	Combustor Lower Temperature
	KLBS/HR	DEG F	PSIG	KLBS/HR	DEG F	PSIG	DEG F	DEG F	DEG F	DEG F
	MSTMFX1C	SGGT3001	SGGP3002	SGJF3001	SGJT3001	SGJP3002	SGBT3125	SGBT3019	BDTPSP1C	SGAT3609
09/05/02 12:00 AM	729.84	1,003.76	1,913.08	24.15	1,004.55	427.00	439.02	419.72	1,656.00	1,716.08
09/05/02 1:00 AM	730.01	1,003.90	1,912.70	24.20	1,004.55	427.67	439.32	421.43	1,656.00	1,718.77
09/05/02 2:00 AM	725.13	1,004.00	1,913.16	24.13	1,004.67	426.98	439.63	423.15	1,656.00	1,721.46
09/05/02 3:00 AM	726.52	1,004.12	1,913.63	23.90	1,004.82	427.13	439.93	424.86	1,656.00	1,723.27
09/05/02 4:00 AM	729.02	1,003.62	1,914.11	23.75	1,004.97	424.65	440.16	426.57	1,656.00	1,718.23
09/05/02 5:00 AM	746.52	1,004.24	1,914.59	24.55	1,005.12	437.78	440.35	428.28	1,656.00	1,718.68
09/05/02 6:00 AM	768.07	1,003.79	1,915.07	25.80	1,005.27	452.33	440.54	429.44	1,656.00	1,740.64
09/05/02 7:00 AM	772.15	1,004.13	1,915.54	25.83	1,005.42	452.24	440.73	429.10	1,656.00	1,739.68
09/05/02 8:00 AM	772.04	1,004.12	1,916.02	25.48	1,005.57	452.16	440.93	428.67	1,656.00	1,741.32
09/05/02 9:00 AM	772.54	1,003.87	1,916.53	25.42	1,005.71	452.09	441.12	428.25	1,656.00	1,742.97
09/05/02 10:00 AM	773.14	1,004.02	1,917.10	25.62	1,005.71	452.02	441.31	427.82	1,656.00	1,744.61
09/05/02 11:00 AM	767.40	1,003.92	1,917.67	25.99	1,005.69	452.83	441.51	427.40	1,656.00	1,746.25
09/05/02 12:00 PM	777.02	1,003.83	1,918.25	27.05	1,005.66	460.26	441.70	426.97	1,656.00	1,747.89
09/05/02 1:00 PM	772.56	1,003.84	1,918.82	27.75	1,005.63	458.80	441.90	426.55	1,656.00	1,749.53
09/05/02 2:00 PM	777.16	1,004.00	1,919.39	27.01	1,005.61	456.69	442.10	426.46	1,656.00	1,751.04
09/05/02 3:00 PM	786.11	1,003.91	1,919.96	27.06	1,005.58	459.47	442.30	427.30	1,656.00	1,751.81
09/05/02 4:00 PM	789.02	1,003.97	1,920.54	27.54	1,005.55	462.18	442.50	428.19	1,656.00	1,752.47
09/05/02 5:00 PM	792.50	1,003.94	1,920.58	27.51	1,005.54	464.16	442.70	429.08	1,656.00	1,753.14
09/05/02 6:00 PM	792.77	1,003.99	1,919.56	27.41	1,005.61	467.56	442.90	429.97	1,656.00	1,753.80
09/05/02 7:00 PM	796.30	1,003.96	1,918.51	27.30	1,005.70	470.77	443.08	430.85	1,656.00	1,754.46
09/05/02 8:00 PM	796.19	1,004.09	1,917.46	27.14	1,005.79	465.44	442.92	431.74	1,656.00	1,755.12
09/05/02 9:00 PM	771.40	1,004.94	1,916.41	26.57	1,005.88	456.42	442.50	426.54	1,656.00	1,753.17
09/05/02 10:00 PM	742.63	1,003.86	1,915.36	24.77	1,005.97	437.14	441.58	417.80	1,656.00	1,738.58
09/05/02 11:00 PM	728.83	1,003.77	1,914.31	24.49	1,006.07	429.08	440.57	418.76	1,656.00	1,722.34

Date	09/05/02 00:00:00								
Hour	Combustor Middle Temperature	Combustor Upper Temperature	Cyclone Outlet Temperature	RHII Outlet Gas Temperature	Economizer Inlet Gas Temperature	Economizer Outlet Gas Temperature	Baghouse Inlet Temperature	PA Air Heater Cold End Temperature	SA Air Heater Cold End Temperature
	DEG F	DEG F	DEG F	DEG F	DEG F	DEG F	DEG F	DEG F	DEG F
	SGAT3609	SGAT3612	SGAT3627	SGAT3637	SGAT3639	SGAT3640	EMP	AHT:U3_PAETAVG	AHT:U3_SAETAVG
09/05/02 12:00 AM	1,716.08	1,758.90	1,634.62	1,202.95	972.48	725.66	306.79	214.11	207.02
09/05/02 1:00 AM	1,718.77	1,760.06	1,635.49	1,205.08	975.16	727.69	306.77	214.27	207.83
09/05/02 2:00 AM	1,721.46	1,761.21	1,636.37	1,207.22	977.84	729.73	306.72	213.87	208.38
09/05/02 3:00 AM	1,723.27	1,761.96	1,637.25	1,209.35	980.53	731.76	308.50	214.51	210.50
09/05/02 4:00 AM	1,718.23	1,759.78	1,638.13	1,211.49	983.21	733.80	311.59	216.31	211.88
09/05/02 5:00 AM	1,718.68	1,760.11	1,639.01	1,213.45	985.88	735.83	312.50	217.43	211.57
09/05/02 6:00 AM	1,740.64	1,779.54	1,639.97	1,214.17	986.51	737.85	312.16	216.93	211.67
09/05/02 7:00 AM	1,739.68	1,781.27	1,641.59	1,214.65	985.68	738.35	311.93	217.32	210.73
09/05/02 8:00 AM	1,741.32	1,782.52	1,643.36	1,215.12	984.86	737.90	311.93	217.48	211.22
09/05/02 9:00 AM	1,742.97	1,783.78	1,645.13	1,215.59	984.03	737.45	312.87	218.31	212.42
09/05/02 10:00 AM	1,744.61	1,785.04	1,646.90	1,216.06	983.21	737.01	315.62	220.09	213.16
09/05/02 11:00 AM	1,746.25	1,786.29	1,648.67	1,216.54	982.38	736.56	314.73	220.11	213.03
09/05/02 12:00 PM	1,747.89	1,787.54	1,650.19	1,217.01	981.56	736.11	313.85	220.37	213.05
09/05/02 1:00 PM	1,749.53	1,788.71	1,650.50	1,217.39	980.74	735.67	312.93	220.08	212.83
09/05/02 2:00 PM	1,751.04	1,789.86	1,650.64	1,217.32	980.60	735.23	312.42	219.72	213.14
09/05/02 3:00 PM	1,751.81	1,791.00	1,650.78	1,217.17	980.96	735.43	314.47	220.74	214.55
09/05/02 4:00 PM	1,752.47	1,792.15	1,650.93	1,217.03	981.32	736.04	313.79	220.27	214.44
09/05/02 5:00 PM	1,753.14	1,793.30	1,651.07	1,216.89	981.67	736.65	313.49	219.48	213.22
09/05/02 6:00 PM	1,753.80	1,794.45	1,651.21	1,216.75	982.03	737.26	314.21	219.24	212.84
09/05/02 7:00 PM	1,754.46	1,795.59	1,651.35	1,216.61	982.39	737.17	313.34	218.18	212.23
09/05/02 8:00 PM	1,755.12	1,794.10	1,649.87	1,216.47	982.74	735.16	313.27	217.63	212.76
09/05/02 9:00 PM	1,753.17	1,778.52	1,640.34	1,205.07	970.91	726.40	316.37	220.09	211.73
09/05/02 10:00 PM	1,738.58	1,763.91	1,629.71	1,197.89	967.85	724.22	309.69	217.25	206.90
09/05/02 11:00 PM	1,722.34	1,759.27	1,619.08	1,195.64	968.59	722.28	308.72	216.55	206.17

Date	09/04/02 00:00:00									
Hour	MS Flow	MS Temperature	MS Pressure	RH Flow	RH Temperature	RH Pressure	PA Temperature	SA Temperature	Bed Temperature	Combustor Lower Temperature
	KLBS/HR	DEG F	PSIG	KLBS/HR	DEG F	PSIG	DEG F	DEG F	DEG F	DEG F
	MSTMFX1C	SGGT3001	SGGP3002	SGJF3001	SGJT3001	SGJP3002	SGBT3125	SGBT3019	BDTPSP1C	SGAT3609
09/04/02 12:00 AM	730.46	1,003.78	1,914.89	25.66	1,005.79	433.48	435.15	414.17	1,656.00	1,752.74
09/04/02 1:00 AM	738.79	1,004.00	1,914.86	23.38	1,006.57	418.62	434.96	414.30	1,656.00	1,765.68
09/04/02 2:00 AM	733.47	1,003.69	1,914.95	23.84	1,006.70	419.45	434.77	414.43	1,656.00	1,765.95
09/04/02 3:00 AM	700.29	1,003.62	1,915.05	22.96	1,006.65	398.40	434.25	414.57	1,656.00	1,754.98
09/04/02 4:00 AM	631.69	1,003.85	1,915.14	18.55	1,006.61	338.98	428.13	415.72	1,656.00	1,744.02
09/04/02 5:00 AM	694.67	1,004.13	1,915.24	21.39	1,006.56	382.40	432.25	418.09	1,656.00	1,749.00
09/04/02 6:00 AM	735.76	1,004.19	1,915.33	23.10	1,006.52	408.38	438.20	420.46	1,656.00	1,759.94
09/04/02 7:00 AM	758.69	1,004.24	1,915.43	24.39	1,006.47	425.70	439.94	422.83	1,656.00	1,756.49
09/04/02 8:00 AM	763.98	1,004.22	1,915.52	25.73	1,006.43	432.22	439.62	425.20	1,656.00	1,753.04
09/04/02 9:00 AM	767.49	1,005.01	1,915.71	25.65	1,006.37	416.46	439.30	427.48	1,656.00	1,749.59
09/04/02 10:00 AM	769.72	1,003.49	1,916.08	25.96	1,006.19	414.79	438.98	428.40	1,656.00	1,746.99
09/04/02 11:00 AM	766.00	1,003.99	1,916.46	25.57	1,005.97	417.08	438.65	428.85	1,656.00	1,748.31
09/04/02 12:00 PM	770.24	1,003.81	1,916.85	26.07	1,005.75	426.55	438.33	429.31	1,656.00	1,750.13
09/04/02 1:00 PM	774.24	1,004.22	1,917.23	25.01	1,005.54	429.31	438.01	429.76	1,656.00	1,751.94
09/04/02 2:00 PM	764.23	1,004.26	1,917.61	23.55	1,005.32	422.65	437.71	430.22	1,656.00	1,753.76
09/04/02 3:00 PM	774.14	1,003.72	1,917.99	25.18	1,005.10	437.05	437.93	430.67	1,656.00	1,754.92
09/04/02 4:00 PM	781.50	1,004.60	1,918.37	26.16	1,004.88	448.48	438.39	430.73	1,656.00	1,753.74
09/04/02 5:00 PM	785.62	1,004.28	1,918.39	26.36	1,004.68	456.25	438.86	430.27	1,656.00	1,752.33
09/04/02 6:00 PM	783.54	1,003.96	1,917.65	26.34	1,004.63	460.08	439.32	429.79	1,656.00	1,750.93
09/04/02 7:00 PM	787.49	1,004.02	1,916.89	26.28	1,004.62	461.50	439.79	429.32	1,656.00	1,749.52
09/04/02 8:00 PM	780.51	1,003.78	1,916.13	26.54	1,004.60	458.61	440.24	428.85	1,656.00	1,748.12
09/04/02 9:00 PM	771.22	1,004.97	1,915.36	26.37	1,004.59	453.81	439.01	426.86	1,656.00	1,744.92
09/04/02 10:00 PM	761.41	1,003.29	1,914.60	25.44	1,004.58	446.84	438.41	417.07	1,656.00	1,729.29
09/04/02 11:00 PM	733.46	1,004.19	1,913.84	24.14	1,004.57	426.82	438.71	418.01	1,656.00	1,715.03

Date	09/04/02 00:00:00								
Hour	Combustor Middle Temperature	Combustor Upper Temperature	Cyclone Outlet Temperature	RHII Outlet Gas Temperature	Economizer Inlet Gas Temperature	Economizer Outlet Gas Temperature	Baghouse Inlet Temperature	PA Air Heater Cold End Temperature	SA Air Heater Cold End Temperature
	DEG F	DEG F	DEG F	DEG F	DEG F	DEG F	DEG F	DEG F	DEG F
	SGAT3609	SGAT3612	SGAT3627	SGAT3637	SGAT3639	SGAT3640	EMP	AHT:U3_PAETA VG	AHT:U3_SAETA VG
09/04/02 12:00 AM	1,752.74	1,789.27	1,636.91	1,202.81	967.74	737.22	305.56	210.50	205.46
09/04/02 1:00 AM	1,765.68	1,803.07	1,636.43	1,206.56	973.03	743.96	307.32	211.63	205.92
09/04/02 2:00 AM	1,765.95	1,799.51	1,635.94	1,210.30	978.28	742.08	307.04	211.28	205.53
09/04/02 3:00 AM	1,754.98	1,780.56	1,633.52	1,205.24	972.68	736.68	305.75	209.58	204.98
09/04/02 4:00 AM	1,744.02	1,780.49	1,611.68	1,184.90	964.93	722.47	295.27	203.40	203.71
09/04/02 5:00 AM	1,749.00	1,795.87	1,616.85	1,202.60	978.32	735.62	301.04	206.30	206.96
09/04/02 6:00 AM	1,759.94	1,789.88	1,631.90	1,215.16	981.77	746.38	309.07	211.58	207.87
09/04/02 7:00 AM	1,756.49	1,780.39	1,636.39	1,216.40	983.97	744.90	310.12	212.45	207.73
09/04/02 8:00 AM	1,753.04	1,773.95	1,637.84	1,217.42	986.17	743.43	313.84	215.62	213.11
09/04/02 9:00 AM	1,749.59	1,774.88	1,639.29	1,218.43	988.11	741.97	313.23	216.09	212.65
09/04/02 10:00 AM	1,746.99	1,776.13	1,640.74	1,219.44	988.50	740.70	316.02	218.79	216.86
09/04/02 11:00 AM	1,748.31	1,777.38	1,642.20	1,220.46	988.64	739.48	315.73	219.56	217.53
09/04/02 12:00 PM	1,750.13	1,778.55	1,643.65	1,221.47	988.77	738.26	316.14	219.61	216.98
09/04/02 1:00 PM	1,751.94	1,779.54	1,645.10	1,222.48	988.91	737.04	313.73	217.33	214.65
09/04/02 2:00 PM	1,753.76	1,780.52	1,646.35	1,222.72	989.04	735.82	312.74	217.16	213.78
09/04/02 3:00 PM	1,754.92	1,781.19	1,645.27	1,221.54	989.17	734.66	314.28	217.84	214.38
09/04/02 4:00 PM	1,753.74	1,780.85	1,643.53	1,220.34	989.31	734.13	315.65	219.09	214.70
09/04/02 5:00 PM	1,752.33	1,780.42	1,641.78	1,219.14	988.92	733.79	316.23	218.88	214.73
09/04/02 6:00 PM	1,750.93	1,779.99	1,640.04	1,217.93	986.11	733.44	315.43	218.63	214.36
09/04/02 7:00 PM	1,749.52	1,779.56	1,638.29	1,216.73	982.99	733.09	313.88	217.77	211.99
09/04/02 8:00 PM	1,748.12	1,779.14	1,636.55	1,215.53	979.87	732.75	314.21	218.33	209.23
09/04/02 9:00 PM	1,744.92	1,771.53	1,634.80	1,206.37	974.12	724.33	309.41	216.51	205.78
09/04/02 10:00 PM	1,729.29	1,758.57	1,633.29	1,198.68	967.11	726.25	308.28	214.94	206.84
09/04/02 11:00 PM	1,715.03	1,757.75	1,633.74	1,200.81	969.80	725.22	305.72	210.55	206.85

Date	09/03/02 00:00:00									
Hour	MS Flow	MS Temperature	MS Pressure	RH Flow	RH Temperature	RH Pressure	PA Temperature	SA Temperature	Bed Temperature	Combustor Lower Temperature
	KLBS/HR	DEG F	PSIG	KLBS/HR	DEG F	PSIG	DEG F	DEG F	DEG F	DEG F
	MSTMFX1C	SGGT3001	SGGP3002	SGJF3001	SGJT3001	SGJP3002	SGBT3125	SGBT3019	BDTPSP1C	SGAT3609
09/03/02 12:00 AM	756.60	1,003.94	1,918.02	24.49	1,005.26	452.48	439.25	413.16	1,656.00	1,764.09
09/03/02 1:00 AM	763.11	1,003.89	1,916.76	23.82	1,005.38	454.89	439.59	416.54	1,656.00	1,755.62
09/03/02 2:00 AM	761.99	1,003.78	1,916.35	23.78	1,005.50	454.12	439.94	419.90	1,656.00	1,747.01
09/03/02 3:00 AM	759.80	1,003.90	1,916.35	23.98	1,005.62	453.92	440.29	421.61	1,656.00	1,746.30
09/03/02 4:00 AM	759.04	1,004.04	1,916.35	23.96	1,005.65	453.72	440.63	422.35	1,656.00	1,749.40
09/03/02 5:00 AM	755.40	1,003.82	1,916.35	24.28	1,005.48	453.58	440.98	423.08	1,656.00	1,752.51
09/03/02 6:00 AM	757.13	1,003.99	1,916.35	23.82	1,005.31	453.53	441.32	423.81	1,656.00	1,755.97
09/03/02 7:00 AM	756.05	1,003.83	1,916.35	23.73	1,005.15	453.49	441.66	424.56	1,656.00	1,759.55
09/03/02 8:00 AM	763.73	1,004.12	1,916.35	24.06	1,004.98	453.23	441.98	425.32	1,656.00	1,761.93
09/03/02 9:00 AM	757.68	1,003.76	1,916.32	24.26	1,004.81	454.93	442.30	426.08	1,656.00	1,762.97
09/03/02 10:00 AM	760.67	1,003.99	1,916.23	24.31	1,004.64	455.13	442.63	427.80	1,656.00	1,764.01
09/03/02 11:00 AM	764.81	1,003.96	1,916.14	24.33	1,004.47	454.07	442.95	430.34	1,656.00	1,765.06
09/03/02 12:00 PM	778.76	1,004.18	1,916.04	24.78	1,004.11	457.82	443.27	432.89	1,656.00	1,765.82
09/03/02 1:00 PM	782.95	1,004.02	1,915.94	24.79	1,003.33	460.79	443.59	434.08	1,656.00	1,762.42
09/03/02 2:00 PM	783.93	1,004.35	1,915.85	25.36	1,002.55	460.94	443.91	433.07	1,656.00	1,757.63
09/03/02 3:00 PM	785.32	1,003.93	1,915.75	25.22	1,001.76	460.96	443.95	432.03	1,656.00	1,752.84
09/03/02 4:00 PM	779.42	1,004.33	1,915.66	23.83	1,000.98	446.17	443.40	430.99	1,656.00	1,748.05
09/03/02 5:00 PM	728.55	1,003.52	1,915.56	22.46	1,000.29	420.46	442.84	425.74	1,656.00	1,717.50
09/03/02 6:00 PM	680.25	1,004.57	1,915.47	26.06	1,000.79	421.79	442.28	415.92	1,656.00	1,684.08
09/03/02 7:00 PM	686.46	1,004.03	1,915.37	26.28	1,001.62	423.08	441.71	416.83	1,656.00	1,693.25
09/03/02 8:00 PM	688.69	1,003.68	1,915.28	26.57	1,002.45	425.95	441.15	419.52	1,656.00	1,702.45
09/03/02 9:00 PM	701.25	1,003.72	1,915.18	26.88	1,003.29	432.59	440.58	422.53	1,656.00	1,713.91
09/03/02 10:00 PM	692.95	1,005.78	1,915.09	26.26	1,004.12	431.81	439.93	425.81	1,656.00	1,726.85
09/03/02 11:00 PM	711.29	1,002.47	1,914.99	25.78	1,004.96	431.41	437.00	417.52	1,656.00	1,739.80

Date	09/03/02 00:00:00								
Hour	Combustor Middle Temperature	Combustor Upper Temperature	Cyclone Outlet Temperature	RHII Outlet Gas Temperature	Economizer Inlet Gas Temperature	Economizer Outlet Gas Temperature	Baghouse Inlet Temperature	PA Air Heater Cold End Temperature	SA Air Heater Cold End Temperature
	DEG F	DEG F	DEG F	DEG F	DEG F	DEG F	DEG F	DEG F	DEG F
	SGAT3609	SGAT3612	SGAT3627	SGAT3637	SGAT3639	SGAT3640	EMP	AHT:U3_PAETAVG	AHT:U3_SAETAVG
09/03/02 12:00 AM	1,764.09	1,798.99	1,659.90	1,210.48	966.36	740.47	309.34	213.78	202.76
09/03/02 1:00 AM	1,755.62	1,780.65	1,659.86	1,212.25	969.13	743.24	312.70	214.94	205.65
09/03/02 2:00 AM	1,747.01	1,770.38	1,659.69	1,214.01	971.90	746.00	312.43	214.29	206.49
09/03/02 3:00 AM	1,746.30	1,772.01	1,659.52	1,215.78	974.67	747.14	311.61	213.94	205.47
09/03/02 4:00 AM	1,749.40	1,776.58	1,659.35	1,217.54	977.44	747.08	313.15	214.32	207.04
09/03/02 5:00 AM	1,752.51	1,782.83	1,659.18	1,219.31	980.21	747.03	310.60	213.14	205.22
09/03/02 6:00 AM	1,755.97	1,789.07	1,659.01	1,220.99	982.85	746.97	311.00	213.46	205.81
09/03/02 7:00 AM	1,759.55	1,795.32	1,658.84	1,221.86	983.75	746.92	311.69	213.03	207.39
09/03/02 8:00 AM	1,761.93	1,797.71	1,658.71	1,222.54	984.12	746.86	310.07	212.51	207.02
09/03/02 9:00 AM	1,762.97	1,796.00	1,659.20	1,223.22	984.49	745.96	311.36	214.09	209.10
09/03/02 10:00 AM	1,764.01	1,794.29	1,659.91	1,223.90	984.87	742.75	313.31	215.77	213.15
09/03/02 11:00 AM	1,765.06	1,790.99	1,660.61	1,224.58	985.24	743.38	312.60	216.40	213.64
09/03/02 12:00 PM	1,765.82	1,784.86	1,661.31	1,225.27	985.61	744.24	315.54	218.77	216.40
09/03/02 1:00 PM	1,762.42	1,780.78	1,662.02	1,225.95	985.98	745.10	318.99	220.58	221.15
09/03/02 2:00 PM	1,757.63	1,781.95	1,662.72	1,226.25	986.15	745.07	318.72	220.96	220.40
09/03/02 3:00 PM	1,752.84	1,783.38	1,663.42	1,224.17	983.77	744.07	318.94	220.94	219.76
09/03/02 4:00 PM	1,748.05	1,784.81	1,663.85	1,221.67	980.62	743.08	317.77	220.37	218.56
09/03/02 5:00 PM	1,717.50	1,750.50	1,660.93	1,214.31	974.55	738.41	312.88	217.17	213.55
09/03/02 6:00 PM	1,684.08	1,712.86	1,657.01	1,202.98	965.99	731.41	309.46	215.57	209.10
09/03/02 7:00 PM	1,693.25	1,721.66	1,653.09	1,201.35	968.16	732.14	307.76	213.51	208.70
09/03/02 8:00 PM	1,702.45	1,730.61	1,649.17	1,199.72	970.34	732.86	307.86	212.58	207.68
09/03/02 9:00 PM	1,713.91	1,746.56	1,645.24	1,198.09	972.52	733.59	307.73	211.24	210.66
09/03/02 10:00 PM	1,726.85	1,761.65	1,641.32	1,196.68	970.65	723.00	310.37	212.32	213.49
09/03/02 11:00 PM	1,739.80	1,775.46	1,637.83	1,199.06	962.45	727.22	305.72	210.55	206.85

Date	09/02/02 00:00:00									
Hour	MS Flow	MS Temperature	MS Pressure	RH Flow	RH Temperature	RH Pressure	PA Temperature	SA Temperature	Bed Temperature	Combustor Lower Temperature
	KLBS/HR	DEG F	PSIG	KLBS/HR	DEG F	PSIG	DEG F	DEG F	DEG F	DEG F
	MSTMFX1C	SGGT3001	SGGP3002	SGJF3001	SGJT3001	SGJP3002	SGBT3125	SGBT3019	BDTPSP1C	SGAT3609
09/02/02 12:00 AM	678.91	1,004.39	1,911.03	24.62	1,009.95	408.43	439.17	416.48	1,656.00	1,659.15
09/02/02 1:00 AM	689.83	1,003.90	1,911.31	22.46	1,009.38	405.42	439.07	409.63	1,656.00	1,667.65
09/02/02 2:00 AM	706.36	1,003.74	1,911.60	21.14	1,008.81	408.22	439.49	409.02	1,656.00	1,681.52
09/02/02 3:00 AM	711.07	1,003.71	1,911.88	23.42	1,008.25	424.55	439.91	414.11	1,656.00	1,692.54
09/02/02 4:00 AM	716.67	1,003.77	1,912.17	21.78	1,007.78	421.59	440.34	416.13	1,656.00	1,698.43
09/02/02 5:00 AM	738.29	1,003.98	1,912.45	22.32	1,007.54	427.18	440.75	422.00	1,656.00	1,710.18
09/02/02 6:00 AM	742.38	1,003.78	1,912.67	23.45	1,007.31	429.56	440.90	423.57	1,656.00	1,718.75
09/02/02 7:00 AM	741.71	1,004.01	1,912.87	23.74	1,007.08	431.65	440.96	424.73	1,656.00	1,727.32
09/02/02 8:00 AM	742.24	1,004.02	1,913.06	23.41	1,006.85	435.80	441.01	425.89	1,656.00	1,735.89
09/02/02 9:00 AM	751.16	1,003.93	1,913.25	23.49	1,006.62	441.11	441.06	427.05	1,656.00	1,744.46
09/02/02 10:00 AM	744.24	1,003.66	1,913.44	24.02	1,006.39	439.96	441.11	428.21	1,656.00	1,744.91
09/02/02 11:00 AM	740.34	1,004.16	1,913.63	23.37	1,006.17	434.67	441.18	429.35	1,656.00	1,734.35
09/02/02 12:00 PM	743.18	1,004.46	1,913.82	23.19	1,005.96	436.85	441.45	430.39	1,656.00	1,738.50
09/02/02 1:00 PM	747.20	1,003.50	1,914.01	23.38	1,005.80	440.84	441.82	431.40	1,656.00	1,742.65
09/02/02 2:00 PM	748.72	1,003.67	1,914.20	23.94	1,005.65	445.45	442.18	432.42	1,656.00	1,746.80
09/02/02 3:00 PM	753.21	1,003.81	1,914.39	24.05	1,005.49	449.82	442.54	433.44	1,656.00	1,750.95
09/02/02 4:00 PM	756.33	1,003.95	1,914.58	23.90	1,005.33	452.57	442.90	434.20	1,656.00	1,752.49
09/02/02 5:00 PM	752.06	1,004.39	1,914.77	24.05	1,005.18	455.06	443.26	433.17	1,656.00	1,749.16
09/02/02 6:00 PM	756.46	1,003.67	1,914.97	24.64	1,005.02	459.10	443.62	431.77	1,656.00	1,755.03
09/02/02 7:00 PM	773.52	1,004.00	1,915.16	25.03	1,004.87	464.84	444.03	430.39	1,656.00	1,762.34
09/02/02 8:00 PM	780.96	1,003.67	1,915.35	24.74	1,004.79	461.61	445.25	431.51	1,656.00	1,769.30
09/02/02 9:00 PM	763.77	1,004.61	1,915.56	24.38	1,004.90	454.32	446.80	430.22	1,656.00	1,770.55
09/02/02 10:00 PM	758.49	1,003.92	1,916.24	25.02	1,005.02	454.76	445.16	419.36	1,656.00	1,769.23
09/02/02 11:00 PM	761.37	1,003.74	1,917.13	24.68	1,005.14	453.10	439.11	409.84	1,656.00	1,767.45

Date	09/02/02 00:00:00								
Hour	Combustor Middle Temperature	Combustor Upper Temperature	Cyclone Outlet Temperature	RHII Outlet Gas Temperature	Economizer Inlet Gas Temperature	Economizer Outlet Gas Temperature	Baghouse Inlet Temperature	PA Air Heater Cold End Temperature	SA Air Heater Cold End Temperature
	DEG F	DEG F	DEG F	DEG F	DEG F	DEG F	DEG F	DEG F	DEG F
	SGAT3609	SGAT3612	SGAT3627	SGAT3637	SGAT3639	SGAT3640	EMP	AHT:U3_PAETA VG	AHT:U3_SAETA VG
09/02/02 12:00 AM	1,659.15	1,688.08	1,658.39	1,211.17	969.81	737.38	308.91	212.76	204.63
09/02/02 1:00 AM	1,667.65	1,700.19	1,658.52	1,206.11	954.59	728.91	308.85	213.86	201.66
09/02/02 2:00 AM	1,681.52	1,715.35	1,658.63	1,207.60	960.55	734.59	306.29	211.87	200.90
09/02/02 3:00 AM	1,692.54	1,721.18	1,653.54	1,208.34	965.89	737.21	307.04	211.99	202.70
09/02/02 4:00 AM	1,698.43	1,725.07	1,654.26	1,207.41	968.07	743.56	306.75	211.82	202.20
09/02/02 5:00 AM	1,710.18	1,737.28	1,656.16	1,213.49	969.96	748.93	311.16	213.38	206.39
09/02/02 6:00 AM	1,718.75	1,745.70	1,658.07	1,219.52	971.84	749.28	312.34	213.86	207.88
09/02/02 7:00 AM	1,727.32	1,754.13	1,659.98	1,222.25	973.73	749.17	310.99	213.40	207.07
09/02/02 8:00 AM	1,735.89	1,762.55	1,661.89	1,222.94	975.62	749.07	310.91	213.23	206.73
09/02/02 9:00 AM	1,744.46	1,770.98	1,663.79	1,223.62	977.50	748.96	311.39	213.89	207.85
09/02/02 10:00 AM	1,744.91	1,773.50	1,656.28	1,221.18	979.34	748.89	310.87	214.37	209.89
09/02/02 11:00 AM	1,734.35	1,763.01	1,638.03	1,213.51	980.79	748.94	312.27	216.20	213.49
09/02/02 12:00 PM	1,738.50	1,767.60	1,641.62	1,215.19	982.16	749.01	316.92	219.13	216.78
09/02/02 1:00 PM	1,742.65	1,772.18	1,645.22	1,216.90	983.54	749.07	315.33	217.73	214.92
09/02/02 2:00 PM	1,746.80	1,776.77	1,648.81	1,218.61	984.91	749.14	313.42	216.57	214.74
09/02/02 3:00 PM	1,750.95	1,781.35	1,652.41	1,220.32	986.28	749.21	313.19	216.91	214.94
09/02/02 4:00 PM	1,752.49	1,784.70	1,655.94	1,222.03	987.66	749.27	315.71	218.16	217.39
09/02/02 5:00 PM	1,749.16	1,784.88	1,657.36	1,223.74	989.03	749.34	318.27	219.30	218.28
09/02/02 6:00 PM	1,755.03	1,785.35	1,657.72	1,225.45	990.12	748.83	315.66	217.23	216.31
09/02/02 7:00 PM	1,762.34	1,788.05	1,658.09	1,225.95	989.15	745.82	315.66	216.74	215.20
09/02/02 8:00 PM	1,769.30	1,791.06	1,658.46	1,225.08	987.77	744.53	313.21	215.13	212.19
09/02/02 9:00 PM	1,770.55	1,795.33	1,658.82	1,224.22	986.17	742.39	315.07	215.69	213.08
09/02/02 10:00 PM	1,769.23	1,802.13	1,659.19	1,213.47	968.37	734.32	314.98	216.99	207.63
09/02/02 11:00 PM	1,767.45	1,808.65	1,659.56	1,208.72	963.59	737.71	308.02	213.34	201.93

Date	09/01/02 00:00:00									
Hour	MS Flow	MS Temperature	MS Pressure	RH Flow	RH Temperature	RH Pressure	PA Temperature	SA Temperature	Bed Temperature	Combustor Lower Temperature
	KLBS/HR	DEG F	PSIG	KLBS/HR	DEG F	PSIG	DEG F	DEG F	DEG F	DEG F
	MSTMFX1C	SGGT3001	SGGP3002	SGJF3001	SGJT3001	SGJP3002	SGBT3125	SGBT3019	BDTPSP1C	SGAT3609
09/01/02 12:00 AM	725.41	1,003.46	1,914.04	24.10	1,004.21	447.40	438.99	409.69	1,656.00	1,704.25
09/01/02 1:00 AM	686.39	1,004.13	1,912.84	24.93	1,004.45	444.99	440.58	405.62	1,656.00	1,649.83
09/01/02 2:00 AM	703.41	1,004.02	1,914.47	24.44	1,004.84	444.61	442.06	410.68	1,656.00	1,648.91
09/01/02 3:00 AM	681.78	1,003.66	1,912.20	23.17	1,005.23	425.08	441.55	409.39	1,656.00	1,631.28
09/01/02 4:00 AM	696.21	1,004.12	1,907.68	22.57	1,005.62	424.20	440.31	406.23	1,656.00	1,633.06
09/01/02 5:00 AM	683.01	1,004.74	1,903.28	20.77	1,005.99	394.43	439.07	404.29	1,656.00	1,637.10
09/01/02 6:00 AM	681.23	1,003.99	1,902.33	23.85	1,005.56	393.11	437.84	403.39	1,656.00	1,653.20
09/01/02 7:00 AM	680.51	1,004.27	1,903.00	22.47	1,005.50	397.64	436.61	405.63	1,656.00	1,664.89
09/01/02 8:00 AM	686.17	1,004.05	1,903.67	22.44	1,005.48	399.87	436.20	407.45	1,656.00	1,650.31
09/01/02 9:00 AM	688.46	1,004.08	1,904.33	22.85	1,005.46	396.71	436.35	408.19	1,656.00	1,653.34
09/01/02 10:00 AM	692.52	1,004.22	1,905.00	22.67	1,005.44	397.84	436.49	408.91	1,656.00	1,656.56
09/01/02 11:00 AM	687.29	1,004.15	1,905.67	21.27	1,005.43	396.42	436.63	409.63	1,656.00	1,653.88
09/01/02 12:00 PM	684.21	1,003.77	1,906.34	21.42	1,005.41	390.83	436.77	410.33	1,656.00	1,661.09
09/01/02 1:00 PM	682.25	1,003.77	1,907.00	21.89	1,005.39	394.17	436.91	410.26	1,656.00	1,673.40
09/01/02 2:00 PM	678.32	1,003.90	1,907.47	22.35	1,004.98	394.91	437.05	409.70	1,656.00	1,676.84
09/01/02 3:00 PM	667.28	1,004.10	1,907.85	18.68	1,004.62	368.78	437.19	409.15	1,656.00	1,667.96
09/01/02 4:00 PM	618.65	1,004.07	1,908.23	21.64	1,006.31	364.13	437.45	408.60	1,656.00	1,662.41
09/01/02 5:00 PM	620.24	1,004.16	1,908.61	20.79	1,007.37	360.67	437.79	408.05	1,656.00	1,658.82
09/01/02 6:00 PM	619.89	1,003.81	1,909.00	20.85	1,008.10	361.77	438.12	407.34	1,656.00	1,657.38
09/01/02 7:00 PM	677.18	1,004.00	1,909.38	21.74	1,008.83	390.96	438.46	416.17	1,656.00	1,708.58
09/01/02 8:00 PM	692.49	1,003.97	1,909.76	24.10	1,009.55	420.43	438.79	422.39	1,656.00	1,690.46
09/01/02 9:00 PM	691.83	1,004.12	1,910.14	24.85	1,010.28	421.20	439.13	423.60	1,656.00	1,667.86
09/01/02 10:00 PM	689.38	1,004.00	1,910.45	21.59	1,010.88	397.06	439.46	423.33	1,656.00	1,645.41
09/01/02 11:00 PM	683.32	1,003.95	1,910.74	21.62	1,010.52	400.62	439.58	420.41	1,656.00	1,650.64

Date	09/01/02 00:00:00								
Hour	Combustor Middle Temperature	Combustor Upper Temperature	Cyclone Outlet Temperature	RHII Outlet Gas Temperature	Economizer Inlet Gas Temperature	Economizer Outlet Gas Temperature	Baghouse Inlet Temperature	PA Air Heater Cold End Temperature	SA Air Heater Cold End Temperature
	DEG F	DEG F	DEG F	DEG F	DEG F	DEG F	DEG F	DEG F	DEG F
	SGAT3609	SGAT3612	SGAT3627	SGAT3637	SGAT3639	SGAT3640	EMP	AHT:U3_PAETAVG	AHT:U3_SAETAVG
09/01/02 12:00 AM	1,704.25	1,731.72	1,655.43	1,212.17	966.08	730.11	308.13	213.05	201.02
09/01/02 1:00 AM	1,649.83	1,674.53	1,654.39	1,210.10	967.00	733.04	308.37	213.93	197.07
09/01/02 2:00 AM	1,648.91	1,673.35	1,653.46	1,208.03	967.27	734.28	309.95	214.12	200.93
09/01/02 3:00 AM	1,631.28	1,661.06	1,652.57	1,205.96	967.55	732.08	308.68	213.47	198.56
09/01/02 4:00 AM	1,633.06	1,661.04	1,651.68	1,203.89	967.83	729.16	310.00	213.63	199.92
09/01/02 5:00 AM	1,637.10	1,663.65	1,650.79	1,201.84	968.10	726.23	307.99	212.52	198.58
09/01/02 6:00 AM	1,653.20	1,681.48	1,649.90	1,202.54	968.38	725.81	304.60	210.95	197.56
09/01/02 7:00 AM	1,664.89	1,694.93	1,648.98	1,205.08	968.89	727.90	304.17	211.03	196.43
09/01/02 8:00 AM	1,650.31	1,674.85	1,647.63	1,207.62	969.96	729.97	307.86	212.41	199.30
09/01/02 9:00 AM	1,653.34	1,690.12	1,646.14	1,210.02	971.06	730.47	308.53	213.33	202.41
09/01/02 10:00 AM	1,656.56	1,689.32	1,644.66	1,209.78	972.15	730.07	309.64	215.21	205.13
09/01/02 11:00 AM	1,653.88	1,684.25	1,643.17	1,208.52	973.25	729.67	312.11	217.52	207.51
09/01/02 12:00 PM	1,661.09	1,681.06	1,641.68	1,207.27	974.34	729.27	312.48	218.14	207.65
09/01/02 1:00 PM	1,673.40	1,707.14	1,640.19	1,206.01	975.44	728.86	308.48	216.98	205.55
09/01/02 2:00 PM	1,676.84	1,711.34	1,638.71	1,204.76	976.53	728.63	307.84	215.12	204.64
09/01/02 3:00 PM	1,667.96	1,702.57	1,635.29	1,203.51	976.23	729.22	307.65	214.54	204.50
09/01/02 4:00 PM	1,662.41	1,694.26	1,607.60	1,186.10	972.65	730.67	307.57	215.16	205.37
09/01/02 5:00 PM	1,658.82	1,687.70	1,603.34	1,186.47	972.55	734.58	307.93	214.14	202.71
09/01/02 6:00 PM	1,657.38	1,685.68	1,614.68	1,196.69	979.89	738.67	307.79	214.42	203.30
09/01/02 7:00 PM	1,708.58	1,736.13	1,626.02	1,207.34	984.20	743.16	309.77	214.00	208.54
09/01/02 8:00 PM	1,690.46	1,718.01	1,637.35	1,216.60	983.96	748.10	312.16	214.24	212.25
09/01/02 9:00 PM	1,667.86	1,708.12	1,648.69	1,216.51	983.68	749.44	311.42	214.09	209.56
09/01/02 10:00 PM	1,645.41	1,675.24	1,657.51	1,214.75	982.66	748.27	313.57	214.83	210.09
09/01/02 11:00 PM	1,650.64	1,676.33	1,658.25	1,212.98	977.13	744.21	309.77	212.88	205.73

Date	08/31/02 00:00:00									
Hour	MS Flow	MS Temperature	MS Pressure	RH Flow	RH Temperature	RH Pressure	PA Temperature	SA Temperature	Bed Temperature	Combustor Lower Temperature
	KLBS/HR	DEG F	PSIG	KLBS/HR	DEG F	PSIG	DEG F	DEG F	DEG F	DEG F
	MSTMFX1C	SGGT3001	SGGP3002	SGJF3001	SGJT3001	SGJP3002	SGBT3125	SGBT3019	BDTPSP1C	SGAT3609
08/31/02 12:00 AM	744.03	1,004.05	1,913.85	24.74	1,006.29	455.27	440.93	408.77	1,656.00	1,766.35
08/31/02 1:00 AM	753.07	1,004.08	1,914.13	24.29	1,006.19	453.89	441.10	410.28	1,656.00	1,777.79
08/31/02 2:00 AM	748.57	1,004.21	1,914.42	24.12	1,005.99	450.37	441.26	411.79	1,656.00	1,780.02
08/31/02 3:00 AM	758.73	1,004.45	1,914.71	24.09	1,005.80	453.10	438.54	409.10	1,656.00	1,775.24
08/31/02 4:00 AM	758.32	1,003.93	1,914.99	23.30	1,005.61	452.34	436.49	406.51	1,656.00	1,770.46
08/31/02 5:00 AM	755.63	1,003.68	1,915.28	23.57	1,005.41	452.99	436.71	406.36	1,656.00	1,765.80
08/31/02 6:00 AM	755.83	1,003.65	1,915.58	23.86	1,005.22	453.68	436.92	406.65	1,656.00	1,767.97
08/31/02 7:00 AM	756.52	1,003.99	1,915.94	23.62	1,005.03	454.37	437.13	409.50	1,656.00	1,774.20
08/31/02 8:00 AM	757.03	1,004.27	1,916.32	22.85	1,004.84	454.55	437.34	412.76	1,656.00	1,777.02
08/31/02 9:00 AM	757.35	1,004.01	1,916.71	22.48	1,004.84	453.36	437.56	414.26	1,656.00	1,765.18
08/31/02 10:00 AM	753.18	1,003.78	1,917.09	23.76	1,004.91	453.64	437.75	414.14	1,656.00	1,774.95
08/31/02 11:00 AM	758.62	1,004.14	1,917.47	23.79	1,004.99	455.77	437.82	414.02	1,656.00	1,789.39
08/31/02 12:00 PM	777.47	1,004.16	1,917.85	23.81	1,005.06	458.56	437.87	413.93	1,656.00	1,786.01
08/31/02 1:00 PM	782.40	1,004.10	1,918.23	24.46	1,005.13	460.22	437.92	414.88	1,656.00	1,781.63
08/31/02 2:00 PM	777.89	1,003.89	1,918.55	24.97	1,005.21	461.81	437.97	416.32	1,656.00	1,777.73
08/31/02 3:00 PM	769.73	1,003.74	1,918.38	25.09	1,005.28	460.97	438.01	417.76	1,656.00	1,774.11
08/31/02 4:00 PM	769.05	1,003.84	1,918.09	24.62	1,005.35	458.89	438.06	419.19	1,656.00	1,770.49
08/31/02 5:00 PM	769.20	1,003.93	1,917.80	24.87	1,005.26	458.61	438.11	420.63	1,656.00	1,766.87
08/31/02 6:00 PM	774.48	1,004.14	1,917.52	24.56	1,005.11	459.24	438.11	422.07	1,656.00	1,764.19
08/31/02 7:00 PM	780.64	1,003.89	1,917.23	24.00	1,004.95	459.87	437.75	421.52	1,656.00	1,767.02
08/31/02 8:00 PM	779.70	1,004.12	1,916.95	24.73	1,004.80	460.33	437.33	419.62	1,656.00	1,766.27
08/31/02 9:00 PM	759.45	1,004.62	1,916.66	24.12	1,004.65	450.62	436.91	419.67	1,656.00	1,766.80
08/31/02 10:00 PM	757.51	1,003.90	1,916.29	24.38	1,004.50	451.17	436.52	415.74	1,656.00	1,770.57
08/31/02 11:00 PM	757.76	1,003.97	1,915.24	24.00	1,004.34	449.45	437.41	408.87	1,656.00	1,764.28

Date	08/31/02 00:00:00								
Hour	Combustor Middle Temperature	Combustor Upper Temperature	Cyclone Outlet Temperature	RHII Outlet Gas Temperature	Economizer Inlet Gas Temperature	Economizer Outlet Gas Temperature	Baghouse Inlet Temperature	PA Air Heater Cold End Temperature	SA Air Heater Cold End Temperature
	DEG F	DEG F	DEG F	DEG F	DEG F	DEG F	DEG F	DEG F	DEG F
	SGAT3609	SGAT3612	SGAT3627	SGAT3637	SGAT3639	SGAT3640	EMP	AHT:U3_PAETAVG	AHT:U3_SAETAVG
08/31/02 12:00 AM	1,766.35	1,796.93	1,653.34	1,211.71	970.89	726.17	305.22	212.52	197.78
08/31/02 1:00 AM	1,777.79	1,809.37	1,654.89	1,211.30	971.74	729.41	306.62	213.16	198.74
08/31/02 2:00 AM	1,780.02	1,810.33	1,656.44	1,210.88	972.57	732.50	308.27	214.39	199.95
08/31/02 3:00 AM	1,775.24	1,802.98	1,657.99	1,205.36	961.30	700.50	310.75	215.80	201.28
08/31/02 4:00 AM	1,770.46	1,795.64	1,659.54	1,203.59	962.69	712.52	311.59	216.35	200.70
08/31/02 5:00 AM	1,765.80	1,790.53	1,661.09	1,205.05	964.16	717.10	311.47	215.99	201.12
08/31/02 6:00 AM	1,767.97	1,799.84	1,663.41	1,206.51	965.63	721.67	306.74	212.99	198.31
08/31/02 7:00 AM	1,774.20	1,811.73	1,666.78	1,207.97	967.10	726.24	306.16	212.13	198.22
08/31/02 8:00 AM	1,777.02	1,811.09	1,670.16	1,209.43	968.57	730.82	309.14	212.85	200.72
08/31/02 9:00 AM	1,765.18	1,793.75	1,673.53	1,210.89	970.04	735.38	312.64	214.55	202.64
08/31/02 10:00 AM	1,774.95	1,800.60	1,676.91	1,212.50	971.51	739.79	309.04	213.19	201.33
08/31/02 11:00 AM	1,789.39	1,809.89	1,680.29	1,215.26	972.90	744.11	307.28	212.12	199.90
08/31/02 12:00 PM	1,786.01	1,818.29	1,681.81	1,218.25	974.22	746.37	308.03	211.47	200.41
08/31/02 1:00 PM	1,781.63	1,818.39	1,678.77	1,221.25	975.55	746.48	308.64	211.40	201.55
08/31/02 2:00 PM	1,777.73	1,813.50	1,675.52	1,224.12	976.87	744.20	310.31	212.41	202.66
08/31/02 3:00 PM	1,774.11	1,806.22	1,672.26	1,224.61	978.19	740.28	308.62	212.60	202.38
08/31/02 4:00 PM	1,770.49	1,799.66	1,669.00	1,224.20	979.35	735.75	309.81	213.97	203.73
08/31/02 5:00 PM	1,766.87	1,797.39	1,665.75	1,223.80	979.08	733.06	309.14	213.90	204.54
08/31/02 6:00 PM	1,764.19	1,793.47	1,662.51	1,223.39	978.47	733.27	310.64	214.43	205.48
08/31/02 7:00 PM	1,767.02	1,786.41	1,660.61	1,222.46	977.86	740.02	313.43	215.84	208.04
08/31/02 8:00 PM	1,766.27	1,794.31	1,659.57	1,220.43	977.25	737.11	310.14	213.82	204.92
08/31/02 9:00 PM	1,766.80	1,792.14	1,658.53	1,218.37	976.64	727.01	312.20	214.45	205.43
08/31/02 10:00 PM	1,770.57	1,798.07	1,657.50	1,216.31	963.19	711.28	312.41	215.12	203.26
08/31/02 11:00 PM	1,764.28	1,794.55	1,656.46	1,214.24	963.32	727.00	308.40	213.59	201.14

Date	08/30/02 00:00:00									
Hour	MS Flow	MS Temperature	MS Pressure	RH Flow	RH Temperature	RH Pressure	PA Temperature	SA Temperature	Bed Temperature	Combustor Lower Temperature
	KLBS/HR	DEG F	PSIG	KLBS/HR	DEG F	PSIG	DEG F	DEG F	DEG F	DEG F
	MSTMFX1C	SGGT3001	SGGP3002	SGJF3001	SGJT3001	SGJP3002	SGBT3125	SGBT3019	BFTPSP1C	SGAT3609
08/30/02 12:00 AM	50.07	301.63	1,865.88	-0.25	479.45	9.95	159.25	137.09	1,656.00	162.19
08/30/02 1:00 AM	46.94	296.27	1,865.45	-0.22	289.14	9.23	151.30	127.86	1,656.00	148.69
08/30/02 2:00 AM	48.00	283.93	1,864.98	-0.18	245.01	8.52	151.54	125.53	1,656.00	148.68
08/30/02 3:00 AM	49.12	260.97	1,864.50	-0.15	207.13	7.80	148.58	122.36	1,656.00	150.95
08/30/02 4:00 AM	47.35	239.47	1,864.02	-0.11	195.77	10.91	146.61	129.63	1,656.00	169.13
08/30/02 5:00 AM	46.83	260.39	1,863.55	-0.07	227.94	95.24	188.04	165.19	1,656.00	338.92
08/30/02 6:00 AM	49.26	299.93	1,863.07	-0.04	250.37	144.86	231.28	206.84	1,656.00	368.12
08/30/02 7:00 AM	50.45	369.94	1,862.59	0.01	288.62	79.49	246.29	217.38	1,656.00	456.65
08/30/02 8:00 AM	51.73	557.61	1,862.89	0.10	316.85	20.22	308.02	261.37	1,656.00	637.05
08/30/02 9:00 AM	45.68	723.86	1,865.96	0.19	315.74	14.43	372.88	311.82	1,656.00	821.42
08/30/02 10:00 AM	45.01	824.95	1,869.26	0.28	408.53	142.61	405.56	338.69	1,656.00	924.88
08/30/02 11:00 AM	41.57	899.78	1,872.57	0.36	745.62	260.82	421.84	348.44	1,656.00	989.76
08/30/02 12:00 PM	31.17	944.43	1,875.88	0.45	863.87	264.17	431.19	352.01	1,656.00	1,015.99
08/30/02 1:00 PM	136.89	940.76	1,879.18	0.60	943.89	288.89	434.28	356.26	1,656.00	1,101.90
08/30/02 2:00 PM	375.42	1,005.31	1,882.53	6.18	1,032.66	349.59	434.15	372.43	1,656.00	1,511.53
08/30/02 3:00 PM	576.52	1,023.39	1,886.26	14.30	1,036.55	403.70	432.31	387.85	1,656.00	1,732.62
08/30/02 4:00 PM	719.38	1,008.80	1,890.07	22.16	1,003.19	436.36	435.92	397.19	1,656.00	1,736.81
08/30/02 5:00 PM	737.02	1,005.04	1,893.89	24.28	1,005.38	443.22	438.18	403.52	1,656.00	1,759.79
08/30/02 6:00 PM	760.06	1,012.42	1,897.70	23.76	1,005.51	453.32	439.22	405.91	1,656.00	1,775.82
08/30/02 7:00 PM	762.25	1,003.27	1,901.52	24.86	1,005.64	457.70	440.06	406.43	1,656.00	1,766.05
08/30/02 8:00 PM	772.51	1,004.02	1,905.33	24.81	1,005.77	458.51	440.27	406.55	1,656.00	1,777.56
08/30/02 9:00 PM	774.52	1,004.22	1,909.14	23.27	1,005.90	453.56	440.43	406.68	1,656.00	1,778.63
08/30/02 10:00 PM	752.42	1,004.08	1,912.66	23.89	1,006.03	452.16	440.60	406.80	1,656.00	1,747.68
08/30/02 11:00 PM	744.39	1,003.56	1,913.56	24.52	1,006.17	453.96	440.77	407.30	1,656.00	1,754.87

Date	08/30/02 00:00:00								
Hour	Combustor Middle Temperature	Combustor Upper Temperature	Cyclone Outlet Temperature	RHII Outlet Gas Temperature	Economizer Inlet Gas Temperature	Economizer Outlet Gas Temperature	Baghouse Inlet Temperature	PA Air Heater Cold End Temperature	SA Air Heater Cold End Temperature
	DEG F	DEG F	DEG F	DEG F	DEG F	DEG F	DEG F	DEG F	DEG F
	SGAT3609	SGAT3612	SGAT3627	SGAT3637	SGAT3639	SGAT3640	EMP	AHT:U3_PAETAVG	AHT:U3_SAETAVG
08/30/02 12:00 AM	162.19	171.96	209.97	194.70	195.44	181.20	58.10	55.01	44.67
08/30/02 1:00 AM	148.69	159.03	200.63	179.33	184.45	176.58	2.23	2.15	1.75
08/30/02 2:00 AM	148.68	146.14	191.30	173.67	173.45	171.34	10.93	10.63	8.62
08/30/02 3:00 AM	150.95	147.82	181.96	168.26	163.81	168.09	32.67	31.72	25.78
08/30/02 4:00 AM	169.13	168.09	208.88	192.78	183.53	178.29	23.50	22.59	18.99
08/30/02 5:00 AM	338.92	333.06	372.81	349.13	309.17	274.68	18.03	15.85	13.93
08/30/02 6:00 AM	368.12	369.27	404.85	386.95	369.24	323.26	93.56	76.92	68.40
08/30/02 7:00 AM	456.65	461.73	469.15	441.57	425.39	360.67	131.38	106.49	94.00
08/30/02 8:00 AM	637.05	652.27	609.96	584.29	552.93	461.18	191.24	146.73	128.94
08/30/02 9:00 AM	821.42	826.80	717.75	683.43	679.28	551.69	24.45	18.25	15.76
08/30/02 10:00 AM	924.88	917.80	791.89	759.68	755.66	602.58	0.00	0.00	0.00
08/30/02 11:00 AM	989.76	977.85	869.66	833.42	804.32	636.14	0.00	0.00	0.00
08/30/02 12:00 PM	1,015.99	1,006.25	932.48	881.82	842.28	648.05	19.63	14.12	11.80
08/30/02 1:00 PM	1,101.90	1,097.06	1,001.17	922.53	857.06	654.06	252.44	179.70	146.12
08/30/02 2:00 PM	1,511.53	1,525.34	1,256.42	1,044.89	881.63	654.32	294.71	206.65	177.99
08/30/02 3:00 PM	1,732.62	1,749.54	1,490.87	1,148.54	917.59	672.67	299.56	208.49	186.44
08/30/02 4:00 PM	1,736.81	1,764.27	1,594.84	1,192.37	949.00	694.04	307.94	211.63	193.42
08/30/02 5:00 PM	1,759.79	1,782.83	1,616.06	1,201.12	955.04	702.42	305.74	211.02	194.00
08/30/02 6:00 PM	1,775.82	1,801.43	1,627.62	1,205.60	960.63	710.66	306.26	211.53	194.84
08/30/02 7:00 PM	1,766.05	1,793.96	1,634.00	1,207.54	965.83	714.60	308.79	213.35	197.17
08/30/02 8:00 PM	1,777.56	1,805.09	1,640.03	1,209.44	967.51	716.55	307.20	213.16	197.38
08/30/02 9:00 PM	1,778.63	1,801.07	1,646.06	1,211.33	968.36	718.50	308.58	213.67	198.90
08/30/02 10:00 PM	1,747.68	1,783.65	1,650.22	1,212.49	969.20	720.45	311.79	215.43	200.05
08/30/02 11:00 PM	1,754.87	1,784.58	1,651.79	1,212.12	970.05	722.93	307.14	213.48	198.15

Date	08/29/02 00:00:00									
Hour	MS Flow	MS Temperature	MS Pressure	RH Flow	RH Temperature	RH Pressure	PA Temperature	SA Temperature	Bed Temperature	Combustor Lower Temperature
	KLBS/HR	DEG F	PSIG	KLBS/HR	DEG F	PSIG	DEG F	DEG F	DEG F	DEG F
	MSTMFX1C	SGGT3001	SGGP3002	SGJF3001	SGJT3001	SGJP3002	SGBT3125	SGBT3019	BDTPSP1C	SGAT3609
08/29/02 12:00 AM	23.51	172.38	1,864.42	-0.02	126.50	95.85	88.67	94.74	1,656.00	98.85
08/29/02 1:00 AM	23.93	171.06	1,864.04	-0.03	161.62	26.70	87.76	94.02	1,656.00	98.32
08/29/02 2:00 AM	23.69	170.07	1,863.66	-0.03	150.63	17.89	87.66	94.74	1,656.00	97.79
08/29/02 3:00 AM	23.42	166.81	1,863.28	-0.04	144.85	17.55	87.67	95.79	1,656.00	97.26
08/29/02 4:00 AM	23.35	138.51	1,862.90	-0.04	142.87	17.22	87.67	96.84	1,656.00	96.73
08/29/02 5:00 AM	23.63	144.88	1,862.52	-0.05	140.89	16.88	87.68	97.89	1,656.00	96.20
08/29/02 6:00 AM	23.07	150.02	1,862.14	-0.05	138.92	16.54	87.68	98.94	1,656.00	97.45
08/29/02 7:00 AM	22.29	152.75	1,861.75	-0.06	136.94	16.21	87.69	99.00	1,656.00	101.90
08/29/02 8:00 AM	23.70	154.51	1,861.48	-0.05	134.96	15.87	87.70	98.02	1,656.00	106.42
08/29/02 9:00 AM	24.16	154.06	1,861.64	-0.05	132.99	15.91	89.46	97.04	1,656.00	110.94
08/29/02 10:00 AM	24.34	153.67	1,861.83	-0.04	133.92	18.73	99.16	96.07	1,656.00	115.46
08/29/02 11:00 AM	24.80	154.02	1,862.02	-0.04	137.15	22.11	117.77	111.27	1,656.00	120.85
08/29/02 12:00 PM	25.25	229.10	1,862.21	-0.04	173.59	61.81	164.23	148.46	1,656.00	521.61
08/29/02 1:00 PM	25.17	306.51	1,862.40	-0.03	257.72	134.30	229.16	201.86	1,656.00	517.11
08/29/02 2:00 PM	26.83	528.29	1,862.59	-0.03	322.22	22.82	293.44	252.73	1,656.00	582.96
08/29/02 3:00 PM	27.27	688.78	1,862.78	-0.03	319.17	19.32	366.90	304.97	1,656.00	742.49
08/29/02 4:00 PM	27.35	744.23	1,863.01	-0.07	558.01	259.54	392.75	328.13	1,656.00	767.85
08/29/02 5:00 PM	35.25	683.95	1,863.38	-0.10	640.31	267.17	384.02	330.06	1,656.00	565.59
08/29/02 6:00 PM	41.80	498.99	1,863.76	-0.14	589.33	256.56	347.48	305.06	1,656.00	362.88
08/29/02 7:00 PM	42.89	407.41	1,864.14	-0.17	560.69	196.84	328.58	230.93	1,656.00	298.27
08/29/02 8:00 PM	45.24	350.10	1,864.52	-0.20	539.14	87.96	273.22	172.47	1,656.00	236.23
08/29/02 9:00 PM	46.80	314.09	1,864.91	-0.24	526.15	41.13	224.81	167.27	1,656.00	209.36
08/29/02 10:00 PM	48.54	295.50	1,865.29	-0.27	513.26	21.51	184.69	156.01	1,656.00	193.64
08/29/02 11:00 PM	49.42	301.44	1,865.67	-0.28	500.36	10.68	177.82	149.54	1,656.00	177.92

Date	08/29/02 00:00:00								
Hour	Combustor Middle Temperature	Combustor Upper Temperature	Cyclone Outlet Temperature	RHII Outlet Gas Temperature	Economizer Inlet Gas Temperature	Economizer Outlet Gas Temperature	Baghouse Inlet Temperature	PA Air Heater Cold End Temperature	SA Air Heater Cold End Temperature
	DEG F	DEG F	DEG F	DEG F	DEG F	DEG F	DEG F	DEG F	DEG F
	SGAT3609	SGAT3612	SGAT3627	SGAT3637	SGAT3639	SGAT3640	EMP	AHT:U3_PAETAVG	AHT:U3_SAETAVG
08/29/02 12:00 AM	98.85	97.30	121.05	99.46	99.45	93.49	0.00	0.00	0.00
08/29/02 1:00 AM	98.32	96.37	119.17	103.41	98.92	94.76	0.00	0.00	0.00
08/29/02 2:00 AM	97.79	96.66	117.30	107.65	99.02	96.77	0.00	0.00	0.00
08/29/02 3:00 AM	97.26	96.94	115.48	120.70	99.76	98.78	0.00	0.00	0.00
08/29/02 4:00 AM	96.73	97.23	115.52	123.12	100.50	101.35	0.00	0.00	0.00
08/29/02 5:00 AM	96.20	97.51	116.39	118.41	101.24	105.85	0.00	0.00	0.00
08/29/02 6:00 AM	97.45	97.80	117.27	113.69	101.97	101.93	0.00	0.00	0.00
08/29/02 7:00 AM	101.90	98.08	118.14	108.98	102.71	97.91	0.00	0.00	0.00
08/29/02 8:00 AM	106.42	98.53	119.01	104.34	103.45	98.89	0.00	0.00	0.00
08/29/02 9:00 AM	110.94	103.82	119.89	107.56	104.19	103.19	0.00	0.00	0.00
08/29/02 10:00 AM	115.46	111.37	120.76	116.08	110.47	107.49	0.00	0.00	0.00
08/29/02 11:00 AM	120.85	118.92	191.30	172.42	153.56	138.75	0.00	0.00	0.00
08/29/02 12:00 PM	521.61	530.46	342.01	304.38	270.33	232.21	0.00	0.00	0.00
08/29/02 1:00 PM	517.11	619.59	471.08	435.83	392.08	330.89	0.00	0.00	0.00
08/29/02 2:00 PM	582.96	683.94	607.10	575.22	527.41	430.85	0.00	0.00	0.00
08/29/02 3:00 PM	742.49	757.26	699.39	673.42	641.35	522.58	0.00	0.00	0.00
08/29/02 4:00 PM	767.85	775.10	722.91	688.69	671.08	548.00	0.00	0.00	0.00
08/29/02 5:00 PM	565.59	583.17	597.00	587.21	613.85	518.11	0.00	0.00	0.00
08/29/02 6:00 PM	362.88	367.29	442.12	430.90	464.14	433.09	0.00	0.00	0.00
08/29/02 7:00 PM	298.27	298.59	377.84	368.68	381.03	365.00	0.00	0.00	0.00
08/29/02 8:00 PM	236.23	234.10	332.57	317.81	321.67	283.27	0.00	0.00	0.00
08/29/02 9:00 PM	209.36	210.75	287.30	267.17	269.06	257.02	8.88	7.77	5.96
08/29/02 10:00 PM	193.64	197.82	242.32	235.19	237.91	217.07	33.86	30.52	25.05
08/29/02 11:00 PM	177.92	184.89	219.31	214.94	209.88	209.80	49.81	45.89	37.81

Date	08/28/02 00:00:00									
Hour	MS Flow	MS Temperature	MS Pressure	RH Flow	RH Temperature	RH Pressure	PA Temperature	SA Temperature	Bed Temperature	Combustor Lower Temperature
	KLBS/HR	DEG F	PSIG	KLBS/HR	DEG F	PSIG	DEG F	DEG F	DEG F	DEG F
	MSTMX1C	SGGT3001	SGGP3002	SGJF3001	SGJT3001	SGJP3002	SGBT3125	SGBT3019	BDTPSP1C	SGAT3609
08/28/02 12:00 AM	231.22	963.52	1,871.28	8.88	864.60	324.45	445.05	408.86	1,656.00	1,025.39
08/28/02 1:00 AM	17.70	805.88	1,862.61	-0.37	392.52	163.89	450.53	408.21	1,656.00	530.73
08/28/02 2:00 AM	21.23	512.88	1,862.99	-0.32	348.09	120.02	390.63	361.39	1,656.00	442.77
08/28/02 3:00 AM	21.38	383.18	1,863.37	-0.26	338.16	113.92	320.24	296.70	1,656.00	356.07
08/28/02 4:00 AM	21.11	313.19	1,863.75	-0.21	311.87	71.24	260.40	241.24	1,656.00	298.56
08/28/02 5:00 AM	20.88	267.51	1,864.14	-0.15	282.31	45.77	221.81	212.46	1,656.00	253.31
08/28/02 6:00 AM	21.56	256.06	1,864.52	-0.10	252.74	28.82	198.80	193.33	1,656.00	215.88
08/28/02 7:00 AM	22.31	224.81	1,864.90	-0.05	230.37	17.59	184.15	175.23	1,656.00	203.31
08/28/02 8:00 AM	23.15	213.84	1,865.25	-0.05	218.99	16.77	169.50	165.10	1,656.00	192.58
08/28/02 9:00 AM	23.10	211.73	1,865.45	-0.04	208.30	16.17	156.59	156.65	1,656.00	181.86
08/28/02 10:00 AM	23.71	211.64	1,865.64	-0.04	203.73	15.56	147.53	148.20	1,656.00	171.13
08/28/02 11:00 AM	24.03	211.99	1,865.83	-0.04	198.73	15.00	139.14	139.75	1,656.00	160.41
08/28/02 12:00 PM	23.87	211.85	1,866.02	-0.04	176.26	19.07	132.48	131.67	1,656.00	149.68
08/28/02 1:00 PM	23.88	210.65	1,866.21	-0.04	166.55	26.28	125.96	126.65	1,656.00	138.95
08/28/02 2:00 PM	23.76	210.06	1,866.40	-0.04	157.30	33.05	119.39	122.31	1,656.00	129.81
08/28/02 3:00 PM	23.93	206.69	1,866.59	-0.04	155.47	15.93	111.81	117.97	1,656.00	125.67
08/28/02 4:00 PM	23.52	207.02	1,866.69	-0.03	141.15	19.98	103.83	113.63	1,656.00	121.91
08/28/02 5:00 PM	23.17	206.16	1,866.44	-0.03	134.21	35.39	96.89	109.29	1,656.00	118.15
08/28/02 6:00 PM	23.45	197.36	1,866.15	-0.03	134.87	13.97	95.11	104.95	1,656.00	114.39
08/28/02 7:00 PM	23.06	189.84	1,865.87	-0.02	130.93	17.14	94.03	100.62	1,656.00	110.63
08/28/02 8:00 PM	22.90	183.00	1,865.58	-0.02	126.16	20.31	92.96	98.30	1,656.00	106.87
08/28/02 9:00 PM	23.06	178.03	1,865.29	-0.02	123.57	77.35	91.89	97.41	1,656.00	103.11
08/28/02 10:00 PM	22.39	174.58	1,865.01	-0.02	123.30	124.07	90.82	96.52	1,656.00	100.09
08/28/02 11:00 PM	22.53	173.44	1,864.72	-0.01	123.04	122.76	89.75	95.63	1,656.00	99.38

Date	08/28/02 00:00:00								
Hour	Combustor Middle Temperature	Combustor Upper Temperature	Cyclone Outlet Temperature	RHII Outlet Gas Temperature	Economizer Inlet Gas Temperature	Economizer Outlet Gas Temperature	Baghouse Inlet Temperature	PA Air Heater Cold End Temperature	SA Air Heater Cold End Temperature
	DEG F	DEG F	DEG F	DEG F	DEG F	DEG F	DEG F	DEG F	DEG F
	SGAT3609	SGAT3612	SGAT3627	SGAT3637	SGAT3639	SGAT3640	EMP	AHT:U3_PAETAVG	AHT:U3_SAETAVG
08/28/02 12:00 AM	1,025.39	1,048.97	1,221.17	910.85	822.28	683.02	113.29	75.59	75.07
08/28/02 1:00 AM	530.73	514.22	787.83	627.46	634.10	627.78	0.00	0.00	0.00
08/28/02 2:00 AM	442.77	434.87	640.82	497.64	486.11	508.72	0.00	0.00	0.00
08/28/02 3:00 AM	356.07	357.17	509.97	377.40	362.60	374.98	0.00	0.00	0.00
08/28/02 4:00 AM	298.56	287.61	426.69	298.97	299.71	294.60	0.00	0.00	0.00
08/28/02 5:00 AM	253.31	259.04	355.28	272.30	273.15	266.23	0.00	0.00	0.00
08/28/02 6:00 AM	215.88	236.14	296.67	248.33	246.58	234.68	0.00	0.00	0.00
08/28/02 7:00 AM	203.31	213.24	271.14	224.36	220.02	213.05	0.00	0.00	0.00
08/28/02 8:00 AM	192.58	190.36	247.28	200.39	198.62	196.96	0.00	0.00	0.00
08/28/02 9:00 AM	181.86	175.53	223.43	184.20	186.10	181.67	0.00	0.00	0.00
08/28/02 10:00 AM	171.13	167.47	199.58	174.82	173.73	170.49	0.00	0.00	0.00
08/28/02 11:00 AM	160.41	159.40	176.18	165.44	161.35	159.89	0.00	0.00	0.00
08/28/02 12:00 PM	149.68	151.34	165.48	156.05	148.98	149.28	0.00	0.00	0.00
08/28/02 1:00 PM	138.95	143.27	160.60	146.67	136.55	136.24	0.00	0.00	0.00
08/28/02 2:00 PM	129.81	135.21	155.71	137.29	122.48	116.57	0.00	0.00	0.00
08/28/02 3:00 PM	125.67	127.14	150.83	127.91	115.20	110.22	0.00	0.00	0.00
08/28/02 4:00 PM	121.91	119.08	145.95	120.21	112.13	104.57	0.00	0.00	0.00
08/28/02 5:00 PM	118.15	114.11	141.06	117.15	109.07	101.82	0.00	0.00	0.00
08/28/02 6:00 PM	114.39	111.71	136.18	114.37	106.00	99.38	0.00	0.00	0.00
08/28/02 7:00 PM	110.63	109.31	131.36	111.59	102.97	96.94	0.00	0.00	0.00
08/28/02 8:00 PM	106.87	106.91	128.57	108.80	101.55	94.63	0.00	0.00	0.00
08/28/02 9:00 PM	103.11	104.50	126.69	106.02	101.03	92.44	0.00	0.00	0.00
08/28/02 10:00 PM	100.09	102.10	124.81	103.23	100.50	92.01	0.00	0.00	0.00
08/28/02 11:00 PM	99.38	99.70	122.93	100.45	99.97	92.75	0.00	0.00	0.00

Date	08/27/02 00:00:00									
Hour	MS Flow	MS Temperature	MS Pressure	RH Flow	RH Temperature	RH Pressure	PA Temperature	SA Temperature	Bed Temperature	Combustor Lower Temperature
	KLBS/HR	DEG F	PSIG	KLBS/HR	DEG F	PSIG	DEG F	DEG F	DEG F	DEG F
	MSTMFX1C	SGGT3001	SGGP3002	SGJF3001	SGJT3001	SGJP3002	SGBT3125	SGBT3019	BDTPSP1C	SGAT3609
08/27/02 12:00 AM	738.21	1,004.37	1,916.87	24.39	1,005.14	443.28	440.79	416.46	1,656.00	1,754.99
08/27/02 1:00 AM	737.55	1,003.98	1,916.37	24.56	1,004.94	440.99	440.97	416.04	1,656.00	1,756.69
08/27/02 2:00 AM	740.41	1,003.83	1,915.60	25.03	1,005.04	441.14	440.13	415.61	1,656.00	1,755.36
08/27/02 3:00 AM	708.19	1,003.64	1,914.96	23.58	1,007.69	423.18	437.59	414.74	1,656.00	1,749.40
08/27/02 4:00 AM	439.81	996.79	1,900.63	13.23	1,022.65	237.28	418.85	401.72	1,656.00	1,649.38
08/27/02 5:00 AM	407.42	993.05	1,888.18	11.71	1,031.26	210.37	406.79	391.95	1,656.00	1,628.19
08/27/02 6:00 AM	510.51	999.07	1,892.18	16.29	1,023.49	284.06	411.89	395.07	1,656.00	1,659.61
08/27/02 7:00 AM	741.68	1,004.17	1,897.93	25.40	1,035.09	447.63	439.89	422.90	1,656.00	1,733.39
08/27/02 8:00 AM	743.45	1,004.89	1,903.69	25.36	1,039.29	452.63	444.04	429.62	1,656.00	1,738.64
08/27/02 9:00 AM	744.40	1,003.85	1,909.45	23.58	1,000.92	454.13	445.16	428.87	1,656.00	1,736.02
08/27/02 10:00 AM	747.17	1,004.51	1,914.70	24.80	1,005.05	454.18	445.05	428.57	1,656.00	1,733.40
08/27/02 11:00 AM	750.25	1,003.77	1,915.86	25.08	1,005.29	454.72	444.88	429.11	1,656.00	1,730.78
08/27/02 12:00 PM	764.51	1,004.35	1,916.14	25.39	1,005.52	456.51	444.72	429.57	1,656.00	1,728.61
08/27/02 1:00 PM	773.10	1,004.16	1,916.43	24.95	1,005.76	458.75	444.59	429.54	1,656.00	1,729.05
08/27/02 2:00 PM	764.85	1,004.26	1,916.72	24.70	1,006.00	458.65	444.47	429.43	1,656.00	1,728.06
08/27/02 3:00 PM	759.06	1,003.86	1,917.00	25.08	1,006.23	457.61	444.34	429.73	1,656.00	1,726.68
08/27/02 4:00 PM	760.68	1,004.28	1,917.29	24.61	1,006.47	456.55	444.21	431.37	1,656.00	1,725.31
08/27/02 5:00 PM	753.65	1,003.76	1,917.58	24.86	1,006.69	455.50	444.09	431.08	1,656.00	1,725.47
08/27/02 6:00 PM	766.35	1,003.93	1,917.73	24.99	1,006.23	458.10	444.27	429.55	1,656.00	1,738.05
08/27/02 7:00 PM	762.40	1,004.30	1,916.89	24.64	1,005.43	461.38	445.09	428.61	1,656.00	1,748.91
08/27/02 8:00 PM	752.06	1,004.32	1,904.22	24.75	1,004.62	460.57	445.93	428.58	1,656.00	1,756.90
08/27/02 9:00 PM	726.30	1,004.04	1,901.74	24.54	1,003.81	450.80	446.77	428.56	1,656.00	1,737.46
08/27/02 10:00 PM	726.62	1,004.31	1,899.59	24.21	1,003.01	449.68	447.61	428.54	1,656.00	1,726.85
08/27/02 11:00 PM	728.55	1,004.07	1,897.44	23.67	1,002.20	449.30	448.32	428.58	1,656.00	1,717.71

Date	08/27/02 00:00:00								
Hour	Combustor Middle Temperature	Combustor Upper Temperature	Cyclone Outlet Temperature	RHII Outlet Gas Temperature	Economizer Inlet Gas Temperature	Economizer Outlet Gas Temperature	Baghouse Inlet Temperature	PA Air Heater Cold End Temperature	SA Air Heater Cold End Temperature
	DEG F	DEG F	DEG F	DEG F	DEG F	DEG F	DEG F	DEG F	DEG F
	SGAT3609	SGAT3612	SGAT3627	SGAT3637	SGAT3639	SGAT3640	EMP	AHT:U3_PAETAVG	AHT:U3_SAETAVG
08/27/02 12:00 AM	1,754.99	1,788.17	1,644.38	1,211.39	977.97	729.28	313.01	214.90	209.61
08/27/02 1:00 AM	1,756.69	1,789.47	1,643.67	1,209.67	977.41	728.50	312.09	214.58	209.36
08/27/02 2:00 AM	1,755.36	1,790.01	1,642.96	1,207.94	976.86	727.72	308.53	212.78	207.60
08/27/02 3:00 AM	1,749.40	1,788.46	1,635.75	1,197.68	972.43	722.45	307.19	211.60	206.18
08/27/02 4:00 AM	1,649.38	1,685.68	1,510.75	1,105.40	923.35	672.81	285.56	201.85	193.24
08/27/02 5:00 AM	1,628.19	1,659.86	1,486.68	1,099.68	918.98	660.93	277.19	196.95	191.13
08/27/02 6:00 AM	1,659.61	1,700.62	1,519.14	1,144.40	941.40	677.36	281.41	198.30	194.84
08/27/02 7:00 AM	1,733.39	1,770.00	1,625.12	1,224.28	993.20	736.15	311.52	213.55	210.87
08/27/02 8:00 AM	1,738.64	1,773.00	1,636.04	1,221.32	990.26	738.43	314.78	215.77	211.45
08/27/02 9:00 AM	1,736.02	1,768.68	1,638.93	1,214.13	982.62	735.52	314.24	215.22	211.33
08/27/02 10:00 AM	1,733.40	1,764.35	1,641.83	1,208.67	979.26	733.01	319.16	218.61	215.01
08/27/02 11:00 AM	1,730.78	1,760.03	1,644.72	1,208.71	978.11	732.53	320.58	220.29	217.43
08/27/02 12:00 PM	1,728.61	1,756.01	1,647.61	1,209.15	976.97	732.36	318.67	219.50	215.95
08/27/02 1:00 PM	1,729.05	1,754.31	1,650.50	1,209.60	975.83	732.19	320.33	220.58	217.55
08/27/02 2:00 PM	1,728.06	1,754.50	1,653.39	1,210.04	974.69	731.93	322.43	221.75	218.10
08/27/02 3:00 PM	1,726.68	1,755.06	1,655.71	1,210.49	973.55	730.55	321.28	221.36	217.46
08/27/02 4:00 PM	1,725.31	1,755.76	1,655.34	1,210.93	972.41	730.59	324.11	222.40	219.78
08/27/02 5:00 PM	1,725.47	1,757.01	1,654.95	1,211.38	971.30	729.96	323.12	220.69	218.14
08/27/02 6:00 PM	1,738.05	1,764.58	1,659.12	1,211.62	971.14	729.11	318.94	217.88	214.95
08/27/02 7:00 PM	1,748.91	1,772.13	1,664.79	1,211.29	971.44	730.04	321.20	218.94	216.93
08/27/02 8:00 PM	1,756.90	1,769.55	1,670.46	1,210.93	971.73	732.20	320.18	215.44	212.44
08/27/02 9:00 PM	1,737.46	1,765.44	1,672.28	1,210.56	972.02	731.70	317.70	212.56	212.15
08/27/02 10:00 PM	1,726.85	1,761.27	1,669.95	1,210.20	972.32	730.01	318.34	212.44	214.14
08/27/02 11:00 PM	1,717.71	1,750.10	1,667.62	1,209.83	972.61	734.81	320.56	213.70	213.62