

**DARABI  
AND  
ASSOCIATES, INC.**  
Environmental Consultants

**FAX TRANSMITTAL SHEET**

DATE	1/31/2000
PROJECT NUMBER	04100-463-01-0100
NUMBER OF PAGES (including cover sheet)	4
TO:	Bill Leffer/DEP, Tallahassee
FAX NUMBER	850/922-6979
FROM	Frank Darabi

COMMENTS:

Mulliniks Construction serial numbers, etc. as requested.

This message is intended only for the use of the individual or entity to which it is addressed and may contain information that is privileged, confidential, and exempt from disclosure under applicable law. If the reader of this message is not the intended recipient, or the employee or agent responsible for delivering the message to the intended recipient, you are hereby notified that any dissemination, distribution, or copying of this communication is strictly prohibited. If you have received this communication in error, please notify us immediately by telephone and return the original message to us at the return address listed above via the U.S. Postal Service. Thank you.

If you do not receive all pages, please contact Linda Feller at (352) 376-6533, ext. \_\_\_\_\_

Original to Follow by Mail: X

Fax Copy Only: \_\_\_\_\_

## Mulliniks Plant 01

Primary Crusher: Make - Eagle  
Model - UM15  
Ser.# - 11419  
Year - 1998

Primary crusher is on a Cedar Rapids carrier  
with a Cedar Rapids vibrating feeder  
Carrier ser.# 038980  
year - 1978

Secondary crusher and screen are a Pioneer  
portable - combination screen and crusher,  
secondary crusher - Pioneer 40x30  
triple roll  
screen Pioneer 5x16  
secondary unit ser.# 1164  
year 1974

Plant 01 is powered by a Caterpillar  
3412 generator ser.# 385-10488  
eng. is Turbo-charged

# Mulliniks Plant 02

Primary is a Pioneer jaw crusher with a Cedar Rapids vibrating feeder  
Powered by Cummins NTC 220  
non-turbo-charged diesel engine

Pioneer Jaw  
Model 30x42  
Ser.# 42199  
Year 1955

Cummins NTC 220  
Part # 18902  
Patent # 189020

no switch

Secondary Crusher Pioneer Roll  
Pioneer 40x30 triple roll  
Ser.# 4339-E-119  
Year 1974

powered by Cat D353  
ser.#. 460 09396  
turbo charged

Plant #02 Screen 11  
Telsmith G116  
Ser.# 5213  
Year 1964

02

Mulliniks Plant 02 Generator  
powered by Caterpillar 3306 Turbo charged  
diesel

Eng Ser # G4204320  
Gen Ser # 5DA0S105

Caterpillar 3306 operates all screens, conveyors  
and feeders

**DARABI  
AND  
ASSOCIATES, INC.**  
Environmental Consultants

---

**FAX TRANSMITTAL SHEET**

---

DATE	1/31/2000
PROJECT NUMBER	
NUMBER OF PAGES (including cover sheet)	
TO	Bill Leffer
FAX NUMBER	
FROM	Frank Darabi

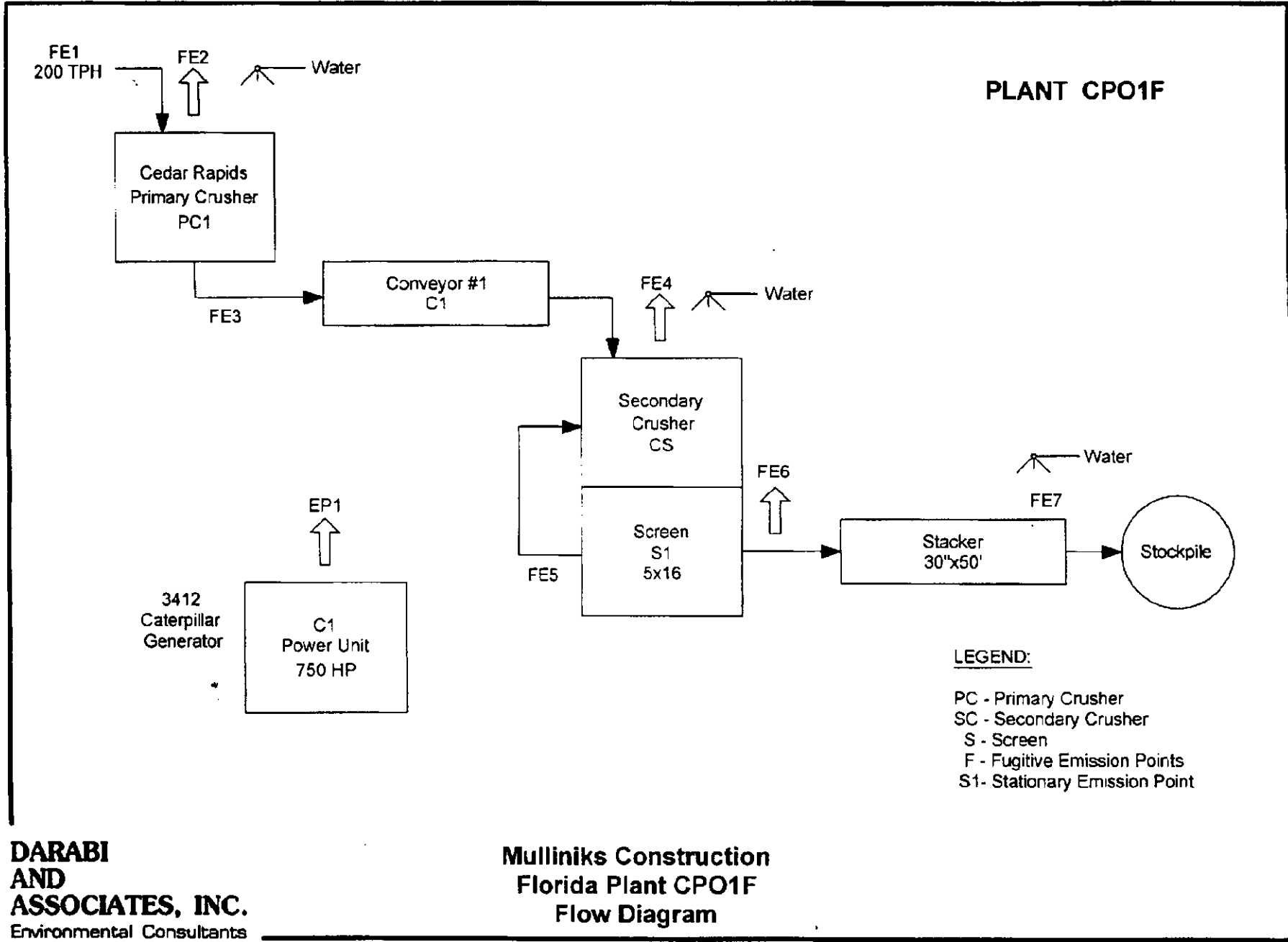
COMMENTS: Attached are the ~~to~~ flow diagrams for each unit.

**This message is intended only for the use of the individual or entity to which it is addressed and may contain information that is privileged, confidential, and exempt from disclosure under applicable law. If the reader of this message is not the intended recipient, or the employee or agent responsible for delivering the message to the intended recipient, you are hereby notified that any dissemination, distribution, or copying of this communication is strictly prohibited. If you have received this communication in error, please notify us immediately by telephone and return the original message to us at the return address listed below via the U.S. Postal Service. Thank you.**

If you do not receive all pages, please contact \_\_\_\_\_ at 352/376-6533, ext. \_\_\_\_\_

Original to Follow by Mail: \_\_\_\_\_

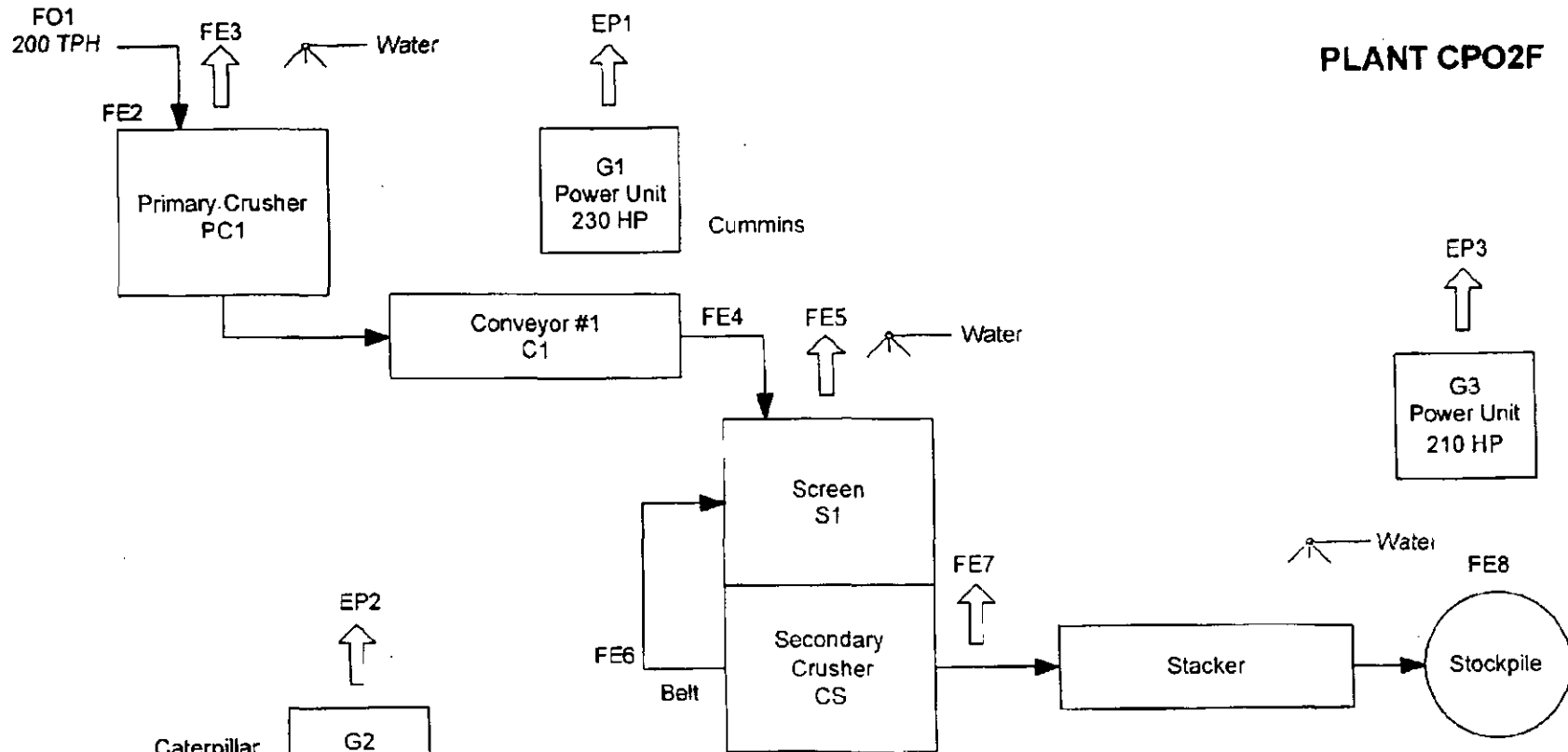
Fax Copy Only: \_\_\_\_\_



**DARABI AND ASSOCIATES, INC.**  
 Environmental Consultants

**Mulliniks Construction**  
**Florida Plant CPO1F**  
**Flow Diagram**

# PLANT CPO2F

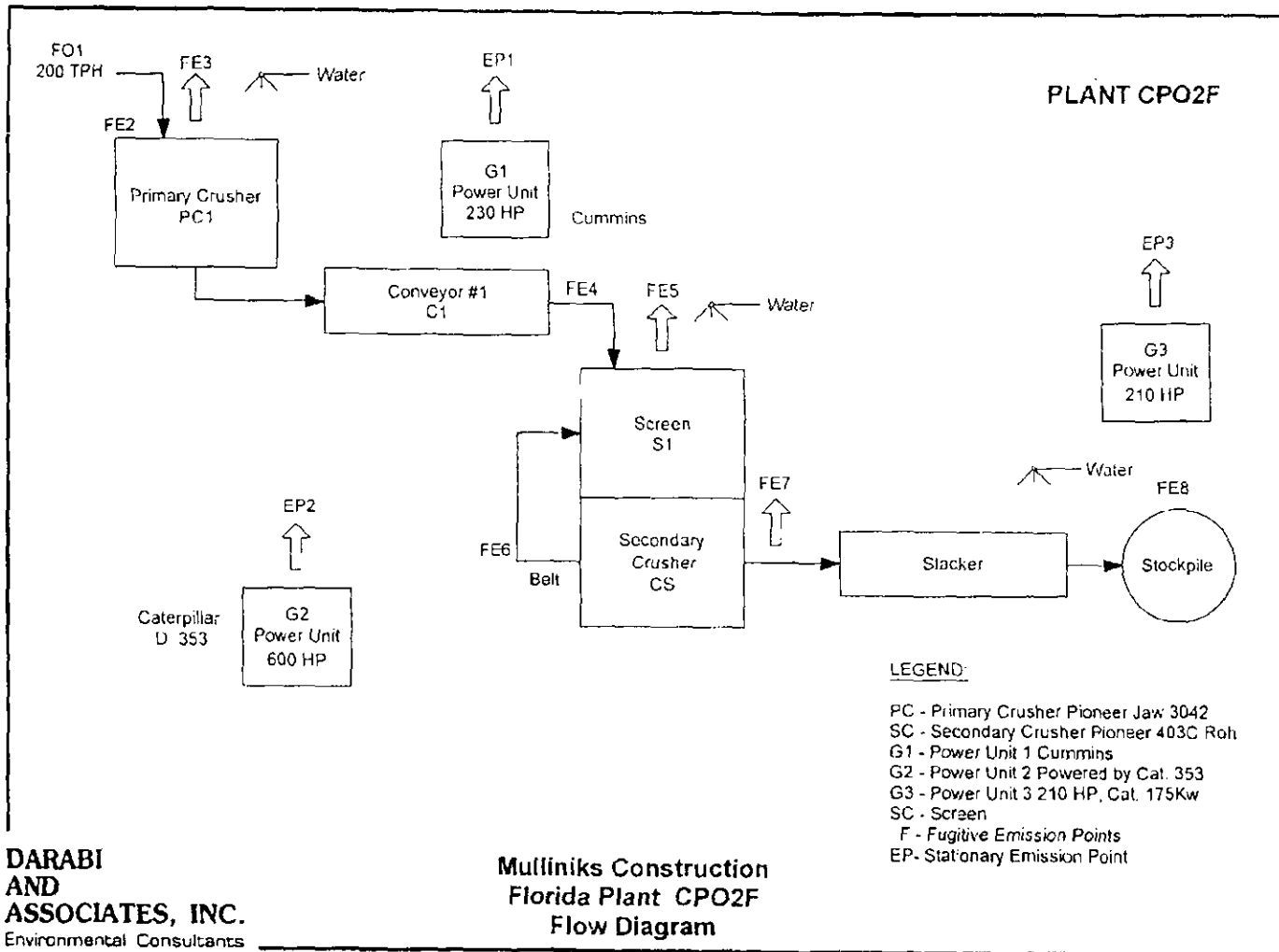


### LEGEND:

- PC - Primary Crusher Pioneer Jaw 3042
- SC - Secondary Crusher Pioneer 403C Roh
- G1 - Power Unit 1 Cummins
- G2 - Power Unit 2 Powered by Cat. 353
- G3 - Power Unit 3 210 HP, Cat. 175Kw
- SC - Screen
- F - Fugitive Emission Points
- EP- Stationary Emission Point

**DARABI AND ASSOCIATES, INC.**  
Environmental Consultants

**Mulliniks Construction**  
**Florida Plant CPO2F**  
**Flow Diagram**



**DARABI AND ASSOCIATES, INC.**  
 Environmental Consultants

**Mulliniks Construction**  
 Florida Plant CPO2F  
 Flow Diagram



02

Mulliniks Plant 02 Generator  
powered by Caterpillar 3306 Turbo charged  
diesel

Eng Ser # G4204320  
Gen Ser # 5DA0S105

Caterpillar 3306 operates all screens, conveyors  
and feeders

1/7/00

Spoke w/ Frank Darabi

Confirmed that both facilities 7775103  
and 7775104 use No. 2 Fuel oil.

Asked him about the configuration  
of Plant CPOZF. Two of the power  
units are used to power the crusher  
directly and ~~do not require~~ instead  
of using a generator.

Told Frank that I had calculated  
VOC emissions since they were not  
included in the application.

Asked him to provide a nameplate  
rating for the Caterpillar Model 3412  
Generator w/ plant CPOIF.

1/10/00

Spoke w/ Frank Darabi. He  
requested a meeting w/ Clair  
and Howard about statewide permits  
and the ways the different districts  
handle the permits.

I explained that Division does not  
have authority over the District's in  
this matter and that he should  
speak to NWD about the particular  
problem that he has.

Frank asked that the permit  
for CPOZF reflect an initial operation  
location of 5937 Sorel Drive  
Jacksonville, FL 32219  
instead of the previous address in  
Cantonment that he provided me with.

**DARABI  
AND  
ASSOCIATES, INC.**  
Environmental Consultants

Suite A • 730 NE Waldo Road, Gainesville, Florida 32641 • Phone: 352/376-6533 • Fax: 352/377-3166

January 6, 2000

Mr. Ross Pollock  
Florida Department of Environmental Protection  
Division of Air  
2600 Blair Stone Road  
Mail Station 5500  
Tallahassee, Florida 32399-2400

RE: Mulliniks Construction Co., Inc.

Dear Mr. Pollock:

Please be advised of the initial location of the two concrete crushers:

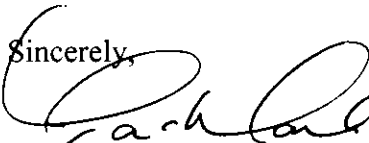
CPO1 - Will be located at the company headquarters on Soutel Road in Jacksonville, FL

CPO2 - This plant will be located at the following location:

110 Stone Blvd.  
Cantonment, Florida 32533

Latitude 30 36 44N Longitude 87 18 54W

Please feel free to call me should you have any questions.

Sincerely,  


Frank A. Darabi, P.E.  
President

FAD/lef H:\feller\FAD\MulliniksCantonment.1062000

Enclosure

**RECEIVED**

JAN 07 2000

BUREAU OF AIR REGULATION