

perMits|_Events_|_Payment_|_Site_|_Facility_|_party_|_Reports_|_ >

----- Permitting Application -----

----- ARMS Facility -----

Facility Name: RINKER_MATERIALS_CORPORATION AIRS ID: 1190031
County: SUMTER Owner: RINKER_MATERIALS_CORPORATION
Office: SW: TAMPA Category: POINT

----- Project -----

AIR Permit #: - - Project #: 002 CRA Reference #: 52643
Permit Office: SWD (DISTRICT) Agency Action: Effective
Project Name: CONCRETE_BATCH_PLANT_GP Desc: Wildwood Plant (Oxford)
Type/Sub/Req: AG /06 Non Title V General Permit - Existi Logged: 09-SEP-1999
Received: 07-SEP-1999 Issued: Expires: OGC: -
Fee: 100.00 Fee Recd: 100.00 Dele: Override: NONE

----- Related Party -----

Role: APPLICANT Begin: 09-SEP-1999 End:
Name: TURNER, DONALD W Company: RINKER_MATERIALS_CORPORATION
Addr: 1501 BELVEDERE RD
City: WEST PALM BEACH State: FL Zip: 33406- Country:
Phone: 561-820-8348 Fax: 561-820-8388

----- Processors -----

Processor: FERNANDEZ_L Y Active: 09-SEP-1999 Inactive:

Enter Project Name.

Count: 1 v

<Replace>

MAILED VIA AIRBORNE EXPRESS



America

September 1, 1999

Louis Fernandez, Air Resources Mgt. Division
Florida Dept. of Environmental Protection
Southwest District
8407 Laurel Fair Circle
Tampa, FL 33610

RE: Revised general air operating permit for the CSR Rinker / Wildwood ready-mix concrete batching facility.

Dear Mr. Fernandez:

Attached with this letter is an FDEP General Air Notification Form, a letter of authorization, one set of visible emissions test results and check no. 20203064 in the amount of \$100.00. This information is being submitted to your office in order to request a revised general air operating permit for our Wildwood ready-mix concrete batching facility, which is located at 4270 C. R. 124-A, north of Wildwood, Florida. The site's present air operating permit number is 1190031-001-AG.

The revised permit is being requested primarily because of the installation of an additional dust collector to control the mixer truck loadout. The dust collector that serves the weigh hopper is also a different model than the one originally specified. Specification sheets for these two units are included with this information package.

If you have any questions concerning the submittal or need additional information to complete your review, please contact me at (561) 820-8415.

Sincerely,

A handwritten signature in black ink, appearing to read 'Jeff R. Porter'.

Jeffrey R. Porter
Permit/Project Manager

D.E.P.
SEP 07 1999
Southwest District Tampa

Attachments

cc: D. Turner
M. LaFavers
File (Wildwood)

AIRWILDLETT.DOC

D.E.P.
SEP 07 1999
Southwest District Tampa

CONCRETE BATCHING PLANT
AIR GENERAL PERMIT NOTIFICATION FORM

Part III. Notification of Intent to Use General Permit

(Submit this Part to the appropriate permitting office and keep copy of completed form onsite. Instructions follow.)

Instructions to Owner or Operator: To give notice to the Department of an eligible facility's intent to use the concrete batching plant air general permit, the owner or operator of the facility must detach and complete Part III of this Concrete Batching Plant Air General Permit Notification Form and submit it to the appropriate Department of Environmental Protection district office or local air pollution control program office which has been delegated permitting authority. Please type or print clearly all information and enclose the appropriate general permit processing fee pursuant to Rule 62-4.050(4)(o), F.A.C. Please note, the form will not be considered complete unless: 1) the processing fee is attached; 2) if appropriate, the proof of notice publication is attached; and 3) if the facility is existing, visible emissions testing was conducted within 60 days of submitting the form and the test results have already been submitted to the appropriate permitting authority or accompany the form. Also, please refer to the instructions for completing Part III of the notification form at the end of the form.

General Facility Information

| |
|--|
| Facility Owner/Company Name (Name of corporation, agency, or individual owner): Rinker Materials Corporation |
| Site Name (For example, plant name or number): Rinker Materials Corporation - Wildwood |
| Facility Location: Street Address: 4270 C. R. 124-A (Dairyman's Road) City: Wildwood, north of County: Sumter Zip Code: 34785-8703 |
| Facility Start-Up Date: July 5, 1999 |
| Relocatable: <input type="checkbox"/> YES <input checked="" type="checkbox"/> NO |

Owner/Authorized Representative

| |
|---|
| Name and Title: Donald W. Turner, P.G. - Environmental Manager |
| Owner/Authorized Representative Mailing Address: (See street address) Organization/Firm: Rinker Materials Corporation Street Address: 1501 Belvedere Road City: West Palm Beach County: Palm Beach Zip Code: 33406 |
| Owner/Authorized Representative Telephone Number: Telephone: (561) 820-8348 Fax: (561) 820-8388 |

Facility Contact (If different from Owner/Authorized Representative)

| | | |
|---|---------------------|----------------------|
| Name and Title: | | |
| David M. LaFavers - Operations Foreman | | |
| Facility Contact Mailing Address: (See below) | | |
| Organization/Firm: Rinker Materials Corporation | | |
| Street Address: 4270 C. R. 124-A | | |
| City: Wildwood | County: Sumter | Zip Code: 34785-8703 |
| Facility Contact Telephone Number: | | |
| Telephone: (352) 330-3600 | Fax: (352) 330-3604 | |

Notification Type

| |
|--|
| Check one: |
| <input type="checkbox"/> NEW: Notification of a proposed <i>new</i> concrete batching plant. |
| <input checked="" type="checkbox"/> EXISTING: Notification of an <i>existing</i> permitted concrete batching plant which is <i>not</i> changing location. |
| <input type="checkbox"/> RELOCATION: Notification of an <i>existing</i> permitted concrete batching plant which <i>is</i> changing location. |

Relocation Information (Complete only if the "RELOCATION" box is indicated above)

| | | |
|---|---------|-----------|
| Previous Facility Location: | | |
| Street Address: | | |
| City: | County: | Zip Code: |
| Facility Shut-Down Date at Previous Location: | | |

Facility Comments

| |
|---|
| <p>A ready-mix concrete batching facility, including a two-compartment cement silo, a single-compartment flyash silo, a cement weigh hopper and a concrete mixer truck loadout.</p> |
|---|

Emissions Unit(s) Description

Ready-Mix Concrete Batching Facility:

- 001 - Cement silo compartment-1 (served by a C. & W. Dust Systems Model CP-230-639 cartridge dust collector).
- 002 - Cement silo compartment-2 (served by a C. & W. Dust Systems Model CP-230-639 cartridge dust collector).
- 003 - Single-compartment flyash/slag silo (served by a C. & W. Dust Systems Model CP-230-639 cartridge dust collector).
- 004 - Cement weigh hopper (served by a C. & W. Dust Systems Model CP-35-219 cartridge dust collector).
- 005 - Concrete mixer truck loadout* (served by a C. & W. Dust Systems Model CP-900-1278 central cartridge dust collector).

* The concrete mixer truck loadout is considered a fugitive emissions source.

Surrender of Existing Air Permit(s)

Check one:

- I hereby surrender all existing air permits authorizing operation of the facility indicated on this form; specifically permit number(s) 1190031-001-AG.
- No air permits currently exist for the operation of the facility indicated on this form.

Owner/Authorized Representative Statement

I, the undersigned, am the owner or authorized representative of the owner or operator of the facility addressed in this Air General Permit Notification Form. I hereby certify, based on information and belief formed after reasonable inquiry, that the statements made in this notification are true, accurate and complete. Further, I agree to operate and maintain the air pollutant emissions units and air pollution control equipment described in this notification so as to comply with all applicable standards for control of air pollutant emissions found in the statutes of the State of Florida and rules of the Department of Environmental Protection and revisions thereof.

I will promptly notify the Department of any changes to the information contained in this notification.

Donald W. Jones
Signature

7/14/99
Date



Rinker

November 5, 1997

Florida Department of Environmental Protection
Southwest District
3804 Coconut Palm Drive
Tampa, FL 33619

TO WHOM IT MAY CONCERN:

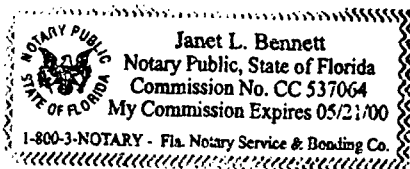
This letter is authorization for Donald W. Turner, P.G., Environmental Manager, to sign applications to construct, operate or renew permits for pollution sources belonging to the Rinker Materials Corporation and its subsidiaries.

Very Truly Yours,

Patrick J. Fagan
Vice-President, Materials Division
South Region
Rinker Materials Corporation
P. O. Box 24635
West Palm Beach, FL 33416-4635
(800) 226-5521

STATE OF FLORIDA
COUNTY OF PALM BEACH

Subscribed and sworn to before me this fifth day of November, 1997 by Patrick J. Fagan, personally known to me to be Vice-President of the Rinker Materials Corporation. He did not take an oath.



(Notary Public In and For
Said County and State)

LETTAUTFDEPSW.DOC

D.E.P.
SEP 07 1999

Beatty Environmental Services

VISIBLE EMISSION OBSERVATION FORM

| Source Name | | Observation Date | Start Time | | | | End Time | | | | |
|--|--|------------------------------------|------------|-------------------------------|----|------------------------------------|----------|-----------|----|----|----|
| CSR Rinker | | 9-1-99 | 0800 | | | | 0830 | | | | |
| Facility Name | | sec | 0 | 15 | 30 | 45 | sec | 0 | 15 | 30 | 45 |
| Wildwood Batch Plant | | min | | | | | min | | | | |
| Facility Address | | 1 | 0 | 0 | 0 | 0 | 31 | | | | |
| 4270 CR 124A | | 2 | 0 | 0 | 0 | 0 | 32 | | | | |
| City | | 3 | 0 | 0 | 0 | 0 | 33 | | | | |
| Wildwood | | 4 | 0 | 0 | 0 | 0 | 34 | | | | |
| Phone | | 5 | 0 | 0 | 0 | 0 | 35 | | | | |
| 352-330-3600 | | 6 | 0 | 0 | 0 | 0 | 36 | | | | |
| DEP Id. Number | | 7 | 0 | 0 | 0 | 0 | 37 | | | | |
| 1190031-01 | | 8 | 0 | 0 | 0 | 0 | 38 | | | | |
| Process Equipment | | 9 | 0 | 0 | 0 | 0 | 39 | | | | |
| unload cement | | 10 | 0 | 0 | 0 | 0 | 40 | | | | |
| Operating Mode | | 11 | 0 | 0 | 0 | 0 | 41 | | | | |
| IDPSE | | 12 | 0 | 0 | 0 | 0 | 42 | | | | |
| Control Equipment | | 13 | 0 | 0 | 0 | 0 | 43 | | | | |
| dust collector - north side | | 14 | 0 | 0 | 0 | 0 | 44 | | | | |
| Operating Mode | | 15 | 0 | 0 | 0 | 0 | 45 | | | | |
| AUTOMATIC | | 16 | 0 | 0 | 0 | 0 | 46 | | | | |
| Describe Emission Pt | | 17 | 0 | 0 | 0 | 0 | 47 | | | | |
| Start VENT on W. side of silo Stop SAME | | 18 | 0 | 0 | 0 | 0 | 48 | | | | |
| Distance from observer | | 19 | 0 | 0 | 0 | 0 | 49 | | | | |
| Start 225' Stop SAME | | 20 | 0 | 0 | 0 | 0 | 50 | | | | |
| Direction from observer | | 21 | 0 | 0 | 0 | 0 | 51 | | | | |
| Start 318° Stop SAME | | 22 | 0 | 0 | 0 | 0 | 52 | | | | |
| Height above ground | | 23 | 0 | 0 | 0 | 0 | 53 | | | | |
| Start 68' Stop SAME | | 24 | 0 | 0 | 0 | 0 | 54 | | | | |
| Height relative to observer | | 25 | 0 | 0 | 0 | 0 | 55 | | | | |
| Start 65' Stop SAME | | 26 | 0 | 0 | 0 | 0 | 56 | | | | |
| Describe emissions | | 27 | 0 | 0 | 0 | 0 | 57 | | | | |
| Start NONE Stop NONE | | 28 | 0 | 0 | 0 | 0 | 58 | | | | |
| Emission color | | 29 | 0 | 0 | 0 | 0 | 59 | | | | |
| Start NONE Stop | | 30 | 0 | 0 | 0 | 0 | 60 | | | | |
| Plume type: | | Average opacity for highest period | | 0% | | Number of readings above 0% were 0 | | | | | |
| Start NONE Stop | | Range of opacity readings | | 0% min 0% max | | | | | | | |
| Fugitive <input checked="" type="checkbox"/> Intermittent <input type="checkbox"/> | | Observer's name | | Cynthia D. Beatty | | | | | | | |
| Point in plume at which opacity was determined | | Observer's signature | | Cynthia D. Beatty | | | | | | | |
| Start Area of vent exit Stop SAME | | Organization | | Beatty Environmental Services | | | | | | | |
| Describe background | | Verified by | | Certified by | | Eastern Technical Associates | | Date 8-99 | | | |
| Start SKY Stop SAME | | | | | | | | | | | |
| Background color | | | | | | | | | | | |
| Start BLUE Stop WHITE | | | | | | | | | | | |
| Sky conditions | | | | | | | | | | | |
| Start SCATTERED Stop BROKEN | | | | | | | | | | | |
| Wind speed | | | | | | | | | | | |
| Start 0-3 mph Stop 2-5 mph | | | | | | | | | | | |
| Wind direction | | | | | | | | | | | |
| Start E Stop E | | | | | | | | | | | |
| Ambient temp | | | | | | | | | | | |
| Start 71° Stop 71° | | | | | | | | | | | |
| Wet bulb temp. | | | | | | | | | | | |
| Start 70° | | | | | | | | | | | |
| R.H. % | | | | | | | | | | | |
| Start 94% | | | | | | | | | | | |
| Slant angle | | | | | | | | | | | |
| Start 16° Stop SAME | | | | | | | | | | | |
| Source layout | | | | | | | | | | | |
| | | | | | | | | | | | |
| Comments | | | | | | | | | | | |
| 25.80 tons cement unloaded | | | | | | | | | | | |
| approx. 34.4 tons/hr - fill rate | | | | | | | | | | | |

Beatty Environmental Services

VISIBLE EMISSION OBSERVATION FORM

| Source Name | | Observation Date | | | | Start Time | | End Time | | | |
|--|--|------------------------------------|---|--|----|---------------------------------|-----|-------------------------------|----|------------------------------|----|
| CSR Rinker | | 9-1-99 | | | | 0800 | | 0830 | | | |
| Facility Name | | sec | 0 | 15 | 30 | 45 | sec | 0 | 15 | 30 | 45 |
| Wildwood Batch Plant | | min | | | | | min | | | | |
| Facility Address | | 1 | 0 | 0 | 0 | 0 | 31 | | | | |
| 4270 CR 124A | | 2 | 0 | 0 | 0 | 0 | 32 | | | | |
| City | | 3 | 0 | 0 | 0 | 0 | 33 | | | | |
| Wildwood | | 4 | 0 | 0 | 0 | 0 | 34 | | | | |
| State | | 5 | 0 | 0 | 0 | 0 | 35 | | | | |
| FL | | 6 | 0 | 0 | 0 | 0 | 36 | | | | |
| Phone | | 7 | 0 | 0 | 0 | 0 | 37 | | | | |
| 352-330-3400 | | 8 | 0 | 0 | 0 | 0 | 38 | | | | |
| DEP Id. Number | | 9 | 0 | 0 | 0 | 0 | 39 | | | | |
| 119 0031-02 | | 10 | 0 | 0 | 0 | 0 | 40 | | | | |
| Process Equipment | | 11 | 0 | 0 | 0 | 0 | 41 | | | | |
| Unload cement | | 12 | 0 | 0 | 0 | 0 | 42 | | | | |
| Operating Mode | | 13 | 0 | 0 | 0 | 0 | 43 | | | | |
| 11 PSI | | 14 | 0 | 0 | 0 | 0 | 44 | | | | |
| Control Equipment | | 15 | 0 | 0 | 0 | 0 | 45 | | | | |
| dust collector - south side | | 16 | 0 | 0 | 0 | 0 | 46 | | | | |
| Operating Mode | | 17 | 0 | 0 | 0 | 0 | 47 | | | | |
| AUTOMATIC | | 18 | 0 | 0 | 0 | 0 | 48 | | | | |
| Describe Emission Pt | | 19 | 0 | 0 | 0 | 0 | 49 | | | | |
| Start Vent on E side of silo Stop SAME | | 20 | 0 | 0 | 0 | 0 | 50 | | | | |
| Distance from observer | | 21 | 0 | 0 | 0 | 0 | 51 | | | | |
| Start 225' Stop SAME | | 22 | 0 | 0 | 0 | 0 | 52 | | | | |
| Direction from observer | | 23 | 0 | 0 | 0 | 0 | 53 | | | | |
| Start 318° Stop SAME | | 24 | 0 | 0 | 0 | 0 | 54 | | | | |
| Height above ground | | 25 | 0 | 0 | 0 | 0 | 55 | | | | |
| Start 78' Stop SAME | | 26 | 0 | 0 | 0 | 0 | 56 | | | | |
| Height relative to observer | | 27 | 0 | 0 | 0 | 0 | 57 | | | | |
| Start 65' Stop SAME | | 28 | 0 | 0 | 0 | 0 | 58 | | | | |
| Describe emissions | | 29 | 0 | 0 | 0 | 0 | 59 | | | | |
| Start NONE Stop NONE | | 30 | 0 | 0 | 0 | 0 | 60 | | | | |
| Emission color | | Average opacity for highest period | | 0% | | Number of readings above % were | | 0 | | 0 | |
| Start NONE Stop | | Range of opacity readings | | 0% min 0% max | | | | | | | |
| Plume type: Continuous <input type="checkbox"/> | | Observer's name | | Cynthia D. Beatty | | Observer's signature | | Cynthia D. Beatty | | Organization | |
| Fugitive <input checked="" type="checkbox"/> Intermittent <input type="checkbox"/> | | Observer's signature | | Cynthia D. Beatty | | Organization | | Beatty Environmental Services | | Verified by | |
| Point in plume at which opacity was determined | | Wet bulb temp. | | 70° | | R.H. % | | 94% | | Certified by | |
| Start 0% of vent exit Stop SAME | | Slant angle | | Start 16° Stop SAME <td colspan="2">Sun location line</td> <td colspan="2">Date</td> <td colspan="2">Eastern Technical Associates</td> | | Sun location line | | Date | | Eastern Technical Associates | |
| Describe background | | Source layout | | | | | | | | | |
| Start SKY Stop SAME | | Ambient temp | | Start 71° Stop 71° | | | | | | | |
| Background color | | Comments | | 27-24 tons cement ~ 2/3 unloaded | | | | | | | |
| Start BLUE Stop WHITE | | Fill rate approx 36.3 tons/hr | | | | | | | | | |
| Sky conditions | | Verified by | | | | | | | | | |
| Start SKY STOP BROKEN | | Certified by | | Eastern Technical Associates | | | | | | | |
| Wind speed | | Date | | 8-99 | | | | | | | |
| Start 0-3 MPH Stop 2-5 MPH | | | | | | | | | | | |
| Wind direction | | | | | | | | | | | |
| Start E Stop E | | | | | | | | | | | |

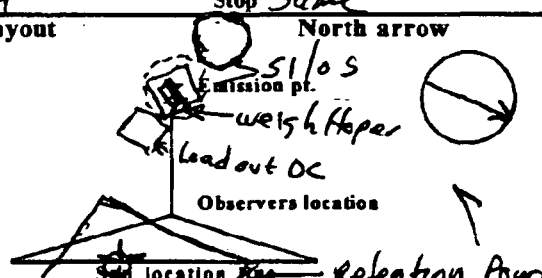
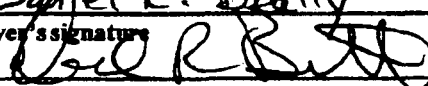
Beatty Environmental Services

VISIBLE EMISSION OBSERVATION FORM

| | | | | | | | | | | | | |
|---|--|---|---|----|----|---------------------------|--|-------------------------|---------------------|----|----|--|
| Source Name <i>CSR Rinker</i> | | Observation Date <i>9-1-99</i> | | | | Start Time <i>0800</i> | | End Time <i>0830</i> | | | | |
| Facility Name <i>Wildwood Batch Plant</i> | | sec | 0 | 15 | 30 | 45 | sec | 0 | 15 | 30 | 45 | |
| Facility Address <i>4270 CR 124A</i> | | 1 | 0 | 0 | 0 | 0 | 31 | | | | | |
| City <i>Wildwood</i> | | 2 | 0 | 0 | 0 | 0 | 32 | | | | | |
| State FL | | 3 | 0 | 0 | 0 | 0 | 33 | | | | | |
| Phone <i>352-330-3600</i> | | 4 | 0 | 0 | 0 | 0 | 34 | | | | | |
| DEP Id. Number <i>1190031-03</i> | | 5 | 0 | 0 | 0 | 0 | 35 | | | | | |
| Process Equipment <i>Unload Flyash</i> | | 6 | 0 | 0 | 0 | 0 | 36 | | | | | |
| Operating Mode <i>9PST</i> | | 7 | 0 | 0 | 0 | 0 | 37 | | | | | |
| Control Equipment <i>dust collector</i> | | 8 | 0 | 0 | 0 | 0 | 38 | | | | | |
| Operating Mode <i>AUTOMATIC</i> | | 9 | 0 | 0 | 0 | 0 | 39 | | | | | |
| Describe Emission Pt <i>Start Vent on S. side of silo Stop SAME</i> | | 10 | 0 | 0 | 0 | 0 | 40 | | | | | |
| Distance from observer <i>Start 225' Stop SAME</i> | | 11 | 0 | 0 | 0 | 0 | 41 | | | | | |
| Direction from observer <i>Start 318° Stop SAME</i> | | 12 | 0 | 0 | 0 | 0 | 42 | | | | | |
| Height above ground <i>Start 55' Stop SAME</i> | | 13 | 0 | 0 | 0 | 0 | 43 | | | | | |
| Height relative to observer <i>Start 52' Stop SAME</i> | | 14 | 0 | 0 | 0 | 0 | 44 | | | | | |
| Describe emissions <i>Start NONE Stop NONE</i> | | 15 | 0 | 0 | 0 | 0 | 45 | | | | | |
| Emission color <i>Start NONE Stop NONE</i> | | 16 | 0 | 0 | 0 | 0 | 46 | | | | | |
| Plume type: Continuous <input type="checkbox"/> | | 17 | 0 | 0 | 0 | 0 | 47 | | | | | |
| Fugitive <input checked="" type="checkbox"/> Intermittent <input type="checkbox"/> | | 18 | 0 | 0 | 0 | 0 | 48 | | | | | |
| Point in plume at which opacity was determined <i>Start end of vent exit Stop SAME</i> | | 19 | 0 | 0 | 0 | 0 | 49 | | | | | |
| Describe background <i>Start SKY Stop SAME</i> | | 20 | 0 | 0 | 0 | 0 | 50 | | | | | |
| Background color <i>Start BLUE Stop WHITE</i> | | 21 | 0 | 0 | 0 | 0 | 51 | | | | | |
| Sky conditions <i>Start CENTERED Stop BROKEN</i> | | 22 | 0 | 0 | 0 | 0 | 52 | | | | | |
| Wind speed <i>Start 0-3MPH Stop 2-5MPH</i> | | 23 | 0 | 0 | 0 | 0 | 53 | | | | | |
| Wind direction <i>Start E Stop E</i> | | 24 | 0 | 0 | 0 | 0 | 54 | | | | | |
| Ambient temp <i>Start 71° Stop 71°</i> | | 25 | 0 | 0 | 0 | 0 | 55 | | | | | |
| Wet bulb temp. <i>70°</i> | | 26 | 0 | 0 | 0 | 0 | 56 | | | | | |
| R.H.% <i>94%</i> | | 27 | 0 | 0 | 0 | 0 | 57 | | | | | |
| Slant angle <i>Start 13° Stop SAME</i> | | 28 | 0 | 0 | 0 | 0 | 58 | | | | | |
| Source layout <i>North arrow</i> | | 29 | 0 | 0 | 0 | 0 | 59 | | | | | |
| | | 30 | 0 | 0 | 0 | 0 | 60 | | | | | |
| | | Average opacity for highest period <i>0%</i> | | | | | Number of readings above <i>0%</i> were <i>0</i> | | | | | |
| | | Range of opacity readings <i>0%</i> min <i>0%</i> max | | | | | | | | | | |
| Comments <i>26-10 tons flyash ~ 2/3 unloaded</i> | | Observer's name <i>Cynthia D. Beatty</i> | | | | | | | | | | |
| <i>fill rate - approx 34.8 tons/hr.</i> | | Observer's signature <i>Cynthia D. Beatty</i> | | | | | | | | | | |
| | | Organization Beatty Environmental Services | | | | | | | | | | |
| Verified by | | Certified by Eastern Technical Associates | | | | | | | Date <i>9-99</i> | | | |

Beatty Environmental Services

VISIBLE EMISSION OBSERVATION FORM

| | | | | | | | | | | | |
|--|--|--|---|----|----|---------------------------|------------|-------------------------|----|----|----|
| Source Name CSR Rinker | | Observation Date 9-1-99 | | | | Start Time 0800 | | End Time 0830 | | | |
| Facility Name Wildwood Batch Plant | | sec min | 0 | 15 | 30 | 45 | sec min | 0 | 15 | 30 | 45 |
| Facility Address 4270 CR 124A | | 1 | 0 | 0 | 0 | 0 | 31 | | | | |
| City Wildwood | | State FL | | 2 | 0 | 0 | 0 | 32 | | | |
| Phone (852) 330-3600 | | DEP Id. Number 1190031-04 | | 3 | 0 | 0 | 0 | 33 | | | |
| Process Equipment Batching Mixer Trucks | | Operating Mode 150yd³/hr | | 4 | 0 | 0 | 0 | 34 | | | |
| Control Equipment Weigh Hopper | | Operating Mode Auto | | 5 | 0 | 0 | 0 | 35 | | | |
| Describe Emission Pt Start Vent on E side of bh Stop Same | | 6 | 0 | 0 | 0 | 0 | 36 | | | | |
| Distance from observer Start ~135' Stop Same | | Direction from observer Start 232° Stop Same | | 7 | 0 | 0 | 0 | 37 | | | |
| Height above ground Start ~38' Stop Same | | Height relative to observer Start ~32' Stop Same | | 8 | 0 | 0 | 0 | 38 | | | |
| Describe emissions Start None Stop Same | | 9 | 0 | 0 | 0 | 0 | 39 | | | | |
| Emission color Start None Stop Same | | Plume type: Continuous <input type="checkbox"/> | | 10 | 0 | 0 | 0 | 40 | | | |
| Point in plume at which opacity was determined Start Vent exit Stop Same | | Fugitive <input checked="" type="checkbox"/> Intermittent <input type="checkbox"/> | | 11 | 0 | 0 | 0 | 41 | | | |
| Describe background Start Sky Stop Same | | 12 | 0 | 0 | 0 | 0 | 42 | | | | |
| Background color Start Blue Stop Same | | Sky conditions Start B n low Stop Same | | 13 | 0 | 0 | 0 | 43 | | | |
| Wind speed Start 0-3 mph Stop Same | | Wind direction Start NNE Stop Same | | 14 | 0 | 0 | 0 | 44 | | | |
| Ambient temp Start 71° Stop 71° | | Wet bulb temp. 70° | | 15 | 0 | 0 | 0 | 45 | | | |
| Slant angle Start 14° Stop Same | | R.H. % 99% | | 16 | 0 | 0 | 0 | 46 | | | |
| Source layout  | | 17 | 0 | 0 | 0 | 0 | 47 | | | | |
| Average opacity for highest period 0% | | Number of readings above 0 % were 0 | | 18 | 0 | 0 | 0 | 48 | | | |
| Range of opacity readings 0% min 0% max | | Observer's name Daniel R. Beatty | | 19 | 0 | 0 | 0 | 49 | | | |
| Comments Observed 3 truck batchings during test | | Observer's signature  | | 20 | 0 | 0 | 0 | 50 | | | |
| Verified by | | Organization Beatty Environmental Services | | 21 | 0 | 0 | 0 | 51 | | | |
| Certified by Eastern Technical Associates | | Date 8/99 | | 22 | 0 | 0 | 0 | 52 | | | |

Beatty Environmental Services

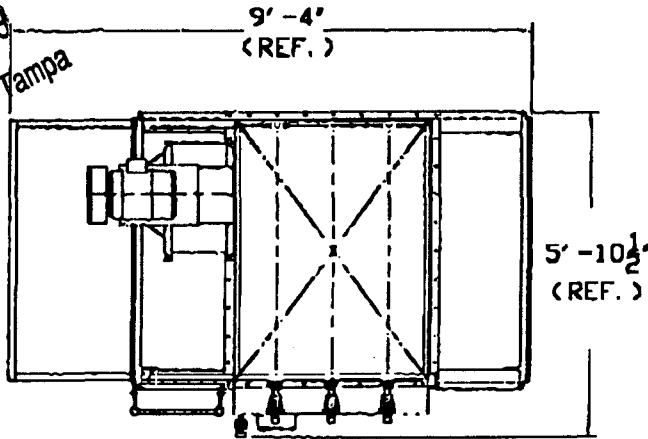
VISIBLE EMISSION OBSERVATION FORM

| Source Name | | Observation Date | | | | Start Time | | End Time | | | |
|--|--|--|---|---------------------------|----|--------------------------|-----|---------------------|----|------------------------|----|
| CSR Rinker | | 9-1-99 | | | | 0804 | | 0834 | | | |
| Facility Name | | sec | 0 | 15 | 30 | 45 | sec | 0 | 15 | 30 | 45 |
| Wildwood Batch Plant | | min | | | | | min | | | | |
| Facility Address | | 1 | 0 | 0 | 0 | 0 | 31 | | | | |
| 4270 CR 124A | | 2 | 0 | 0 | 0 | 0 | 32 | | | | |
| City | | 3 | 0 | 0 | 0 | 0 | 33 | | | | |
| Wildwood | | 4 | 0 | 0 | 0 | 0 | 34 | | | | |
| State | | 5 | 0 | 0 | 0 | 0 | 35 | | | | |
| FL | | 6 | 0 | 0 | 0 | 0 | 36 | | | | |
| Phone | | 7 | 0 | 0 | 0 | 0 | 37 | | | | |
| (852) 330-3600 | | 8 | 0 | 0 | 0 | 0 | 38 | | | | |
| DEP Id. Number | | 9 | 0 | 0 | 0 | 0 | 39 | | | | |
| 1190031-05 | | 10 | 0 | 0 | 0 | 0 | 40 | | | | |
| Process Equipment | | 11 | 0 | 0 | 0 | 0 | 41 | | | | |
| Batching Mixer Trucks | | 12 | 0 | 0 | 0 | 0 | 42 | | | | |
| Operating Mode | | 13 | 0 | 0 | 0 | 0 | 43 | | | | |
| 150 yd ³ /hr | | 14 | 0 | 0 | 0 | 0 | 44 | | | | |
| Control Equipment | | 15 | 0 | 0 | 0 | 0 | 45 | | | | |
| Mixer Load Out Dust Collector | | 16 | 0 | 0 | 10 | 10 | 46 | | | | |
| Operating Mode | | 17 | 0 | 10 | 0 | 0 | 47 | | | | |
| Auto | | 18 | 0 | 0 | 0 | 0 | 48 | | | | |
| Describe Emission Pt | | 19 | 0 | 0 | 0 | 0 | 49 | | | | |
| Start Vent on E. side of DC Stop same | | 20 | 0 | 0 | 0 | 0 | 50 | | | | |
| Distance from observer | | 21 | 0 | 0 | 0 | 0 | 51 | | | | |
| Start ~135' Stop same | | 22 | 0 | 0 | 0 | 0 | 52 | | | | |
| Direction from observer | | 23 | 0 | 0 | 0 | 0 | 53 | | | | |
| Start 232° Stop same | | 24 | 0 | 0 | 0 | 0 | 54 | | | | |
| Height above ground | | 25 | 0 | 0 | 0 | 0 | 55 | | | | |
| Start ~40' Stop same | | 26 | 0 | 0 | 0 | 0 | 56 | | | | |
| Height relative to observer | | 27 | 0 | 0 | 0 | 0 | 57 | | | | |
| Start ~34' Stop same | | 28 | 0 | 0 | 0 | 0 | 58 | | | | |
| Describe emissions | | 29 | 0 | 0 | 0 | 0 | 59 | | | | |
| Start tan dust Stop same | | 30 | 0 | 0 | 0 | 0 | 60 | | | | |
| Emission color | | Average opacity for highest period | | 1.25% | | Number of readings above | | 0 % were 3 | | | |
| Start tan Stop same | | Range of opacity readings | | 0% min 10% max | | | | | | | |
| Plume type: | | Comments | | | | | | | | | |
| Continuous <input type="checkbox"/> | | Point in plume at which opacity was determined | | Start Vent exit Stop same | | | | | | | |
| Fugitive <input checked="" type="checkbox"/> | | Describe background | | Start sky Stop same | | | | | | | |
| Intermittent <input type="checkbox"/> | | Start sky Stop same | | Background color | | Start Blue Stop same | | Sky conditions | | Start Broken Stop same | |
| Point in plume at which opacity was determined | | Wind speed | | Start 0-3 mph Stop same | | Wind direction | | Start NNE Stop same | | Ambient temp | |
| Start Vent exit Stop same | | Start 0-3 mph Stop same | | Start NNE Stop same | | Wet bulb temp. | | 70° | | R.H. % | |
| Describe background | | Ambient temp | | Start 71° Stop same | | R.H. % | | 94% | | Slant angle | |
| Start sky Stop same | | Start 71° Stop same | | 70° | | 94% | | Start 14° Stop same | | Source layout | |
| Background color | | Start 14° Stop same | | Source layout | | North arrow | | silos | | emission pt. | |
| Start Blue Stop same | | Source layout | | North arrow | | silos | | emission pt. | | load out DC | |
| Sky conditions | | Source layout | | North arrow | | silos | | emission pt. | | load out DC | |
| Start Broken Stop same | | Source layout | | North arrow | | silos | | emission pt. | | load out DC | |
| Wind direction | | Source layout | | North arrow | | silos | | emission pt. | | load out DC | |
| Start NNE Stop same | | Source layout | | North arrow | | silos | | emission pt. | | load out DC | |
| Wet bulb temp. | | Source layout | | North arrow | | silos | | emission pt. | | load out DC | |
| 70° | | Source layout | | North arrow | | silos | | emission pt. | | load out DC | |
| R.H. % | | Source layout | | North arrow | | silos | | emission pt. | | load out DC | |
| 94% | | Source layout | | North arrow | | silos | | emission pt. | | load out DC | |
| Slant angle | | Source layout | | North arrow | | silos | | emission pt. | | load out DC | |
| Start 14° Stop same | | Source layout | | North arrow | | silos | | emission pt. | | load out DC | |
| Source layout | | Source layout | | North arrow | | silos | | emission pt. | | load out DC | |
| North arrow | | Source layout | | North arrow | | silos | | emission pt. | | load out DC | |
| silos | | Source layout | | North arrow | | silos | | emission pt. | | load out DC | |
| emission pt. | | Source layout | | North arrow | | silos | | emission pt. | | load out DC | |
| load out DC | | Source layout | | North arrow | | silos | | emission pt. | | load out DC | |
| Observers location | | Source layout | | North arrow | | silos | | emission pt. | | load out DC | |
| Retention Pond | | Source layout | | North arrow | | silos | | emission pt. | | load out DC | |
| Comments | | Source layout | | North arrow | | silos | | emission pt. | | load out DC | |
| Observed 3 truck batchings during test | | Source layout | | North arrow | | silos | | emission pt. | | load out DC | |
| Observer's name | | Source layout | | North arrow | | silos | | emission pt. | | load out DC | |
| Daniel R. Beatty | | Source layout | | North arrow | | silos | | emission pt. | | load out DC | |
| Observer's signature | | Source layout | | North arrow | | silos | | emission pt. | | load out DC | |
| [Signature] | | Source layout | | North arrow | | silos | | emission pt. | | load out DC | |
| Organization | | Source layout | | North arrow | | silos | | emission pt. | | load out DC | |
| Beatty Environmental Services | | Source layout | | North arrow | | silos | | emission pt. | | load out DC | |
| Verified by | | Source layout | | North arrow | | silos | | emission pt. | | load out DC | |
| Certified by | | Source layout | | North arrow | | silos | | emission pt. | | load out DC | |
| Eastern Technical Associates | | Source layout | | North arrow | | silos | | emission pt. | | load out DC | |
| Date | | Source layout | | North arrow | | silos | | emission pt. | | load out DC | |
| 8/99 | | Source layout | | North arrow | | silos | | emission pt. | | load out DC | |

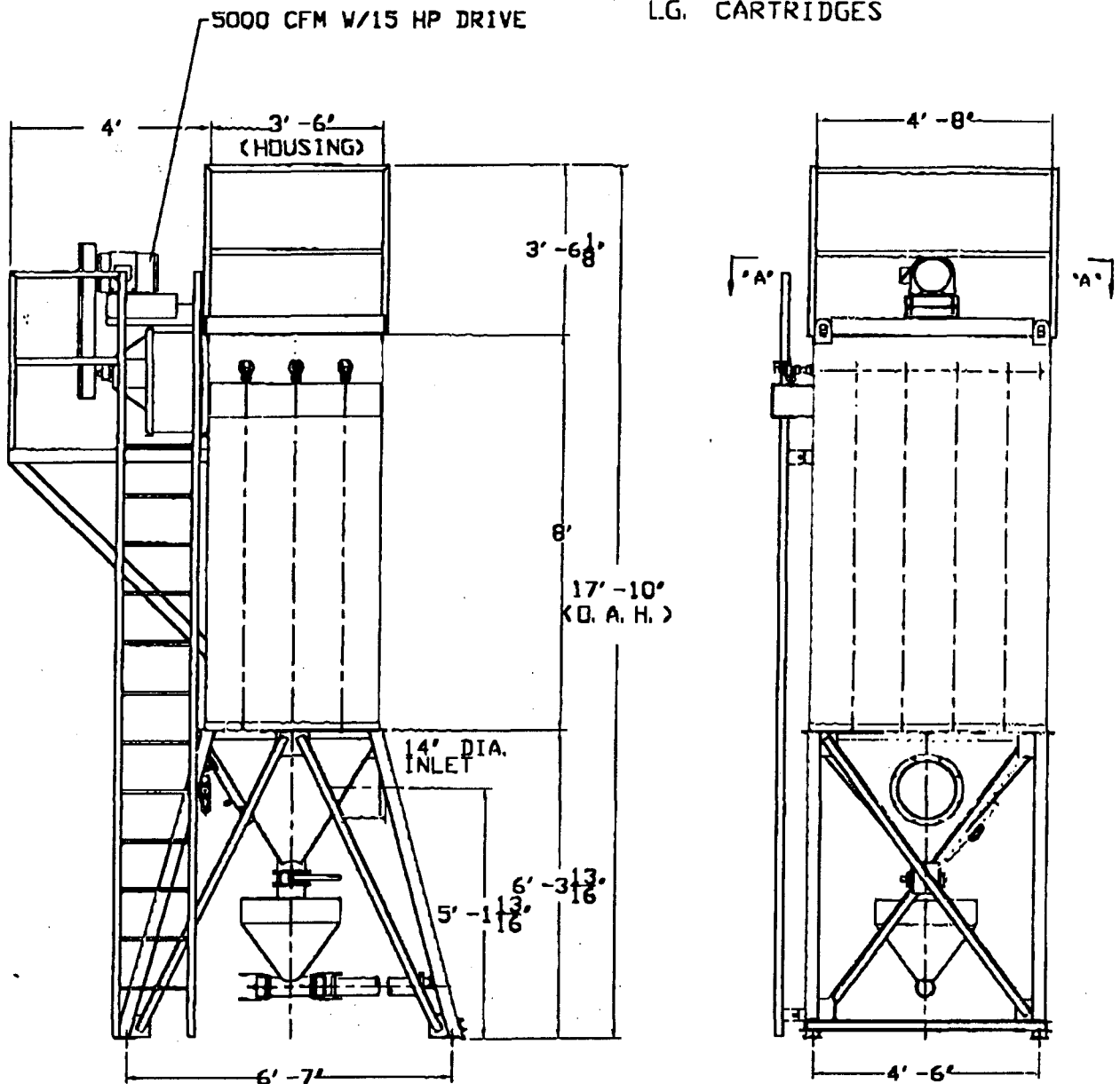
D.E.P.

SEP 07 1999

Southwest District Tampa



(12) 8" DIA. x 78" LG. CARTRIDGES



CP-900-1278 CARTRIDGE PULSE JET COLLECTOR

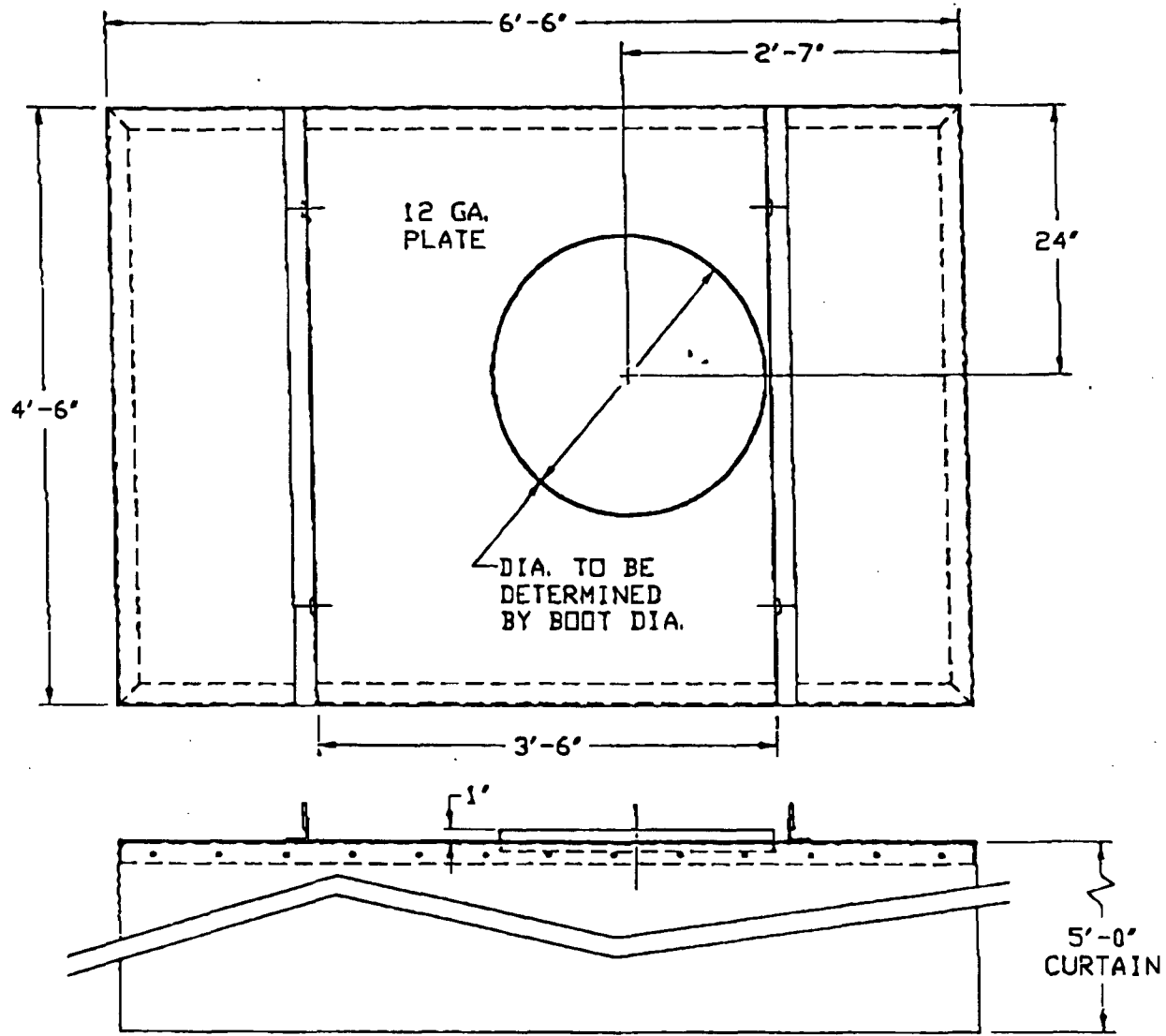


C & W MFG. & SALES CO.
7356 HWY. 1187
MANSFIELD, TX. 76063 (817) 572-3371

III

Specifications for CP Central Collectors

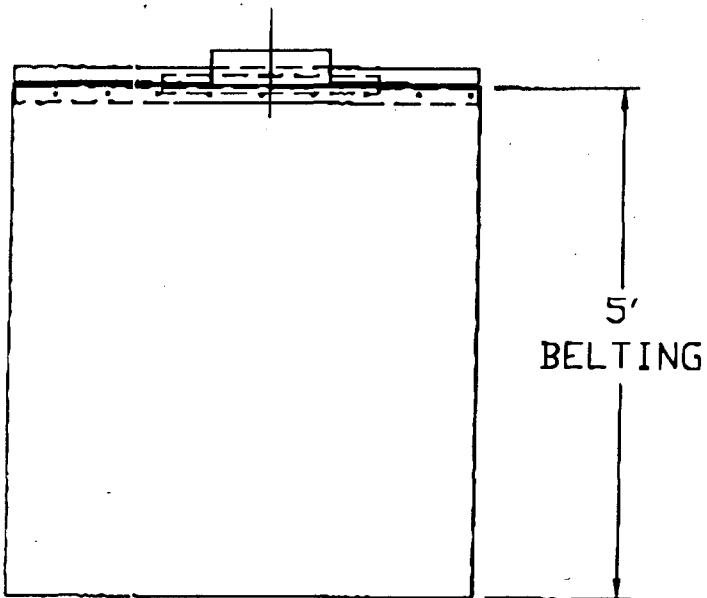
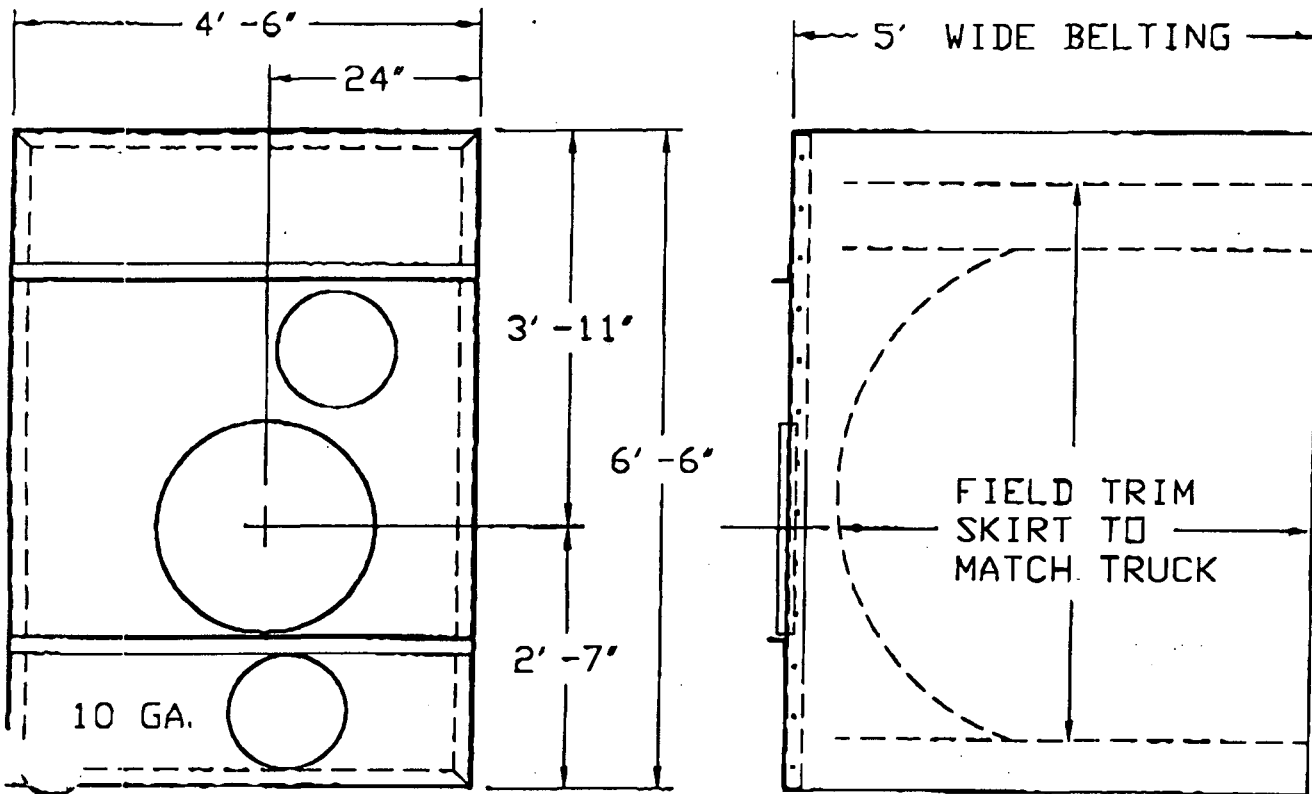
| Model Numbers: | CP-900-1278 | CP-1220-1678 | CP-1520-2078 | CP-2250-3078 | CP-3040-4078 |
|--|------------------------------------|------------------------------------|------------------------------------|------------------------------------|------------------------------------|
| Number of Cartridges | 12 | 16 | 20 | 30 | 40 |
| Cartridge Diameter & Length | 8"X 78" | 8"X 78" | 8"X 78" | 8"X 78" | 8"X 78" |
| Number of Solenoids | 3 | 4 | 5 | 6 | 8 |
| Total Filtration Area | 912 | 1216 | 1520 | 2280 | 3040 |
| Min. Design Efficiency | 99.99 % | 99.99 % | 99.99 % | 99.99 % | 99.99 % |
| Air to Cloth Ratio (ACFM/Ft.2) | 5.5 | 5.5 | 5.5 | 5.5 | 5.25 |
| Filtration Velocity (Ft./Min) | 5.5 | 5.5 | 5.5 | 5.5 | 5.25 |
| Blower Horsepower (optional) | 15 | 15 | 20 | 25 | 30 |
| Static Pressure Drop (WC) | 8" | 8" | 8" | 8" | 8" |
| Normal Air Capacity | 5,000 | 6,700 | 8,400 | 12,400 | 16,000 |
| Outlet Area FT. 2 | 1.31 | 2.29 | 2.85 | 4.19 | 5.17 |
| Outlet Velocity Ft./Sec. | 63.61 | 48.76 | 49.12 | 49.32 | 51.58 |
| Outlet Moisture Content (Ideally) | 0 | 0 | 0 | 0 | 0 |
| Cleaning Mechanism | Pulse Jet Nozzle W/Preset timer | Pulse Jet Nozzle W/Preset timer | Pulse Jet Nozzle W/Preset timer | Pulse Jet Nozzle W/Preset timer | Pulse Jet Nozzle W/Preset timer |
| • Inlet Dust Concentration (Gr/Min) | 75,000 | 100,500 | 126,000 | 186,000 | 240,000 |
| • Outlet Emissions (Gr/Min) | 7.5 | 10.5 | 12.6 | 18.6 | 24.0 |
| • Outlet Dust Loading (Gr/Cf) | 0.0015 | 0.0015 | 0.0015 | 0.0015 | 0.0015 |
| <p>• <i>These Calculations Based on Inlet Loading of 15 Gr. / Ft. 3</i> <i>Your State Environmental Dept. may request additional information. If so contact C&W Engineering</i></p> | | | | | |



STATIONARY SHROUD



C & W MFG. & SALES CO.
7356 HWY. 1187
MANSFIELD, TX. 76063 (817) 572-3371



STANDARD SHROUD DETAIL



C & W MFG. & SALES CO.
 P. O. BOX 908
 CROWLEY, TX. 76063 (817) 783-5000

II

Silo Collector Sizing

| Number of Fill Lines | Fill Line Size | Material to Collected | Maximum CFM from Blower | Collector Size | |
|--|----------------|-----------------------|-------------------------|----------------|-----------|
| | | | | Cartridge | Pulse Jet |
| 40 HP Blower 450 CFM @ 15 PSI | | | | | |
| 1 | 4" or 5" | Cement /Fly Ash | 853 | CP-230 | KR-190 |
| 1 | 4" or 5" | Cement /Fly Ash | 853 | CP-300/310 | KR-240 |
| 2 | 4" or 5" | Cement /Fly Ash | 1706 | CP-300/310 | KR-285 |
| 3 | 4" or 5" | Cement /Fly Ash | 2559 | CP-450 | KR-440 |
| 4 | 4" or 5" | Cement /Fly Ash | 3412 | CP-610 | KR-570 |
| 5 | 4" or 5" | Cement /Fly Ash | 4265 | CP-760 | KR-710 |
| 6 | 4" or 5" | Cement /Fly Ash | 5118 | CP-900 | KR-790 |
| 60 HP Blower 600 CFM @ 15 PSI | | | | | |
| 1 | 5" | Cement /Fly Ash | 1253 | CP-300/310 | KR-240 |
| 2 | 5" | Cement /Fly Ash | 2506 | CP-450 | KR-440 |
| 3 | 5" | Cement /Fly Ash | 3759 | CP-760 | KR-630 |
| 4 | 5" | Cement /Fly Ash | 5012 | CP-900 | KR-790 |
| 5 | 5" | Cement /Fly Ash | 6265 | CP-1220 | KR-1100 |
| 6 | 5" | Cement /Fly Ash | 7518 | CP-1500 | KR-1250 |
| 75 HP Blower 800 CFM @ 15 PSI | | | | | |
| 1 | 5" | Cement /Fly Ash | 1616 | CP-450 | KR-285 |
| 2 | 5" | Cement /Fly Ash | 3232 | CP-610 | KR-570 |
| 3 | 5" | Cement /Fly Ash | 4848 | CP-900 | KR-790 |
| 4 | 5" | Cement /Fly Ash | 6464 | CP-1220 | KR-1100 |
| 5 | 5" | Cement /Fly Ash | 8080 | CP-1500 | KR-1400 |
| 6 | 5" | Cement /Fly Ash | 9696 | CP-2000 | KR-1500 |

II
Specifications for CP Silo Collectors
(Cont.)
at 6" Static Pressure

| Model Numbers: | CP-760-1078 | CP-900-1278 | CP-1220-1678 | CP-1520-2078 | CP-2250-3078 |
|--|------------------------------------|------------------------------------|------------------------------------|------------------------------------|------------------------------------|
| Number of Cartridges | 10 | 12 | 16 | 20 | 30 |
| Cartridge Diameter & Length | 8"X 78" | 8"X 78" | 8"X 78" | 8"X 78" | 8"X 78" |
| Number of Solenoids | 2 | 3 | 4 | 5 | 6 |
| Total Filtration Area | 760 | 912 | 1216 | 1520 | 2280 |
| Min. Design Efficiency | 99.99 % | 99.99 % | 99.99 % | 99.99 % | 99.99 % |
| Air to Cloth Ratio (ACFM/Ft.2) | 5.3 | 5.5 | 5.5 | 5.5 | 5.5 |
| Filtration Velocity (Ft./Min) | 5.3 | 5.5 | 5.5 | 5.5 | 5.5 |
| Blower Horsepower (optional) | 7.5 | 10 | 15 | 20 | 25 |
| Static Pressure Drop (WC) | 6" | 6" | 6" | 6" | 6" |
| Normal Air Capacity | 4,000 | 5,000 | 6,700 | 8,400 | 12,400 |
| Outlet Area FT. 2 | 1.09 | 1.31 | 2.29 | 2.85 | 4.19 |
| Outlet Velocity Ft./Sec. | 61.16 | 63.61 | 48.76 | 49.12 | 49.32 |
| Outlet Moisture Content (Ideally) | 0 | 0 | 0 | 0 | 0 |
| Cleaning Mechanism | Pulse Jet Nozzle W/Preset timer | Pulse Jet Nozzle W/Preset timer | Pulse Jet Nozzle W/Preset timer | Pulse Jet Nozzle W/Preset timer | Pulse Jet Nozzle W/Preset timer |
| • Inlet Dust Concentration (Gr/Min) | 60,000 | 75,000 | 100,500 | 126,000 | 186,000 |
| • Outlet Emissions (Gr/Min) | 6.0 | 7.5 | 10.05 | 12.6 | 18.6 |
| • Outlet Dust Loading (Gr/Cf) | 0.0015 | 0.0015 | 0.0015 | 0.0015 | 0.0015 |
| <p>• <i>These Calculations Based on Inlet Loading of 15 Gr. / Ft. 3</i> <i>Your State Environmental Dept. may request additional information. If so contact C&W Engineering</i></p> | | | | | |

II Specifications for CP Silo Collectors at 6" Static Pressure

| Model Numbers: | CP-230-639 | CP-300-839 | CP-310-478 | CP-380-1039 | CP-450-678 | CP-610-878 |
|---|----------------------|----------------------|----------------------|----------------------|----------------------|----------------------|
| Number of Cartridges | 6 | 8 | 4 | 10 | 6 | 8 |
| Cartridge Diameter & Length | 8"X 39" | 8"X 39" | 8"X 78" | 8"X 39" | 8"X 78" | 8"X 78" |
| Number of Solenoids | 2 | 2 | 2 | 2 | 2 | 2 |
| Total Filtration Area | 228 | 304 | 304 | 380 | 456 | 608 |
| Min. Design Efficiency | 99.99 % | 99.99 % | 99.99 % | 99.99% | 99.99 % | 99.99 % |
| Air to Cloth Ratio (ACFM/Ft.2 | 3.5 | 5.3 | 5.3 | 5.3 | 5.5 | 4.9 |
| Filtration Velocity (Ft./Min) | 3.5 | 5.3 | 2.6 | 5.3 | 5.5 | 4.9 |
| Blower Horsepower (optional) | 2 | 3 | 3 | 3 | 5 | 5 |
| Static Pressure Drop (WC) | 6" | 6" | 6" | 6" | 6" | 6" |
| Normal Air Capacity | 850 | 1600 | 1600 | 2000 | 2500 | 3000 |
| Outlet Area FT. 2 | 0.196 | 0.64 | 0.64 | 0.81 | 0.79 | 1.0 |
| Outlet Velocity Ft./Sec. | 68.03 | 41.67 | 41.67 | 41.15 | 52.74 | 50.00 |
| Outlet Moisture Content (Ideally) | 0 | 0 | 0 | 0 | 0 | 0 |
| Cleaning Mechanism | Pulse Jet w/timer | Pulse Jet w/timer | Pulse Jet w/timer | Pulse Jet w/timer | Pulse Jet w/timer | Pulse Jet w/timer |
| • Inlet Dust Concentration (Gr/Min) | 12,000 | 24,000 | 24,000 | 30,000 | 37,500 | 45,000 |
| • Outlet Emissions (Gr/Min) | 1.2 | 2.4 | 2.4 | 3.0 | 3.75 | 4.50 |
| • Outlet Dust Loading (Gr/Cf) | 0.0015 | 0.0015 | 0.0015 | 0.0015 | 0.0015 | 0.0015 |
| <p>• These Calculations Based on Inlet Loading of 15 Gr. / Ft. 3 Your State Environmental Dept. may request additional information. If so contact C&W Engineering</p> | | | | | | |

D.E.P.
SEP 07 1999
Southwest District Tampa

Specifications for CP-35-219

Dust Collector

Model Number: CP-35-219

Number of Cartridges: 2

Total Filtration Area: 36 Sq.Ft.

Min. Design Efficiency of Dust Collector: 99.99%

Blower H.P.: None

Static Pressure Drop (Inches of Water): 6"

Outlet Area: 0.32 Ft.2

Outlet Moisture Content: Ideally Zero

Cleaning Mechanism: Pulse Jet Nozzles W/ Per-Set Timer

Frequency of Cleaning: Adjustable Timer

Cartridge Specifications

Cartridge Is 8" Dia. X 19" Long - 63 Pleats

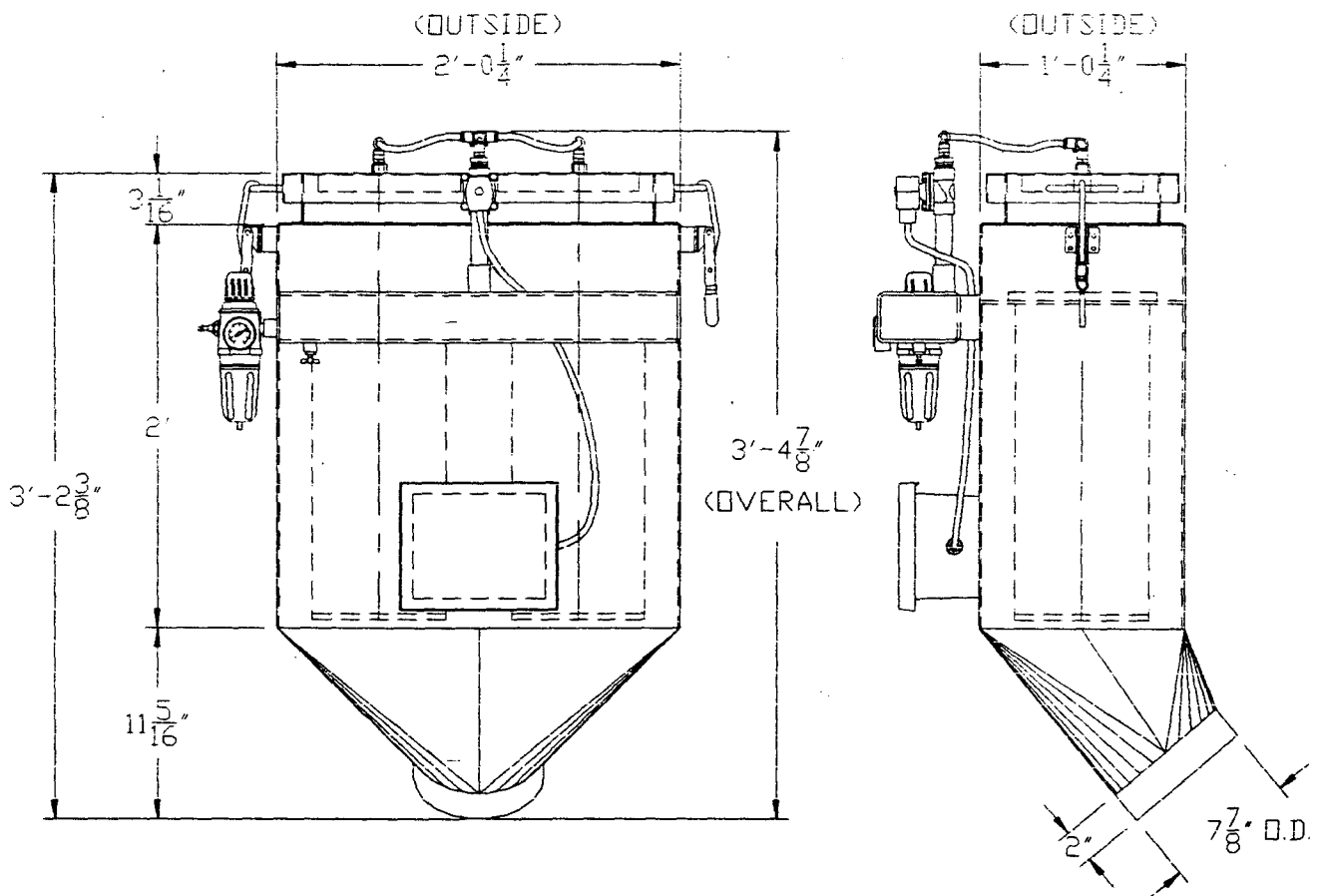
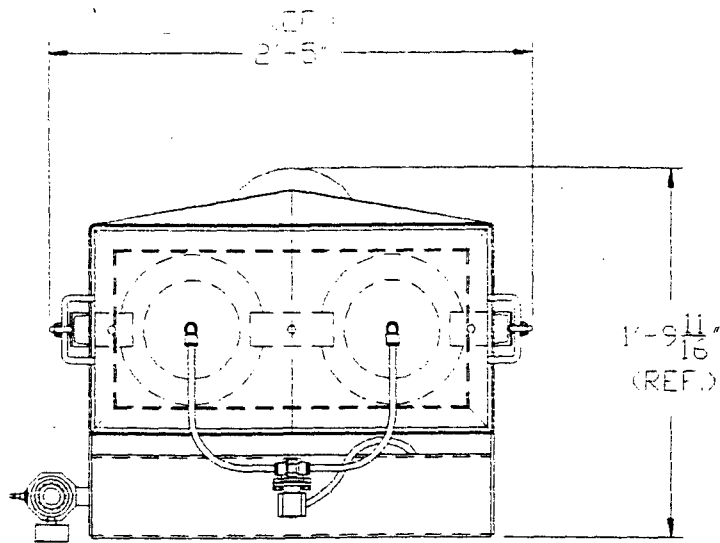
Fabric: 100% Polyester

Weight: Approximately 8.1 Oz.

Air Permeability: 28 CFM @ 1/2" Wg

Efficiency: 99.99% @ .2 - 2 Micron & Above

Heat: 275, 200 Degrees F. Std. Construction



CP-35-219 PULSE JET "BATCHER" COLLECTOR



C & W MFG. & SALES CO.
 7356 HWY. 1187
 MANSFIELD, TX. 76063 (817) 572-3371

CONCRETE BATCH PLANT CHECKLIST

FACILITY Rinker Materials
 AIRS # 1190031-002-AG
 COUNTY Sumter

| | YES | NO | NA | DATE |
|------------------------|-----|----|----|-------------|
| Notification | ✓ | | | 9-7-99 |
| Fee | ✓ | | | \$100 check |
| VE (existing facility) | ✓ | | | |
| VE entered in ARMS | ✓ | | | 5 VEs |
| Public Notice if NEW | | | ✓ | |
| Proof of Public Notice | | | ✓ | |
| Issue | | | | |
| Deny | | | | |

Surrendered Permit(s): 1190031-001-AG

Notes:

~~check on 10-8-99~~

Added a new emission control device

Additional baghouse mixer on truck load-out

AREA: SWD _____

Cash Receiving Application
Collection Point Log Remittance

CRAF006A

Tot: _____ \$100.00

-----+-----

SYSS\$REMT: 359415 Type: CP Recvd Date: 07-SEP-1999 Status: RECEIVED
 SYSS\$RCPT: 296669 PNR: _____ Check #: 20203064 Amount: _____ 100.00
 SSN/FEI#: _____ Name: CSR AMERICAN, INC. _____
 First: _____ Middle: _____ Title: _____ Suf: _____
 Address1: P_O_BOX_24725 Short Comments:
 Address2: _____ S-AIR_GP/1190031-002 _____
 City: WEST_PALM_BEACH ST: FL Zip: 34416-4725 Country: _____

-----+-----

> P A Y M E N T (S) <-----

| Distr | CL | Object | Payment | Reference# | Applic/ Fund | S T A CO |
|------------|--------|------------------------|-------------|------------|-----------------|-------------------|
| SYSS\$PAYT | Area.. | Code/Description..... | Amount..... | | | |
| 376092 | SWD | 002272 NON-TITLE_V_GEN | \$100.00 | 1190031-02 | ARM PFTF | CO |
| _____ | _____ | _____ | _____ | _____ | _____ | _____ |
| _____ | _____ | _____ | _____ | _____ | _____ | _____ |
| _____ | _____ | _____ | _____ | _____ | _____ | _____ |

-----+-----

COMMIT FREQUENTLY _____ \$100.00 Payment total

Press <TAB> to accept Collection Point or enter F&A. _____

Count: *1

<Replace>

FACSIMILE TRANSMISSION



AA
RECEIVED
JUL 19 1999

Department of Environmental Protection
BY _____
SOUTHWEST DISTRICT

July 12, 1999

Bill Proses, Compliance Supervisor - Air Resource Mgt.
Florida Department of Environmental Protection
Southwest District
3804 Coconut Palm Drive
Tampa, FL 33619

RE: Rescheduled visible emissions tests for the new CSR Rinker / Wildwood ready-mix concrete batching facility.

Dear Mr. Proses:

This letter is to serve as notification that the CSR Rinker intends to reschedule our annual visible emissions (VE) tests for our newly completed Wildwood concrete facility, which is located at 4270 C. R. 124-A (Dairyman's Road), north of Wildwood, Florida. The tests are being performed in order to meet the requirements of general air operating permit no. 1190031-001-AG.

Originally, the tests were scheduled to begin at 8:00 a.m. on Tuesday, July 20th, 1999. Due to logistical difficulties, we now wish to conduct them at the same time of day on Tuesday, July 27th. If you have any questions concerning the schedule change, please contact our emissions reader, James Deppert at (407) 828-8989.

Sincerely,

A handwritten signature in black ink that reads "Jeffrey R. Porter".

Jeffrey R. Porter
CSR Rinker, Permit/Project Mgr.

from 7/20 to 7/27

cc: D. Turner
A. Bush
J. Deppert
M. LaFavers
File (Wildwood)

AIRVENOTIFYWILDWOODVE.DOC

AA
Dup

FACSIMILE TRANSMISSION



July 12, 1999

Bill Proses, Compliance Supervisor - Air Resource Mgt.
Florida Department of Environmental Protection
Southwest District
3804 Coconut Palm Drive
Tampa, FL 33619

RE: Rescheduled visible emissions tests for the new CSR Rinker / Wildwood ready-mix concrete batching facility.

Dear Mr. Proses:

This letter is to serve as notification that the CSR Rinker intends to reschedule our annual visible emissions (VE) tests for our newly completed Wildwood concrete facility, which is located at 4270 C. R. 124-A (Dairyman's Road), north of Wildwood, Florida. The tests are being performed in order to meet the requirements of general air operating permit no. 1190031-001-AG.

Originally, the tests were scheduled to begin at 8:00 a.m. on Tuesday, July 20th, 1999. Due to logistical difficulties, we now wish to conduct them at the same time of day on Tuesday, July 27th. If you have any questions concerning the schedule change, please contact our emissions reader, James Deppert at (407) 828-8989.

Sincerely,

A handwritten signature in black ink that reads "Jeff R. Porter".

from 7/20 to → 7/27

Jeffrey R. Porter
CSR Rinker, Permit/Project Mgr.

cc: D. Turner
A. Bush
J. Deppert
M. LaFavers
File (Wildwood)

AIRIVENOTIFYWILDWOODVE.DOC

CSR America, Inc., 1501 Belvedere Road, West Palm Beach, FL 33406, P.O. Box 24635, West Palm Beach, FL 33416
Telephone (561) 833-5555



Facsimile: 561-820-8388

Date: July 13, 1999

To: FDEP Southwest District - Bill Proses

From: Engineering and Environmental Services

Scott Benyon
561-820-8344

Don Turner
561-820-8348

Don Beers
561-820-8346

Jeff Porter
561-820-8415

Darius Debski
561-820-8367

Janet Bennett
561-820-8345


Michele Martin
561-820-8368

Re: Visible emissions testing schedule change for the CSR Rinker / Wildwood facility.

Number of Pages (Including cover sheet): 2

Comments:

The original notification letter will be mailed to your office today.



FACSIMILE TRANSMISSION



AA
DWP

D.E.P.
JUL 08 1999
Southwest District Tampa

July 2, 1999

Bill Proses, Compliance Supervisor - Air Resource Mgt.
Florida Department of Environmental Protection
Southwest District
3804 Coconut Palm Drive
Tampa, FL 33619

RE: Visible emissions tests for the new CSR Rinker / Wildwood ready-mix concrete batching facility.

Dear Mr. Proses:

This letter is to serve as notification that the CSR Rinker intends to conduct visible emissions (VE) tests on our newly completed Wildwood concrete facility, which is located at 4270 C. R. 124-A (Dairyman's Road), north of Wildwood, Florida. The tests are being performed in order to meet the requirements of general air operating permit no. 1190031-001-AG.

Presently, the tests are scheduled to begin at 8:00 a.m. on **Tuesday, July 20th**, 1999. If you have any questions concerning the VE's, please contact our emissions reader, James Deppert at (407) 828-8989.

Sincerely,

A handwritten signature in black ink, appearing to read "Jeffrey R. Porter".

Jeffrey R. Porter
CSR Rinker, Permit/Project Mgr.

cc: D. Turner
A. Bush
J. Deppert
M. LaFavers
File (Wildwood)

AIRIVENOTIFYWILDWOODVE.DOC

AA

FACSIMILE TRANSMISSION



July 2, 1999

Bill Proses, Compliance Supervisor - Air Resource Mgt.
Florida Department of Environmental Protection
Southwest District
3804 Coconut Palm Drive
Tampa, FL 33619

RE: Visible emissions tests for the new CSR Rinker / Wildwood ready-mix concrete batching facility.

Dear Mr. Proses:

This letter is to serve as notification that the CSR Rinker intends to conduct visible emissions (VE) tests on our newly completed Wildwood concrete facility, which is located at 4270 C. R. 124-A (Dairyman's Road), north of Wildwood, Florida. The tests are being performed in order to meet the requirements of general air operating permit no. 1190031-001-AG.

Presently, the tests are scheduled to begin at 8:00 a.m. on **Tuesday, July 20th, 1999**. If you have any questions concerning the VE's, please contact our emissions reader, James Deppert at (407) 828-8989.

Sincerely,

A handwritten signature in black ink, appearing to read "Jeff R. Porter".

Jeffrey R. Porter
CSR Rinker, Permit/Project Mgr.

cc: D. Turner
A. Bush
J. Deppert
M. LaFavers
File (Wildwood)

AIRIVENOTIFYWILDWOODVE.DOC

CSR America, Inc., 1501 Belvedere Road, West Palm Beach, FL 33406, P.O. Box 24635, West Palm Beach, FL 33416
Telephone (561) 833-5555



Facsimile: 561-820-8388

Date: July 2, 1999

To: FDEP Southwest District - Air Compliance

From: Engineering and Environmental Department

Scott Benyon
561-820-8344

Don Turner
561-820-8348

Don Beers
561-820-8346

Jeff Porter
561-820-8415

Darlus Debski
561-820-8367

Janet Bennett
561-820-8345

Michele Martin
561-820-8368

Re: Initial VE test notification for the new CSR Rinker / Wildwood concrete facility.

Number of Pages (including cover sheet): 2

Comments:

A hard copy of the attached notification letter will be mailed to your office today. If there are any
questions, please contact me at the number indicated above. Thank you.

FAX

Date: Monday, August 23, 1999

Time: 8:40:00 AM

2 Pages

To: Bill Proses
FDEP

From: Dan Beatty
Beatty Environmental Services

Fax: (813) 744-6084
Voice: +1 (813) 7446100

Fax: 9414582894
Voice: 9414582894

Comments:

VE test schedule for Rinker in Wildwood

AA

Beatty Environmental Services

315 SE 20th Place
Cape Coral, FL 33990

Phone: (941)458-2894
Fax: same

August 23, 1999

Bill Proses
FDEP
3804 Coconut Palm Dr.
Tampa, FL 33619

Dear Mr. Proses,

Greetings! I would like to schedule the following site for VE tests:

Company: CSR Rinker, Wildwood Batch Plant
Address: 4270 CR 124A, Wildwood, Sumter County
ID#: 1190031
Date: September 1, 1999
Time: 8:00am
Site Contact: Maurice LaFavers, (352)330-3600

Please let me know if there are any problems with this schedule. Thanks.

Sincerely,

Dan

Daniel R. Beatty