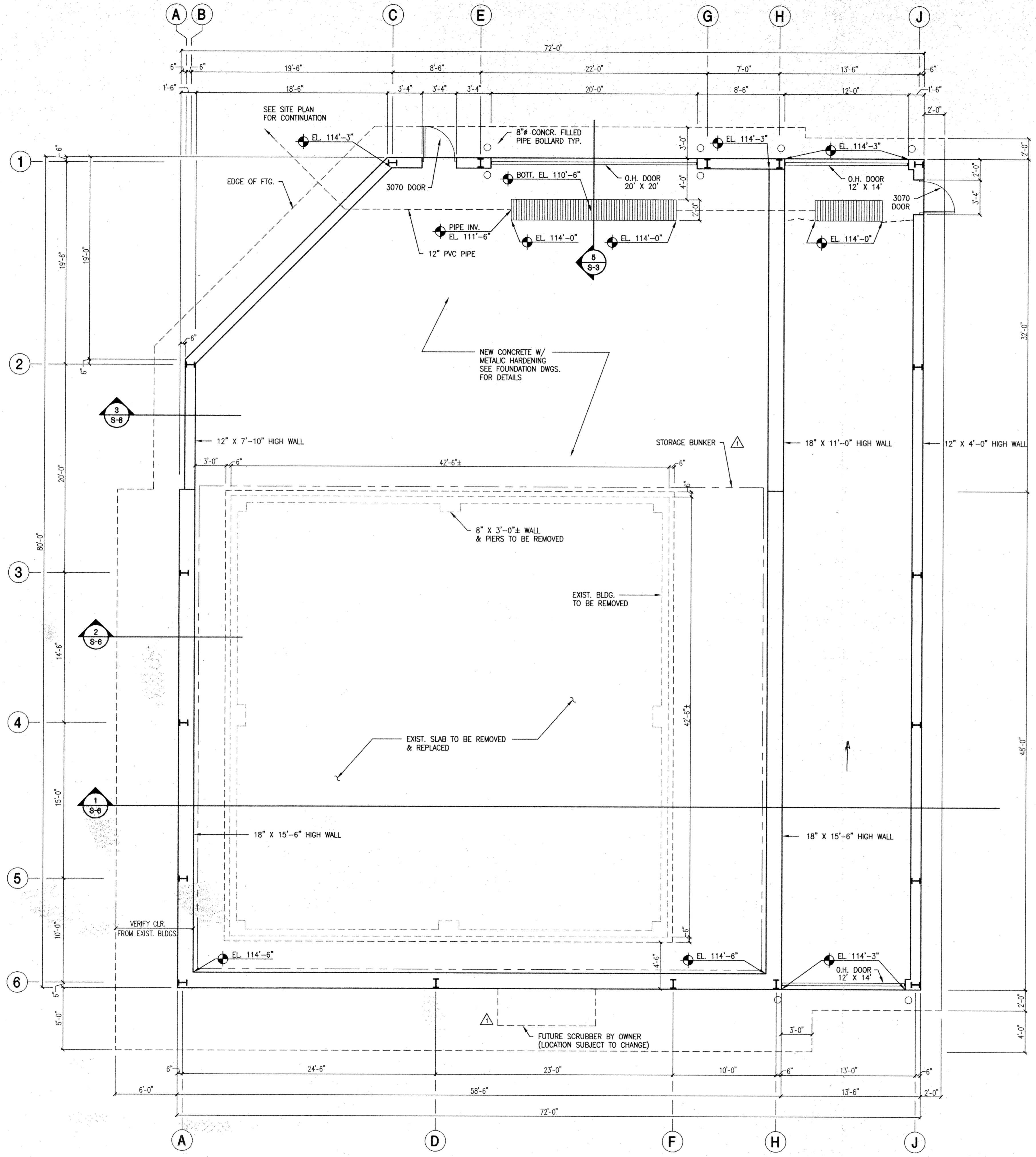


S-1.dwg 3-15-00 4:46:07 pm EST



FLOOR PLAN
SCALE: 3/16" = 1'-0"

NO.	REVISIONS	BY
1	PER D.E.P. 3/15/00	TE
2		
3		
4		

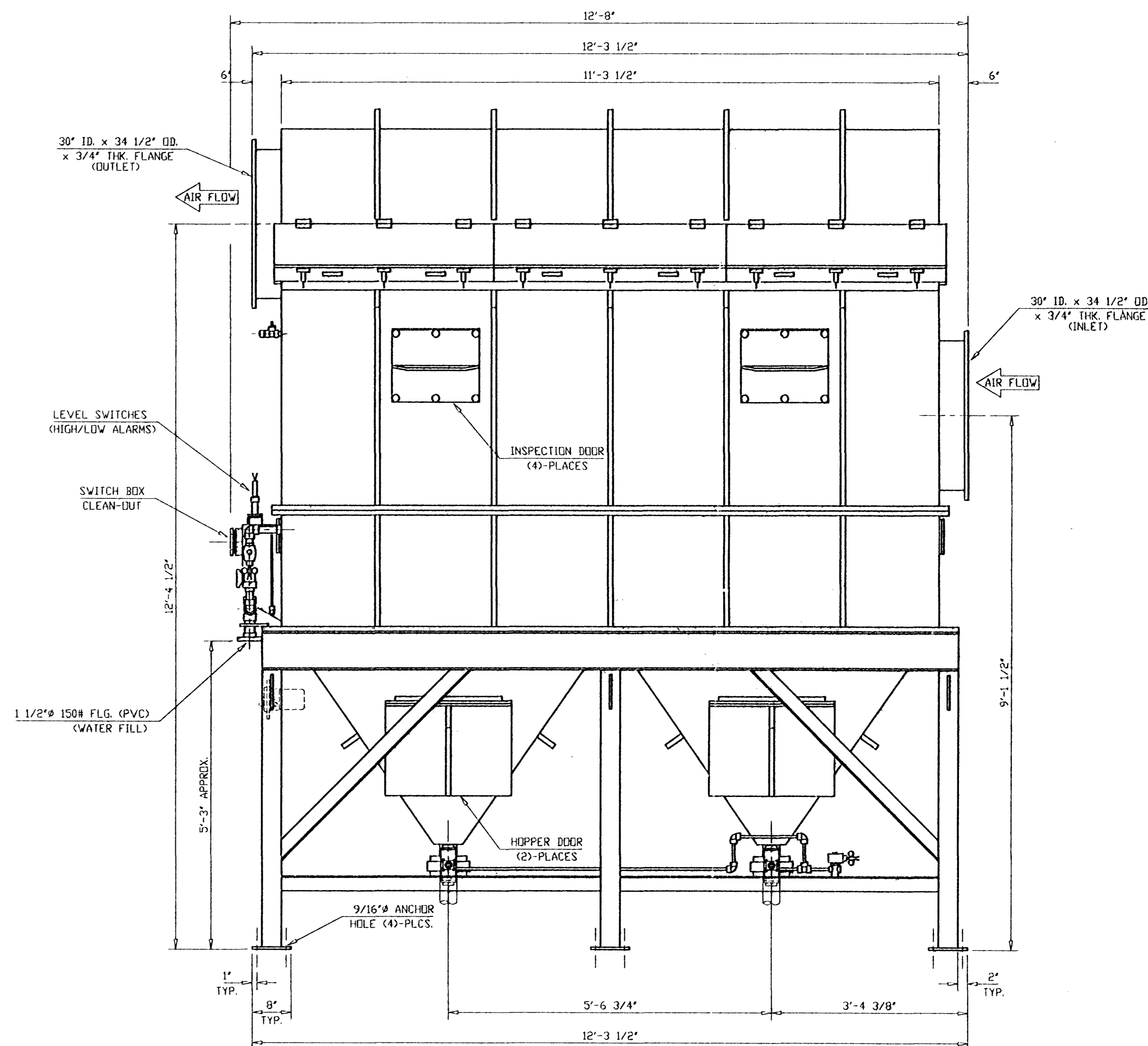
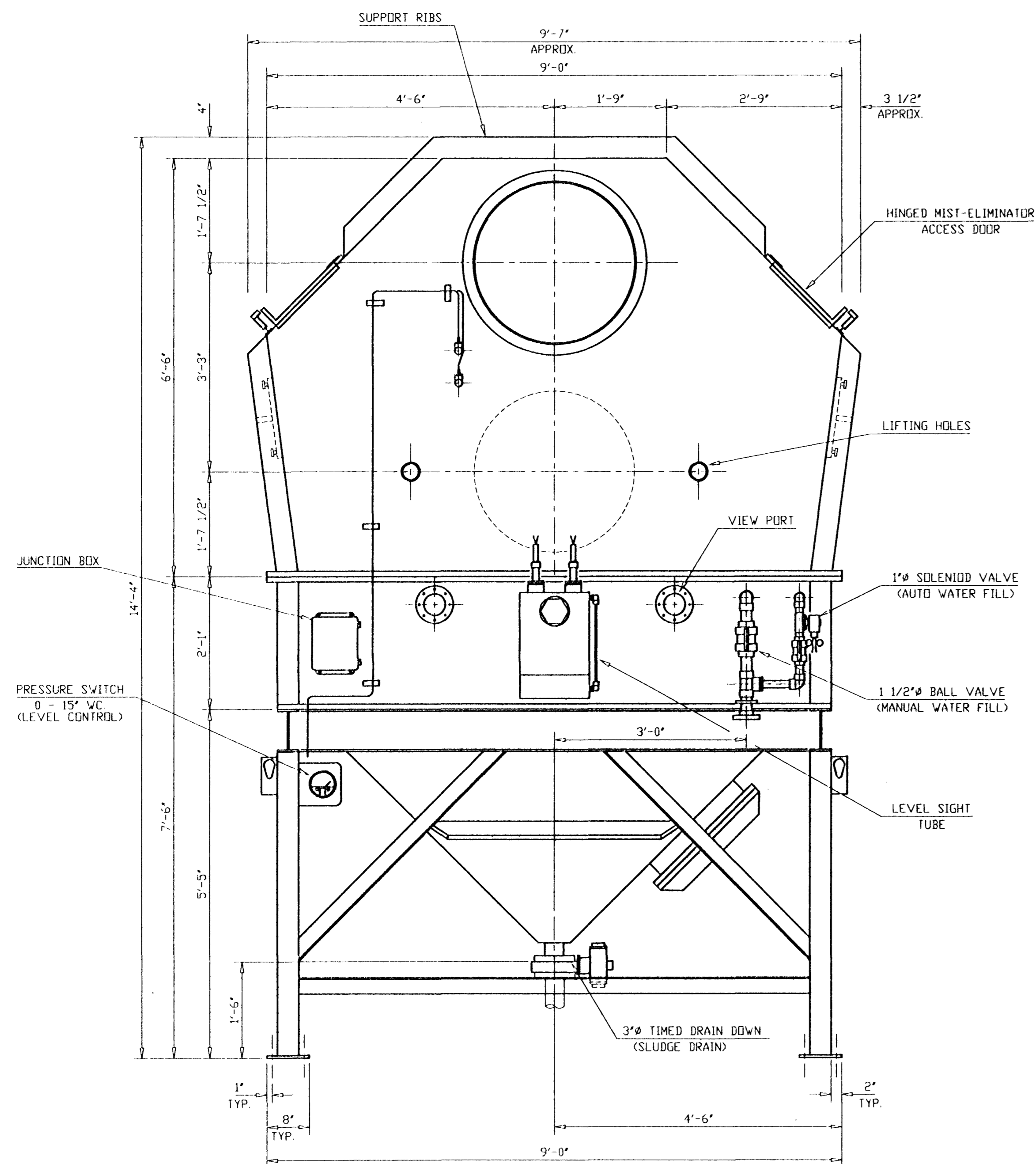
PROJECT
NEW ASH BUILDING
WHEELABRATOR RIDGE ENERGY, INC.
3131 K-VILLE AVENUE
AUBURNDALE, FLORIDA 33823

TONDELLI ENGINEERING, P.A.
 CIVIL, MECHANICAL, STRUCTURAL AND BUILDING DESIGN
 3606 West Swann Avenue
 Tampa, Florida 33609 813-875-2929
 Fax 813-874-3001 Email: Tondelli.Eng@cwix.com

NAME	
DATE	2-22-00
CHECKED	
FLOOR PLAN	
JOB NO.	TE-1919
SHEET	S-1.DWG SF-64 24X36
S-1	
OF	SHEETS



This drawing and its contents are the property of Tondelli Engineering, P.A. unrestricted use or reproduction in full or portion is strictly prohibited unless authorized by Tondelli Engineering, P.A.



MODEL 200-H WHIRL WET

20,000 ACFM @ 12" S.P.
 UV STABILIZED BLACK POLYPROPYLENE
 TOTAL DRY WEIGHT: 5,063 LBS
 TOTAL OPERATIONAL WEIGHT: 19,975 LBS

RECEIVED APR 24 2000

FOR CONSTRUCTION

TRI-MER CORP. JOB NUMBERS
 18170-001: MAIN JOB NUMBER
 18170-101: 200-H WHIRL WET
 18170-102: "NYB" FE 36 FAN
 18170-103: ELECTRICAL

THESE DRAWINGS AND SPECIFICATIONS ARE THE PROPERTY OF TRI-MER CORP. AND SHALL NOT BE USED OR COPIED WITHOUT PERMISSION.			
TRI-MER CORP. AIR POLLUTION CONTROL EQUIPMENT P.O. BOX 730 OWOSSO MI 48867 (517) 723-7858		CUSTOMER WHEELABRATOR RIDGE ENERGY	DWG. TITLE ASSEMBLY: 200-H PLASTIC - WHIRL WET
DWN. BY N. JOHNSTON	SCALE 3/4"=12"	MODEL NO. 200-H	SHRT. NO. 1 OF 5
APVD. BY D.S.	DATE 3/9/00	DWG. LIST SCR-1	DWG. NO. D 19170-01