

P 408 533 666  
 RECEIPT FOR CERTIFIED MAIL

NO INSURANCE COVERAGE PROVIDED—  
 NOT FOR INTERNATIONAL MAIL

(See Reverse)

Sent to Mr. R. P. Brunck	
Street and No.	
P.O., State and ZIP Code	
Postage	\$
Certified Fee	
Special Delivery Fee	
Restricted Delivery Fee	
Return Receipt Showing to whom and Date Delivered	
Return Receipt Showing to whom, Date, and Address of Delivery	
TOTAL Postage and Fees	\$

PS Form 3800, Feb. 1982

Postmark or Date  
 1/30/86

PS Form 3811, July 1983

**SENDER: Complete items 1, 2, 3 and 4.**  
 Put your address in the "RETURN TO" space on the reverse side. Failure to do this will prevent this card from being returned to you. The return receipt fee will provide you the name of the person delivered to and the date of delivery. For additional fees the following services are available. Consult postmaster for fees and check box(es) for service(s) requested.

1.  Show to whom, date and address of delivery.  
 2.  Restricted Delivery.

3. Article Addressed to:  
 Mr. R. P. Brunck  
 Central Florida Pipeline Corp.  
 120 S. Riverside Plaza  
 Chicago, Illinois 60606

4. Type of Service:	Article Number
<input type="checkbox"/> Registered <input type="checkbox"/> Insured <input checked="" type="checkbox"/> Certified <input type="checkbox"/> COD <input type="checkbox"/> Express Mail	P 408 533 666

Always obtain signature of addressee or agent and **DATE DELIVERED.**

5. Signature - Addressee  
 X

6. Signature - Agent  
 X *J. H. Welch*

7. Date of Delivery **FEB 4 1986**

8. Addressee's Address (ONLY if requested and fee paid)

DOMESTIC RETURN RECEIPT

STATE OF FLORIDA  
DEPARTMENT OF ENVIRONMENTAL REGULATION

TWIN TOWERS OFFICE BUILDING  
2600 BLAIR STONE ROAD  
TALLAHASSEE, FLORIDA 32301-8241



BOB GRAHAM  
GOVERNOR

VICTORIA J. TSCHINKEL  
SECRETARY

STATE OF FLORIDA  
DEPARTMENT OF ENVIRONMENTAL REGULATION  
NOTICE OF PERMIT

Mr. R. P. Brunck, Manager  
Central Florida Pipeline Corp.  
120 S. Riverside Plaza  
Chicago, Illinois 60606

January 30, 1986

Enclosed is Permit Number AC 48-109641 to modify an existing petroleum product storage tank (10,000) Bbl) at your existing facility in Taft, Orange County, Florida.

Any Party to this permit has the right to seek judicial review of the permit pursuant to Section 120.68, Florida Statutes, by the filing of a Notice of Appeal pursuant to Rule 9.110, Florida Rules of Appellate Procedure, with the clerk of the Department in the Office of General Counsel, 2600 Blair Stone Road, Tallahassee, Florida 32301; and by filing a copy of the Notice of Appeal accompanied by the applicable filing fees with the appropriate District Court of Appeal. The Notice of Appeal must be filed within 30 days from the date this permit is filed with the clerk of the Department.

Sincerely,

C. H. Fancy, P.E.  
Deputy Chief  
Bureau of Air Quality  
Management

CHF/ks

Enclosure

cc: Fred C. Engelman, P.E.  
Charles Collins

CERTIFICATION

This is to certify that the foregoing Notice of Permit and all copies requested were mailed before the close of business on 1/30/86, 1986.

*for* Ch. Thomas  
C. H. Fancy, P.E.  
Deputy Chief  
Bureau of Air Quality  
Management  
2600 Blair Stone Road  
Tallahassee, Florida 32301

FILING AND ACKNOWLEDGEMENT  
FILED, on this date, pursuant to  
§120.52(9), Florida Statutes, with  
the designated Department Clerk,  
receipt of which is hereby  
acknowledged.

Patricia G Adams  
Clerk

Jan. 30, 1986  
Date

Final Determination

Central Florida Pipeline Corporation  
Taft, Florida  
Orange County

Permit Number: AC 48-109641

Florida Department of Environmental Regulation  
Bureau of Air Quality Management  
Central Air Permitting

January 23, 1986

## Final Determination

Central Florida Pipeline Corporation's application for a permit to modify an existing product storage tank at their Taft, Florida, Orange County facility has been reviewed by the Central Air Permitting Staff under the Bureau of Air Quality Management.

Public Notice of the Department's Intent to Issue for this construction permit was published in The Orlando Sentinel on November 27, 1985.

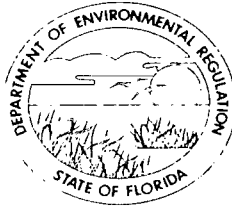
Final action of the department is based on review and comment of the interested public and affected interests. Copies of the Preliminary Determination have been available for public inspection at two locations: (1) FDER's Bureau of Air Quality Management in Tallahassee and (2) FDER's St. Johns River District office in Orlando.

No comments were received.

Attachment: Proof of Publication - Public Notice

STATE OF FLORIDA  
DEPARTMENT OF ENVIRONMENTAL REGULATION

TWIN TOWERS OFFICE BUILDING  
2600 BLAIR STONE ROAD  
TALLAHASSEE, FLORIDA 32301-8241



BOB GRAHAM  
GOVERNOR

VICTORIA J. TSCHINKEL  
SECRETARY

**PERMITTEE:**

Central Florida Pipeline Corp.  
120 South Riverside Plaza  
Chicago, Illinois 60606

Permit Number: AC 48-109641

Expiration Date: October 31, 1986

County: Orange

Latitude/Longitude: 28° 25' 19" N/  
81° 22' 01" W

Project: Tank No. 1055 (10,000 Bbl)  
Modified with Internal  
Floating Roof

This permit is issued under the provisions of Chapter 403, Florida Statutes, and Florida Administrative Code Rule(s) 17-2 and 17-4. The above named permittee is hereby authorized to perform the work or operate the facility shown on the application and approved drawing(s), plans, and other documents attached hereto or on file with the department and made a part hereof and specifically described as follows:

Modification of tank No. 1055, an existing 10,000 Bbl storage tank, is to be retrofitted with an internal floating roof with a single wiper. This source is located at the Central Florida Pipeline Corporation terminal located at 9999 south SR 527 near Taft, in Orange County. UTM coordinates of the source are 463.8 km East and 3143.8 km North.

Construction shall be in accordance with the attached permit application and additional information except as otherwise noted on pages 5 and 6, Specific Conditions.

**Attachments are as follows:**

1. Application to Construct Air Pollution Sources, DER Form 17-1.122(16).

PERMITTEE:  
Central Florida Pipeline Corp.

Permit Number: AC 48-109641  
Expiration Date: October 31, 1986

**GENERAL CONDITIONS:**

1. The terms, conditions, requirements, limitations, and restrictions set forth herein are "Permit Conditions" and as such are binding upon the permittee and enforceable pursuant to the authority of Sections 403.161, 403.727, or 403.859 through 403.861, Florida Statutes. The permittee is hereby placed on notice that the department will review this permit periodically and may initiate enforcement action for any violation of the "Permit Conditions" by the permittee, its agents, employees, servants or representatives.

2. This permit is valid only for the specific processes and operations applied for and indicated in the approved drawings or exhibits. Any unauthorized deviation from the approved drawings, exhibits, specifications, or conditions of this permit may constitute grounds for revocation and enforcement action by the department.

3. As provided in Subsections 403.087(6) and 403.722(5), Florida Statutes, the issuance of this permit does not convey any vested rights or any exclusive privileges. Nor does it authorize any injury to public or private property or any invasion of personal rights, nor any infringement of federal, state or local laws or regulations. This permit does not constitute a waiver of or approval of any other department permit that may be required for other aspects of the total project which are not addressed in the permit.

4. This permit conveys no title to land or water, does not constitute state recognition or acknowledgement of title, and does not constitute authority for the use of submerged lands unless herein provided and the necessary title or leasehold interests have been obtained from the state. Only the Trustees of the Internal Improvement Trust Fund may express state opinion as to title.

5. This permit does not relieve the permittee from liability for harm or injury to human health or welfare, animal, plant or aquatic life or property and penalties therefore caused by the construction or operation of this permitted source, nor does it allow the permittee to cause pollution in contravention of Florida Statutes and department rules, unless specifically authorized by an order from the department.

PERMITTEE:  
Central Florida Pipeline Corp.

Permit Number: AC 48-109641  
Expiration Date: October 31, 1986

**GENERAL CONDITIONS:**

6. The permittee shall at all times properly operate and maintain the facility and systems of treatment and control (and related appurtenances) that are installed or used by the permittee to achieve compliance with the conditions of this permit, as required by department rules. This provision includes the operation of backup or auxiliary facilities or similar systems when necessary to achieve compliance with the conditions of the permit and when required by department rules.

7. The permittee, by accepting this permit, specifically agrees to allow authorized department personnel, upon presentation of credentials or other documents as may be required by law, access to the premises, at reasonable times, where the permitted activity is located or conducted for the purpose of:

- a. Having access to and copying any records that must be kept under the conditions of the permit;
- b. Inspecting the facility, equipment, practices, or operations regulated or required under this permit; and
- c. Sampling or monitoring any substances or parameters at any location reasonably necessary to assure compliance with this permit or department rules.

Reasonable time may depend on the nature of the concern being investigated.

8. If, for any reason, the permittee does not comply with or will be unable to comply with any condition or limitation specified in this permit, the permittee shall immediately notify and provide the department with the following information:

- a. a description of and cause of non-compliance; and
- b. the period of noncompliance, including exact dates and times; or, if not corrected, the anticipated time the noncompliance is expected to continue, and steps being taken to reduce, eliminate, and prevent recurrence of the noncompliance.



PERMITTEE:  
Central Florida Pipeline Corp.

Permit Number: AC 48-109641  
Expiration Date: October 31, 1986

**GENERAL CONDITIONS:**

The permittee shall be responsible for any and all damages which may result and may be subject to enforcement action by the department for penalties or revocation of this permit.

9. In accepting this permit, the permittee understands and agrees that all records, notes, monitoring data and other information relating to the construction or operation of this permitted source, which are submitted to the department, may be used by the department as evidence in any enforcement case arising under the Florida Statutes or department rules, except where such use is proscribed by Sections 403.73 and 403.111, Florida Statutes.

10. The permittee agrees to comply with changes in department rules and Florida Statutes after a reasonable time for compliance, provided however, the permittee does not waive any other rights granted by Florida Statutes or department rules.

11. This permit is transferable only upon department approval in accordance with Florida Administrative Code Rules 17-4.12 and 17-30.30, as applicable. The permittee shall be liable for any non-compliance of the permitted activity until the transfer is approved by the department.

12. This permit is required to be kept at the work site of the permitted activity during the entire period of construction or operation.

13. This permit also constitutes:

- ( ) Determination of Best Available Control Technology (BACT)
- ( ) Determination of Prevention of Significant Deterioration (PSD).
- (x) Compliance with New Source Performance Standards.

14. The permittee shall comply with the following monitoring and record keeping requirements:

- a. Upon request, the permittee shall furnish all records and plans required under department rules. The retention period for all records will be extended automatically, unless otherwise stipulated by the department, during the course of any unresolved enforcement action.

**PERMITTEE:**  
Central Florida Pipeline Corp.

**Permit Number:** AC 48-109641  
**Expiration Date:** October 31, 1986

**GENERAL CONDITIONS:**

b. The permittee shall retain at the facility or other location designated by this permit records of all monitoring information (including all calibration and maintenance records and all original strip chart recordings for continuous monitoring instrumentation), copies of all reports required by this permit, and records of all data used to complete the application for this permit. The time period of retention shall be at least three years from the date of the sample, measurement, report or application unless otherwise specified by department rule.

c. Records of monitoring information shall include:

- the date, exact place, and time of sampling or measurements;
- the person responsible for performing the sampling or measurements;
- the date(s) analyses were performed;
- the person responsible for performing the analyses;
- the analytical techniques or methods used; and
- the results of such analyses.

15. When requested by the department, the permittee shall within a reasonable time furnish any information required by law which is needed to determine compliance with the permit. If the permittee becomes aware that relevant facts were not submitted or were incorrect in the permit application or in any report to the department, such facts or information shall be submitted or corrected promptly.

**SPECIFIC CONDITIONS:**

1. Operation is continuous (8,760 hours annually).

2. This project shall comply with the requirements of 40 CFR Subpart Ka - Standards of Performance for storage vessels for petroleum liquids constructed after May 18, 1978.

3. Annual throughput of tank No. 1055 shall not exceed 400,000 Bbl of gasoline.

4. Reasonable precautions to prevent fugitive dust emission during construction, such as coating or spraying roads and the construction area, shall be taken by the permittee.

PERMITTEE:  
Central Florida Pipeline Corp.

Permit Number: AC 48-109641  
Expiration Date: October 31, 1986

**SPECIFIC CONDITIONS:**

5. No deviation from the project as set forth in the application is allowed without the express knowledge and approval of the Department's St. Johns River District office.

6. The construction shall reasonably conform to the schedule submitted in the application. If the permittee is unable to complete construction on schedule, he must notify the department in writing 60 days prior to the expiration of this construction permit and submit a new schedule and request for an extension of the construction permit (Rule 17-4.09, FAC).

7. To obtain a permit to operate, the permittee must demonstrate compliance with the conditions of the construction permit and submit a complete application for an operating permit, including the application fee, and Certificate of Completion. These shall be submitted to the Department's District office 90 days prior to the expiration date of this construction permit. The permittee may continue to operate in compliance with all terms of the construction permit until its expiration date. Operation beyond the construction permit expiration date requires a valid permit to operate (Rules 17-4.22 and 17-4.23, FAC).

8. If the construction permit expires prior to the permittee requesting an extension or obtaining a permit to operate, then all activities at the project must cease and the permittee must apply for a new permit to construct which can take up to 90 days to process (Rule 17-4.10, FAC).

Issued this 27 day of January,  
1986.

STATE OF FLORIDA DEPARTMENT  
OF ENVIRONMENTAL REGULATION

  
VICTORIA J. TSCHINKEL, Secretary

\_\_\_\_\_ pages attached.

State of Florida  
DEPARTMENT OF ENVIRONMENTAL REGULATION



# Interoffice Memorandum

FOR ROUTING TO OTHER THAN THE ADDRESSEE

To: \_\_\_\_\_ LOCTN: \_\_\_\_\_  
To: \_\_\_\_\_ LOCTN: \_\_\_\_\_  
To: \_\_\_\_\_ LOCTN: \_\_\_\_\_  
From: \_\_\_\_\_ DATE: \_\_\_\_\_

TO: Victoria J. Tschinkel

FROM: Clair Fancy *Clair Fancy*

DATE: January 27, 1986

SUBJ: Approval of Attached Air Construction Permit

JAN 28 1986

BAQM

Attached for your approval and signature is one Air Construction Permit to Central Florida Pipeline Corporation to modify a gasoline storage tank at the applicant's existing facility in Taft, Orange County, Florida.

Day 90, after which the permit would be issued by default, is February 26, 1986.

The Bureau recommends your approval and signature.

CF/pa

Attachment

→ P 3/30

Check Sheet

Company Name: *Central Fla. Pipeline*  
Permit Number: *AC48109461*  
PSD Number:  
County: *Orange* *AD 48-116200*  
Permit Engineer:  
Others involved:

Application:

- Initial Application
- Incompleteness Letters
- Responses
- Final Application (if applicable)
- Waiver of Department Action
- Department Response

Intent:

- Intent to Issue
- Notice to Public
- Technical Evaluation
- BACT Determination
- Unsigned Permit

Attachments:

- 
- 
- 
- Correspondence with:
  - EPA
  - Park Services
  - County
  - Other
- Proof of Publication
- Petitions - (Related to extensions, hearings, etc.)

Final Determination:

- Final Determination
- Signed Permit
- BACT Determination

Post Permit Correspondence:

- Extensions
- Amendments/Modifications
- Response from EPA
- Response from County
- Response from Park Services



CENTRAL FLORIDA PIPELINE CORPORATION  
subsidiary of  
GATX TERMINALS CORPORATION

1904 Hemlock Avenue  
Tampa, FL 33605  
813-248-8361

*Willard, 3-23  
Where are  
handling this  
here? Can't  
find it Patter*

March 20, 1990

RECEIVED

MAR 23 1990

DER. BAR...

Mr. Clair H. Fancy, P. E.  
Chief  
Bureau of Air Regulation  
Florida Department of Environmental Regulation  
2600 Blair Stone Road  
Tallahassee, Florida 32399-2400

*3-26-90*

*PA,*

*I am not doing  
anything with this  
Tank now.*

*WMB*

Re: Central Florida Pipeline Corporation  
Orange County - AP  
Permit No. A048-116200 - Tank No. 1055  
*AC 48-109041*

Dear Mr. Fancy:

On December 14, 1989, Central Florida Pipeline Corporation (CFPL) requested modification to its Florida Department of Environmental Regulation (FDER) Permit No. A048-116200 to allow for future increased annual throughput for Tank No. 1055. CFPL is presently upgrading the Taft, Florida terminal and anticipates dismantling and removing Tank No. 1055 this year. As such, CFPL is hereby withdrawing its December 14, 1989 request to increase the throughput rate for this tank.

If you have any questions regarding this matter, please contact me at (813) 241-1125 or 248-2148.

Sincerely,

Elaine R. Macinski  
Environmental Engineer

ERM:mrr

cc: J. Turner, FDER Orlando

P 938 762 795

RECEIPT FOR CERTIFIED MAIL

NO INSURANCE COVERAGE PROVIDED  
NOT FOR INTERNATIONAL MAIL

(See Reverse)

PS Form 3800, June 1985

Sent to Elaine R. Macinski	
Street and No. 1904 Hemlock Avenue	
P.O., State and ZIP Code Tampa, FL 33605	
Postage	\$
Certified Fee	
Special Delivery Fee	
Restricted Delivery Fee	
Return Receipt showing to whom and Date Delivered	
Return Receipt showing to whom, Date, and Address of Delivery	
TOTAL Postage and Fees	\$
Postmark or Date Mailed 12/29/89 Dated 12/29/89 RÉ:GATX 12/14/89 ltr..	

SENDER: Complete items 1 and 2 when additional services are desired, and complete items 3 and 4.

Put your address in the "RETURN TO" Space on the reverse side. Failure to do this will prevent this card from being returned to you. The return receipt fee will provide you the name of the person delivered to and the date of delivery. For additional fees the following services are available. Consult postmaster for fees and check box(es) for additional service(s) requested.

- 1.  Show to whom delivered, date, and addressee's address. (Extra charge)
- 2.  Restricted Delivery (Extra charge)

3. Article Addressed to: Elaine R. Macinski 1904 Hemlock Avenue Tampa, Florida 33605		4. Article Number P 938 762 795	
		Type of Service: <input type="checkbox"/> Registered <input type="checkbox"/> Insured <input checked="" type="checkbox"/> Certified <input type="checkbox"/> COD <input type="checkbox"/> Express Mail <input type="checkbox"/> Return Receipt for Merchandise	
5. Signature - Address X		Always obtain signature of addressee or agent and DATE DELIVERED.	
6. Signature - Agent X <i>Sandy Wellburn</i>		8. Addressee's Address (ONLY if requested and fee paid)	
7. Date of Delivery <i>1/3/90</i>			



# Florida Department of Environmental Regulation

Twin Towers Office Bldg. • 2600 Blair Stone Road • Tallahassee, Florida 32399-2400

Bob Martinez, Governor

Dale Twachtman, Secretary

John Shearer, Assistant Secretary

December 29, 1989

CERTIFIED MAIL - RETURN RECEIPT REQUESTED

Elaine R. Macinski  
Central Florida Pipeline Corporation  
1904 Hemlock Avenue  
Tampa, Florida 33605

Dear Ms. Macinski:

Re: GATX December 14, 1989 letter requesting modification of  
Tank No. 1055.

The Department has reviewed your December 14, 1989, letter requesting the throughput and allowable emissions of gasoline storage tank No. 1055 be increased to 520,000 barrels/year and 3.1 tons VOC/year, respectively. Construction permit No. AC 48-109641 limited throughput and emissions for this tank to 400,000 barrels/year and 0.4 tons VOC/year. Your December 14 request is a modification by definition [F.A.C. Rule 17-2.100(126)] which requires a new permit to construct (F.A.C. Rule 17-2.210).

Please submit a new application for permit to construct tank No. 1055. Unless the floating roof tank is of welded construction, the factor for bolted decks in AP-42 should be used to estimate the emissions. We will consider any technical data you present that shows the seam loss emission is different. Also, the Department will need the net emissions increase in VOC emissions from the facility [F.A.C. Rule 17-2.500(2)(e)] to determine rule applicability.

If you have any questions on this decision, please write to me or call Willard Hanks at (904) 488-1344.

Sincerely,

C. H. Fancy, P.E.  
Chief  
Bureau of Air Regulation

CHF/WH/plm

Copy:  
John Turner, Central Dist.





CENTRAL FLORIDA PIPELINE CORPORATION  
subsidiary of  
GATX TERMINALS CORPORATION

1904 Hemlock Avenue  
Tampa, FL 33605  
813-248-8361

December 14, 1989

RECEIVED

DEC 18 1989

Mr. William Thomas  
Florida Department of Environmental Regulation  
2600 Blair Stone Road  
Tallahassee, Florida 32399-2400

DER-BAQM

Re: Central Florida Pipeline Corporation  
Permit No. A048-116200 Tank No. 1055

Dear Mr. Thomas:

On April 21, 1986, Central Florida Pipeline Corporation (CFPL) was issued Florida Department of Environmental Regulation (FDER) Permit No. A048-116200 to operate Storage Tank No. 1055 at its Taft, Florida terminal. Tank 1055 is presently permitted for an annual throughput of 400,000 barrels, with an emission limit of 0.4 tons/year of volatile organic compounds (VOC's); based on the calculations presented in the 1985 permit application. The air emissions calculations for this source have been recalculated in accordance with AP-42, September 1985. Based on the revised calculations provided herewith, the actual calculated total loss is 3.1 tons/year.

The actual throughput in 1988 was 422,990 barrels and there is a potential for a future throughput of 520,000 barrels. Using a projected throughput of 520,000 barrels, the potential total loss was calculated as shown in the attachment. This calculated potential loss is 3.1 tons/year.

CFPL respectfully requests modifications to Specific Conditions 7 and 8 as noted below:

7. Annual throughput of Tank No. 1055 shall not exceed 520,000 bbl. of gasoline.
8. The permitted emission limit for this source is 3.1 tons/year of volatile organic compounds (VOC's).

CFPL requests incorporation of these updated calculations and conditions into FDER Permit No. A048-116200 by amendment.

Should you have any questions or concerns regarding these calculations, please contact me at (813) 241-1125 or 248-2148.

Sincerely,

A handwritten signature in cursive script that reads "Elaine R. Macinski".

Elaine R. Macinski  
Environmental Engineer

ERM:mrr  
em-alexa

c: John Turner, FDER Central District  
Alan D. Zahm, P. E., FDER Central District

REVISED

Air Emission Calculations Per AP-42 September 1985

Tank No. 1055

Deck Seam Losses,  $L_D$

Deck seams are constructed to eliminate losses thru seams; therefore:  $L_D = 0$

Deck Fitting Losses,  $L_F$  (lbs/yr)

$$L_F = F_F \cdot P^* \cdot M_V \cdot K_C$$

Where:  $P^* = 0.13$  ( $P_V = 7.9$ )

$M_V = 64$

$K_C = 1.0$

$F_F = N_F (K_F)$  see note below


Tnk Dia. = 42'

Tnk Ht. = 40'

<u>Deck Fittings</u>	<u><math>K_F</math> (<math>K_F</math>)</u>
Access Hatch	1 (1.6)
Side Gauge	1 (5.1)
Column Well	1 (33)
Ladder Well	1 (56)
Root Leg (adj)	7.9 (12.1)
1/2" Stub Drains	8.4 (1.2) 1 per 5' of tank diameter (per manufacturer)
Vacuum Breaker	1 (0.7)
Sample Pipe	1 (12)

$$L_F = [1.6 + 5.1 + 33 + 56 + 95.6 + 10.1 + 0.7 + 12](0.13)(64)(1) = 2598.9 \text{ lbs/yr}$$
$$= 0.53 \text{ tons/yr}$$

Note: Roof legs will be capped,  $N_F = 0$

  
*E. Wallace Kemp*  
12/13/89

Air Emission Calculations - cont.

Tank No 1055

Rim Seal Losses,  $L_R$  (lbs/yr)

$$L_R = K_S V^n P^* D M_V K_C$$

Where:  $K_S = 6.7$  For vapor-mounted primary  
 $n = 0$   
 $V = 8.8$

$$L_R = (6.7)(8.8)^0(0.13)(42)(64)(1) = 3428.7 \text{ lbs/yr} =$$

Withdrawal Losses,  $L_W$  (lbs/yr)

$$L_W = \frac{(0.943) Q C W_L}{D} \left[ 1 + \frac{N_C R_C}{D} \right]$$

Where  $Q = 400,000$  Average throughput per 1985 application  
 $Q = 520,000$  Bbl Potential  
 $C = 0.0015$   
 $N_C = 1, F_C = 1.0, W_L = 5.6$

Actual:

$$L_W = \frac{(0.943)(400,000)(0.0015)(5.6)}{42} \left[ 1 + \frac{1}{42} \right] = 77.2 \text{ lbs/yr} =$$

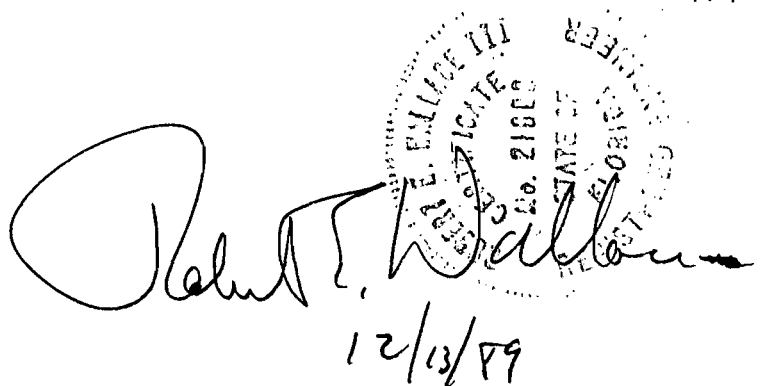
Potential:

$$L_W = \frac{(0.943)(520,000)(0.0015)(5.6)}{42} \left[ 1 + \frac{1}{42} \right] = 100.4 \text{ lbs/yr} =$$

Total Losses,  $L_T$

Actual:  $L_T = 0 + 2598.9 + 3428.7 + 77.2 = 6104.8 \text{ lbs/yr.} = 3.1 \text{ TPY}$

Potential:  $L_T = 0 + 2598.9 + 3428.7 + 100.4 = 6128.0 \text{ lbs/yr.} = 3.1 \text{ TPY}$

  
12/13/89



# Florida Department of Environmental Regulation

Central District • 3319 Maguire Boulevard, Suite 232 • Orlando, Florida 32803-3767 • 407-894-7555

Bob Martinez, Governor

Dale Twachtman, Secretary

John Shearer, Assistant Secretary  
Alex Alexander, Deputy Assistant Secretary

November 7, 1989

OCD-AP-89-0689

Central Florida Pipeline Corporation  
1904 Hemlock Avenue  
Tampa, Florida 33605

Attention: Elaine R. Macinski  
Environmental Engineer

Orange County - AP  
Tank No. 1055 - AO48-116200

RECEIVED

NOV 8 1989

DER-BAQM

Dear Ms. Macinski:

The source referenced in your October 16, 1989 letter is subject to New Source Performance Standards (NSPS) and is located at a major air pollution facility. Therefore, the request to increase emissions must be submitted to the Central Air Permitting staff in Tallahassee.

If you have any questions, please call John Turner at 407-894-7555 or write to me at the above address.

Sincerely,

Alan D. Zahn, P.E.  
Permitting Engineer  
Air Resources Management

ADZ:jtj

cc: Bill Thomas, Tallahassee

DEPARTMENT OF ENVIRONMENTAL REGULATION

**ROUTING AND TRANSMITTAL SLIP**

ACTION NO

ACTION DUE DATE

1. TO: (NAME, OFFICE, LOCATION)

~~Bill Thomas, P.E. III~~

Initial

Date

2.

AIR BAQM CAPS *Fathy*

Initial

Date

3.

Room 3066

Initial

Date

4.

TT Tull

Initial

Date

REMARKS:

**RECEIVED**

NOV 8 1989

DER - BAQM

INFORMATION

Review & Return

Review & File

Initial & Forward

DISPOSITION

Review & Respond

Prepare Response

For My Signature

For Your Signature

Let's Discuss

Set Up Meeting

Investigate & Report

Initial & Forward

Distribute

Concurrence

For Processing

Initial & Return

FROM:

*Air Resources Mgmt  
Central District*

DATE

PHONE

*11-7-89*

**GATX**

DER

JAN 20 1986

DAQM

CENTRAL FLORIDA PIPELINE CORPORATION  
subsidiary of  
GATX TERMINALS CORPORATION

1904 Hemlock Avenue  
Tampa, FL 33605  
813-248-8361

January 13, 1986

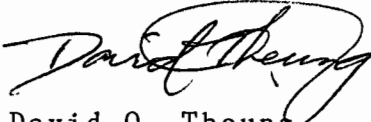
C. H. Fancy, P. E.  
Deputy Bureau Chief  
State of Florida  
Department of Environmental Regulation  
Twin Towers Office Building  
2600 Blair Stone Road  
Tallahassee, Florida 32301-8241

Re: DER Application No. AC 48-109641

Dear Mr. Fancy:

Enclosed please find proof of publication of "Notice of Proposed Agency Action" for the above referenced permit application.

Yours truly,



David O. Theung  
Chief Engineer

DOT/pmc

Enclosure

cc: F. Engelman  
R. Lien

DER

ADVERTISING CHARGE \$84.79

State of Florida ss.  
COUNTY OF ORANGE

JAN 20 1985

BAQM

Before the undersigned authority personally appeared Catherine Deering, who on oath says that

she is the Legal Advertising Representative of the Orlando Sentinel, a Daily newspaper published at Orlando, in Orange County, Florida; that the attached copy of advertisement, being a Notice of Agency Action in the matter of Permit to Central Florida Pipeline Corporation in the \_\_\_\_\_ Court,

was published in said newspaper in the issues of November 27, 1985

Affiant further says that the said Orlando Sentinel is a newspaper published at Orlando, in said Orange County, Florida, and that the said newspaper has heretofore been continuously published in said Orange County, Florida, each Week Day and has been entered as second-class mail matter at the post office in Orlando, in said Orange County, Florida for a period of one year next preceding the first publication of the attached copy of advertisement; and affiant further says that he/she has neither paid nor promised any person, firm or corporation any discount, rebate, commission or refund for the purpose of securing this advertisement for publication in the said newspaper.

Sworn to and subscribed before me this 29th day

of November A.D., 1985

Notary Public, State of Florida at Large  
My Commission Expires May 25, 1987  
Banded by American Pioneer Casualty Ins. Co. FORM NO. AD-262

Beat

TK 1035

sent to  
CC: BP  
P. Thung

Associate  
e \_\_\_\_\_

DEC 04 '85

- B.B.    R.B.
- B.A.    I.B.
- P.D.    D.T.
- L.M.    B.H.
- E.S.    P.S.
- J.L.    A.S.
- M.M.    J.T.

State of Florida  
Department of Environmental Regulation  
Notice of Proposed Agency Action on Permit Application

The Department of Environmental Regulation gives notice of its intent to issue a permit to Central Florida Pipeline Corporation to modify an existing 10,000 barrel petroleum storage tank. This modification will be to install an internal floating roof. This tank is located at the Central Florida Pipeline Facility in Taft, Orange County, Florida. A determination of best available control technology (BACT) was not required.

Persons whose substantial interests are affected by the Department's proposed permitting decision may petition for an administrative proceeding (hearing) in accordance with Section 120.57, Florida Statutes. The petition must conform to the requirements of Chapters 17-103 and 28-5, Florida Administrative Code, and must be filed (received) in the Office of General Counsel of the Department at 2600 Blair Stone Road, Twin Towers Office Building, Tallahassee, Florida 32301, within fourteen (14) days of publication of this notice. Failure to file a request for hearing within this time period shall constitute a waiver of any right such person may have to request an administrative determination (hearing) under Section 120.57, Florida Statutes.

If a petition is filed, the administrative hearing process is designed to formulate agency action. Accordingly, the Department's final action may be different from the proposed agency action. Therefore, persons who may not wish to file a petition may wish to intervene in the proceeding. A petition for intervention must be filed pursuant to Model Rule 28-5.207, Florida Administrative Code, at least five (5) days before the final hearing and be filed with the hearing officer if one has been assigned at the Division of Administrative Hearings, Department of Administration, 2009 Apalachee Parkway, Tallahassee, Florida 32301. If no hearing officer has been assigned, the petition is to be filed with the Department's Office of General Counsel, 2600 Blair Stone Road, Tallahassee, Florida 32301. Failure to petition to intervene within the allowed time frame constitutes a waiver of any right such person has to request a hearing under Section 120.57, Florida Statutes.

The application is available for public inspection during normal business hours, 8:00 a.m. to 5:00 p.m., Monday through Friday, except legal holidays at:  
Dept. of Environmental Regulation  
St. Johns River District  
3319 Maguire Blvd. Suite 232  
Orlando, Florida 32803  
Dept. of Environmental Regulation  
Bureau of Air Quality Management  
2600 Blair Stone Road  
Tallahassee, Florida 32301

Any person may send written comments on the proposed action to Mr. Bill Thomas at the department's Tallahassee address. All comments mailed within 30 days of the publication of this notice will be considered in the department's final determination.

CL-136 Nov. 27, 1985



P 408 533 328

RECEIPT FOR CERTIFIED MAIL

NO INSURANCE COVERAGE PROVIDED—  
NOT FOR INTERNATIONAL MAIL

(See Reverse)

Sent to Mr. R. P. Brunck	
Street and No.	
P.O., State and ZIP Code	
Postage	\$
Certified Fee	
Special Delivery Fee	
Restricted Delivery Fee	
Return Receipt Showing to whom and Date Delivered	
Return Receipt Showing to whom, Date, and Address of Delivery	
TOTAL Postage and Fees	\$
Postmark or Date  11/15/95	

PS Form 3800, Feb. 1982

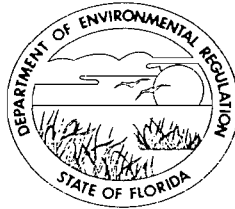
PS Form 3811, July 1983

<b>SENDER: Complete items 1, 2, 3 and 4.</b> Put your address in the "RETURN TO" space on the reverse side. Failure to do this will prevent this card from being returned to you. <u>The return receipt fee will provide you the name of the person delivered to and the date of delivery.</u> For additional fees the following services are available. Consult postmaster for fees and check box(es) for service(s) requested.	
1. <input type="checkbox"/> Show to whom, date and address of delivery. 2. <input type="checkbox"/> Restricted Delivery.	
3. Article Addressed to: Mr. R. P. Brunck Central Fla. Pipeline Corp. 230 S. Riverside Plaza Chicago, Illinois 60606	
4. Type of Service: <input type="checkbox"/> Registered <input type="checkbox"/> Insured <input checked="" type="checkbox"/> Certified <input type="checkbox"/> COD <input type="checkbox"/> Express Mail	Article Number  P 408 533 328
Always obtain signature of addressee or agent and <b>DATE DELIVERED.</b>	
5. Signature - Addressee <i>Robert Garrett</i>	
6. Signature - Agent X	
7. Date of Delivery	
8. Addressee's Address (ONLY if requested and fee paid) NOV 18 1995	

DOMESTIC RETURN RECEIPT

STATE OF FLORIDA  
DEPARTMENT OF ENVIRONMENTAL REGULATION

TWIN TOWERS OFFICE BUILDING  
2600 BLAIR STONE ROAD  
TALLAHASSEE, FLORIDA 32301-8241



BOB GRAHAM  
GOVERNOR  
VICTORIA J. TSCHINKEL  
SECRETARY

November 13, 1985

CERTIFIED MAIL-RETURN RECEIPT REQUESTED

Mr. R. P. Brunck, Manager  
Central Florida Pipeline Corporation  
120 South Riverside Plaza  
Chicago, Illinois 60606


Dear Mr. Brunck:

Attached is one copy of the Technical Evaluation and Preliminary Determination, and proposed permit for the modification of an existing product storage tank (10,000 Bbl) at your existing facility in Taft, Orange County, Florida.

Before final action can be taken on your draft permit, you are required by Florida Administrative Code Rule 17-103.150 to publish the attached Notice of Proposed Agency Action in the legal advertising section of a newspaper of general circulation in Orange County no later than fourteen days after receipt of this letter. The department must be provided with proof of publication within seven days of the date the notice is published. Failure to publish the notice may be grounds for denial of the permit.

Please submit, in writing, any comments which you wish to have considered concerning the department's proposed action to Mr. Bill Thomas of the Bureau of Air Quality Management.

Sincerely,

  
C. H. Fancy, P.E.  
Deputy Chief  
Bureau of Air Quality  
Management

CHF/pa

Attachments

cc: Mr. Fred C. Engelman, P.E.  
Mr. Charles Collins

BEFORE THE STATE OF FLORIDA  
DEPARTMENT OF ENVIRONMENTAL REGULATION

In the Matter of )  
Application for Permit by: )  
 )  
Central Florida Pipeline Corp. ) DER File No. AC 48-109641  
120 South Riverside Plaza )  
Chicago, Illinois 60606 )

INTENT TO ISSUE

The Department of Environmental Regulation hereby gives notice of its Intent to Issue, and proposed order of issuance for, a permit pursuant to Chapter 403, Florida Statutes, for the proposed project as detailed in the application specified above. The Department is issuing this Intent to Issue for the reasons stated in the attached Technical Evaluation and Preliminary Determination.

The applicant, Central Florida Pipeline Corporation, applied on September 10, 1985 to DER for a permit to modify an existing product storage tank at the applicant's facility in Taft, Orange County, Florida.

The Department has permitting jurisdiction under Chapter 403, Florida Statutes and Florida Administrative Code Rules 17-2 and 17-4. The project is not exempt from permitting procedures. The applicant was officially notified by the Department that an air construction permit was required for the proposed work.

This intent to issue shall be placed before the Secretary for final action unless an appropriate petition for a hearing pursuant to the provisions of Section 120.57, Florida Statutes, is filed within fourteen (14) days from receipt of this letter or

publication of the public notice (copy attached) required pursuant to Rule 17-103.150, Florida Administrative Code, whichever occurs first. The petition must comply with the requirements of Section 17-103.155 and Rule 28-5.201, Florida Administrative Code (copy attached) and be filed pursuant to Rule 17-103.155(1) in the Office of General Counsel of the Department of Environmental Regulation at 2600 Blair Stone Road, Tallahassee, Florida 32301.

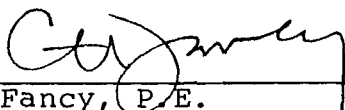
Petitions which are not filed in accordance with the above provisions are subject to dismissal by the Department. In the event a formal hearing is conducted pursuant to Section 120.57(1), all parties shall have an opportunity to respond, to present evidence and argument on all issues involved, to conduct cross-examination of witnesses and submit rebuttal evidence, to submit proposed findings of facts and orders, to file exceptions to any order or hearing officer's recommended order, and to be represented by counsel. If an informal hearing is requested, the agency, in accordance with its rules of procedure, will provide affected persons or parties or their counsel an opportunity, at a convenient time and place, to present to the agency or hearing officer, written or oral evidence in opposition to the agency's action or refusal to act, or a written statement challenging the grounds upon which the agency has chosen to justify its action or inaction, pursuant to Section 120.57(2), Florida Statutes.

If a petition is filed, the administrative hearing process is designed to formulate agency action. Accordingly, the Department's final action may be different from the proposed agency action. Therefore, persons who may not wish to file a petition, may wish to intervene in the proceeding. A petition for intervention must be filed pursuant to Model Rule 28-5.207 at least five (5) days before the final hearing and be filed with the hearing officer if one has been assigned at the Division of

Administrative Hearings, 2009 Apalachee Parkway, Tallahassee, Florida 32301. If no hearing officer has been assigned, the petition is to be filed with the Department's Office of General Counsel, 2600 Blair Stone Road, Tallahassee, Florida 32301. Failure to petition to intervene within the allowed time frame constitutes a waiver of any right such person has to request a hearing under Section 120.57, Florida Statutes.

Executed the 14 day of November, 1985, in Tallahassee, Florida.

STATE OF FLORIDA DEPARTMENT  
OF ENVIRONMENTAL REGULATION

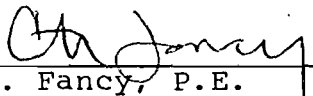
  
\_\_\_\_\_  
C. H. Fancy, P.E.  
Deputy Chief  
Bureau of Air Quality  
Management

Copies furnished to:

Mr. Robert P. Brunck  
Mr. Fred C. Engelman  
Mr. Charles Collins

CERTIFICATION

This is to certify that the foregoing Intent to Issue and all copies were mailed before the close of business on 11/15, 1985.

  
\_\_\_\_\_  
C. H. Fancy, P.E.  
Deputy Chief  
Bureau of Air Quality  
Management  
2600 Blair Stone Road  
Tallahassee, Florida 32301

FILING AND ACKNOWLEDGEMENT  
FILED, on this date, pursuant to  
§120.52(9), Florida Statutes, with  
the designated Department Clerk,  
receipt of which is hereby acknow-  
ledged.

Patricia H. Adams Nov. 15, 1985  
Clerk Date

RULES OF THE ADMINISTRATIVE COMMISSION  
MODEL RULES OF PROCEDURE  
CHAPTER 28-5  
DECISIONS DETERMINING SUBSTANTIAL INTERESTS

28-5.15 Requests for Formal and Informal Proceedings

- (1) Requests for proceedings shall be made by petition to the agency involved. Each petition shall be printed typewritten or otherwise duplicated in legible form on white paper of standard legal size. Unless printed, the impression shall be on one side of the paper only and lines shall be double spaced and indented.
- (2) All petitions filed under these rules should contain:
  - (a) The name and address of each agency affected and each agency's file or identification number, if known;
  - (b) The name and address of the petitioner or petitioners;
  - (c) All disputed issues of material fact. If there are none, the petition must so indicate;
  - (d) A concise statement of the ultimate facts alleged, and the rules, regulations and constitutional provisions which entitle the petitioner to relief;
  - (e) A statement summarizing any informal action taken to resolve the issues, and the results of that action;
  - (f) A demand for the relief to which the petitioner deems himself entitled; and
  - (g) Such other information which the petitioner contends is material.

State of Florida  
Department of Environmental Regulation  
Notice of Proposed Agency Action  
on Permit Application

The Department of Environmental Regulation gives notice of its intent to issue a permit to Central Florida Pipeline Corporation to modify an existing 10,000 barrel petroleum storage tank. This modification will be to install an internal floating roof. This tank is located at the Central Florida Pipeline Facility in Taft, Orange County, Florida. A determination of best available control technology (BACT) was not required.

Persons whose substantial interests are affected by the Department's proposed permitting decision may petition for an administrative proceeding (hearing) in accordance with Section 120.57, Florida Statutes. The petition must conform to the requirements of Chapters 17-103 and 28-5, Florida Administrative Code, and must be filed (received) in the Office of General Counsel of the Department at 2600 Blair Stone Road, Twin Towers Office Building, Tallahassee, Florida 32301, within fourteen (14) days of publication of this notice. Failure to file a request for hearing within this time period constitutes a waiver of any right such person may have to request an administrative determination (hearing) under Section 120.57, Florida Statutes.

If a petition is filed, the administrative hearing process is designed to formulate agency action. Accordingly, the Department's final action may be different from the proposed agency action. Therefore, persons who may not wish to file a petition may wish to intervene in the proceeding. A petition for intervention must be filed pursuant to Model Rule 28-5.207, Florida Administrative Code, at least five (5) days before the final hearing and be filed with the hearing officer if one has been assigned at the Division of Administrative Hearings, Department of Administration, 2009, Apalachee Parkway, Tallahassee, Florida 32301. If no hearing officer has been assigned, the petition is to be filed with the department's Office of General Counsel, 2600 Blair Stone Road, Tallahassee, Florida 32301. Failure to petition to intervene within the allowed time frame constitutes a waiver of any right such person has to request a hearing under Section 120.57, Florida Statutes.



The application is available for public inspection during normal business hours, 8:00 a.m. to 5:00 p.m., Monday through Friday, except legal holidays, at:

Dept. of Environmental Regulation  
St. Johns River District  
3319 Maguire Blvd., Suite 232  
Orlando, Florida 32803

Dept. of Environmental Regulation  
Bureau of Air Quality Management  
2600 Blair Stone Road  
Tallahassee, Florida 32301

Any person may send written comments on the proposed action to Mr. Bill Thomas at the department's Tallahassee address. All comments mailed within 30 days of the publication of this notice will be considered in the department's final determination.

Technical Evaluation  
and  
Preliminary Determination

Central Florida Pipeline Corporation  
Orange County, Florida

Gasoline Storage Tank (1055)  
Application Number: AC 48-109641

Florida Department of Environmental Regulation  
Bureau of Air Quality Management  
Central Air Permitting

November 13, 1985

## I. Project Location and Description

### A. Name and Address of Applicant

Central Florida Pipeline Corporation  
120 South Riverside Plaza  
Chicago, Illinois 60606

### B. Source Location

The affected source is located at S.R. 527 and Vineland Road in the city of Taft, in Orange County, Florida. UTM coordinates are 463.800 km East and 3143.8 km North.

### C. Project Description

The applicant proposes to modify an existing 10,000 barrel petroleum storage tank (tank #1055) by retrofit of an internal floating roof.

## II. Rule Applicability

The proposed project is subject to preconstruction review under the provisions of Chapter 403, Florida Statutes, and Chapter 17-2, Florida Administrative Code.

The facility is located in an area designated as nonattainment for the criteria pollutant ozone. Since the VOC emissions from this project will affect the ozone levels, but do not constitute a significant increase (Table 500-2), it will be permitted in accordance with the requirements of 17-2.650(1)(f)8, Reasonable Available Control Technology (RACT).

The proposed source is required to demonstrate standards of performance for storage vessels for petroleum liquids (constructed after May 18, 1978). These standards are set forth in 40 CFR 60, Subpart Ka, which regulates emissions from tanks larger than 40,000 gallons capacity.

## III. Summary of Emissions and Air Quality

### A. Emissions Limitations

This modification to tank #1055 in order to store gasoline product will have the effect of increasing emissions of volatile organic compounds (VOC's). An emissions limit of 0.08 lb/hr and 0.4 t/yr is required for the completed project.

While minimal, this increase in VOC emissions from the source will be added to those existing at this facility towards a significant increase.

The table below summarizes new VOC emissions from the facility, as well as increases from new sources since December 21, 1979 to October 31, 1985.

Date	Source (identifier & content)	Emission Limit (tons per yr)
* 4/77	Tanks Nos. 2 & 3; SWP oil	0.18
* 3/77	Tank No. 80-1; 80,000 Bbl - Diesel	3.38
* 11/77	Tank No. 25-1; 25,000 Bbl - Gasoline	9.65
* 8/79	Tank No. 9; Petroleum Additives	0.06
* 8/80	Tank No. 37-4; 37,000 Bbl - Gasoline	10.86
10/81	Truck Loading Rack	12.34
7/82	Tank No. 1054; 25,000 bbl - Gasoline	0.56
4/83	Tank No. 60-1; 60,000 Bbl - Gasoline	0.53
10/84	Tank No. 10; 8,000 Bbl - Gasoline Additives	0.06
12/84	Tank No. 11; 8,000 Bbl - Gasoline Additives	0.03
2/85	Truck Loading Rack "C" - 1 Additional Fill	0.72
2/85	Truck Loading Rack Triangle No. 1; 2 Additional Fills	1.43
12/85	Tank No. 1055; 10,000 Bbl - Gasoline	0.40

\* Estimated Construction Permit Dates

RACT is considered sufficient control on sources until the facility reaches a pre-set maximum. For VOC's, sources in a non-attainment area must not have net emissions increases equal to or exceeding 40 TPY for the preceding five year period. In the past five years the net increase of VOC emissions is estimated at 16.37 TPY.

While this proposed modification is minimal it will be added to the total emissions increase for the facility. Further modifications, construction, and changes in throughput will affect the totals.

#### B. Air Quality Analysis

No ambient monitoring or modeling is required to provide reasonable assurance that ambient air quality standards will be maintained.

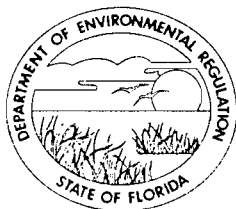
#### IV. Conclusion

Based on a review of the information provided by Central Florida Pipeline Corporation for modification of tank No. 1055 for gasoline storage; the Florida Department of Environmental Regulation concludes that compliance with all applicable state air quality regulations will be achieved provided certain specifications are met.

These specific conditions and more general conditions are contained in the proposed permit attached.

STATE OF FLORIDA  
DEPARTMENT OF ENVIRONMENTAL REGULATION

TWIN TOWERS OFFICE BUILDING  
2600 BLAIR STONE ROAD  
TALLAHASSEE, FLORIDA 32301-8241



BOB GRAHAM  
GOVERNOR  
VICTORIA J. TSCHINKEL  
SECRETARY

**PERMITTEE:**  
Central Florida Pipeline Corp.  
120 South Riverside Plaza  
Chicago, Illinois 60606

Permit Number: AC 48-109641  
Expiration Date: October 31, 1986  
County: Orange  
Latitude/Longitude: 28° 25' 19" N/  
81° 22' 01" W  
Project: Tank No. 1055 (10,000 Bbl)  
Modified with Internal  
Floating Roof

This permit is issued under the provisions of Chapter 403, Florida Statutes, and Florida Administrative Code Rule(s) 17-2 and 17-4. The above named permittee is hereby authorized to perform the work or operate the facility shown on the application and approved drawing(s), plans, and other documents attached hereto or on file with the department and made a part hereof and specifically described as follows:

Modification of tank No. 1055, an existing 10,000 Bbl storage tank, is to be retrofitted with an internal floating roof with a single wiper. This source is located at the Central Florida Pipeline Corporation terminal located at 9999 south SR 527 near Taft, in Orange County. UTM coordinates of the source are 463.8 km East and 3143.8 km North.

Construction shall be in accordance with the attached permit application and additional information except as otherwise noted on pages 5 and 6, Specific Conditions.

**Attachments are as follows:**

PERMITTEE:  
Central Florida Pipeline Corp.

Permit Number: AC 48-109641  
Expiration Date: October 31, 1986

**GENERAL CONDITIONS:**

1. The terms, conditions, requirements, limitations, and restrictions set forth herein are "Permit Conditions" and as such are binding upon the permittee and enforceable pursuant to the authority of Sections 403.161, 403.727, or 403.859 through 403.861, Florida Statutes. The permittee is hereby placed on notice that the department will review this permit periodically and may initiate enforcement action for any violation of the "Permit Conditions" by the permittee, its agents, employees, servants or representatives.

2. This permit is valid only for the specific processes and operations applied for and indicated in the approved drawings or exhibits. Any unauthorized deviation from the approved drawings, exhibits, specifications, or conditions of this permit may constitute grounds for revocation and enforcement action by the department.

3. As provided in Subsections 403.087(6) and 403.722(5), Florida Statutes, the issuance of this permit does not convey any vested rights or any exclusive privileges. Nor does it authorize any injury to public or private property or any invasion of personal rights, nor any infringement of federal, state or local laws or regulations. This permit does not constitute a waiver of or approval of any other department permit that may be required for other aspects of the total project which are not addressed in the permit.

4. This permit conveys no title to land or water, does not constitute state recognition or acknowledgement of title, and does not constitute authority for the use of submerged lands unless herein provided and the necessary title or leasehold interests have been obtained from the state. Only the Trustees of the Internal Improvement Trust Fund may express state opinion as to title.

5. This permit does not relieve the permittee from liability for harm or injury to human health or welfare, animal, plant or aquatic life or property and penalties therefore caused by the construction or operation of this permitted source, nor does it allow the permittee to cause pollution in contravention of Florida Statutes and department rules, unless specifically authorized by an order from the department.

PERMITTEE:  
Central Florida Pipeline Corp.

Permit Number: AC 48-109641  
Expiration Date: October 31, 1986

**GENERAL CONDITIONS:**

6. The permittee shall at all times properly operate and maintain the facility and systems of treatment and control (and related appurtenances) that are installed or used by the permittee to achieve compliance with the conditions of this permit, as required by department rules. This provision includes the operation of backup or auxiliary facilities or similar systems when necessary to achieve compliance with the conditions of the permit and when required by department rules.

7. The permittee, by accepting this permit, specifically agrees to allow authorized department personnel, upon presentation of credentials or other documents as may be required by law, access to the premises, at reasonable times, where the permitted activity is located or conducted for the purpose of:

- a. Having access to and copying any records that must be kept under the conditions of the permit;
- b. Inspecting the facility, equipment, practices, or operations regulated or required under this permit; and
- c. Sampling or monitoring any substances or parameters at any location reasonably necessary to assure compliance with this permit or department rules.

Reasonable time may depend on the nature of the concern being investigated.

8. If, for any reason, the permittee does not comply with or will be unable to comply with any condition or limitation specified in this permit, the permittee shall immediately notify and provide the department with the following information:

- a. a description of and cause of non-compliance; and
- b. the period of noncompliance, including exact dates and times; or, if not corrected, the anticipated time the noncompliance is expected to continue, and steps being taken to reduce, eliminate, and prevent recurrence of the noncompliance.

PERMITTEE:  
Central Florida Pipeline Corp.

Permit Number: AC 40109641  
Expiration Date: October 31, 1986

**GENERAL CONDITIONS:**

The permittee shall be responsible for any and all damages which may result and may be subject to enforcement action by the department for penalties or revocation of this permit.

9. In accepting this permit, the permittee understands and agrees that all records, notes, monitoring data and other information relating to the construction or operation of this permitted source, which are submitted to the department, may be used by the department as evidence in any enforcement case arising under the Florida Statutes or department rules, except where such use is proscribed by Sections 403.73 and 403.111, Florida Statutes.

10. The permittee agrees to comply with changes in department rules and Florida Statutes after a reasonable time for compliance, provided however, the permittee does not waive any other rights granted by Florida Statutes or department rules.

11. This permit is transferable only upon department approval in accordance with Florida Administrative Code Rules 17-4.12 and 17-30.30, as applicable. The permittee shall be liable for any non-compliance of the permitted activity until the transfer is approved by the department.

12. This permit is required to be kept at the work site of the permitted activity during the entire period of construction or operation.

13. This permit also constitutes:

- ( ) Determination of Best Available Control Technology (BACT)
- ( ) Determination of Prevention of Significant Deterioration (PSD).
- (x) Compliance with New Source Performance Standards.

14. The permittee shall comply with the following monitoring and record keeping requirements:

- a. Upon request, the permittee shall furnish all records and plans required under department rules. The retention period for all records will be extended automatically, unless otherwise stipulated by the department, during the course of any unresolved enforcement action.



PERMITTEE:  
Central Florida Pipeline Corp.

Permit Number: AC 48-19641  
Expiration Date: October 31, 1986

**GENERAL CONDITIONS:**

b. The permittee shall retain at the facility or other location designated by this permit records of all monitoring information (including all calibration and maintenance records and all original strip chart recordings for continuous monitoring instrumentation), copies of all reports required by this permit, and records of all data used to complete the application for this permit. The time period of retention shall be at least three years from the date of the sample, measurement, report or application unless otherwise specified by department rule.

c. Records of monitoring information shall include:

- the date, exact place, and time of sampling or measurements;
- the person responsible for performing the sampling or measurements;
- the date(s) analyses were performed;
- the person responsible for performing the analyses;
- the analytical techniques or methods used; and
- the results of such analyses.

15. When requested by the department, the permittee shall within a reasonable time furnish any information required by law which is needed to determine compliance with the permit. If the permittee becomes aware that relevant facts were not submitted or were incorrect in the permit application or in any report to the department, such facts or information shall be submitted or corrected promptly.

**SPECIFIC CONDITIONS:**

1. Operation is continuous (8,760 hours annually).

2. This project shall comply with the requirements of 40 CFR Subpart Ka - Standards of Performance for storage vessels for petroleum liquids constructed after May 18, 1978.

3. Annual throughput of tank No. 1055 shall not exceed 400,000 Bbl. of gasoline.

4. No deviation from the project as set forth in the application is allowed without the express knowledge and approval of the Department's St. Johns River District office.

PERMITTEE:  
Central Florida Pipeline Corp.

Permit Number: AC 48-109641  
Expiration Date: October 31, 1986

**SPECIFIC CONDITIONS:**

5. Thirty days prior to the initial fill, the St. Johns River District office shall be notified so that a departmental representative may verify compliance with conditions of the construction permit.

6. Ninety days prior to the expiration of the construction permit the permittee will submit a complete application for an operating permit. The permittee may continue to operate this source, in compliance with all terms of the construction permit until the expiration date or issuance of an operating permit.

7. Annual operating and maintenance reports shall be submitted to the St. Johns River District office and shall include gasoline throughput, seal and tank conditions, and data as specified in 40 CFR 60.1151.

Issued this \_\_\_\_\_ day of \_\_\_\_\_,  
19\_\_.

STATE OF FLORIDA DEPARTMENT  
OF ENVIRONMENTAL REGULATION

---

VICTORIA J. TSCHINKEL, Secretary

\_\_\_ pages attached.

**GATX**

PM  
9-3-85  
Tampa, FL

CENTRAL FLORIDA PIPELINE CORPORATION  
subsidiary of  
GATX TERMINALS CORPORATION

1904 Hemlock Avenue  
Tampa, FL 33605  
813-248-8361

**DER**

**SEP 10 1985**

**BAQM**

September 3, 1985

C. H. Fancy, P.E.  
Deputy Chief  
State of Florida  
Bureau of Air Quality Management  
Twin Towers Office Building  
2600 Blair Stone Road  
Tallahassee, Florida 32301

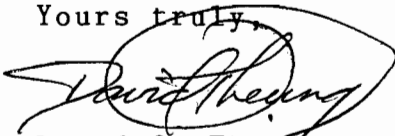
Dear Mr. Fancy:

Central Florida Pipeline Corporation proposes to install an internal floating roof in its existing Tank 1055 at the Taft terminal, for gasoline service.

Please find enclosed the original and three (3) copies of DER "Application to Construct Air Pollution Sources", all attachments, and check #3435 in the amount of \$100 for payment of processing fee. Start of construction is set for September 30, 1985. We would appreciate your expeditious handling of our application so the above schedule can be met.

If you have any questions, please call me at (813)248-2148.

Yours truly,



David O. Theung  
Chief Engineer

DOT/dh

Enclosures

cc: R. P. Brunck  
R. Lien w/Enclosures  
S. Wielga w/Enclosures

CENTRAL FLORIDA PIPELINE CORP.  
PLANT ACCOUNT

3435

September 3 1985

PAY TO THE  
ORDER OF

Department of Environmental Regulations

\$ 100.00

\*\*\*One Hundred & 00/100\*\*\*

DOLLARS



FOR 7644/550

*R. P. Branch*

STATE OF FLORIDA  
DEPARTMENT OF ENVIRONMENTAL REGULATION

Nº 76089

RECEIPT FOR APPLICATION FEES AND MISCELLANEOUS REVENUE

Received from Central Florida Pipeline Corp. Date Sept. 20, 1985

Address 120 S. Riverside, Playa, Chicago IL 60606 Dollars \$ 100.00

Applicant Name & Address same as above

Source of Revenue \_\_\_\_\_

Revenue Code 001031 Application Number AC 48-109641

By Patricia G. Adams

STATE OF FLORIDA AC 48-109641  
DEPARTMENT OF ENVIRONMENTAL REGULATION

Original  
DER  
SEP 10 1985  
BOE GRANT  
BAQM

SOUTHWEST DISTRICT  
7601 HIGHWAY 301 NORTH  
TAMPA, FLORIDA 33610-9544



VICTORIA J. TSCHINKEL  
SECRETARY  
RICHARD D. GARRITY, PH.D.  
DISTRICT MANAGER

APPLICATION TO OPERATE/CONSTRUCT AIR POLLUTION SOURCES

SOURCE TYPE: Petroleum Tank - Gasoline [ ] New<sup>1</sup> [X] Existing<sup>1</sup>

APPLICATION TYPE: [ ] Construction [ ] Operation [X] Modification

COMPANY NAME: Central Florida Pipeline Corporation COUNTY: Orange

Identify the specific emission point source(s) addressed in this application (i.e. Lime Kiln No. 4 with Venturi Scrubber; Peaking Unit No. 2, Gas Fired)

SOURCE LOCATION: Street S.R. 527 and Vineland Road City Taft, 32809

UTM: East 463800 North 3143800

Latitude 28 ° 25 ' 19 "N Longitude 81 ° 22 ' 01 "W

APPLICANT NAME AND TITLE: Central Florida Pipeline Corporation

APPLICANT ADDRESS: 120 South Riverside Plaza, Chicago, IL 60606

SECTION I: STATEMENTS BY APPLICANT AND ENGINEER

A. APPLICANT

I am the undersigned owner or authorized representative\* of Central Florida Pipeline Corp.

I certify that the statements made in this application for a Modification permit are true, correct and complete to the best of my knowledge and belief. Further, I agree to maintain and operate the pollution control source and pollution control facilities in such a manner as to comply with the provision of Chapter 403, Florida Statutes, and all the rules and regulations of the department and revisions thereof. I also understand that a permit, if granted by the department, will be non-transferable and I will promptly notify the department upon sale or legal transfer of the permitted establishment.

\*Attach letter of authorization

Signed: R. P. Brunck  
R. P. Brunck, Manager  
Name and Title (Please Type)

Date: 8-28-85 Telephone No. 813/248-2148

B. PROFESSIONAL ENGINEER REGISTERED IN FLORIDA (where required by Chapter 471, F.S.)

This is to certify that the engineering features of this pollution control project have been designed/examined by me and found to be in conformity with modern engineering principles applicable to the treatment and disposal of pollutants characterized in the permit application. There is reasonable assurance, in my professional judgment, that

<sup>1</sup> See Florida Administrative Code Rule 17-2.100(57) and (104)

the pollution control facilities, when properly maintained and operated, will discharge an effluent that complies with all applicable statutes of the State of Florida and the rules and regulations of the department. It is also agreed that the undersigned will furnish, if authorized by the owner, the applicant a set of instructions for the proper maintenance and operation of the pollution control facilities and, if applicable, pollution sources.

Signed Fred C Engelman P.E.

Fred C. Engelman, P.E.

Name (Please Type)

Consultant Engineer

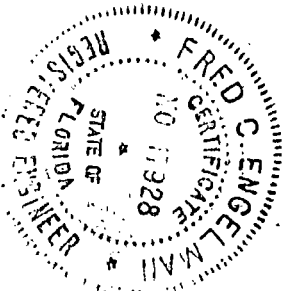
Company Name (Please Type)

3208 Robson Circle, Tampa, FL 33614

Mailing Address (Please Type)

Florida Registration No. 17928

Date: Sept. -3- 85 Telephone No. 813/933-5082



**SECTION II: GENERAL PROJECT INFORMATION**

A. Describe the nature and extent of the project. Refer to pollution control equipment, and expected improvements in source performance as a result of installation. State whether the project will result in full compliance. Attach additional sheet if necessary.

We propose to install an aluminum internal floating roof in an existing cone roof diesel

oil tank (42'dia.X40'ht., 10,000 Bbl.) to be used for gasoline storage, max. true vapor

pressure is 11.0psi (570 mm Hg). This project will be in full compliance w/ applicable

Florida DER rules.

B. Schedule of project covered in this application (Construction Permit Application Only)

Start of Construction September 30, 1985 Completion of Construction February 28, 1986

C. Costs of pollution control system(s): (Note: Show breakdown of estimated costs only for individual components/units of the project serving pollution control purposes. Information on actual costs shall be furnished with the application for operation permit.)

One (1) 42 ft. diameter aluminum internal floating roof with all appurtenances, Cost = \$16,000

D. Indicate any previous DER permits, orders and notices associated with the emission point, including permit issuance and expiration dates.

This tank is listed under DER Permit #A048-46569. See attached sheet for other permits

at this location.

E. Requested permitted equipment operating time: hrs/day 24; days/wk 7; wks/yr 52; if power plant, hrs/yr \_\_\_\_\_; if seasonal, describe: \_\_\_\_\_

F. If this is a new source or major modification, answer the following questions. (Yes or No)

- 1. Is this source in a non-attainment area for a particular pollutant? Yes
  - a. If yes, has "offset" been applied? No
  - b. If yes, has "Lowest Achievable Emission Rate" been applied? N/A
  - c. If yes, list non-attainment pollutants. Hydrocarbons
- 2. Does best available control technology (BACT) apply to this source? If yes, see Section VI. No
- 3. Does the State "Prevention of Significant Deterioration" (PSD) requirement apply to this source? If yes, see Sections VI and VII. No
- 4. Do "Standards of Performance for New Stationary Sources" (NSPS) apply to this source? Yes
- 5. Do "National Emission Standards for Hazardous Air Pollutants" (NESHAP) apply to this source? No

- H. Do "Reasonably Available Control Technology" (RACT) requirements apply to this source? No
- a. If yea, for what pollutants? \_\_\_\_\_
  - b. If yes, in addition to the information required in this form, any information requested in Rule 17-2.650 must be submitted.

Attach all supportive information related to any answer of "Yes". Attach any justification for any answer of "No" that might be considered questionable.

**SECTION III: AIR POLLUTION SOURCES & CONTROL DEVICES (Other than Incinerators)**

A. Raw Materials and Chemicals Used in your Process, if applicable: N/A

Description	Contaminants		Utilization Rate - lbs/hr	Relate to Flow Diagram
	Type	% Wt		

B. Process Rate, if applicable: (See Section V, Item 1) N/A

1. Total Process Input Rate (lbs/hr): \_\_\_\_\_

2. Product Weight (lbs/hr): \_\_\_\_\_

C. Airborne Contaminants Emitted: (Information in this table must be submitted for each emission point, use additional sheets as necessary)

Name of Contaminant	Emission <sup>1</sup>		Allowed Emission Rate per Rule 17-2	Allowable <sup>3</sup> Emission lbs/hr	Potential <sup>4</sup> Emission		Relate to Flow Diagram
	Maximum lbs/hr	Actual T/yr			lbs/yr	T/yr	
Hydrocarbons	.008	0.4	NSPS	There is no			
			applies	criteria for			
				storage tanks			

<sup>1</sup>See Section V, Item 2.

<sup>2</sup>Reference applicable emission standards and units (e.g. Rule 17-2.600(5)(b)2. Table II, E. (1) - 0.1 pounds per million BTU heat input)

<sup>3</sup>Calculated from operating rate and applicable standard.

<sup>4</sup>Emission, if source operated without control (See Section V, Item 3).



D. Control Devices: (See Section V, Item 4)

Name and Type (Model & Serial No.)	Contaminant	Efficiency	Range of Particles Size Collected (in microns) (If applicable)	Basis for Efficiency (Section V Item 5)
Internal Floating Roof	Hydrocarbon			

E. Fuels

Type (Be Specific)	Consumption*		Maximum Heat Input (MMBTU/hr)
	avg/hr	max./hr	

\*Units: Natural Gas--MMCF/hr; Fuel Oils--gallons/hr; Coal, wood, refuse, other--lbs/hr.

Fuel Analysis:

Percent Sulfur: \_\_\_\_\_ Percent Ash: \_\_\_\_\_

Density: \_\_\_\_\_ lbs/gal Typical Percent Nitrogen: \_\_\_\_\_

Heat Capacity: \_\_\_\_\_ BTU/lb \_\_\_\_\_ BTU/gal

Other Fuel Contaminants (which may cause air pollution): \_\_\_\_\_

F. If applicable, indicate the percent of fuel used for space heating.

Annual Average \_\_\_\_\_ Maximum \_\_\_\_\_

G. Indicate liquid or solid wastes generated and method of disposal.

---



---



---



---

H. Emission Stack Geometry and Flow Characteristics (Provide data for each stack):

Stack Height: 40 ft. High Tank ft. Stack Diameter: 8 - 30" X 8" Vents ft.  
 Gas Flow Rate: 200 ACFM          DSCFM Gas Exit Temperature: Ambient °F.  
 Water Vapor Content:          % Velocity:          FPS

**SECTION IV: INCINERATOR INFORMATION**

Type of Waste	Type 0 (Plastics)	Type I (Rubbish)	Type II (Refuse)	Type III (Garbage)	Type IV (Pathological)	Type V (Liq. & Gas By-prod.)	Type VI (Solid By-prod.)
Actual lb/hr Incinerated							
Uncontrolled (lbs/hr)							

Description of Waste           
 Total Weight Incinerated (lbs/hr)          Design Capacity (lbs/hr)           
 Approximate Number of Hours of Operation per day          day/wk          wks/yr.           
 Manufacturer           
 Date Constructed          Model No.         

	Volume (ft) <sup>3</sup>	Heat Release (BTU/hr)	Fuel		Temperature (°F)
			Type	BTU/hr	
Primary Chamber					
Secondary Chamber					

Stack Height:          ft. Stack Diameter:          Stack Temp.           
 Gas Flow Rate:          ACFM          DSCFM\* Velocity:          FPS

\*If 50 or more tons per day design capacity, submit the emissions rate in grains per standard cubic foot dry gas corrected to 50% excess air.

Type of pollution control device:  Cyclone  Wet Scrubber  Afterburner  
 Other (specify)

Brief description of operating characteristics of control devices: \_\_\_\_\_

Ultimate disposal of any effluent other than that emitted from the stack (scrubber water, ash, etc.): \_\_\_\_\_

NOTE: Items 2, 3, 4, 6, 7, 8, and 10 in Section V must be included where applicable.

#### SECTION V: SUPPLEMENTAL REQUIREMENTS

Please provide the following supplements where required for this application.

1. Total process input rate and product weight -- show derivation [Rule 17-2.100(127)].
2. To a construction application, attach basis of emission estimate (e.g., design calculations, design drawings, pertinent manufacturer's test data, etc.) and attach proposed methods (e.g., FR Part 60 Methods 1, 2, 3, 4, 5) to show proof of compliance with applicable standards. To an operation application, attach test results or methods used to show proof of compliance. Information provided when applying for an operation permit from a construction permit shall be indicative of the time at which the test was made.
3. Attach basis of potential discharge (e.g., emission factor, that is, AP42 test).
4. With construction permit application, include design details for all air pollution control systems (e.g., for baghouse include cloth to air ratio; for scrubber include cross-section sketch, design pressure drop, etc.)
5. With construction permit application, attach derivation of control device(s) efficiency. Include test or design data. Items 2, 3 and 5 should be consistent: actual emissions = potential (1-efficiency).
6. An 8 1/2" x 11" flow diagram which will, without revealing trade secrets, identify the individual operations and/or processes. Indicate where raw materials enter, where solid and liquid waste exit, where gaseous emissions and/or airborne particles are evolved and where finished products are obtained.
7. An 8 1/2" x 11" plot plan showing the location of the establishment, and points of airborne emissions, in relation to the surrounding area, residences and other permanent structures and roadways (Example: Copy of relevant portion of USGS topographic map).
8. An 8 1/2" x 11" plot plan of facility showing the location of manufacturing processes and outlets for airborne emissions. Relate all flows to the flow diagram.

9. The appropriate application fee in accordance with Rule 17-4.05. The check should be made payable to the Department of Environmental Regulation.
10. With an application for operation permit, attach a Certificate of Completion of Construction indicating that the source was constructed as shown in the construction permit.

**SECTION VI: BEST AVAILABLE CONTROL TECHNOLOGY**

A. Are standards of performance for new stationary sources pursuant to 40 C.F.R. Part 60 applicable to the source?

Yes  No

Contaminant	Rate or Concentration
Hydrocarbons	N/A

B. Has EPA declared the best available control technology for this class of sources (If yes, attach copy)

Yes  No

Contaminant	Rate or Concentration

C. What emission levels do you propose as best available control technology?

Contaminant	Rate or Concentration

D. Describe the existing control and treatment technology (if any).

- |                                 |                          |
|---------------------------------|--------------------------|
| 1. Control Device/System: None* | 2. Operating Principles: |
| 3. Efficiency:*                 | 4. Capital Costs:        |

\*Explain method of determining

\*This tank presently in diesel oil service.

5. Useful Life: 10 yrs.

6. Operating Costs:

7. Energy:

8. Maintenance Cost: \$1,500/yr.

9. Emissions:

Contaminant

Rate or Concentration

Contaminant	Rate or Concentration

10. Stack Parameters N/A

- a. Height: ft.
- b. Diameter: ft.
- c. Flow Rate: ACFM
- d. Temperature: °F.
- e. Velocity: FPS

E. Describe the control and treatment technology available (As many types as applicable, use additional pages if necessary).

1.

- a. Control Device: Internal Floating Roof
- b. Operating Principles: Vapor seal on product surface
- c. Efficiency:<sup>1</sup>
- d. Capital Cost: \$16,000
- e. Useful Life: 10 yrs.
- f. Operating Cost: -0-
- g. Energy:<sup>2</sup>
- h. Maintenance Cost: \$1,500/yr.
- i. Availability of construction materials and process chemicals: readily available
- j. Applicability to manufacturing processes: N/A
- k. Ability to construct with control device, install in available space, and operate within proposed levels: N/A

2.

- a. Control Device:
- b. Operating Principles:
- c. Efficiency:<sup>1</sup>
- d. Capital Cost:
- e. Useful Life:
- f. Operating Cost:
- g. Energy:<sup>2</sup>
- h. Maintenance Cost:
- i. Availability of construction materials and process chemicals:

<sup>1</sup>Explain method of determining efficiency.

<sup>2</sup>Energy to be reported in units of electrical power - KWH design rate.

- j. Applicability to manufacturing processes:
- k. Ability to construct with control device, install in available space, and operate within proposed levels:

3.

- a. Control Device:
- b. Operating Principles:
- c. Efficiency:<sup>1</sup>
- d. Capital Cost:
- e. Useful Life:
- f. Operating Cost:
- g. Energy:<sup>2</sup>
- h. Maintenance Cost:
- i. Availability of construction materials and process chemicals:
- j. Applicability to manufacturing processes:
- k. Ability to construct with control device, install in available space, and operate within proposed levels:

4.

- a. Control Device:
- b. Operating Principles:
- c. Efficiency:<sup>1</sup>
- d. Capital Costs:
- e. Useful Life:
- f. Operating Cost:
- g. Energy:<sup>2</sup>
- h. Maintenance Cost:
- i. Availability of construction materials and process chemicals:
- j. Applicability to manufacturing processes:
- k. Ability to construct with control device, install in available space, and operate within proposed levels:

F. Describe the control technology selected:

- 1. Control Device: Internal Floating Roof
- 2. Efficiency:<sup>1</sup>
- 3. Capital Cost: \$16,000
- 4. Useful Life: 10 yrs.
- 5. Operating Cost: -0-
- 6. Energy:<sup>2</sup>
- 7. Maintenance Cost: \$1,500/yr.
- 8. Manufacturer: Mayflower Vapor Seal
- 9. Other locations where employed on similar processes:
  - a. (1) Company: GATX Terminals Corporation
  - (2) Mailing Address: 2802 Maritime Blvd.
  - (3) City: Tampa
  - (4) State: Florida

<sup>1</sup>Explain method of determining efficiency.

<sup>2</sup>Energy to be reported in units of electrical power - KWH design rate.

(5) Environmental Manager: David O. Theung

(6) Telephone No.: 813/248-2148

(7) Emissions:<sup>1</sup> N/A

Contaminant	Rate or Concentration
Hydrocarbons	

(8) Process Rate:<sup>1</sup> N/A

b. (1) Company:

(2) Mailing Address:

(3) City:

(4) State:

(5) Environmental Manager:

(6) Telephone No.:

(7) Emissions:<sup>1</sup>

Contaminant	Rate or Concentration

(8) Process Rate:<sup>1</sup>

10. Reason for selection and description of systems: Economy, useful life, efficiency

<sup>1</sup>Applicant must provide this information when available. Should this information not be available, applicant must state the reason(s) why.

### SECTION VII - PREVENTION OF SIGNIFICANT DETERIORATION

#### A. Company Monitored Data

1. \_\_\_\_\_ no. sites \_\_\_\_\_ TSP \_\_\_\_\_ ( ) SO<sub>2</sub>\* \_\_\_\_\_ Wind spd/dir

Period of Monitoring \_\_\_\_\_ / \_\_\_\_\_ / \_\_\_\_\_ to \_\_\_\_\_ / \_\_\_\_\_ / \_\_\_\_\_  
month day year month day year

Other data recorded \_\_\_\_\_

Attach all data or statistical summaries to this application.

\*Specify bubbler (B) or continuous (C).

2. Instrumentation, Field and Laboratory

- a. Was instrumentation EPA referenced or its equivalent?  Yes  No
- b. Was instrumentation calibrated in accordance with Department procedures?  
 Yes  No  Unknown

B. Meteorological Data Used for Air Quality Modeling

- 1. \_\_\_\_\_ Year(s) of data from \_\_\_\_\_ / \_\_\_\_\_ / \_\_\_\_\_ to \_\_\_\_\_ / \_\_\_\_\_ / \_\_\_\_\_  
month day year month day year
- 2. Surface data obtained from (location) \_\_\_\_\_
- 3. Upper air (mixing height) data obtained from (location) \_\_\_\_\_
- 4. Stability wind rose (STAR) data obtained from (location) \_\_\_\_\_

C. Computer Models Used

- 1. \_\_\_\_\_ Modified? If yes, attach description.
- 2. \_\_\_\_\_ Modified? If yes, attach description.
- 3. \_\_\_\_\_ Modified? If yes, attach description.
- 4. \_\_\_\_\_ Modified? If yes, attach description.

Attach copies of all final model runs showing input data, receptor locations, and principle output tables.

D. Applicants Maximum Allowable Emission Data

Pollutant	Emission Rate
TSP	_____ grams/sec
SO <sub>2</sub>	_____ grams/sec

E. Emission Data Used in Modeling

Attach list of emission sources. Emission data required is source name, description of point source (on NEDS point number), UTM coordinates, stack data, allowable emissions, and normal operating time.

F. Attach all other information supportive to the PSD review.

G. Discuss the social and economic impact of the selected technology versus other applicable technologies (i.e., jobs, payroll, production, taxes, energy, etc.). Include assessment of the environmental impact of the sources.

H. Attach scientific, engineering, and technical material, reports, publications, journals, and other competent relevant information describing the theory and application of the requested best available control technology.



D.E.R. AIR PERMITS - TAFT TERMINAL

<u>Permit No.</u>	<u>Tank/Other</u>	<u>Date issued</u>	<u>Date Expires</u>
A048-088777	Tank 9	08-20-84	08-16-89
A048-104209	Tank 37-4	08-06-85	08-06-90
A048-104205	Tank 40-1	08-06-85	08-06-90
A048-46569	Tanks 1054, 1055, 1061, 1062, 37-3, 4, 5, 6, 1059, 1060, 37-1, 37-2	12-06-81	12-01-86
A048-46573	Five (5) Tank Truck Load Racks	02-02-82	02-01-87
A048-51905	Tank 80-1	03-24-82	03-23-87
A048-52700	Tank 2	04-08-82	03-31-87
A048-52701	Tank 3	03-24-82	03-23-87
A048-56561	Tanks 1051, 1052, 1053, 1056, 1057	07-08-82	07-06-87
A048-61758	Tank 25-1	11-29-82	11-15-87
A048-61154	One (1) Tank Truck Load Rack	11-09-83	11-08-88
A048-81650	Tank 1054 With IFR	03-14-84	03-09-89
A048-82798	Tank 60-1	04-09-84	04-05-89
A048-092244	Tank 10	10-02-84	09-24-89
A048-098437	Tank 11	03-08-85	03-07-90

Revised 5/10/85



Title: Evaporation Losses For Tnk, 1055  
w/ Internal Floating Roof  
Calculated In Accordance w/ AP-42

Project No. 013-85-1

Location/C.O. No.  
Taft/CO 93

### Breathing Losses - $L_s$

$$L_s = \text{Losses in lbs/Yr} = K_s \cdot V^N \cdot P \cdot D \cdot M_v \cdot K_c$$

where:  $K_s = 0.7$

$V = \text{wind velocity} = 8.7 \text{ MPH}$

$N = 0.4$

$$P = 0.14 = \frac{P_v}{P_a} = \frac{6.2}{14.7} \left[ 1 + \left( 1 - \frac{P_v}{P_a} \right)^{0.5} \right]^2 = \frac{6.2}{14.7} \left[ 1 + \left( 1 - \frac{6.2}{14.7} \right)^{0.5} \right]^2$$

$D = \text{Dia of tank in ft.} = 42$

$M_v = \text{Molecular Weight} = 66$

$K_c = 1.0$

### Working Losses - $L_w$

$$L_w = \text{Losses in lbs/Yr} = 0.943 \cdot Q \cdot C \cdot W_1 \div D$$

where  $Q = \text{Average throughput/Yr} = 400,000 \text{ Bbl.} =$

$C = \text{shell Clingage} = 0.0015$

$W_1 = \text{Density of product} = 5.0 \text{ lbs/gal}$

$$L_s = 0.7 \cdot 8.7^4 \cdot 0.14 \cdot 42 \cdot 66 \cdot 1.0 = 645.4 \text{ lbs/Yr.}$$

$$L_w = 0.943 \cdot 4 \times 10^5 \cdot 0.0015 \cdot 5 / 42 = 67.4 \text{ lbs/Yr.}$$

$$712.4 \text{ lbs/Yr.}$$

TOTAL LOSSES = 712.4 lbs/Year

= 0.4 Ton/Year

= 0.08 lbs/Hour

Prepared By

Date

Rev. No.

Date

Checked By

Date

Rev. No.

Date

# Best Available Copy

SCALE 1:24,000

## PINE CASTLE, FLA.

N2822.5-W8115/7.5

1953

PHOTOREVISED 1970

AMS 4740 IV NE-SERIES V847

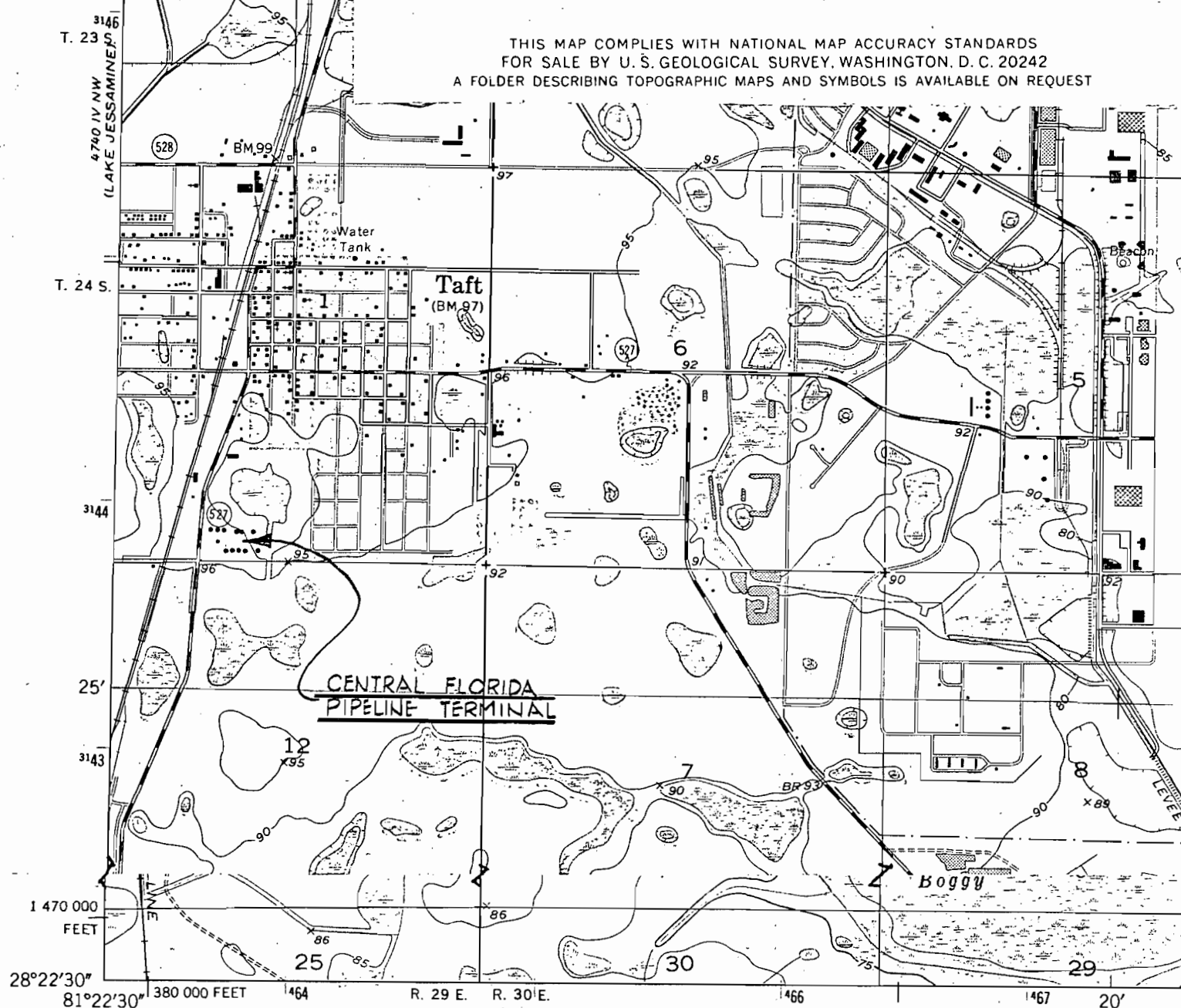
1000 0 1000 2000 3000 4000 5000 6000 7000 FEET

1 5 0 1 KILOMETER

CONTOUR INTERVAL 5 FEET

DATUM IS MEAN SEA LEVEL

THIS MAP COMPLIES WITH NATIONAL MAP ACCURACY STANDARDS FOR SALE BY U. S. GEOLOGICAL SURVEY, WASHINGTON, D. C. 20242 A FOLDER DESCRIBING TOPOGRAPHIC MAPS AND SYMBOLS IS AVAILABLE ON REQUEST



Mapped, edited, and published by the Geological Survey

Control by USGS, USC&GS, and USCE

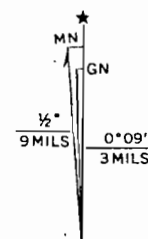
Culture and drainage in part compiled by U. S. Corps of Engineers from aerial photographs taken 1950. Topography by plane-table surveys 1953

Polyconic projection. 1927 North American datum  
10,000-foot grid based on Florida coordinate system, east zone

1000-meter Universal Transverse Mercator grid ticks, zone 17, shown in blue

Revisions shown in purple compiled from aerial photographs taken 1970. This information not field checked

Purple tint indicates extension of urban areas



UTM GRID AND 1970 MAGNETIC NORTH DECLINATION AT CENTER OF SHEET

(KISSIMMEE)  
4740 IV SW

VINELAND RD.

S.R. 527

S.C.L. R.R.

CENTRAL FLORIDA  
PIPELINE CORPORATION



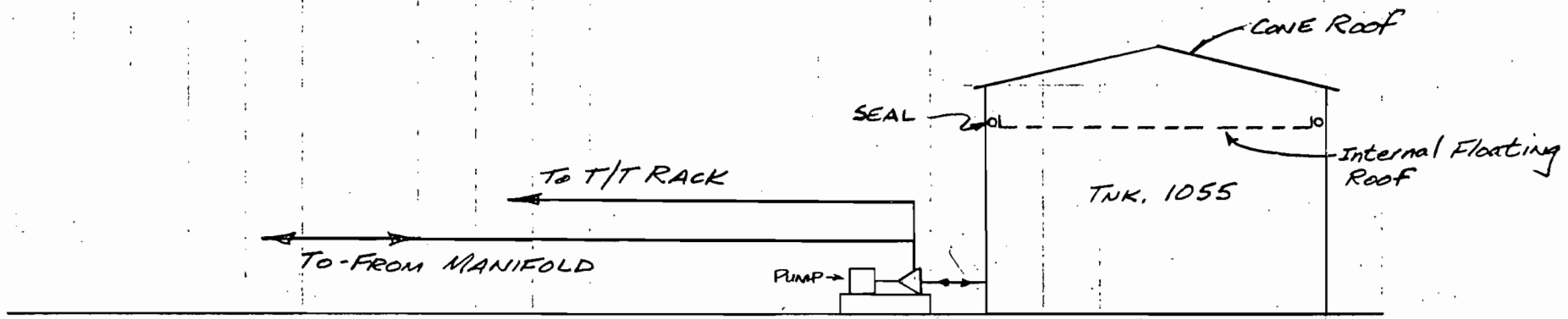
TAFT



ORANGE COUNTY, FLA.

LOCATION MAP





FLOW DIAGRAM

FOR TNK. 1055

CERTIFICATE

I, W. H. Chittum assistant secretary of Central Florida Pipeline Corporation, Delaware Corporation licensed to do business in the State of Florida do hereby certify that the person here and after name is the Florida Manager of said Corporation. That such person is an authorized representative of said Corporation and that he is authorized to take all action and do all things as an authorized Company representative required or permitted under the law of the State of Florida and under the rule and regulation of the State of Florida, Department of Environmental Regulation and that such person true and correct signature is set forth opposite his name.

R. P. Brunck 12-11-78  
R. P. Brunck, Manager

In witness whereof I have here unto set my hand and seal of Central Florida Pipeline Corporation this 6th day of December, 1978.

W. H. Chittum  
W. H. Chittum

**Mayflower**  
VAPOR SEAL CORPORATION

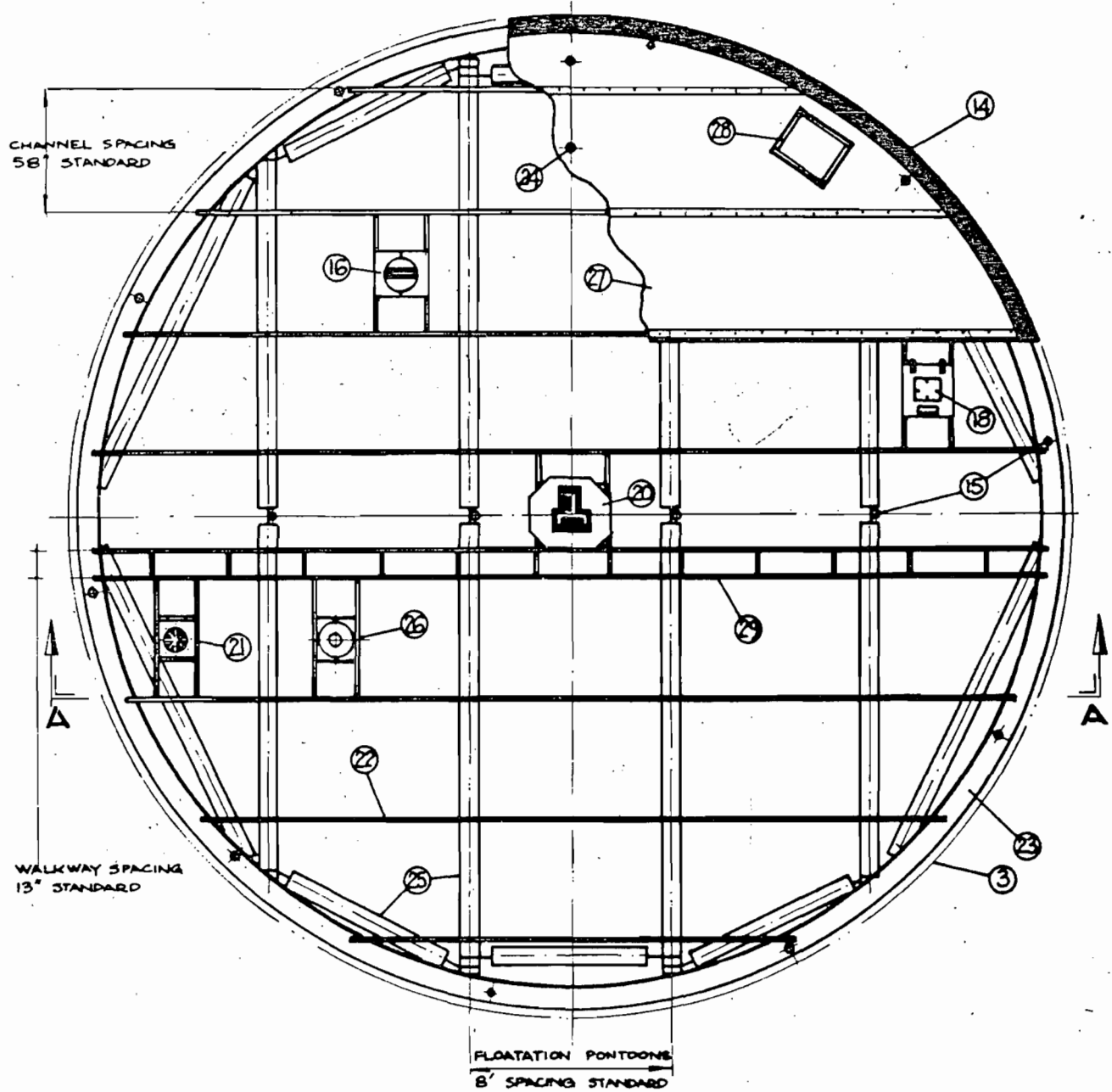
DESIGN DETAILS  
MAYFLOWER VAPOR SEAL  
PARTS & ACCESSORIES

16 Industrial Avenue • Little Ferry, New Jersey 07643  
phone N. J. (201) 641-0200 • N. Y. (212) CHickering 4-6144



MAYFLOWER VAPOR SEAL  
 TYPICAL PLAN VIEW OF 40 FT. DIA.

DWG. NO. MVS 100-1276

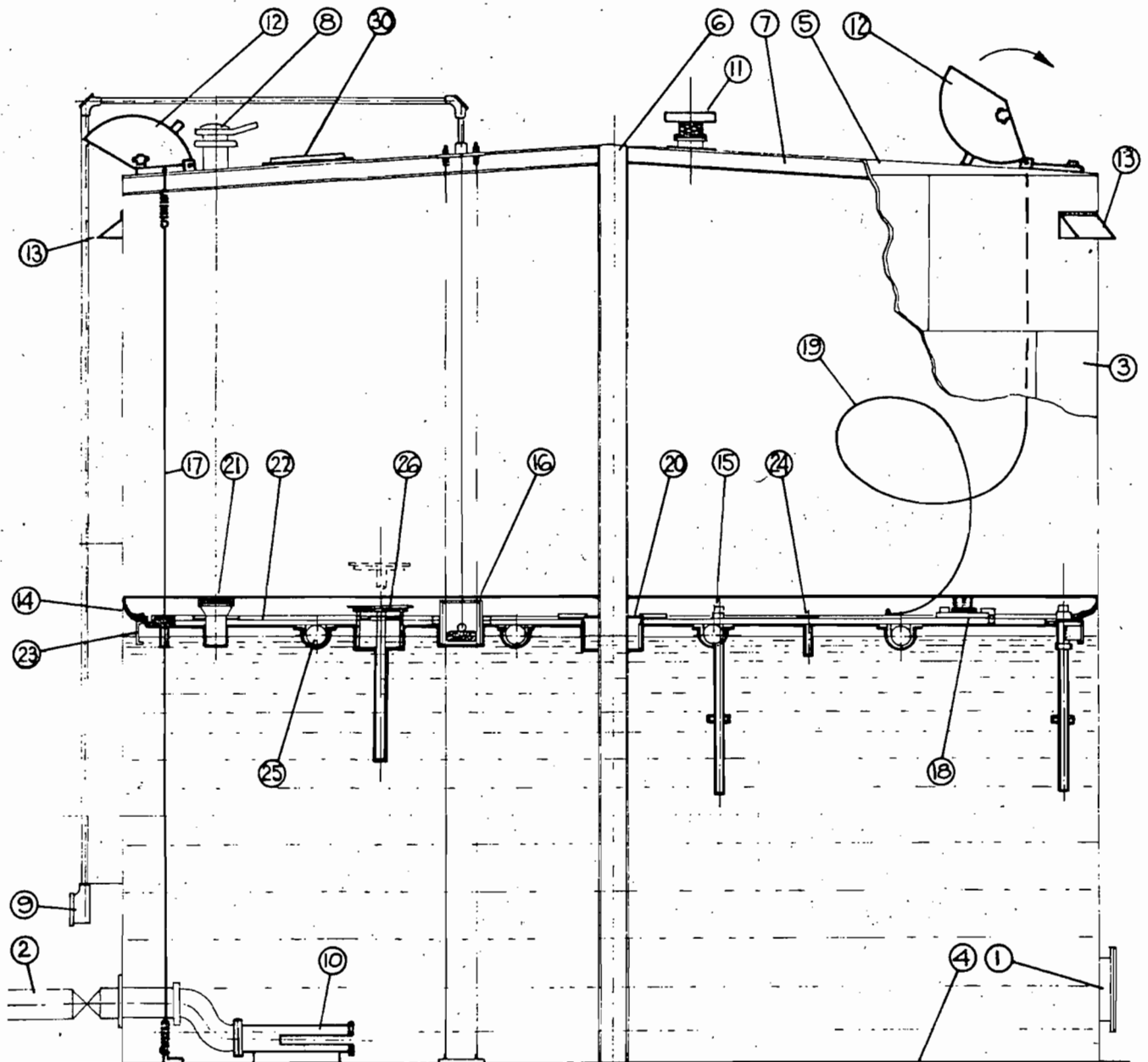


- |   |                                 |       |    |                       |       |
|---|---------------------------------|-------|----|-----------------------|-------|
| ③ | TANK SHELL                      |       | ②③ | PERIMETER SEGMENTS    | P. 3  |
| ④ | PERIPHERAL WIPER SEAL           | P. 7  | ②④ | DRAIN PIPES           | P. 6  |
| ⑤ | TOP ADJUSTABLE LEGS             | P. 3  | ②⑤ | FLOATATION PONTOONS   | P. 3  |
| ⑥ | FLOATWELL ASSEMBLY              | P. 9  | ②⑥ | BLEEDER VENT ASSEMBLY | P. 11 |
| ⑦ | HATCHWAY-PRESSURE/VACUUM RELIEF | P. 6  | ②⑦ | SHEETING              | P. 5  |
| ⑧ | COLUMN SEAL ASSEMBLY            | P. 6  | ②⑧ | LADDER PAD            | P. 13 |
| ⑨ | SAMPLING FUNNEL ASSEMBLY        | P. 10 | ②⑨ | WALKWAY               | P. 1  |
| ⑩ | CHANNELS                        | P. 4  |    |                       |       |

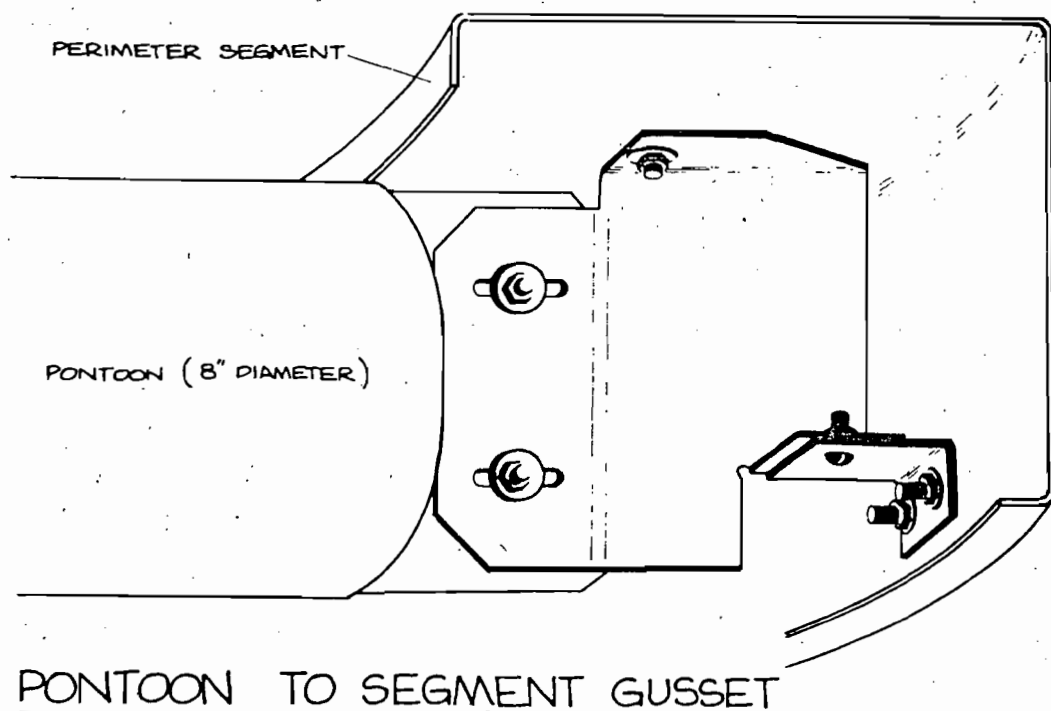
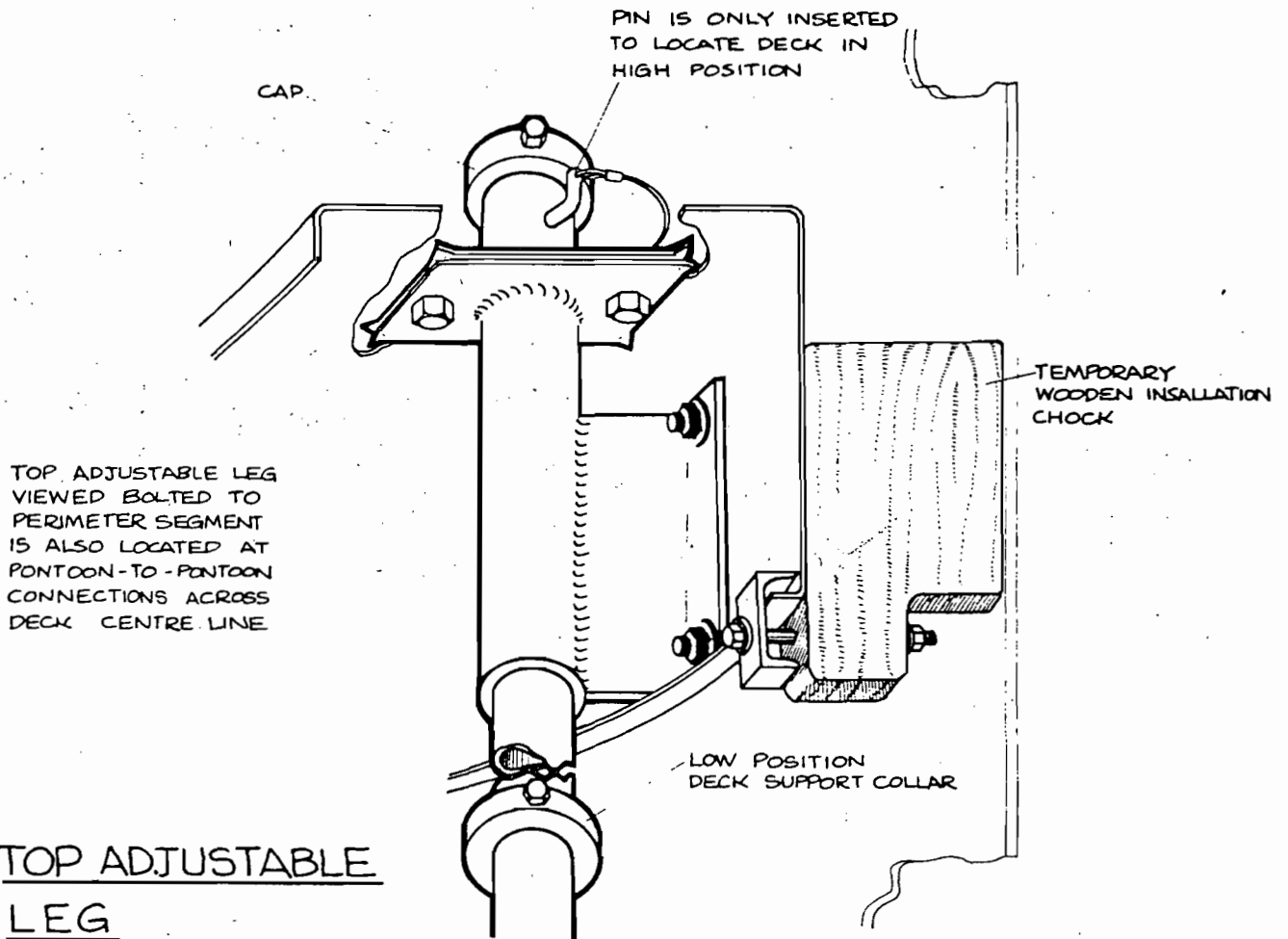
REFER TO PAGE 2 FOR SECTION A - A

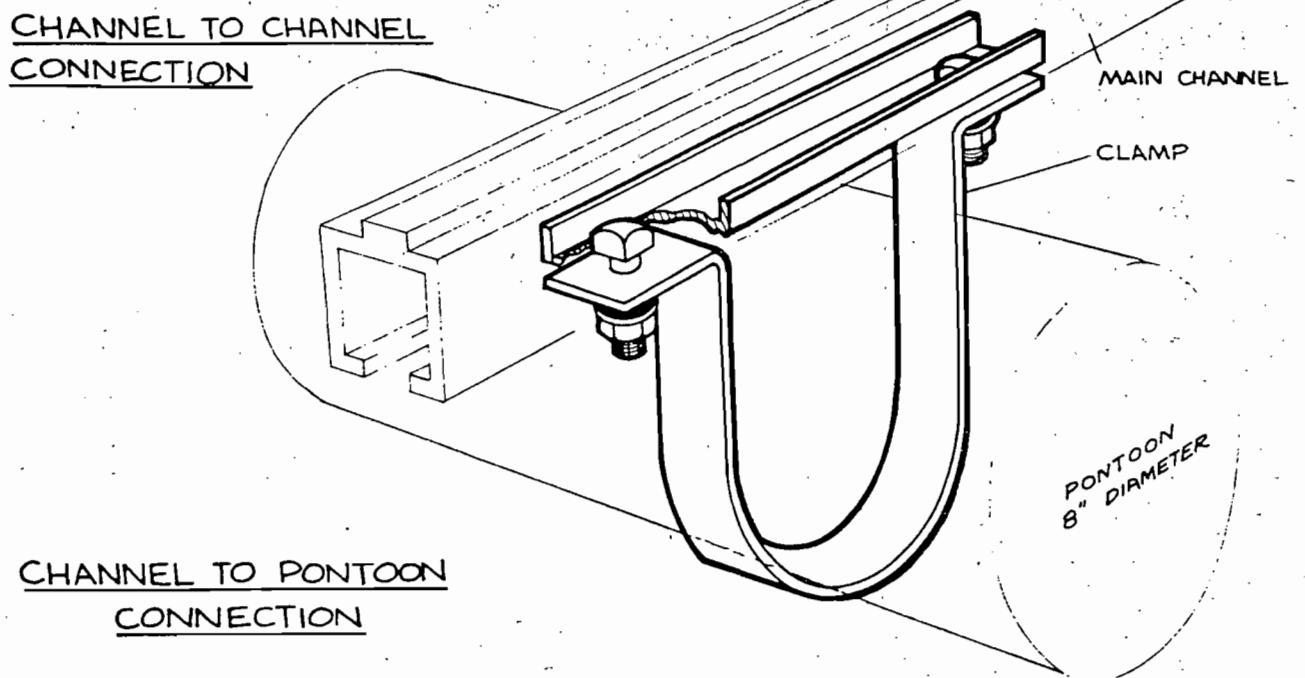
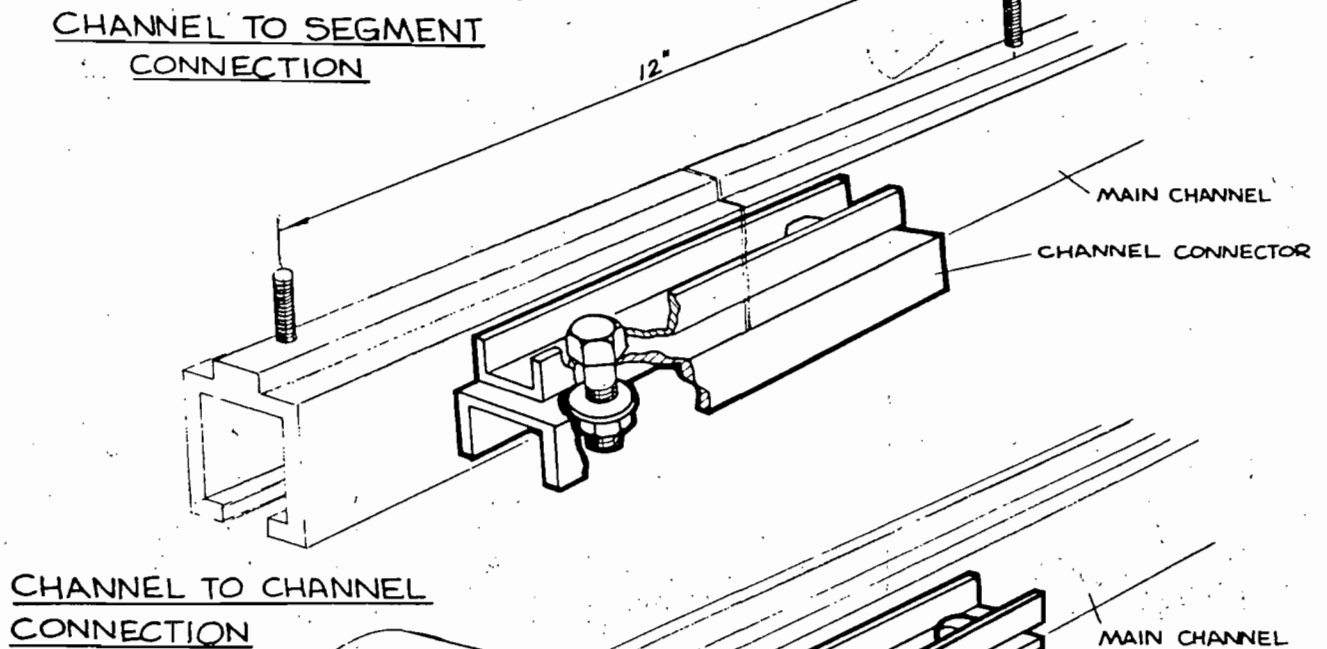
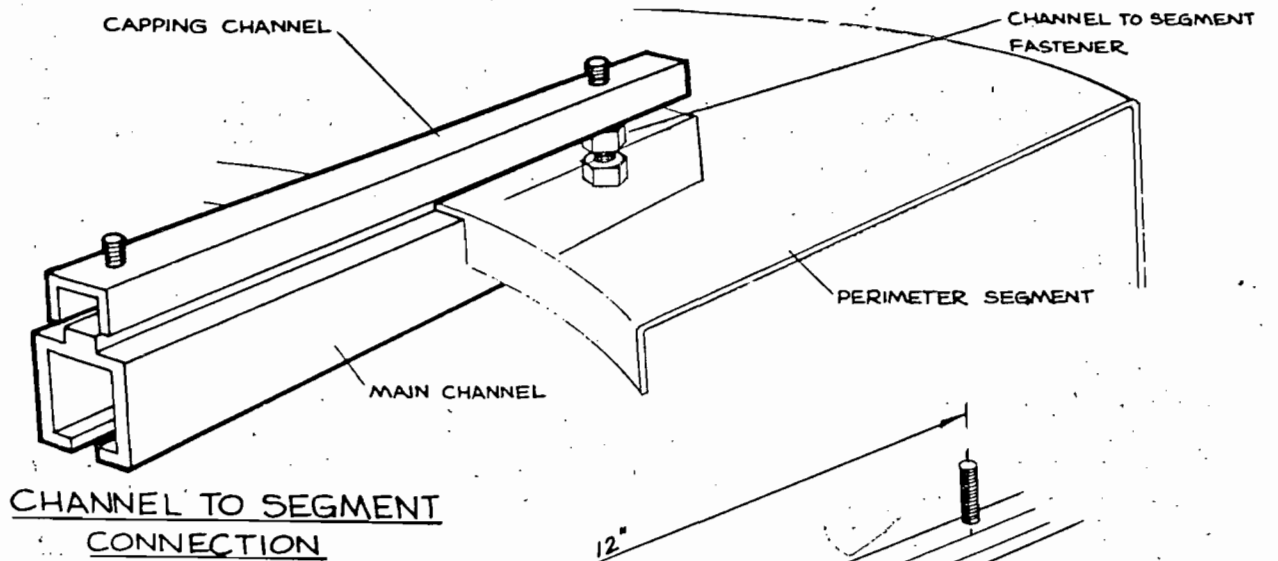
MAYFLOWER VAPOR SEAL  
 TYPICAL ELEVATION VIEW OF 40 FT. DIA.  
 SECTION A - A

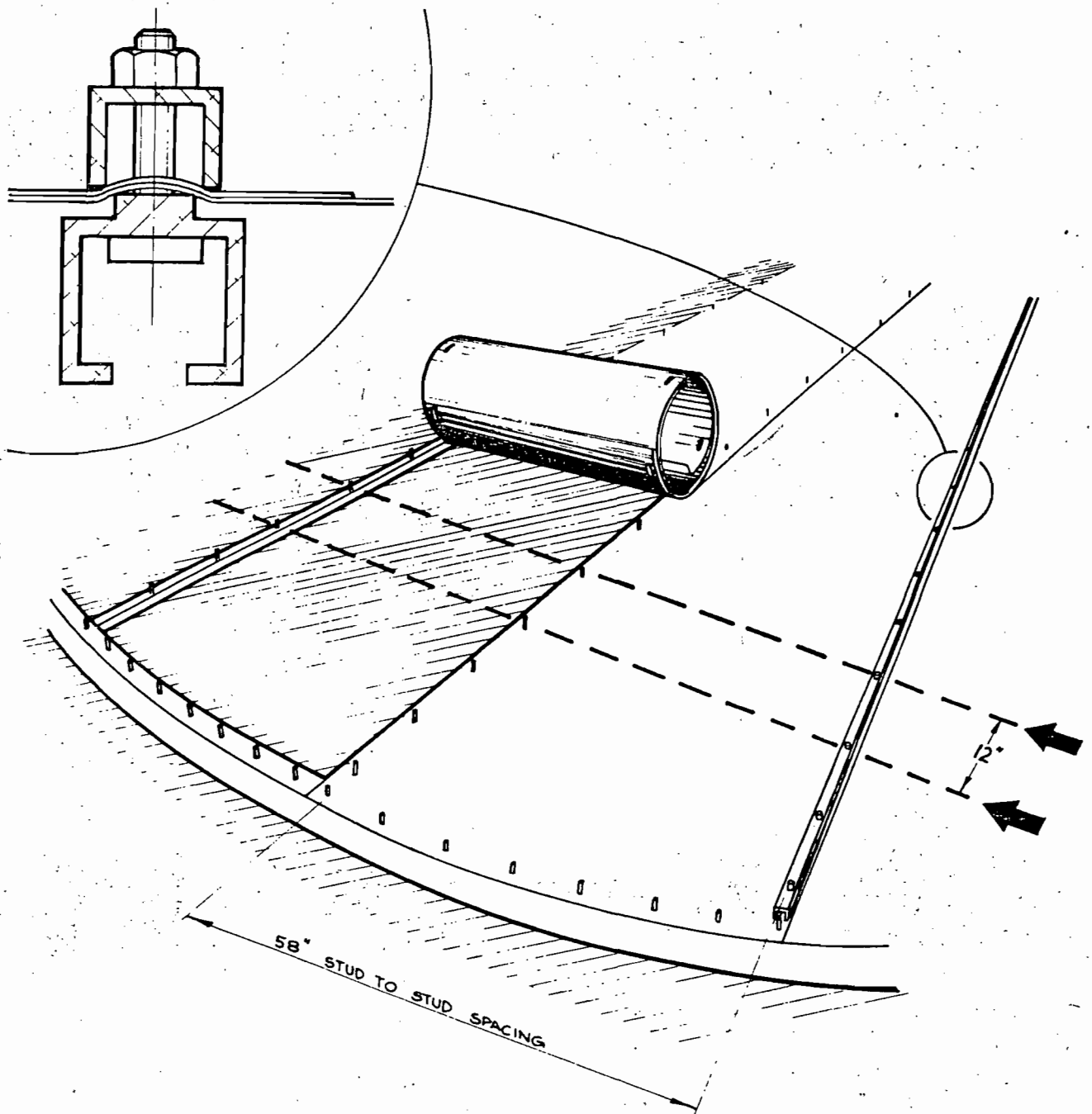
DWG. NO. MVS 101-1276



- |   |                                 |       |       |
|---|---------------------------------|-------|-------|
| ① | TANK MANHOLE                    |       |       |
| ② | TANK FILL-LINE                  |       |       |
| ③ | TANK SHELL                      |       |       |
| ④ | TANK FLOOR                      |       |       |
| ⑤ | TANK CONE ROOF                  |       |       |
| ⑥ | TANK ROOF SUPPORT COLUMN        |       |       |
| ⑦ | TANK ROOF RAFTER                |       |       |
| ⑧ | TANK GAUGE HATCH                |       |       |
| ⑨ | TANK AUTOMATIC TANK GAUGE       |       |       |
| ⑩ | FILL-LINE DIFFUSER              | P. 16 |       |
| ⑪ | MUSHROOM VENT                   | P. 15 |       |
| ⑫ | AIR SCOOP VENT                  | P. 14 |       |
| ⑬ | OVERFLOW VENT                   | P. 14 |       |
| ⑭ | PERIPHERAL WIPER SEAL           | P. 7  |       |
| ⑮ | TOP ADJUSTABLE LEGS             |       | P. 3  |
| ⑯ | FLOATWELL ASSEMBLY              |       | P. 9  |
| ⑰ | ANTI-ROTATION CABLE (2)         |       | P. 17 |
| ⑱ | HATCHWAY PRESSURE/VACUUM RELIEF |       | P. 6  |
| ⑲ | ANTI-STATIC CABLE (4)           |       | P. 2  |
| ⑳ | COLUMN SEAL ASSEMBLY            |       | P. 8  |
| ㉑ | SAMPLING FUNNEL ASSEMBLY        |       | P. 10 |
| ㉒ | CHANNELS                        |       | P. 4  |
| ㉓ | PERIMETER SEGMENTS              |       | P. 3  |
| ㉔ | DRAIN PIPE                      |       | P. 6  |
| ㉕ | FLOATATION PONTOONS             |       | P. 3  |
| ㉖ | BLEEDER VENT ASSEMBLY           |       | P. 11 |
| ㉗ | ROOF MANWAY                     |       | P. 18 |

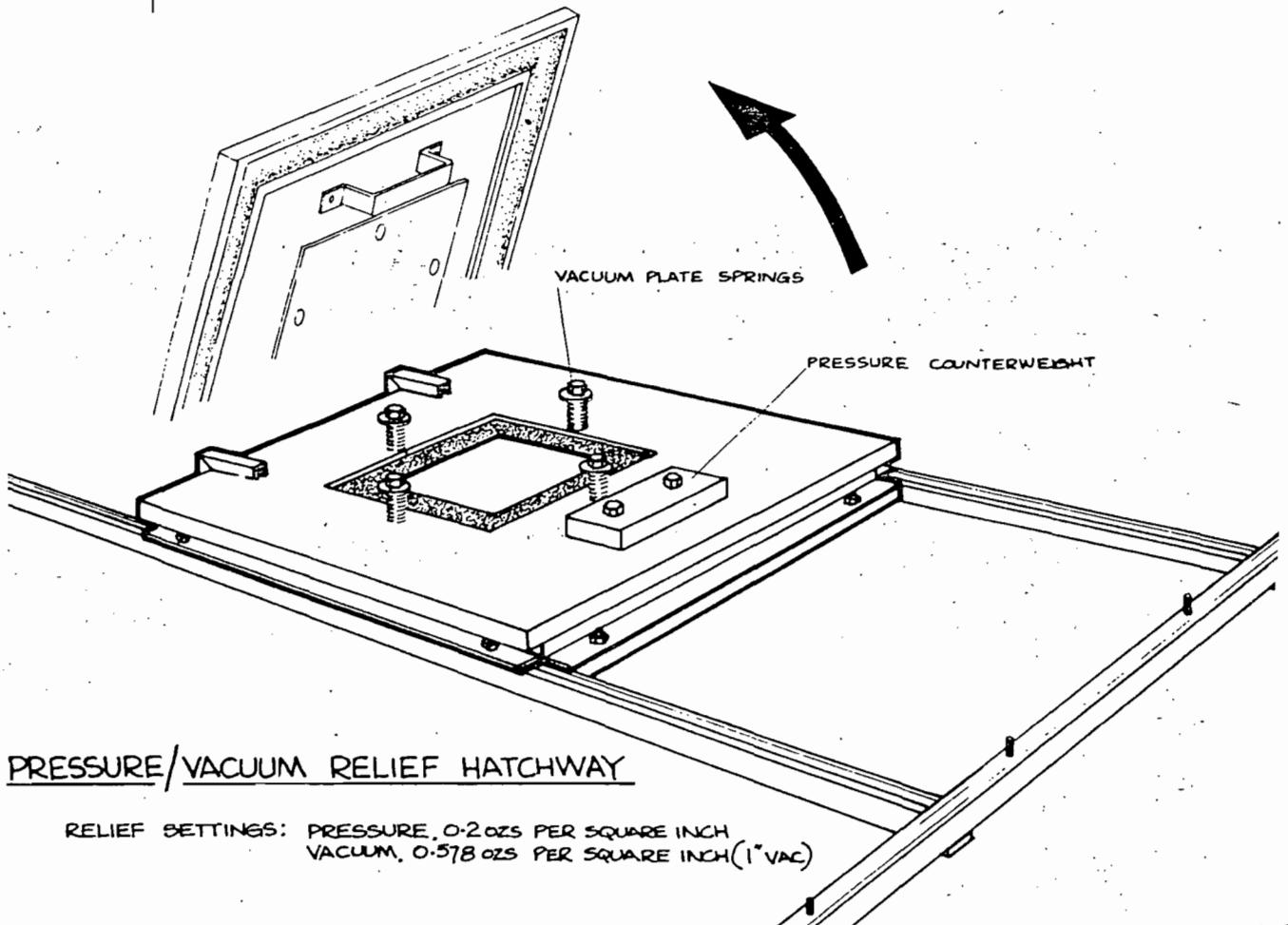
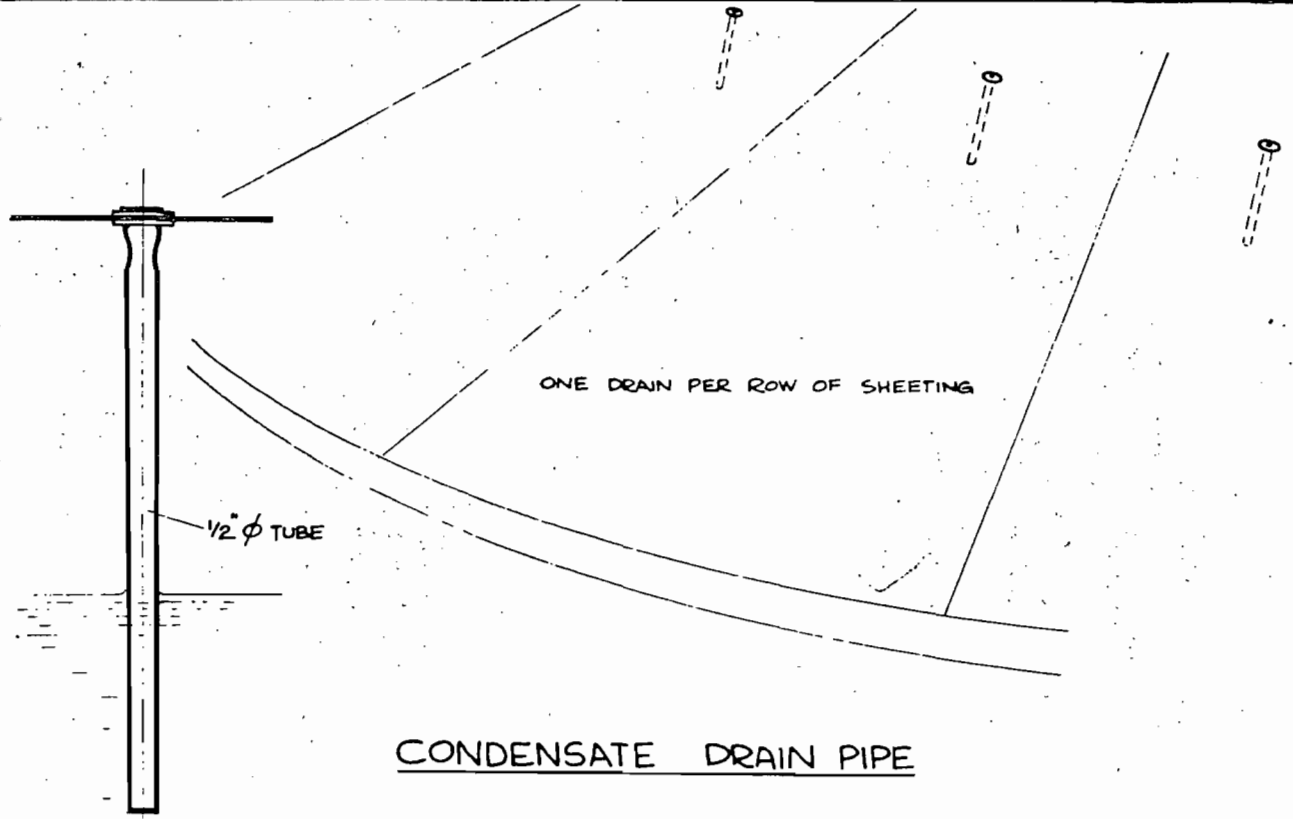


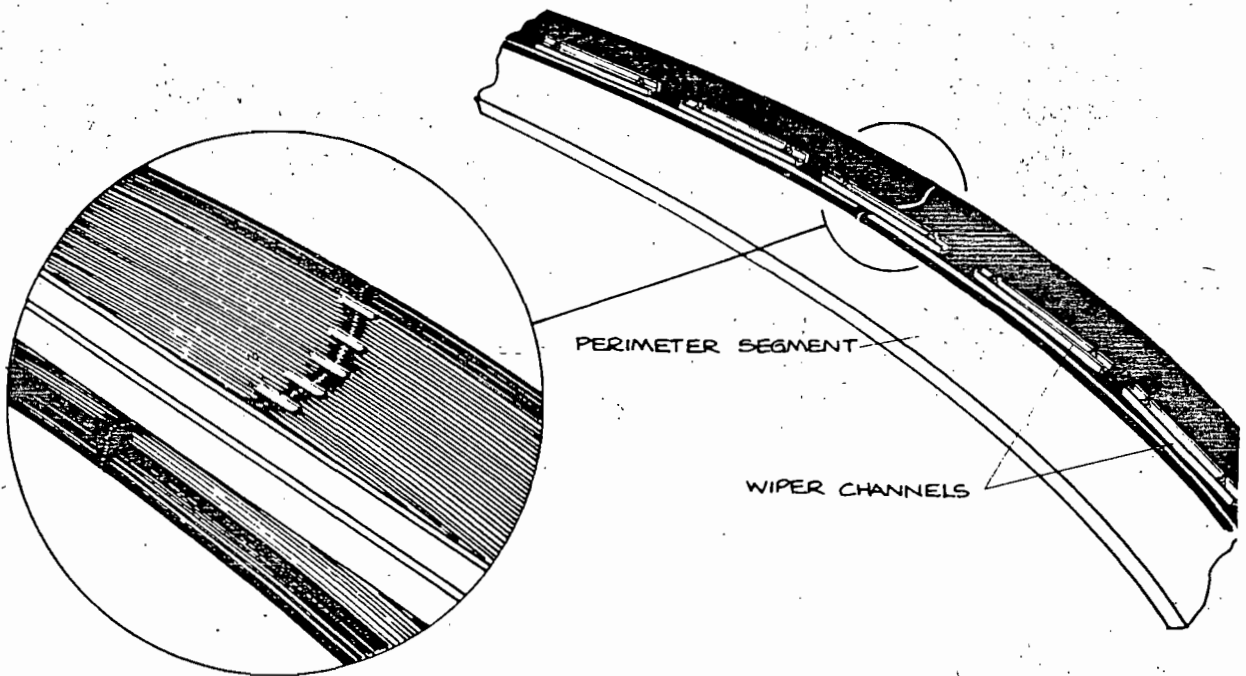
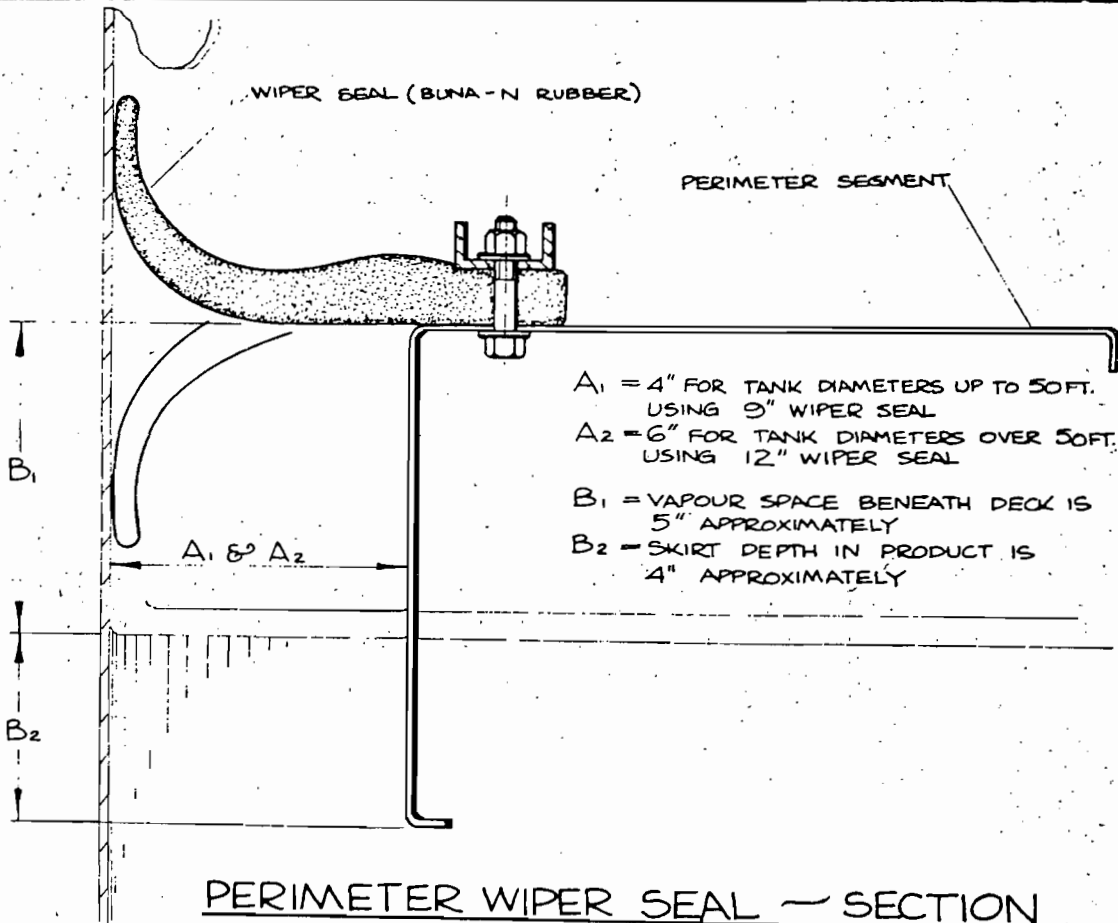


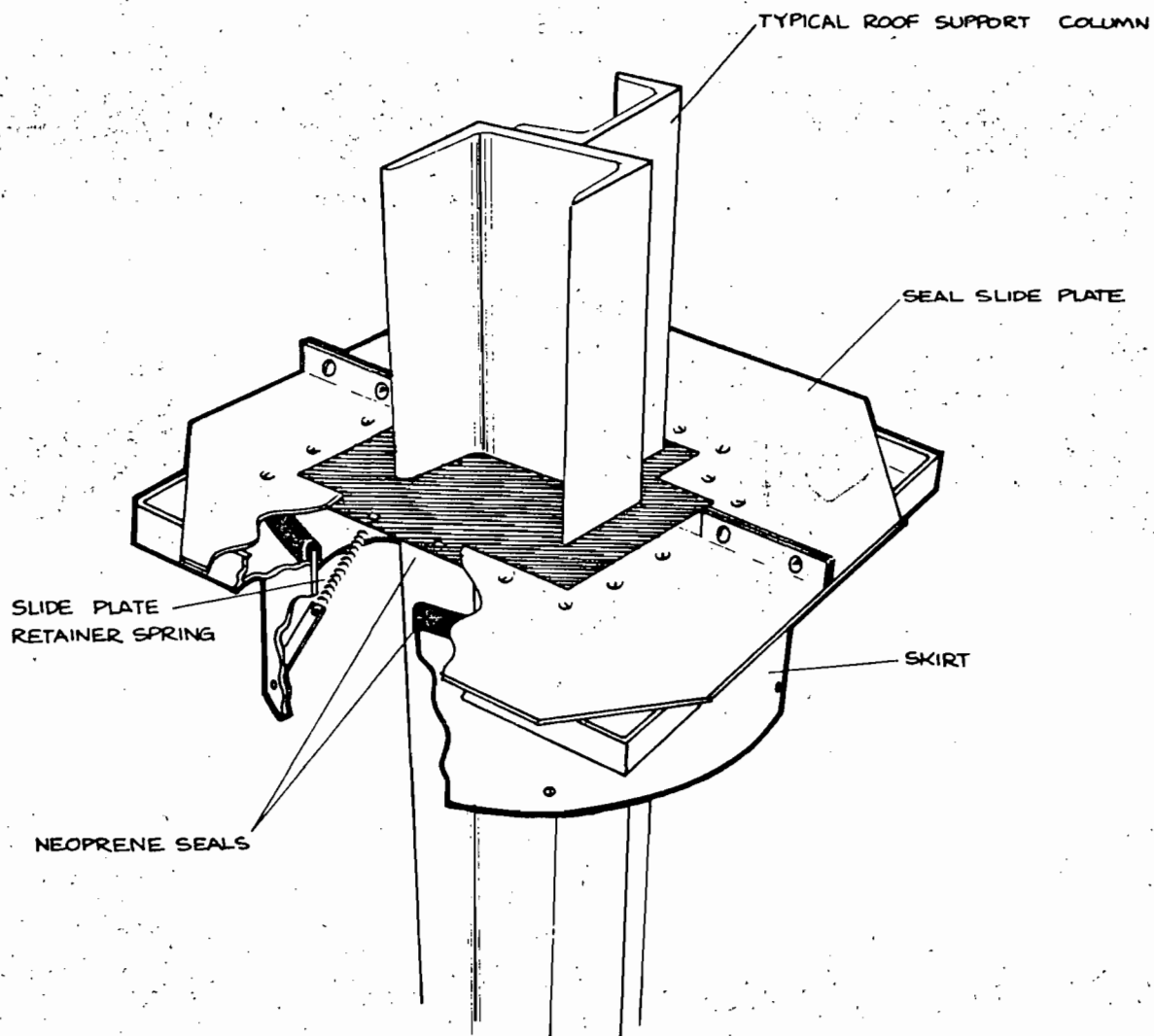


CENTRING OF CHANNELS (58") AND ACCURATE BOLT  
ALIGNMENT (12") ACROSS ENTIRE SURFACE OF DECK  
IS MOST IMPORTANT TO PERMIT QUICK INSTALLATION  
OF THE SHEETING

## SHEETING & CHANNELS





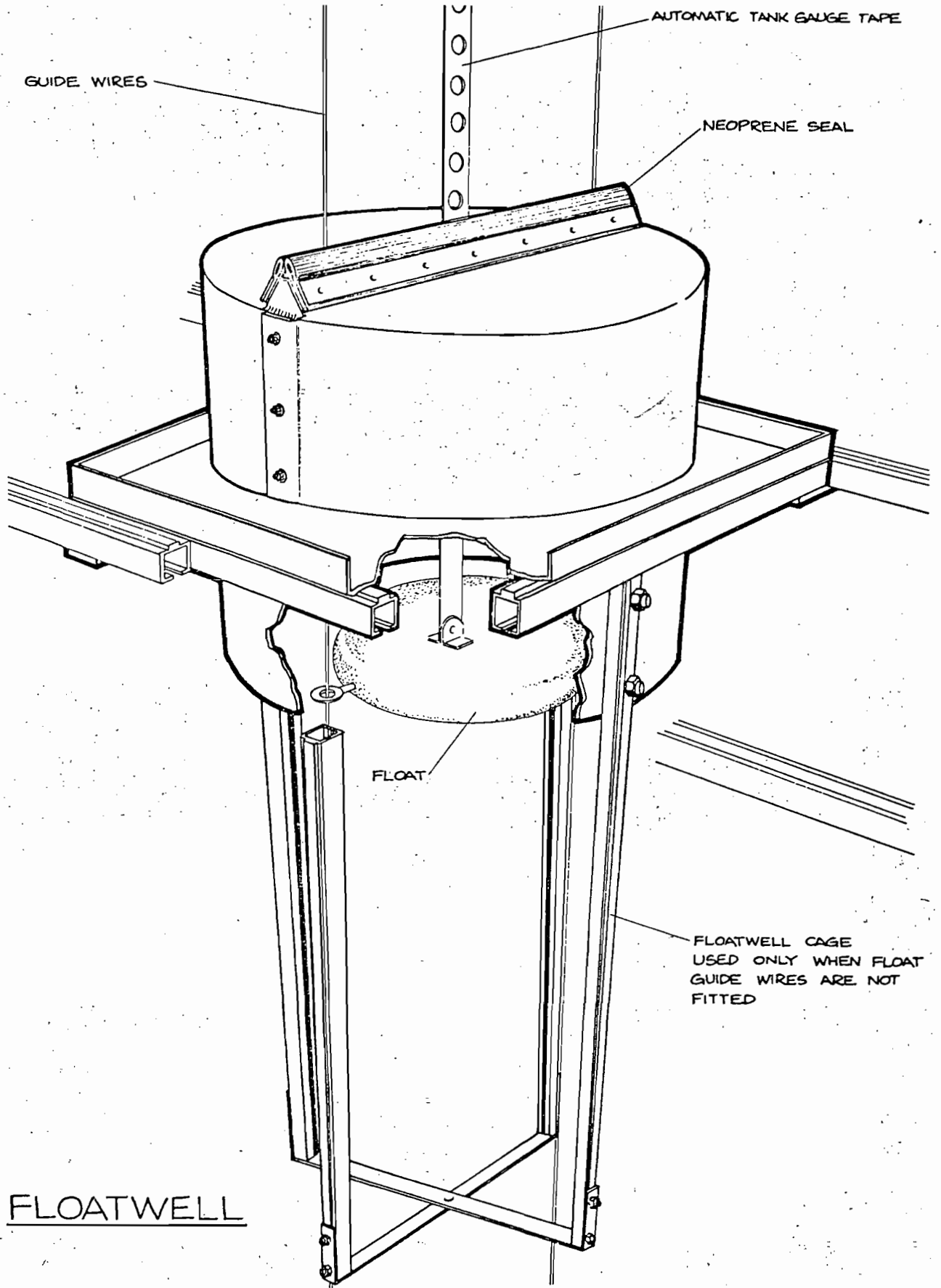


THE NOMINAL COLUMN SIZE IS THE MAXIMUM CROSS SECTION DIMENSION OF THE COLUMN CONFIGURATION, THE SKIRT DIAMETER BEING 12" GREATER.

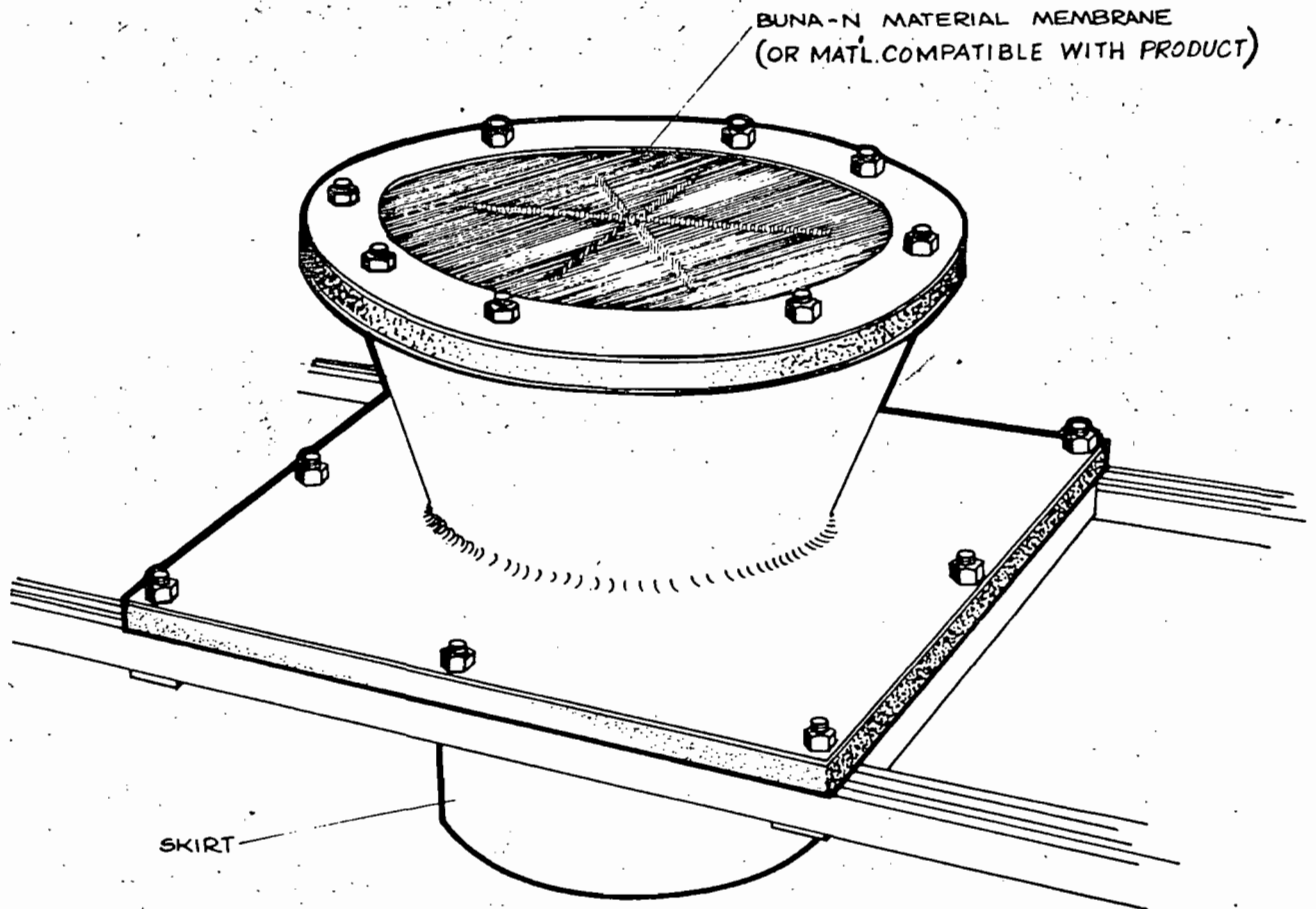
COLUMN SEAL NUMBER	SKIRT SIZE	NOMINAL COLUMN SIZE
CS - 001	20" (001)	8" Section
CS - 002	25" (006)	13" "
CS - 003	28" (009)	16" "
CS - 004	31" (012)	19" "

COLUMN SEAL

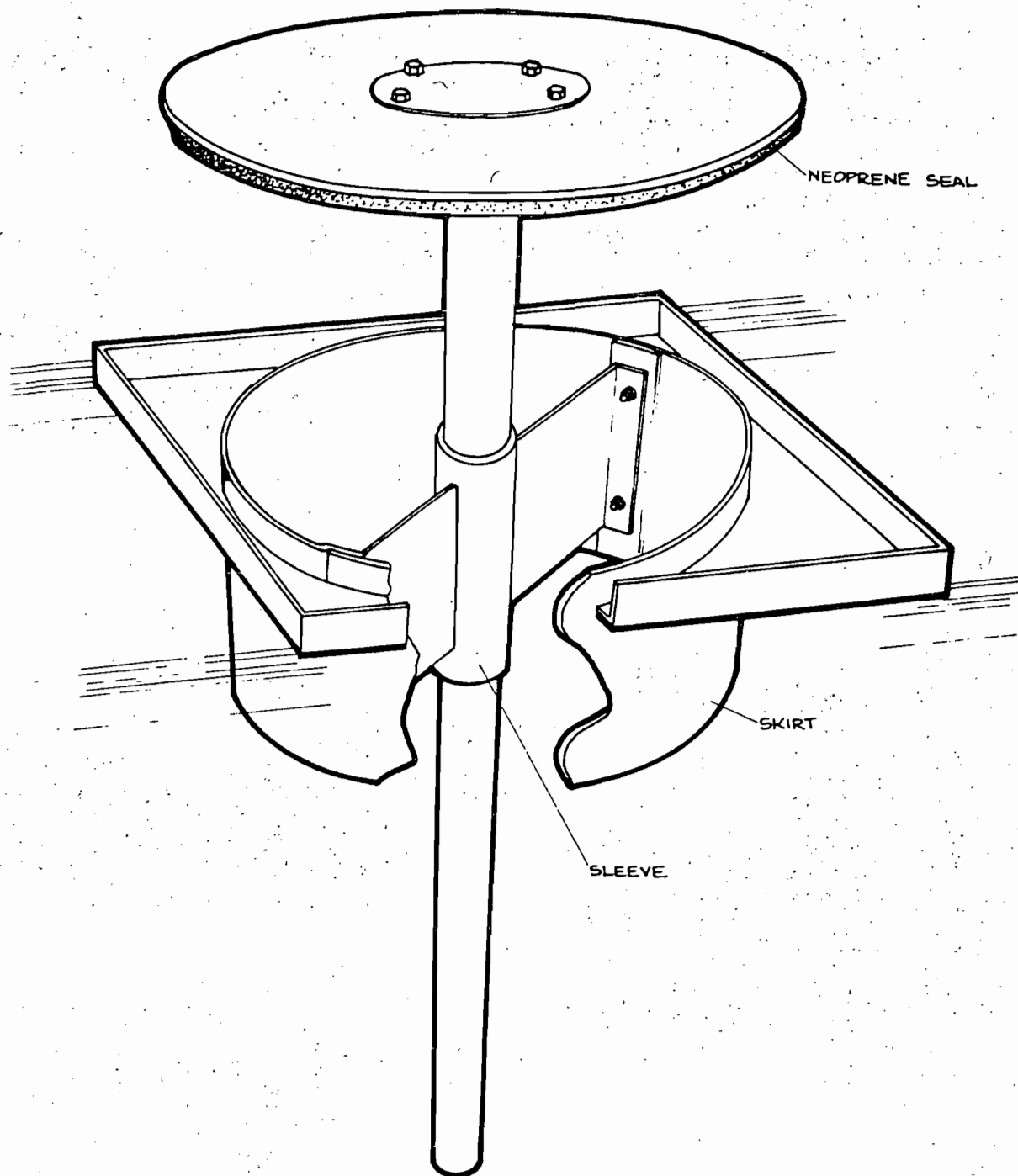




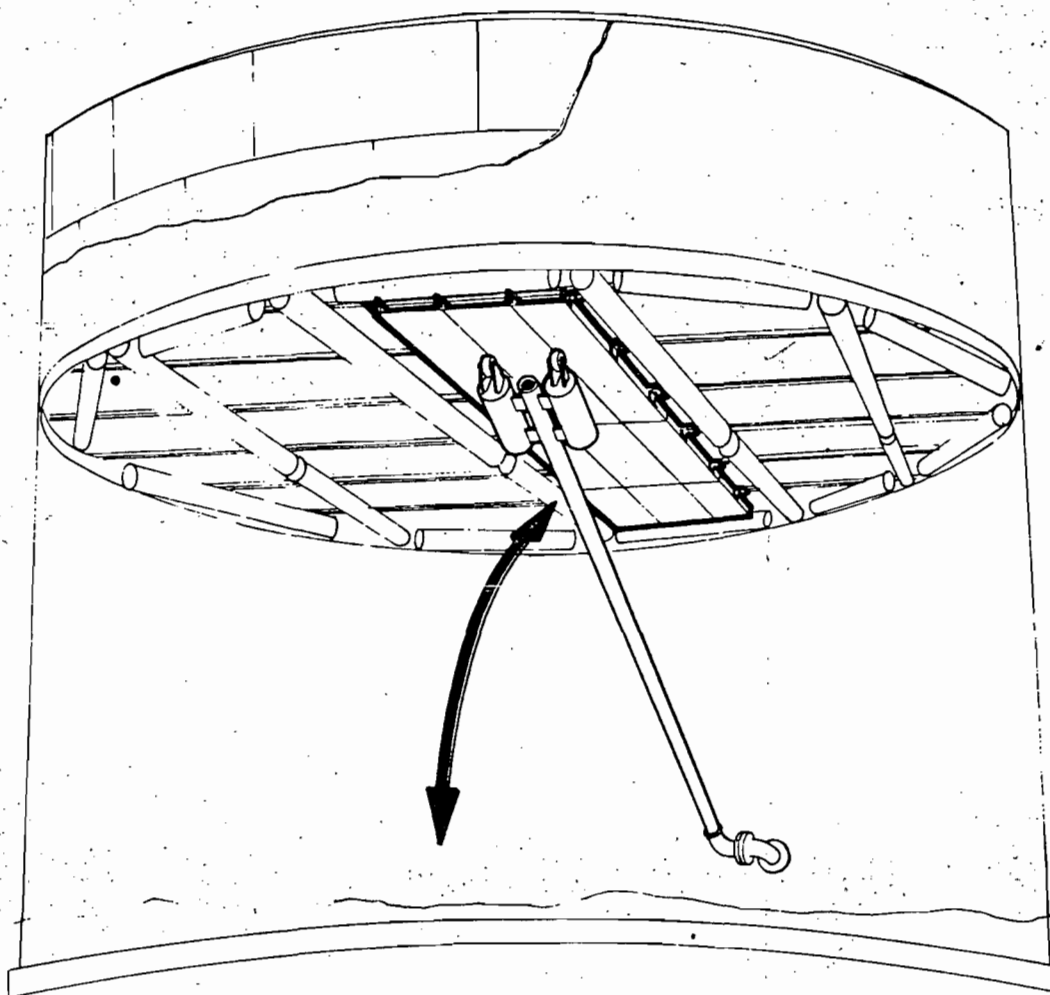
FLOATWELL



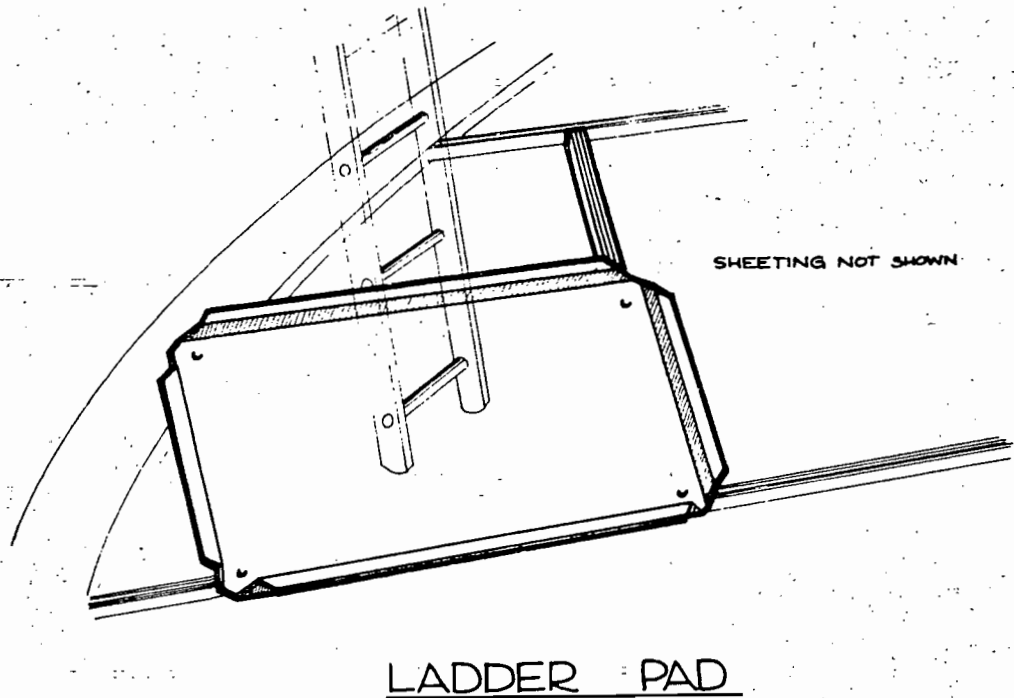
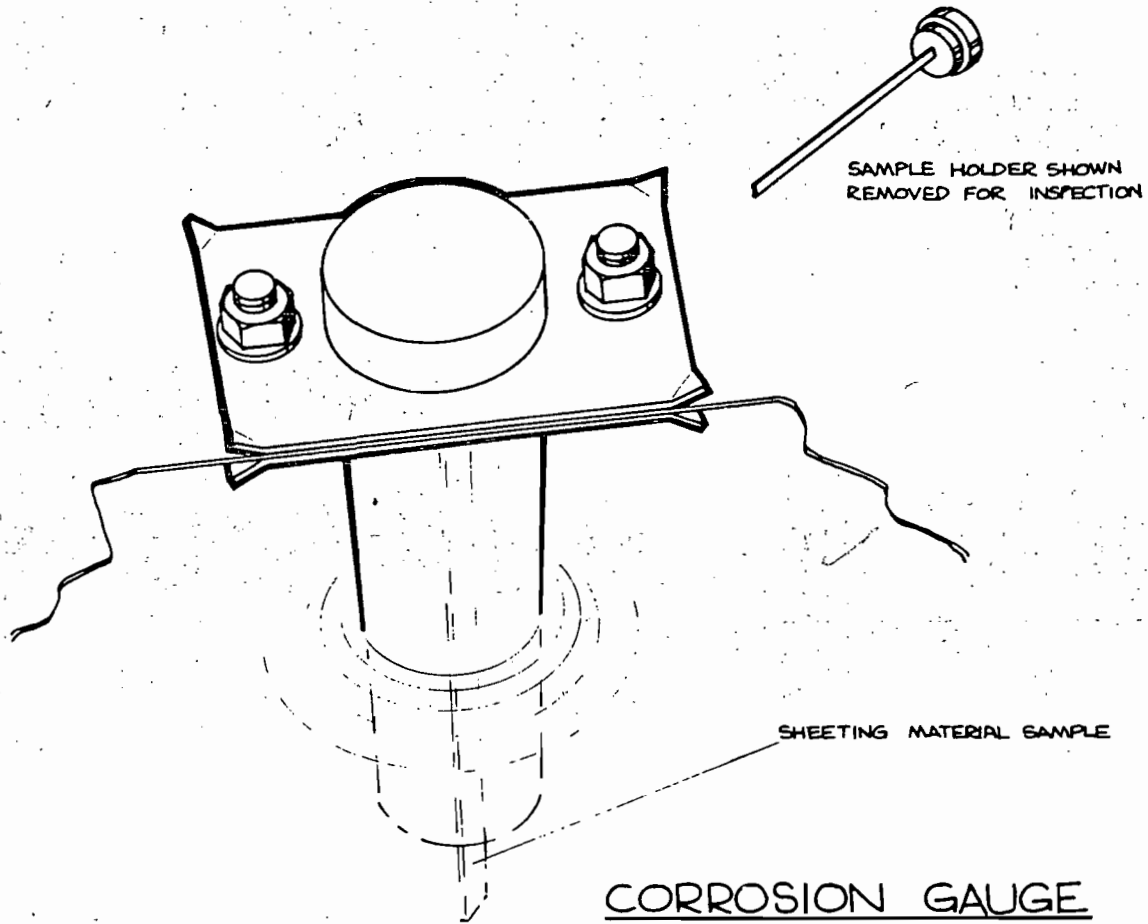
GAUGING / SAMPLING FUNNEL

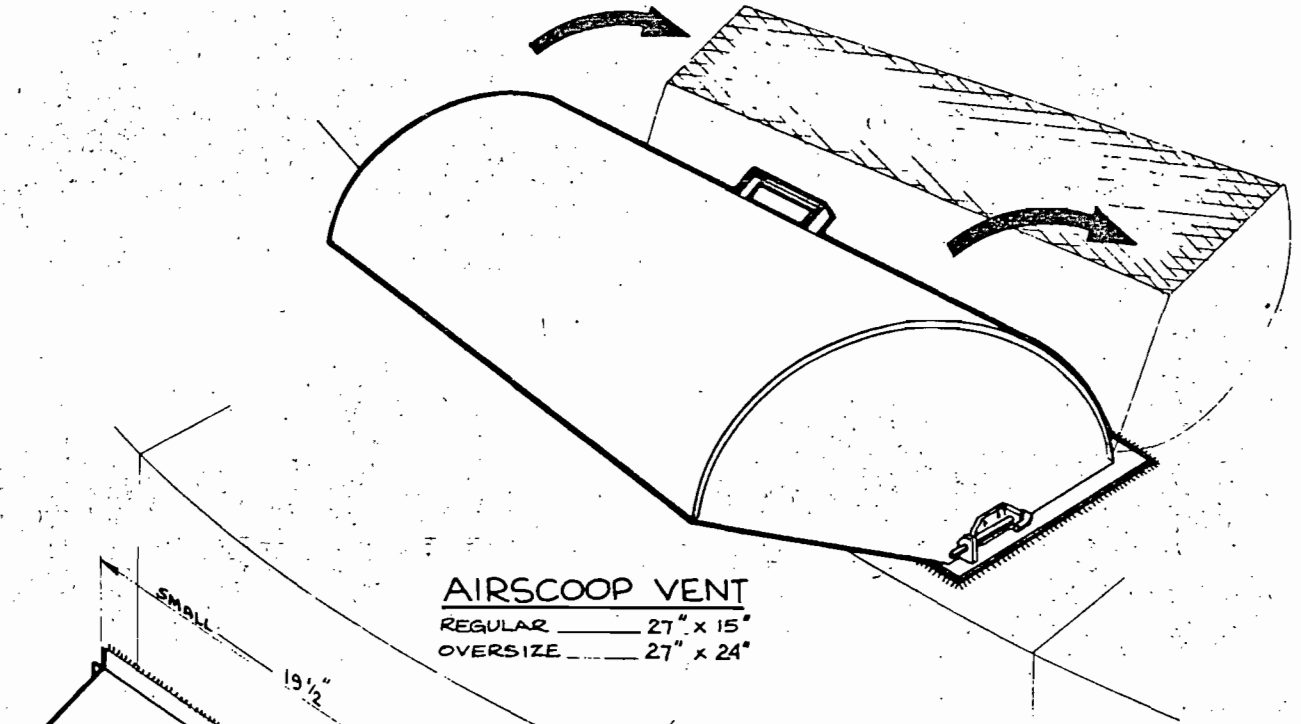


BLEEDER VENT



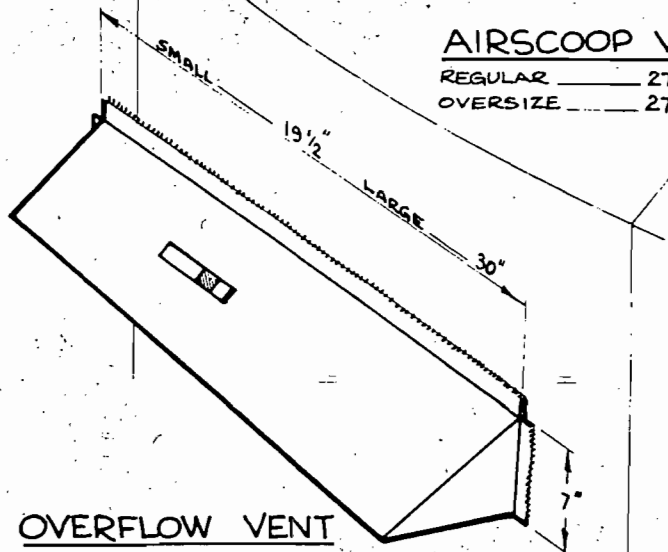
SWINGLINE TRACK ASSEMBLY  
FOR FLOATING SUCTION LINE





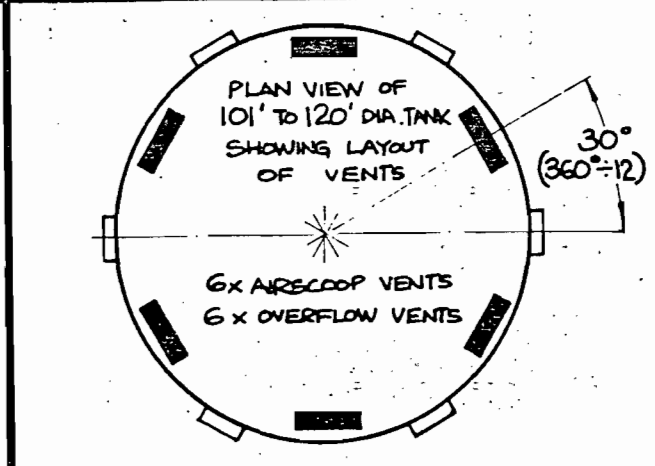
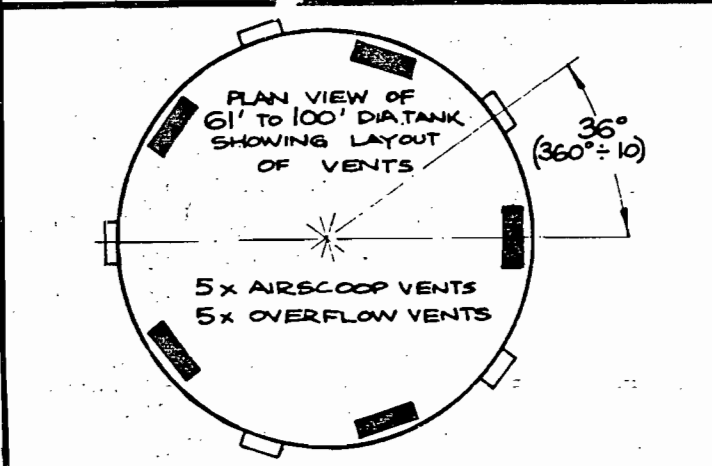
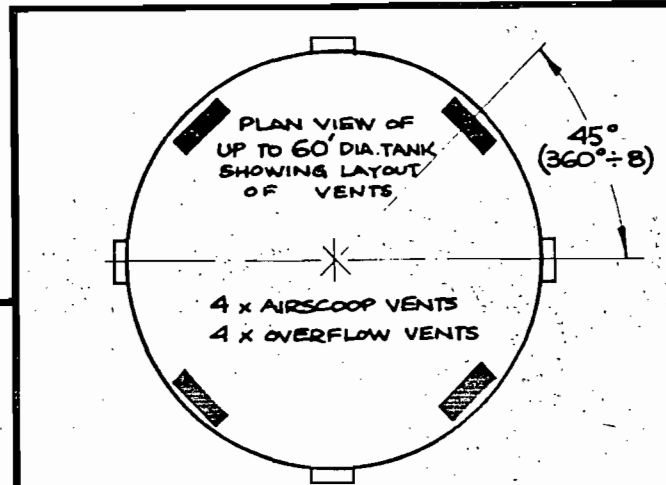
**AIRSCOOP VENT**

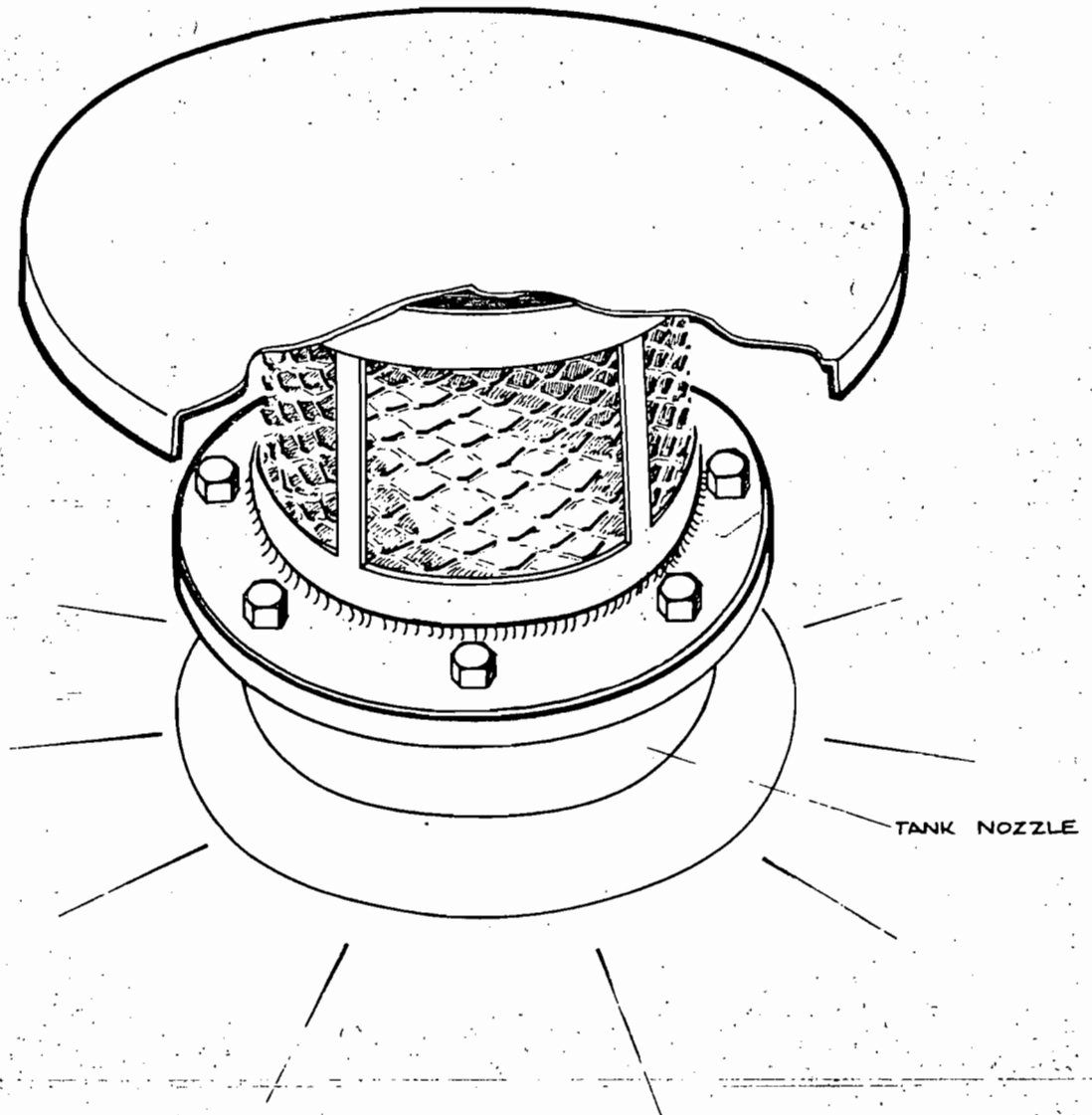
REGULAR — 27" x 15"  
OVERSIZE — 27" x 24"



**OVERFLOW VENT**

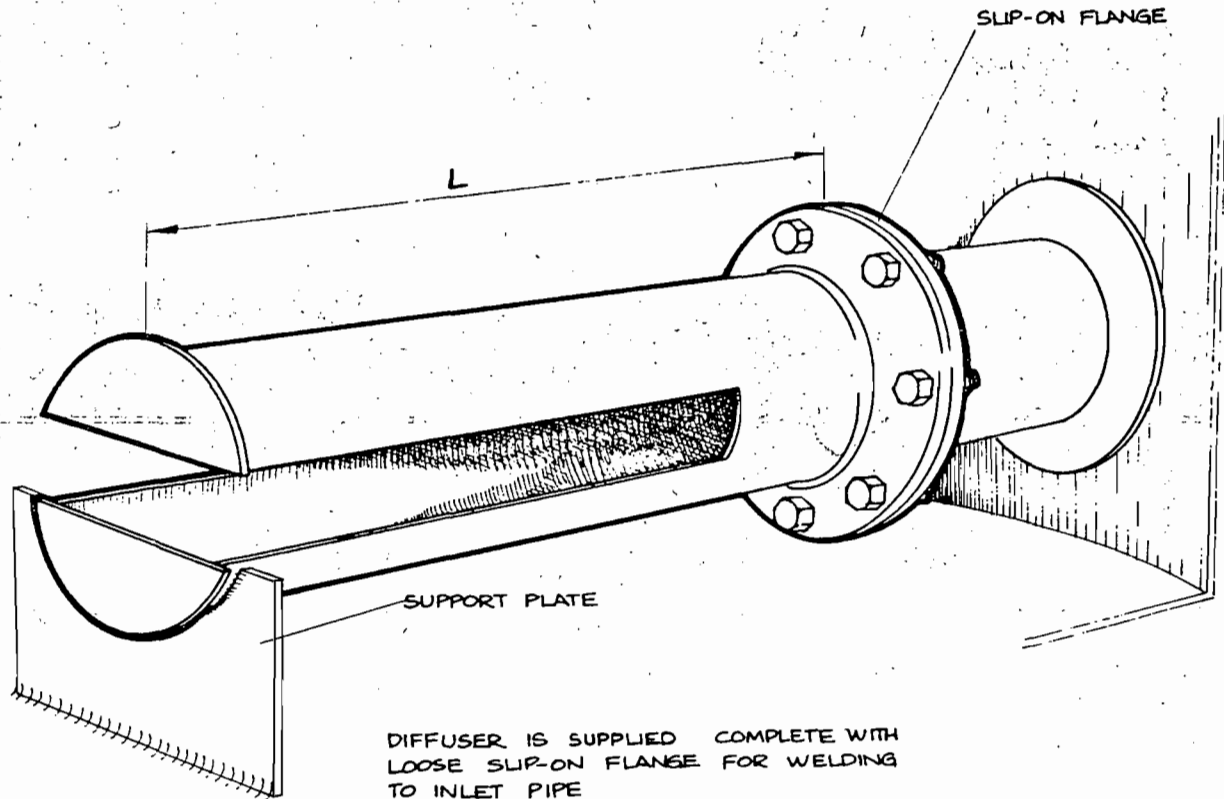
USE ONE OVERSIZE AIRSCOOP VENT ON EACH TANK FOR PERSONNEL ACCESS.  
USE SMALL OVERFLOW VENTS ON TANK DIAMETERS UP TO 50' AND LARGE OVERFLOW VENTS THEREAFTER.





MUSHROOM VENT NUMBER	NOMINAL PIPE BORE
MV - 001	6" (ASA or BS)
MV - 002	8" " "
MV - 003	10" " "
MV - 004	12" " "
MV - 005	18" " "
MV - 006	24" " "
MV - 007	36" " "

TANK ROOF MUSHROOM VENT

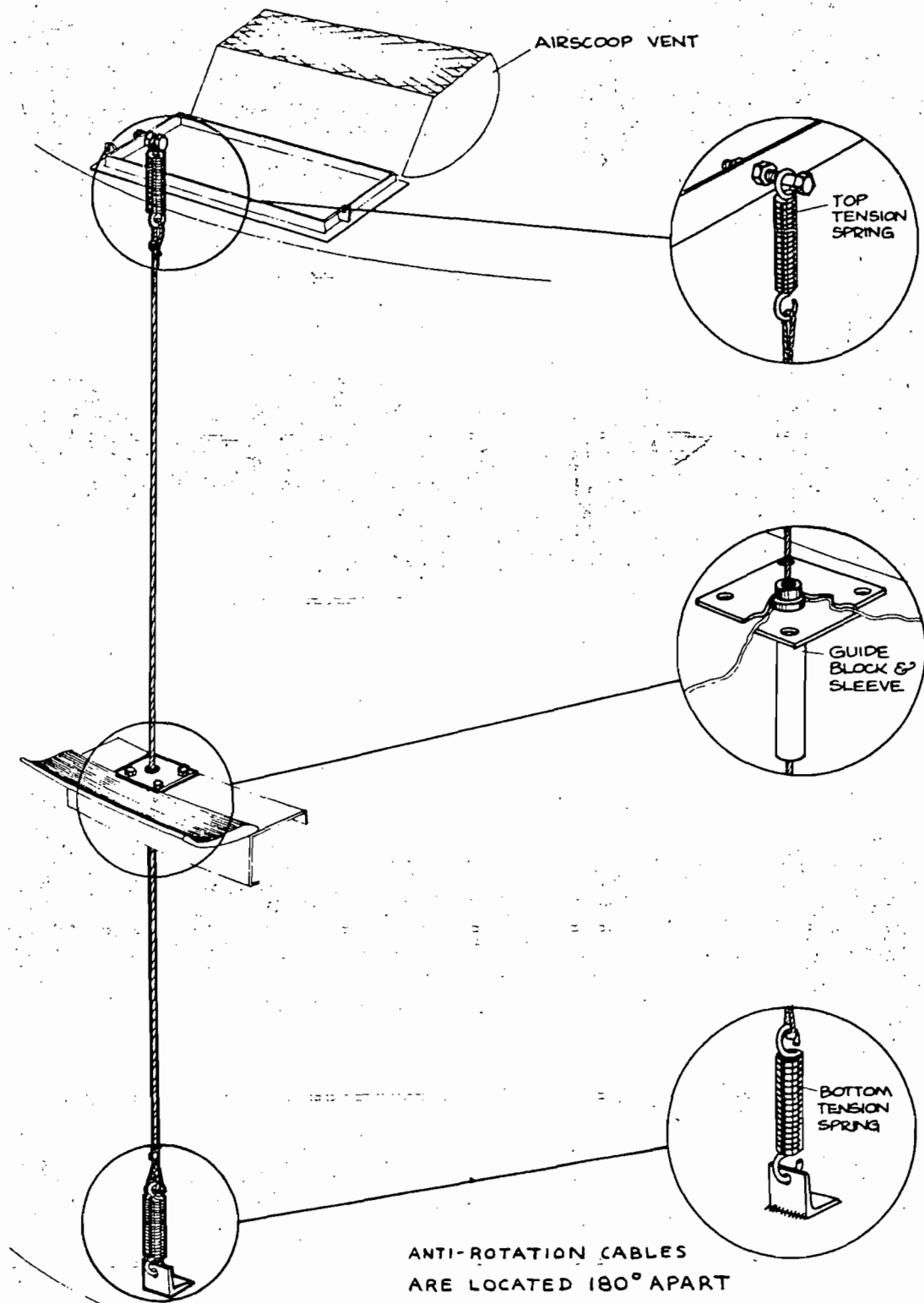


DIFFUSER IS SUPPLIED COMPLETE WITH  
 LOOSE SLIP-ON FLANGE FOR WELDING  
 TO INLET PIPE  
 SUPPORT PLATE TO BE SUPPLIED AND  
 FITTED IN THE FIELD

DIFFUSER NUMBER	NOMINAL PIPE BORE	'L'
DIFF - 001	3"	30"
DIFF - 002	4"	30"
DIFF - 003	6"	30"
DIFF - 004	8"	30"
DIFF - 005	10"	30"
DIFF - 006	12"	30"
DIFF - 007	14"	30"
DIFF - 008	16"	30"
DIFF - 009	18"	30"
DIFF - 010	20"	30"

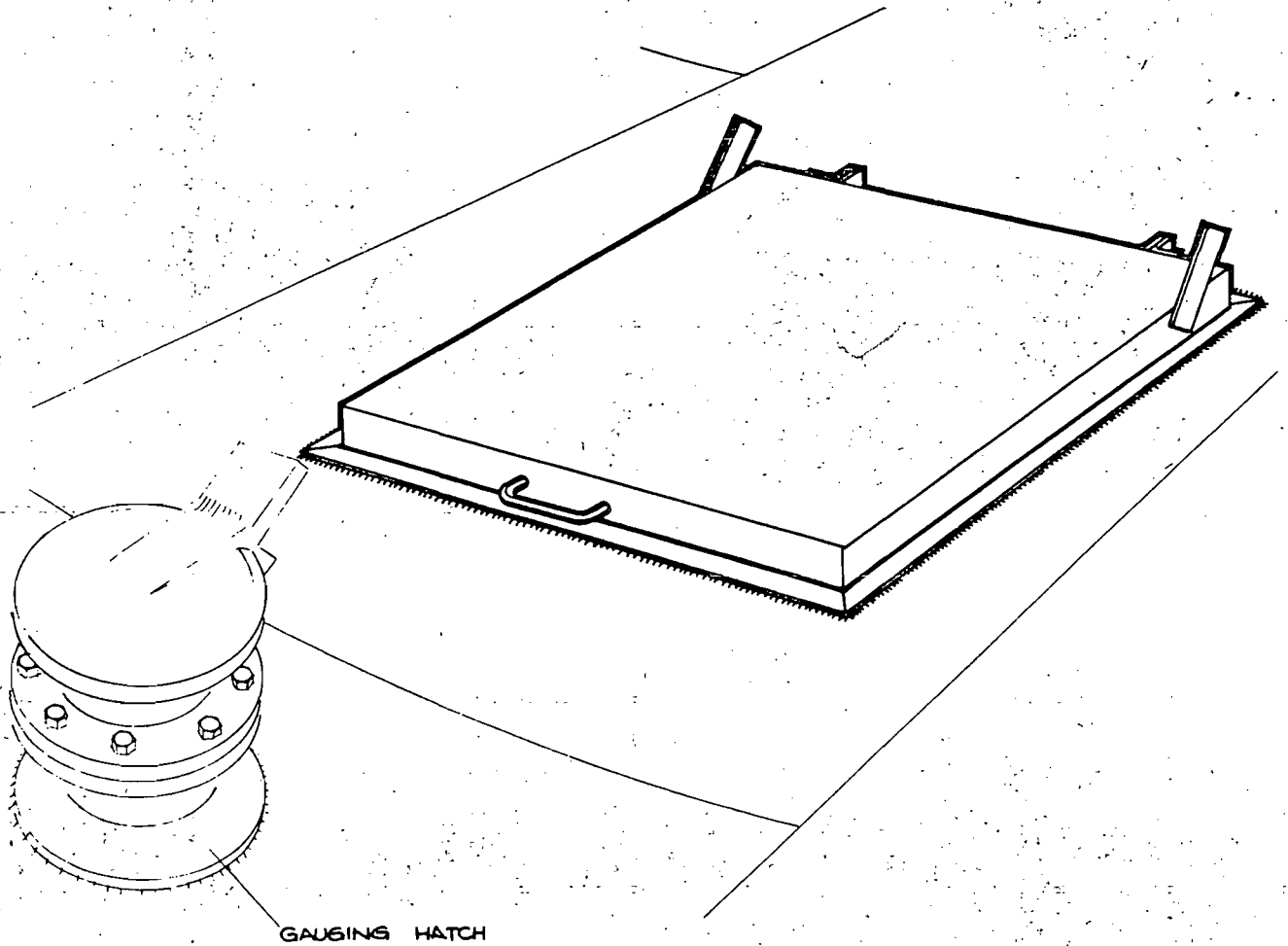
INLET DIFFUSER





ANTI-ROTATION CABLES  
ARE LOCATED 180° APART

ANTI-ROTATION CABLE (2-OFF)



ROOF MANWAY