



# Florida Department of Environmental Protection

Southwest District  
13051 N. Telecom Parkway  
Temple Terrace, Florida 33637-0926

Charlie Crist  
Governor

Jeff Kottkamp  
Lt. Governor

Michael W. Sole  
Secretary

## NOTICE OF FINAL TITLE V AIR OPERATION PERMIT

In the Matter of an  
Application for Permit Renewal by:


Mr. Todd DuPlessis  
President, A.S.A. MFG, Inc.  
14879 SW 111th Street  
Dunnellon, FL 34432-4734

FINAL Permit Project No.: 0830104-007-AV  
Marion County

Enclosed is the FINAL Permit, No. 0830104-007-AV. The purpose is for the renewal of the Title V Air Operation Permit. The facility is located in Marion County. This permit renewal is issued pursuant to Chapter 403, Florida Statutes (F.S.). There were no comments received from Region 4, U.S. EPA, regarding the PROPOSED Permit.

Any party to this order (permit renewal) has the right to seek judicial review of the permit renewal pursuant to Section 120.68, F.S., by the filing of a Notice of Appeal pursuant to Rule 9.110, Florida Rules of Appellate Procedure, with the Clerk of the Department in the Legal Office; and by filing a copy of the Notice of Appeal accompanied by the applicable filing fees with the appropriate District Court of Appeal. The Notice of Appeal must be filed within 30 (thirty) days from the date this Notice is filed with the Clerk of the Department.

Executed in Hillsborough County, Florida.

  
Mara Grace Nasca  
District Air Program Administrator  
Southwest District

MGN/ds

**CERTIFICATE OF SERVICE**

The undersigned duly designated deputy agency clerk hereby certifies that this NOTICE OF FINAL TITLE V AIR OPERATION PERMIT RENEWAL (including the FINAL Determination and the FINAL Permit) was sent by electronic mail (or a link to these documents made available electronically on a publicly accessible server) with received receipt before the close of business on 05-06-2010 to the person(s) listed:

Mr. Todd DuPlessis, A.S.A. MFG, Inc. (todd@asamfg.com)

Mr. William F. Karl, Environmental Consulting & Technology, Inc. (wkarl@ectinc.com)

Clerk Stamp

**FILING AND ACKNOWLEDGMENT FILED**, on this date, pursuant to §120.52(7), Florida Statutes, with the designated Department Clerk, receipt of which is hereby acknowledged.

  
(Clerk)

05-06-2010  
(Date)

Electronic copies sent to:

Barbara Friday, BAR [Barbara.Friday@dep.state.fl.us]

(posted to DARM\_COMMON drive by permit engineer for posting with Region 4, U.S. EPA)

## **FINAL Determination**

Title V Air Operation Permit Renewal  
FINAL Permit Project No.: 0830104-007-AV  
A.S.A. MFG, Inc.  
Page 1 of 1

### **I. Public Notice.**

An "INTENT TO ISSUE TITLE V AIR OPERATION PERMIT RENEWAL" to A.S.A. MFG, Inc. for the facility located at 14879 SW 111th Street, Dunnellon, Marion County was clerked on February 26, 2010. The "PUBLIC NOTICE OF INTENT TO ISSUE TITLE V AIR OPERATION PERMIT RENEWAL" was published in the Star-Banner on March 15, 2010. The DRAFT/PROPSOED Permit was available for public inspection at the permitting authority's office in Temple Terrace. Proof of publication of the "PUBLIC NOTICE OF INTENT TO ISSUE TITLE V AIR OPERATION PERMIT RENEWAL" was received on March 24, 2010.

### **II. Comment(s).**

No comments were received from the public during the 30-day public comment period or from USEPA during their 45-day review period of the PROPOSED Permit.

### **III. Conclusion.**

In conclusion, the permitting authority hereby issues the FINAL Permit.

A.S.A. MFG, Inc.  
Facility ID No.: 0830104  
Marion County

**Title V Air Operation Permit Renewal**

**FINAL Permit Project No.: 0830104-007-AV**

Permitting Authority:  
Florida Department of Environmental Protection  
Southwest District  
13051 N. Telecom Parkway  
Temple Terrace, Florida 33637-0926  
Telephone: 813/632-7600  
Fax: 813/632-7668

# Title V Air Operation Permit Renewal

FINAL Permit No.: 0830104-007-AV

## Table of Contents

<u>Section</u>	<u>Page Number</u>
Placard Page .....	1
I. Facility Information .....	2 - 3
A. Facility Description.	
B. Summary of Emissions Unit ID No(s). and Brief Description(s).	
C. Relevant Documents.	
II. Facility-wide Conditions .....	4 - 7
III. Emissions Unit(s) and Conditions	
A. EU 001 - Fiberglass Products Manufacturing .....	8 - 13



# Florida Department of Environmental Protection

Southwest District  
13051 N. Telecom Parkway  
Temple Terrace, Florida 33637-0926

Charlie Crist  
Governor

Jeff Kottkamp  
Lt. Governor

Michael W. Sole  
Secretary

**Permittee:**

A.S.A. MFG, Inc.  
14879 SW 111th Street  
Dunnellon, Florida 34432

**FINAL Permit No.:** 0830104-007-AV

**Facility ID No.:** 0830104

**SIC No(s).:** 30,3089

**Project:** Title V Air Operation Permit Renewal

The purpose of this permit is to renew the Title V Air Operation Permit. This existing facility is located at 14879 SW 111<sup>th</sup> Street, Dunnellon, Marion County; UTM Coordinates: Zone 17, 366.9 km East and 3215.7 km North; and, Latitude: 29°03'44" North and Longitude: 82°21' 59" West.

This Title V Air Operation Permit Renewal is issued under the provisions of Chapter 403, Florida Statutes (F.S.), and Florida Administrative Code (F.A.C.) Chapters 62-4, 62-210 and 62-213. The above named permittee is hereby authorized to operate the facility shown on the application and approved drawing(s), plans, and other documents, attached hereto or on file with the permitting authority, in accordance with the terms and conditions of this permit.


**Referenced attachments made a part of this permit:**

- APPENDIX I-1, List of Insignificant Emissions Units and/or Activities
- APPENDIX TV-6, TITLE V CONDITIONS (version dated 06/23/06 with AOR and Renewal updates 11/10/2008)
- ATTACHMENT 1, 40 CFR PART 63, SUBPART WWWW
- ATTACHMENT 2, Unified Emission Factors for Open Molding of Composites (version dated July 23, 2001)

**Effective Date:** April 30, 2010

**Renewal Application Due Date:** August 28, 2014

**Expiration Date:** April 30, 2015

  
Mara Grace Nasca  
District Air Program Administrator  
Southwest District

MGN/ds/pp

**Section I. Facility Information.**

**Subsection A. Facility Description.**

The facility is a fiberglass products manufacturing facility that produces fiberglass drains/sumps for swimming pools, fiberglass wall panels for water parks, and other miscellaneous fiberglass products. The facility is classified as a Title V facility and is subject to the requirements of 40 CFR 63, Subpart WWWW - National Emission Standards for Hazardous Air Pollutants: Reinforced Plastic Composites Production.

Also included in this permit are miscellaneous insignificant emissions units and/or activities.

Based on the Title V Air Operation Permit Renewal application received December 16, 2009, this facility is a major source of hazardous air pollutants (HAPs).

**Subsection B. Summary of Emissions Unit ID No(s). and Brief Description(s).**

<u>E.U. ID No.</u>	<u>Brief Description</u>
-001	Fiberglass Products Manufacturing

*Please reference the Permit No., Facility ID No., and appropriate Emissions Unit(s) ID No(s). on all correspondence, test report submittals, applications, etc.*

**Subsection C. Relevant Documents.**

The documents listed below are not a part of this permit; however, they are specifically related to this permitting action.

These documents are provided to the permittee for information purposes only:

Appendix A-1, Abbreviations, Acronyms, Citations, and Identification Numbers

Appendix H-1, Permit History

Statement of Basis

These documents are on file with the permitting authority:

Initial Title V Air Operation Permit issued July 31, 2005

Title V Air Operation Permit Administrative Correction issued September 30, 2005

Title V Air Operation Permit Revision issued August 18, 2007

Application for a Title V Air Operation Permit Renewal received December 16, 2009



## Section II. Facility-wide Conditions.

### The following conditions apply facility-wide:

1. APPENDIX TV-6, TITLE V CONDITIONS, is a part of this permit.

2. General Pollutant Emission Limiting Standards. Objectionable Odor Prohibited. No person shall cause, suffer, allow, or permit the discharge of air pollutants, which cause or contribute to an objectionable odor. Objectionable Odor is defined as, "Any odor present in the outdoor atmosphere which by itself or in combination with other odors, is or may be harmful or injurious to human health or welfare, which unreasonably interferes with the comfortable use and enjoyment of life or property, or which creates a nuisance."  
[Rules 62-296.320(2) and 62-210.200(181), F.A.C.; construction permit 0830104-003-AC]

3. General Particulate Emission Limiting Standards. General Visible Emissions Standard. Except for emissions units that are subject to a particulate matter or opacity limit set forth or established by rule and reflected by conditions in this permit, no person shall cause, let, permit, suffer or allow to be discharged into the atmosphere the emissions of air pollutants from any activity, the density of which is equal to or greater than that designated as Number 1 on the Ringelmann Chart (20 percent opacity). EPA Method 9 is the method of compliance pursuant to Chapter 62-297, F.A.C.  
[Rules 62-296.320(4)(b)1. & 4., F.A.C.]

4. Prevention of Accidental Releases (Section 112(r) of CAA).

a. The permittee shall submit its Risk Management Plan (RMP) to the Chemical Emergency Preparedness and Prevention Office (CEPPO) RMP Reporting Center when, and if, such requirement becomes applicable. Any Risk Management Plans, original submittals, revisions or updates to submittals, should be sent to:

RMP Reporting Center  
Post Office Box 10162  
Fairfax, VA 22038  
Telephone: 703/227-7650

and,

b. The permittee shall submit to the permitting authority Title V certification forms or a compliance schedule in accordance with Rule 62-213.440(2), F.A.C.

[40 CFR 68]

5. Insignificant Emissions Units and/or Activities. Appendix I-1, List of Insignificant Emissions Units and/or Activities, is a part of this permit.  
[Rules 62-213.440(1), 62-213.430(6) and 62-4.040(1)(b), F.A.C.]

6. General Pollutant Emission Limiting Standards. Volatile Organic Compounds (VOC) Emissions or Organic Solvents (OS) Emissions. The permittee shall allow no person to store, pump, handle, process, load, unload or use in any process or installation, volatile organic compounds (VOC) or organic solvents (OS) without applying known and existing vapor emission control devices or systems deemed necessary and ordered by the Department. The permittee shall comply with the following:

- A. Resin/gel coating activities shall be conducted inside the manufactured/shop building, with the exception of manual touch-up activities.
- B. All equipment, pipes, hoses, lids, fittings, etc., shall be operated/maintained in such a manner as to minimize leaks, fugitive emissions, and spills of solvent materials.
- C. All solvent from solvent washings (equipment clean-up) shall be directed into containers that prevent evaporation in the atmosphere.
- D. All materials containing VOC/OS's shall be stored in closed containers and/or in small automatic closing safety cans.
- E. The two axial flow exhaust fans in the three sided booth shall have no device that restricts the exhaust exiting the stacks, i.e., rain cap.
- F. The wall mounted exhaust fans located on both ends of the manufactured/shop building shall have no device that restricts the exhaust exiting the stack, i.e., rain cap.
- G. An exhaust fan shall be operating during any time materials containing VOCs and/or Styrene is being used in the section (area of the building) being exhausted by that fan. The fan shall remain operating for at least 1 hour after usage of such material(s).
- H. All exhaust fan intakes shall not be obstructed, except for fiber filters that are used.
- I. Tightly cover or close all VOC containers when they are not in use.
- J. Prevent excessive air turbulence across exposed VOC/OS.
- K. Immediately confine and clean up VOC/OS spills and make sure wastes are placed in closed containers for reuse, recycling or proper disposal.

[Rule 62-296.320(1)(a), F.A.C.; Construction Permit 0830104-003-AC]

7. Emissions of Unconfined Particulate Matter. Pursuant to Rules 62-296.320(4)(c)1., 3. & 4., F.A.C., reasonable precautions to prevent emissions of unconfined particulate matter at this facility include the following requirements (see Condition 57. of APPENDIX TV-6, TITLE V CONDITIONS):

- A. Application of water to paved and unpaved areas accommodating vehicular traffic, as necessary.
- B. Daily remove particulate matter from buildings or work areas. The collected particulate shall be transferred to a trash bin in a manner so that it will not become airborne.
- C. Enclosure or covering of activities or equipment where necessary.
- D. Filters shall be used on all the three sided booth exhaust fans that vent air to the atmosphere. The filters shall be changed (replaced) as necessary to ensure proper ventilation.

- E. Unconfined particulate emissions from trimming and other similar activities such as: cutting, shaping, and sanding operations performed by hand tools and tabletop equipment shall be controlled by normal "good housekeeping" procedures.

[Rule 62-296.320(4)(c)2., F.A.C.; Construction Permit 0830104-003-AC]

8. As an indicator that the precautions to control unconfined particulate emission are adequate, visible emissions from each building, shed, and at the property line should not exceed 5% opacity. If this value is exceeded it will not be considered a violation in and of itself, but may be a violation of the precautions stated above and serve as justification to the Department to require additional controls or work practices.

[Rule 62-4.070(3), F.A.C.; Construction Permit 0830104-003-AC]

9. Special Compliance Tests. - When the Department, after investigation, has good reason (such as complaints, increased visible emissions or questionable maintenance of control equipment) to believe that any applicable emission standard contained in a Department rule or in a permit issued pursuant to those rules is being violated, it shall require the owner or operator of the emissions unit to conduct compliance tests which identify the nature and quantity of pollutant emissions from the emissions unit and to provide a report on the results of said tests to the Department.

[Rule 62-297.310(7)(b), F.A.C.]

10. When appropriate, any recording, monitoring, or reporting requirements that are time-specific shall be in accordance with the effective date of the permit, which defines day one.

[Rule 62-213.440, F.A.C.]

11. Statement of Compliance. The annual statement of compliance pursuant to Rule 62-213.440(3)(a)2., F.A.C., shall be submitted to the Department and EPA within 60 (sixty) days after the end of the calendar year using DEP Form No. 62-213.900(7), F.A.C.

[Rules 62-213.440(3) and 62-213.900, F.A.C.]

*{Permitting Notes: This condition implements the requirements of Rules 62-213.440(3)(a)2. and 3., F.A.C. (see Condition No. 51 of Appendix TV-6, Title V Conditions). See additional semiannual monitoring report requirement in 40 CFR 63, Subpart WWWW §63.5910}*

12. The permittee shall submit all compliance related notifications and reports required of this permit to the Department's Southwest District office.

Department of Environmental Protection  
Air Compliance Section  
13051 N. Telecom Parkway  
Temple Terrace, Florida 33637-0926  
Telephone: 813/632-7600  
Fax: 813/362-7668

[Rule 62-4.070(3), F.A.C.]

13. Any reports, data, notifications, certifications, and requests required to be sent to the United States Environmental Protection Agency, Region 4, should be sent to:

United States Environmental Protection Agency  
Region 4  
Air, Pesticides & Toxics Management Division  
Air and EPCRA Enforcement Branch  
Air Enforcement Section  
61 Forsyth Street  
Atlanta, Georgia 30303-8960  
Telephone: 404/562-9155; Fax: 404/562-9163

14. Certification by Responsible Official (RO). In addition to the professional engineering certification required for applications by Rule 62-4.050(3), F.A.C., any application form, report, compliance statement, compliance plan and compliance schedule submitted pursuant to Chapter 62-213, F.A.C., shall contain a certification signed by a responsible official that, based on information and belief formed after reasonable inquiry, the statements and information in the document are true, accurate, and complete. Any responsible official who fails to submit any required information or who has submitted incorrect information shall, upon becoming aware of such failure or incorrect submittal, promptly submit such supplementary information or correct information.

[Rule 62-213.420(4), F.A.C.]

NOTES TO PERMITTEE:

- Annual Operating Report - see Appendix TV-6, item 24(3)
- Permit Renewal - see Appendix TV-6, item 5

**Section III. Emissions Unit(s) and Conditions.****Subsection [A]. This section addresses the following emissions unit(s).**

<u>E.U. ID No.</u>	<u>Brief Description</u>
-001	Fiberglass Products Manufacturing

Fiberglass drains/sumps are manufactured in a three-sided booth which is located within the manufacturing building. Molds are prepared using wax-like paste as a releasing agent. Gel coat and resin are applied to the molds using hand layout as well as chop gun (spray) application. Acetone is used for chop gun flushing and cleaning of tools. A.S.A. MFG, Inc. uses a non-atomized chop gun for reduced emissions. These materials are applied within the booth and emissions are exhausted by means of two axial flow exhaust fans, which discharge horizontally from the manufacturing building through gravity louvers. The booth is equipped with a Pre-Baffle System designed to reduce particulate matter emissions. The drains/sumps are then transferred to a covered area outside the manufacturing building where trimming and grinding of parts is performed using hand held electric tools. Touch-up of the gel coat using a small brush is also performed.

Fiberglass wall panels are manufactured on vacuum tables which are located in the open shop area of the manufacturing building. One coat of vinyl ester resin and three coats of general purpose resin are applied by hand, (i.e., rollers or brush). A small amount of styrene is also applied by hand for cleaning and softening of the wall panels. All emissions are fugitive emissions and exhaust the building through two roll-up doors on either end of the building. There are two exhaust fans located directly over each roll-up door, two roof mounted exhaust fans and roof vents located along the peak of the roof. The wall panels are transferred to an outside covered area where cutting, drilling and polishing is performed using hand held electric tools.

*{Permitting Notes: This emission unit is regulated under: 40 CFR 63, Subpart WWWW – National Emissions Standards for Hazardous Air Pollutants: Reinforced Plastic Composites Production. Compliance Assurance Monitoring (CAM) is not applicable for this emission unit, since there is no control device.}*

The following specific conditions apply to the emissions unit listed above:

**Essential Potential to Emit (PTE) Parameters**

**A.1. Hours of Operation.** This emissions unit is allowed to operate continuously, i.e., 8,760 hours/year.

[Rule 62-210.200(PTE), F.A.C.; Construction Permit 0830104-003-AC]

**A.2. Operation Limitations.** The permittee shall comply with the following:

- A. The two axial flow exhaust fans in the three sided booth shall have no device that restricts the exhaust exiting the stacks, i.e., rain cap.
- B. The wall mounted exhaust fans located on both ends of the manufactured/shop building shall have no device that restricts the exhaust exiting the stack, i.e., rain cap.
- C. All exhaust fan intakes shall not be obstructed, except for fiber filters that are used.

[Rule 62-296.320(1), F.A.C.; Construction Permit 0830104-003-AC]

**A.3. Process Changes.** The permittee shall report any proposed process changes, including, but not limited to, (a) any proposed significant change of VOC/OS species, or (b) any proposed increase in the production rate, to the Air Programs of the Southwest District Office of the Department for proper processing. Any physical change in, change in the method of operation of, or addition to a stationary source or facility, which increases the actual emissions of any air pollutant may be considered a "Modification".

[Rule 62-210.300, F.A.C.; Construction Permit 0830104-003-AC]

### **Emission Limitations and Standards**

**A.3. Permitted Capacity.** In lieu of establishing this emission unit's potential to emit by limiting material usage, throughput, or production, emissions shall not exceed the following:

- A. 34.1 tons per any consecutive 12-month period of any individual hazardous air pollutant (HAP)
- B. 35.8 tons per any consecutive 12-month period of total hazardous air pollutants (HAPs)
- C. 48.7 tons per any consecutive 12-month period of total volatile organic compounds (VOCs), which includes styrene

[Rules 62-4.050, 62-296.320(1), and 62-210.200(PTE), F.A.C.; Construction Permit 0830104-003-AC]

### **Excess Emissions**

**A.4.** Excess Emissions which are caused entirely or in part by poor maintenance, poor operation, or any other equipment or process failure which may reasonably be prevented during startup, shutdown, or malfunction shall be prohibited.

*{Permitting note: The Excess Emissions Rule at Rule 62-210.700, F.A.C., cannot vary any requirement of a NESHAPS provision.}*

[Rule 62-210.700(4), F.A.C.]

**Recordkeeping and Reporting Requirements**

**A.5.** In order to document compliance with Condition Nos. 7.D., 24 in Appendix TV-6, and A.3, the permittee shall keep monthly logs (electronic logs are allowed) for the facility. The logs may be based on the beginning and ending inventories, deliveries, shipments, etc. Once implemented, the chosen option shall not change without prior written approval of the Department.

Implementation of the monthly logs (recordkeeping system) shall begin upon startup of the facility. Note, if any month results in total HAPs, and/or total VOCs and or Styrene emissions being within 10% of its associated allowable emission limit for the prior consecutive 12-month period, the monthly log required below shall be then kept daily. The daily logs shall include a cumulative total to demonstrate compliance with the emission limitations. At a minimum, the logs shall contain the following:

- A. For Specific Condition No. 7.D., a log documenting the date each fan's filter was changed. In addition to the date, be sure each fan's log includes the facility name, signature of the person changing the filter, Facility ID No. (0830104) and Emission Unit ID (001).

The following are requirements per Specific Condition Nos. 24 in Appendix TV-6 and A.3:

- B. Each log shall include the Facility Name, Facility ID No. (0830104), Emission Unit ID (001) and description.
- C. Month, Year and method used for records.
- D. Identify and quantify each resin, coating, solvent, chemical, etc. used at the facility that contains Styrene and/or VOC emissions, per application method. Usage of materials may be based upon an inventory at the beginning of the month, receipt of material during the month and inventory of the materials at the end of the month, provided that the materials are not used in multiple application methods with different emission factors.
- E. Show the appropriate emission factor(s) along with the application method(s) used to determine Styrene and/or VOC emissions.
- F. The tons of each individual HAP emissions for the month.
- G. The tons of total HAP emissions for the month.
- H. The tons of VOC (including Styrene) emissions for the month.
- I. The tons of each individual HAP emissions for the most recent consecutive 12-month period.
- J. The tons of total HAP emissions for the most recent consecutive 12-month period.
- K. The tons of VOC (including Styrene) emissions for the most recent consecutive 12-month period.
- L. Styrene and Methyl Methacrylate (MMA) emissions shall be determined by using the emission factors in the attached Unified Emission Factor for Open Molding of Composites (UEF) Table. The current calculation shall use the formula:

$$\text{Emissions}_{\text{styrene}} \text{ tons} = ((\chi \text{ tons of resin or gel coat}) \times (\text{EF} * \text{lb/ton})) / 2000 \text{ lbs/ton}$$

\*EF = the appropriate emission factor from Unified Emission Factors for Open Molding of Composites, UEF Table (See Attachment 2).

- M. Documentation of the HAP and VOC other than styrene and MMA used shall be determined by a mass balance method, or appropriate emission factors.
1. Each log shall have the appropriate footnotes listing emission factors used in calculation.
  2. Each log, where applicable, shall have attached the documentation for all chemicals removed from the facility if the permittee seeks emission credits for the wastes.
  3. The emission factors used to calculate HAP and VOC emissions for the logs shall be updated upon receiving more accurate emission data, such as updates to 40 CFR 63, Subpart WWWW, AP-42, UEF Table, or other references or methods approved by the Department.

Documentation of each chemical reclaimed will use a mass balance method to determine usage/emissions (amount used minus amount collected for disposal or recycle). Supporting documentation such as Styrene/HAP/VOC content, Styrene/HAP/VOC emission factors used, MSDS sheets, purchase orders, "As Supplied" data sheets, etc. shall be kept for each chemical and associated products, which includes sufficient information to determine emissions. The monthly logs shall be completed within 30 days after the end of each month. Daily logs (if required) shall be completed within 3 business days.

[Rule 62-4.070(3), F.A.C.; Construction Permit 0830104-003-AC]

**A.5. Record Retention.** All recordkeeping information, supporting documentation, monitoring data, and all compliance test information required by this permit shall be maintained on site for a minimum of the most recent five (5) year period and shall be made available to the Florida Department of Environmental Protection (the Department) upon request. [Rule 62-4.070(3), F.A.C.]

#### **MACT - 40 CFR 63, Subparts A and WWWW, Requirements**

**A.6.** This emission unit shall comply with the applicable provisions\* of 40 CFR 63, Subpart WWWW - National Emission Standards for Hazardous Air Pollutants (NESHAP): Reinforced Plastic Composites Production, as adopted and incorporated by reference in Rule 62-204.800(11)(b), F.A.C. These provisions are shown in their entirety in ATTACHMENT 1, which is a part of this permit.

ATTACHMENT 1 includes the applicable provisions of 40 CFR 63, Subpart A – General Provisions. ATTACHMENT 1 also includes the revisions made to 40 CFR 63, Subpart WWWW in the August 25, 2005 Federal Register and the revisions made to 40 CFR 63, Subparts A and WWWW in the April 20, 2006 Federal Register. Note, there is currently no centrifugal casting, continuous lamination/continuous casting, polymer casting, closed-molding, SMC Manufacturing, BMC Manufacturing/mixing, filament winding, or pultrusion operations performed at this facility. If at a future date, the permittee decides to add any of these operations, or use an add-on control device, the permittee may be required to obtain a construction permit and/or Title V permit revision.



- \* The following applicability references are partially based upon a letter dated March 5, 2007, from the A.S.A. MFG., Inc., General Manager, Ms. Julie Zunich. Therefore, any change in operations may change the applicable provisions.

40 CFR 63 Subpart WWW Applicable Provision References

(Entire section applies unless otherwise noted with specific applicable subsection references)

**What This Subpart Covers**

§63.5780 What is the purpose of this subpart?

§63.5785 Am I subject to this

§63.5790 What parts of my plant does this subpart cover?

§63.5795 How do I know if my reinforced plastic composites production facility is a new affected source or an existing affected source?

**Calculating Organic HAP Emissions Factors for Open Molding and Centrifugal Casting**

§63.5796 What are the organic HAP emissions factor equations in Table 1 to this subpart and how are they used in this subpart?

§63.5797 How do I determine the organic HAP content of my resins and gel coats?

§63.5798 What if I want to use, or I manufacture, an application technology (new or existing) whose organic HAP emissions characteristics are not represented by the equations in Table 1 to this subpart?

§63.5799 How do I calculate my facility's organic HAP emissions on a tpy basis for purposes of determining which paragraphs of §63.5805 apply?

§63.5799(b) and (c)

**Compliance Dates and Standards**

§63.5800 When do I have to comply with this subpart?

§63.5805 What standards must I meet to comply with this subpart?

§63.5805(b) and (g)

**Options for Meeting Standards**

§63.5810 What are my options for meeting the standards for open molding and centrifugal casting operations at new and existing sources?

**General Compliance Requirements**

§63.5835 What are my general requirements for complying with this subpart?

§63.5835(a) and (c)

**Testing and Initial Compliance Requirements**

§63.5840 By what date must I conduct a performance test or other initial compliance demonstration?

§63.5860 How do I demonstrate initial compliance with the standards?

§63.5860(a)

***Emissions Factor, Percent Reduction, and Capture Efficiency Calculation Procedures for Continuous Lamination/Casting Operations***

*(all sections not applicable)*

**Continuous Compliance Requirements**

§63.5895 How do I monitor and collect data to demonstrate continuous compliance?

§63.5895(c)

§63.5900 How do I demonstrate continuous compliance with the standards?

§63.5900(a)(2) through (4)

§63.5900(b)

§63.5900(c) (*as it relates to malfunctions*)

**Notifications, Reports, and Records**

§63.5905 What notifications must I submit and when?

§63.5910 What reports must I submit and when?

§63.5910(a) through (c)(5)

§63.5910(d)

§63.5910(f) through (i)

§63.5915 What records must I keep?

§63.5915(a), (c), and (d)

§63.5920 In what form and how long must I keep my records?

**Other Requirements and Information**

§63.5925 What parts of the General Provisions apply to me?

§63.5930 Who implements and enforces this subpart?

§63.5935 What definitions apply to this subpart?

**Tables to Subpart WWWW of Part 63**

**Table 1 to Subpart WWWW of Part 63** - Equations to Calculate Organic HAP Emissions  
Factors for Specific Open Molding and Centrifugal Casting Process Streams

**Table 2 to Subpart WWWW of Part 63** - Compliance Dates for New and Existing Reinforced  
Plastic Composites Facilities

**Table 3 to Subpart WWWW of Part 63** - Organic HAP Emissions Limits for Existing Open  
Molding Sources, New Open Molding Sources Emitting Less Than 100 TPY of HAP,  
and New and Existing Centrifugal Casting and Continuous Lamination/Casting Sources  
That Emit Less Than 100 TPY of HAP

**Table 4 to Subpart WWWW of Part 63** - Work Practice Standards

**Table 7 to Subpart WWWW of Part 63** - Options Allowing Use of the Same Resin Across  
Different Operations That Use the Same Resin Type

**Table 8 to Subpart WWWW of Part 63** - Initial Compliance With Organic HAP Emissions  
Limits

**Table 9 to Subpart WWWW of Part 63** - Initial Compliance With Work Practice Standards.

**Table 13 to Subpart WWWW of Part 63** - Applicability and Timing of Notifications

**Table 14 to Subpart WWWW of Part 63** - Requirements for Reports

**Table 15 to Subpart WWWW of Part 63** - Applicability of General Provisions (Subpart A) to  
Subpart WWWW of Part 63

[Rules 62-204.800(11) and 62-213.400, F.A.C.; 40 CFR 63, Subpart WWWW (40 CFR 63.5780-63.5935)]

## Appendix I-1: List of Insignificant Emissions Units and/or Activities.

A.S.A. MFG, Inc.

FINAL Permit No.: 0830104-007-AV

Facility ID No.: 0830104

---

The facilities, emissions units, or pollutant-emitting activities listed in Rule 62-210.300(3)(a), F.A.C., Categorical Exemptions, or that meet the criteria specified in Rule 62-210.300(3)(b)1., F.A.C., Generic Emissions Unit Exemption, are exempt from the permitting requirements of Chapters 62-210, 62-212 and 62-4, F.A.C.; provided, however, that exempt emissions units shall be subject to any applicable emission limiting standards and the emissions from exempt emissions units or activities shall be considered in determining the potential emissions of the facility containing such emissions units. Emissions units and pollutant-emitting activities exempt from permitting under Rules 62-210.300(3)(a) and (b)1., F.A.C., shall not be exempt from the permitting requirements of Chapter 62-213, F.A.C., if they are contained within a Title V source; however, such emissions units and activities shall be considered insignificant for Title V purposes provided they also meet the criteria of Rule 62-213.430(6)(b), F.A.C. No emissions unit shall be entitled to an exemption from permitting under Rules 62-210.300(3)(a) and (b)1., F.A.C., if its emissions, in combination with the emissions of other units and activities at the facility, would cause the facility to emit or have the potential to emit any pollutant in such amount as to make the facility a Title V source.

The below listed emissions units and/or activities are considered insignificant pursuant to Rule 62-213.430(6), F.A.C.

### Brief Description of Emissions Units and/or Activities

1. Manually operated equipment used for trimming, grinding, cutting, drilling and polishing operations
2. Woodworking shop for constructing pallets for shipping purposes
3. Propane-fueled forklift operations

**Federal Regulations Adopted by Reference**

In accordance with Rule 62-204.800, F.A.C., the following federal regulation in Title 40 of the Code of Federal Regulations (CFR) was adopted by reference. The original federal rule numbering has been retained.

*Federal Revision Date: April 20, 2006*

*Rule Effective Date: January 8, 2007*

*Standardized Conditions Revision Date: April 14, 2009*

**40 CFR Part 63, Subpart WWW - National Emissions Standards for Hazardous Air Pollutants: Reinforced Plastic Composites Production**

Source: 68 FR 19402, Apr. 21, 2003, unless otherwise noted.

**WHAT THIS SUBPART COVERS**

**§ 63.5780 What is the purpose of this subpart?**

This subpart establishes national emissions standards for hazardous air pollutants (NESHAP) for reinforced plastic composites production. This subpart also establishes requirements to demonstrate initial and continuous compliance with the hazardous air pollutants (HAP) emissions standards.

**§ 63.5785 Am I subject to this subpart?**

- (a) You are subject to this subpart if you own or operate a reinforced plastic composites production facility that is located at a major source of HAP emissions. Reinforced plastic composites production is limited to operations in which reinforced and/or nonreinforced plastic composites or plastic molding compounds are manufactured using thermoset resins and/or gel coats that contain styrene to produce plastic composites. The resins and gel coats may also contain materials designed to enhance the chemical, physical, and/or thermal properties of the product. Reinforced plastic composites production also includes cleaning, mixing, HAP-containing materials storage, and repair operations associated with the production of plastic composites.
- (b) You are not subject to this subpart if your facility only repairs reinforced plastic composites. Repair includes the non-routine manufacture of individual components or parts intended to repair a larger item as defined in §63.5935
- (c) You are not subject to this subpart if your facility is a research and development facility as defined in section 112(c)(7) of the Clean Air Act (CAA).
- (d) You are not subject to this subpart if your reinforced plastic composites operations use less than 1.2 tons per year (tpy) of thermoset resins and gel coats that contain styrene combined.

**§ 63.5787 What if I also manufacture fiberglass boats or boat parts?**

- (a) If your source meets the applicability criteria in §63.5785, and is not subject to the Boat Manufacturing NESHAP (40 CFR part 63, subpart VVVV), you are subject to this subpart regardless of the final use of the parts you manufacture.
- (b) If your source is subject to 40 CFR part 63, subpart VVVV, and all the reinforced plastic composites you manufacture are used in manufacturing your boats, you are not subject to this subpart.
- (c) If you are subject to 40 CFR part 63, subpart VVVV, and meet the applicability criteria in §63.5785, and produce reinforced plastic composites that are not used in fiberglass boat manufacture at your facility, all operations associated with the manufacture of the reinforced plastic composites parts that are not used in fiberglass boat manufacture at your facility are subject to this subpart, except as noted in paragraph (d) of this section.
- (d) Facilities potentially subject to both this subpart and 40 CFR part 63, subpart VVVV may elect to have the operations in paragraph (c) of this section covered by 40 CFR part 63, subpart VVVV, in lieu of this subpart, if they can demonstrate that this will not result in any organic HAP emissions increase compared to complying with this subpart.

**§ 63.5790 What parts of my plant does this subpart cover?**

- (a) This subpart applies to each new or existing affected source at reinforced plastic composites production facilities.
- (b) The affected source consists of all parts of your facility engaged in the following operations: Open molding, closed molding, centrifugal casting, continuous lamination, continuous casting, polymer casting, pultrusion, sheet molding compound (SMC) manufacturing, bulk molding compound (BMC) manufacturing, mixing, cleaning of equipment used

in reinforced plastic composites manufacture, HAP-containing materials storage, and repair operations on parts you also manufacture.

- (c) The following operations are specifically excluded from any requirements in this subpart: application of mold sealing and release agents; mold stripping and cleaning; repair of parts that you did not manufacture, including non-routine manufacturing of parts; personal activities that are not part of the manufacturing operations (such as hobby shops on military bases); prepreg materials as defined in §63.5935; non-gel coat surface coatings; application of putties, polyputties, and adhesives; repair or production materials that do not contain resin or gel coat; research and development operations as defined in section 112(c)(7) of the CAA; polymer casting; and closed molding operations (except for compression/injection molding). Note that the exclusion of certain operations from any requirements applies only to operations specifically listed in this paragraph. The requirements for any co-located operations still apply.
- (d) Production resins that must meet military specifications are allowed to meet the organic HAP limit contained in that specification. In order for this exemption to be used, you must supply to the permitting authority the specifications certified as accurate by the military procurement officer, and those specifications must state a requirement for a specific resin, or a specific resin HAP content. Production resins for which this exemption is used must be applied with nonatomizing resin application equipment unless you can demonstrate this is infeasible. You must keep a record of the resins for which you are using this exemption.

[68 FR 19402, Apr. 21, 2003, as amended at 70 FR 50124, Aug. 25, 2005]

**§ 63.5795 How do I know if my reinforced plastic composites production facility is a new affected source or an existing affected source?**

- (a) A reinforced plastic composites production facility is a new affected source if it meets all the criteria in paragraphs (a)(1) and (2) of this section.
  - (1) You commence construction of the source after August 2, 2001.
  - (2) You commence construction, and no other reinforced plastic composites production source exists at that site.
- (b) For the purposes of this subpart, an existing affected source is any affected source that is not a new affected source.

[70 FR 50124, Aug. 25, 2005]

**CALCULATING ORGANIC HAP EMISSIONS FACTORS FOR OPEN MOLDING AND CENTRIFUGAL CASTING**

**§ 63.5796 What are the organic HAP emissions factor equations in Table 1 to this subpart, and how are they used in this subpart?**

Emissions factors are used in this subpart to determine compliance with certain organic HAP emissions limits in Tables 3 and 5 to this subpart. You may use the equations in Table 1 to this subpart to calculate your emissions factors. Equations are available for each open molding operation and centrifugal casting operation and have units of pounds of organic HAP emitted per ton (lb/ton) of resin or gel coat applied. These equations are intended to provide a method for you to demonstrate compliance without the need to conduct for a HAP emissions test. In lieu of these equations, you can elect to use site-specific organic HAP emissions factors to demonstrate compliance provided your site-specific organic HAP emissions factors are incorporated in the facility's air emissions permit and are based on actual facility HAP emissions test data. You may also use the organic HAP emissions factors calculated using the equations in Table 1 to this subpart, combined with resin and gel coat use data, to calculate your organic HAP emissions.

**§ 63.5797 How do I determine the organic HAP content of my resins and gel coats?**

In order to determine the organic HAP content of resins and gel coats, you may rely on information provided by the material manufacturer, such as manufacturer's formulation data and material safety data sheets (MSDS), using the procedures specified in paragraphs (a) through (c) of this section, as applicable.

- (a) Include in the organic HAP total each organic HAP that is present at 0.1 percent by mass or more for Occupational Safety and Health Administration-defined carcinogens, as specified in 29 CFR 1910.1200(d)(4) and at 1.0 percent by mass or more for other organic HAP compounds.
- (b) If the organic HAP content is provided by the material supplier or manufacturer as a range, you must use the upper limit of the range for determining compliance. If a separate measurement of the total organic HAP content, such as an analysis of the material by EPA Method 311 of appendix A to 40 CFR part 63, exceeds the upper limit of the range of the total

organic HAP content provided by the material supplier or manufacturer, then you must use the measured organic HAP content to determine compliance.

- (c) If the organic HAP content is provided as a single value, you may use that value to determine compliance. If a separate measurement of the total organic HAP content is made and is less than 2 percentage points higher than the value for total organic HAP content provided by the material supplier or manufacturer, then you still may use the provided value to demonstrate compliance. If the measured total organic HAP content exceeds the provided value by 2 percentage points or more, then you must use the measured organic HAP content to determine compliance.

**§ 63.5798 What if I want to use, or I manufacture, an application technology (new or existing) whose organic HAP emissions characteristics are not represented by the equations in Table 1 to this subpart?**

If you wish to use a resin or gel coat application technology (new or existing), whose emission characteristics are not represented by the equations in Table 1 to this subpart, you may use the procedures in paragraphs (a) or (b) of this section to establish an organic HAP emissions factor. This organic HAP emissions factor may then be used to determine compliance with the emission limits in this subpart, and to calculate facility organic HAP emissions.

- (a) Perform an organic HAP emissions test to determine a site-specific organic HAP emissions factor using the test procedures in §63.5850.
- (b) Submit a petition to the Administrator for administrative review of this subpart. This petition must contain a description of the resin or gel coat application technology and supporting organic HAP emissions test data obtained using EPA test methods or their equivalent. The emission test data should be obtained using a range of resin or gel coat HAP contents to demonstrate the effectiveness of the technology under the different conditions, and to demonstrate that the technology will be effective at different sites. We will review the submitted data, and, if appropriate, update the equations in Table 1 to this subpart.

**§ 63.5799 How do I calculate my facility's organic HAP emissions on a tpy basis for purposes of determining which paragraphs of §63.5805 apply?**

To calculate your facility's organic HAP emissions in tpy for purposes of determining which paragraphs in §63.5805 apply to you, you must use the procedures in either paragraph (a) of this section for new facilities prior to startup, or paragraph (b) of this section for existing facilities and new facilities after startup. You are not required to calculate or report emissions under this section if you are an existing facility that does not have centrifugal casting or continuous lamination/casting operations, or a new facility that does not have any of the following operations: Open molding, centrifugal casting, continuous lamination/casting, pultrusion, SMC and BMC manufacturing, and mixing. Emissions calculation and emission reporting procedures in other sections of this subpart still apply. Calculate organic HAP emissions prior to any add-on control device, and do not include organic HAP emissions from any resin or gel coat used in operations subject to the Boat Manufacturing NESHAP, 40 CFR part 63, subpart VVVV, or from the manufacture of large parts as defined in §63.5805(d)(2). For centrifugal casting operations at existing facilities, do not include any organic HAP emissions where resin or gel coat is applied to an open centrifugal mold using open molding application techniques. Table 1 and the Table 1 footnotes to this subpart present more information on calculating centrifugal casting organic HAP emissions. The timing and reporting of these calculations is discussed in paragraph (c) of this section.

- (a) For new facilities prior to startup, calculate a weighted average organic HAP emissions factor for the operations specified in §63.5805(c) and (d) on a lbs/ton of resin and gel coat basis. Base the weighted average on your projected operation for the 12 months subsequent to facility startup. Multiply the weighted average organic HAP emissions factor by projected resin use over the same period. You may calculate your organic HAP emissions factor based on the factors in Table 1 to this subpart, or you may use any HAP emissions factor approved by us, such as factors from the "Compilation of Air Pollutant Emissions Factors, Volume I: Stationary Point and Area Sources (AP-42)," or organic HAP emissions test data from similar facilities.
- (b) For existing facilities and new facilities after startup, you may use the procedures in either paragraph (b)(1) or (2) of this section. If the emission factors for an existing facility have changed over the period of time prior to their initial compliance date due to incorporation of pollution-prevention control techniques, existing facilities may base the average emission factor on their operations as they exist on the compliance date. If an existing facility has accepted an enforceable permit limit that would result in less than 100 tpy of HAP measured prior to any add-on controls, and can demonstrate that they will operate at that level subsequent to the compliance date, they can be deemed to be below the 100 tpy threshold.
- (1) *Use a calculated emission factor.* Calculate a weighted average organic HAP emissions factor on a lbs/ton of resin and gel coat basis. Base the weighted average on the prior 12 months of operation. Multiply the weighted average organic HAP emissions factor by resin and gel coat use over the same period. You may calculate this organic HAP

emissions factor based on the equations in Table 1 to this subpart, or you may use any organic HAP emissions factor approved by us, such as factors from AP-42, or site-specific organic HAP emissions factors if they are supported by HAP emissions test data.

- (2) *Conduct performance testing.* Conduct performance testing using the test procedures in §63.5850 to determine a site-specific organic HAP emissions factor in units of lbs/ton of resin and gel coat used. Conduct the test under conditions expected to result in the highest possible organic HAP emissions. Multiply this factor by annual resin and gel coat use to determine annual organic HAP emissions. This calculation must be repeated and reported annually.
- (c) Existing facilities must initially perform this calculation based on their 12 months of operation prior to April 21, 2003, and include this information with their initial notification report. Existing facilities must repeat the calculation based on their resin and gel coat use in the 12 months prior to their initial compliance date, and submit this information with their initial compliance report. After their initial compliance date, existing and new facilities must recalculate organic HAP emissions over the 12-month period ending June 30 or December 31, whichever date is the first date following their compliance date specified in §63.5800. Subsequent calculations should cover the periods in the semiannual compliance reports.

[68 FR 19402, Apr. 21, 2003, as amended at 70 FR 50124, Aug. 25, 2005]

**COMPLIANCE DATES AND STANDARDS**

**§ 63.5800 When do I have to comply with this subpart?**

You must comply with the standards in this subpart by the dates specified in Table 2 to this subpart. Facilities meeting an organic HAP emissions standard based on a 12-month rolling average must begin collecting data on the compliance date in order to demonstrate compliance.

**§ 63.5805 What standards must I meet to comply with this subpart?**

You must meet the requirements of paragraphs (a) through (h) of this section that apply to you. You may elect to comply using any options to meet the standards described in §§63.5810 through 63.5830. Use the procedures in §63.5799 to determine if you meet or exceed the 100 tpy threshold.

- (a) If you have an existing facility that has any centrifugal casting or continuous casting/lamination operations, you must meet the requirements of paragraph (a)(1) or (2) of this section:
  - (1) If the combination of all centrifugal casting and continuous lamination/casting operations emit 100 tpy or more of HAP, you must reduce the total organic HAP emissions from centrifugal casting and continuous lamination/casting operations by at least 95 percent by weight. As an alternative to meeting the 95 percent by weight requirement, centrifugal casting operations may meet the applicable organic HAP emissions limits in Table 5 to this subpart and continuous lamination/casting operations may meet an organic HAP emissions limit of 1.47 lbs/ton of neat resin plus and neat gel coat plus applied. For centrifugal casting, the percent reduction requirement does not apply to organic HAP emissions that occur during resin application onto an open centrifugal casting mold using open molding application techniques.
  - (2) If the combination of all centrifugal casting and continuous lamination/casting operations emit less than 100 tpy of HAP, then centrifugal casting and continuous lamination/casting operations must meet the appropriate requirements in Table 3 to this subpart.
- (b) All operations at existing facilities not listed in paragraph (a) of this section must meet the organic HAP emissions limits in Table 3 to this subpart and the work practice standards in Table 4 to this subpart that apply, regardless of the quantity of HAP emitted.
- (c) If you have a new facility that emits less than 100 tpy of HAP from the combination of all open molding, centrifugal casting, continuous lamination/casting, pultrusion, SMC manufacturing, mixing, and BMC manufacturing, you must meet the organic HAP emissions limits in Table 3 to this subpart and the work practice standards in Table 4 to this subpart that apply to you.
- (d)
  - (1) Except as provided in paragraph (d)(2) of this section, if you have a new facility that emits 100 tpy or more of HAP from the combination of all open molding, centrifugal casting, continuous lamination/casting, pultrusion, SMC manufacturing, mixing, and BMC manufacturing, you must reduce the total organic HAP emissions from these operations by at least 95 percent by weight and meet any applicable work practice standards in Table 4 to this subpart that apply to you. As an alternative to meeting 95 percent by weight, you may meet the organic HAP

emissions limits in Table 5 to this subpart. If you have a continuous lamination/casting operation, that operation may alternatively meet an organic HAP emissions limit of 1.47 lbs/ton of neat resin plus and neat gel coat plus applied.

(2)

- (i) If your new facility manufactures large reinforced plastic composites parts using open molding or pultrusion operations, the specific open molding and pultrusion operations used to produce large parts are not required to reduce HAP emissions by 95 weight percent, but must meet the emission limits in Table 3 to this subpart.
  - (ii) A large open molding part is defined as a part that, when the final finished part is enclosed in the smallest rectangular six-sided box into which the part can fit, the total interior volume of the box exceeds 250 cubic feet, or any interior sides of the box exceed 50 square feet.
  - (iii) A large pultruded part is a part that exceeds an outside perimeter of 24 inches or has more than 350 reinforcements.
- (e) If you have a new or existing facility subject to paragraph (a)(2) or (c) of this section at its initial compliance date that subsequently meets or exceeds the 100 tpy threshold in any calendar year, you must notify your permitting authority in your compliance report. You may at the same time request a one-time exemption from the requirements of paragraph (a)(1) or (d) of this section in your compliance report if you can demonstrate all of the following:
- (1) The exceedance of the threshold was due to circumstances that will not be repeated.
  - (2) The average annual organic HAP emissions from the potentially affected operations for the last 3 years were below 100 tpy.
  - (3) Projected organic HAP emissions for the next calendar year are below 100 tpy, based on projected resin and gel coat use and the HAP emission factors calculated according to the procedures in §63.5799.
- (f) If you apply for an exemption in paragraph (e) of this section and subsequently exceed the HAP emission thresholds specified in paragraph (a)(2) or (c) of this section over the next 12-month period, you must notify the permitting authority in your semiannual report, the exemption is removed, and your facility must comply with paragraph (a)(1) or (d) of this section within 3 years from the time your organic HAP emissions first exceeded the threshold.
- (g) If you have repair operations subject to this subpart as defined in §63.5785, these repair operations must meet the requirements in Tables 3 and 4 to this subpart and are not required to meet the 95 percent organic HAP emissions reduction requirements in paragraph (a)(1) or (d) of this section.
- (h) If you use an add-on control device to comply with this subpart, you must meet all requirements contained in 40 CFR part 63, subpart SS.

[70 FR 50124, Aug. 25, 2005]

#### OPTIONS FOR MEETING STANDARDS

##### **§ 63.5810 What are my options for meeting the standards for open molding and centrifugal casting operations at new and existing sources?**

You must use one of the following methods in paragraphs (a) through (d) of this section to meet the standards for open molding or centrifugal casting operations in Table 3 or 5 to this subpart. You may use any control method that reduces organic HAP emissions, including reducing resin and gel coat organic HAP content, changing to nonatomized mechanical application, using covered curing techniques, and routing part or all of your emissions to an add-on control. You may use different compliance options for the different operations listed in Table 3 or 5 to this subpart. The necessary calculations must be completed within 30 days after the end of each month. You may switch between the compliance options in paragraphs (a) through (d) of this section. When you change to an option based on a 12-month rolling average, you must base the average on the previous 12 months of data calculated using the compliance option you are changing to, unless you were previously using an option that did not require you to maintain records of resin and gel coat use. In this case, you must immediately begin collecting resin and gel coat use data and demonstrate compliance 12 months after changing options.

- (a) *Demonstrate that an individual resin or gel coat, as applied, meets the applicable emission limit in Table 3 or 5 to this subpart.*
- (1) Calculate your actual organic HAP emissions factor for each different process stream within each operation type. A process stream is defined as each individual combination of resin or gel coat, application technique, and control technique. Process streams within operations types are considered different from each other if any of the following four characteristics vary: the neat resin plus or neat gel coat plus organic HAP content, the gel coat type, the



application technique, or the control technique. You must calculate organic HAP emissions factors for each different process stream by using the appropriate equations in Table 1 to this subpart for open molding and for centrifugal casting, or site-specific organic HAP emissions factors discussed in §63.5796. The emission factor calculation should include any and all emission reduction techniques used including any add-on controls. If you are using vapor suppressants to reduce HAP emissions, you must determine the vapor suppressant effectiveness (VSE) by conducting testing according to the procedures specified in appendix A to subpart WWWW of 40 CFR part 63. If you are using an add-on control device to reduce HAP emissions, you must determine the add-on control factor by conducting capture and control efficiency testing using the procedures specified in §63.5850. The organic HAP emissions factor calculated from the equations in Table 1 to this subpart, or a site-specific emissions factor, is multiplied by the add-on control factor to calculate the organic HAP emissions factor after control. Use Equation 1 of this section to calculate the add-on control factor used in the organic HAP emissions factor equations.

$$\text{Add-on Control Factor} = 1 - \frac{\% \text{ Control Efficiency}}{100} \quad (\text{Eq. 1})$$

Where:

Percent Control Efficiency = a value calculated from organic HAP emissions test measurements made according to the requirements of §63.5850 to this subpart.

- (2) If the calculated emission factor is less than or equal to the appropriate emission limit, you have demonstrated that this process stream complies with the emission limit in Table 3 to this subpart. It is not necessary that all your process streams, considered individually, demonstrate compliance to use this option for some process streams. However, for any individual resin or gel coat you use, if any of the process streams that include that resin or gel coat are to be used in any averaging calculations described in paragraphs (b) through (d) of this section, then all process streams using that individual resin or gel coat must be included in the averaging calculations.
- (b) *Demonstrate that, on average, you meet the individual organic HAP emissions limits for each combination of operation type and resin application method or gel coat type.* Demonstrate that on average you meet the individual organic HAP emissions limits for each unique combination of operation type and resin application method or gel coat type shown in Table 3 to this subpart that applies to you.
  - (1)
    - (i) Group the process streams described in paragraph (a) to this section by operation type and resin application method or gel coat type listed in Table 3 to this subpart and then calculate a weighted average emission factor based on the amounts of each individual resin or gel coat used for the last 12 months. To do this, sum the product of each individual organic HAP emissions factor calculated in paragraph (a)(1) of this section and the amount of neat resin plus and neat gel coat plus usage that corresponds to the individual factors and divide the numerator by the total amount of neat resin plus and neat gel coat plus used in that operation type as shown in Equation 2 of this section.

$$\text{Average organic HAP Emissions Factor} = \frac{\sum_{i=1}^n (\text{Actual Process Stream } EF_i * \text{Material}_i)}{\sum_{i=1}^n \text{Material}_i} \quad (\text{Eq. 2})$$

Where:

Actual Process Stream  $EF_i$  = actual organic HAP emissions factor for process stream  $i$ , lbs/ton;

Material $_i$  = neat resin plus or neat gel coat plus used during the last 12 calendar months for process stream  $i$ , tons;

$n$  = number of process streams where you calculated an organic HAP emissions factor.

- (ii) You may, but are not required to, include process streams where you have demonstrated compliance as described in paragraph (a) of this section, subject to the limitations described in paragraph (a)(2) of this section, and you are not required to and should not include process streams for which you will demonstrate compliance using the procedures in paragraph (d) of this section.

- (2) Compare each organic HAP emissions factor calculated in paragraph (b)(1) of this section with its corresponding organic HAP emissions limit in Table 3 or 5 to this subpart. If all emissions factors are equal to or less than their corresponding emission limits, then you are in compliance.
- (c) *Demonstrate compliance with a weighted average emission limit.* Demonstrate each month that you meet each weighted average of the organic HAP emissions limits in Table 3 or 5 to this subpart that apply to you. When using this option, you must demonstrate compliance with the weighted average organic HAP emissions limit for all your open molding operations, and then separately demonstrate compliance with the weighted average organic HAP emissions limit for all your centrifugal casting operations. Open molding operations and centrifugal casting operations may not be averaged with each other.
- (1) Each month calculate the weighted average organic HAP emissions limit for all open molding operations and the weighted average organic HAP emissions limit for all centrifugal casting operations for your facility for the last 12-month period to determine the organic HAP emissions limit you must meet. To do this, multiply the individual organic HAP emissions limits in Table 3 or 5 to this subpart for each open molding (centrifugal casting) operation type by the amount of neat resin plus or neat gel coat plus used in the last 12 months for each open molding (centrifugal casting) operation type, sum these results, and then divide this sum by the total amount of neat resin plus and neat gel coat plus used in open molding (centrifugal casting) over the last 12 months as shown in Equation 3 of this section.

$$\text{Weighted Average Emission Limit} = \frac{\sum_{i=1}^n (EL_i * \text{Material}_i)}{\sum_{i=1}^n \text{Material}_i} \quad (\text{Eq. 3})$$

Where:

$EL_i$  = organic HAP emissions limit for operation type  $i$ , lbs/ton from Tables 3 or 5 to this subpart;

$\text{Material}_i$  = neat resin plus or neat gel coat plus used during the last 12-month period for operation type  $i$ , tons;

$n$  = number of operations.

- (2) Each month calculate your weighted average organic HAP emissions factor for open molding and centrifugal casting. To do this, multiply your actual open molding (centrifugal casting) operation organic HAP emissions factors calculated in paragraph (b)(1) of this section and the amount of neat resin plus and neat gel coat plus used in each open molding (centrifugal casting) operation type, sum the results, and divide this sum by the total amount of neat resin plus and neat gel coat plus used in open molding (centrifugal casting) operations as shown in Equation 4 of this section.

$$\begin{array}{l} \text{Actual Weighted} \\ \text{Average organic} \\ \text{HAP Emissions} \\ \text{Factor} \end{array} = \frac{\sum_{i=1}^n (\text{Actual Operation } EF_i * \text{Material}_i)}{\sum_{i=1}^n \text{Material}_i} \quad (\text{Eq. 4})$$

Where:

Actual Individual  $EF_i$  = Actual organic HAP emissions factor for operation type  $i$ , lbs/ton;

$\text{Material}_i$  = neat resin plus or neat gel coat plus used during the last 12 calendar months for operation type  $i$ , tons;

$n$  = number of operations.

- (3) Compare the values calculated in paragraphs (c)(1) and (2) of this section. If each 12-month rolling average organic HAP emissions factor is less than or equal to the corresponding 12-month rolling average organic HAP emissions limit, then you are in compliance.
- (d) *Meet the organic HAP emissions limit for one application method and use the same resin(s) for all application methods of that resin type.* This option is limited to resins of the same type. The resin types for which this option may be used are noncorrosion-resistant, corrosion-resistant and/or high strength, and tooling.

- (1) For any combination of manual resin application, mechanical resin application, filament application, or centrifugal casting, you may elect to meet the organic HAP emissions limit for any one of these application methods and use the same resin in all of the resin application methods listed in this paragraph (d)(1). Table 7 to this subpart presents the possible combinations based on a facility selecting the application process that results in the highest allowable organic HAP content resin. If the resin organic HAP content is below the applicable value shown in Table 7 to this subpart, the resin is in compliance.
- (2) You may also use a weighted average organic HAP content for each application method described in paragraph (d)(1) of this section. Calculate the weighted average organic HAP content monthly. Use Equation 2 in paragraph (b)(1) of this section except substitute organic HAP content for organic HAP emissions factor. You are in compliance if the weighted average organic HAP content based on the last 12 months of resin use is less than or equal to the applicable organic HAP contents in Table 7 to this subpart.
- (3) You may simultaneously use the averaging provisions in paragraph (b) or (c) of this section to demonstrate compliance for any operations and/or resins you do not include in your compliance demonstrations in paragraphs (d)(1) and (2) of this section. However, any resins for which you claim compliance under the option in paragraphs (d)(1) and (2) of this section may not be included in any of the averaging calculations described in paragraph (b) or (c) of this section.
- (4) You do not have to keep records of resin use for any of the individual resins where you demonstrate compliance under the option in paragraph (d)(1) of this section unless you elect to include that resin in the averaging calculations described in paragraph (d)(2) of this section.

[70 FR 50125, Aug. 25, 2005]

**§ 63.5820 What are my options for meeting the standards for continuous lamination/casting operations?**

You must use one or more of the options in paragraphs (a) through (d) of this section to meet the standards in §63.5805. Use the calculation procedures in §§63.5865 through 63.5890.

- (a) *Compliant line option.* Demonstrate that each continuous lamination line and each continuous casting line complies with the applicable standard.
- (b) *Averaging option.* Demonstrate that all continuous lamination and continuous casting lines combined, comply with the applicable standard.
- (c) *Add-on control device option.* If your operation must meet the 58.5 weight percent organic HAP emissions reduction limit in Table 3 to this subpart, you have the option of demonstrating that you achieve 95 percent reduction of all wet-out area organic HAP emissions.
- (d) *Combination option.* Use any combination of options in paragraphs (a) and (b) of this section or, for affected sources at existing facilities, any combination of options in paragraphs (a), (b), and (c) of this section (in which one or more lines meet the standards on their own, two or more lines averaged together meet the standards, and one or more lines have their wet-out areas controlled to a level of 95 percent).

**§ 63.5830 What are my options for meeting the standards for pultrusion operations subject to the 60 weight percent organic HAP emissions reductions requirement?**

You must use one or more of the options in paragraphs (a) through (e) of this section to meet the 60 weight percent organic HAP emissions limit in Table 3 to this subpart, as required in §63.5805.

- (a) Achieve an overall reduction in organic HAP emissions of 60 weight percent by capturing the organic HAP emissions and venting them to a control device or any combination of control devices. Conduct capture and destruction efficiency testing as specified in 63.5850 to this subpart to determine the percent organic HAP emissions reduction.
- (b) Design, install, and operate wet area enclosures and resin drip collection systems on pultrusion machines that meet the criteria in paragraphs (b)(1) through (10) of this section.
  - (1) The enclosure must cover and enclose the open resin bath and the forming area in which reinforcements are pre-wet or wet-out and moving toward the die(s). The surfaces of the enclosure must be closed except for openings to allow material to enter and exit the enclosure.
  - (2) For open bath pultrusion machines with a radio frequency pre-heat unit, the enclosure must extend from the beginning of the resin bath to within 12.5 inches or less of the entrance of the radio frequency pre-heat unit. If the stock that is within 12.5 inches or less of the entrance to the radio frequency pre-heat unit has any drip, it must be

enclosed. The stock exiting the radio frequency pre-heat unit is not required to be in an enclosure if the stock has no drip between the exit of the radio frequency pre-heat unit to within 0.5 inches of the entrance of the die.

- (3) For open bath pultrusion machines without a radio frequency pre-heat unit, the enclosure must extend from the beginning of the resin bath to within 0.5 inches or less of the die entrance.
- (4) For pultrusion lines with pre-wet area(s) prior to direct die injection, no more than 12.5 inches of open wet stock is permitted between the entrance of the first pre-wet area and the entrance to the die. If the pre-wet stock has any drip, it must be enclosed.
- (5) The total open area of the enclosure must not exceed two times the cross sectional area of the puller window(s) and must comply with the requirements in paragraphs (b)(5)(i) through (iii) of this section.
  - (i) All areas that are open need to be included in the total open area calculation with the exception of access panels, doors, and/or hatches that are part of the enclosure.
  - (ii) The area that is displaced by entering reinforcement or exiting product is considered open.
  - (iii) Areas that are covered by brush covers are considered closed.
- (6) Open areas for level control devices, monitoring devices, agitation shafts, and fill hoses must have no more than 1.0 inch clearance.
- (7) The access panels, doors, and/or hatches that are part of the enclosure must close tightly. Damaged access panels, doors, and/or hatches that do not close tightly must be replaced.
- (8) The enclosure may not be removed from the pultrusion line, and access panels, doors, and/or hatches that are part of the enclosure must remain closed whenever resin is in the bath, except for the time period discussed in paragraph (b)(9) of this section.
- (9) The maximum length of time the enclosure may be removed from the pultrusion line or the access panels, doors, and/or hatches and may be open, is 30 minutes per 8 hour shift, 45 minutes per 12 hour shift, or 90 minutes per day if the machine is operated for 24 hours in a day. The time restrictions do not apply if the open doors or panels do not cause the limit of two times the puller window area to be exceeded. Facilities may average the times that access panels, doors, and/or hatches are open across all operating lines. In that case the average must not exceed the times shown in this paragraph (b)(9). All lines included in the average must have operated the entire time period being averaged.
- (10) No fans, blowers, and/or air lines may be allowed within the enclosure. The enclosure must not be ventilated.
- (c) Use direct die injection pultrusion machines with resin drip collection systems that meet all the criteria specified in paragraphs (c)(1) through (3) of this section.
  - (1) All the resin that is applied to the reinforcement is delivered directly to the die.
  - (2) No exposed resin is present, except at the face of the die.
  - (3) Resin drip is captured in a closed system and recycled back to the process.
- (d) Use a preform injection system that meets the definition in §63.5935
- (e) Use any combination of options in paragraphs (a) through (d) of this section in which different pultrusion lines comply with different options described in paragraphs (a) through (d) of this section, and
  - (1) Each individual pultrusion machine meets the 60 percent reduction requirement, or
  - (2) The weighted average reduction based on resin throughput of all machines combined is 60 percent. For purposes of the average percent reduction calculation, wet area enclosures reduce organic HAP emissions by 60 percent, and direct die injection and preform injection reduce organic HAP emissions by 90 percent.

[68 FR 19402, Apr. 21, 2003, as amended at 70 FR 50127, Aug. 25, 2005]

## GENERAL COMPLIANCE REQUIREMENTS

### § 63.5835 What are my general requirements for complying with this subpart?

- (a) You must be in compliance at all times with the work practice standards in Table 4 to this subpart, as well as the organic HAP emissions limits in Tables 3, or 5, or the organic HAP content limits in Table 7 to this subpart, as applicable, that you are meeting without the use of add-on controls.

- (b) You must be in compliance with all organic HAP emissions limits in this subpart that you meet using add-on controls, except during periods of startup, shutdown, and malfunction.
- (c) You must always operate and maintain your affected source, including air pollution control and monitoring equipment, according to the provisions in §63.6(e)(1)(i).
- (d) You must develop a written startup, shutdown, and malfunction plan according to the provisions in §63.6(e)(3) for any organic HAP emissions limits you meet using an add-on control.

[68 FR 19402, Apr. 21, 2003, as amended at 71 FR 20466, Apr. 20, 2006]

#### TESTING AND INITIAL COMPLIANCE REQUIREMENTS

##### § 63.5840 By what date must I conduct a performance test or other initial compliance demonstration?

You must conduct performance tests, performance evaluations, design evaluations, capture efficiency testing, and other initial compliance demonstrations by the compliance date specified in Table 2 to this subpart, with three exceptions. Open molding and centrifugal casting operations that elect to meet an organic HAP emissions limit on a 12-month rolling average must initiate collection of the required data on the compliance date, and demonstrate compliance 1 year after the compliance date. New sources that use add-on controls to initially meet compliance must demonstrate compliance within 180 days after their compliance date.

##### § 63.5845 When must I conduct subsequent performance tests?

You must conduct a performance test every 5 years following the initial performance test for any standard you meet with an add-on control device.

##### § 63.5850 How do I conduct performance tests, performance evaluations, and design evaluations?

- (a) If you are using any add-on controls to meet an organic HAP emissions limit in this subpart, you must conduct each performance test, performance evaluation, and design evaluation in 40 CFR part 63, subpart SS, that applies to you. The basic requirements for performance tests, performance evaluations, and design evaluations are presented in Table 6 to this subpart.
- (b) Each performance test must be conducted according to the requirements in §63.7(e)(1) and under the specific conditions that 40 CFR part 63, subpart SS, specifies.
- (c) Each performance evaluation must be conducted according to the requirements in §63.8(e) as applicable and under the specific conditions that 40 CFR part 63, subpart SS, specifies.
- (d) You may not conduct performance tests or performance evaluations during periods of startup, shutdown, or malfunction, as specified in §63.7(e)(1).
- (e) You must conduct the control device performance test using the emission measurement methods specified in paragraphs (e)(1) through (5) of this section.
  - (1) Use either Method 1 or 1A of appendix A to 40 CFR part 60, as appropriate, to select the sampling sites.
  - (2) Use Method 2, 2A, 2C, 2D, 2F or 2G of appendix A to 40 CFR part 60, as appropriate, to measure gas volumetric flow rate.
  - (3) Use Method 18 of appendix A to 40 CFR part 60 to measure organic HAP emissions or use Method 25A of appendix A to 40 CFR part 60 to measure total gaseous organic emissions as a surrogate for total organic HAP emissions. If you use Method 25A, you must assume that all gaseous organic emissions measured as carbon are organic HAP emissions. If you use Method 18 and the number of organic HAP in the exhaust stream exceeds five, you must take into account the use of multiple chromatographic columns and analytical techniques to get an accurate measure of at least 90 percent of the total organic HAP mass emissions. Do not use Method 18 to measure organic HAP emissions from a combustion device; use instead Method 25A and assume that all gaseous organic mass emissions measured as carbon are organic HAP emissions.
  - (4) You may use American Society for Testing and Materials (ASTM) D6420–99 (available for purchase from at least one of the following addresses: 100 Barr Harbor Drive, West Conshohocken, PA 19428–2959; or University Microfilms International, 300 North Zeeb Road, Ann Arbor, MI 48106.) in lieu of Method 18 of 40 CFR part 60, appendix A, under the conditions specified in paragraphs (c)(4)(i) through (iii) of this section.
    - (i) If the target compound(s) is listed in Section 1.1 of ASTM D6420–99 and the target concentration is between 150 parts per billion by volume and 100 parts per million by volume.

- (ii) If the target compound(s) is not listed in Section 1.1 of ASTM D6420–99, but is potentially detected by mass spectrometry, an additional system continuing calibration check after each run, as detailed in Section 10.5.3 of ASTM D6420–99, must be followed, met, documented, and submitted with the performance test report even if you do not use a moisture condenser or the compound is not considered soluble.
- (iii) If a minimum of one sample/analysis cycle is completed at least every 15 minutes.
- (5) Use the procedures in EPA Method 3B of appendix A to 40 CFR part 60 to determine an oxygen correction factor if required by §63.997(e)(2)(iii)(C). You may use American Society of Mechanical Engineers (ASME) PTC 19–10–1981–Part 10 (available for purchase from ASME, P.O. Box 2900, 22 Law Drive, Fairfield, New Jersey, 07007–2900, or online at [www.asme.org/catalog](http://www.asme.org/catalog)) as an alternative to EPA Method 3B of appendix A to 40 CFR part 60.
- (f) The control device performance test must consist of three runs and each run must last at least 1 hour. The production conditions during the test runs must represent normal production conditions with respect to the types of parts being made and material application methods. The production conditions during the test must also represent maximum potential emissions with respect to the organic HAP content of the materials being applied and the material application rates.
- (g) If you are using a concentrator/oxidizer control device, you must test the combined flow upstream of the concentrator, and the combined outlet flow from both the oxidizer and the concentrator to determine the overall control device efficiency. If the outlet flow from the concentrator and oxidizer are exhausted in separate stacks, you must test both stacks simultaneously with the inlet to the concentrator to determine the overall control device efficiency.
- (h) During the test, you must also monitor and record separately the amounts of production resin, tooling resin, pigmented gel coat, clear gel coat, and tooling gel coat applied inside the enclosure that is vented to the control device.

**§ 63.5855 What are my monitor installation and operation requirements?**

You must monitor and operate all add-on control devices according to the procedures in 40 CFR part 63, subpart SS.

**§ 63.5860 How do I demonstrate initial compliance with the standards?**

- (a) You demonstrate initial compliance with each organic HAP emissions standard in paragraphs (a) through (h) of §63.5805 that applies to you by using the procedures shown in Tables 8 and 9 to this subpart.
- (b) If using an add-on control device to demonstrate compliance, you must also establish each control device operating limit in 40 CFR part 63, subpart SS, that applies to you.

Emission Factor, Percent Reduction, and Capture Efficiency Calculation Procedures for Continuous Lamination/Casting Operations

**§ 63.5865 What data must I generate to demonstrate compliance with the standards for continuous lamination/casting operations?**

- (a) For continuous lamination/casting affected sources complying with a percent reduction requirement, you must generate the data identified in Tables 10 and 11 to this subpart for each data requirement that applies to your facility.
- (b) For continuous lamination/casting affected sources complying with a lbs/ton limit, you must generate the data identified in Tables 11 and 12 to this subpart for each data requirement that applies to your facility.

**§ 63.5870 How do I calculate annual uncontrolled and controlled organic HAP emissions from my wet-out area(s) and from my oven(s) for continuous lamination/casting operations?**

To calculate your annual uncontrolled and controlled organic HAP emissions from your wet-out areas and from your ovens, you must develop uncontrolled and controlled wet-out area and uncontrolled and controlled oven organic HAP emissions estimation equations or factors to apply to each formula applied on each line, determine how much of each formula for each end product is applied each year on each line, and assign uncontrolled and controlled wet-out area and uncontrolled and controlled oven organic HAP emissions estimation equations or factors to each formula. You must determine the overall capture efficiency using the procedures in §63.5850 to this subpart.

- (a) To develop uncontrolled and controlled organic HAP emissions estimation equations and factors, you must, at a minimum, do the following, as specified in paragraphs (a)(1) through (6) of this section:
  - (1) Identify each end product and the thickness of each end product produced on the line. Separate end products into the following end product groupings, as applicable: corrosion-resistant gel coated end products, noncorrosion-resistant gel coated end products, corrosion-resistant nongel coated end products, and noncorrosion-resistant nongel coated end products. This step creates end product/thickness combinations.

- (2) Identify each formula used on the line to produce each end product/thickness combination. Identify the amount of each such formula applied per year. Rank each formula used to produce each end product/thickness combination according to usage within each end product/thickness combination.
  - (3) For each end product/thickness combination being produced, select the formula with the highest usage rate for testing.
  - (4) If not already selected, also select the worst-case formula (likely to be associated with the formula with the highest organic HAP content, type of HAP, application of gel coat, thin product, low line speed, higher resin table temperature) amongst all formulae. (You may use the results of the worst-case formula test for all formulae if desired to limit the amount of testing required.)
  - (5) For each formula selected for testing, conduct at least one test (consisting of three runs). During the test, track information on organic HAP content and type of HAP, end product thickness, line speed, and resin temperature on the wet-out area table.
  - (6) Using the test results, develop uncontrolled and controlled organic HAP emissions estimation equations (or factors) or series of equations (or factors) that best fit the results for estimating uncontrolled and controlled organic HAP emissions, taking into account the organic HAP content and type of HAP, end product thickness, line speed, and resin temperature on the wet-out area table.
- (b) In lieu of using the method specified in paragraph (a) of this section for developing uncontrolled and controlled organic HAP emissions estimation equations and factors, you may either method specified in paragraphs (b)(1) and (2) of this section, as applicable.
- (1) For either uncontrolled or controlled organic HAP emissions estimates, you may use previously established, facility-specific organic HAP emissions equations or factors, provided they allow estimation of both wet-out area and oven organic HAP emissions, where necessary, and have been approved by your permitting authority. If a previously established equation or factor is specific to the wet-out area only, or to the oven only, then you must develop the corresponding uncontrolled or controlled equation or factor for the other organic HAP emissions source.
  - (2) For uncontrolled (controlled) organic HAP emissions estimates, you may use controlled (uncontrolled) organic HAP emissions estimates and control device destruction efficiency to calculate your uncontrolled (controlled) organic HAP emissions provided the control device destruction efficiency was calculated at the same time you collected the data to develop your facility's controlled (uncontrolled) organic HAP emissions estimation equations and factors.
- (c) Assign to each formula an uncontrolled organic HAP emissions estimation equation or factor based on the end product/thickness combination for which that formula is used.
- (d)
- (1) To calculate your annual uncontrolled organic HAP emissions from wet-out areas that do not have any capture and control and from wet-out areas that are captured by an enclosure but are vented to the atmosphere and not to a control device, multiply each formula's annual usage by its appropriate organic HAP emissions estimation equation or factor and sum the individual results.
  - (2) To calculate your annual uncontrolled organic HAP emissions that escape from the enclosure on the wet-out area, multiply each formula's annual usage by its appropriate uncontrolled organic HAP emissions estimation equation or factor, sum the individual results, and multiply the summation by 1 minus the percent capture (expressed as a fraction).
  - (3) To calculate your annual uncontrolled oven organic HAP emissions, multiply each formula's annual usage by its appropriate uncontrolled organic HAP emissions estimation equation or factor and sum the individual results.
  - (4) To calculate your annual controlled organic HAP emissions, multiply each formula's annual usage by its appropriate organic HAP emissions estimation equation or factor and sum the individual results to obtain total annual controlled organic HAP emissions.
- (e) Where a facility is calculating both uncontrolled and controlled organic HAP emissions estimation equations and factors, you must test the same formulae. In addition, you must develop both sets of equations and factors from the same tests.

**§ 63.5875 How do I determine the capture efficiency of the enclosure on my wet-out area and the capture efficiency of my oven(s) for continuous lamination/casting operations?**

- (a) The capture efficiency of a wet-out area enclosure is assumed to be 100 percent if it meets the design and operation requirements for a permanent total enclosure (PTE) specified in EPA Method 204 of appendix M to 40 CFR part 51. If a PTE does not exist, then a temporary total enclosure must be constructed and verified using EPA Method 204, and capture efficiency testing must be determined using EPA Methods 204B through E of appendix M to 40 CFR part 51.
- (b) The capture efficiency of an oven is to be considered 100 percent, provided the oven is operated under negative pressure.

**§ 63.5880 How do I determine how much neat resin plus is applied to the line and how much neat gel coat plus is applied to the line for continuous lamination/casting operations?**

Use the following procedures to determine how much neat resin plus and neat gel coat plus is applied to the line each year.

- (a) Track formula usage by end product/thickness combinations.
- (b) Use in-house records to show usage. This may be either from automated systems or manual records.
- (c) Record daily the usage of each formula/end product combination on each line. This is to be recorded at the end of each run ( *i.e.*, when a changeover in formula or product is made) and at the end of each shift.
- (d) Sum the amounts from the daily records to calculate annual usage of each formula/end product combination by line.

**§ 63.5885 How do I calculate percent reduction to demonstrate compliance for continuous lamination/casting operations?**

You may calculate percent reduction using any of the methods in paragraphs (a) through (d) of this section.

- (a) *Compliant line option.* If all of your wet-out areas have PTE that meet the requirements of EPA Method 204 of appendix M of 40 CFR part 51, and all of your wet-out area organic HAP emissions and oven organic HAP emissions are vented to an add-on control device, use Equation 1 of this section to demonstrate compliance. In all other situations, use Equation 2 of this section to demonstrate compliance.

$$PR = \frac{(\text{Inlet}) - (\text{Outlet})}{(\text{Inlet})} \times 100 \quad (\text{Eq. 1})$$

Where:

PR = percent reduction;

Inlet+HAP emissions entering the control device, lbs per year;

Outlet = HAP emissions existing the control device to the atmosphere, lbs per year.

$$PR = \frac{(WAE_{ci} + O_{ci}) - (WAE_{co} + O_{co})}{(WAE_{ci} + WAE_{u} + O_{ci} + O_{u})} \times 100 \quad (\text{Eq. 2})$$

Where:

PR = percent reduction;

WAE<sub>ci</sub> = wet-out area organic HAP emissions, lbs per year, vented to a control device;

WAE<sub>u</sub> = wet-out area organic HAP emissions, lbs per year, not vented to a control device;

O<sub>u</sub> = oven organic HAP emissions, lbs per year, not vented to a control device;

O<sub>ci</sub> = oven organic HAP emissions, lbs per year, vented to a control device;

WAE<sub>co</sub> = wet-out area organic HAP emissions, lbs per year, from the control device outlet;

O<sub>co</sub> = oven organic HAP emissions, lbs per year, from the control device outlet.

- (b) *Averaging option.* Use Equation 3 of this section to calculate percent reduction.



$$PR = \frac{\left( \sum_{i=1}^m WAE_{i_{ci}} + \sum_{j=1}^n O_{j_{ci}} \right) - \left( \sum_{i=1}^m WAE_{i_{co}} + \sum_{j=1}^n O_{j_{co}} \right)}{\left( \sum_{i=1}^m WAE_{i_{ci}} + \sum_{j=1}^n O_{j_{ci}} + \sum_{i=1}^m WAE_{i_u} + \sum_{j=1}^n O_{j_u} \right)} \times 100 \quad (\text{Eq. 3})$$

Where:

PR = percent reduction;

WAE<sub>i<sub>ci</sub></sub> = wet-out area organic HAP emissions from wet-out area i, lbs per year, sent to a control device;

WAE<sub>i<sub>u</sub></sub> = wet-out area organic HAP emissions from wet-out area i, lbs per year, not sent to a control device;

WAE<sub>i<sub>co</sub></sub> = wet-out area organic HAP emissions from wet-out area i, lbs per year, at the outlet of a control device;

O<sub>j<sub>u</sub></sub> = organic HAP emissions from oven j, lbs per year, not sent to a control device;

O<sub>j<sub>ci</sub></sub> = organic HAP emissions from oven j, lbs per year, sent to a control device;

O<sub>j<sub>co</sub></sub> = organic HAP emissions from oven j, lbs per year, at the outlet of the control device;

m = number of wet-out areas;

n = number of ovens.

(c) *Add-on control device option.* Use Equation 1 of this section to calculate percent reduction.

(d) *Combination option.* Use Equations 1 through 3 of this section, as applicable, to calculate percent reduction.

[70 FR 50127, Aug. 25, 2005]

**§ 63.5890 How do I calculate an organic HAP emissions factor to demonstrate compliance for continuous lamination/casting operations?**

(a) *Compliant line option.* Use Equation 1 of this section to calculate an organic HAP emissions factor in lbs/ton.

$$E = \frac{WAE_u + WAE_c + O_u + O_c}{(R + G)} \quad (\text{Eq. 1})$$

Where:

E = HAP emissions factor in lbs/ton of resin and gel coat

WAE<sub>u</sub> = uncontrolled wet-out area organic HAP emissions, lbs per year

WAE<sub>c</sub> = controlled wet-out area organic HAP emissions, lbs per year

O<sub>u</sub> = uncontrolled oven organic HAP emissions, lbs per year

O<sub>c</sub> = controlled oven organic HAP emissions, lbs per year

R = total usage of neat resin plus, tpy

G = total usage of neat gel coat plus, tpy

(b) *Averaging option.* Use Equation 2 of this section to demonstrate compliance.

$$E = \frac{\sum_{i=1}^m WAE_{wi} + \sum_{i=1}^o WAE_{ci} + \sum_{j=1}^n O_{wj} + \sum_{j=1}^p O_{cj}}{(R + G)} \quad (\text{Eq. 2})$$

Where:

E = HAP emissions factor in lbs/ton of resin and gel coat

WAE<sub>wi</sub> = uncontrolled organic HAP emissions from wet-out area i, lbs per year

$WAE_{ci}$  = controlled organic HAP emissions from wet-out area i, lbs per year

$O_{uj}$  = uncontrolled organic HAP emissions from oven j, lbs per year

$O_{cj}$  = controlled organic HAP emissions from oven j, lbs per year

i = number of wet-out areas

j = number of ovens

m = number of wet-out areas uncontrolled

n = number of ovens uncontrolled

o = number of wet-out areas controlled

p = number of ovens controlled

R = total usage of neat resin plus, tpy

G = total usage of neat gel coat plus, tpy

(c) *Combination option.* Use Equations 1 and 2 of this section, as applicable, to demonstrate compliance.

### CONTINUOUS COMPLIANCE REQUIREMENTS

#### § 63.5895 How do I monitor and collect data to demonstrate continuous compliance?

- (a) During production, you must collect and keep a record of data as indicated in 40 CFR part 63, subpart SS, if you are using an add-on control device.
- (b) You must monitor and collect data as specified in paragraphs (b)(1) through (4) of this section.
  - (1) Except for monitoring malfunctions, associated repairs, and required quality assurance or control activities (including, as applicable, calibration checks and required zero and span adjustments), you must conduct all monitoring in continuous operation (or collect data at all required intervals) at all times that the affected source is operating.
  - (2) You may not use data recorded during monitoring malfunctions, associated repairs, and required quality assurance or control activities for purposes to this subpart, including data averages and calculations, or fulfilling a minimum data availability requirement, if applicable. You must use all the data collected during all other periods in assessing the operation of the control device and associated control system.
  - (3) At all times, you must maintain necessary parts for routine repairs of the monitoring equipment.
  - (4) A monitoring malfunction is any sudden, infrequent, not reasonably preventable failure of the monitoring equipment to provide valid data. Monitoring failures that are caused in part by poor maintenance or careless operation are not malfunctions.
- (c) You must collect and keep records of resin and gel coat use, organic HAP content, and operation where the resin is used if you are meeting any organic HAP emissions limits based on an organic HAP emissions limit in Tables 3 or 5 to this subpart. You must collect and keep records of resin and gel coat use, organic HAP content, and operation where the resin is used if you are meeting any organic HAP content limits in Table 7 to this subpart if you are averaging organic HAP contents. Resin use records may be based on purchase records if you can reasonably estimate how the resin is applied. The organic HAP content records may be based on MSDS or on resin specifications supplied by the resin supplier.
- (d) Resin and gel coat use records are not required for the individual resins and gel coats that are demonstrated, as applied, to meet their applicable emission as defined in §63.5810(a). However, you must retain the records of resin and gel coat organic HAP content, and you must include the list of these resins and gel coats and identify their application methods in your semiannual compliance reports. If after you have initially demonstrated that a specific combination of an individual resin or gel coat, application method, and controls meets its applicable emission limit, and the resin or gel coat changes or the organic HAP content increases, or you change the application method or controls, then you again must demonstrate that the individual resin or gel coat meets its emission limit as specified in paragraph (a) of §63.5810. If any of the previously mentioned changes results in a situation where an individual resin or gel coat now exceeds its applicable emission limit in Table 3 or 5 of this subpart, you must begin collecting resin and gel coat use records and calculate compliance using one of the averaging options on a 12-month rolling average.

- (e) For each of your pultrusion machines, you must record all times that wet area enclosures doors or covers are open and there is resin present in the resin bath.

[68 FR 19402, Apr. 21, 2003, as amended at 70 FR 50128, Aug. 25, 2005]

**§ 63.5900 How do I demonstrate continuous compliance with the standards?**

- (a) You must demonstrate continuous compliance with each standard in §63.5805 that applies to you according to the methods specified in paragraphs (a)(1) through (3) of this section.
  - (1) Compliance with organic HAP emissions limits for sources using add-on control devices is demonstrated following the procedures in 40 CFR part 63, subpart SS. Sources using add-on controls may also use continuous emissions monitors to demonstrate continuous compliance as an alternative to control parameter monitoring.
  - (2) Compliance with organic HAP emissions limits is demonstrated by maintaining an organic HAP emissions factor value less than or equal to the appropriate organic HAP emissions limit listed in Table 3 or 5 to this subpart, on a 12-month rolling average, and/or by including in each compliance report a statement that individual resins and gel coats, as applied, meet the appropriate organic HAP emissions limits, as discussed in §63.5895(d).
  - (3) Compliance with organic HAP content limits in Table 7 to this subpart is demonstrated by maintaining an average organic HAP content value less than or equal to the appropriate organic HAP contents listed in Table 7 to this subpart, on a 12-month rolling average, and/or by including in each compliance report a statement that resins and gel coats individually meet the appropriate organic HAP content limits in Table 7 to this subpart, as discussed in §63.5895(d).
  - (4) Compliance with the work practice standards in Table 4 to this subpart is demonstrated by performing the work practice required for your operation.
- (b) You must report each deviation from each standard in §63.5805 that applies to you. The deviations must be reported according to the requirements in §63.5910.
- (c) Except as provided in paragraph (d) of this section, during periods of startup, shutdown or malfunction, you must meet the organic HAP emissions limits and work practice standards that apply to you.
- (d) When you use an add-on control device to meet standards in §63.5805, you are not required to meet those standards during periods of startup, shutdown, or malfunction, but you must operate your affected source to minimize emissions in accordance with §63.6(e)(1).
- (e) Consistent with §§63.6(e) and 63.7(e)(1), deviations that occur during a period of malfunction for those affected sources and standards specified in paragraph (d) of this section are not violations if you demonstrate to the Administrator's satisfaction that you were operating in accordance with §63.6(e)(1). The Administrator will determine whether deviations that occur during a period of startup, shutdown, and malfunction are violations, according to the provisions in §63.6(e).

[68 FR 19402, Apr. 21, 2003, as amended at 70 FR 50128, Aug. 25, 2005; 71 FR 20466, Apr. 20, 2006]

**NOTIFICATIONS, REPORTS, AND RECORDS**

**§ 63.5905 What notifications must I submit and when?**

- (a) You must submit all of the notifications in Table 13 to this subpart that apply to you by the dates specified in Table 13 to this subpart. The notifications are described more fully in 40 CFR part 63, subpart A, referenced in Table 13 to this subpart.
- (b) If you change any information submitted in any notification, you must submit the changes in writing to the Administrator within 15 calendar days after the change.

**§ 63.5910 What reports must I submit and when?**

- (a) You must submit each report in Table 14 to this subpart that applies to you.
- (b) Unless the Administrator has approved a different schedule for submission of reports under §63.10(a), you must submit each report by the date specified in Table 14 to this subpart and according to paragraphs (b)(1) through (5) of this section.

- (1) The first compliance report must cover the period beginning on the compliance date that is specified for your affected source in §63.5800 and ending on June 30 or December 31, whichever date is the first date following the end of the first calendar half after the compliance date that is specified for your source in §63.5800.
  - (2) The first compliance report must be postmarked or delivered no later than July 31 or January 31, whichever date follows the end of the first calendar half after the compliance date that is specified for your affected source in §63.5800.
  - (3) Each subsequent compliance report must cover the semiannual reporting period from January 1 through June 30 or the semiannual reporting period from July 1 through December 31.
  - (4) Each subsequent compliance report must be postmarked or delivered no later than July 31 or January 31, whichever date is the first date following the end of the semiannual reporting period.
  - (5) For each affected source that is subject to permitting requirements pursuant to 40 CFR part 70 or 71, and if the permitting authority has established dates for submitting semiannual reports pursuant to §70.6 (a)(3)(iii)(A) or §71.6(a)(3)(iii)(A), you may submit the first and subsequent compliance reports according to the dates the permitting authority has established instead of according to the dates in paragraphs (b)(1) through (4) of this section.
- (c) The compliance report must contain the information in paragraphs (c)(1) through (6) of this section:
- (1) Company name and address.
  - (2) Statement by a responsible official with that official's name, title, and signature, certifying the truth, accuracy, and completeness of the content of the report.
  - (3) Date of the report and beginning and ending dates of the reporting period.
  - (4) If you had a startup, shutdown, or malfunction during the reporting period and you took actions consistent with your startup, shutdown, and malfunction plan, the compliance report must include the information in §63.10(d)(5)(i).
  - (5) If there are no deviations from any organic HAP emissions limitations (emissions limit and operating limit) that apply to you, and there are no deviations from the requirements for work practice standards in Table 4 to this subpart, a statement that there were no deviations from the organic HAP emissions limitations or work practice standards during the reporting period.
  - (6) If there were no periods during which the continuous monitoring system (CMS), including a continuous emissions monitoring system (CEMS) and an operating parameter monitoring system were out of control, as specified in §63.8(c)(7), a statement that there were no periods during which the CMS was out of control during the reporting period.
- (d) For each deviation from an organic HAP emissions limitation (*i.e.*, emissions limit and operating limit) and for each deviation from the requirements for work practice standards that occurs at an affected source where you are not using a CMS to comply with the organic HAP emissions limitations or work practice standards in this subpart, the compliance report must contain the information in paragraphs (c)(1) through (4) of this section and in paragraphs (d)(1) and (2) of this section. This includes periods of startup, shutdown, and malfunction.
- (1) The total operating time of each affected source during the reporting period.
  - (2) Information on the number, duration, and cause of deviations (including unknown cause, if applicable), as applicable, and the corrective action taken.
- (e) For each deviation from an organic HAP emissions limitation (*i.e.*, emissions limit and operating limit) occurring at an affected source where you are using a CMS to comply with the organic HAP emissions limitation in this subpart, you must include the information in paragraphs (c)(1) through (4) of this section and in paragraphs (e)(1) through (12) of this section. This includes periods of startup, shutdown, and malfunction.
- (1) The date and time that each malfunction started and stopped.
  - (2) The date and time that each CMS was inoperative, except for zero (low-level) and high-level checks.
  - (3) The date, time, and duration that each CMS was out of control, including the information in §63.8(c)(8).
  - (4) The date and time that each deviation started and stopped, and whether each deviation occurred during a period of startup, shutdown, or malfunction, or during another period.

- (5) A summary of the total duration of the deviation during the reporting period and the total duration as a percent of the total source operating time during that reporting period.
  - (6) A breakdown of the total duration of the deviations during the reporting period into those that are due to startup, shutdown, control equipment problems, process problems, other known causes, and other unknown causes.
  - (7) A summary of the total duration of CMS downtime during the reporting period and the total duration of CMS downtime as a percent of the total source operating time during that reporting period.
  - (8) An identification of each organic HAP that was monitored at the affected source.
  - (9) A brief description of the process units.
  - (10) A brief description of the CMS.
  - (11) The date of the latest CMS certification or audit.
  - (12) A description of any changes in CMS, processes, or controls since the last reporting period.
- (f) You must report if you have exceeded the 100 tpy organic HAP emissions threshold if that exceedance would make your facility subject to §63.5805(a)(1) or (d). Include with this report any request for an exemption under §63.5805(e). If you receive an exemption under §63.5805(e) and subsequently exceed the 100 tpy organic HAP emissions threshold, you must report this exceedance as required in §63.5805(f).
- (g) Each affected source that has obtained a title V operating permit pursuant to 40 CFR part 70 or 71 must report all deviations as defined in this subpart in the semiannual monitoring report required by §70.6(a)(3)(iii)(A) or §71.6(a)(3)(iii)(A). If an affected source submits a compliance report pursuant to Table 14 to this subpart along with, or as part of, the semiannual monitoring report required by §70.6(a)(3)(iii)(A) or §71.6(a)(3)(iii)(A), and the compliance report includes all required information concerning deviations from any organic HAP emissions limitation (including any operating limit) or work practice requirement in this subpart, submission of the compliance report shall be deemed to satisfy any obligation to report the same deviations in the semiannual monitoring report. However, submission of a compliance report shall not otherwise affect any obligation the affected source may have to report deviations from permit requirements to the permitting authority.
- (h) Submit compliance reports and startup, shutdown, and malfunction reports based on the requirements in Table 14 to this subpart, and not based on the requirements in §63.999.
- (i) Where multiple compliance options are available, you must state in your next compliance report if you have changed compliance options since your last compliance report.

[68 FR 19402, Apr. 21, 2003, as amended at 70 FR 50128, Aug. 25, 2005]

**§ 63.5915 What records must I keep?**

- (a) You must keep the records listed in paragraphs (a)(1) through (3) of this section.
- (1) A copy of each notification and report that you submitted to comply with this subpart, including all documentation supporting any Initial Notification or Notification of Compliance Status that you submitted, according to the requirements in §63.10(b)(2)(xiv).
  - (2) The records in §63.6(e)(3)(iii) through (v) related to startup, shutdown, and malfunction.
  - (3) Records of performance tests, design, and performance evaluations as required in §63.10(b)(2).
- (b) If you use an add-on control device, you must keep all records required in 40 CFR part 63, subpart SS, to show continuous compliance with this subpart.
- (c) You must keep all data, assumptions, and calculations used to determine organic HAP emissions factors or average organic HAP contents for operations listed in Tables 3, 5, and 7 to this subpart.
- (d) You must keep a certified statement that you are in compliance with the work practice requirements in Table 4 to this subpart, as applicable.
- (e) For a new or existing continuous lamination/ casting operation, you must keep the records listed in paragraphs (e)(1) through (4) of this section, when complying with the percent reduction and/or lbs/ton requirements specified in paragraphs (a) and (c) through (d) of §63.5805.

- (1) You must keep all data, assumptions, and calculations used to determine percent reduction and/or lbs/ton as applicable;
- (2) You must keep a brief description of the rationale for the assignment of an equation or factor to each formula;
- (3) When using facility-specific organic HAP emissions estimation equations or factors, you must keep all data, assumptions, and calculations used to derive the organic HAP emissions estimation equations and factors and identification and rationale for the worst-case formula; and
- (4) For all organic HAP emissions estimation equations and organic HAP emissions factors, you must keep documentation that the appropriate permitting authority has approved them.

[68 FR 19402, Apr. 21, 2003, as amended at 70 FR 50129, Aug. 25, 2005]

**§ 63.5920 In what form and how long must I keep my records?**

- (a) You must maintain all applicable records in such a manner that they can be readily accessed and are suitable for inspection according to §63.10(b)(1).
- (b) As specified in §63.10(b)(1), you must keep each record for 5 years following the date of each occurrence, measurement, maintenance, corrective action, report, or record.
- (c) You must keep each record onsite for at least 2 years after the date of each occurrence, measurement, maintenance, corrective action, report, or record, according to §63.10(b)(1). You can keep the records offsite for the remaining 3 years.
- (d) You may keep records in hard copy or computer readable form including, but not limited to, paper, microfilm, computer floppy disk, magnetic tape, or microfiche.

**OTHER REQUIREMENTS AND INFORMATION**

**§ 63.5925 What parts of the General Provisions apply to me?**

Table 15 to this subpart shows which parts of the General Provisions in §§63.1 through 63.15 apply to you.

**§ 63.5930 Who implements and enforces this subpart?**

- (a) This subpart can be administered by us, the EPA, or a delegated authority such as your State, local, or tribal agency. If the EPA Administrator has delegated authority to your State, local, or tribal agency, then that agency has the authority to administer and enforce this subpart. You should contact your EPA Regional Office to find out if this subpart is delegated to your State, local, or tribal agency.
- (b) In delegating implementation and enforcement authority of this subpart to a State, local, or tribal agency under 40 CFR part 63, subpart E, the authorities contained in paragraph (c) of this section are not delegated.
- (c) The authorities that will not be delegated to State, local, or tribal agencies are listed in paragraphs (c)(1) through (4) of this section:
  - (1) Approval of alternatives to the organic HAP emissions standards in §63.5805 under §63.6(g).
  - (2) Approval of major changes to test methods under §63.7(e)(2)(ii) and (f) and as defined in §63.90.
  - (3) Approval of major changes to monitoring under §63.8(f) and as defined in §63.90.
  - (4) Approval of major changes to recordkeeping and reporting under §63.10(f) and as defined in §63.90.

**§ 63.5935 What definitions apply to this subpart?**

Terms used in this subpart are defined in the CAA, in 40 CFR 63.2, and in this section as follows:

*Atomized mechanical application* means application of resin or gel coat with spray equipment that separates the liquid into a fine mist. This fine mist may be created by forcing the liquid under high pressure through an elliptical orifice, bombarding a liquid stream with directed air jets, or a combination of these techniques.

*Bulk molding compound (BMC)* means a putty-like molding compound containing resin(s) in a form that is ready to mold. In addition to resins, BMC may contain catalysts, fillers, and reinforcements. Bulk molding compound can be used in compression molding and injection molding operations to manufacture reinforced plastic composites products.

*BMC manufacturing* means a process that involves the preparation of BMC.

*Centrifugal casting* means a process for fabricating cylindrical composites, such as pipes, in which composite materials are positioned inside a rotating hollow mandrel and held in place by centrifugal forces until the part is sufficiently cured to maintain its physical shape.

*Charge* means the amount of SMC or BMC that is placed into a compression or injection mold necessary to complete one mold cycle.

*Cleaning* means removal of composite materials, such as cured and uncured resin from equipment, finished surfaces, floors, hands of employees, or any other surfaces.

*Clear production gel coat* means an unpigmented, quick-setting resin used to improve the surface appearance and/or performance of composites. It can be used to form the surface layer of any composites other than those used for molds in tooling operations.

*Closed molding* means a grouping of processes for fabricating composites in a way that HAP-containing materials are not exposed to the atmosphere except during the material loading stage ( e.g., compression molding, injection molding, and resin transfer molding). Processes where the mold is covered with plastic (or equivalent material) prior to resin application, and the resin is injected into the covered mold are also considered closed molding.

*Composite* means a shaped and cured part produced by using composite materials.

*Composite materials* means the raw materials used to make composites. The raw materials include styrene containing resins. They may also include gel coat, monomer, catalyst, pigment, filler, and reinforcement.

*Compression molding* means a closed molding process for fabricating composites in which composite materials are placed inside matched dies that are used to cure the materials under heat and pressure without exposure to the atmosphere. The addition of mold paste or in-mold coating is considered part of the closed molding process. The composite materials used in this process are generally SMC or BMC.

*Compression/injection molding* means a grouping of processes that involves the use of compression molding and/or injection molding.

*Continuous casting* means a continuous process for fabricating composites in which composite materials are placed on an in-line conveyor belt to produce cast sheets that are cured in an oven.

*Continuous lamination* means a continuous process for fabricating composites in which composite materials are typically sandwiched between plastic films, pulled through compaction rollers, and cured in an oven. This process is generally used to produce flat or corrugated products on an in-line conveyor.

*Continuous lamination/casting* means a grouping of processes that involves the use of continuous lamination and/or continuous casting.

*Controlled emissions* means those organic HAP emissions that are vented from a control device to the atmosphere.

*Corrosion-resistant gel coat* means a gel coat used on a product made with a corrosion-resistant resin that has a corrosion-resistant end-use application.

*Corrosion-resistant end-use applications* means applications where the product is manufactured specifically for an application that requires a level of chemical inertness or resistance to chemical attack above that required for typical reinforced plastic composites products. These applications include, but are not limited to, chemical processing and storage; pulp and paper production; sewer and wastewater treatment; power generation; potable water transfer and storage; food and drug processing; pollution or odor control; metals production and plating; semiconductor manufacturing; petroleum production, refining, and storage; mining; textile production; nuclear materials storage; swimming pools; and cosmetic production, as well as end-use applications that require high strength resins.

*Corrosion-resistant industry standard* includes the following standards: ASME RTP-1 or Sect. X; ASTM D5364, D3299, D4097, D2996, D2997, D3262, D3517, D3754, D3840, D4024, D4160, D4161, D4162, D4184, D3982, or D3839; ANSI/AWWA C950; UL 215, 1316 or 1746, IAPMO PS-199, or written customer requirements for resistance to specified chemical environments.

*Corrosion-resistant product* means a product made with a corrosion-resistant resin and is manufactured to a corrosion-resistant industry standard, or a food contact industry standard, or is manufactured for corrosion-resistant end-use applications involving continuous or temporary chemical exposures.

*Corrosion-resistant resin* means a resin that either:

- (1) Displays substantial retention of mechanical properties when undergoing ASTM C–581 coupon testing, where the resin is exposed for 6 months or more to one of the following materials: Material with a pH  $\geq$  12.0 or  $\leq$  3.0, oxidizing or reducing agents, organic solvents, or fuels or additives as defined in 40 CFR 79.2. In the coupon testing, the exposed resin needs to demonstrate a minimum of 50 percent retention of the relevant mechanical property compared to the same resin in unexposed condition. In addition, the exposed resin needs to demonstrate an increased retention of the relevant mechanical property of at least 20 percentage points when compared to a similarly exposed general-purpose resin. For example, if the general-purpose resin retains 45 percent of the relevant property when tested as specified above, then a corrosion-resistant resin needs to retain at least 65 percent (45 percent plus 20 percent) of its property. The general-purpose resin used in the test needs to have an average molecular weight of greater than 1,000, be formulated with a 1:2 ratio of maleic anhydride to phthalic anhydride and 100 percent diethylene glycol, and a styrene content between 43 to 48 percent; or
- (2) Complies with industry standards that require specific exposure testing to corrosive media, such as UL 1316, UL 1746, or ASTM F–1216.

*Doctor box* means the box or trough on an SMC machine into which the liquid resin paste is delivered before it is metered onto the carrier film.

*Filament application* means an open molding process for fabricating composites in which reinforcements are fed through a resin bath and wound onto a rotating mandrel. The materials on the mandrel may be rolled out or worked by using nonmechanical tools prior to curing. Resin application to the reinforcement on the mandrel by means other than the resin bath, such as spray guns, pressure-fed rollers, flow coaters, or brushes is not considered filament application.

*Filled Resin* means that fillers have been added to a resin such that the amount of inert substances is at least 10 percent by weight of the total resin plus filler mixture. Filler putty made from a resin is considered a filled resin.

*Fillers* means inert substances dispersed throughout a resin, such as calcium carbonate, alumina trihydrate, hydrous aluminum silicate, mica, feldspar, wollastonite, silica, and talc. Materials that are not considered to be fillers are glass fibers or any type of reinforcement and microspheres.

*Fire retardant gel coat* means a gel coat used for products for which low-flame spread/low-smoke resin is used.

*Fluid impingement technology* means a spray gun that produces an expanding non-misting curtain of liquid by the impingement of low-pressure uninterrupted liquid streams.

*Food contact industry standard* means a standard related to food contact application contained in Food and Drug Administration's regulations at 21 CFR 177.2420.

*Gel Coat* means a quick-setting resin used to improve surface appearance and/or performance of composites. It can be used to form the surface layer of any composites other than those used for molds in tooling operations.

*Gel coat application* means a process where either clear production, pigmented production, white/off-white or tooling gel coat is applied.

*HAP-containing materials storage* means an ancillary process which involves keeping HAP-containing materials, such as resins, gel coats, catalysts, monomers, and cleaners, in containers or bulk storage tanks for any length of time. Containers may include small tanks, totes, vessels, and buckets.

*High Performance gel coat* means a gel coat used on products for which National Sanitation Foundation, United States Department of Agriculture, ASTM, durability, or other property testing is required.

*High strength gel coat* means a gel coat applied to a product that requires high strength resin.

*High strength resins* means polyester resins which have a casting tensile strength of 10,000 pounds per square inch or more and which are used for manufacturing products that have high strength requirements such as structural members and utility poles.

*Injection molding* means a closed molding process for fabricating composites in which composite materials are injected under pressure into a heated mold cavity that represents the exact shape of the product. The composite materials are cured in the heated mold cavity.

*Low Flame Spread/Low Smoke Products* means products that meet the following requirements. The products must meet both the applicable flame spread requirements and the applicable smoke requirements. Interior or exterior building application products must meet an ASTM E–84 Flame Spread Index of less than or equal to 25, and Smoke Developed Index of less than or equal to 450, or pass National Fire Protection Association 286 Room Corner Burn Test with no flash over and total smoke



released not exceeding 1000 meters square. Mass transit application products must meet an ASTM E-162 Flame Spread Index of less than or equal to 35 and ASTM E662 Smoke Density Ds @ 1.5 minutes less than or equal to 100 and Ds @ 4 minutes less than or equal to 200. Duct application products must meet ASTM E084 Flame Spread Index less than or equal to 25 and Smoke Developed Index less than or equal to 50 on the interior and/or exterior of the duct.

*Manual resin application* means an open molding process for fabricating composites in which composite materials are applied to the mold by pouring or by using hands and nonmechanical tools, such as brushes and rollers. Materials are rolled out or worked by using nonmechanical tools prior to curing. The use of pressure-fed rollers and flow coaters to apply resin is not considered manual resin application.

*Mechanical resin application* means an open molding process for fabricating composites in which composite materials (except gel coat) are applied to the mold by using mechanical tools such as spray guns, pressure-fed rollers, and flow coaters. Materials are rolled out or worked by using nonmechanical tools prior to curing.

*Mixing* means the blending or agitation of any HAP-containing materials in vessels that are 5.00 gallons (18.9 liters) or larger, and includes the mixing of putties or polyputties. Mixing may involve the blending of resin, gel coat, filler, reinforcement, pigments, catalysts, monomers, and any other additives.

*Mold* means a cavity or matrix into or onto which the composite materials are placed and from which the product takes its form.

*Neat gel coat* means the resin as purchased for the supplier, but not including any inert fillers.

*Neat gel coat plus* means neat gel coat plus any organic HAP-containing materials that are added to the gel coat by the supplier or the facility, excluding catalysts and promoters. Neat gel coat plus does include any additions of styrene or methyl methacrylate monomer in any form, including in catalysts and promoters.

*Neat resin* means the resin as purchased from the supplier, but not including any inert fillers.

*Neat resin plus* means neat resin plus any organic HAP-containing materials that are added to the resin by the supplier or the facility. Neat resin plus does not include any added filler, reinforcements, catalysts, or promoters. Neat resin plus does include any additions of styrene or methyl methacrylate monomer in any form, including in catalysts and promoters.

*Nonatomized mechanical application* means the use of application tools other than brushes to apply resin and gel coat where the application tool has documentation provided by its manufacturer or user that this design of the application tool has been organic HAP emissions tested, and the test results showed that use of this application tool results in organic HAP emissions that are no greater than the organic HAP emissions predicted by the applicable nonatomized application equation(s) in Table 1 to this subpart. In addition, the device must be operated according to the manufacturer's directions, including instructions to prevent the operation of the device at excessive spray pressures. Examples of nonatomized application include flow coaters, pressure fed rollers, and fluid impingement spray guns.

*Noncorrosion-resistant resin* means any resin other than a corrosion-resistant resin or a tooling resin.

*Noncorrosion-resistant product* means any product other than a corrosion-resistant product or a mold.

*Non-routine manufacture* means that you manufacture parts to replace worn or damaged parts of a reinforced plastic composites product, or a product containing reinforced plastic composite parts, that was originally manufactured in another facility. For a part to qualify as non-routine manufacture, it must be used for repair or replacement, and the manufacturing schedule must be based on the current or anticipated repair needs of the reinforced plastic composites product, or a product containing reinforced plastic composite parts.

*Operation* means a specific process typically found at a reinforced plastic composites facility. Examples of operations are noncorrosion-resistant manual resin application, corrosion-resistant mechanical resin application, pigmented gel coat application, mixing and HAP-containing materials storage.

*Operation group* means a grouping of individual operations based primarily on mold type. Examples are open molding, closed molding, and centrifugal casting.

*Open molding* means a process for fabricating composites in a way that HAP-containing materials are exposed to the atmosphere. Open molding includes processes such as manual resin application, mechanical resin application, filament application, and gel coat application. Open molding also includes application of resins and gel coats to parts that have been removed from the open mold.

*Pigmented gel coat* means a gel coat that has a color, but does not contain 10 percent of more titanium dioxide by weight. It can be used to form the surface layer of any composites other than those used for molds in tooling operations.

*Polymer casting* means a process for fabricating composites in which composite materials are ejected from a casting machine or poured into an open, partially open, or closed mold and cured. After the composite materials are poured into the mold, they are not rolled out or worked while the mold is open, except for smoothing the material and/or vibrating the mold to remove bubbles. The composite materials may or may not include reinforcements. Products produced by the polymer casting process include cultured marble products and polymer concrete.

*Preform Injection* means a form of pultrusion where liquid resin is injected to saturate reinforcements in an enclosed system containing one or more chambers with openings only large enough to admit reinforcements. Resin, which drips out of the chamber(s) during the process, is collected in closed piping or covered troughs and then into a covered reservoir for recycle. Resin storage vessels, reservoirs, transfer systems, and collection systems are covered or shielded from the ambient air. Preform injection differs from direct die injection in that the injection chambers are not directly attached to the die.

*Prepreg materials* means reinforcing fabric received precoated with resin which is usually cured through the addition of heat.

*Pultrusion* means a continuous process for manufacturing composites that have a uniform cross-sectional shape. The process consists of pulling a fiber-reinforcing material through a resin impregnation chamber or bath and through a shaping die, where the resin is subsequently cured. There are several types of pultrusion equipment, such as open bath, resin injection, and direct die injection equipment.

*Repair* means application of resin or gel coat to a part to correct a defect, where the resin or gel coat application occurs after the part has gone through all the steps of its typical production process, or the application occurs outside the normal production area. For purposes of this subpart, rerouting a part back through the normal production line, or part of the normal production line, is not considered repair.

*Resin transfer molding* means a process for manufacturing composites whereby catalyzed resin is transferred or injected into a closed mold in which fiberglass reinforcement has been placed.

*Sheet molding compound (SMC)* means a ready-to-mold putty-like molding compound that contains resin(s) processed into sheet form. The molding compound is sandwiched between a top and a bottom film. In addition to resin(s), it may also contain catalysts, fillers, chemical thickeners, mold release agents, reinforcements, and other ingredients. Sheet molding compound can be used in compression molding to manufacture reinforced plastic composites products.

*Shrinkage controlled resin* means a resin that when promoted, catalyzed, and filled according to the resin manufacturer's recommendations demonstrates less than 0.3 percent linear shrinkage when tested according to ASTM D2566.

*SMC manufacturing* means a process which involves the preparation of SMC.

*Tooling gel coat* means a gel coat that is used to form the surface layer of molds. Tooling gel coats generally have high heat distortion temperatures, low shrinkage, high barcol hardness, and high dimensional stability.

*Tooling resin* means a resin that is used to produce molds. Tooling resins generally have high heat distortion temperatures, low shrinkage, high barcol hardness, and high dimensional stability.

*Uncontrolled oven organic HAP emissions* means those organic HAP emissions emitted from the oven through closed vent systems to the atmosphere and not to a control device. These organic HAP emissions do not include organic HAP emissions that may escape into the workplace through the opening of panels or doors on the ovens or other similar fugitive organic HAP emissions in the workplace.

*Uncontrolled wet-out area organic HAP emissions* means any or all of the following: Organic HAP emissions from wet-out areas that do not have any capture and control, organic HAP emissions that escape from wet-out area enclosures, and organic HAP emissions from wet-out areas that are captured by an enclosure but are vented to the atmosphere and not to an add-on control device.

*Unfilled* means that there has been no addition of fillers to a resin or that less than 10 percent of fillers by weight of the total resin plus filler mixture has been added.

*Vapor suppressant* means an additive, typically a wax, that migrates to the surface of the resin during curing and forms a barrier to seal in the styrene and reduce styrene emissions.

*Vapor-suppressed resin* means a resin containing a vapor suppressant added for the purpose of reducing styrene emissions during curing.

*White and off-white gel coat* means a gel coat that contains 10 percent of more titanium dioxide by weight.

[68 FR 19402, Apr. 21, 2003, as amended at 70 FR 50129, Aug. 25, 2005]

Table 1 to Subpart WWW of Part 63—Equations To Calculate Organic HAP Emissions Factors for Specific Open Molding and Centrifugal Casting Process Streams

Table 1 to Subpart WWW of Part 63—Equations to Calculate Organic HAP Emissions Factors for Specific Open Molding and Centrifugal Casting Process Streams<sup>1</sup>

As specified in §63.3810, use the equations in the following table to calculate organic HAP emissions factors for specific open molding and centrifugal casting process streams:

If your operation type is a new or existing...	And you use...	With...	Use this organic HAP Emissions Factor (EF) Equation for materials with less than 33 percent organic HAP (19 percent organic HAP for nonatomized gel coat)	Use this organic HAP emissions factor (EF) Equation for materials with 33 percent or more organic HAP (19 percent for nonatomized gel coat)
1. open molding operation	a. manual resin application	i. nonvapor-suppressed resin	$EF = 0.126 \times \%HAP \times 2000$	$EF = \{(0.286 \times \%HAP) - 0.0529\} \times 2000$
		ii. vapor-suppressed resin	$EF = 0.126 \times \%HAP \times 2000 \times \{1 - (0.5 \times VSE \text{ factor})\}$	$EF = \{(0.286 \times \%HAP) - 0.0529\} \times 2000 \times \{1 - (0.5 \times VSE \text{ factor})\}$
		iii. vacuum bagging/closed-mold curing with roll-out	$EF = 0.126 \times \%HAP \times 2000 \times 0.8$	$EF = \{(0.286 \times \%HAP) - 0.0529\} \times 2000 \times 0.8$
		iv. vacuum bagging/closed-mold curing without roll-out	$EF = (0.126 \times \%HAP \times 2000 \times 0.5$	$EF = \{(0.286 \times \%HAP) - 0.0529\} \times 2000 \times 0.5$
	b. atomized mechanical resin application	i. nonvapor-suppressed resin	$EF = 0.169 \times \%HAP \times 2000$	$EF = \{(0.714 \times \%HAP) - 0.18\} \times 2000$
		ii. vapor-suppressed resin	$EF = 0.169 \times \%HAP \times 2000 \times \{1 - (0.45 \times VSE \text{ factor})\}$	$EF = \{(0.714 \times \%HAP) - 0.18\} \times 2000 \times \{1 - (0.45 \times VSE \text{ factor})\}$
		iii. vacuum bagging/closed-mold curing with roll-out	$EF = 0.169 \times \%HAP \times 2000 \times 0.85$	$EF = \{(0.714 \times \%HAP) - 0.18\} \times 2000 \times 0.85$
		iv. vacuum bagging/closed-mold curing without roll-out	$EF = 0.169 \times \%HAP \times 2000 \times 0.55$	$EF = \{(0.714 \times \%HAP) - 0.18\} \times 2000 \times 0.55$
	c. nonatomized mechanical resin application	i. nonvapor-suppressed resin	$EF = 0.107 \times \%HAP \times 2000$	$EF = \{(0.157 \times \%HAP) - 0.0155\} \times 2000$
		ii. vapor-suppressed resin	$EF = 0.107 \times \%HAP \times 2000 \times \{1 - (0.45 \times VSE \text{ factor})\}$	$EF = \{(0.157 \times \%HAP) - 0.0155\} \times 2000 \times \{1 - (0.45 \times VSE \text{ factor})\}$
		iii. closed-mold curing with roll-out	$EF = 0.107 \times \%HAP \times 2000 \times 0.85$	$EF = \{(0.157 \times \%HAP) - 0.0155\} \times 2000 \times 0.85$
		iv. vacuum bagging/closed-mold curing without roll-out	$EF = 0.107 \times \%HAP \times 2000 \times 0.55$	$EF = \{(0.157 \times \%HAP) - 0.0155\} \times 2000 \times 0.55$
	d. atomized mechanical resin application with robotic or automated spray control	nonvapor-suppressed resin	$EF = 0.169 \times \%HAP \times 2000 \times 0.77$	$EF = 0.77 \times \{(0.714 \times \%HAP) - 0.18\} \times 2000$
	e. filament application	i. nonvapor-suppressed resin	$EF = 0.184 \times \%HAP \times 2000$	$EF = \{(0.2746 \times \%HAP) - 0.0298\} \times 2000$
		ii. vapor-suppressed resin	$EF = 0.12 \times \%HAP \times 2000$	$EF = \{(0.2746 \times \%HAP) - 0.0298\} \times 2000 \times 0.65$
	f. atomized spray gel coat application	nonvapor-suppressed gel coat	$EF = 0.445 \times \%HAP \times 2000$	$EF = \{11.03546 \times \%HAP\} - 0.195\} \times 2000$

View or download PDF

	g. nonatomized spray gel coat application	nonvapor-suppressed gel coat	$EF = 0.185 \times \%HAP \times 2000$	$EF = ((0.4506 \times \%HAP) - 0.0505) \times 2000$
	h. atomized spray gel coat application using robotic or automated spray	nonvapor-suppressed gel coat	$EF = 0.445 \times \%HAP \times 2000 \times 0.73$	$EF = ((1.93646 \times \%HAP) - 0.195) \times 2000 \times 0.73$
2. centrifugal casting operations <sup>7B</sup>	a. heated air blown through molds	nonvapor-suppressed resin	$EF = 0.558 \times (\%HAP) \times 2000$	$EF = 0.558 \times (\%HAP) \times 2000$
	b. vented molds, but air vented through the molds is not heated	nonvapor-suppressed resin	$EF = 0.026 \times (\%HAP) \times 2000$	$EF = 0.026 \times (\%HAP) \times 2000$

**Footnotes to Table 1**

- <sup>1</sup> The equations in this table are intended for use in calculating emission factors to demonstrate compliance with the emission limits in subpart WWW. These equations may not be the most appropriate method to calculate emission estimates for other purposes. However, this does not preclude a facility from using the equations in this table to calculate emission factors for purposes other than rule compliance if these equations are the most accurate available.
- <sup>2</sup> To obtain the organic HAP emissions factor value for an operation with an add-on control device multiply the EF above by the add-on control factor calculated using Equation 1 of §63.5810. The organic HAP emissions factors have units of lbs of organic HAP per ton of resin or gel coat applied.
- <sup>3</sup> Percent HAP means total weight percent of organic HAP (styrene, methyl methacrylate, and any other organic HAP) in the resin or gel coat prior to the addition of fillers, catalyst, and promoters. Input the percent HAP as a decimal, i.e., 33 percent HAP should be input as 0.33, not 33.
- <sup>4</sup> The VSB factor means the percent reduction in organic HAP emissions expressed as a decimal measured by the VSB test method of appendix A to this subpart.
- <sup>5</sup> This equation is based on a organic HAP emissions factor equation developed for mechanical atomized controlled spray. It may only be used for automated or robotic spray systems with atomized spray. All spray operations using hand held spray guns must use the appropriate mechanical atomized or mechanical nonatomized organic HAP emissions factor equation. Automated or robotic spray systems using nonatomized spray should use the appropriate nonatomized mechanical resin application equation.
- <sup>6</sup> Applies only to filament application using an open resin bath. If resin is applied manually or with a spray gun, use the appropriate manual or mechanical application organic HAP emissions factor equation.
- <sup>7</sup> These equations are for centrifugal casting operations where the mold is vented during spinning. Centrifugal casting operations where the mold is completely sealed after resin injection are considered to be closed molding operations.
- <sup>8</sup> If a centrifugal casting operation uses mechanical or manual resin application techniques to apply resin to an open centrifugal casting mold, use the appropriate open molding equation with covered cure and no rollout to determine an emission factor for operations prior to the closing of the centrifugal casting mold. If the closed centrifugal casting mold is vented during spinning, use the appropriate centrifugal casting equation to calculate an emission factor for the portion of the process where spinning and cure occur. If a centrifugal casting operation uses mechanical or manual resin application techniques to apply resin to an open centrifugal casting mold, and the mold is then closed and is not vented, treat the entire operation as open molding with covered cure and no rollout to determine emission factors.

View or download PDF

[70 FR 50129, Aug. 26, 2005]

**ATTACHMENT 1 – 40 CFR PART 63, SUBPART WWWW**

**Table 2 to Subpart WWWW of Part 63—Compliance Dates for New and Existing Reinforced Plastic Composites Facilities**

As required in §§63.5800 and 63.5840 you must demonstrate compliance with the standards by the dates in the following table:

<b>If your facility is . . .</b>	<b>And . . .</b>	<b>Then you must comply by this date . . .</b>
1. An existing source	a. Is a major source on or before the publication date of this subpart	i. April 21, 2006, or ii. You must accept and meet an enforceable HAP emissions limit below the major source threshold prior to April 21, 2006.
2. An existing source that is an area source	Becomes a major source after the publication date of this subpart	3 years after becoming a major source or April 21, 2006, whichever is later.
3. An existing source, and emits less than 100 tpy of organic HAP from the combination of all centrifugal casting and continuous lamination/casting operations at the time of initial compliance with this subpart	Subsequently increases its actual organic HAP emissions to 100 tpy or more from these operations, which requires that the facility must now comply with the standards in §63.5805(b)	3 years of the date your semi-annual compliance report indicates your facility meets or exceeds the 100 tpy threshold.
4. A new source	Is a major source at startup	Upon startup or April 21, 2003, whichever is later.
5. A new source	Is an area source at startup and becomes a major source	Immediately upon becoming a major source.
6. A new source, and emits less than 100 tpy of organic HAP from the combination of all open molding, centrifugal casting, continuous lamination/casting, pultrusion, SMC and BMC manufacturing, and mixing operations at the time of initial compliance with this subpart	Subsequently increases its actual organic HAP emissions to 100 tpy or more from the combination of these operations, which requires that the facility must now meet the standards in §63.5805(d)	3 years from the date that your semi-annual compliance report indicates your facility meets or exceeds the 100 tpy threshold.

**Table 3 to Subpart WWW of Part 63—Organic HAP Emissions Limits for Existing Open Molding Sources, New Open Molding Sources Emitting Less Than 100 TPY of HAP, and New and Existing Centrifugal Casting and Continuous Lamination/Casting Sources that Emit Less Than 100 TPY of HAP**

As specified in §63.5805, you must meet the following organic HAP emissions limits that apply to you:

**Table 3 to Subpart WWW of Part 63—Organic HAP Emissions Limits for Specific Open Molding, Centrifugal Casting, Pultrusion and Continuous Lamination/Casting Operations**

If your operation type is . . .	And you use . . .	<sup>1</sup> Your organic HAP emissions limit is . . .
1. open molding—corrosion-resistant and/or high strength (CR/HS)	a. mechanical resin application b. filament application c. manual resin application	113 lb/ton. 171 lb/ton. 123 lb/ton.
2. open molding—non-CR/HS	a. mechanical resin application b. filament application c. manual resin application	88 lb/ton. 188 lb/ton. 87 lb/ton.
3. open molding—tooling	a. mechanical resin application b. manual resin application	254 lb/ton. 157 lb/ton.
4. open molding—low-flame spread/low-smoke products	a. mechanical resin application b. filament application c. manual resin application	497 lb/ton. 270 lb/ton. 238 lb/ton.
5. open molding—shrinkage controlled resins <sup>2</sup>	a. mechanical resin application b. filament application c. manual resin application	354 lb/ton. 215 lb/ton. 180 lb/ton.
6. open molding—gel coat <sup>3</sup>	a. tooling gel coating b. white/off white pigmented gel coating c. all other pigmented gel coating d. CR/HS or high performance gel coat e. fire retardant gel coat f. clear production gel coat	440 lb/ton. 267 lb/ton. 377 lb/ton. 605 lb/ton. 854 lb/ton. 522 lb/ton.
7. centrifugal casting—CR/HS	a. resin application with the mold closed, and the mold is vented during spinning and cure b. resin application with the mold closed, and the mold is not vented during spinning and cure c. resin application with the mold open, and the mold is vented during spinning and cure d. resin application with the mold open, and the mold is not vented during spinning and cure	25 lb/ton. <sup>4</sup> NA—this is considered to be a closed molding operation. 25 lb/ton. <sup>4</sup> Use the appropriate open molding emission limit. <sup>5</sup>
8. centrifugal casting—non-CR/HS	a. resin application with the mold closed, and the mold is vented during spinning and cure b. resin application with the mold closed, and mold is not vented during the spinning and cure c. resin application with the mold open, and the mold is vented during spinning and cure d. resin application with the mold open, and the mold is not vented	20 lb/ton. <sup>4</sup> NA—this is considered to be a closed molding operation. 20 lb/ton. <sup>4</sup> Use the appropriate open molding emission limit. <sup>5</sup>

**ATTACHMENT 1 – 40 CFR PART 63, SUBPART WWWW**

	during spinning and cure	
9. pultrusion <sup>6</sup>	N/A	reduce total organic HAP emissions by at least 60 weight percent.
10. continuous lamination/casting	N/A	reduce total organic HAP emissions by at least 58.5 weight percent or not exceed an organic HAP emissions limit of 15.7 lbs of organic HAP per ton of neat resin plus and neat gel coat plus.

<sup>1</sup>Organic HAP emissions limits for open molding and centrifugal casting are expressed as lb/ton. You must be at or below these values based on a 12-month rolling average.

<sup>2</sup>This emission limit applies regardless of whether the shrinkage controlled resin is used as a production resin or a tooling resin.

<sup>3</sup>If you only apply gel coat with manual application, for compliance purposes treat the gel coat as if it were applied using atomized spray guns to determine both emission limits and emission factors. If you use multiple application methods and any portion of a specific gel coat is applied using nonatomized spray, you may use the nonatomized spray gel coat equation to calculate an emission factor for the manually applied portion of that gel coat. Otherwise, use the atomized spray gel coat application equation to calculate emission factors.

<sup>4</sup>For compliance purposes, calculate your emission factor using only the appropriate centrifugal casting equation in item 2 of Table 1 to this subpart, or a site specific emission factor for after the mold is closed as discussed in §63.5796.

<sup>5</sup>Calculate your emission factor using the appropriate open molding covered cure emission factor in item 1 of Table 1 to this subpart, or a site specific emission factor as discussed in §63.5796.

<sup>6</sup>Pultrusion machines that produce parts that meet the following criteria: 1,000 or more reinforcements or the glass equivalent of 1,000 ends of 113 yield roving or more; and have a cross sectional area of 60 square inches or more are not subject to this requirement. Their requirement is the work practice of air flow management which is described in Table 4 to this subpart.

[70 FR 50131, Aug. 25, 2005]

**Table 4 to Subpart WWW of Part 63—Work Practice Standards**

As specified in §63.5805, you must meet the work practice standards in the following table that apply to you:

**Table 4 to Subpart WWW of Part 63—Work Practice Standards**

For ...	You must ...
1. a new or existing closed molding operation using compression/injection molding	uncover, unwrap or expose only one charge per mold cycle per compression/injection molding machine. For machines with multiple molds, one charge means sufficient material to fill all molds for one cycle. For machines with robotic loaders, no more than one charge may be exposed prior to the loader. For machines fed by hoppers, sufficient material may be uncovered to fill the hopper. Hoppers must be closed when not adding materials. Materials may be uncovered to feed to slitting machines. Materials must be recovered after slitting.
2. a new or existing cleaning operation	not use cleaning solvents that contain HAP, except that styrene may be used as a cleaner in closed systems, and organic HAP containing cleaners may be used to clean cured resin from application equipment. Application equipment includes any equipment that directly contacts resin.
3. a new or existing materials HAP-containing materials storage operation	keep containers that store HAP-containing materials closed or covered except during the addition or removal of materials. Bulk HAP-containing materials storage tanks may be vented as necessary for safety.
4. an existing or new SMC manufacturing operation	close or cover the resin delivery system to the doctor box on each SMC manufacturing machine. The doctor box itself may be open.
5. an existing or new SMC manufacturing operation	use a nylon containing film to enclose SMC.
6. all mixing or BMC manufacturing operations <sup>1</sup>	use mixer covers with no visible gaps present in the mixer covers, except that gaps of up to 1 inch are permissible around mixer shafts and any required instrumentation.
7. all mixing or BMC manufacturing operations <sup>1</sup>	close any mixer vents when actual mixing is occurring, except that venting is allowed during addition of materials, or as necessary prior to adding materials or opening the cover for safety. Vents routed to a 95 percent efficient control device are exempt from this requirement.
8. all mixing or BMC manufacturing operations <sup>1</sup>	keep the mixer covers closed while actual mixing is occurring except when adding materials or changing covers to the mixing vessels.
9. a new or existing pultrusion operation manufacturing parts that meet the following criteria: 1,000 or more reinforcements or the glass equivalent of 1,000 ends of 113 yield roving or more; and have a cross sectional area of 60 square inches or more that is not subject to the 95 percent organic HAP emission reduction requirement	<ul style="list-style-type: none"> <li>i. not allow vents from the building ventilation system, or local or portable fans to blow directly on or across the wet-out area(s),</li> <li>ii. not permit point suction of ambient air in the wet-out area(s) unless that air is directed to a control device,</li> <li>iii. use devices such as deflectors, baffles, and curtains when practical to reduce air flow velocity across the wet-out area(s),</li> <li>iv. direct any compressed air exhausts away from resin and wet-out area(s),</li> </ul>
	<ul style="list-style-type: none"> <li>v. convey resin collected from drip-off pans or other devices to reservoirs, tanks, or sumps via covered troughs, pipes, or other covered conveyance that shields the resin from the ambient air,</li> <li>vi. cover all reservoirs, tanks, sumps, or HAP-containing materials storage vessels except when they are being charged or filled, and</li> </ul>



	vii. cover or shield from ambient air resin delivery systems to the wet-out area(s) from reservoirs, tanks, or sumps where practical.
--	---

<sup>1</sup>Containers of 5 gallons or less may be open when active mixing is taking place, or during periods when they are in process (i.e., they are actively being used to apply resin). For polymer casting mixing operations, containers with a surface area of 500 square inches or less may be open while active mixing is taking place.

[70 FR 50133, Aug. 25, 2005]

**Alternative Organic HAP Emissions Limits for Open Molding, Centrifugal Casting, and SMC Manufacturing Operations Where the Standards are Based on a 95 Percent Reduction Requirement**

As specified in §63.5805, as an alternative to the 95 percent organic HAP emissions reductions requirement, you may meet the appropriate organic HAP emissions limits in the following table:

<b>If your operation type is . . .</b>	<b>And you use . . .</b>	<b>Your organic HAP emissions limit is a<sup>1</sup>. . .</b>
1. Open molding—corrosion-resistant and/or high strength (CR/HS)	a. Mechanical resin application	6 lb/ton.
	b. Filament application	9 lb/ton.
	c. Manual resin application	7 lb/ton.
2. Open molding—non-CR/HS	a. mechanical resin application	13 lb/ton.
	b. Filament application	10 lb/ton.
	c. Manual resin application	5 lb/ton.
3. Open molding—tooling	a. Mechanical resin application	13 lb/ton.
	b. Manual resin application	8 lb/ton.
4. Open molding—low flame spread/low smoke products	a. Mechanical resin application	25 lb/ton.
	b. Filament application	14 lb/ton.
	c. Manual resin application	12 lb/ton.
5. Open molding—shrinkage controlled resins	a. Mechanical resin application	18 lb/ton.
	b. Filament application	11 lb/ton.
	c. Manual resin application	9 lb/ton.
6. Open molding—gel coat <sup>2</sup>	a. Tooling gel coating	22 lb/ton.
	b. White/off white pigmented gel coating	22 lb/ton.
	c. All other pigmented gel coating	19 lb/ton.
	d. CR/HS or high performance gel coat	31 lb/ton.
	e. Fire retardant gel coat	43 lb/ton.
	f. Clear production gel coat	27 lb/ton.
7. Centrifugal casting—CR/HS <sup>3,4</sup>	A vent system that moves heated air through the mold	27 lb/ton.
8. Centrifugal casting—non-CR/HS <sup>3,4</sup>	A vent system that moves heated air through the mold	21 lb/ton.
7. Centrifugal casting—CR/HS <sup>3,4</sup>	A vent system that moves ambient air through the mold	2 lb/ton.
8. Centrifugal casting—non-CR/HS <sup>3,4</sup>	A vent system that moves ambient air through the mold	1 lb/ton.
9. SMC Manufacturing	N/A	2.4 lb/ton.

<sup>1</sup>Organic HAP emissions limits for open molding and centrifugal casting expressed as lb/ton are calculated using the equations shown in Table 1 to this subpart. You must be at or below these values based on a 12-month rolling average.

<sup>2</sup>These limits are for spray application of gel coat. Manual gel coat application must be included as part of spray gel coat application for compliance purposes using the same organic HAP emissions factor equation and organic HAP emissions limit. If you only apply gel coat with manual application, treat the manually applied gel coat as if it were applied with atomized spray for compliance determinations.

<sup>3</sup>Centrifugal casting operations where the mold is not vented during spinning and cure are considered to be closed molding and are not subject to any emissions limit. Centrifugal casting operations where the mold is not vented during spinning and cure, and the resin is applied to the open centrifugal casting mold using mechanical or manual open molding resin application techniques are considered to be open molding operations and the appropriate open molding emission limits apply.

<sup>4</sup>Centrifugal casting operations where the mold is vented during spinning and the resin is applied to the open centrifugal casting mold using mechanical or manual open molding resin application techniques, use the appropriate centrifugal casting emission limit to determine compliance. Calculate your emission factor using the appropriate centrifugal casting emission factor in Table 1 to this subpart, or a site specific emission factor as discussed in §63.5796.

[68 FR 19402, Apr. 21, 2003, as amended at 70 FR 50133, Aug. 25, 2005]

**Table 6 to Subpart WWW of Part 63—Basic Requirements for Performance Tests, Performance Evaluations, and Design Evaluations for New and Existing Sources Using Add-On Control Devices**

As required in §63.5850 you must conduct performance tests, performance evaluations, and design evaluation according to the requirements in the following table:

For . . .	You must . . .	Using . . .	According to the following requirements . . .
1. Each enclosure used to collect and route organic HAP emissions to an add-on control device that is a PTE	Meet the requirements for a PTE	EPA method 204 of appendix M of 40 CFR part 51	Enclosures that meet the requirements of EPA Method 204 of appendix M of 40 CFR part 51 for a PTE are assumed to have a capture efficiency of 100%. Note that the criteria that all access doors and windows that are not treated as natural draft openings shall be closed during routine operation of the process is not intended to require that these doors and windows be closed at all times. It means that doors and windows must be closed any time that you are not actually moving parts or equipment through them. Also, any styrene retained in hollow parts and liberated outside the PTE is not considered to be a violation of the EPA Method 204 criteria.
2. Each enclosure used to collect and route organic HAP emissions to an add-on control device that is not a PTE	a. Determine the capture efficiency of each enclosure used to capture organic HAP emissions sent to an add-on control device	i. EPA methods 204B through E of appendix M of 40 CFR part 51, or	(1) Enclosures that do not meet the requirements for a PTE must determine the capture efficiency by constructing a temporary total enclosure according to the requirements of EPA Method 204 of appendix M of 40 CFR part 51 and measuring the mass flow rates of the organic HAP in the exhaust streams going to the atmosphere and to the control device. Test runs for EPA Methods 204B through E of appendix M of 40 CFR part 51 must be at least 3 hours.
		ii. An alternative test method that meets the requirements in 40 CFR part 51, appendix M	(1) The alternative test method must the data quality objectives and lower confidence limit approaches for alternative capture efficiency protocols requirements contained in 40 CFR part 63 subpart KK, appendix A.
3. Each control device used to comply with a percent reduction requirement, or an organic HAP emissions limit	Determine the control efficiency of each control device used to control organic HAP emissions	The test methods specified in §63.5850 to this subpart	Testing and evaluation requirements are contained in 40 CFR part 63, subpart SS, and §63.5850 to this subpart.
4. Determining organic HAP emission factors for any operation	Determine the mass organic HAP emissions rate	The test methods specified in §63.5850 to this subpart	Testing and evaluation requirements are contained in 40 CFR part 63, subpart SS, and §63.5850 to this subpart.

**Table 7 to Subpart WWWW of Part 63—Options Allowing Use of the Same Resin Across Different Operations That Use the Same Resin Type**

As specified in §63.5810(d), when electing to use the same resin(s) for multiple resin application methods, you may use any resin(s) with an organic HAP content less than or equal to the values shown in the following table, or any combination of resins whose weighted average organic HAP content based on a 12-month rolling average is less than or equal to the values shown the following table:

**Table 7—to Subpart WWWW of Part 63—Options Allowing Use of the Same Resin Across Different Operations That Use the Same Resin Type**

If your facility has the following resin type and application method . . .	The highest resin weight is* * * percent organic HAP content, or weighted average weight percent organic HAP content, you can use for . . .	is . . .
1. CR/HS resins, centrifugal casting <sup>1,2</sup>	a. CR/HS mechanical	<sup>3</sup> 48.0
	b. CR/HS filament application	48.0
	c. CR/HS manual	48.0
2. CR/HS resins, nonatomized mechanical	a. CR/HS filament application	46.4
	b. CR/HS manual	46.4
3. CR/HS resins, filament application	CR/HS manual	42.0
4. non-CR/HS resins, filament application	a. non-CR/HS mechanical	<sup>3</sup> 45.0
	b. non-CR/HS manual	45.0
	c. non-CR/HS centrifugal casting <sup>1,2</sup>	45.0
5. non-CR/HS resins, nonatomized mechanical	a. non-CR/HS manual	38.5
	b. non-CR/HS centrifugal casting <sup>1,2</sup>	38.5
6. non-CR/HS resins, centrifugal casting <sup>1,2</sup>	non-CR/HS manual	37.5
7. tooling resins, nonatomized mechanical	tooling manual	91.4
8. tooling resins, manual	tooling atomized mechanical	45.9

<sup>1</sup>If the centrifugal casting operation blows heated air through the molds, then 95 percent capture and control must be used if the facility wishes to use this compliance option.

<sup>2</sup>If the centrifugal casting molds are not vented, the facility may treat the centrifugal casting operations as if they were vented if they wish to use this compliance option.

<sup>3</sup>Nonatomized mechanical application must be used.

[70 FR 50133, Aug. 25, 2005]

**Table 8 to Subpart WWW of Part 63—Initial Compliance With Organic HAP Emissions Limits**

As specified in §63.5860(a), you must demonstrate initial compliance with organic HAP emissions limits as specified in the following table:

**Table 8 to Subpart WWW of Part 63—Initial Compliance With Organic HAP Emissions Limits**

For . . .	That must meet the following organic HAP emissions limit . . .	You have demonstrated initial compliance if . . .
1. open molding and centrifugal casting operations	a. an organic HAP emissions limit shown in Tables 3 or 5 to this subpart, or an organic HAP content limit shown in Table 7 to this subpart	i. you have met the appropriate organic HAP emissions limits for these operations as calculated using the procedures in §63.5810 on a 12-month rolling average 1 year after the appropriate compliance date, and/or ii. you demonstrate that any individual resins or gel coats not included in (i) above, as applied, meet their applicable emission limits, or iii. you demonstrate using the appropriate values in Table 7 to this subpart that the weighted average of all resins and gel coats for each resin type and application method meet the appropriate organic HAP contents.
2. open molding centrifugal casting, continuous lamination/casting, SMC and BMC manufacturing, and mixing operations	a. reduce total organic HAP emissions by at least 95 percent by weight	total organic HAP emissions, based on the results of the capture efficiency and destruction efficiency testing specified in Table 6 to this subpart, are reduced by at least 95 percent by weight.
3. continuous lamination/casting operations	a. reduce total organic HAP emissions, by at least 58.5 weight percent, or	total organic HAP emissions, based on the results of the capture efficiency and destruction efficiency in Table 6 to this subpart and the calculation procedures specified in §§63.5865 through 63.5890, are reduced by at least 58.5 percent by weight.
	b. not exceed an organic HAP emissions limit of 15.7 lbs of organic HAP per ton of neat resin plus and neat gel coat plus	total organic HAP emissions, based on the results of the capture efficiency and destruction efficiency testing specified in Table 6 to this subpart and the calculation procedures specified in §§63.5865 through 63.5890, do not exceed 15.7 lbs of organic HAP per ton of neat resin plus and neat gel coat plus.
4. continuous lamination/casting operations	a. reduce total organic HAP emissions by at least 95 weight percent or	total organic HAP emissions, based on the results of the capture efficiency and destruction efficiency testing specified in Table 6 to this subpart and the calculation procedures specified in §§63.5865 through 63.5890, are reduced by at least 95 percent by weight
	b. not exceed an organic HAP emissions limit of 1.47 lbs of organic HAP per ton of neat resin plus and neat gel coat plus	total organic HAP emissions, based on the results of the capture efficiency and destruction efficiency testing specified in Table 6 and the calculation procedures specified in §§63.5865 through 63.5890, do not exceed 1.47 lbs of organic HAP of per ton of neat resin plus and neat gel coat plus.
5. pultrusion operations	a. reduce total organic HAP emissions by at least 60 percent by weight	i. total organic HAP emissions, based on the results of the capture efficiency and add-on control device destruction efficiency testing specified in Table 6 to this subpart, are reduced by at least 60 percent by weight, and/or ii. as part of the notification of initial compliance status, the owner/operator submits a certified statement that all pultrusion lines not controlled with an add-on control

**ATTACHMENT 1 – 40 CFR PART 63, SUBPART WWWW**

<b>For . . .</b>	<b>That must meet the following organic HAP emissions limit . . .</b>	<b>You have demonstrated initial compliance if . . .</b>
1. open molding and centrifugal casting operations	a. an organic HAP emissions limit shown in Tables 3 or 5 to this subpart, or an organic HAP content limit shown in Table 7 to this subpart	i. you have met the appropriate organic HAP emissions limits for these operations as calculated using the procedures in §63.5810 on a 12-month rolling average 1 year after the appropriate compliance date, and/or ii. you demonstrate that any individual resins or gel coats not included in (i) above, as applied, meet their applicable emission limits, or iii. you demonstrate using the appropriate values in Table 7 to this subpart that the weighted average of all resins and gel coats for each resin type and application method meet the appropriate organic HAP contents.
2. open molding centrifugal casting, continuous lamination/casting, SMC and BMC manufacturing, and mixing operations	a. reduce total organic HAP emissions by at least 95 percent by weight	total organic HAP emissions, based on the results of the capture efficiency and destruction efficiency testing specified in Table 6 to this subpart, are reduced by at least 95 percent by weight.
3. continuous lamination/casting operations	a. reduce total organic HAP emissions, by at least 58.5 weight percent, or	total organic HAP emissions, based on the results of the capture efficiency and destruction efficiency in Table 6 to this subpart and the calculation procedures specified in §§63.5865 through 63.5890, are reduced by at least 58.5 percent by weight.
	b. not exceed an organic HAP emissions limit of 15.7 lbs of organic HAP per ton of neat resin plus and neat gel coat plus	total organic HAP emissions, based on the results of the capture efficiency and destruction efficiency testing specified in Table 6 to this subpart and the calculation procedures specified in §§63.5865 through 63.5890, do not exceed 15.7 lbs of organic HAP per ton of neat resin plus and neat gel coat plus.
4. continuous lamination/casting operations	a. reduce total organic HAP emissions by at least 95 weight percent or	total organic HAP emissions, based on the results of the capture efficiency and destruction efficiency testing specified in Table 6 to this subpart and the calculation procedures specified in §§63.5865 through 63.5890, are reduced by at least 95 percent by weight
		device, but for which an emission reduction is being claimed, are using direct die injection, and/or wet-area enclosures that meet the criteria of §63.5830.
6. pultrusion operations	a. reduce total organic HAP emissions by at least 95 percent by weight	i. total organic HAP emissions, based on the results of the capture efficiency and add-on control device destruction efficiency testing specified in Table 6 to this subpart, are reduced by at least 95 percent by weight.

[70 FR 50134, Aug. 25, 2005]

**Table 9 to Subpart WWW of Part 63—Initial Compliance With Work Practice Standards**

As specified in §63.5860(a), you must demonstrate initial compliance with work practice standards as specified in the following table:

**Table 9 To Subpart WWW of Part 63—Initial Compliance With Work Practice Standards**

For . . .	That must meet the following standards . . .	You have demonstrated initial compliance if . . .
1. a new or existing closed molding operation using compression/injection molding	uncover, unwrap or expose only one charge per mold cycle per compression/injection molding machine. For machines with multiple molds, one charge means sufficient material to fill all molds for one cycle. For machines with robotic loaders, no more than one charge may be exposed prior to the loader. For machines fed by hoppers, sufficient material may be uncovered to fill the hopper. Hoppers must be closed when not adding materials. Materials may be uncovered to feed to slitting machines. Materials must be recovered after slitting	the owner or operator submits a certified statement in the notice of compliance status that only one charge is uncovered, unwrapped, or exposed per mold cycle per compression/injection molding machine, or prior to the loader, hoppers are closed except when adding materials, and materials are recovered after slitting.
2. a new or existing cleaning operation	not use cleaning solvents that contain HAP, except that styrene may be used in closed systems, and organic HAP containing materials may be used to clean cured resin from application equipment. Application equipment includes any equipment that directly contacts resin between storage and applying resin to the mold or reinforcement	the owner or operator submits a certified statement in the notice of compliance status that all cleaning materials, except styrene contained in closed systems, or materials used to clean cured resin from application equipment, contain no HAP.
3. a new or existing materials HAP-containing materials storage operation	keep containers that store HAP-containing materials closed or covered except during the addition or removal of materials. Bulk HAP-containing materials storage tanks may be vented as necessary for safety	the owner or operator submits a certified statement in the notice of compliance status that all HAP-containing storage containers are kept closed or covered except when adding or removing materials, and that any bulk storage tanks are vented only as necessary for safety.
4. an existing or new SMC manufacturing operation	close or cover the resin delivery system to the doctor box on each SMC manufacturing machine. The doctor box itself may be open	the owner or operator submits a certified statement in the notice of compliance status that the resin delivery system is closed or covered.
5. an existing or new SMC manufacturing operation	use a nylon containing film to enclose SMC	the owner or operator submits a certified statement in the notice of compliance status that a nylon-containing film is used to enclose SMC.
6. an existing or new mixing or BMC manufacturing operation	use mixer covers with no visible gaps present in the mixer covers, except that gaps of up to 1 inch are permissible around mixer shafts and any required instrumentation	the owner or operator submits a certified statement in the notice of compliance status that mixer covers are closed during mixing except when adding materials to the mixers, and that gaps around mixer shafts and required instrumentation are less than



**ATTACHMENT 1 – 40 CFR PART 63, SUBPART WWWW**

For . . .	That must meet the following standards . . .	You have demonstrated initial compliance if . . .
		1 inch.
7. an existing mixing or BMC manufacturing operation	not actively vent mixers to the atmosphere while the mixing agitator is turning, except that venting is allowed during addition of materials, or as necessary prior to adding materials for safety	the owner or operator submits a certified statement in the notice of compliance status that mixers are not actively vented to the atmosphere when the agitator is turning except when adding materials or as necessary for safety.
8. a new or existing mixing or BMC manufacturing operation	keep the mixer covers closed during mixing except when adding materials to the mixing vessels	the owner or operator submits a certified statement in the notice of compliance status that mixers closed except when adding materials to the mixing vessels.
9. a new or existing pultrusion operation manufacturing parts that meet the following criteria: 1,000 or more reinforcements or the glass equivalent of 1,000 ends of 113 yield roving or more; and have a cross sectional area of 60 square inches or more that is not subject to the 95 percent organic HAP emission reduction requirement	i. Not allow vents from the building ventilation system, or local or portable fans to blow directly on or across the wet-out area(s), ii. not permit point suction of ambient air in the wet-out area(s) unless that air is directed to a control device, iii. use devices such as deflectors, baffles, and curtains when practical to reduce air flow velocity across the wet-out area(s), iv. direct any compressed air exhausts away from resin and wet-out area(s), v. convey resin collected from drip-off pans or other devices to reservoirs, tanks, or sumps via covered troughs, pipes, or other covered conveyance that shields the resin from the ambient air, vi. clover all reservoirs, tanks, sumps, or HAP-containing materials storage vessels except when they are being charged or filled, and vii. cover or shield from ambient air resin delivery systems to the wet-out area(s) from reservoirs, tanks, or sumps where practical.	the owner or operator submits a certified statement in the notice of compliance status that they have complied with all the requirements listed in 9.i through 9.vii.

[70 FR 50135, Aug. 25, 2005]

**Table 10 to Subpart WWW of Part 63—Data Requirements for New and Existing Continuous Lamination Lines and Continuous Casting Lines Complying with a Percent Reduction Limit on a Per Line Basis**

As required in §63.5865(a), in order to comply with a percent reduction limit for continuous lamination lines and continuous casting lines you must determine the data in the following table:

For each line where the wet-out area . . .	And the oven . . .	You must determine . . .
1. Has an enclosure that is not a permanent total enclosure (PTE) and the captured organic HAP emissions are controlled by an add-on control device	a. Is uncontrolled	i. Annual uncontrolled wet-out area organic HAP emissions, ii. Annual controlled wet-out area organic HAP emissions, iii. Annual uncontrolled oven organic HAP emissions, iv. The capture efficiency of the wet-out area enclosure,
		v. The destruction efficiency of the add-on control device, and vi. The amount of neat resin plus and neat gel coat plus applied.
2. Has an enclosure that is a PTE and the captured organic HAP emissions are controlled by an add-on control device	a. Is uncontrolled	i. Annual uncontrolled wet-out area organic HAP emissions, ii. Annual controlled wet-out area organic HAP emissions, iii. Annual uncontrolled oven organic HAP emissions, iv. That the wet-out area enclosure meets the requirements of EPA Method 204 of appendix M to 40 CFR part 51 for a PTE, v. The destruction efficiency of the add-on control device, and vi. The amount of neat resin plus and neat gel coat plus applied.
3. Is uncontrolled	a. Is controlled by an add-on control device	i. Annual uncontrolled wet-out area organic HAP emissions, ii. Annual uncontrolled oven organic HAP emissions, iii. Annual controlled oven organic HAP emissions, iv. The capture efficiency of the oven, v. the destruction efficiency of the add-on control device, and vi. the amount of neat resin plus and neat gel coat plus applied.
4. Has an enclosure that is not a PTE and the captured organic HAP emissions are controlled by an add-on control device	a. Is controlled by an add-on control device	i. Annual uncontrolled wet-out area organic HAP emissions, ii. Annual controlled wet-out area organic HAP emissions, iii. Annual uncontrolled oven organic HAP emissions, iv. Annual controlled oven organic HAP emissions; v. The capture efficiency of the wet-out area enclosure, vi. Inlet organic HAP emissions to the add-on control device, vii. Outlet organic HAP emissions from the

**ATTACHMENT 1 – 40 CFR PART 63, SUBPART WWW**

For each line where the wet-out area ...	And the oven ...	You must determine ...
		add-on control device, and viii. The amount of neat resin plus and neat gel coat plus applied.
5. Has an enclosure that is a PTE and the captured organic HAP emissions are controlled by an add-on control device	a. Is controlled by an add-on control device	i. That the wet-out area enclosure meets the requirements of EPA Method 204 of appendix M to 40 CFR part 51 for a PTE, ii. The capture efficiency of the oven, and
		iii. The destruction efficiency of the add-on control device.

**Table 11 to Subpart WWW of Part 63—Data Requirements for New and Existing Continuous Lamination and Continuous Casting Lines Complying with a Percent Reduction Limit or a Lbs/Ton Limit on an Averaging Basis**

As required in §63.5865, in order to comply with a percent reduction limit or a lbs/ton limit on an averaging basis for continuous lamination lines and continuous casting lines you must determine the data in the following table:

<b>For each . . .</b>	<b>That . . .</b>	<b>You must determine . . .</b>
1. Wet-out area	Is uncontrolled	Annual uncontrolled wet-out area organic HAP emissions.
2. Wet-out area	a. Has an enclosure that is not a PTE	i. The capture efficiency of the enclosure, and ii. Annual organic HAP emissions that escape the enclosure.
3. Wet-out area	Has an enclosure that is a PTE	That the enclosure meets the requirements of EPA Method 204 of appendix M to 40 CFR part 51 for a PTE.
4. Oven	Is uncontrolled	Annual uncontrolled oven organic HAP emissions.
5. Line	a. Is controlled or uncontrolled	i. The amount of neat resin plus applied, and ii. The amount of neat gel coat plus applied.
6. Add-on control device		i. Total annual inlet organic HAP emissions, and total annual outlet organic HAP emissions.

**ATTACHMENT 1 – 40 CFR PART 63, SUBPART WWWW**

**Table 12 to Subpart WWWW of Part 63—Data Requirements for New and Existing Continuous Lamination Lines and Continuous Casting Lines Complying with a Lbs/Ton Organic HAP Emissions Limit on a Per Line Basis**

As required in §63.5865(b), in order to comply with a lbs/ton organic HAP emissions limit for continuous lamination lines and continuous casting lines you must determine the data in the following table:

<b>For each line where the wet- out area . . .</b>	<b>And the oven . . .</b>	<b>You must determine . . .</b>
1. Is uncontrolled	a. Is uncontrolled	i. Annual uncontrolled wet-out area organic HAP emissions, ii. Annual uncontrolled oven organic HAP emissions, and iii. Annual neat resin plus and neat gel coat plus applied.
2. Has an enclosure that is not a PTE and the captured organic HAP emissions are controlled by an add-on control device	a. Is uncontrolled	i. Annual uncontrolled wet-out area organic HAP emissions, ii. Annual controlled wet-out area organic HAP emissions, iii. Annual uncontrolled oven organic HAP emissions,  iv. The capture efficiency of the wet-out area enclosure, v. The destruction efficiency of the add-on control device, and vi. The amount of neat resin plus and neat gel coat plus applied.
3. Has an enclosure that is a PTE, and the captured organic HAP emissions are controlled by an add-on control device	a. Is uncontrolled	i. Annual uncontrolled wet-out area organic HAP emissions, ii. Annual controlled wet-out area organic HAP emissions, iii. Annual uncontrolled oven organic HAP emissions,  iv. That the wet-out area enclosure meets the requirements of EPA Method 204 of appendix M to 40 CFR part 51 for a PTE, v. The destruction efficiency of the add-on control device, and vi. The amount of neat resin plus and neat gel coat plus applied.
4. Is uncontrolled	a. Is controlled by an add-on control device	i. Annual uncontrolled wet-out area organic HAP emissions, ii. Annual uncontrolled oven organic HAP emissions, iii. Annual controlled oven organic HAP emissions,  iv. The capture efficiency of the oven, v. The destruction efficiency of the add-on control device, and vi. The amount of neat resin plus and neat gel coat plus applied.
5. Has an enclosure that is not a PTE and the captured organic HAP emissions are controlled by an add-on control device	a. Is controlled by an add-on control device	i. Annual uncontrolled wet-out area organic HAP emissions, ii. Annual controlled wet-out area organic HAP emissions, iii. Annual uncontrolled oven organic HAP

**ATTACHMENT 1 – 40 CFR PART 63, SUBPART v, WWW**

For each line where the wet- out area . . .	And the oven . . .	You must determine . . .
1. Is uncontrolled	a. Is uncontrolled	i. Annual uncontrolled wet-out area organic HAP emissions, ii. Annual uncontrolled oven organic HAP emissions, and iii. Annual neat resin plus and neat gel coat plus applied.
2. Has an enclosure that is not a PTE and the captured organic HAP emissions are controlled by an add-on control device	a. Is uncontrolled	i. Annual uncontrolled wet-out area organic HAP emissions, ii. Annual controlled wet-out area organic HAP emissions, iii. Annual uncontrolled oven organic HAP emissions,
		iv. The capture efficiency of the wet-out area enclosure, v. The destruction efficiency of the add-on control device, and vi. The amount of neat resin plus and neat gel coat plus applied.
3. Has an enclosure that is a PTE, and the captured organic HAP emissions are controlled by an add-on control device	a. Is uncontrolled	i. Annual uncontrolled wet-out area organic HAP emissions, ii. Annual controlled wet-out area organic HAP emissions, iii. Annual uncontrolled oven organic HAP emissions,
		iv. That the wet-out area enclosure meets the requirements of EPA Method 204 of appendix M to 40 CFR part 51 for a PTE, v. The destruction efficiency of the add-on control device, and vi. The amount of neat resin plus and neat gel coat plus applied.
4. Is uncontrolled	a. Is controlled by an add-on control device	i. Annual uncontrolled wet-out area organic HAP emissions, ii. Annual uncontrolled oven organic HAP emissions, iii. Annual controlled oven organic HAP emissions,
		emissions,
		iv. Annual controlled oven organic HAP emissions, v. The capture efficiency of the wet-out area enclosure, vi. The capture efficiency of the oven,
		vii. The destruction efficiency of the add-on control device, and viii. The amount of neat resin plus and neat gel coat plus applied.
6. Has an enclosure that is a PTE, and the captured organic HAP emissions are controlled by add-on control device	a. Is controlled by an add-on control device	i. That the wet-out area enclosure meets the requirements of EPA Method 204 of appendix M to 40 CFR part 51 for a PTE, ii. The capture efficiency of the oven, iii. Inlet organic HAP emissions to the an add-on

**ATTACHMENT 1 – 40 CFR PART 63, SUBPART WWWW**

For each line where the wet- out area . . .	And the oven . . .	You must determine . . .
1. Is uncontrolled	a. Is uncontrolled	i. Annual uncontrolled wet-out area organic HAP emissions, ii. Annual uncontrolled oven organic HAP emissions, and iii. Annual neat resin plus and neat gel coat plus applied.
2. Has an enclosure that is not a PTE and the captured organic HAP emissions are controlled by an add-on control device	a. Is uncontrolled	i. Annual uncontrolled wet-out area organic HAP emissions, ii. Annual controlled wet-out area organic HAP emissions, iii. Annual uncontrolled oven organic HAP emissions,
		iv. The capture efficiency of the wet-out area enclosure, v. The destruction efficiency of the add-on control device, and vi. The amount of neat resin plus and neat gel coat plus applied.
3. Has an enclosure that is a PTE, and the captured organic HAP emissions are controlled by an add-on control device	a. Is uncontrolled	i. Annual uncontrolled wet-out area organic HAP emissions, ii. Annual controlled wet-out area organic HAP emissions, iii. Annual uncontrolled oven organic HAP emissions,
		iv. That the wet-out area enclosure meets the requirements of EPA Method 204 of appendix M to 40 CFR part 51 for a PTE, v. The destruction efficiency of the add-on control device, and vi. The amount of neat resin plus and neat gel coat plus applied.
4. Is uncontrolled	a. Is controlled by an add-on control device	i. Annual uncontrolled wet-out area organic HAP emissions, ii. Annual uncontrolled oven organic HAP emissions, iii. Annual controlled oven organic HAP emissions,
		control device, and
		iv. Outlet organic HAP emissions from the add-on control device.

**Table 13 to Subpart WWW of Part 63—Applicability and Timing of Notifications**

As required in §63.5905(a), you must determine the applicable notifications and submit them by the dates shown in the following table:

If your facility . . .	You must submit . . .	By this date . . .
1. Is an existing source subject to this subpart	An Initial Notification containing the information specified in §63.9(b)(2)	No later than the dates specified in §63.9(b)(2).
2. Is a new source subject to this subpart	The notifications specified in §63.9(b)(4) and (5)	No later than the dates specified §63.9(b)(4) and (5).
3. Qualifies for a compliance extension as specified in §63.9(c)	A request for a compliance extension as specified in §63.9(c)	No later than the dates specified in §63.6(i).
4. Is complying with organic HAP emissions limit averaging provisions	A Notification of Compliance Status as specified in §63.9(h)	No later than 1 year plus 30 days after your facility's compliance date.
5. Is complying with organic HAP content limits, application equipment requirements, or organic HAP emissions limit other than organic HAP emissions limit averaging	A Notification of Compliance Status as specified in §63.9(h)	No later than 30 calendar days after your facility's compliance date.
6. Is complying by using an add-on control device	a. A notification of intent to conduct a performance test as specified in §63.9(e)	No later than the date specified in §63.9(e).
	b. A notification of the date for the CMS performance evaluation as specified in §63.9(g)	The date of submission of notification of intent to conduct a performance test.
	c. A Notification of Compliance Status as specified in §63.9(h)	No later than 60 calendar days after the completion of the add-on control device performance test and CMS performance evaluation.



**ATTACHMENT 1 – 40 CFR PART 63, SUBPART WWWW**

**Table 14 to Subpart WWWW of Part 63—Requirements for Reports**

As required in §63.5910(a), (b), (g), and (h), you must submit reports on the schedule shown in the following table:

<b>You must submit a(n)</b>	<b>The report must contain . . .</b>	<b>You must submit the report . . .</b>
1. Compliance report	a. A statement that there were no deviations during that reporting period if there were no deviations from any emission limitations (emission limit, operating limit, opacity limit, and visible emission limit) that apply to you and there were no deviations from the requirements for work practice standards in Table 4 to this subpart that apply to you. If there were no periods during which the CMS, including CEMS, and operating parameter monitoring systems, was out of control as specified in §63.8(c)(7), the report must also contain a statement that there were no periods during which the CMS was out of control during the reporting period	Semiannually according to the requirements in §63.5910(b).
	b. The information in §63.5910(d) if you have a deviation from any emission limitation (emission limit, operating limit, or work practice standard) during the reporting period. If there were periods during which the CMS, including CEMS, and operating parameter monitoring systems, was out of control, as specified in §63.8(c)(7), the report must contain the information in §63.5910(e)	Semiannually according to the requirements in §63.5910(b).
	c. The information in §63.10(d)(5)(i) if you had a startup, shutdown or malfunction during the reporting period, and you took actions consistent with your startup, shutdown, and malfunction plan	Semiannually according to the requirements in §63.5910(b).
2. An immediate startup, shutdown, and malfunction report if you had a startup, shutdown, or malfunction during the reporting period that is not consistent with your startup, shutdown, and malfunction plan	a. Actions taken for the event	By fax or telephone within 2 working days after starting actions inconsistent with the plan.
	b. The information in §63.10(d)(5)(ii)	By letter within 7 working days after the end of the event unless you have made alternative arrangements with the permitting authority. (§63.10(d)(5)(ii)).

**Table 15 to Subpart WWW of Part 63—Applicability of General Provisions (Subpart A) to Subpart WWW of Part 63**

As specified in §63.5925, the parts of the General Provisions which apply to you are shown in the following table:

<b>The general provisions reference . . .</b>	<b>That addresses . . .</b>	<b>And applies to subpart WWW of part 63 . . .</b>	<b>Subject to the following additional information . . .</b>
§63.1(a)(1)	General applicability of the general provisions	Yes	Additional terms defined in subpart WWW of Part 63, when overlap between subparts A and WWW of Part 63 of this part, subpart WWW of Part 63 takes precedence.
§63.1(a)(2) through (4)	General applicability of the general provisions	Yes	
§63.1(a)(5)	Reserved	No	
§63.1(a)(6)	General applicability of the general provisions	Yes	
§63.1(a)(7) through (9)	Reserved	No	
§63.1(a)(10) through (14)	General applicability of the general provisions	Yes	
§63.1(b)(1)	Initial applicability determination	Yes	Subpart WWW of Part 63 clarifies the applicability in §§63.5780 and 63.5785.
§63.1(b)(2)	Reserved	No.	
§63.1(b)(3)	Record of the applicability determination	Yes	
§63.1(c)(1)	Applicability of this part after a relevant standard has been set under this part	Yes	Subpart WWW of Part 63 clarifies the applicability of each paragraph of subpart A to sources subject to subpart WWW of Part 63.
§63.1(c)(2)	Title V operating permit requirement	Yes	All major affected sources are required to obtain a title V operating permit. Area sources are not subject to subpart WWW of Part 63.
§63.1(c)(3) and (4)	Reserved	No	
§63.1(c)(5)	Notification requirements for an area source that increases HAP emissions to major source levels	Yes	
§63.1(d)	Reserved	No	
§63.1(e)	Applicability of permit program before a relevant standard has been set under this part	Yes	
§63.2	Definitions	Yes	Subpart WWW of Part 63 defines terms in §63.5935. When overlap between subparts A and WWW of Part 63 occurs, you must comply with the subpart WWW of Part 63 definitions, which take precedence over the subpart A definitions.

**ATTACHMENT 1 – 40 CFR PART 63, SUBPART WWWW**

<b>The general provisions reference . . .</b>	<b>That addresses . . .</b>	<b>And applies to subpart WWWW of part 63 . . .</b>	<b>Subject to the following additional information . . .</b>
§63.3	Units and abbreviations	Yes	Other units and abbreviations used in subpart WWWW of Part 63 are defined in subpart WWWW of Part 63.
§63.4	Prohibited activities and circumvention	Yes	§63.4(a)(3) through (5) is reserved and does not apply.
§63.5(a)(1) and (2)	Applicability of construction and reconstruction	Yes	Existing facilities do not become reconstructed under subpart WWWW of Part 63.
§63.5(b)(1)	Relevant standards for new sources upon construction	Yes	Existing facilities do not become reconstructed under subpart WWWW of Part 63.
§63.5(b)(2)	Reserved	No	
§63.5(b)(3)	New construction/reconstruction	Yes	Existing facilities do not become reconstructed under subpart WWWW of Part 63.
§63.5(b)(4)	Construction/reconstruction notification	Yes	Existing facilities do not become reconstructed under subpart WWWW of Part 63.
§63.5(b)(5)	Reserved	No	
§63.5(b)(6)	Equipment addition or process change	Yes	Existing facilities do not become reconstructed under subpart WWWW of Part 63.
§63.5(c)	Reserved	No	
§63.5(d)(1)	General application for approval of construction or reconstruction	Yes	Existing facilities do not become reconstructed under subpart WWWW of Part 63.
§63.5(d)(2)	Application for approval of construction	Yes	
§63.5(d)(3)	Application for approval of reconstruction	No	
§63.5(d)(4)	Additional information	Yes	
§63.5(e)(1) through (5)	Approval of construction or reconstruction	Yes	
§63.5(f)(1) and (2)	Approval of construction or reconstruction based on prior State preconstruction review	Yes	
§63.6(a)(1)	Applicability of compliance with standards and maintenance requirements	Yes	
§63.6(a)(2)	Applicability of area sources that increase HAP emissions to become major sources	Yes	
§63.6(b)(1) through (5)	Compliance dates for new and reconstructed sources	Yes	Subpart WWWW of Part 63 clarifies compliance dates in §63.5800.
§63.6(b)(6)	Reserved	No	
§63.6(b)(7)	Compliance dates for new operations or equipment that cause an area source to become a major source	Yes	New operations at an existing facility are not subject to new source standards.

**ATTACHMENT 1 – 40 CFR PART 63, SUBPART v WWW**

<b>The general provisions reference . . .</b>	<b>That addresses . . .</b>	<b>And applies to subpart WWW of part 63 . . .</b>	<b>Subject to the following additional information . . .</b>
§63.6(c)(1) and (2)	Compliance dates for existing sources	Yes	Subpart WWW of Part 63 clarifies compliance dates in §63.5800.
§63.6(c)(3) and (4)	Reserved	No	
§63.6(c)(5)	Compliance dates for existing area sources that become major	Yes	Subpart WWW of Part 63 clarifies compliance dates in §63.5800.
§63.6(d)	Reserved	No	
§63.6(e)(1) and (2)	Operation & maintenance requirements	Yes	
§63.6(e)(3)	Startup, shutdown, and malfunction plan and recordkeeping	Yes	Subpart WWW of Part 63 requires a startup, shutdown, and malfunction plan only for sources using add-on controls.
§63.6(f)(1)	Compliance except during periods of startup, shutdown, and malfunction	No	Subpart WWW of Part 63 requires compliance during periods of startup, shutdown, and malfunction, except startup, shutdown, and malfunctions for sources using add-on controls.
§63.6(f)(2) and (3)	Methods for determining compliance	Yes	
§63.6(g)(1) through (3)	Alternative standard	Yes	
§63.6(h)	Opacity and visible emission Standards	No	Subpart WWW of Part 63 does not contain opacity or visible emission standards.
§63.6(i)(1) through (14)	Compliance extensions	Yes	
§63.6(i)(15)	Reserved	No	
§63.6(i)(16)	Compliance extensions	Yes	
§63.6(j)	Presidential compliance exemption	Yes	
§63.7(a)(1)	Applicability of performance testing requirements	Yes	
§63.7(a)(2)	Performance test dates	No	Subpart WWW of Part 63 initial compliance requirements are in §63.5840.
§63.7(a)(3)	CAA Section 114 authority	Yes	
§63.7(b)(1)	Notification of performance test	Yes	
§63.7(b)(2)	Notification rescheduled performance test	Yes	
§63.7(c)	Quality assurance program, including test plan	Yes	Except that the test plan must be submitted with the notification of the performance test.
§63.7(d)	Performance testing facilities	Yes	
§63.7(e)	Conditions for conducting performance tests	Yes	Performance test requirements are contained in §63.5850. Additional requirements for conducting

**ATTACHMENT 1 – 40 CFR PART 63, SUBPART WWWW**

<b>The general provisions reference . . .</b>	<b>That addresses . . .</b>	<b>And applies to subpart WWWW of part 63 . . .</b>	<b>Subject to the following additional information . . .</b>
			performance tests for continuous lamination/casting are included in §63.5870.
§63.7(f)	Use of alternative test method	Yes	
§63.7(g)	Performance test data analysis, recordkeeping, and reporting	Yes	
§63.7(h)	Waiver of performance tests	Yes	
§63.8(a)(1) and (2)	Applicability of monitoring requirements	Yes	
§63.8(a)(3)	Reserved	No	
§63.8(a)(4)	Monitoring requirements when using flares	Yes	
§63.8(b)(1)	Conduct of monitoring exceptions	Yes	
§63.8(b)(2) and (3)	Multiple effluents and multiple monitoring systems	Yes	
§63.8(c)(1)	Compliance with CMS operation and maintenance requirements	Yes	This section applies if you elect to use a CMS to demonstrate continuous compliance with an emission limit.
§63.8(c)(2) and (3)	Monitoring system installation	Yes	This section applies if you elect to use a CMS to demonstrate continuous compliance with an emission limit.
§63.8(c)(4)	CMS requirements	Yes	This section applies if you elect to use a CMS to demonstrate continuous compliance with an emission limit.
§63.8(c)(5)	Continuous Opacity Monitoring System (COMS) minimum procedures	No	Subpart WWWW of Part 63 does not contain opacity standards.
§63.8(c)(6) through (8)	CMS calibration and periods CMS is out of control	Yes	This section applies if you elect to use a CMS to demonstrate continuous compliance with an emission limit.
§63.8(d)	CMS quality control program, including test plan and all previous versions	Yes	This section applies if you elect to use a CMS to demonstrate continuous compliance with an emission limit.
§63.8(e)(1)	Performance evaluation of CMS	Yes	This section applies if you elect to use a CMS to demonstrate continuous compliance with an emission limit.
§63.8(e)(2)	Notification of performance evaluation	Yes	This section applies if you elect to use a CMS to demonstrate continuous compliance with an emission limit.
§63.8(e)(3) and (4)	CMS requirements/alternatives	Yes	This section applies if you elect to use a CMS to demonstrate continuous compliance with an emission limit.
§63.8(e)(5)(i)	Reporting performance evaluation results	Yes	This section applies if you elect to use a CMS to demonstrate continuous compliance with an emission limit.
§63.8(e)(5)(ii)	Results of COMS performance evaluation	No	Subpart WWWW of Part 63 does not

**ATTACHMENT 1 – 40 CFR PART 63, SUBPART v, WWW**

<b>The general provisions reference . . .</b>	<b>That addresses . . .</b>	<b>And applies to subpart WWW of part 63 . . .</b>	<b>Subject to the following additional information . . .</b>
			contain opacity standards.
§63.8(f)(1) through (3)	Use of an alternative monitoring method	Yes	
§63.8(f)(4)	Request to use an alternative monitoring method	Yes	
§63.8(f)(5)	Approval of request to use an alternative monitoring method	Yes	
§63.8(f)(6)	Request for alternative to relative accuracy test and associated records	Yes	This section applies if you elect to use a CMS to demonstrate continuous compliance with an emission limit.
§63.8(g)(1) through (5)	Data reduction	Yes	
§63.9(a)(1) through (4)	Notification requirements and general information	Yes	
§63.9(b)(1)	Initial notification applicability	Yes	
§63.9(b)(2)	Notification for affected source with initial startup before effective date of standard	Yes	
§63.9(b)(3)	Reserved	No	
§63.9(b)(4)(i)	Notification for a new or reconstructed major affected source with initial startup after effective date for which an application for approval of construction or reconstruction is required	Yes	
§63.9(b)(4)(ii) through (iv)	Reserved	No	
§63.9(b)(4)(v)	Notification for a new or reconstructed major affected source with initial startup after effective date for which an application for approval of construction or reconstruction is required	Yes	Existing facilities do not become reconstructed under subpart WWW of Part 63.
§63.9(b)(5)	Notification that you are subject to this subpart for new or reconstructed affected source with initial startup after effective date and for which an application for approval of construction or reconstruction is not required	Yes	Existing facilities do not become reconstructed under subpart WWW of Part 63.
§63.9(c)	Request for compliance extension	Yes	
§63.9(d)	Notification of special compliance requirements for new source	Yes	
§63.9(e)	Notification of performance test	Yes	
§63.9(f)	Notification of opacity and visible emissions observations	No	Subpart WWW of Part 63 does not contain opacity or visible emission standards.
§63.9(g)(1)	Additional notification requirements for sources using CMS	Yes	This section applies if you elect to use a CMS to demonstrate continuous

**ATTACHMENT 1 – 40 CFR PART 63, SUBPART WWWW**

<b>The general provisions reference . . .</b>	<b>That addresses . . .</b>	<b>And applies to subpart WWWW of part 63 . . .</b>	<b>Subject to the following additional information . . .</b>
			compliance with an emission limit.
§63.9(g)(2)	Notification of compliance with opacity emission standard	No	Subpart WWWW of Part 63 does not contain opacity emission standards.
§63.9(g)(3)	Notification that criterion to continue use of alternative to relative accuracy testing has been exceeded	Yes	This section applies if you elect to use a CMS to demonstrate continuous compliance with an emission limit.
§63.9(h)(1) through (3)	Notification of compliance status	Yes	
§63.9(h)(4)	Reserved	No	
§63.9(h)(5) and (6)	Notification of compliance status	Yes	
§63.9(i)	Adjustment of submittal deadlines	Yes	
§63.9(j)	Change in information provided	Yes	
§63.10(a)	Applicability of recordkeeping and reporting	Yes	
§63.10(b)(1)	Records retention	Yes	
§63.10(b)(2)(i) through (v)	Records related to startup, shutdown, and malfunction	Yes	Only applies to facilities that use an add-on control device.
§63.10(b)(2)(vi) through (xi)	CMS records, data on performance tests, CMS performance evaluations, measurements necessary to determine conditions of performance tests, and performance evaluations	Yes	
§63.10(b)(2)(xii)	Record of waiver of recordkeeping and reporting	Yes	
§63.10(b)(2)(xiii)	Record for alternative to the relative accuracy test	Yes	
§63.10(b)(2)(xiv)	Records supporting initial notification and notification of compliance status	Yes	
§63.10(b)(3)	Records for applicability determinations	Yes	
§63.10(c)(1)	CMS records	Yes	This section applies if you elect to use a CMS to demonstrate continuous compliance with an emission limit.
§63.10(c)(2) through (4)	Reserved	No	
§63.10(c)(5) through (8)	CMS records	Yes	This section applies if you elect to use a CMS to demonstrate continuous compliance with an emission limit.
§63.10(c)(9)	Reserved	No	
§63.10(c)(10) through (15)	CMS records	Yes	This section applies if you elect to use a CMS to demonstrate continuous compliance with an emission limit.
§63.10(d)(1)	General reporting requirements	Yes	
§63.10(d)(2)	Report of performance test results	Yes	

**ATTACHMENT 1 – 40 CFR PART 63, SUBPART W WWW**

<b>The general provisions reference . . .</b>	<b>That addresses . . .</b>	<b>And applies to subpart WWW of part 63 . . .</b>	<b>Subject to the following additional information . . .</b>
§63.10(d)(3)	Reporting results of opacity or visible emission observations	No	Subpart WWW of Part 63 does not contain opacity or visible emission standards.
§63.10(d)(4)	Progress reports as part of extension of compliance	Yes	
§63.10(d)(5)	Startup, shutdown, and malfunction reports	Yes	Only applies if you use an add-on control device.
§63.10(e)(1) through (3)	Additional reporting requirements for CMS	Yes	This section applies if you have an add-on control device and elect to use a CEM to demonstrate continuous compliance with an emission limit.
§63.10(e)(4)	Reporting COMS data	No	Subpart WWW of Part 63 does not contain opacity standards.
§63.10(f)	Waiver for recordkeeping or reporting	Yes	
§63.11	Control device requirements	Yes	Only applies if you elect to use a flare as a control device.
§63.12	State authority and delegations	Yes	
§63.13	Addresses of State air pollution control agencies and EPA Regional Offices	Yes	
§63.14	Incorporations by reference	Yes	
§63.15	Availability of information and confidentiality	Yes	



**Appendix A to Subpart WWWW of Part 63—Test Method for Determining Vapor Suppressant Effectiveness**

**1. Scope and Application**

1.1 *Applicability.* If a facility is using vapor suppressants to reduce hazardous air pollutant (HAP) emissions, the organic HAP emission factor equations in Table 1 to this subpart require that the vapor suppressant effectiveness factor be determined. The vapor suppressant effectiveness factor is then used as one of the inputs into the appropriate organic HAP emission factor equation. The vapor suppressant effectiveness factor test is not intended to quantify overall volatile emissions from a resin, nor to be used as a stand-alone test for emissions determination. This test is designed to evaluate the performance of film forming vapor suppressant resin additives. The results of this test are used only in combination with the organic HAP emissions factor equations in Table 1 to this subpart to generate emission factors.

1.1.1 The open molding process consists of application of resin and reinforcements to the mold surface, followed by a manual rollout process to consolidate the laminate, and the curing stage where the laminate surface is not disturbed. Emission studies have shown that approximately 50 percent to 55 percent of the emissions occur while the resin is being applied to the mold. Vapor suppressants have little effect during this portion of the lamination process, but can have a significant effect during the curing stage. Therefore, if a suppressant is 100 percent effective, the overall emissions from the process would be reduced by 45 percent to 50 percent, representing the emissions generated during the curing stage. In actual practice, vapor suppressant effectiveness will be less than 100 percent and the test results determine the specific effectiveness in terms of the vapor suppressant effectiveness factor. This factor represents the effectiveness of a specific combination of suppressant additive and resin formulation.

1.1.2 A resin manufacturer may supply a molder with a vapor-suppressed resin, and employ this test to provide the molder with the vapor suppressant effectiveness factor for that combination of resin and vapor suppressant. The factor qualifies the effectiveness of the vapor suppressant when the resin is tested in the specific formulation supplied to the molder. The addition of fillers or other diluents by the molder may impact the effectiveness of the vapor suppressant. The formulation, including resin/glass ratio and filler content, used in the test should be similar to the formulation to be used in production. The premise of this method is to compare laminate samples made with vapor suppressant additive and made without the additive. The difference in emissions between the two yields the vapor suppressant effectiveness factor.

1.1.3 The method uses a mass balance determination to establish the relative loss of the volatile component from unsaturated polyester or vinyl ester resins, with and without vapor suppressant additives. The effectiveness of a specific vapor suppressant and resin mixture is determined by comparing the relative volatile weight losses from vapor suppressed and non-suppressed resins. The volatile species are not separately analyzed. While the species contained in the volatile component are not determined, an extended listing of potential monomer that may be contained in unsaturated polyester or vinyl ester resins is provided in Table 1.1. However, most polyester and vinyl ester resin formulations presently used by the composites industry only contain styrene monomer.

**Table 1.1—List of Monomers Potentially Present in Unsaturated Polyester/Vinyl Ester Resins**

Monomer	CAS No.
Styrene	100-42-5.
Vinyl toluene	25013-15-4.
Methyl methacrylate	80-62-6.
Alpha methyl styrene	98-83-9.
Para methyl styrene	Vinyl toluene isomer.
Chlorostyrene	1331-28-8.
Diallyl phthalate	131-17-9.
Other volatile monomers	Various.

## 2. Summary of Method

- 2.1 Differences in specific resin and suppressant additive chemistry affect the performance of a vapor suppressant. The purpose of this method is to quantify the effectiveness of a specific combination of vapor suppressant and unsaturated polyester or vinyl ester resin as they are to be used in production. This comparative test quantifies the loss of volatiles from a fiberglass reinforced laminate during the roll-out and curing emission phases, for resins formulated with and without a suppressant additive. A criterion for this method is the testing of a non-vapor suppressed resin system and testing the same resin with a vapor suppressant. The two resins are as identical as possible with the exception of the addition of the suppressant to one. The exact formulation used for the test will be determined by the in-use production requirements. Each formulation of resin, glass, fillers, and additives is developed to meet particular customer and or performance specifications.
- 2.2 The result of this test is used as an input factor in the organic HAP emissions factor equations in Table 1 to this subpart, which allows these equations to predict emissions from a specific combination of resin and suppressant. This test does not provide an emission rate for the entire lamination process.

## 3. Definitions and Acronyms

### 3.1 Definitions

- 3.1.1 *Vapor suppressant*. An additive that inhibits the evaporation of volatile components in unsaturated polyester or vinyl ester resins.
- 3.1.2 *Unsaturated polyester resin*. A thermosetting resin commonly used in composites molding.
- 3.1.3 *Unsaturated vinyl ester resin*. A thermosetting resin used in composites molding for corrosion resistant and high performance applications.
- 3.1.4 *Laminate*. A combination of fiber reinforcement and a thermoset resin.
- 3.1.5 *Chopped strand mat*. Glass fiber reinforcement with random fiber orientation.
- 3.1.6 *Initiator*. A curing agent added to an unsaturated polyester or vinyl ester resin.
- 3.1.7 *Resin application roller*. A tool used to saturate and compact a wet laminate.
- 3.1.8 *Gel time*. The time from the addition of initiator to a resin to the state of resin gelation.
- 3.1.9 *Filled resin system*. A resin, which includes the addition of inert organic or inorganic materials to modify the resin properties, extend the volume and to lower the cost. Fillers include, but are not limited to; mineral particulates; microspheres; or organic particulates. This test is not intended to be used to determine the vapor suppressant effectiveness of a filler.
- 3.1.10 *Material safety data sheet*. Data supplied by the manufacturer of a chemical product, listing hazardous chemical components, safety precautions, and required personal protection equipment for a specific product.
- 3.1.11 *Tare(ed)*. Reset a balance to zero after a container or object is placed on the balance; that is to subtract the weight of a container or object from the balance reading so as to weigh only the material placed in the container or on the object.
- 3.1.12 *Percent glass*. The specified glass fiber weight content in a laminate. It is usually determined by engineering requirements for the laminate.

### 3.2 Acronyms:

- 3.2.1 *VS*—vapor suppressed or vapor suppressant.
- 3.2.2 *NVS*—non-vapor suppressed.
- 3.2.3 *VSE*—vapor suppressant effectiveness.
- 3.2.4 *VSE Factor*—vapor suppressant effectiveness, factor used in the equations in Table 1 to this subpart.
- 3.2.5 *CSM*—chopped strand mat.
- 3.2.6 *MSDS*—material safety data sheet.

## 4. Interferences

There are no identified interferences which affect the results of this test.

## 5. Safety

Standard laboratory safety procedures should be used when conducting this test. Refer to specific MSDS for handling precautions.

## 6. Equipment and Supplies

Note: Mention of trade names or specific products or suppliers does not constitute an endorsement by the Environmental Protection Agency.

### 6.1 Required Equipment.

- 6.1.1 Balance enclosure.<sup>1</sup>
- 6.1.2 Two (2) laboratory balances—accurate to  $\pm 0.01\text{g}$ .<sup>2</sup>
- 6.1.3 Stop watch or balance data recording output to data logger with accuracy  $\pm 1$  second.<sup>3</sup>
- 6.1.4 Thermometer—accurate to  $\pm 2.0$  °F ( $\pm 1.0$  °C).<sup>4</sup>
- 6.1.5 A lipped pan large enough to hold the cut glass without coming into contact with the vertical sides, e.g. a pizza pan.<sup>5</sup>
- 6.1.6 Mylar film sufficient to cover the bottom of the pan.<sup>6</sup>
- 6.1.7 Tape to keep the Mylar from shifting in the bottom of the pan.<sup>7</sup>
- 6.1.8 Plastic tri-corner beakers of equivalent—250 ml to 400 ml capacity.<sup>8</sup>
- 6.1.9 Eye dropper or pipette.<sup>9</sup>
- 6.1.10 Disposable resin application roller,  $3/16$  inch;  $3/4$  inch; diameter  $\times$  3 inch;  $6$  inch; roller length.<sup>10</sup>
- 6.1.11 Hygrometer or psychrometer<sup>11</sup> accurate to  $\pm 5$  percent
- 6.1.12 Insulating board, (Teflon, cardboard, foam board etc.) to prevent the balance from becoming a heat sink.<sup>12</sup>

### 6.2 Optional Equipment.

- 6.2.1 Laboratory balance—accurate to  $\pm .01\text{g}$  with digital output, such as an RS-232 bi-directional interface<sup>13</sup> for use with automatic data recording devices.
- 6.2.2 Computer with recording software configured to link to balance digital output. Must be programmed to record data at the minimum intervals required for manual data acquisition.

### 6.3 Supplies.

- 6.3.1 Chopped strand mat— $1.5$  oz/ft.<sup>2</sup> <sup>14</sup>

## 7. Reagents and Standards

- 7.1 *Initiator*. The initiator type, brand, and concentration will be specified by resin manufacturer, or as required by production operation.
- 7.2 Polyester or vinyl ester resin.
- 7.3 Vapor suppressant additive.

## 8. Sample Collection, Preservation, and Storage

This test method involves the immediate recording of data during the roll out and curing phases of the lamination process during each test run. Samples are neither collected, preserved, nor stored.

## 9. Quality Control

Careful attention to the prescribed test procedure, routine equipment calibration, and replicate testing are the quality control activities for this test method. Refer to the procedures in section 11. A minimum of six test runs of a resin system without a suppressant and six test runs of the same resin with a suppressant shall be performed for each resin and suppressant test combination.

## 10. Calibration and Standardization

10.1 The laboratory balances, stopwatch, hygrometer and thermometer shall be maintained in a state of calibration prior to testing and thereafter on a scheduled basis as determined by the testing laboratory. This shall be accomplished by using certified calibration standards.

10.2 Calibration records shall be maintained for a period of 3 years.

## **11. Test Procedure**

### **11.1 Test Set-up.**

- 11.1.1 The laboratory balance is located in an enclosure to prevent fluctuations in balance readings due to localized air movement. The front of enclosure is open to permit work activity, but positioned so that local airflow will not effect balance readings. The ambient temperature is determined by suspending the thermometer at a point inside the enclosure.
- 11.1.2 The bottom of the aluminum pan is covered with the Mylar film. The film is held in position with tape or by friction between the pan and the film.
- 11.1.3 The resin and pan are brought to room temperature. This test temperature must be between 70 °F and 80 °F. The testing temperature cannot vary more than  $\pm 2$  °F during the measurement of test runs. Temperature shall be recorded at the same time weight is recorded on suppressed and non-suppressed test data sheets, shown in Table 17.1.
- 11.1.4 The relative humidity may not change more than  $\pm 15$  percent during the test runs. This is determined by recording the relative humidity in the vicinity of the test chamber at the beginning and end of an individual test run. This data is recorded on the test data sheets shown in Table 17.1.
- 11.1.5 Two plies of nominal 1.5 oz/ft<sup>2</sup> chopped strand mat (CSM) are cut into a square or rectangle with the minimum surface area of 60 square inches (*i.e.* a square with a side dimension of 7.75 inches).
- 11.1.6 The appropriate resin application roller is readily available.

### **11.2 Resin Gel Time/Initiator Percentage**

- 11.2.1 Previous testing has indicated that resin gel time influences the emissions from composite production. The testing indicated that longer the gel times led to higher emissions. There are a number of factors that influence gel time including initiator type, initiator brand, initiator level, temperature and resin additives. Under actual usage conditions a molder will adjust the initiator to meet a gel time requirement. In this test procedure, the vapor suppressed and non-vapor suppressed resin systems will be adjusted to the same gel time by selecting the appropriate initiator level for each.
- 11.2.2 All test runs within a test will be processed in a manner that produces the same resin gel time  $\pm 2$  minutes. To facilitate the resin mixing procedure, master batches of resin and resin plus vapor suppressant of resin are prepared. These resin master batches will have all of the required ingredients except initiator; this includes filler for filled systems. The gel times for the tests are conducted using the master batch and adjustments to meet gel time requirements shall be made to the master batch before emission testing is conducted. Test temperatures must be maintained within the required range, during gel time testing. Further gel time testing is not required after the non-vapor suppressed and vapor suppressed master batches are established with gel times within  $\pm 2$  minutes. A sufficient quantity of each resin should be prepared to allow for additional test specimens in the event one or more test fails to meet the data acceptance criteria discussed in Section 11.5 and shown in Table 17.2.
- 11.2.3 The specific brand of initiator and the nominal percentage level recommended by the resin manufacturer will be indicated on the resin certificate of analysis<sup>15</sup>; or, if a unique gel time is required in a production laminate, initiator brand and percentage will be determined by that specific requirement.

#### **11.2.4 Examples:**

- 11.2.4.1 The resin for a test run is specified as having a 15-minute cup gel time at 77 °F using Brand X initiator at 1.5 percent by weight. The non-suppressed control resin has a 15-minute gel time. The suppressed resin has a gel time of 17-minutes. An initiator level of 1.5 percent would be selected for the both the non-suppressed and the suppressed test samples.
- 11.2.4.2 Based on a specific production requirement, a resin is processed in production using 2.25 percent of Brand Y initiator, which produces a 20-minute gel time. This initiator at level of 2.25 percent produces a 20 minute gel time for the non-suppressed control resin, but yields a 25-minute gel time for the suppressed resin sample. The

suppressed resin is retested at 2.50 percent initiator and produces a 21-minute gel time. The initiator levels of 2.25 percent and 2.50 percent respectively would yield gel times within  $\pm 2$  minutes.

11.3 Test Run Procedure for Unfilled Resin (see the data sheet shown in Table 17.1).

- 11.3.1 The insulating board is placed on the balance.
- 11.3.2 The aluminum pan with attached Mylar film is placed on the balance, and the balance is tared (weight reading set to zero with the plate on the balance.)
- 11.3.3 Place two plies of 1.5 oz. CSM on the balance and record the weight (glass weight).
- 11.3.4 The resin beaker and stirring rod are put on the second balance and tared.
- 11.3.5 The required resin weight and initiator weight are calculated (refer to calculation formulas in 12.2).
- 11.3.6 The disposable resin application roller is placed on the edge of the plate.
- 11.3.7 The balance is tared, with the aluminum pan, Mylar film, glass mat, and resin application roller on the balance pan.
- 11.3.8 Resin is weighed into a beaker, as calculated, using the second balance. The mixing stick should be tared with the beaker weight.
- 11.3.9 Initiator is weighed into the resin, as calculated, using an eyedropper or a pipette, and the combination is mixed.
- 11.3.10 Initiated resin is poured on chopped strand mat in a pre-determined pattern (see Figure 11.6).
- 11.3.11 A stopwatch is started from zero.
- 11.3.12 The initial laminate weight is recorded.
- 11.3.13 The plate is removed from balance to enable roll-out of the laminate.
- 11.3.14 The wet laminate is rolled with the resin application roller to completely distribute the resin, saturate the chopped strand mat, and eliminate air voids. Roll-out time should be in the range of 2 to 3<sup>16</sup> minutes and vary less than  $\pm 10$  percent of the average time required for the complete set of six suppressed and six non-suppressed runs.
- 11.3.15 Record the rollout end time (time from start to completion of rollout).
- 11.3.16 Place the resin application roller on the edge of the plate when rollout is completed.
- 11.3.17 Place the plate back on the balance pan. Immediately record the weight.
- 11.3.18 For the first test in a series of six tests, weight is recorded every 5-minute interval (suppressed and non-suppressed). The end of the test occurs when three consecutive equal weights are recorded or a weight gain is observed (the last weight before the increased weight is the end of test weight). For the remaining five tests in the series, after the initial weights are taken, the next weight is recorded 30 minutes before the end of the test, as suggested by the results from the first test. It is likely that the time to reach the end point of a suppressed resin test will be shorter than the time required to complete a non-suppressed test. Therefore, the time to start taking data manually may be different for suppressed and non-suppressed resins.

11.4 Test Run Procedures for Filled Resin Systems<sup>17</sup> Note that the procedure for filled systems differs from the procedure for unfilled systems. With filled systems, resin is applied to one ply of the CSM and the second ply is placed on top of the resin.

- 11.4.1 The insulating board is placed on the balance.
- 11.4.2 The aluminum pan with attached Mylar film is placed on the balance, and the balance is tared (weight reading set to zero with the plate on the balance.)
- 11.4.3 Place two plies of 1.5 oz. CSM on the balance and record the weight (glass weight).
- 11.4.4 Remove the top ply of fiberglass and record its weight (weight of 1st layer of glass).
- 11.4.5 The required resin weight and initiator weight are calculated (refer to calculation formulas in 12.2). Calculate the weight of filled resin and initiator based on the 2 layers of fiberglass.
- 11.4.6 The resin beaker and stirring rod are put on the second balance and tared.
- 11.4.7 A disposable resin application roller is placed on the edge of the plate.

- 11.4.8 The balance is tared, with the aluminum pan, Mylar film, glass mat, and resin application roller on the balance pan.
- 11.4.9 Resin is weighed into the beaker, as calculated, using the second balance. The mixing stick should be tared with the beaker weight.
- 11.4.10 Initiator is weighed into the resin, as calculated, using an eyedropper or a pipette, and the combination is mixed.
- 11.4.11 Initiated resin is poured on the single ply of CSM in a pre-determined pattern. Refer to Figure 11.6.
- 11.4.12 A stopwatch is started from zero.
- 11.4.13 Record the weight of the resin and single ply of CSM ( $L_1$ ). The initial laminate weight equals  $L_1$  plus the weight of second glass layer.
- 11.4.14 Replace the second layer of fiberglass.
- 11.4.15 Remove the plate from the balance to allow roll-out of the laminate.
- 11.4.16 Roll the wet laminate with the resin application roller to completely distribute the resin, saturate the chopped strand mat, and eliminate air voids. Roll-out time should be in the range of 2 to 3<sup>16</sup> minutes and vary less than  $\pm 10$  percent of the average time required for the complete set of six suppressed and six non-suppressed runs.
- 11.4.17 Record the roll-out end time (time from start to completion of rollout).
- 11.4.18 Place the resin application roller on the edge of the plate when rollout is completed.
- 11.4.19 Place the plate back on the balance pan. The initial weight is recorded immediately.
- 11.4.20 For the first test run in a series of six, weight is recorded at every 5-minute interval (suppressed and non-suppressed). The end of the test occurs when three consecutive equal weights are recorded or a weight gain is observed (the last weight before the increased weight is the end of test weight). For the remaining five tests in the series, after the initial weights are taken, the next weight is recorded 30 minutes before the end of the test, as suggested by the results from the first test. It is likely that the time to reach the end point of a suppressed resin test will be shorter than the time required to complete a non-suppressed test. Therefore, the time to start taking data manually may be different for suppressed and non-suppressed resins.

#### 11.5 Data Acceptance Criteria:

- 11.5.1 A test set is designed as twelve individual test runs using the same resin, initiator, and gel time, six of the test runs use the resin non-vapor suppressed and the other six use it vapor suppressed.
- 11.5.2 If a test run falls outside any of the time, temperature, weight or humidity variation requirements, it must be discarded and run again.
- 11.5.3 The laminate roll out time for each individual test run must vary less than  $\pm 10$  percent of the average time required for the complete set of six suppressed and six non-suppressed runs.
- 11.5.4 Test temperature for each test run must be maintained within  $\pm 2$  °F and the average must be between 70° and 80 °F. Refer to 11.1.3.
- 11.5.5 The difference in the amount of resin for each run must be within  $\pm 10$  percent of the average weight for the complete set of six suppressed and six non-suppressed runs.
- 11.5.6 The relative humidity from each test run must be within  $\pm 15$  percent of the average humidity for the complete set of six suppressed and six non-suppressed tests. Refer to 11.1.4
- 11.5.7 The glass content for each test set must be within  $\pm 10$  percent of the average resin-to-/glass ratio for the complete set of six suppressed and six non-suppressed runs. Refer to 12.2).
- 11.5.8 The filler content for each test of a test set must be within  $\pm 5$  percent of the average filler content for the complete set of six suppressed and six non-suppressed runs. Refer to 12.2.

#### 11.6 Resin Application Pour Pattern:

- 11.6.1 To facilitate the distribution of resin across the chopped strand mat, and to provide consistency from test to test, a uniform pour pattern should be used. A typical pour pattern is shown below:

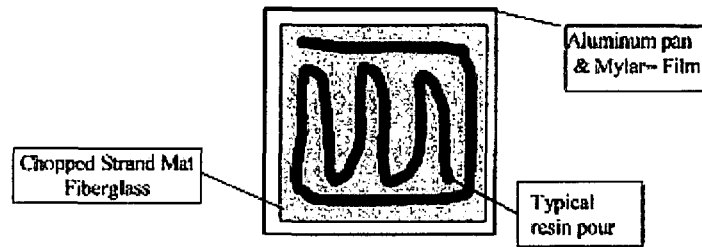


Figure 11.6 Resin Distribution Diagram

[View or download PDF](#)

11.6.2 The resin is to be evenly distributed across the entire surface of the chopped strand mat using the resin application roller to achieve a wet look across the surface of the laminate. Pushing excess resin off the reinforcement and onto the Mylar sheet should be avoided. No resin is to be pushed more than 1/2 inch beyond the edge of the glass mat. If excess resin is pushed further from the glass mat, it will void the test run. As part of this process, typical visible air voids are to be eliminated by the rollout process. If the pour pattern is different from the above, it must be recorded and attached to test data sheet 17.1.

**12. Data Analysis and Calculations**

12.1 Data Analysis:

This test method requires a simple mass balance calculation, no special data analysis is necessary.

12.2 Calculations:

12.2.1 The target glass content (percent) for unfilled resin systems is determined from the specific production parameters being evaluated. In absence of any specific production requirements the target may be set at the tester's discretion.

12.2.2 Glass content determination (expressed as a per cent):

$$\% \text{ Glass} = \frac{\text{Glass wt(g)}}{\text{Glass wt(g)} + \text{Resin weight (g)}}$$

12.2.3 Weight of resin required:

$$\text{Resin weight required} = (\text{Glass wt (g)} / \% \text{ glass}) - \text{Glass wt (g)}$$

12.2.4 Filled resin formulation determination for filled resin systems ( e.g. >30 percent filler by weight for a particulate filler, or >1 percent by weight for a lightweight filler, such as hollow microspheres):

$$\% \text{ Resin content} = \frac{\text{resin weight(g)}}{\text{resin weight(g)} + \text{glass weight(g)} + \text{filler weight(g)}}$$

$$\% \text{ Glass content} = \frac{\text{glass weight(g)}}{\text{resin weight(g)} + \text{glass weight(g)} + \text{filler weight(g)}}$$

$$\text{Filler content} = \frac{\text{filler weight(g)}}{\text{resin weight(g)} + \text{glass weight(g)} + \text{filler weight(g)}}$$

12.2.5 Initiator weight determination:

$$\text{Initiator weight (g)} = \text{Resin weight(g)} \times \text{Initiator \%}$$

12.2.6 Emission weight loss determination:

$$\text{Emissions weight loss (g)} = \text{Initial resin weight (g)} - \text{Final resin weight (g)}$$

12.2.7 % Emission weight loss:

$$\% \text{ Emission Weight Loss} = (\text{Emission weight loss (g)} / \text{Initial resin weight (g)}) \times 100$$

12.2.8 Average % Emission Weight Loss (assuming six test runs):

$$\text{Average \% Emission Weight Loss} = \sum_{i=1}^{N=6} (\% \text{ Emission Weight Loss}_i) / 6$$

12.2.9 VSE Factor calculation:

$$\text{VSE Factor} = 1 - (\text{Average \% VS Emission Weight Loss} / \text{Average NVS Emission Weight Loss})$$

**Table 12.1—Example Calculation**

Test #	% VS weight loss	% NVS weight loss
1	6.87	10.86
2	6.76	11.23
3	5.80	12.02
4	5.34	11.70
5	6.11	11.91
6	6.61	10.63
Average Weight Loss	6.25	11.39
VSE Factor		0.4

VSE Factor = 0.45

VSE Factor is used as input into the appropriate equation in Table 1 to this subpart.

Example from Table 1 to this subpart:

Manual Resin Application, 35 percent HAP resin, VSE Factor of 0.45

$$\text{HAP Emissions with vapor suppressants} = ((0.286 \times \% \text{HAP}) - 0.0529) \times 2000 \times (1 - (0.5 \times \text{VSE factor}))$$

$$\text{HAP Emissions with vapor suppressants} = ((0.286 \times .35) - 0.0529) \times 2000 \times (1 - (0.5 \times .45))$$

HAP Emissions with vapor suppressants = 73 pounds of HAP emissions per ton of resin.

### 13. Method Performance

13.1 Bias:

The bias of this test method has not been determined.

13.2 Precision Testing

13.2.1 Subsequent to the initial development of this test protocol by the Composites Fabricators Association, a series of tests were conducted in three different laboratory facilities. The purpose of this round robin testing was to verify the precision of the test method in various laboratories. Each laboratory received a sample of an orthophthalic polyester resin from the same production batch, containing 48 per cent styrene by weight. Each testing site was also provided with the same vapor suppressant additive. The suppressant manufacturer specified the percentage level of suppressant additive. The resin manufacturer specified the type and level of initiator required to produce a 20 minute gel time. The target glass content was 30 percent by weight.

13.2.2 Each laboratory independently conducted the VSE test according to this method. A summary of the results is included in Table 13.1.



**Table 13.1—Round Robin Testing Results**

	Test Lab 1		Test Lab 2		Test Lab 3	
	NVS	VS	NVS	S	NVS	VS
Average percent WT Loss	4.24	1.15	4.69	1.84	5.73	1.61
Standard Deviation	0.095	0.060	0.002	0.002	0.020	0.003
VSE Factor		0.730		0.607		0.720

13.3 Comparison to EPA Reference Methods This test has no corresponding EPA reference method.

**14. Pollution Prevention**

The sample size used in this method produces a negligible emission of HAP, and has an insignificant impact upon the atmosphere.

**15. Waste Management**

The spent and waste materials generated during this test are disposed according to required facility procedures, and waste management recommendations on the corresponding material safety data sheets.

**16. References and footnotes**

16.1 Footnotes:

<sup>1</sup> Balance Enclosure—The purpose of the balance enclosure is to prevent localized airflow from adversely affecting the laboratory balance. The enclosure may be a simple three-sided box with a top and an open face. The configuration of the enclosure is secondary to the purpose of providing a stable and steady balance reading, free from the effects of airflow, for accurate measurements. The enclosure can be fabricated locally. A typical enclosure is shown in Figure 17.1.

<sup>2</sup> Laboratory Balance—Ohaus Precision Standard Series P/N TS400D or equivalent—Paul N. Gardner Co. 316 NE 1st St. Pompano Beach, FL 33060 or other suppliers.

<sup>3</sup> Stop Watch—Local supply.

<sup>4</sup> Thermometer—Mercury thermometer—ASTM No. 21C or equivalent; Digital thermometer—P/N TH-33033 or equivalent—Paul N. Gardner Co. 316 NE 1st St. Pompano Beach, FL 33060 or other suppliers.

<sup>5</sup> Aluminum Pan—Local supply.

<sup>6</sup> Mylar—Local supply.

<sup>7</sup> Double Sided Tape—3M Double Stick Tape or equivalent, local supply.

<sup>8</sup> Laboratory Beakers—250 to 400ml capacity—Local laboratory supply.

<sup>9</sup> Eye Dropper or Pipette—Local laboratory supply.

<sup>10</sup> Disposable Resin Application Roller Source—Wire Handle Roller P/N 205-050-300 or Plastic Handle Roller P/N 215-050-300 or equivalent; ES Manufacturing Inc., 2500 26st Ave. North, St. Petersburg, FL 33713, [www.esmfg.com](http://www.esmfg.com), or other source. Refer to Figure 17.3.

<sup>11</sup> Hygrometer or Psychrometer—Model# THWD-1, or equivalent—Part # 975765 by Amprobe Instrument, 630 Merrick Road, P.O. Box 329, Lynbrook, NY 11563, 516-593-5600

<sup>12</sup> Insulating Board (Teflon, cardboard, foam board etc.)—Local supply.

<sup>13</sup> Laboratory Balance With Digital Output—Ohaus Precision Standard Series P/N TS120S or equivalent—Paul N. Gardner Co. 316 NE 1st St. Pompano Beach, FL 33060 or other suppliers.

<sup>14</sup> Chopped Strand Mat—1.5 oz/ft<sup>2</sup> Sources: Owens Corning Fiberglas—Fiberglas M-723; PPG Industries—ABM HTX; Vetrotex America—M-127 or equivalent.

<sup>15</sup> Certificate of Analysis: Resin gel time, as recorded on the resin certificate of analysis, is measured using a laboratory standard gel time procedure. This procedure typically uses a 100 gram cup sample at 77 °F (25 °C), a specific type of initiator and a specified percentage.

<sup>16</sup> Roll-out times may vary with resin viscosity or resin additive. The important aspect of this step is to produce the same roll-out time for both the suppressed and non-suppressed samples.

<sup>17</sup> While this test can be used with filled resin systems, the test is not designed to determine the effect of the filler on emissions, but rather to measure the effect of the suppressant additive in the resin system. When evaluating a filled system both the non-vapor suppressed and vapor suppressed samples should be formulated with the same type and level of filler.

#### 16.2 References

1. Phase 1—Baseline Study Hand Lay-up, CFA, 1996
2. CFA Vapor Suppressant Effectiveness Test Development, 4/3/98, correspondence with Dr. Madeleine Strum, EPA, OAQPS
3. CFA Vapor Suppressant Effectiveness Screening Tests, 4/4/98
4. Styrene Suppressant Systems Study, Reichhold Chemical, 11/30/98
5. Evaluation of the CFA's New Proposed Vapor Suppressant Effectiveness Test, Technical Service Request #: ED-01-98, BYK Chemie, 6/3/98
6. Second Evaluation of the CFA's New Proposed Vapor Suppressant Effectiveness Test, Technical Service Request #: ED-02-98, BYK Chemie, 1/26/99

#### **17. Data Sheets and Figures**

17.1 This data sheet, or a similar data sheet, is used to record the test data for filled, unfilled, suppressed and non-suppressed tests. If additional time is required, the data sheet may be extended.

Table 17.1 Test Data Sheet

Test Number			Test Type		
			VS (____)	NVS (____)	
Resin			Filled (____)	Unfilled (____)	
Initiator			Initiator, %	_____	
Vapor Suppressant			VS, %	_____	
Weight of 2 layers of glass, g	_____	Weight of 1 <sup>st</sup> glass layer, g	_____	Weight of 2 <sup>nd</sup> glass layer, g	_____
Initial Resin Weight, (g)		Time (Min.)	Weight g	Temp °F	
Glass content, (%)		55			
Initial Temperature °F:		60			
Initial Humidity %		65			
Resin Initiator Level, %		70			
Resin gel time, (min.:		75			
Resin filler content, %		80			
Roll out time, (min.:		85			
Time, (min.:	Weight, g	Temp, °F	90		

[View or download PDF](#)

Initial			95		
			100		
0			105		
5			110		
10			115		
15			120		
20			125		
25			130		
30			135		
35			140		
40			145		
45			150		
50			155		
Final Time, min.	Final Weight, g.	Final Temp, °F	Final Humidity, %		

[View or download PDF](#)

17.2 Data Acceptance Criteria Worksheet:

The following worksheet is used to determine the quality of collected data ( *i.e.* insure the data collected all meets acceptance criteria)

**Table 17.2—Data Acceptance Criteria Worksheet**

Test No.	Temperature			Laminate roll out time, min	Relative humidity, %		Resin weight, (g)	Glass content, %	Resin distribution	Meets criteria Y/N
	Min	Max	Delta		Initial	Final				
1										
2										
3										
4										
5										
6										
7										
8										
9										
10										
11										
12										
Average										
Criteria	±2 °F	±10% of Average	±15 of Average	±15 of Average	±10% of Avg.	±10% of Avg.	< 1/2 inch off mat	All Y		



17.4 Figures

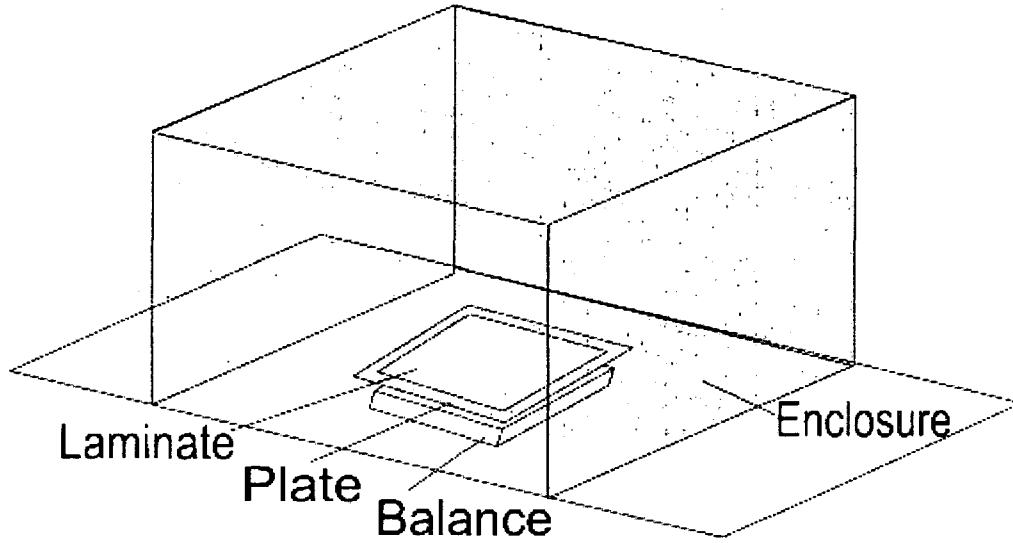


Figure 17.1. Typical Balance Enclosure

[View or download PDF](#)

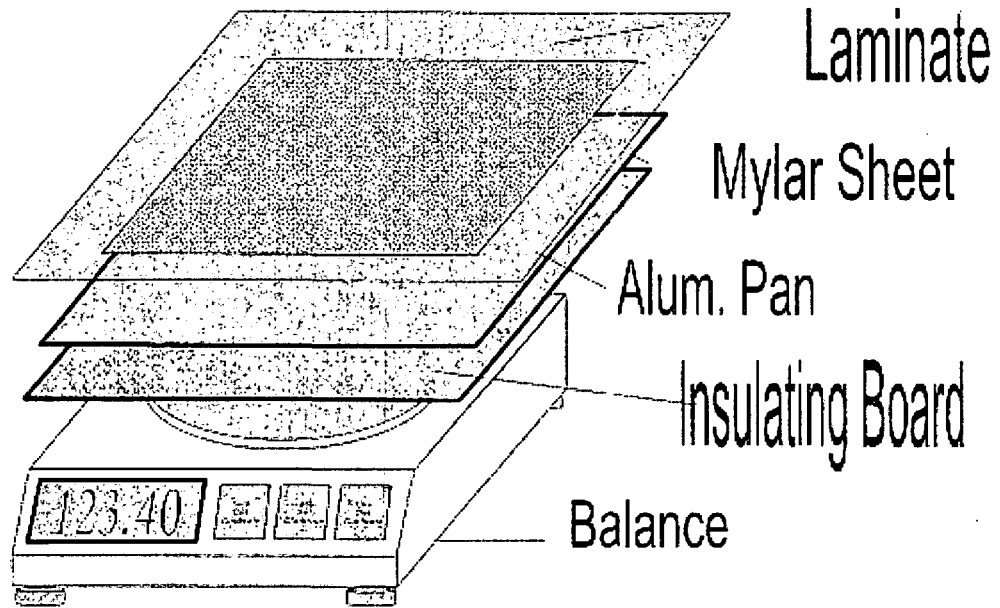
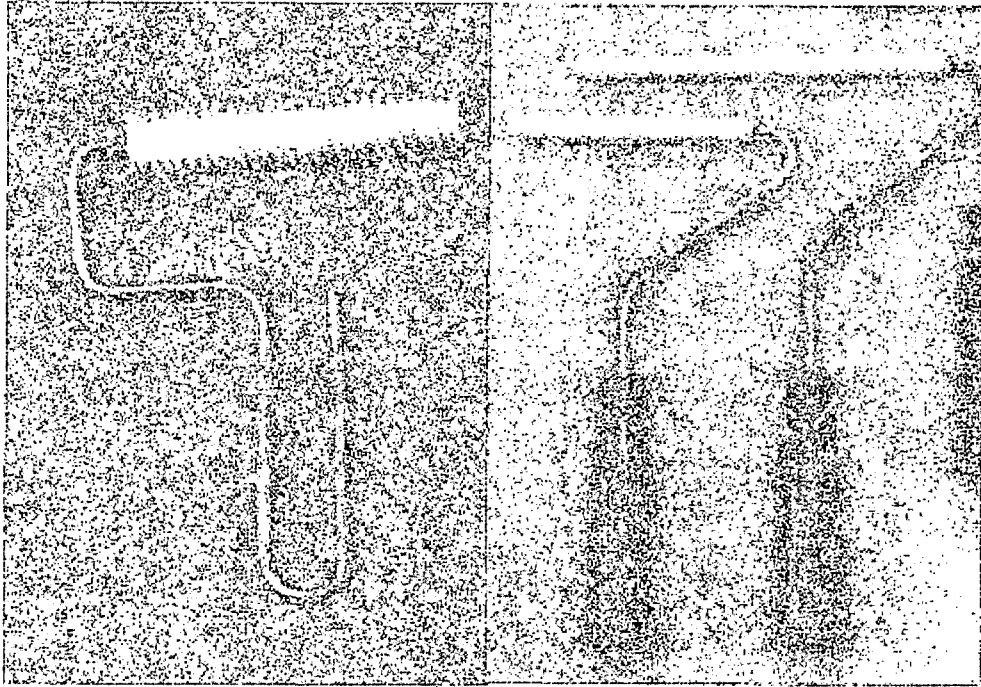


Figure 17.2. Scale, Plate, Insulating Board, Mylar, Laminate Order

[View or download PDF](#)





## FRP Rollers

Figure 17.2. Typical FRP Rollers

[View or download PDF](#)

## Unified Emission Factors for Open Molding of Composites

July 23, 2001

Emission Rate in Pounds of Styrene Emitted per Ton of Resin or Gelcoat Processed

Styrene content in resin/gelcoat, % <sup>(1)</sup>	<33 <sup>(2)</sup>	33	34	35	36	37	38	39	40	41	42	43	44	45	46	47	48	49	50	>50 <sup>(2)</sup>
<b>Manual</b>	0.126 x %styrene x 2000	83	89	94	100	106	112	117	123	129	134	140	146	152	157	163	169	174	180	((0.286 x %styrene) - 0.0529) x 2000
<b>Manual w/ Vapor Suppressed Resin VSR <sup>(3)</sup></b>	Manual emission factor [listed above] x (1 - (0.50 x specific VSR reduction factor for each resin/suppressant formulation))																			
<b>Mechanical Atomized</b>	0.169 x %styrene x 2000	111	126	140	154	168	183	197	211	225	240	254	268	283	297	311	325	340	354	((0.714 x %styrene) - 0.18) x 2000
<b>Mechanical Atomized with VSR <sup>(3)</sup></b>	Mechanical Atomized emission factor [listed above] x (1 - (0.45 x specific VSR reduction factor for each resin/suppressant formulation))																			
<b>Mechanical Atomized Controlled Spray <sup>(4)</sup></b>	0.130 x %styrene x 2000	86	97	108	119	130	141	152	163	174	185	196	207	218	229	240	251	262	273	0.77 x ((0.714 x %styrene) - 0.18) x 2000
<b>Mechanical Controlled Spray with VSR</b>	Mechanical Atomized Controlled Spray emission factor [listed above] x (1 - (0.45 x specific VSR reduction factor for each resin/suppressant formulation))																			
<b>Mechanical Non-Atomized</b>	0.107 x %styrene x 2000	71	74	77	80	83	86	89	93	96	99	102	105	108	111	115	118	121	124	((0.157 x %styrene) - 0.0165) x 2000
<b>Mechanical Non-Atomized with VSR <sup>(3)</sup></b>	Mechanical Non-Atomized emission factor [listed above] x (1 - (0.45 x specific VSR reduction factor for each resin/suppressant formulation))																			
<b>Filament application</b>	0.184 x %styrene x 2000	122	127	133	138	144	149	155	160	166	171	177	182	188	193	199	204	210	215	((0.2746 x %styrene) - 0.0298) x 2000
<b>Filament application with VSR <sup>(3)</sup></b>	0.120 x %styrene x 2000	79	83	86	90	93	97	100	104	108	111	115	118	122	125	129	133	136	140	0.65 x ((0.2746 x %styrene) - 0.0298) x 2000
<b>Gelcoat Application</b>	0.445 x %styrene x 2000	294	315	336	356	377	398	418	439	460	481	501	522	543	564	584	605	626	646	((1.03646 x %styrene) - 0.195) x 2000
<b>Gelcoat Controlled Spray Application <sup>(4)</sup></b>	0.325 x %styrene x 2000	215	230	245	260	275	290	305	321	336	351	366	381	396	411	427	442	457	472	0.73 x ((1.03646 x %styrene) - 0.195) x 2000
<b>Gelcoat Non-Atomized Application <sup>(8)</sup></b>	SEE Note 9 below	196	205	214	223	232	241	250	259	268	278	287	296	305	314	323	332	341	350	((0.4506 x %styrene) - 0.0505) x 2000
<b>Covered-Cure after Roll-Out</b>	Non-VSR process emission factor [listed above] x (0.80 for Manual <or> 0.85 for Mechanical)																			
<b>Covered-Cure without Roll-Out</b>	Non-VSR process emission factor [listed above] x (0.50 for Manual <or> 0.55 for Mechanical)																			

Emission Rate in Pounds of Methyl Methacrylate Emitted per Ton of Gelcoat Processed

MMA content in gelcoat, % <sup>(6)</sup>	1	2	3	4	5	6	7	8	9	10	11	12	13	14	15	16	17	18	19	≥20
<b>Gel coat application <sup>(7)</sup></b>	15	30	45	60	75	90	105	120	135	150	165	180	195	210	225	240	255	270	285	0.75 x %MMA x 2000

**Notes**

- 1 Including styrene monomer content as supplied, plus any extra styrene monomer added by the molder, but before addition of other additives such as powders, fillers, glass,...etc.
- 2 Formulas for materials with styrene content < 33% are based on the emission rate at 33% (constant emission factor expressed as percent of available styrene), and for styrene content > 50% on the emission rate based on the extrapolated factor equations; these are not based on test data but are believed to be conservative estimates. The value for "% styrene" in the formulas should be input as a fraction. For example, use the input value 0.30 for a resin with 30% styrene content by wt.
- 3 The VSR reduction factor is determined by testing each resin/suppressant formulation according to the procedures detailed in the *CFA Vapor Suppressant Effectiveness Test*.
- 4 SEE the *CFA Controlled Spray Handbook* for a detailed description of the controlled spray procedures.
- 5 The effect of vapor suppressants on emissions from filament winding operations is based on the *Dow Filament Winding Emissions Study*.
- 6 Including MMA monomer content as supplied, plus any extra MMA monomer added by the molder, but before addition of other additives such as powders, fillers, glass,...etc.
- 7 Based on gelcoat data from *NMMA Emission Study*.
- 8 SEE the July 17, 2001 EECS report *Emission Factors for Non-Atomized Application of Gel Coats used in the Open Molding of Composites* for a detailed description of the non-atomized gelcoat testing.
- 9 Use the equation ((0.4506 x %styrene) - 0.0505) x 2000 for gelcoats with styrene contents between 19% and 32% by wt.; use the equation 0.185 x %styrene x 2000 for gelcoats with less than 19% styrene content by wt.

# Appendix A-1, Abbreviations, Acronyms, Citations, and Identification Numbers (version dated 02/05/97)

---

## Abbreviations and Acronyms:

°F: Degrees Fahrenheit  
BACT: Best Available Control Technology  
CFR: Code of Federal Regulations  
DEP: State of Florida, Department of Environmental Protection  
DARM: Division of Air Resource Management  
EPA: United States Environmental Protection Agency  
F.A.C.: Florida Administrative Code  
F.S.: Florida Statute  
ISO: International Standards Organization  
LAT: Latitude  
LONG: Longitude  
MMBtu: million British thermal units  
MW: Megawatt  
ORIS: Office of Regulatory Information Systems  
SOA: Specific Operating Agreement  
UTM: Universal Transverse Mercator

---

## Citations:

*The following examples illustrate the methods used in this permit to abbreviate and cite the references of rules, regulations, guidance memorandums, permit numbers, and ID numbers.*

### Code of Federal Regulations:

*Example:* [40 CFR 60.334]

Where:	40	reference to	Title 40
	CFR	reference to	Code of Federal Regulations
	60	reference to	Part 60
	60.334	reference to	Regulation 60.334

### Florida Administrative Code (F.A.C.) Rules:

*Example:* [Rule 62-213, F.A.C.]

Where:	62	reference to	Title 62
	62-213	reference to	Chapter 62-213
	62-213.205	reference to	Rule 62-213.205, F.A.C.

**ISO:** International Standards Organization refers to those conditions at 288 degrees K, 60 percent relative humidity, and 101.3 kilopascals pressure.

**Appendix A-1, Abbreviations, Acronyms, Citations, and Identification Numbers**  
**(version dated 02/05/97) (continued)**

---

**Identification Numbers:**

Facility Identification (ID) Number:

*Example:* Facility ID No.: 1050221

*Where:*

105 = 3-digit number code identifying the facility is located in Polk County  
0221 = 4-digit number assigned by state database.

Permit Numbers:

*Example:* 1050221-002-AV, or  
1050221-001-AC

*Where:*

AC = Air Construction Permit  
AV = Air Operation Permit (Title V Source)  
105 = 3-digit number code identifying the facility is located in Polk County  
0221 = 4-digit number assigned by permit tracking database  
001 or 002 = 3-digit sequential project number assigned by permit tracking database

*Example:* PSD-FL-185  
PA95-01  
AC53-208321

*Where:*

PSD = Prevention of Significant Deterioration Permit  
PA = Power Plant Siting Act Permit  
AC = old Air Construction Permit numbering

## Appendix H-1: Permit History

A.S.A. MFG, Inc.

FINAL Permit No.: 0830104-007-AV  
Facility ID No.: 0830104

---

E.U. ID No.	Description	Permit No.	Effective Date	Expiration Date	Project Type
All	Facility	0830104-001-AG	07/06/96	05/13/01	General Permit
All	Facility	0830104-002-AG	05/13/01	05/13/06	General Permit
All	Facility	0830104-003-AC	06/01/05	03/10/2006	Construction (mod.)
All	Facility	0830104-004-AV	07/31/05	07/31/10	Initial Title V Permit
All	Facility	0830104-005-AV	09/30/05	07/31/10	Administration Correction
All	Facility	0830104-006-AV	08/18/07	07/31/10	Revision
All	Facility	0830104-007-AV	04/30/10	04/30/15	Renewal

## **STATEMENT OF BASIS**

A.S.A. MFG, Inc.  
Facility ID No.: 0830104  
Marion County

### **Title V Air Operation Permit Renewal FINAL Permit Project No.: 0830104-007-AV**

*This Title V Air Operation Permit Renewal is issued under the provisions of Chapter 403, Florida Statutes (F.S.), and Florida Administrative Code (F.A.C.) Chapters 62-4, 62-210 and 62-213. The above named permittee is hereby authorized to operate the facility shown on the application and approved drawing(s), plans, and other documents, attached hereto or on file with the permitting authority, in accordance with the terms and conditions of this permit.*

The subject of this permit is for the renewal of Title V Air Operation Permit.

This facility consists of one emissions unit (Emissions Unit ID No. 001) which regulates the fiberglass product manufacturing operations. The operation use gel coats, resins and other materials in the production of fiberglass drains/sumps for swimming pools, fiberglass wall panels for water parks and other miscellaneous fiberglass products. The use of these raw materials results in fugitive emissions of volatile organic compounds (VOCs) and Hazardous Air Pollutants (HAPs). The emissions unit is limited to emit no more than 34.1 tons of styrene, 35.8 tons of total Hazardous Air Pollutants (HAPs) and 48.7 tons of total volatile organic compounds (VOCs) per any consecutive 12 month period, respectively. Compliance with these emission limitations is demonstrated by recordkeeping. The reinforced fiberglass products manufacturing activities at this facility are regulated by 40 CFR 63 Subpart WWWW - National Emissions Standards for Hazardous Air Pollutants: Reinforced Plastic Composites Production, which is adopted and incorporated by reference in Rule 62-204.800, F.A.C.

Compliance Assurance Monitoring (CAM) is not applicable at this facility, since there are no control devices.

Also included in this permit are miscellaneous insignificant emissions units and/or activities.

Based on the Title V Air Operation Permit Renewal application received December 16, 2009, this facility is a major source of hazardous air pollutants (HAPs).