



Division of Air Resource Management – Scanning Submission

Folder Name Oversized PSD Documents

File Name 0710119-AC

Comments:

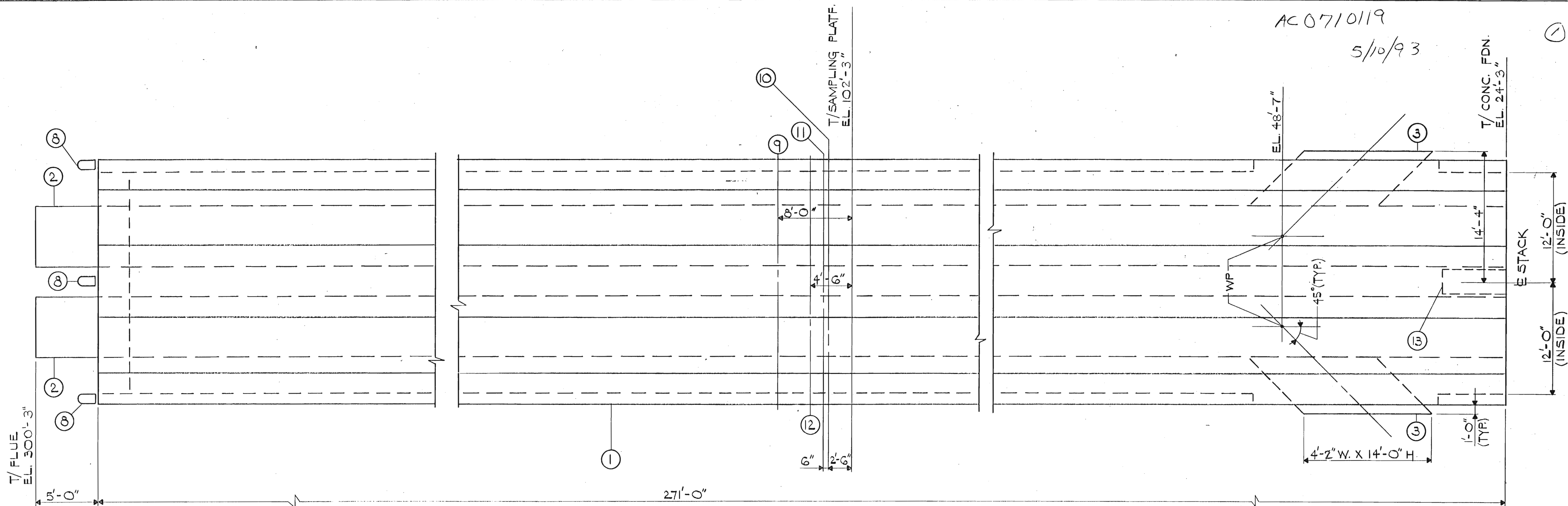
5/10/93 LEE COUNTY ENERGY RECOVERY

PSD FL - 151

AC 0710119

5/10/93

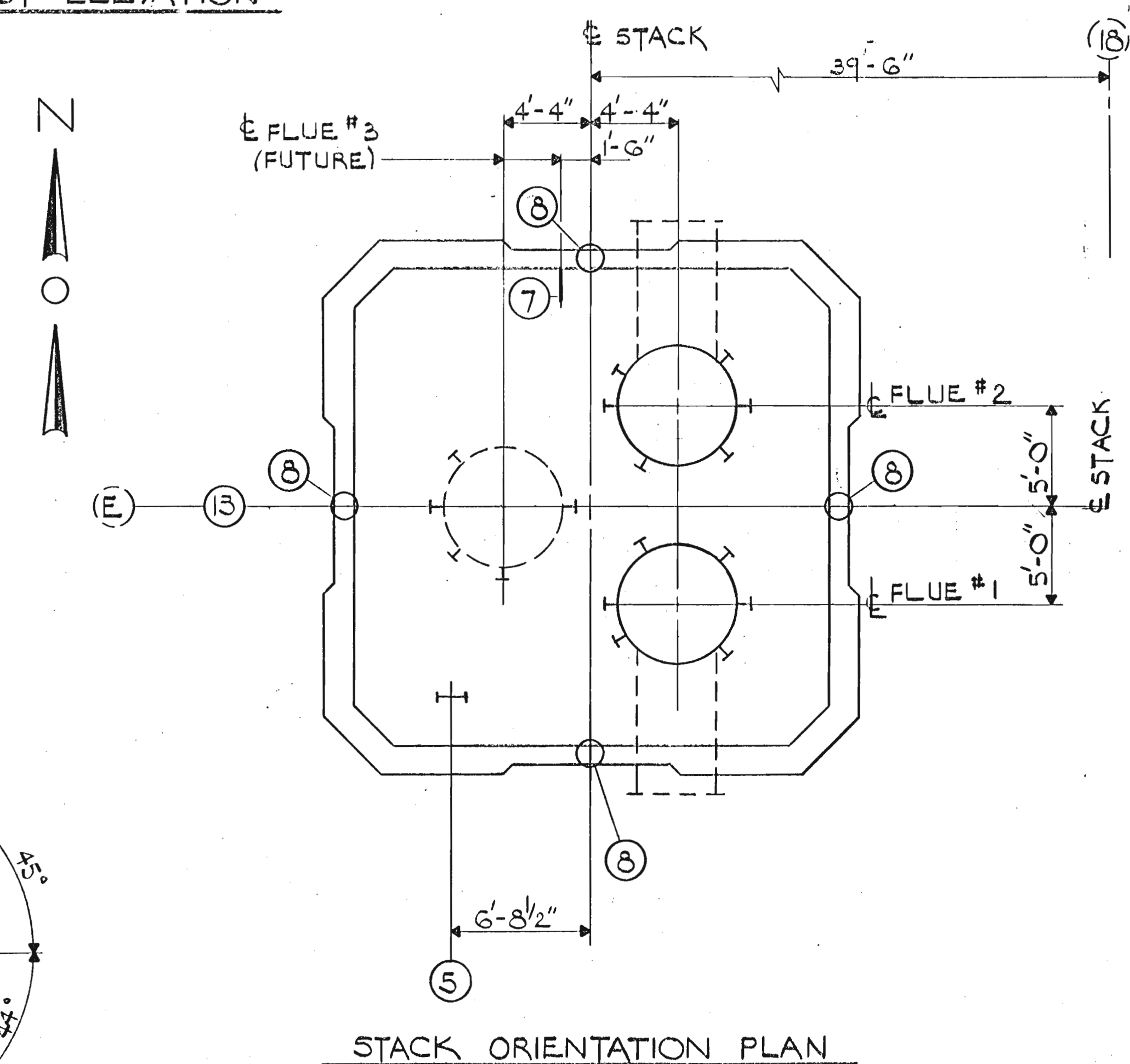
①



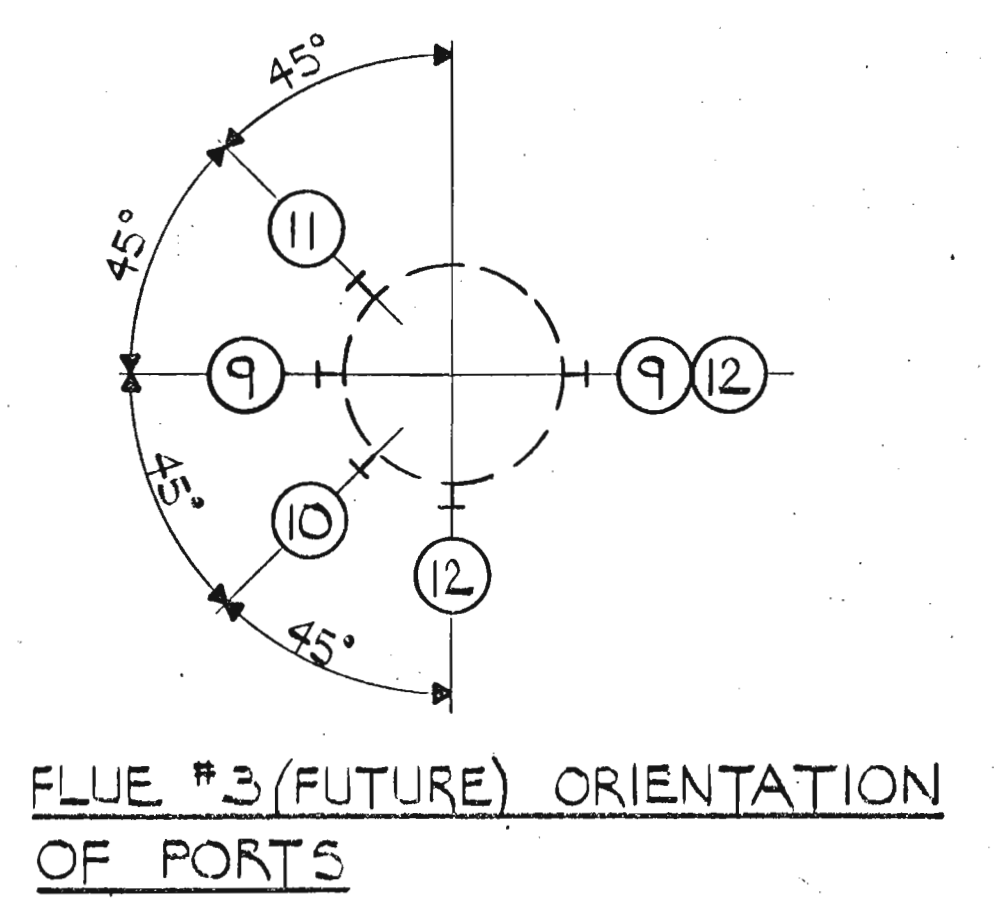
STACK EAST ELEVATION

DRAWING LIST	
DRAWING NO.	TITLE
92-188-1	GENERAL ARRANGEMENT
92-188-2	FOUNDATION DOWEL ARRANGEMENT
92-188-3	SHELL CONSTRUCTION LAYOUT
92-188-4	START OF VERT. REINF. & DETAILS
92-188-5	REINFORCING DETAILS
92-188-6	BAR LIST & REQ. REINF. PLACEMENT SCH.
92-188-7	ROOF FRAMING STEEL
92-188-8	SAMPLING PLATFORM
92-188-9	SAFETY CLIMB LADDER
92-188-10	FLUE SHELL ELEVATIONS
92-188-11	BREECHES PLAN, SECTS. & DETS.
92-188-12	ACCESS DOORS
92-188-13	SAMPLING PLATF. SECTS. & DETS.
92-188-14	SAMPLING PLATF. SECTS. & DETS.
92-188-15	
92-188-16	CONCRETE ROOF PLAN

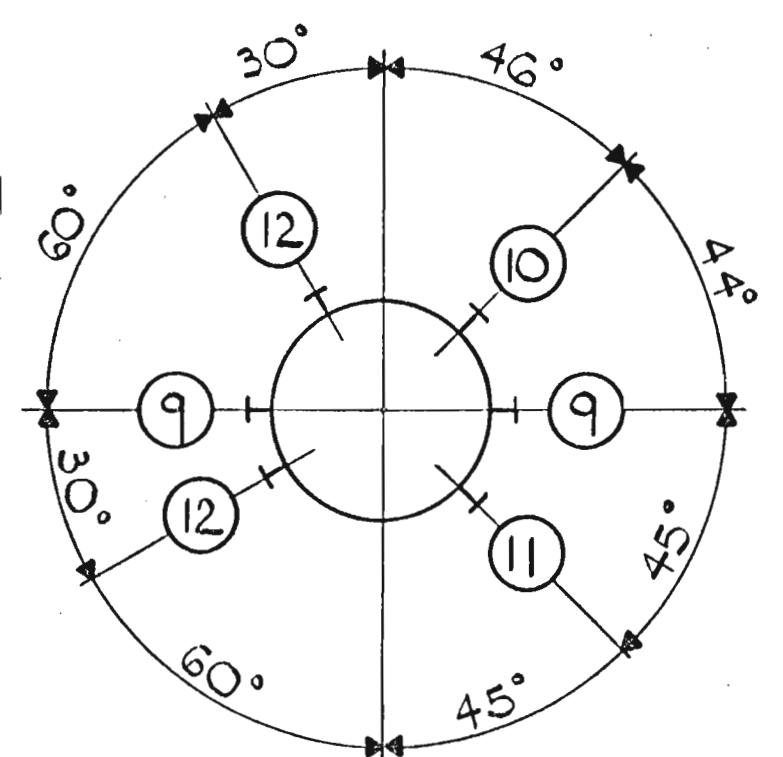
ITEM LIST			
ITEM	Nº REQD	DESCRIPTION	DWG Nº
①	1	CONCRETE STACK	
②	2	FLUE (6'-6" I.D.)	
③	2	BREECHING INLET	
④	2	ACCESS DOOR (FLUE)	
⑤	1	SAFETY CLIMB LADDER	
⑥	1	SAMPLING PLATF	
⑦	1	HOISTING DAVIT (500# CAP.)	
⑧	4	AVIATION LIGHTS	
⑨	2	OPACITY PORTS (4"φ)	
⑩	1	C.E.M. PORT (4"φ)	
⑪	1	C.E.M. TEST PORT (4"φ)	
⑫	2	SAMPLING PORTS (6"φ)	
⑬	1	MAN DOOR (3' W. X 7' H.)	



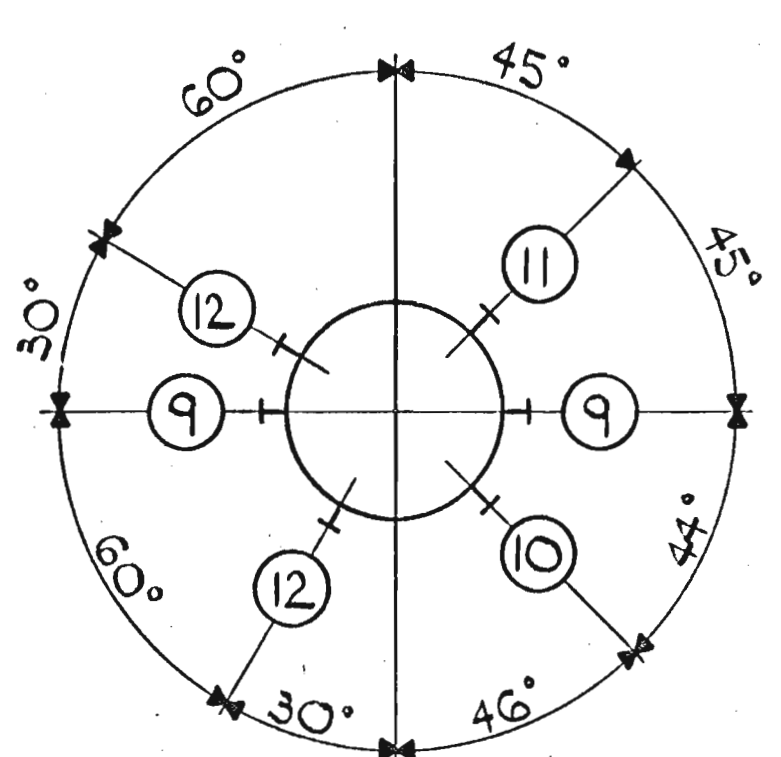
STACK ORIENTATION PLAN



FLUE #3 (FUTURE) ORIENTATION OF PORTS



FLUE #1 ORIENTATION OF PORTS



FLUE #2 ORIENTATION OF PORTS

This drawing is the property of Commonwealth Dynamics, Inc. and is loaned subject to the condition that it is not to be copied or disposed of, or used to aid in making drawings, apparatus or parts thereof except when authorized by specific contract.

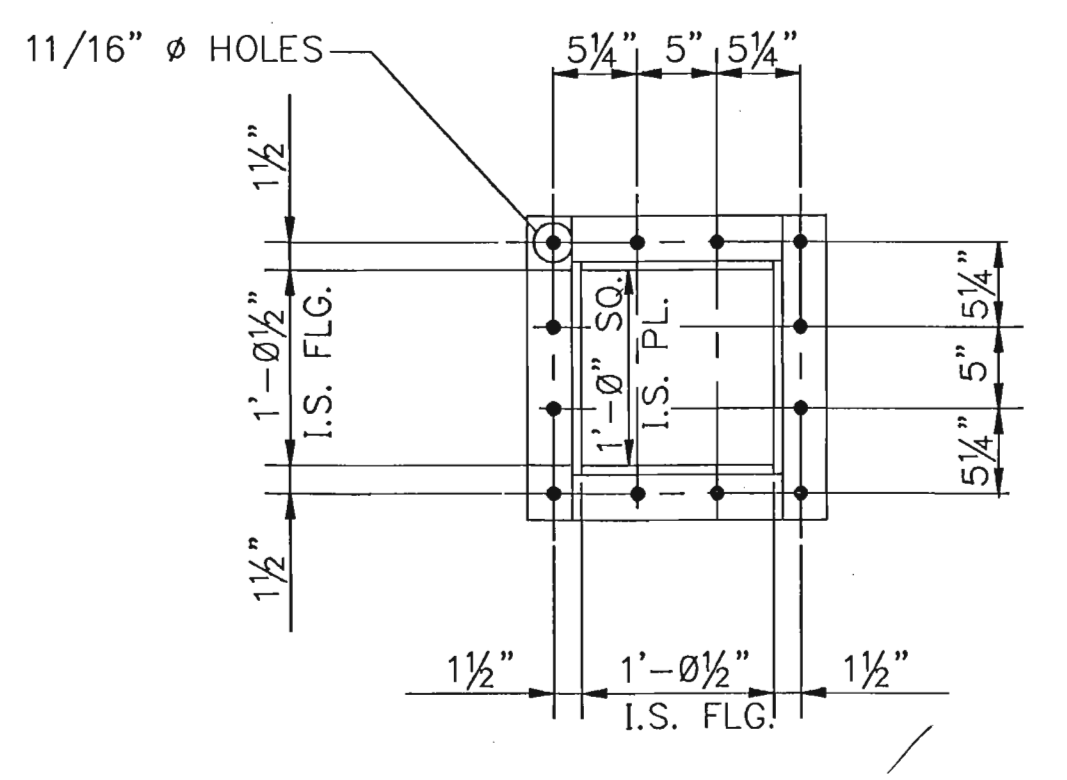
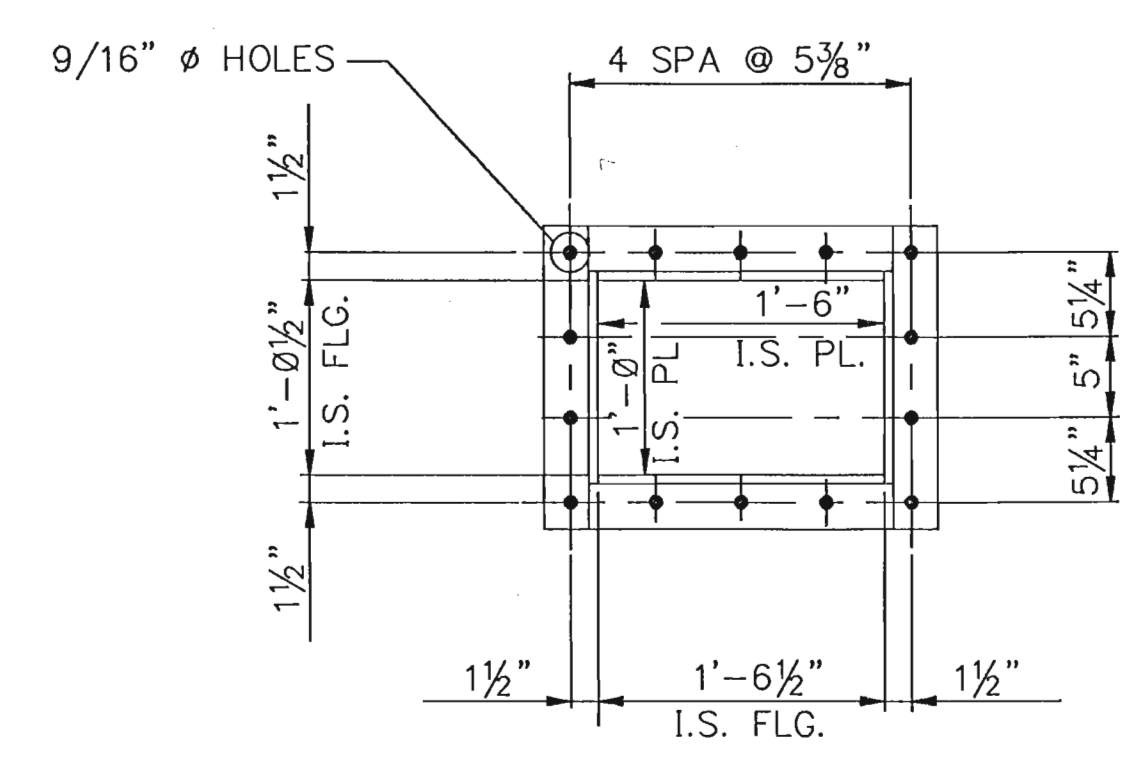
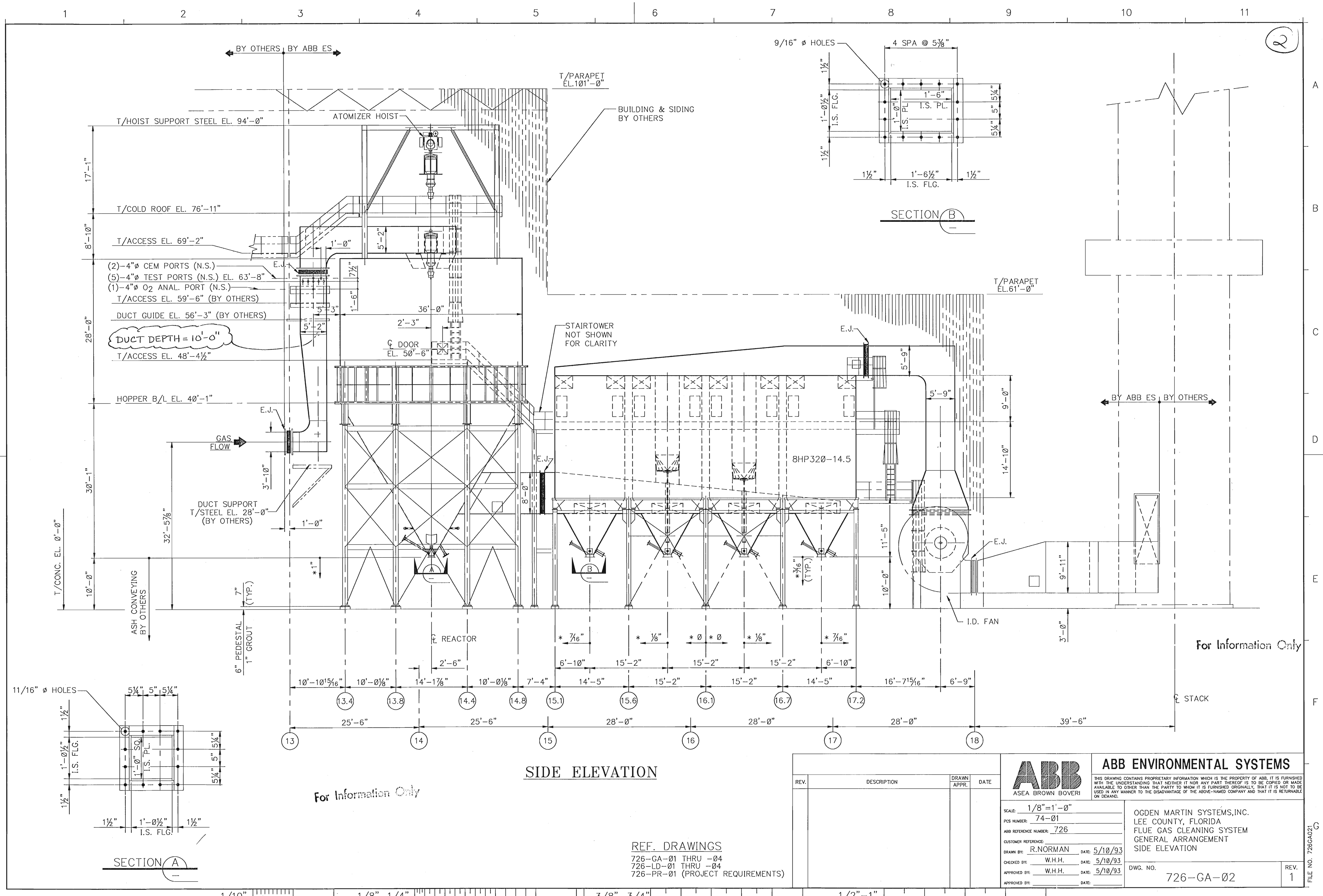
Raw	5	REV. DUCT WITH ADD. DWG. TITLES
	10	3'-6" REV. PORT SIZE & LOCATION,
	93	RAISED PLATF.
Raw	0	4-16-93 FOR APPROVAL
APPROVED	REV.	DATE
		DESCRIPTION

COMMONWEALTH DYNAMICS, INC.
PORTSMOUTH, N.H.

LEE COUNTY RESOURCE RECOVERY FACILITY
LEE COUNTY, FLORIDA
MULTI-FLUE CONCRETE CHIMNEY

GENERAL ARRANGEMENT

SCALE: AS NOTED	DRAWN BY: SRS	DRAWING NUMBER: 92-188-1	REV.
DATE: APR. 93	CK'D BY: R. Walter		



SIDE ELEVATION

For Information Only

REF. DRAWINGS
 726-GA-01 THRU -04
 726-LD-01 THRU -04
 726-PR-01 (PROJECT REQUIREMENTS)

REV.	DESCRIPTION	DRAWN APPR.	DATE

ABB ENVIRONMENTAL SYSTEMS
 ASE A BROWN BOVERI

THIS DRAWING CONTAINS PROPRIETARY INFORMATION WHICH IS THE PROPERTY OF ABB. IT IS FURNISHED WITH THE UNDERSTANDING THAT NEITHER IT NOR ANY PART THEREOF IS TO BE COPIED OR MADE AVAILABLE TO OTHER THAN THE PARTY TO WHOM IT IS FURNISHED ORIGINALLY, THAT IT IS NOT TO BE USED IN ANY MANNER TO THE DISADVANTAGE OF THE ABOVE-NAMED COMPANY AND THAT IT IS RETURNABLE ON DEMAND.

SCALE: 1/8" = 1'-0"
 PCS NUMBER: 74-01
 ABB REFERENCE NUMBER: 726
 CUSTOMER REFERENCE:
 DRAWN BY: R.NORMAN DATE: 5/10/93
 CHECKED BY: W.H.H. DATE: 5/10/93
 APPROVED BY: W.H.H. DATE: 5/10/93

OCDEN MARTIN SYSTEMS, INC.
 LEE COUNTY, FLORIDA
 FLUE GAS CLEANING SYSTEM
 GENERAL ARRANGEMENT
 SIDE ELEVATION

DWG. NO. 726-GA-02
 REV. 1



For Information Only

STACK

2

A
B
C
D
E
F

FILE NO. 726GADZ1