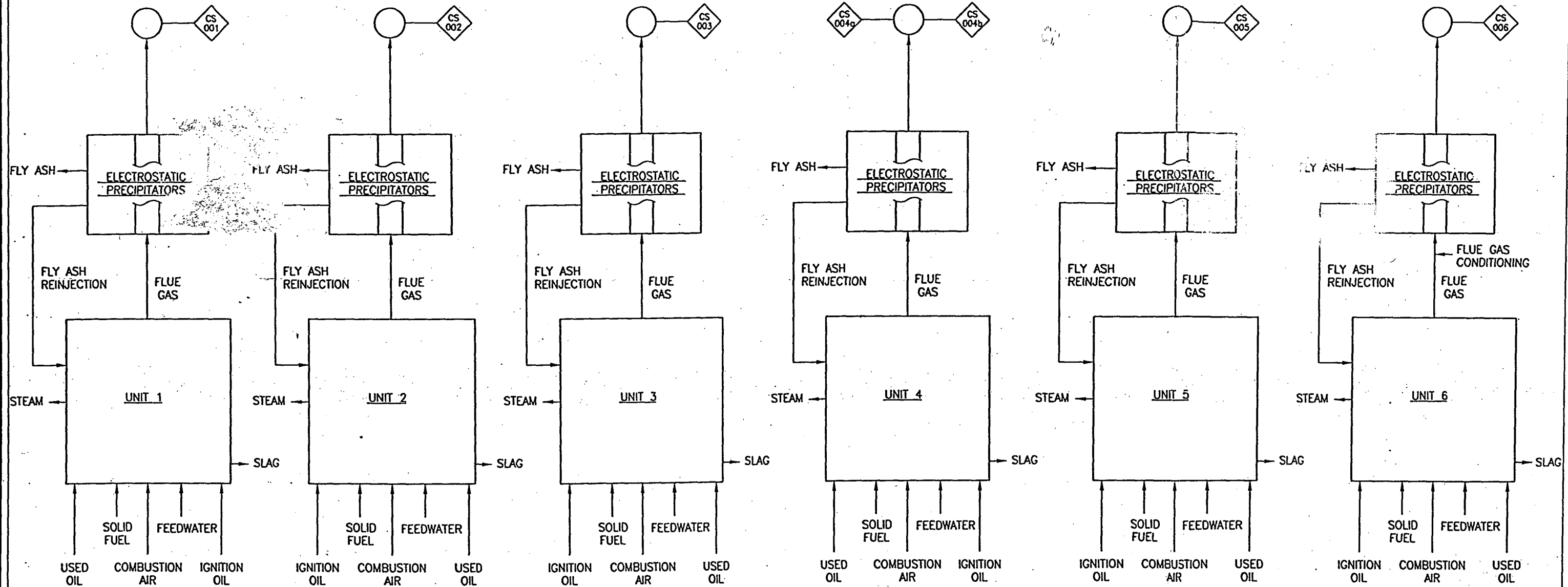


Best Available Copy



0570040-016-AC
3/19/07

0570040-016-AC
3/19/07

LEGEND
CS-00 EMISSION POINT

FIGURE IID.3.6.
F.J. GANNON STATION
BOILER PROCESS FLOW DIAGRAM
Source: ECT, 1996.

