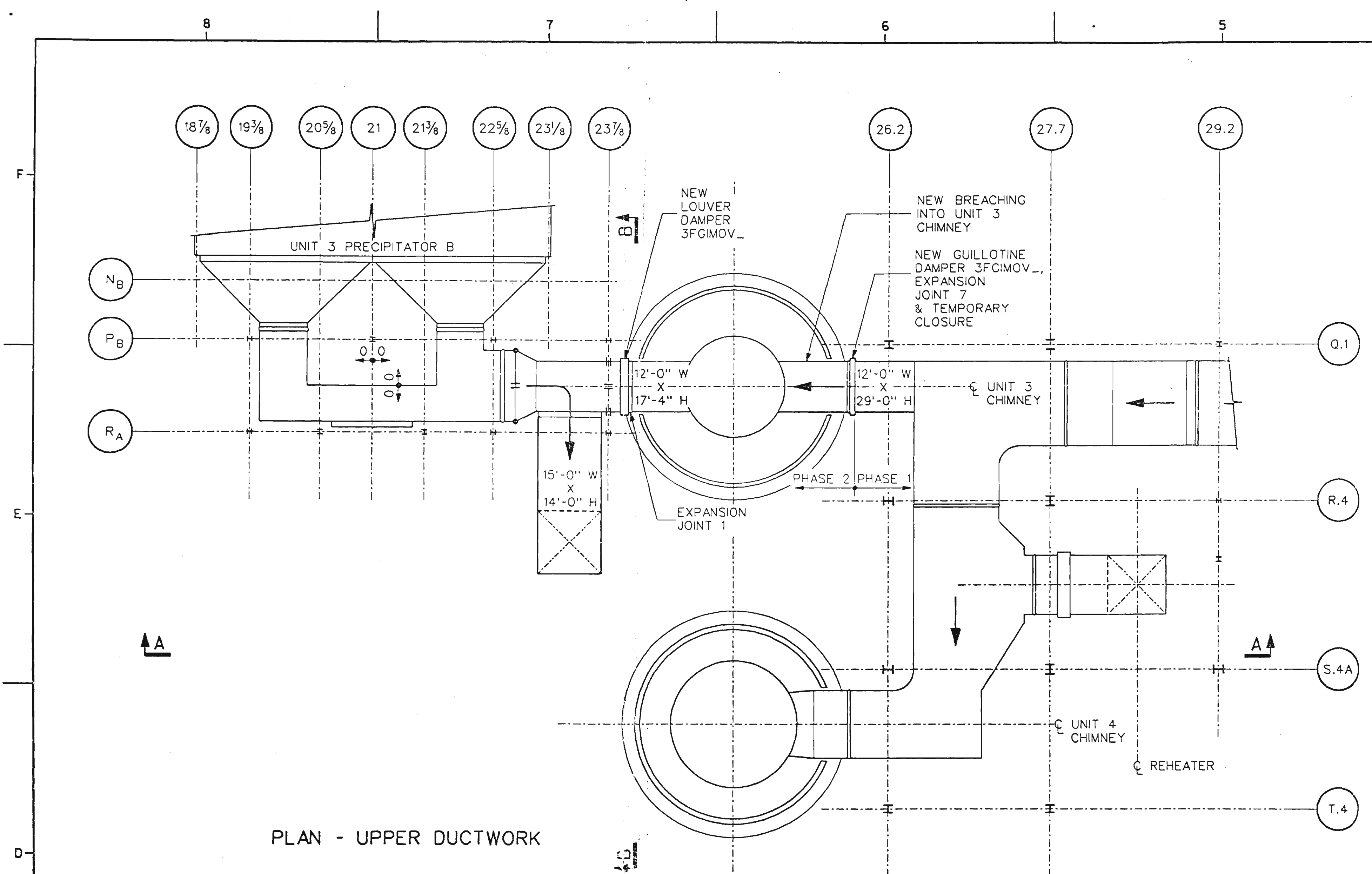
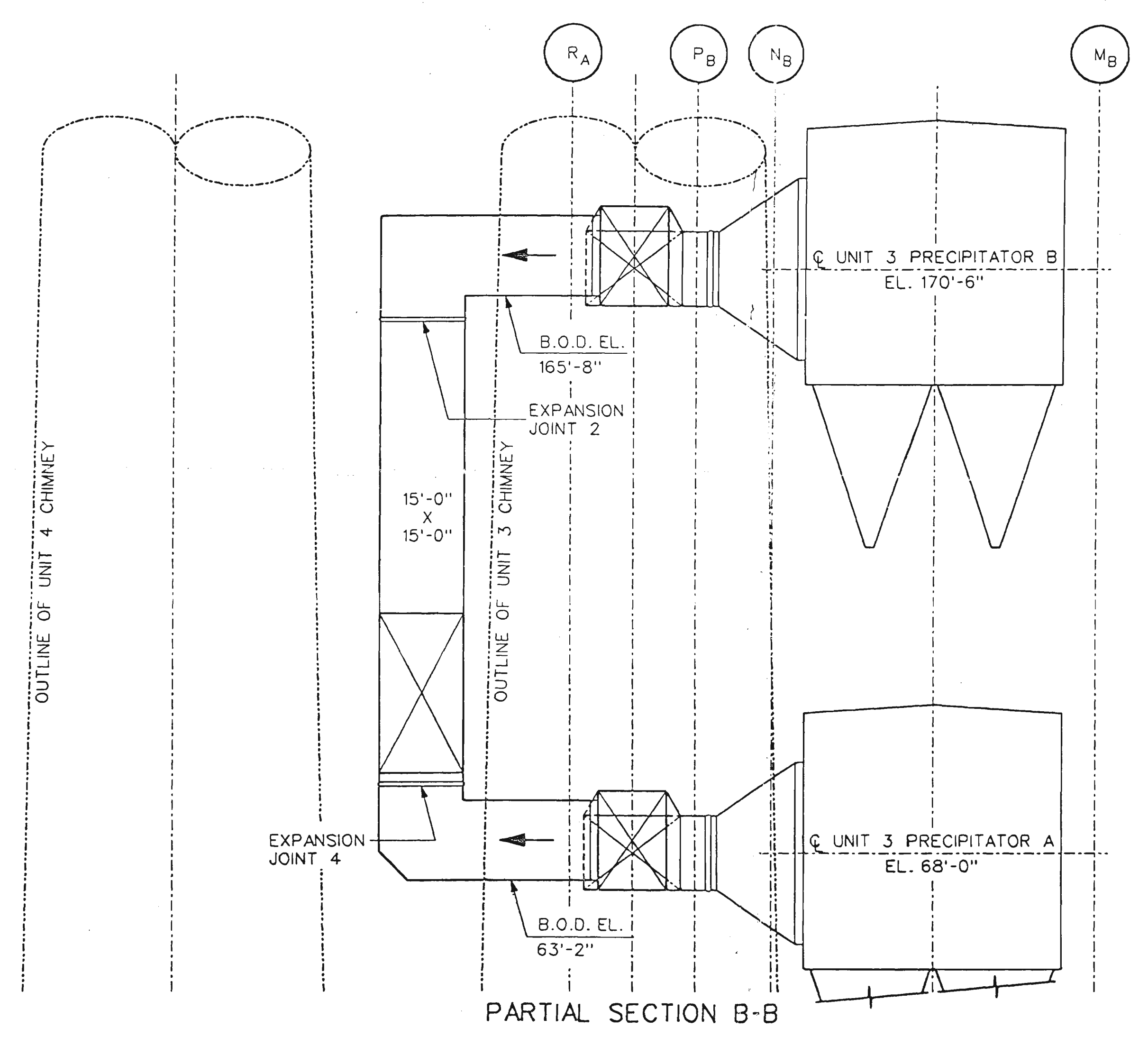


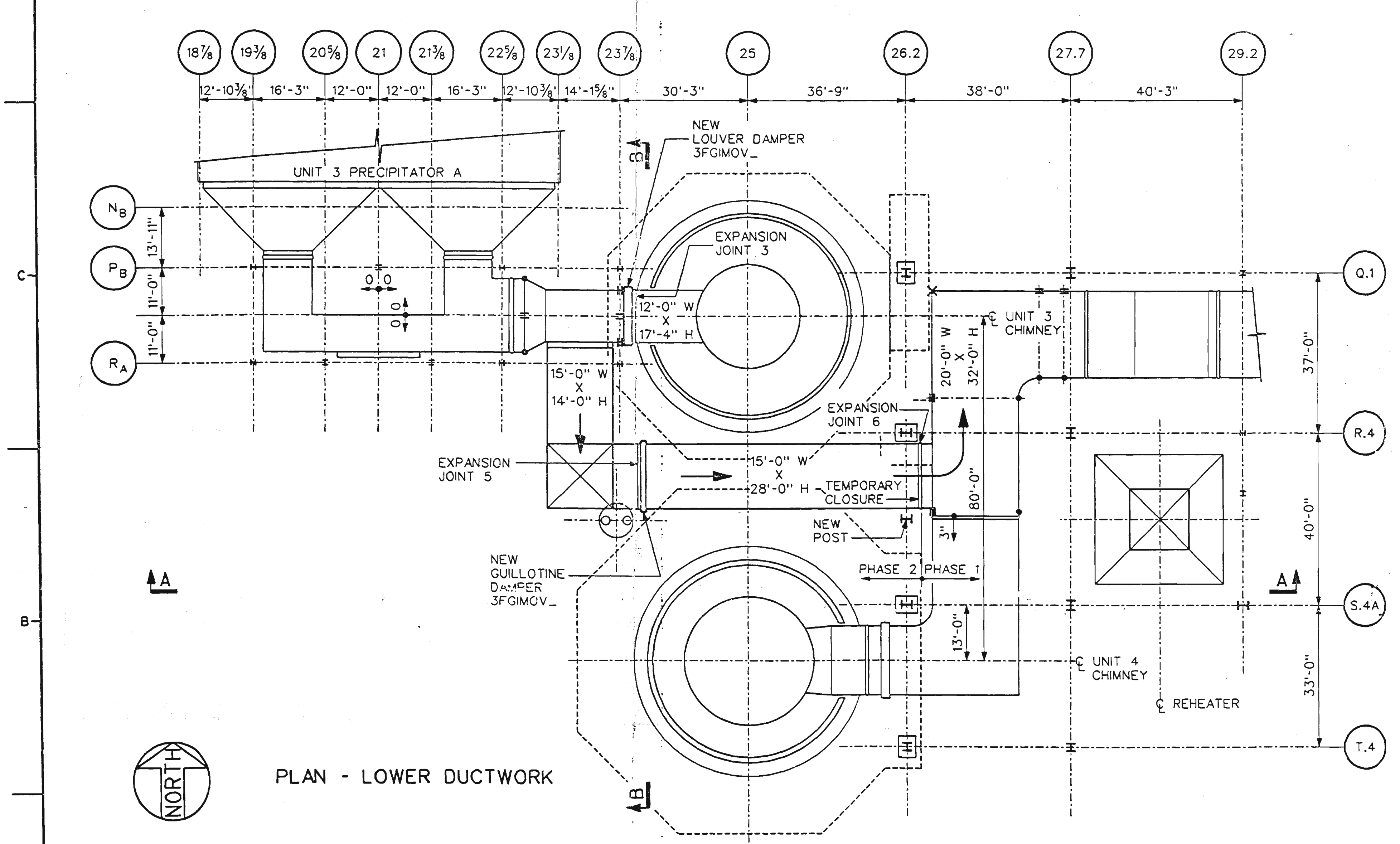
PSD-FL-040
9/14/94



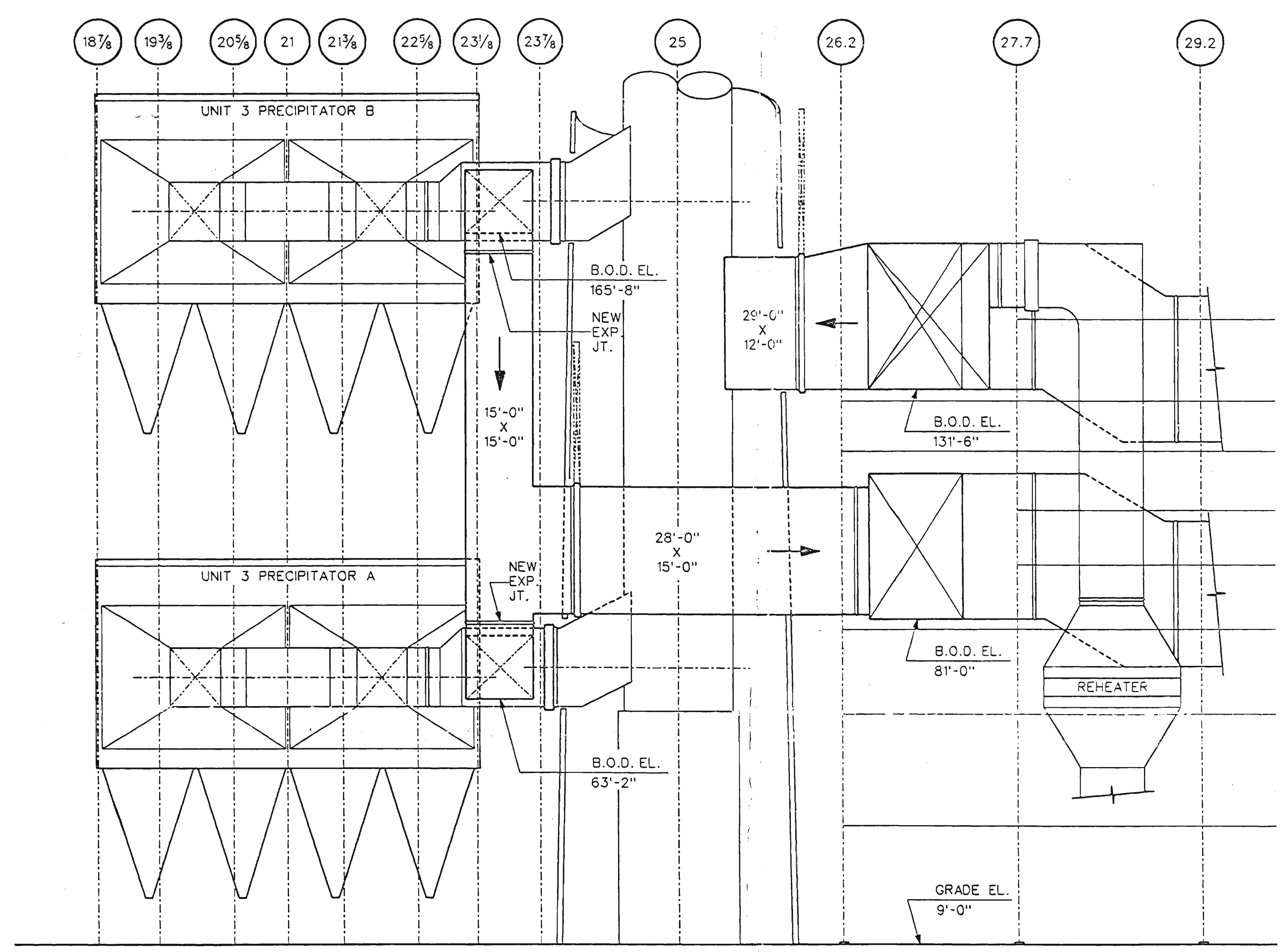
PLAN - UPPER DUCTWORK



PARTIAL SECTION B-B



PLAN - LOWER DUCTWORK



SECTION A-A
(UNIT 4 CHIMNEY OMITTED FOR CLARITY)

NOTE: ALL FLOWS SHOWN ARE FOR CONCURRENT OPERATION OF UNITS 3 & 4

DRAWING RELEASE RECORD					DRAWING RELEASE RECORD					SCALE 1/8" = 1'-0" PROJECT NUMBER 9476-01	GENERAL ARRANGEMENTS FGD INTERGRATION PROJECT BIG BEND STATION UNITS 3 & 4 TAMPA ELECTRIC COMPANY TAMPA, FLORIDA	FILE BIGBEND2.DGN				
REV.	DATE	REL'D.	PREPARED	REVIEWED	APPROVED	PURPOSE	FILM	REV.	DATE				REL'D.	PREPARED	REVIEWED	APPROVED
									09-16-94		D. SKOIRCHET					
CLIENT COMMENTS																

SARGENT & LUNDY
ENGINEERS
CHICAGO

DRAWING NO. MS-01
SHEET OF