

Florida Department of Environmental Regulation

Twin Towers Office Bldg. • 2600 Blair Stone Road • Tallahassee, Florida 32399-2400

Bob Martinez, Governor

Dale Twachtmann, Secretary

John Shearer, Assistant Secretary

July 7, 1989

CERTIFIED MAIL - RETURN RECEIPT REQUESTED


Mr. Terry L. Frey
Plant Engineering Manager
Armstrong World Industries, Inc.
Post Office Box 1991
Pensacola, Florida 32589

Dear Mr. Frey:

This is in reply to your June 29, 1989, letter requesting a modification of construction permit No. AC 17-128287 to allow exhausting your vacuum feeder to the atmosphere.

Since the change involves an emissions increase, a completed Application to Operate/Construct Air Pollution Sources, DER Form 17-1.202(1), will be required along with the \$200 permit processing fee authorized by F.A.C. Rule 17-4.050(4)(a)1.e.

Sincerely,

for 

C. H. Fancy, P.E.
Deputy Chief
Bureau of Air Quality
Management

CHF/JR/t

cc: J. Preece, NW District
W. Aronson, EPA

SENDER: Complete items 1 and 2 when additional services are desired, and complete items 3 and 4. Put your address in the "RETURN TO" space on the reverse side. Failure to do this will prevent this card from being returned to you. The return receipt fee will provide you the name of the person delivered to and the date of delivery. For additional fees the following services are available. Consult postmaster for fees and check boxes for additional service(s) requested.

1. Show to whom delivered, date, and addressee's address. 2. Restricted Delivery (Extra charge)

3. Article Addressed to:
Mr. Terry L. Frey
Plant Engineering Manager
Armstrong World Industries, Inc.
P.O. Box 1991
Pensacola, FL 32589

4. Article Number
P 938 762 614


Type of Service:
 Registered Insured
 Certified COO
 Express Mail Return Receipt for Merchandise

Always obtain signature of addressee or agent and **DATE DELIVERED**.

5. Signature - Address
 X *Darryl*

6. Signature - Agent
 X

8. Addressee's Address ONLY if requested and fee paid



7. Date of Delivery

P 938 762 614

RECEIPT FOR CERTIFIED MAIL
 NO INSURANCE COVERAGE PROVIDED
 NOT FOR INTERNATIONAL MAIL
 (See Reverse)

Sent to Mr. Terry L. Frey, Armstrong	
Street and No. World Ind. P.O. Box 1991	
P.O., State and ZIP Code Pensacola, FL 32589	
Postage	S
Certified Fee	
Special Delivery Fee	
Restricted Delivery Fee	
Return Receipt showing to whom and Date Delivered	
Return Receipt showing to whom, Date, and Address of Delivery	
TOTAL Postage and Fees	S
Postmark or Date Mailed: 7-10-89 Permit: AC 17-128287	

PS Form 3800, June 1985



PM
6-30-89
Pensacola, FL

file copy

RECEIVED

JUL 3 1989

DER-BAQM

June 29, 1989

Mr. Clair H. Fancy
Deputy Chief
Bureau of Air Quality Management
Twin Towers Office Building
2600 Blair Stone Road
Tallahassee, FL 32399-2400

Dear Mr. Fancy:

On July 18, 1988, and February 22, 1989, your department issued revisions to our construction permit #AC17-128287. Under this construction permit, the vacuum feeder was vented within the building. Due to excessive noise that has become evident during the commissioning phase of the project, we wish to exhaust the vacuum feeder to the atmosphere (see figure #2). This will require a revision to the construction permit.

In order to determine possible emissions to the atmosphere as a result of this change, a particulate test was conducted. The results of this test indicate that we would have emissions of 2.8 tons/year, or on average, .694 #/hr. (see table #1) from the vacuum feeder.

I believe this information will give the department all data needed in revising the permit to allow us to vent the vacuum feeder to the atmosphere.

If you have any questions concerning this matter, please contact me at (904) 435-2252.

Very truly yours,

Terry L. Frey
Terry L. Frey
Plant Engineering Manager

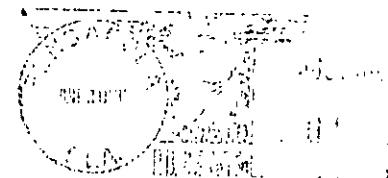
CVC

Enclosures

*copied: 1. as provided
2. 1/11/89
3. 1/11/89
CHF/IST*

Armstrong World Industries, Inc.
P.O. Box 1991, Pensacola, FL 32589

Armstrong



*Mr. Clair H. Fancy
Deputy Chief
Bureau of Air Quality Management
Twin Towers Office Building
2600 Blair Stone Road
Tallahassee, FL 32399-2400*

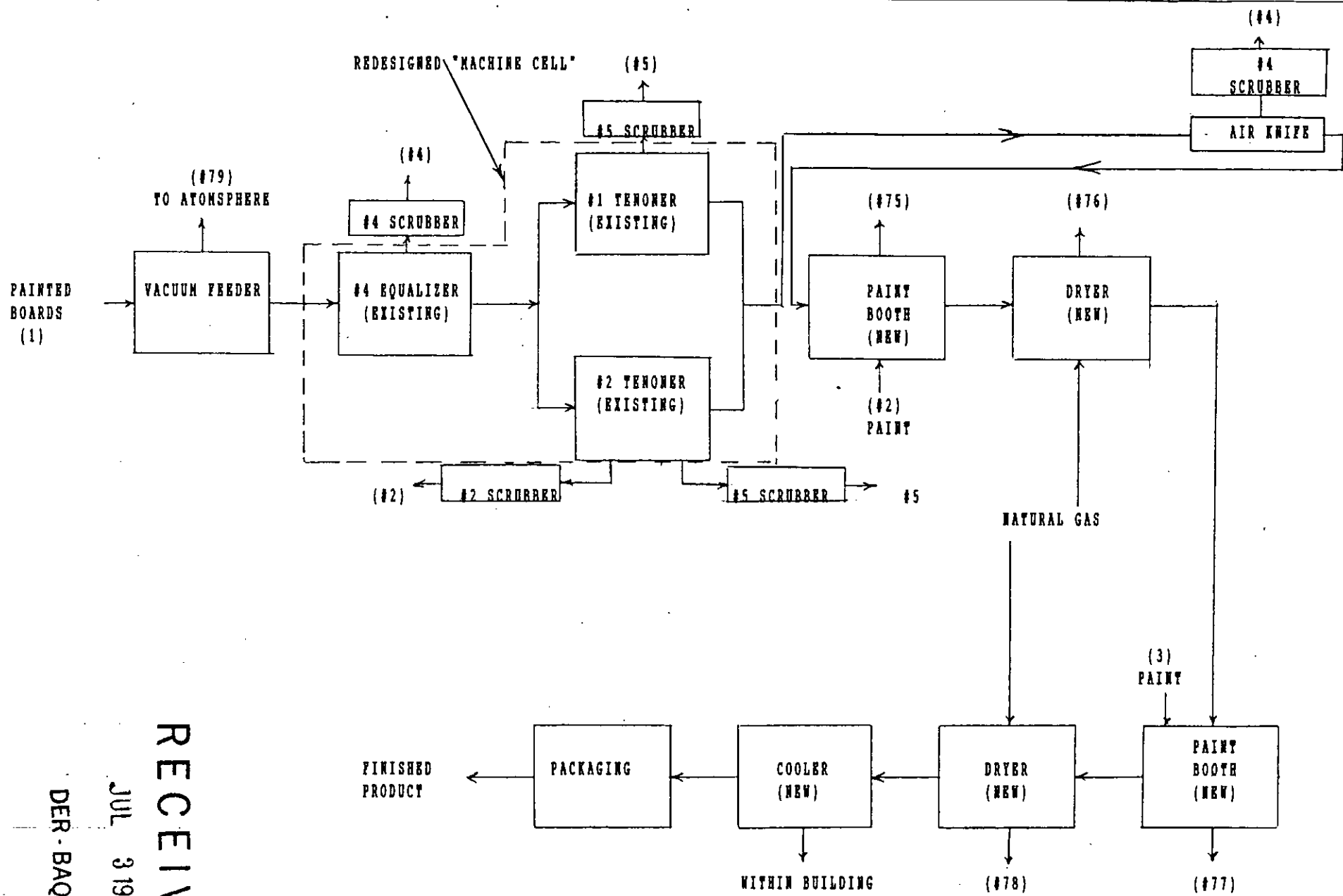


FIGURE #2

RECEIVED
 JUL 3 1989
 DER-BAQM

RECEIVED

JUL 3 1989

DER

TABLE #1

Maximum annual production = 47,000,000 surface ft²

Particulate test results:

particulate mass rate = .888613 #/hr

number of ft² produced per hour = 7553 ft²/hr

Therefore, annual emissions = 2.78 tons/yr

$$47,000,000 \text{ ft}^2/\text{yr} \times \frac{.888613 \text{ \#/hr}}{7553 \text{ ft}^2/\text{hr}} = 5529.6 \text{ \#/yr}$$
$$= 2.76 \text{ t/yr}$$

Average hourly rate = .686 #/hr

$$5529.6 \text{ \#/yr} \times \frac{1}{48 \text{ wk/yr} \times 7 \text{ days/wk} \times 24 \text{ hr/day}} = .686 \text{ \#/hr}$$