

CertainTeed

RECEIVED

APR 02 2010

BUREAU OF
AIR REGULATION

CertainTeed Gypsum
9225 Dames Point Road
Jacksonville, Florida 3226

March 29, 2010

Ms. Gloria Hunter-Barnes
Duval County/City of Jacksonville
Environmental and Compliance Department
Environmental Quality Division
407 North Laura Street, Suite 300
Jacksonville, Florida 32202

**RE: CertainTeed Corporation and Ceiling Manufacturing, Inc.
Gypsum Wallboard Manufacturing Plant
9225 Dames Point Road, Jacksonville (Duval County)
Facility ID 0310202
Title V Revision 0310202-013-AV
Follow-up Questions and Answers**

Ms. Gloria Hunter-Barnes:

Please find below and attached hereto the follow-up information you requested regarding Title V Renewal application 0310202-013-AV for the CertainTeed Corporation and Ceiling Manufacturing, Inc. gypsum wallboard manufacturing plant located at 9225 Dames Point Road, Jacksonville (Duval County).

- (1) The completed and signed Electronic Submittal and Processing System (EPSAP) Professional Engineer (PE) Signature Document from the original EPSAP application submittal is provided under separate cover.
- (2) Process flow diagrams are provided in Attachment A to this correspondence.
- (3) Precautions to prevent emissions of unconfined particulate matter are provided in Attachment B to this correspondence.
- (4) The Printing Operations are now addressed in the volatile organic compound (VOC) and hazardous air pollutant (HAP) calculations provided in Attachment C to this correspondence. All parts washers have been removed from the site. If and when they are returned, the appropriate Title V revision procedures to add Insignificant Activities (with calculations) will be followed. All chlorine storage cylinders have been removed from the site and will not return.
- (5) For the purposes of Rule 62-210-300(2)(a)3.b. applicability, all emission units can be considered shut down effective January 1, 2009.
- (6) Revised VOC and HAP emission calculations are provided in Attachment C to this correspondence. Material Safety Data Sheets (MSDS) are provided in Attachment D.
- (7) Responsible Official (RO) certification of the information contained herein is provided in Attachment E to this correspondence.
- (8) PE Certification of the information contained herein is provided in Attachment F to this correspondence.

Should you have any comments, questions, or concerns about the information provided herein please contact D. Neil Gresham, Jr. P.E., Southeast HSE Manager, Saint-Gobain Corporation at (919) 691-2073 or at douglas.n.gresham@saint-gobain.com.

Sincerely,



Rob Bruno
Responsible Official

Attachments

cc: Florida Department of Environmental Protection
Division of Air Resource Management
Bureau of Air Regulation
2600 Blair Stone Road, MS 5000
Tallahassee, Florida 32399

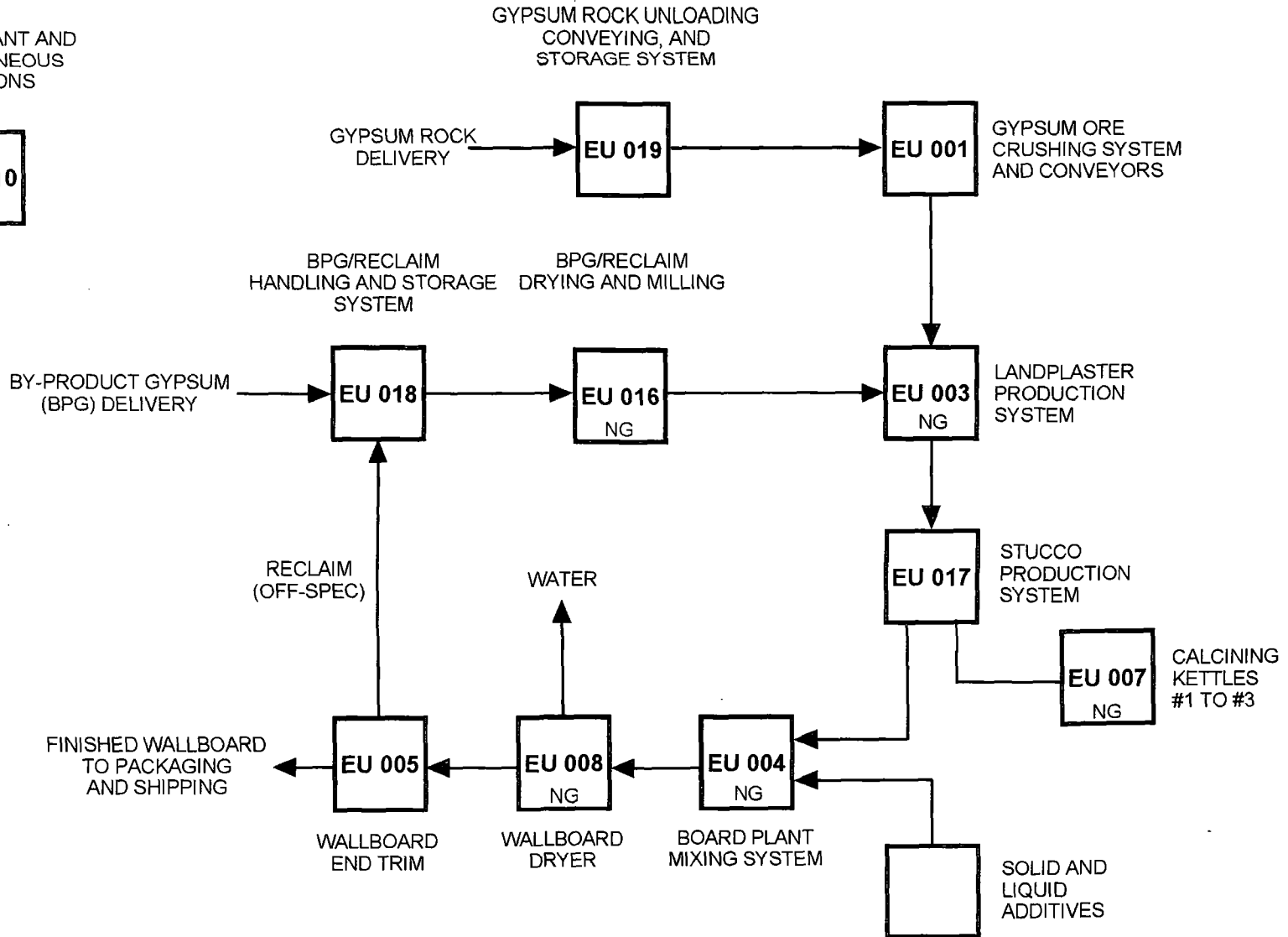
Florida Department of Environmental Protection
Division of Air Resource Management
Bureau of Air Regulation – Northeast District
7825 Baymeadows Way, Suite 200 B
Jacksonville, Florida 32256

Neil Gresham
Chuck Huggins
Todd Cloud

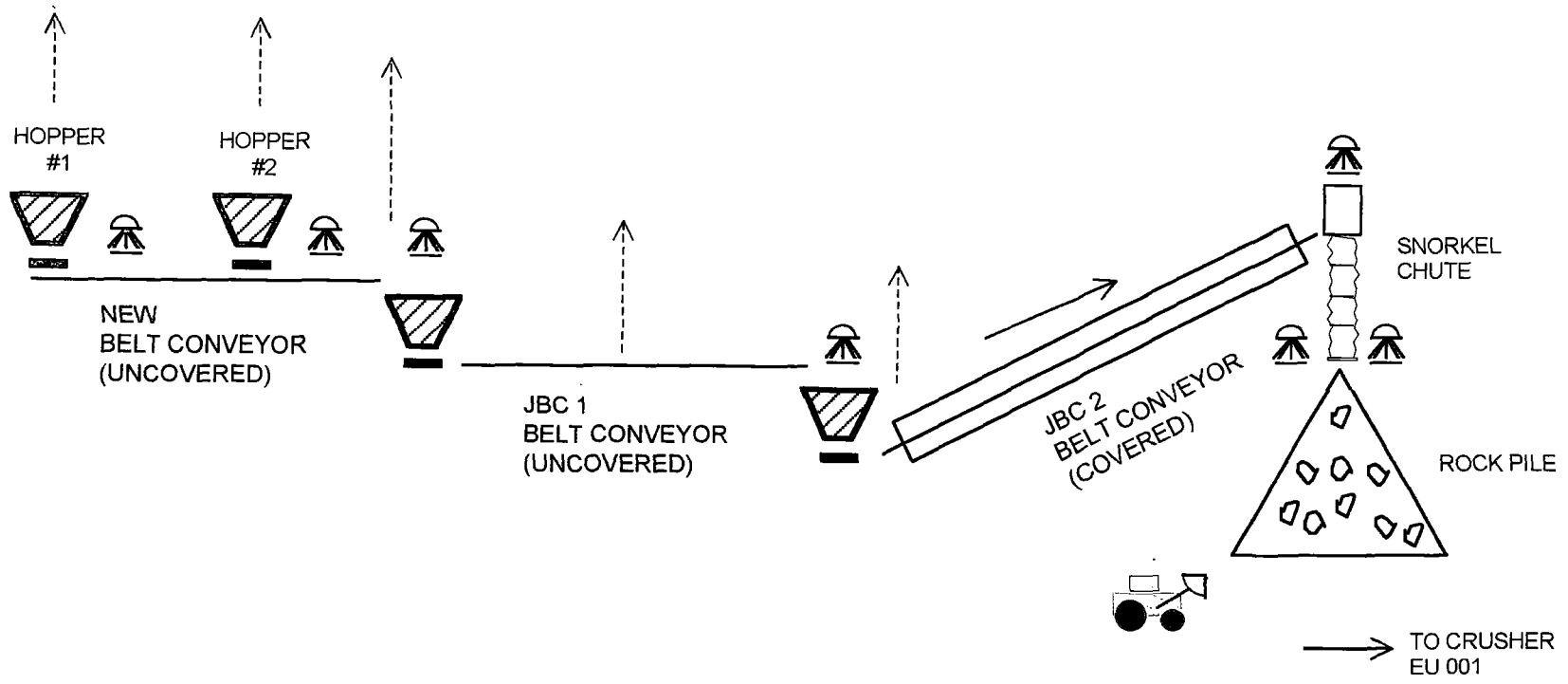
Attachment A
Process Flow Diagrams

INSIGNIFICANT AND
MISCELLANEOUS
EMISSIONS

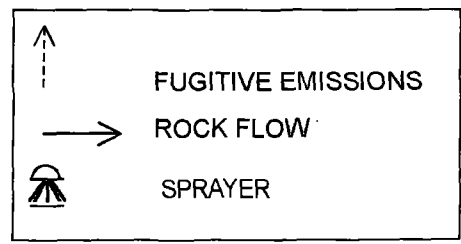
EU 010

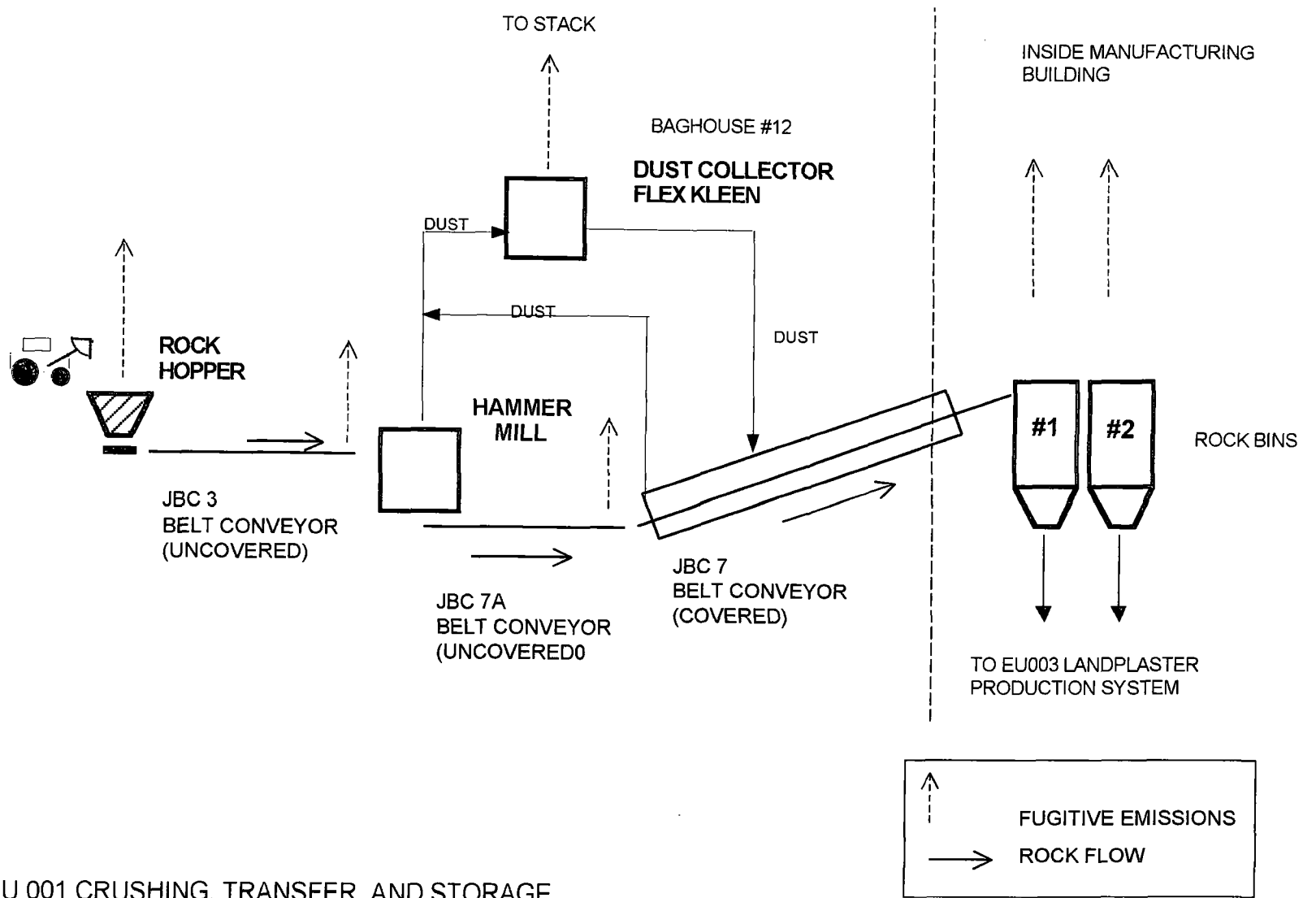


**PROCESS FLOW DIAGRAM
WALLBOARD MANUFACTURING, INC.
BPB MANUFACTURING, INC.**

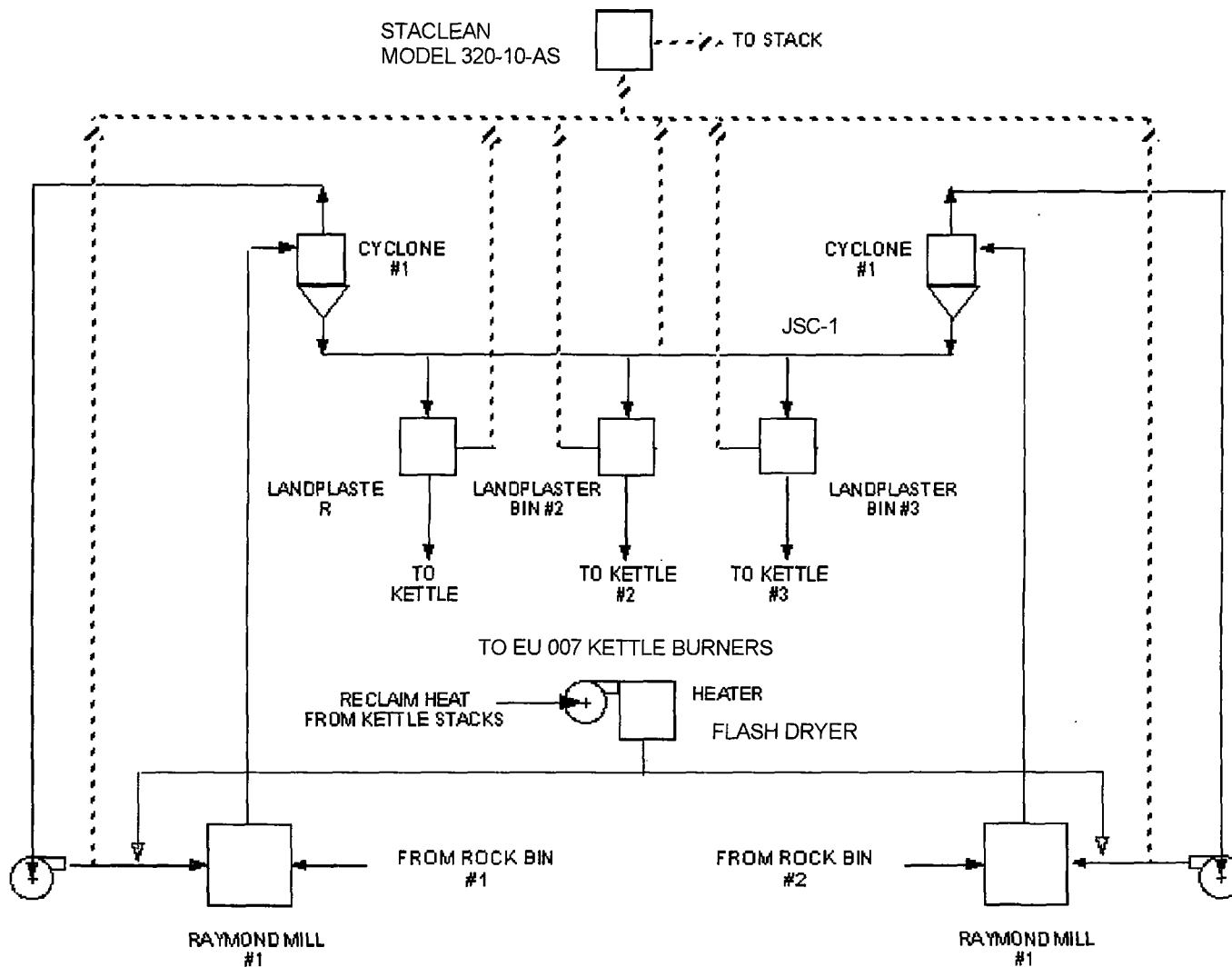


EU 019 GYPSUM ROCK UNLOADING
 AND STORAGE
 BPB MANUFACTURING, INC. .

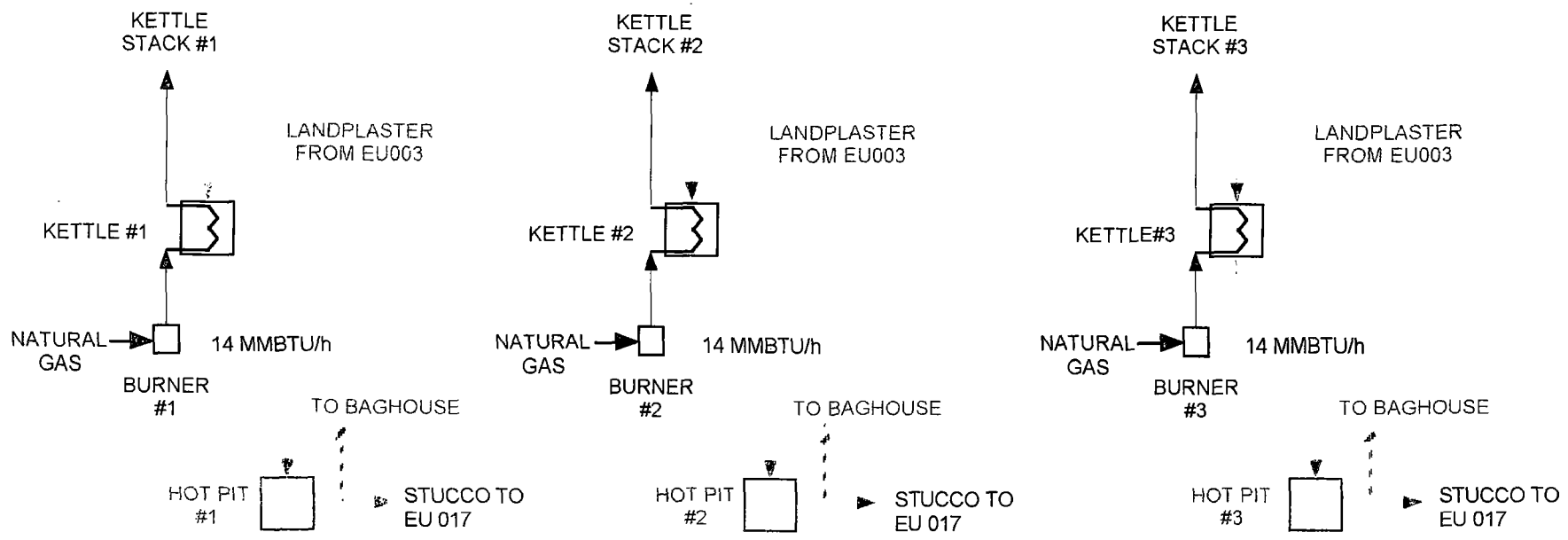




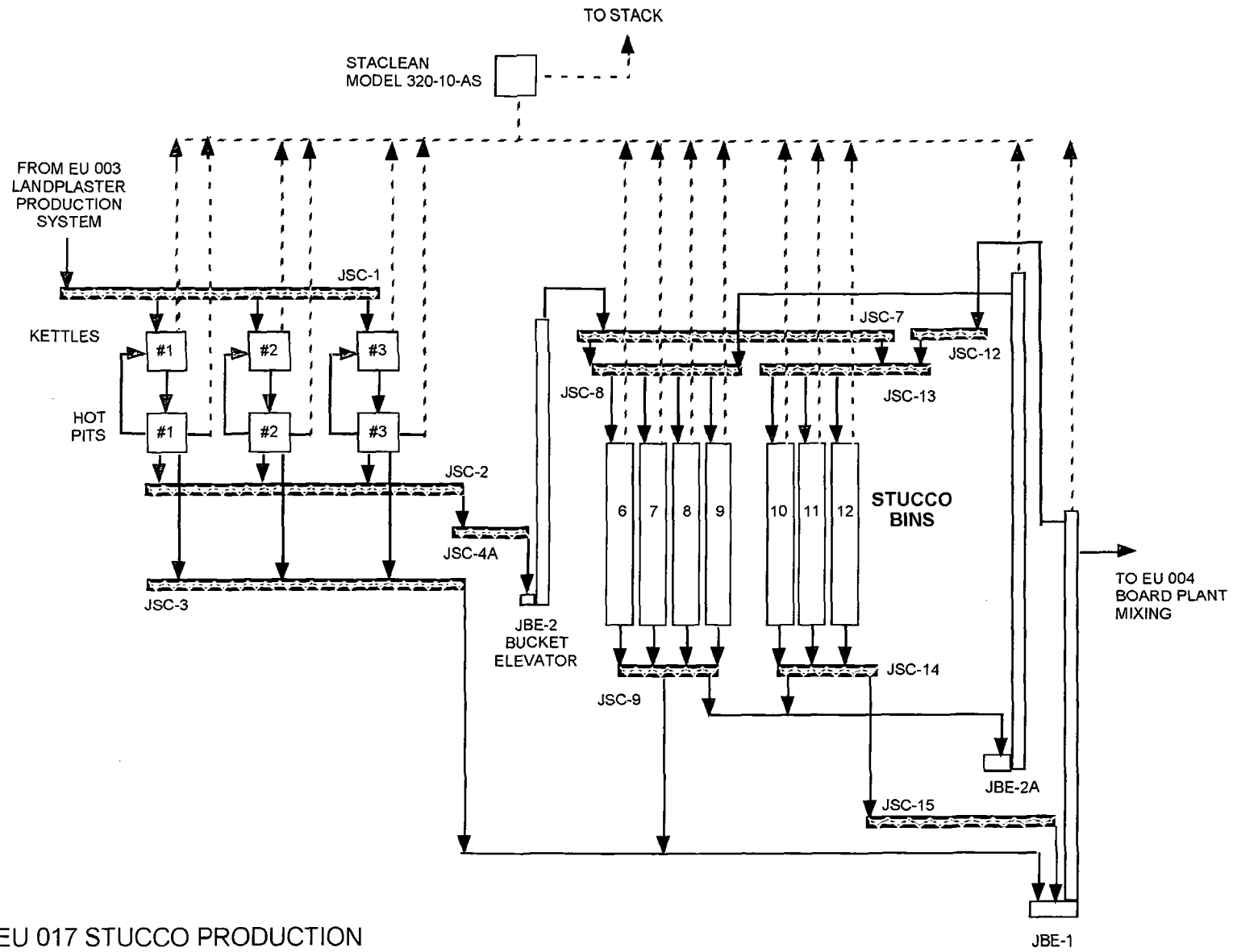
EU 001 CRUSHING, TRANSFER, AND STORAGE
OF GYPSUM ROCK
BPB MANUFACTURING, INC.



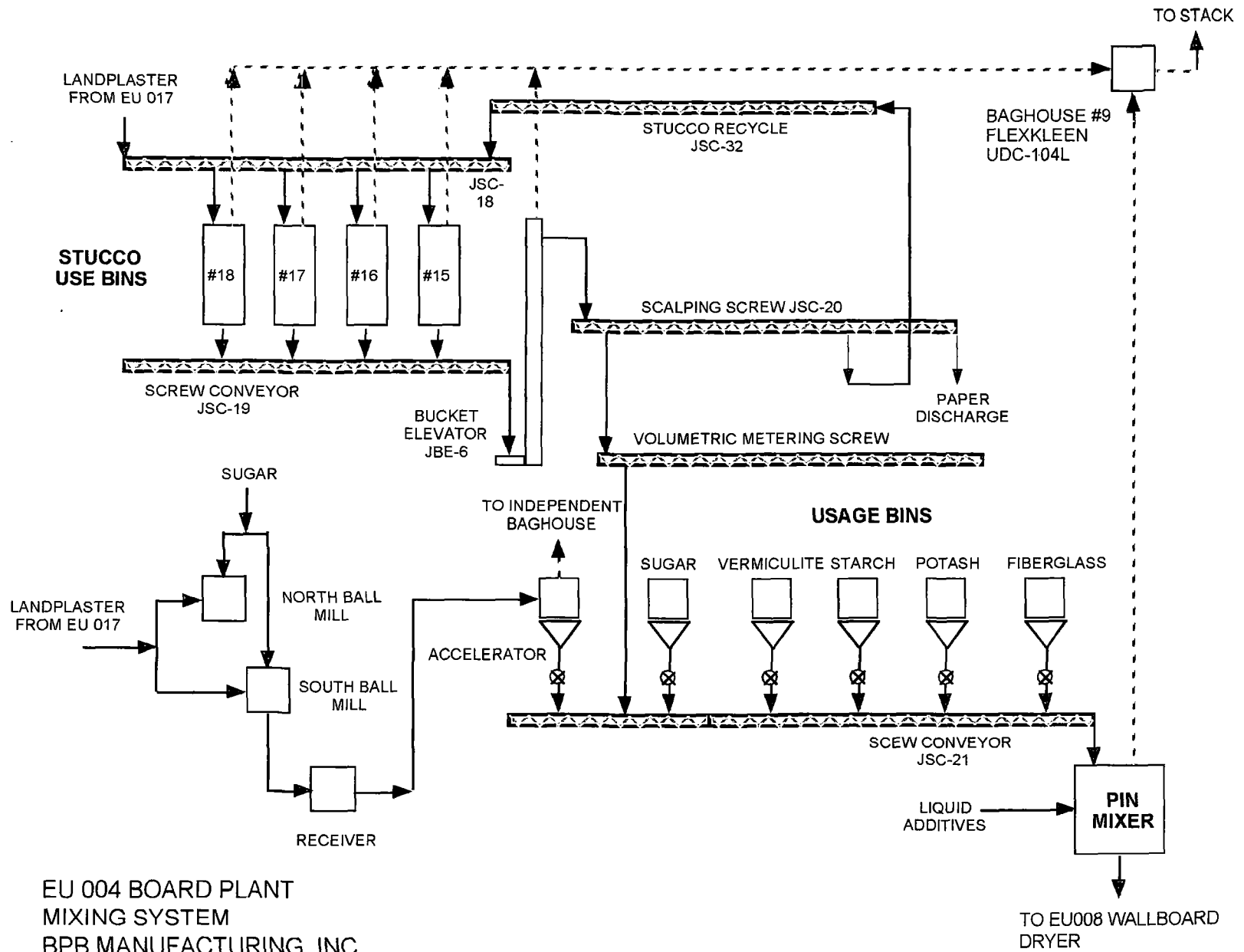
EU 003 LANDPLASTER
PRODUCTION SYSTEM
BPB MANUFACTURING, INC.



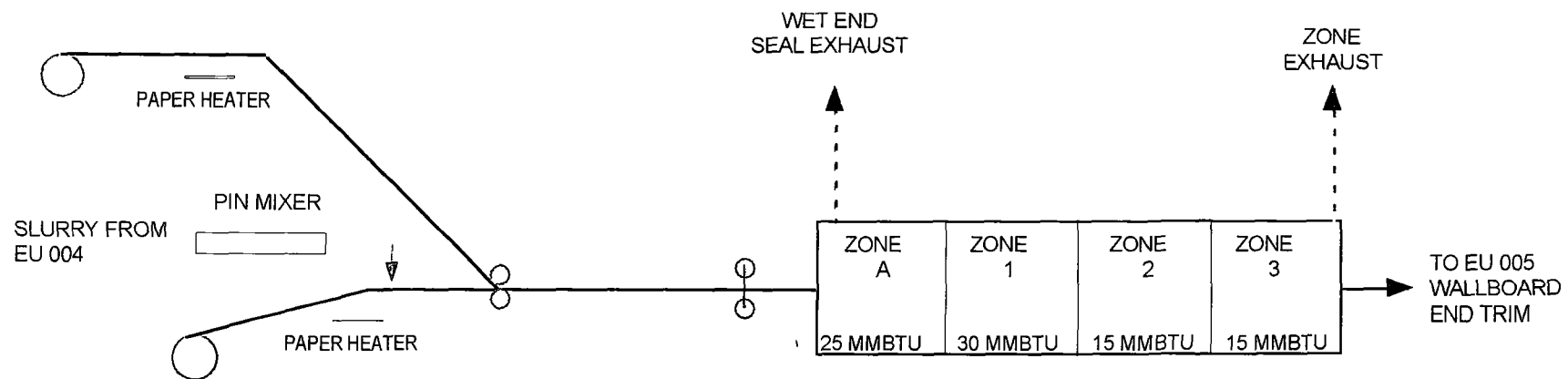
EU 007 CALCINING KETTLE
 BURNERS
 BPB MANUFACTURING, INC.



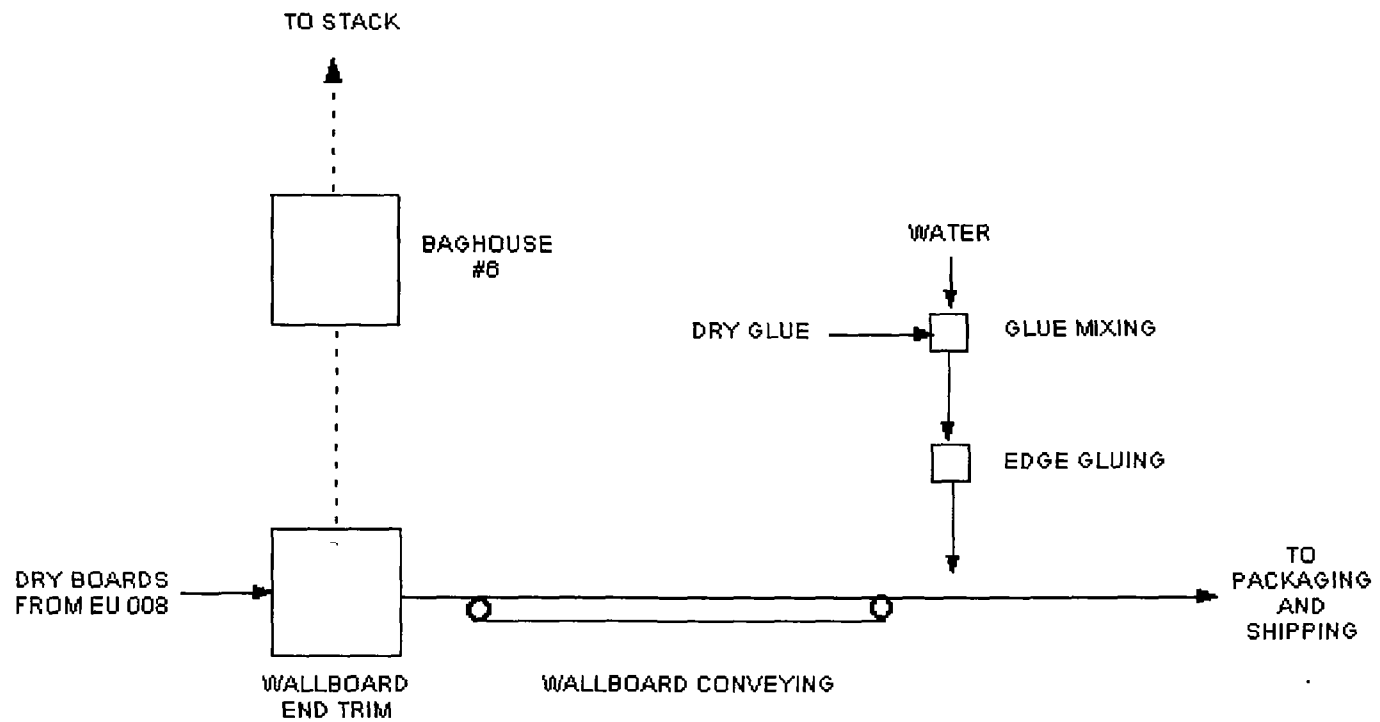
EU 017 STUCCO PRODUCTION
BPB MANUFACTURING, INC.



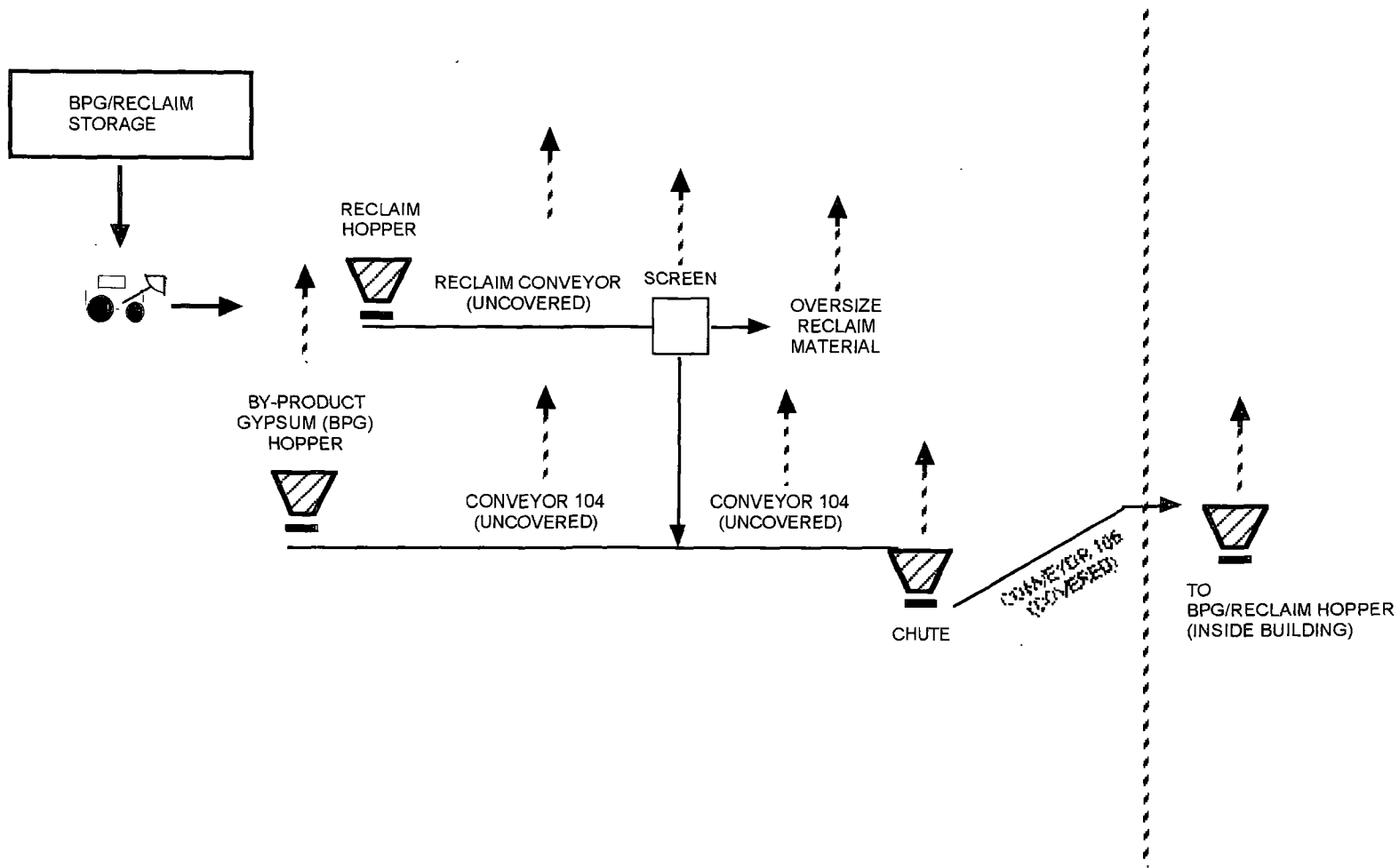
EU 004 BOARD PLANT
 MIXING SYSTEM
 BPB MANUFACTURING, INC



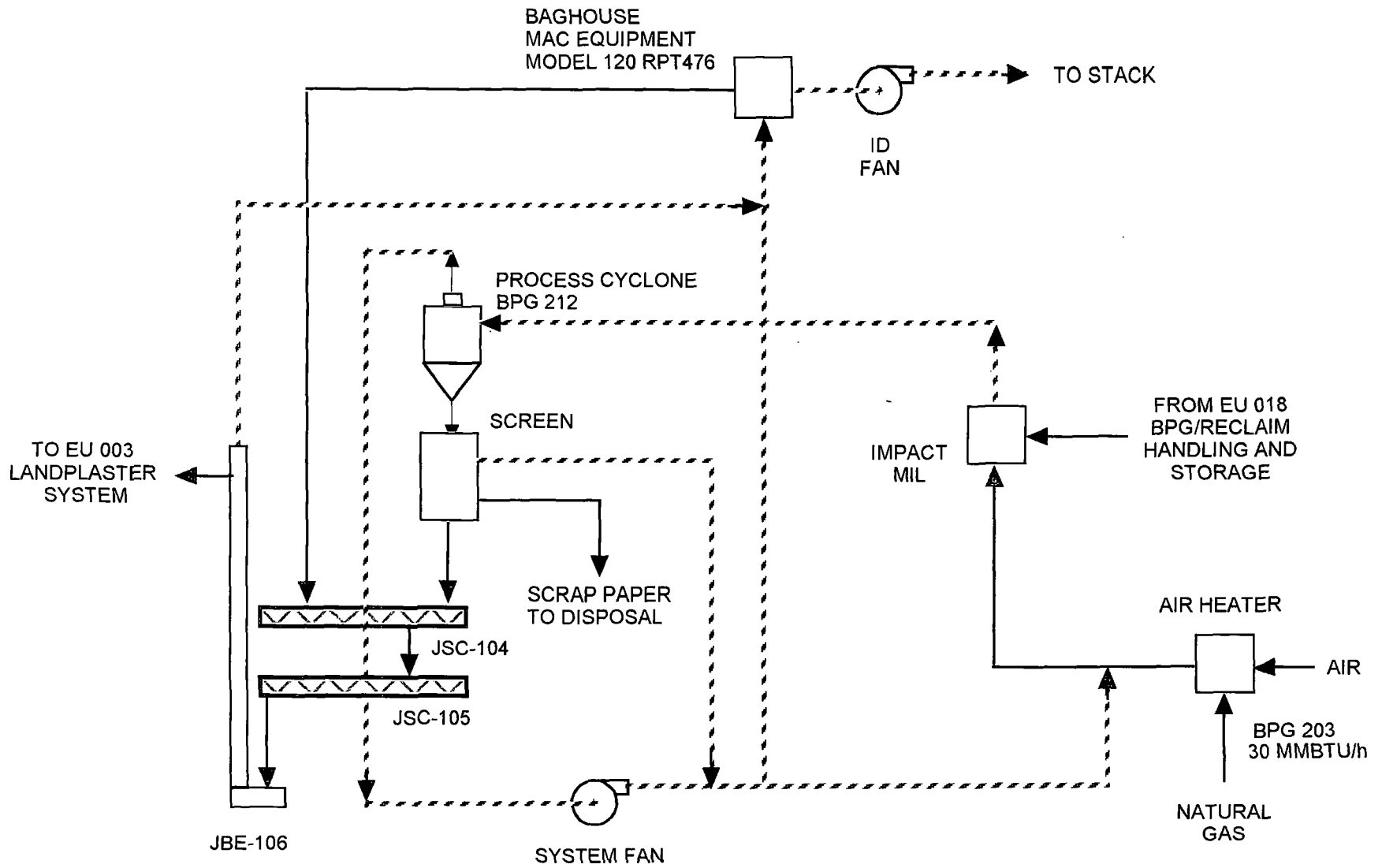
EU 008 WALLBOARD DRYER
BPB MANUFACTURING, INC.



EU 005 WALBOARD
END TRIM SYSTEM
BPB MANUFACTURING, INC.



EU 018 BY PRODUCT GYPSUM (BPG)/
 RECLAIM PROCESSING
 BPB MANUFACTURING, INC.



EU 016 BY-PRODUCT GYPSUM (BPG) AND RECLAIM DRYING AND MILLING
 BPB MANUFACTURING, INC.

Attachment B
Precautions to Prevent Emissions of Unconfined Particulate Matter

CONTROL OF FUGITIVE DUST EMISSIONS

Prevention

Fugitive dust control strategies are composed of a balance of available dust mitigation techniques applied on an as needed basis to:

- prevent dust from exiting the property,
- prevent visible emissions from exceeding opacity regulations, and
- prevent public nuisance.

Onsite piles or other stockpiled material matter should be observed for dusting events and water applied when needed to reduce wind blown dust emissions.

All transfer processes involving a free fall particulate matter shall be operated in such a manner as to minimize the free fall distance and fugitive dust emissions.

Paved streets shall be swept as needed (water sweeper; wet broom).

Reduce traffic speeds on all unpaved surfaces to 15 miles per hour or less and reduce unnecessary vehicle traffic by restricting access. Provide appropriate training, onsite enforcement, and signage.

Attachment C
VOC and HAP Emission Calculations (Revised)

CertainTeed Gypsum and Ceiling Manufacturing, Inc.
 Facility Emissions v2.xls
 Emissions by Unit

90

Unit ID	Unit Description	Rate (tph)	Operation (hr)	Flow (cfm)	Factor (gr/cf)	TSP/PM ₁₀ (lb/hr)	(tpy)
001	Gypsum Ore Crushing System, Conveyors	75	5,824	14,600	0.04	5.00	14.56
003	Landplaster Production System w/Flash Dryer	50[A]	8,760	13,250	0.04	4.54	19.89
004	Board Plant Mixing System	40[B]	8,760	11,400	0.03	2.93	12.83
005	Wallboard End Trim System	[C]	8,760	11,200	0.04	3.84	16.82
016	BPG/Reclaim Drying, Milling[D]	40	8,760	23,100	0.022	4.35	19.05
016	BPG/Reclaim Drying, Milling[E]	40	8,760	1,600	0.022	0.30	1.31
017	Stucco Production System	38	8,760	11,300	0.040	3.87	16.95
018	BPG/Reclaim Handling, Storage[F][G]	40	8,760	N/A	0.015	0.60	2.63
019	Gypsum Rock Unloading, Conveying, Storage[H]	333	8,760	N/A	0.0024	0.80	3.50

- A. Throughput values vary in terms of individual units that comprise is EU. See EU003, Condition 3 in current permit.
 B. Throughput values vary in terms of individual units that comprise is EU. See EU004, Condition 2 in current permit.
 C. 48,000 square feet per hour and 420 million square feet per year.
 D. Main dust collector.
 E. Secondary dust collector.
 F. Reclaim gypsum limited to 11.25 tph. BPG alone or combined with reclaim limited to 40 tph.
 G. AP-42 Table 11.19.2-2 (Fines Crushing, Uncontrolled).
 H. AP-42 Table 11.19.2-2 (Tertiary Crushing, Uncontrolled).

Table 2. Combustion Emissions.

Unit ID	Unit Description	Rate (MMBtu/hr)	Operation (hr)	TSP/PM ₁₀ (lb/hr)	(tpy)	CO (lb/hr)	(tpy)	SO ₂ (lb/hr)	(tpy)	NO _x (lb/hr)	(tpy)	VOC (lb/hr)	(tpy)
003	Flash Dryer (Landplaster Production System)	10	8,760	--[A]	--[A]	0.84	3.68	0.01	0.03	1.00	4.38	0.06	0.24
007	Calcining Kettle Burners 1, 2, and 3[B]	42	8,760	0.32	1.40	11.2	48.9	0.03	0.11	6.68	29.2	0.23	1.01
008	Wallboard Dryer[C]	85	8,760	0.65	2.83	18.0	78.9	0.05	0.22	8.50	37.2	0.47	2.05
016	BPG/Reclaim Drying and Milling	30	8,760	--[A]	--[A]	2.52	11.0	0.02	0.08	3.00	13.1	0.17	0.72

- A. TSP/PM10 emissions accounted for in baghouse calculations in Table 1.
 B. Total heat input for all kettle burners combined.
 C. Total heat input for all burner zones combined.

Table 3. Miscellaneous VOC Emissions.

Unit ID	Unit Description	VOC (wt%)	HAP (wt%)	Usage (ton/yr)	VOC (tpy)	HAP (tpy)
008	Wallboard Dryer - Retardent[A]	0.09%	0.09%	1,470	1.32	1.32
008	Wallboard Dryer - Soap[B]	16%	N/A	210	33.6	--
N/A	Edge Glue[C]	0.1%	N/A	252	0.25	--
N/A	Inks[D]	25%	N/A	4.83	1.21	--

- A. Dilofo GW. Annual usage based on 7 pounds per MSF and 420,000 MSF potential production. HAP = formaldehyde.
 B. Cedepal FA-406. Annual usage based on 1 pounds per MSF and 420,000 MSF potential production.
 C. PVA3. Annual usage based on 1.2 pounds per MSF and 420,000 MSF potential production. Assumed 0.1 wt% VOC.
 D. TWP-GB Black. Annual usage based on 0.023 pounds per MSF and 420,000 MSF potential production.

Table 4. Facility Totals.

Pollutant	PTE
TSP/PM ₁₀	112 tpy
CO	143 tpy
SO ₂	0.44 tpy
NO _x	84.0 tpy
VOC	40.4 tpy
HAP	1.32 tpy

Attachment D
Material Safety Data Sheets



G E O
SPECIALTY CHEMICALS

MATERIAL SAFETY DATA SHEET

1. CHEMICAL PRODUCT AND COMPANY IDENTIFICATION

PRODUCT NAME: DILOFLO® GW
SYNONYMS: Sulfonated Naphthalene Condensate, Sodium Salt

SUPPLIER: GEO Specialty Chemicals, Inc.
 701 Wissahickon Avenue
 Cedartown, GA 30125

NFPA Rating: Health: 1 Flammability: 1 Reactivity: 0
HMIS Classification: Health: 1 Flammability: 1 Reactivity: 0

EMERGENCY TELEPHONE: CHEMTREC: (800) 424-9300
 Outside USA - (703) 527-3887 collect calls accepted

EMERGENCY OVERVIEW:

Clear dark amber liquid. Bland odor. May cause mild skin, eye, and respiratory tract irritation.

2. COMPOSITION/INFORMATION ON INGREDIENTS

Ingredient / CAS No.	Weight %	OSHA - PEL's	ACGIH 2002 - TLV's
Water 7732-18-5	59	None Established.	None Established.
Sodium Sulfate 7757-82-6	7.5	None Established.	None Established.
Naphthalenesulfonic acid, formaldehyde polymer, sodium salt 9084-06-4	33.5	None Established.	None Established.
Formaldehyde 50-00-0	<0.09%	0.75 ppm TWA PEL; 2 ppm STEL; 0.5 ppm TWA action level; Irritant and potential cancer hazard (29 CFR 1910.1048)	0.3 ppm Ceiling Sensitizer

3. HAZARDS IDENTIFICATION

Hazard Information: May cause eye, skin and respiratory tract irritation.
Eye Contact: May cause transient eye irritation.
Inhalation: Not considered hazardous under normal conditions of use. Exposure to mist or spray may cause irritation of respiratory passages.
Skin Contact: Possible mild transient skin irritation on prolonged contact.
Ingestion: Considered slightly toxic.
Aggravated Conditions: None known.

4. FIRST AID MEASURES

Inhalation: If inhaled, remove to fresh air. If not breathing give artificial respiration, preferably mouth-to-mouth. If breathing is difficult give oxygen. Get medical attention.

Skin Contact: Immediately flush skin with plenty of soap and water for at least 15 minutes. Remove contaminated clothing and footwear. Wash contaminated clothing before reuse. Get medical attention if irritation develops.

Eye Contact: Remove contact lenses. Immediately flush with plenty of water for at least 15 minutes, holding eyelids apart to ensure flushing of the entire surface. Washing within one minute is essential to achieve maximum effectiveness. Seek medical attention.

Ingestion: Do not induce vomiting. If vomiting should occur spontaneously, keep the airway clear. Get medical attention. Never give anything by mouth to an unconscious person.

Notes To Physician: None

5. FIRE FIGHTING MEASURES

Flash Point (°F/°C)	>212°F/100°C
Flash Point Method:	PMCC
Autoignition Temp. (°F):	Not Determined
Flammable Limits in Air - Lower (%):	Not Determined
Flammable Limits in Air - Upper (%):	Not Determined
Extinguishing Media:	Water Spray, Carbon Dioxide, Foam, Dry Chemical.
Fire Fighting Procedures:	Cool exposed containers with water spray after extinguishing fire.
Special Exposure Hazards:	Use water spray to cool fire exposed surfaces.
Special Protective Equipment:	Fire fighters should wear full protective clothing, including self-contained breathing equipment.

6. ACCIDENTAL RELEASE MEASURES

Procedure for Cleaning/Absorption: Stop leaks. Clean up spill immediately. Clean up large spills with vacuum truck. Soak up small spills with inert absorbent material. Shovel into labeled waste container for disposal. Spills of solution are extremely slippery so all residue must be removed promptly. Wear adequate personal protective clothing and equipment. Ventilate area of leak or spill. Do not permit run-off to get into sewers or surface waterways.

7. HANDLING AND STORAGE

PRECAUTIONARY STATEMENTS:	<p>CAUTION! MAY CAUSE MILD SKIN, EYE, AND RESPIRATORY TRACT IRRITATION. Avoid contact with eyes, skin and clothing. Avoid breathing mist or spray. Wear chemical splash goggles, gloves and protective clothing where mist or spray may be generated. Wash thoroughly after handling. Do not take internally. For industrial use only!</p>
Handling:	Keep container closed when not in use.
Storage:	Keep from freezing. Protect in transit. Store in a warm place. Do not store below 40°F (5°C). Product may congeal or stratify if cold. Warm to 122° F (50° C) and mix well before using.

8. EXPOSURE CONTROLS/PERSONAL PROTECTION

Engineering Controls: Local exhaust ventilation as necessary to maintain exposures to within applicable

limits. Please refer to the ACGIH document, "Industrial Ventilation, A Manual of Recommended Practices", most recent edition, for details.

Respiratory Protection: NIOSH/MSHA approved respirator if necessary. Follow manufacturer's recommendations.

Gloves: Appropriate chemical resistant gloves should be worn.

Skin Protection: Normal work coveralls.

Eye Protection: Chemical goggles or a face shield if splashing hazard exists.

Other Personal Protection Data: Standard work clothing and work shoes. Eyewash fountains and safety showers must be easily accessible.

9. PHYSICAL AND CHEMICAL PROPERTIES

Physical State:	LIQUID
Color:	CLEAR DARK AMBER
Odor:	BLAND
pH:	9.0 - 10.5 (As Is)
Specific Gravity	1.2 typical
Density @ 20° C:	10 lb/gal typical
Boiling Point (°F/°C):	Not Determined
Melting Point Range (°F/°C):	Not Applicable
Freezing Point/Range (°F/°C):	Not Determined
Vapor Pressure:	Not Determined
Vapor Density (Air=1):	Not Determined
% Volatile by Volume:	ca 58% (w/w) moisture
Evaporation Rate (BuAc=1):	Not Determined
Solubility in Water Description:	Clear and soluble in any dilution
VOCs (lbs/gallon):	Not Determined
Viscosity, Dynamic (Centipoise) @ 20° C:	30 - 100 cps (Brookfield, #1, 30 rpm, 25°C)
Molecular Weight:	Not Applicable

10. STABILITY AND REACTIVITY

Chemical Stability:	Stable under normal conditions of handling, use and transportation.
Conditions to Avoid:	None
Materials to Avoid:	Contact with oxidizing agents.
Hazardous Decomposition Products:	Carbon Monoxide and Carbon Dioxide. Oxides of sulfur.
Hazardous Polymerization:	Not anticipated under normal or recommended handling and storage conditions.
Additional Guidelines:	None.

11. TOXICOLOGICAL INFORMATION

PRINCIPAL ROUTES OF EXPOSURE: Skin, eyes and respiratory tract.

Ingestion: Considered slightly toxic.

Skin Contact: Possible mild transient skin irritation on prolonged contact.

Inhalation: Not considered hazardous under normal conditions of use. Exposure to mist or spray may cause irritation of respiratory passages.

Eye Contact: May cause transient eye irritation.

Carcinogenicity Status:
(Chemical Name, Wt. %, CAS No.)

Water 59 7732-18-5
IARC Group 1, Group 2A or Group 2B Carcinogen: Not Listed
National Toxicology Program Known or Suspect Carcinogen: Not Listed
ACGIH Confirmed or Suspected Carcinogen: Not Listed
OSHA Select or Possible Select Carcinogen: Not Listed

Sodium Sulfate 7.5 7757-82-6
IARC Group 1, Group 2A or Group 2B Carcinogen: Not Listed
National Toxicology Program Known or Suspect Carcinogen: Not Listed
ACGIH Confirmed or Suspected Carcinogen: Not Listed
OSHA Select or Possible Select Carcinogen: Not Listed

Naphthalenesulfonic acid, formaldehyde polymer, sodium salt 33.5 9084-06-4
IARC Group 1, Group 2A or Group 2B Carcinogen: Not Listed
National Toxicology Program Known or Suspect Carcinogen: Not Listed
ACGIH Confirmed or Suspected Carcinogen: Not Listed
OSHA Select or Possible Select Carcinogen: Not Listed

Formaldehyde <0.09% 50-00-0
IARC Group 1, Group 2A or Group 2B Carcinogen: Listed
National Toxicology Program Known or Suspect Carcinogen: Listed
ACGIH Confirmed or Suspected Carcinogen: Listed
OSHA Select or Possible Select Carcinogen: Listed

Acute Oral LD50 (mg/kg): 3800 mg/kg (rats)
3400 mg/kg (mouse)
Acute Dermal LD50 (mg/kg): Not Determined
Acute Inhalation LC50 (mg/l): Not Determined
Mutagenicity/Genotoxicity: No mutagenicity or genotoxicity studies have been carried out with this product.
Other Information: This product may contain trace amounts of formaldehyde. Formaldehyde causes nasopharyngeal cancer in humans. Exposure to formaldehyde can cause severe irritation to the skin, eyes, throat and respiratory tract. Formaldehyde is a sensitizer that can cause allergic reaction in people previously exposed.

12. ECOLOGICAL INFORMATION

Mobility: Not Determined
Persistence: Not Determined
Bioaccumulative: Not Determined
Ecotoxicological Information:
Acute Fish Toxicity: Not Determined
Acute Crustaceans Toxicity: Not Determined
Acute Algae Toxicity: Not Determined
Chemical Fate Information: Not Determined
Other Information: No ecological studies have been carried out on this product.

13. DISPOSAL CONSIDERATIONS

Waste Disposal Method:
Dispose of product in an approved chemical waste landfill or incinerate in accordance with applicable Federal, state and local regulations. Avoid landfilling liquids. Since the emptied container retains product residue, all labeled hazard precautions must be observed.

RCRA
Is the unused product a RCRA hazardous waste if discarded? (Yes/No) No
If yes, the EPA Hazardous Waste Code is: N/A

14. TRANSPORTATION INFORMATION

DOT:
 DOT Status: NOT HAZARDOUS. NOT REGULATED.
 Harmonized Tariff Number: 3911.90.9010
ICAO/IATA:
 Status: NOT REGULATED.
IMDG:
 Status: NOT REGULATED.
 Flash Point (°F/°C) >212°F/100°C

15. REGULATORY INFORMATION

International Inventories:

USA TSCA Inventory Status: All of the components of this product are listed on the US EPA TSCA Inventory, or exempt from listing.
Canadian DSL: All of the components of this product are listed on the Canadian Domestic Substances List.
Canadian NDSL: Some of the components of this product are not found on the Canadian Non-Domestic Substances List.
European - EINECS: All of the components of this product are listed on EINECS, or exempt from notification.
European - ELINCS: All of the components of this product are not listed on ELINCS.
EU - No-Longer Polymers List: None of the components of this product are listed on the EUNLP.
Japanese Chemical Inventory: All of the components of this product are listed on the JPENCS Inventory.
Philippines Chemical Inventory: All of the components of this product are found on the Philippines Inventory.
Australian Chemical Inventory: All of the components of this product are listed on the Australian Chemical Inventory.
Korean Chemical Inventory: All of the components of this product are found on the Korean Existing Chemical Substances List.

State and Federal Regulations: (Chemical Name, Wt. %, CAS No.)

Sodium Sulfate 7.5 7757-82-6
 Pennsylvania Right to Know List: Listed
 Massachusetts Right to Know Law: Listed

Formaldehyde <0.09% 50-00-0
 CERCLA/SARA Hazardous Substance RQ: final RQ = 100 pounds (45.4 kg)final RQ = 10 pounds (4.54 kg)
 CERCLA/SARA - 302 Ext. Haz. Substances: Listed
 SARA Section 313 Emissions Reporting: Listed
 CAA - Hazardous Air Pollutants: Listed
 New Jersey Right-to-Know List: Listed
 Florida Substance List: Listed
 Pennsylvania Right to Know List: Listed
 Massachusetts Right to Know Law: Listed
 Minnesota Hazardous Substance List: Listed
 Rhode Island Hazardous Substance List: Listed
 California Proposition 65: Listed

 New Jersey Trade Secret Registry Number(s): N/A
 SARA Section 311/ 312 Hazard Class: This product is classified as a SARA ACUTE HEALTH HAZARD.
Other Information: This product does not contain any ingredients subject to the reporting requirements of SARA Title III, Section 313 (40 CFR Part 372).

16. OTHER INFORMATION

Prepared / Edited By: Peter R. Dluzeski - Manager of Technology

Telephone Number: (267) 960-7926 (USA)

Reference Number: 1987Z PRD

Revision Date: 02/18/2005

Additional Information: None.

Important Note: The information provided in this Safety Data Sheet is correct to the best of our knowledge, information and belief at the date of its publication. The information given is designed only as a guidance for safe handling, use, processing, storage, transportation, disposal and release and is not to be considered a warranty or quality specification. The information relates only to the specific material designated and may not be valid for such material used in combination with any other materials or in any process, unless specified in the text.

*****END OF MSDS*****

MATERIAL SAFETY DATA SHEET



1 CHEMICAL PRODUCT & COMPANY IDENTIFICATION

Trade Name **CEDEPAL FA-406**
Manufacturer Stepan Canada Inc.
3800 Longford Mills Road
Longford Mills, ON L0K 1L0 Canada

Telephone Numbers - 24 Hour Emergency Assistance
Emergency (Canada) 705-327-3927
Medical (US) 800-228-5635
Chemtrec 800-424-9300

Telephone Numbers - General Assistance
General (Canada) 705-326-7329
General (US) 847-446-7500

Product Class Alcohol ethoxy sulfate
Product Number 0938

2 COMPOSITION / INFORMATION ON INGREDIENTS

Ingredient Name	CAS Number	Percent
Ammonium Alcohol Ether Sulfate (C8-10)	68891-29-2	57 - 60 %
Ethanol	64-17-5	13 - 16 %

3 HAZARDS IDENTIFICATION

Emergency Overview

Clear liquid, yellow color. Alcohol-like odor.

Warning! Flammable

May cause moderate to severe irritation to the eyes, skin, respiratory and gastrointestinal systems.

Health Effects: Eyes

Causes moderate eye irritation.

Health Effects: Skin

May cause moderate to severe irritation to the skin.

Health Effects: Inhalation

Inhalation of vapors or mists of the product may be irritating to the respiratory system. Excessive inhalation of this material causes headache, dizziness, nausea and loss of motor skills.

Health Effects: Ingestion

Ingestion of large amounts may produce gastrointestinal disturbances including irritation, nausea, and diarrhea.

4 FIRST AID MEASURES

Eyes

Immediately flush eyes with water for at least 15 minutes while holding eyelids open. If irritation persists get medical attention.

Skin

For skin contact flush with large amounts of water. If irritation persists, get medical attention. Immediately take off all contaminated clothing. Wash contaminated clothing before reuse.

Inhalation

If symptoms are experienced, remove source of contamination or move victim to fresh air. If symptoms persist, get medical attention. If the affected person is not breathing, apply artificial respiration. If breathing is difficult, give oxygen. Seek medical attention.

Ingestion

If the material is swallowed, get immediate medical attention or advice. Do not induce vomiting.

5 FIRE FIGHTING MEASURES

Flash Point (27.8 °C), 82 F PMCC

OSHA Flammability Classification Flammable IC

Fire and Explosion Hazards

Product contains a flammable solvent. Vapors may be released that travel long distances, ignite and flash back.

Extinguishing Media

Dry chemical, foam, carbon dioxide, water fog.

Fire Fighting Equipment / Instructions

Firefighters should wear full fire-fighting turn-out gear (full Bunker gear) including NIOSH-approved self-contained breathing apparatus with full facepiece operated in the pressure demand or other positive pressure mode.

6 ACCIDENTAL RELEASE MEASURES

SPILL AND LEAK PROCEDURES

Emergency Action:

Isolate spill or leak area immediately. Keep unauthorized personnel away. Stay upwind. Keep out of low areas. Ventilate closed spaces before entering.

Eliminate all ignition sources (no smoking, flares, sparks or flames in immediate area). Wear appropriate personal protective equipment during cleanup. Do not touch or walk through spilled material. Small Spills: Absorb or cover with dry earth, sand or other non-combustible material and transfer to containers. Use clean non-sparking tools to collect absorbed material. Large Spills: Dike ahead of liquid spill for later disposal. Prevent entry into waterways, sewers, basements or confined areas.

Surfaces may become slippery after spillage.

7 HANDLING & STORAGE

Handling Procedures

Avoid contact with skin and eyes. Wash thoroughly after handling. As with all chemicals, good industrial hygiene practices should be followed when handling this material.

Storage Procedures

Keep this material in a cool, well-ventilated place. Do not handle or store near an open flame, heat or other sources of ignition. Prevent electrostatic charge buildup by using common bonding and grounding techniques.

8 EXPOSURE CONTROLS / PERSONAL PROTECTION

Engineering Controls

Provide adequate local exhaust ventilation to maintain worker exposure below exposure limits. Local exhaust is suggested for use, where possible, in enclosed or confined spaces.

Personal Protective Equipment: Eyes/Face

Wear chemical goggles; face shield (if splashing is possible).

Personal Protective Equipment: Skin

Personal Protective Equipment: Respiratory

If vapors are present or irritation is experienced, NIOSH approved respiratory protection for organic vapors

Personal Protective Equipment: General

Ethanol

64-17-5

ACGIH - Occupational Exposure Limits - TWAs	1000 ppm TWA
Mexico - Occupational Exposure Limits - TWAs	1000 ppm TWA; 1900 mg/m3 TWA
NIOSH - Health Standards - Exposure Limits	1000 ppm TWA; 1900 mg/m3 TWA
NIOSH - Health Standards - Health Effects and Precautions	Eye, respiratory, and skin irritation; teratogenic and reproductive effects
NIOSH - Pocket Guide - IDLHs (Immediately Dangerous to Life or Health)	3300 ppm IDLH
NIOSH - Pocket Guide - Target Organs	respiratory system, skin, eyes, CNS, liver, blood, reproductive system
NIOSH - Pocket Guide - TWAs	1000 ppm TWA; 1900 mg/m3 TWA
OSHA - Final PELs - Time Weighted Averages (TWAs)	1000 ppm TWA; 1900 mg/m3 TWA

9 PHYSICAL & CHEMICAL PROPERTIES

Flash Point	(27.8 °C), 82 F PMCC
Boiling Point	(> 212 °F), > 100 C
Specific Gravity	(8.57 lb/gal), 1.03 g/ml @ 25 C
Percent Volatile	42 - 45 % (w/w)
Vapor Pressure	5.87 kPa @ 20 C (due to Ethanol)
Vapor Density	1.6 (Air = 1; due to Ethanol)
Viscosity	20 cps @ 25 c
Evaporation Rate	1.7 (Butyl acetate = 1; due to Ethanol)
Solubility in Water	Complete
RVOC	13 - 16 % (Ethanol)
Pour Point	-25 c
pH Value	7 - 7.5 (10% in H2O)
Freezing Point	(-18.4 °F), -28 C

Appearance and Odor

Clear liquid, yellow color. Alcohol-like odor.

10 STABILITY & REACTIVITY

Chemical Stability

Stable under normal conditions.

Incompatibility

This product may react with strong acids or oxidizing agents. This product may react with strong alkalies.

Hazardous Decomposition

Upon decomposition, this product may yield oxides of nitrogen and ammonia. Upon decomposition, this product may yield sulfur dioxide and oxides of sulfur. Decomposition may yield hydrogen sulfide.
WARNING! 800 ppm of hydrogen sulfide liberated by thermal decomposition can be fatal in 30 minutes.

Hazardous Polymerization

Will not occur.

11 TOXICOLOGICAL INFORMATION

Mutagenicity

Ethyl alcohol is responsible for fetal alcohol syndrome which includes a number of teratogenic results: spontaneous abortions, birth defects and developmental problems.

Other Toxicological Information

Note: this product may contain 1,4-dioxane as a by-product, which can be absorbed by inhalation and through the skin. Please be advised that 1,4-dioxane is a cancer-suspect agent and can cause liver and kidney injury with over-exposure.

LD50 Value

Oral LD50 (rat) = >5000 - 15,000 mg/kg

_Ethanol **64-17-5**

ACGIH - Occupational Exposure Limits - Carcinogens

A4 - Not Classifiable as a Human Carcinogen

Mexico - Occupational Exposure Limits - Carcinogens

A4 - Not classifiable as a human carcinogen

NIOSH - Selected LD50s and LC50s

Inhalation LC50 Rat: 20000 mg/kg/10H; Inhalation LC50 Mouse: 39 g/m³/4H; Oral LD50 Rat: 7060 mg/kg; Oral LD50 Mouse: 3450 mg/kg

12 ECOLOGICAL INFORMATION

Ecotoxicity

Aquatic LC50 = >1.0-10 mg/L

Information available upon request. Please contact Stepan Technical Service Department.

Environmental Fate

This product class is readily biodegradable.

13 DISPOSAL CONSIDERATIONS

Disposal Instructions

Treatment, storage, transportation and disposal must be in accordance with applicable Federal, State/Provincial and Local regulations. Regulations may vary in different locations. Characterization and compliance with applicable laws are the responsibility solely of the generator.

14 TRANSPORT INFORMATION

DOT Proper Shipping Name Refer to bill of lading or container label for DOT or other transportation hazard classification, if any.

15 REGULATORY INFORMATION

U.S. Federal Regulations

<u>Ingredient Name</u>	<u>CAS Number</u>	<u>Percent</u>
Ammonium Alcohol Ether Sulfate (C8-10)	68891-29-2	57 - 60 %
_Ethanol	64-17-5	13 - 16 %
California - Proposition 65 - Developmental Toxicity	developmental toxicity, initial date 10/1/87 (when in alcoholic beverages)	
_1,4-Dioxane	123-91-1	< 999 ppm
California - Proposition 65 - Carcinogens List	carcinogen, initial date 1/1/88	
California - Proposition 65 - No Significant Risk Levels (NSRL)	30 µg/day NSRL	

State Regulations

This product may contain the following ingredient(s) known to the State of California to cause cancer, birth defects or other reproductive harm: 1,4-Dioxane (CAS RN: 123-91-1)

Canada_WHMIS

Class B, Division 2

D2B

Inventories

All components of this product are listed on the following inventories: U.S.A.(TSCA), Canada(DSL), Europe(EINECS/ELINCS/Polymer/NLP), Japan(ENCS), Australia(AICS), Philippines(PICCS)

There is no calculable reportable quantity (RQ) for this product.

16 OTHER INFORMATION

Disclaimer

Disclaimer: Nothing contained herein grants or extends a license, express or implied, in connection with patents, issued or pending, of the manufacturer or others. The information contained herein is based on the manufacturer's own study and the works of others. The manufacturer makes no warranties, expressed or implied, as to the accuracy, completeness, or adequacy of the information contained herein. The manufacturer shall not be held liable (regardless of fault) to the vendee's employees, or anyone for any direct, special or consequential damages arising out of or in connection with the accuracy, completeness, adequacy or furnishing of such information.

HAZARD RATINGS	HMIS	NFPA
Health	2	2
Flammability	3	3
Reactivity	0	0
PPE	X	

Completed On 12/19/05 **Replaces Sheet Dated** 08/25/2005
Completed By Product Safety & Compliance

MATERIAL SAFETY DATA SHEET

Specialty Adhesives, Inc.
3777 Air Park
Memphis, TN 38118

Date: 2010
prepared by: Mark Cox
Telephone number: (901)794-8556

Emergency Medical Telephone Number: (901)794-8556

PRODUCT IDENTIFICATION

Specialty Adhesives Name: PVA 3, PVA 3 Bio
Product Class: Synthetic Resin based in water
DOT Proper Shipping name: none DOT regulated

WARNING STATEMENTS: No specific warnings under normal use.
PRECAUTIONARY MEASURES Avoid temperature extremes during storage

EMERGENCY AND FIRST AID PROCEDURES

First Aid:

If in eye:	Flush immediately with water for 15 minutes. Consult a physician if irritation persists.
If on skin:	No hazard under normal industrial use.
If vapors inhaled:	No hazard under normal industrial use.
In case of fire:	Product non-flammable in liquid state. Use water spray, foam, dry chemical or carbon dioxide on dried product.
Spill or Leak:	Contain and remove with inert absorbent. Keep spill out of sewers.

HAZARDOUS INGREDIENTS

Material Name/ CAS #	Level in product	OSHA PEL	ACGIH TLV
----------------------	------------------	----------	-----------

None present.

This MSDS is prepared to comply with the OSHA Hazard Communication Standard (29 CFR 1919.1200). Unlisted ingredients are not "Hazardous" per this OSHA Standard and are considered to be trade secrets of Specialty Adhesives, INC.

NE -not established
NA -not applicable

OCCUPATIONAL CONTROL PROCEDURES

Eye Protection: Wear safety glasses to reduce the potential for eye contact; chemical safety goggles are appropriate if splashing is likely. Have eye washes available where eye contact can occur.

Skin Protection: No hazard under normal use.

Respiratory Protection: not normally required.

Ventilation: Standard industrial ventilation.

FIRE PROTECTION

Flash Point/Method: Non-flammable

Appropriate Extinguishers: Non-flammable in liquid state; use water spray, foam, dry chemical or carbon dioxide on dried product.

Special Fire Fighting Procedures: Persons exposed to products of combustion should wear self-contained breathing apparatus and full protective equipment.

Unusual Fire and Explosion Hazards: There is the possibility of pressure buildup in closed containers when heated. Water spray may be used to cool the containers.

REACTIVITY DATA

Stability: Stable

Incompatibility: not established

Hazardous Decomposed Products: Incomplete combustion can yield low molecular wt. hydrocarbons, carbon monoxide

Hazardous Polymerization: will not occur.

EFFECTS OF OVEREXPOSURE

Eyes: Direct eye contact with the product may cause irritation.

Skin: No hazard under normal use.

Inhalation: No expected effects.

Chronic: No anticipated chronic effects.

Existing Health Conditions Affected by exposure: This product does not contain regulated levels of NTP, IARC, or OSHA listed carcinogens. No known effects on other illnesses.

NA - not applicable
NE- not established

PHYSICAL DATA

Physical State:	Liquid
Weight per Gallon:	9.2
Viscosity:	800 – 1200 cps.
% Solids by weight:	16- 19%
PH:	4.2- 4.9
Boiling Range:	> 200 F
Soluble in Water:	Miscible

SPILL, LEAK & DISPOSAL INFORMATION

Spill or Leak Procedures:	Dike if necessary, contain spill with inert absorbent and transfer to containers for disposal. Keep spilled product out of sewers, watersheds or water systems.
Waste Disposal:	To the best of our knowledge, this product does not meet the definition of hazardous waste under EPA Regulations 40 CFR 261. It does not contain any added raw materials with known levels of TCLP constituents as identified in section 261.24 of the above mentioned regulation. State or local regulations may apply if they are different from federal regulations. Check with local officials before disposal. Solidify and dispose of in an approved landfill.

STORAGE

Protect from freezing - product stability may be affected.

REGULATORY INFORMATION

TSCA

All components of this product are registered under the regulations of the Toxic Substance Control Act.

SARA TITLE III

Section 313:	This product does not contain regulated levels of any toxic chemical subject to the reporting requirements section 313 of Title III of the Superfund Amendments and Reauthorization Act of 1986 (SARA) and 40 CFR part 372.
--------------	---

This information must be included in all MSDS that are copied and distributed for this material.

NA- not applicable
NE- not established

1 Identification of substance:

- **Product details:**
- **Trade name: TWP-GB Black Ink**
- **Product number:**
1301-332SC
2600-323SC
2600-947SC
- **Application of the substance / the preparation printing ink related material**
- **Manufacturer/Supplier:**
Diagraph MSP, an ITW Company
Marking & Stenciling Products Division
5307 Meadowland Parkway
Marion, IL 62959
- **Customer Sales & Service:**
800-521-3047 USA
618-997-3321
618-997-1766 Fax
- **email: msds@diagraphms.com**
- **Emergency information:**
Contact Infotrac: (800) 535 5053 (US only)
International: +1 352 323 3500

2 Composition/Data on components:

- **Chemical characterization**
- **Description: Mixture of the substances listed below with nonhazardous additions.**

· Dangerous components:		
111-46-6	Diethylene glycol	5-10%
	Dipropylene glycol n-butyl ether	0-5%

3 Hazards identification

- **Hazard description: not applicable**
- **Information pertaining to particular dangers for man and environment: not applicable**
- **Classification system**
The classification was made according to the latest editions of international substances lists, and expanded upon from company and literature data.
- **NFPA Ratings (scale 0-4)**



Health = 1
 Fire = 1
 Reactivity = 0

- **HMIS Rating (scale 0-4)**



Health - 1
 Flammability - 1
 Reactivity - 0

- **Routes of Entry Ingestion**
- **Target Organs None known**
- **Irritancy None known**
- **Sensitizing Capability None known**
- **Reproductive Effects None known**
- **Cancer Information Not known to be carcinogenic.**

Material Safety Data Sheet

acc. to ISO/DIS 11014

08/19/2005

Revision date: 08/19/2005

Trade name: **TWP-GB Black Ink**

(Contd. of page 1)

4 First aid measures

- **General information** No special measures required.
- **After inhalation** Supply fresh air; consult doctor in case of complaints.
- **After skin contact** Generally the product does not irritate the skin.
- **After eye contact** Rinse opened eye for 15 minutes under running water.
- **After swallowing**
Drink plenty of water. Induce vomiting, if person is conscious. Get immediate medical attention.

5 Fire fighting measures

- **Suitable extinguishing agents**
CO₂, extinguishing powder or water spray. Fight larger fires with water spray or alcohol resistant foam.
- **Protective equipment:** No special measures required.

6 Accidental release measures

- **Person-related safety precautions:** Not required.
- **Measures for environmental protection:**
Inform respective authorities in case of seepage into water course or sewage system.
Dilute with plenty of water.
- **Measures for cleaning/collecting:**
Absorb with liquid-binding material (sand, diatomite, acid binders, universal binders, sawdust).
- **Additional information:** No dangerous substances are released.

7 Handling and storage

- **Handling**
- **Information for safe handling:**
Wear chemical resistant goggles and gloves when handling.
Wash hands thoroughly after handling.
- **Information about protection against explosions and fires:** No special measures required.
- **Storage**
- **Requirements to be met by storerooms and receptacles:** No special requirements.
- **Information about storage in one common storage facility:** Not required.
- **Further information about storage conditions:** None.
- **Maximum storage temperature:** 120 F (49 C)
- **Minimum storage temperature:** 35 F (2 C)

8 Exposure controls and personal protection

- **Additional information about design of technical systems:** No further data; see item 7.
- **Components with limit values that require monitoring at the workplace:**
The product does not contain any relevant quantities of materials with critical values that have to be monitored at the workplace.
- **Personal protective equipment**
- **General protective and hygienic measures**
The usual precautionary measures for handling chemicals should be followed.
- **Breathing equipment:** Not required.
- **Protection of hands:**



Protective gloves.

- **Eye protection:** Safety glasses

USA

(Contd. on page 3)

Material Safety Data Sheet

acc. to ISO/DIS 11014

08/19/2005

Revision date: 08/19/2005

Trade name: **TWP-GB Black Ink**

(Contd. of page 2)

9 Physical and chemical properties:

· General Information

Form:	Liquid
Color:	Black
Odor:	Mild

· Change in condition

Melting point/Melting range:	undetermined
Boiling point/Boiling range:	100°C (212°F)

Flash point:	98°C (208°F)
---------------------	--------------

Ignition temperature:	225°C (437°F)
------------------------------	---------------

Auto igniting:	Product is not selfigniting.
-----------------------	------------------------------

Danger of explosion:	Product does not present an explosion hazard.
-----------------------------	---

· Explosion limits:

Lower:	0.9 Vol %
Upper:	53.0 Vol %

Vapor pressure at 20°C (68°F):	23 hPa (17 mm Hg)
---------------------------------------	-------------------

Density at 20°C (68°F):	1.02 g/cm ³
--------------------------------	------------------------

· Solubility in / Miscibility with

Water:	Fully miscible
---------------	----------------

pH-value at 20°C (68°F):	10.5
---------------------------------	------

· Solvent content:

Organic solvents:	10.8 %
Water:	78.5 %

Solids content:	5.0 %
------------------------	-------

10 Stability and reactivity

- **Thermal decomposition / conditions to be avoided:** No decomposition if used according to specifications.
- **Dangerous reactions** No dangerous reactions known
- **Dangerous products of decomposition:** No dangerous decomposition products known

11 Toxicological information

- **Acute toxicity:**
- **Primary irritant effect:**
- **on the skin:** No irritant effect.
- **on the eye:** No irritating effect.
- **Sensitization:** No sensitizing effects known.
- **Additional toxicological information:**
The product is not subject to classification according to internally approved calculation methods for preparations:
When used and handled according to specifications, the product does not have any harmful effects according to our experience and the information provided to us.

12 Ecological information:

- **General notes:** Not known to be hazardous to water.

13 Disposal considerations

- **Product:**
- **Recommendation**
Must not be disposed of together with household garbage. Do not allow product to reach sewage system.

(Contd. on page 4)

USA

08/19/2005

Revision date: 08/19/2005

Trade name: TWP-GB Black Ink

(Contd. of page 3)

Comply with all Federal, State, and Local regulations regarding disposal.

- **Uncleaned packagings:**
- **Recommendation:** Comply with all Federal, State, and Local regulations regarding disposal.
- **Recommended cleansing agent:** Water, if necessary with cleansing agents.

14 Transport information

- **DOT regulations:** Non-regulated Material
- **Hazard class:** -

- **Land transport ADR/RID (cross-border)**
- **ADR/RID class:** -

- **Maritime transport IMDG:**
- **IMDG Class:** -
- **Marine pollutant:** No

- **Air transport ICAO-TI and IATA-DGR:**
- **ICAO/IATA Class:** -

15 Regulations

- **Carcinogenity categories**

- **EPA (Environmental Protection Agency)**

None of the ingredients is listed.

- **IARC (International Agency for Research on Cancer)**

None of the ingredients is listed.

- **NTP (National Toxicology Program)**

None of the ingredients is listed.

- **TLV (Threshold Limit Value established by ACGIH)**

None of the ingredients is listed.

- **MAK (German Maximum Workplace Concentration)**

None of the ingredients is listed.

- **NIOSH-Ca (National Institute for Occupational Safety and Health)**

None of the ingredients is listed.

- **OSHA-Ca (Occupational Safety & Health Administration)**

None of the ingredients is listed.

- **Product related hazard information:**

Observe the general safety regulations when handling chemicals

The product is not subject to identification regulations according to directives on hazardous materials.

- **Safety phrases:**

Keep out of the reach of children.

Do not empty into drains.

- **National regulations**

- **Other regulations, limitations and prohibitive regulations**

- **OSHA Regulations**

Air Contaminant (29 CFR 1910.1000, Table Z-1, Z-1-A): Not listed

OSHA Specifically Regulated Substance (29 CFR 1910.): Not listed

- **Superfund Amendments and Reauthorization Act of 1986 (SARA) Title III, Section 313:**

This product does not contain chemicals listed as toxic chemicals at levels which require reporting under SARA Title III Section 313.

- **CONEG:**

This product has not been tested for heavy metals covered under the various CONEG laws. However, raw materials used to make this product do not contain mercury, lead, cadmium, or hexavalent chromium and none are added during manufacture.

(Contd. on page 5)

Material Safety Data Sheet
acc. to ISO/DIS 11014

08/19/2005

Revision date: 08/19/2005

Trade name: TWP-GB Black Ink

(Contd. of page 4)

· **Toxic Substances Control Act TSCA Status:**

All components of this product are listed in the EPA's Inventory of Chemical Substances as required under the Toxic Substances Control Act (TSCA).

· **California Proposition 65 (Chemicals known to cause cancer):**

This product contains no ingredients on the California Proposition 65 List known to cause cancer.

· **California Proposition 65 (Chemicals known to cause reproductive toxicity):**

This product contains no ingredients on the California Proposition 65 List known to cause reproductive toxicity.

16 Other information:

This information is based on our present knowledge. However, this shall not constitute a guarantee for any specific product features and shall not establish a legally valid contractual relationship.

· **Department issuing MSDS:** Chemistry

· **MSDS Created By:**

Peter Gimse

File 178

· **Revision Information (All previous revisions obsolete):**

This Revision: 8-19-2005 Changed to a new supplier for the dye. Added Diethylene Glycol. Eliminated Ethylene Glycol and Butyl Carbitol.


USA

Attachment E
RO Certification

APPLICATION INFORMATION

Application Responsible Official Certification

Complete if applying for an initial, revised, or renewal Title V air operation permit or concurrent processing of an air construction permit and revised or renewal Title V air operation permit. If there are multiple responsible officials, the "application responsible official" need not be the "primary responsible official."

1. Application Responsible Official Name: Rob Bruno, Plant Manager
2. Application Responsible Official Qualification (Check one or more of the following options, as applicable): <input checked="" type="checkbox"/> For a corporation, the president, secretary, treasurer, or vice-president of the corporation in charge of a principal business function, or any other person who performs similar policy or decision-making functions for the corporation, or a duly authorized representative of such person if the representative is responsible for the overall operation of one or more manufacturing, production, or operating facilities applying for or subject to a permit under Chapter 62-213, F.A.C. <input type="checkbox"/> For a partnership or sole proprietorship, a general partner or the proprietor, respectively. <input type="checkbox"/> For a municipality, county, state, federal, or other public agency, either a principal executive officer or ranking elected official. <input type="checkbox"/> The designated representative at an Acid Rain source, CAIR source, or Hg Budget source.
3. Application Responsible Official Mailing Address... Organization/Firm: CertainTeed Gypsum and Ceiling Manufacturing, Inc. Street Address: 9225 Dames Point Road City: Jacksonville State: Florida Zip Code: 32226
4. Application Responsible Official Telephone Numbers... Telephone: (904) 751-4400 Fax: (904) 757-6547
5. Application Responsible Official E-mail Address: Rob.Bruno@saint-gobain.com
6. Application Responsible Official Certification: <i>I, the undersigned, am a responsible official of the Title V source addressed in this air permit application. I hereby certify, based on information and belief formed after reasonable inquiry, that the statements made in this application are true, accurate and complete and that, to the best of my knowledge, any estimates of emissions reported in this application are based upon reasonable techniques for calculating emissions. The air pollutant emissions units and air pollution control equipment described in this application will be operated and maintained so as to comply with all applicable standards for control of air pollutant emissions found in the statutes of the State of Florida and rules of the Department of Environmental Protection and revisions thereof and all other applicable requirements identified in this application to which the Title V source is subject. I understand that a permit, if granted by the department, cannot be transferred without authorization from the department, and I will promptly notify the department upon sale or legal transfer of the facility or any permitted emissions unit. Finally, I certify that the facility and each emissions unit are in compliance with all applicable requirements to which they are subject, except as identified in compliance plan(s) submitted with this application.</i>  Signature <u>3/29/10</u> Date

Attachment F
PE Certification

APPLICATION INFORMATION

Professional Engineer Certification

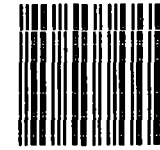
1. Professional Engineer Name: Jeffrey Twaddle Registration Number: 51752
2. Professional Engineer Mailing Address Organization/Firm: Environmental Resources Management Street Address: 7106 Crossroads Boulevard City: Brentwood State: TN Zip Code: 37027
3. Professional Engineer Telephone Numbers Telephone: 615.373.3350 Fax: 615.373.2392
4. Professional Engineer Email Address: jeff.twaddle@erm.com
5. Professional Engineer Statement: <i>I, the undersigned, hereby certify, except as particularly noted herein*, that:</i> <i>(1) To the best of my knowledge, there is reasonable assurance that the air pollutant emissions unit(s) and the air pollution control equipment described in this application for air permit, when properly operated and maintained, will comply with all applicable standards for control of air pollutant emissions found in the Florida Statutes and rules of the Department of Environmental Protection; and</i> <i>(2) To the best of my knowledge, any emission estimates reported or relied on in this application are true, accurate, and complete and are either based upon reasonable techniques available for calculating emissions or, for emission estimates of hazardous air pollutants not regulated for an emissions unit addressed in this application, based solely upon the materials, information and calculations submitted with this application.</i> <i>(3) If the purpose of this application is to obtain a Title V air operation permit (check here <input checked="" type="checkbox"/>), if so, I further certify that each emissions unit described in this application for air permit, when properly operated and maintained, will comply with the applicable requirements identified in this application to which the unit is subject, except those emissions units for which a compliance plan and schedule is submitted with this application.</i> <i>(4) If the purpose of this application is to obtain an air construction permit (check here <input type="checkbox"/>, if so) or concurrently process and obtain an air construction permit and a Title V air operation permit revision or renewal for one or more proposed new or modified emissions units (check here <input type="checkbox"/>, if so), I further certify that the engineering features of each such emissions unit described in this application have been designed or examined by me or individuals under my direct supervision and found to be in conformity with sound engineering principles applicable to the control of emissions of the air pollutants characterized in this application.</i> <i>(5) If the purpose of this application is to obtain an initial air operation permit or operation permit revision or renewal for one or more newly constructed or modified emissions units (check here <input type="checkbox"/>, if so), I further certify that, with the exception of any changes detailed as part of this application, each such emissions unit has been constructed or modified in substantial accordance with the information given in the corresponding application for air construction permit and with all provisions contained in such permit.</i> <p>Signature <u><i>Jeffrey Twaddle</i></u> Date <u><i>3/22/10</i></u> (seal) <u><i>3/22/10</i></u></p>

* Attach any exception to certification statement.

CertainTeed Gypsum WV, Inc.
Attn: Rob Bruno
7200 Energy Road
Proctor, WV 26055



7009 2250 0002 2611 2065



U.S. POSTAGE
PAID
WHEELING, WV
26003
MAR 29, 10
AMOUNT

1000

32399

\$7.17

00051100-13

FIRST CLASS

**RETURN RECEIPT
REQUESTED**

Florida Dept. of Env. Protection
Div. of Air Resource Mgmt.
Bureau of Air Regulation
2600 Blair Stone Rd, MS 5000
Tallahassee, FL 32399

