

3755  
2272 RECEIVED

JAN 21 2010

Bureau of Air Monitoring  
& Mobile Sources

FLORIDA DEPARTMENT OF  
ENVIRONMENTAL PROTECTION  
**ANIMAL CREMATORY**  
**AIR GENERAL PERMIT REGISTRATION FORM**

2010 JAN 19 AM 11:30

**Part II. Notification to Permitting Office**

(Detach and submit to appropriate permitting office; keep copy onsite)  
REVENUE

**Instructions:** To give notice to the Department of an eligible facility's intent to use this air general permit, the owner or operator of the facility must detach and complete this part of the Air General Permit Registration Form and submit it to the appropriate Department of Environmental Protection or local air pollution control program office which has permitting authority. Please type or print clearly all information, and enclose the appropriate air general permit registration processing fee pursuant to Rule 62-4.050, F.A.C. (\$100 as of the effective date of this form)

1050433-001

**Registration Type**

Check one:

**INITIAL REGISTRATION** - Notification of intent to:

- Construct and operate a proposed new facility.
- Operate an existing facility not currently using an air general permit (e.g., a facility proposing to go from an air operation permit to an air general permit).

**RE-REGISTRATION** (for facilities currently using an air general permit) - Notification of intent to:

- Continue operating the facility after expiration of the current term of air general permit use.
- Continue operating the facility after a change of ownership.
- Make an equipment change requiring re-registration pursuant to Rule 62-210.310(2)(e), F.A.C., or any other change not considered an administrative correction under Rule 62-210.310(2)(d), F.A.C.

**Surrender of Existing Air Operation Permit(s) - For Initial Registrations Only**

If the facility currently holds one or more air operation permits, such permit(s) must be surrendered by the owner or operator upon the effective date of this air general permit. In such case, check the first box, and indicate the operation permits being surrendered. If no air operation permits are held by the facility, check the second box.

- All existing air operation permits for this facility are hereby surrendered upon the effective date of this air general permit; specifically permit number(s): \_\_\_\_\_
- No air operation permits currently exist for this facility.

**General Facility Information**

Facility Owner/Company Name (Name of corporation, agency, or individual owner who or which owns, leases, operates, controls, or supervises the facility.)

All Paws Go To Heaven

Site Name (Name, if any, of the facility site; e.g., Plant A, Metropolis Plant, etc. If more than one facility is owned, a registration form must be completed for each.)

All Paws Go To Heaven

Facility Location (Provide the physical location of the facility, not necessarily the mailing address.)

Street Address: 1217 and 1223 West Olive St

City: Lakeland

County: Polk

Zip Code: 33801

33815-4319

Facility Start-Up Date (Estimated start-up date of proposed new facility.) (N/A for existing facilities)

April 1, 2010

**Owner/Authorized Representative**

Name and Position Title: (Person who, by signing this form below, certifies that the facility is eligible to use this air general permit.)

Print Name and Title: Michael Pizzelanti Pres.

Owner/Authorized Representative Mailing Address

Organization/Firm: All Paws Go To Heaven

Street Address: 2215 W. Pipeline

City: Euless, TX

County: Tarrant

Zip Code: 76040

Owner/Authorized Representative Telephone Numbers

Telephone: 817-690-1560

Fax: 817-355-2500

Cell phone (optional): 817-690-1560

**Facility Contact (If different from Owner/Authorized Representative)**

Name and Position Title (Plant manager or person to be contacted regarding day-to-day operations at the facility.)

Print Name and Title: Mike Pizzelanti owner

Facility Contact Mailing Address

Organization/Firm: All Paws Go To Heaven

Street Address: 2215 W Pipeline Rd

City: Euless, TX

County: Tarrant

Zip Code: 76040

Facility Contact Telephone Numbers

Telephone: 817-690-1560

Fax: 817-355-2500


Cell phone (optional):

**Owner/Authorized Representative Statement**

This statement must be signed and dated by the person named above as owner or authorized representative

*I, the undersigned, am the owner or authorized representative of the owner or operator of the facility addressed in this Air General Permit Registration Form. I hereby certify, based on information and belief formed after reasonable inquiry, that the facility addressed in this registration form is eligible for use of this air general permit and that the statements made in this registration form are true, accurate and complete. Further, I agree to operate and maintain the facility described in this registration form so as to comply with all applicable standards for control of air pollutant emissions found in the statutes of the State of Florida and rules of the Department of Environmental Protection and revisions thereof.*

*I will promptly notify the Department of any changes to the information contained in this registration form.*

  
Signature

1/13/10  
Date

REVENUE  
FINANCE & ACCOUNTING

2010 JAN 19 AM 11:30

FLORIDA DEPARTMENT OF  
ENVIRONMENTAL PROTECTION

**Design Calculations**

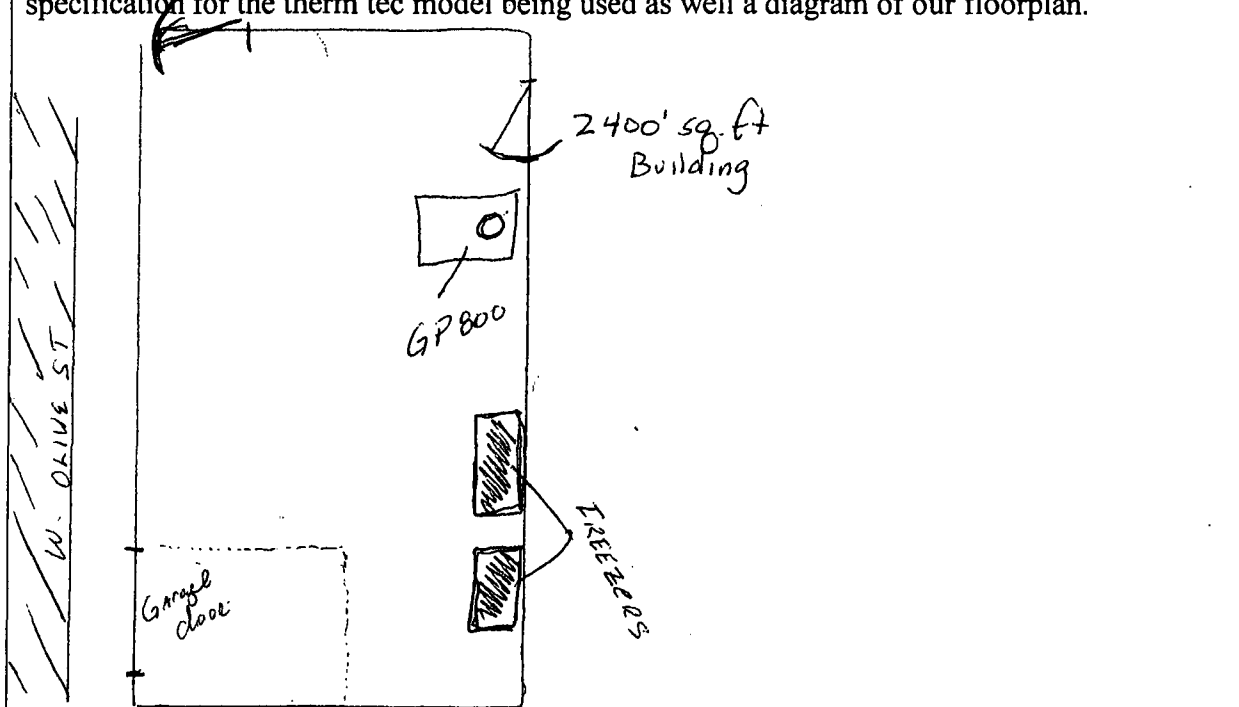
If this is an initial registration for a proposed new animal crematory unit, provide design calculations to confirm a sufficient volume in the secondary chamber combustion zone to provide for at least a 1.0 second gas residence time at 1800 degrees F.

- Manufacturer's' design calculations attached.
- Registration is not for proposed new animal crematory unit(s).

**Description of Facility**

Below, or as an attachment to this form, provide a description of all crematory operations at the facility in sufficient detail to demonstrate the facility's eligibility for use of this air general permit and to provide a basis for tracking any future equipment or process changes at the facility. Describe all air pollutant-emitting processes and equipment at the facility, and identify any air pollution control measures or equipment used.

see attached .....All Paws Go To Heaven has operated our Pet cremation service in the Dallas Metro plex for 9 years . We are locating a new facility in Lakeland, Florida with Thermtec G-8-P-1 unit . Enclosed is the spec sheet for this unit and will include a chart recorder and a an temperature alarm. The facility will meet all the guidelines set forth for a general permit 62-210.310(5) d with this unit. As our company picks up pets we will hold them in freezers unill cremation time. Our freezers will maintain 32 F or below. Our procedures at the facility will be cremation of pets within 48 hour period. We do not have long term storage. As our company grows we will notify the Department of any changes through a new permit. I have included a specification for the therm tec model being used as well a diagram of our floorplan.



# Therm Tec, Inc.

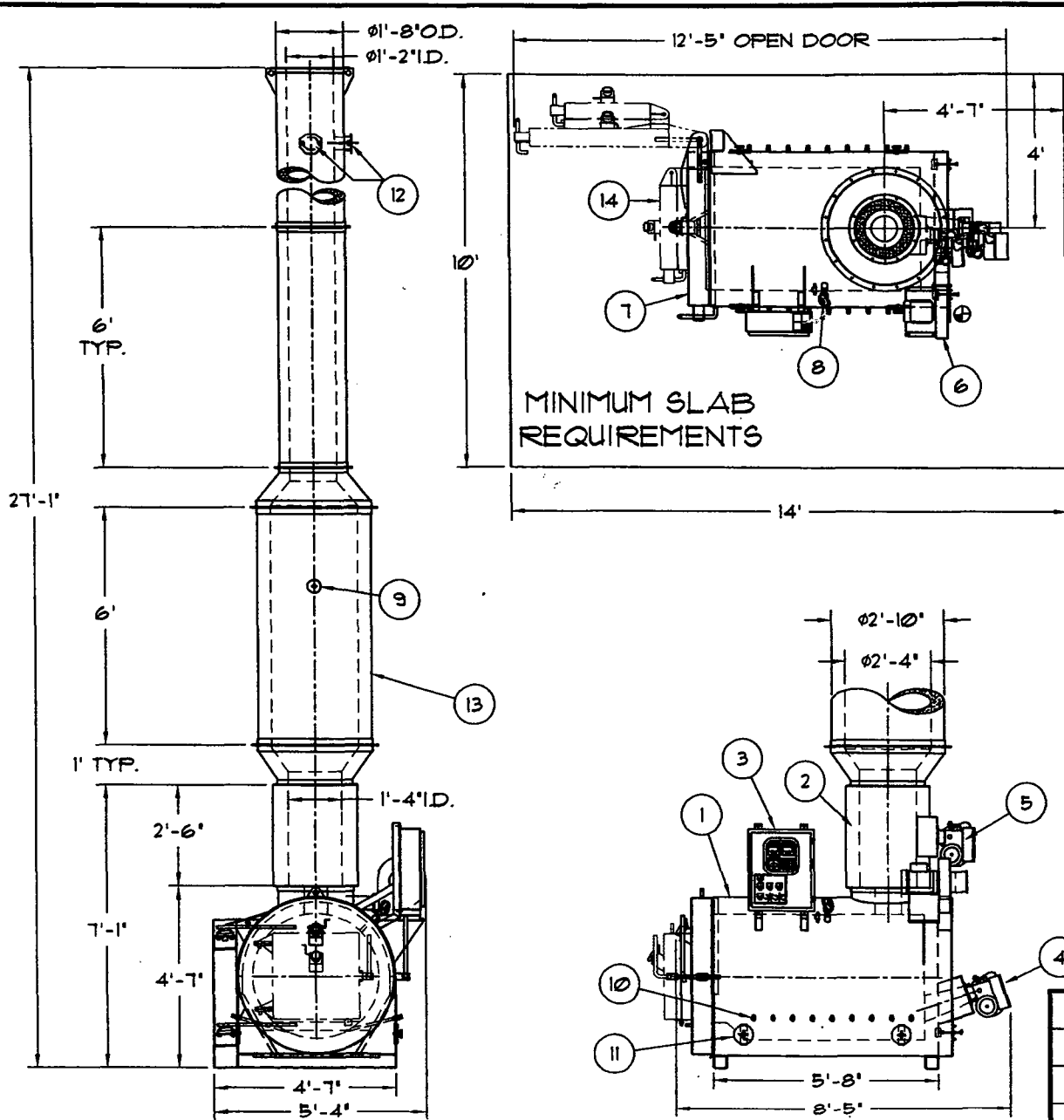
P.O. Box 1105 Tualatin, Oregon 97062  
 Phone 800-292-9163 503-625-7575 Fax 503-625-6161  
 E-mail thermtec@earthlink.net Web Page thermtec.com

## Retention Calculations For Secondary Combustion Chamber ( U.S. E.P.A. Calculation Formula )

### Model G-8-P-1 (One Second Retention)

Formula	$V$	$V = 31.79$	Residence Time
	$\frac{V}{Q_c}$	$\frac{31.79}{28.71} =$	1.11
$V =$	Volume expressed in cubic feet		
$Q_c$	Combustion of gas flow expressed in actual cubic feet per second		
<b>Volume : Of Chamber</b>	Retention /Secondary combustion Chamber I.D. in inches	28	
	Length of chamber in inches	72	
	Cubic Feet	25.66	25.66
	Afterburner Combustion Chamber I.D. in inches	16	
	Length of Afterburner chambers in inches	30	
	Cubic Feet	3.49	3.49
	Lower Transition Chamber I.D. in inches 16 to 28	22	
	Length Of Transition Chamber in inches	12	
	Cubic Feet	2.64	2.64
<b>Total Cubic Feet</b>		<b>31.79</b>	<b>31.79</b>
<b>Volume Of Chamber = To Be Used - In cubic feet</b>		<b>31.79</b>	
	Residence Time - Seconds	1.11	
ACFS (Actual cubic feet per second)		28.71	
ACFM ( Actual Cubic Feet Per Minute @ temperature)		1723	
Secondary Combustion Chamber Temperature		1800°F	

**Typical Calculation used for flue gas retention time in secondary chamber**



MINIMUM SLAB  
REQUIREMENTS

1	PRIMARY COMBUSTION CHAMBER
2	SECONDARY COMBUSTION CHAMBER (AFTERBURNER)
3	CONTROL PANEL
4	PRIMARY BURNER
5	SECONDARY BURNER
6	COMBUSTION AIR FAN
7	MAIN DOOR W/VIEW PORT
8	PRIMARY THERMOCOUPLE
9	SECONDARY THERMOCOUPLE
10	AIR CLEAN OUT PORTS
11	AIR GALLERY ACCESS COVERS
12	TEST PORTS
13	1 SECOND RETENTION SECTION
14	AUXILIARY LOAD DOOR (OPTIONAL)
⊕	FUEL SUPPLY (BY OTHERS)
⊞	ELECTRICAL SERVICE (BY OTHERS)

REVISION	DATE	BY	DESCRIPTION

THIS DOCUMENT DISCLOSES SUBJECT MATTER TO WHICH THERM-TEC, INC., SHERWOOD, OREGON HAS PROPRIETARY RIGHTS AND IS NOT TO BE USED IN ANY WAY WITHOUT CONSENT OF THERM-TEC, INC., SHERWOOD, OREGON.

L/C

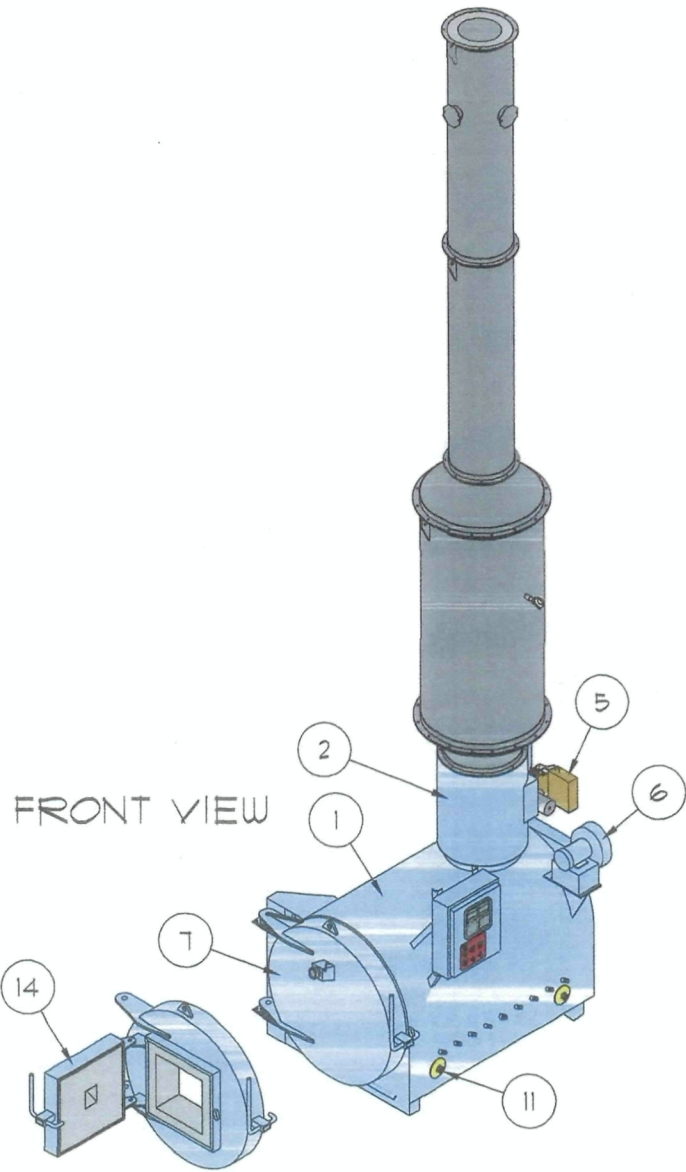
SCALE	1/4"=1'-0"
DRAWN BY	T.SROFE
DATE	07/28/97
CHECKED BY	



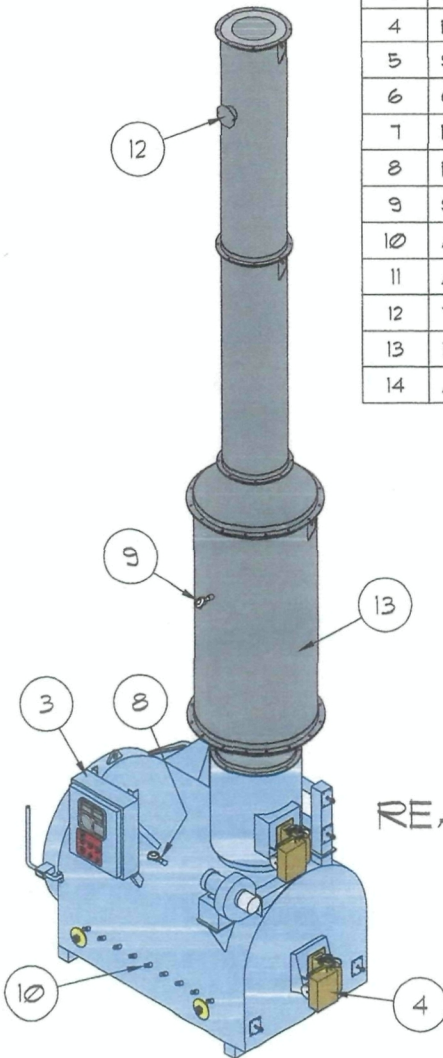
GENERAL ARRANGEMENT  
G-8-P-1 INCINERATOR

TOLERANCES (EXCEPT AS NOTED)	± 1"	ASG-2161 SHEET 1 OF 2	CHANGE
---------------------------------	------	--------------------------	--------

T.SROFE 08:41:44 01/15/10



FRONT VIEW



REAR VIEW

1	PRIMARY COMBUSTION CHAMBER
2	SECONDARY COMBUSTION CHAMBER(AFTERBURNER)
3	CONTROL PANEL
4	PRIMARY BURNER
5	SECONDARY BURNER
6	COMBUSTION AIR FAN
7	MAIN DOOR W/VIEW PORT
8	PRIMARY THERMOCOUPLE
9	SECONDARY THERMOCOUPLE
10	AIR CLEAN OUT PORTS
11	AIR GALLERY ACCESS COVERS
12	TEST PORTS
13	1 SECOND RETENTION SECTION
14	AUXILIARY LOAD DOOR (OPTIONAL)

REVISION	DATE	BY	DESCRIPTION

THIS DOCUMENT DISCLOSES SUBJECT MATTER TO WHICH THERM-TEC, INC., SHERWOOD, OREGON HAS PROPRIETARY RIGHTS AND IS NOT TO BE USED IN ANY WAY WITHOUT CONSENT OF THERM-TEC, INC., SHERWOOD, OREGON.

L/C

SCALE	3/16"=1'-0"
DRAWN BY	T.SROFE
DATE	07/28/97
CHECKED BY	



GENERAL ARRANGEMENT  
G-8-P-1 INCINERATOR

TOLERANCES (EXCEPT AS NOTED)	± 1"
---------------------------------	------

ASG-2161  
SHEET 2 OF 2

CHANGE

Therm Tec Inc.  
 P.O. Box 1105  
 Tualatin, Oregon 97062  
 (503) 625-7575  
 FAX (503) 625-6161

Updated :  
 Jan 14th 2010  
 SPEC-G8P1

## SPECIFICATIONS : " G-8- P-1 " MODEL ANIMAL CREMATION UNIT

### MAIN CHAMBER (Primary Chamber)

	Model No.->	G-8-P
Volume Of Chamber	Cu. Ft.	41.43
Ignition Burner	Btu's Hr.	800,000
Burner Control On-Off	Pyrometer	On-Off
Diameter - Outside	Inches	48
Diameter - Inside	Inches	38
Length - Outside	Inches	72
Length - Inside	Inches	63
Load Door Opening Size-O.D.	Inches	48
Preheated Comb. Air Surface	Sq. Ft.	36.5
Hearth Area	Sq. Ft.	17.41
Metal Thickness	Plate	0.1875
Refractory Thickness	Inches	4
Refractory Rating @	Deg. F	2600
Insulation Thickness	Inches	1
Insulation Rating @	Deg. F	1900
Weight	Pounds	6450

### AFTERBURNER (Secondary Chamber)

		G-8-P
Burner (s)	Btu's Hr.	1,200,000
Burner Control High-Low Fire	Pyrometer	Hi-Low
Length Used In Section	Inches	30
Diameter - Outside	Inches	22
Diameter - Inside	Inches	16
Volume Of Chamber	Cu. Ft.	3.49
Preheated Comb. Air Surface	Sq. Ft.	9.43
Metal Thickness	Plate	0.1875
Refractory Thickness	Inches	3
Refractory Rating @	Deg. F	3200
Weight	Pounds	910

### SECONDARY RETENTION - ONE SECOND

		G-8-P
Length Used In Section	Inches	72
Diameter - Outside	Inches	34
Diameter - Inside	Inches	28
Volume Of Transitions	Cu. Ft.	2.64
Volume Of Chamber	Cu. Ft.	25.69
Metal Thickness	Plate	0.1875
Refractory Thickness	Inches	3
Refractory Rating @	Deg. F	2600
Weight	Pounds	2832
Total Volume Of Afterburner And Retention	Cu. Ft.	31.79

### STACK SECTIONS - REFRACTORY LINED



Therm Tec Inc.  
 P.O. Box 1105  
 Tualatin, Oregon 97062  
 (503) 625-7575  
 FAX (503) 625-6161

Updated :  
 Jan 14th 2010  
 SPEC-G8P1.

## SPECIFICATIONS : " G-8- P-1 " MODEL ANIMAL CREMATION UNIT

		G-8-P
Number Of Stacks - 72"	Sections	2
Metal Thickness	Sheet	0.1345
Stack Diameter -Outside	Inches	20
Stack Diameter -Inside	Inches	14
Refractory Thickness	Inches	3
Refractory Rating @	Deg. F	2300
Weight Each Section	Pounds	865
Total Weight Of Stacks	Pounds	1730

### OVERALL DIMENSIONS AND WEIGHT OF UNITS :

		G-8-P
Width	Inches	64
Length With Door Closed	Inches	102
Length With Door Open -90 Deg.	Inches	151
Height To Top Of A/B	Inches	85
Height To Top Of Stacks	Inches	325
Total Weight Of System	Pounds	11,012

### UTILITY Connection To Unit :

Natural Gas	1 1/4" NTP Single Point Connection To Gas Regulator, Supplied With Unit
Electrical	3 Wire To Control Panel Terminal Strip
Water	1/2" Supply For Housekeeping Only ( Optional )

### UTILITY REQUIRMENTS

		G-8-P
Fuel :	Natural Gas Max.	CFH 2000
	Delivered @	Pounds 2-5
	Operating @	W.C. 14"
Electrical For Natural Gas Units :		
	Volts	115
	Amps.	30
	Phase	Single
	Wires	3
Water : Housekeeping Only	GPD	20

### Horsepower Requirements For Units :

		G-8-P
Natural Gas Units :		
Burner	Primary	H.P. 1/20
Burner	Secondary	H.P. 1/6
		-
Combustion Air Fan	H.P.	H.P. 1
		-
Control Power		Watts 100

Therm Tec Inc.  
 P.O. Box 1105  
 Tualatin, Oregon 97062  
 (503) 625-7575  
 FAX (503) 625-6161

Updated :  
 Jan 14th 2010  
 SPEC-G8P1

## SPECIFICATIONS : " G-8- P-1 " MODEL ANIMAL CREMATION UNIT

### CONTROLS PROVIDED WITH MODELS :

All Controls And Parts Are : U.L. Listed And C.S.A. Listed

Enclosure	NEMA 12
Window, Plexiglass	Gasketed, Rubber ( For Units Installed Outside )
Switch, On - Off	System - Pre-Heat And Run
Switch, On - Off	Burner, Main Chamber - Ignition
Timer, 0 To 12 Hours	Incinerator Run Timer
Draft Gauge Indication	Main Chamber Draft Reading, Positive - 0 - Negative
Temperature Controller	Primary Chamber 0 to 2000 Deg "F"
Temperature Controller	Afterburner Chamber 0 to 2000 Deg "F"
	Lock Out Of System Until Pre-Heat Is Obtained In Afterburner Chamber
	For Combustion Air Supply
Light, Indication	Main Chamber Burner Operation
Light, Indication	Afterburner Chamber Operation
Light, Indication	Pre-Heat Of Afterburner Operation
Switch, Limit	Main Load Door Safety Switch, Burner & Combustion Air Control
Plaque	Operation & Maintenance On Control Panel
Operation & Maintenance Manuals	Two (2) Sets

### Mechanical Controls On System :

Combustion Air Supply To System - Primary Chamber- 2 Each - Indicators  
 Combustion Air Supply To System - Afterburner Chamber- 2 Each - Indicators  
 Air Supply Ports To Main Chamber, Flip Cap Type For Cleaning Air Ports To Main Chamber

### SINGLE BATCH LOAD CAPACITY

Animal Cremation  
 Weight Per Cubic Foot Apx. 35 Lbs  
 Batch Loaded Up To 2 Loads Per Day

G-8-P  
 600

Burn Rate Is Dependent Upon - Btu Of Material, Load Rate And Density

### OPTIONS AVAILABLE AT ADDITIONAL COST

Temperature Recorders, (Continuous, 7 Day / 24 Hours) Single Pen Or 2 Pen Points  
 Door Swing, Main Load Door - Right Or Left  
 Primary Burner Placement (Standard On Back Of Unit) - OR - On Right Side Or Left Side Of Unit  
 " F.M. " Control For Burners(s)  
 Magnetic Door Lock ( Lock Out System Required By Some A.P. Agencies )  
 Auxiliary Load Door On Main Door  
 1/2 Yard Pneumatic Ram Feeder G-12 and Up ( Hospital And General Units )  
 Spark Arrestors  
 Additional Stack Sections  
 Stack Base For Remote Stack Systems  
 Special Stack Shapes - Elbows, 90 Deg., 45 Deg. And Breech Sections  
 Burner Covers (For Outside Installations)  
 Remote Control Panels  
 Extra Operational and Maintenance Manuals