

**CONCRETE BATCHING PLANTS
AIR GENERAL PERMIT RE-REGISTRATION INFORMATION**

Facility Identification Number - If known (seven digit number)

775211-003-AG

**7775211-002-AG: June 2013 re-registration (renewal) for this permit, which will expire 07/14/2013.
Hayward Baker, Inc.**

Registration Type

Check one:

INITIAL REGISTRATION - Notification of intent to:

- Construct and operate a proposed new facility.
- Operate an existing permitted facility not currently using an air general permit (e.g., a facility proposing to go from an air operation permit to an air general permit). If the facility currently holds one or more air operation permits, such permit(s) must be surrendered by the owner or operator upon the effective date of this air general permit. (See "Surrender of Existing Air Operation Permit(s)" below.)
- Operates an existing facility not currently permitted or using an air general permit.

RE-REGISTRATION (for facilities currently using an air general permit) - Notification of intent to:

- Continue operating the facility after expiration of the current term of air general permit use.
- Continue operating the facility after a change of ownership.
- Make an equipment change requiring re-registration pursuant to Rule 62-210.310(2)(e), F.A.C.
- Any other change not considered an administrative correction under Rule 62-210.310(2)(d), F.A.C.

Surrender of Existing Air Operation Permit(s) - For Initial Registrations Only, if Applicable

All existing air operation permits for this facility are hereby surrendered upon the effective date of this air general permit; specifically permit number(s):

N/A

General Facility Information

Facility Owner/Company Name (Name of corporation, agency, or individual owner who or which owns, leases, operates, controls, or supervises the facility.)

Hayward Baker, Inc.

Site Name (Name, if any, of the facility site; e.g., Plant A, Metropolis Plant, etc. If more than one facility is owned, a complete registration must be submitted for each.)

Mobile Concrete Mixer & Cement Silo

7775211 - Stored at Hayward Baker headquarters, 6850 Benjamin Rd., Tampa, FL 33634 unless mobilized to job sites.

Facility Location (Physical location of the facility, not necessarily the mailing address.)

Street Address: **6850 Benjamin Road**

City: **Tampa**

County: **Hillsborough**

Zip Code: **33634**

Facility Start-Up Date (Estimated start-up date of proposed **new** facility.) (N/A for existing facility.)

N/A

**RECEIVED
DEPARTMENT OF
ENVIRONMENTAL PROTECTION
2013 JUN 11 PM 1:28
FINANCIAL ACCOUNTING
REVENUE**

7775211 – June 2013 Renewal (Concrete Batching Plant AG Permit) - Hayward Baker, Inc.

Facility Contact

Name and Position Title (Plant manager or person to be contacted regarding day-to-day operations at the facility.)

Print Name and Title: **Mr. Dean Elliott, Operations Manager**

Facility ID No. **7775211**

Facility Contact Telephone Numbers

Telephone: **(813) 884-3441**

Fax: **(813) 884-3820**

Cell phone: **(813) 299-3413**

E-mail: **DAElliott@haywardbaker.com**

Facility Contact Mailing Address

Organization/Firm: **Hayward Baker, Inc.**

Mailing Address: **6850 Benjamin Road**

City: **Tampa**

County: Hillsborough

Zip Code: **33634**

Other Contact/Representative (to serve as additional Department contact)

Name and Position Title

Print Name and Title: **Mr. Lynn Robinson, P.E., Permitting Manager**

Other Contact/Representative Telephone Numbers

Telephone: **(813) 752-5014**

Fax: **(813) 752-2475**

Cell phone: **(813) 957-8804**

E-mail: **lrobinson@sesfla.com**

Other Contact/Representative Mailing Address

Organization/Firm: **Southern Environmental Sciences, Inc.**

Street Address: **1204 North Wheeler Street**

City: **Plant City**

County: **FL**

Zip Code: **33563**

Government Facility Code (check only one)

- Facility not owned or operated by a federal, state, or local government.**
- Facility owned or operated by the federal government.**
- Facility owned or operated by the state.**
- Facility owned or operated by the county.**
- Facility owned or operated by the municipality.**
- Facility owned or operated by a water management district.**

RECEIVED
DEPARTMENT OF
ENVIRONMENTAL PROTECTION
2013 JUN 11 PM 1:28
FINANCIAL ACCOUNTING
REVENUE

7775211 – June 2013 Renewal (Concrete Batching Plant AG Permit) - Hayward Baker, Inc.

Type of Facility

Check one:

Stationary Facility Relocatable Facility

Type(s) of Reasonable Precautions Used to Prevent Unconfined Emissions

Check all precautions to be used for the management of roads, parking areas, stock piles and yards:

Pave Roads Pave Parking Areas Pave Yards
 Maintain Roads/Parking/Yards Use Water Application Use Dust Suppressant
 Remove Particulate Matter Reduce Stock Pile Height Install Wind Breaks

Check all precautions to be used for the management of drop points to trucks:

Spray Bar Chute Enclosure
 Partial enclosure

Equipment Details Provide information for each silo, weigh hopper (batcher), and other enclosed storage and conveying equipment that are limited to a visible emissions of 5 percent opacity pursuant to Rule 62-296.414(1), F.A.C.

PROCESS EQUIPMENT TYPE (silo, weigh hopper, batcher, etc.)	PROCESS EQUIPMENT IDENTIFICATION*	CONTROL DEVICE (baghouse, vent filter, etc.)	CONTROL DEVICE MANUFACTURER	CONTROL DEVICE MODEL NUMBER
Weigh Batcher	ELKIN HI-TECH Mobile Mixer	N/A	N/A	N/A
Cement Silo	Belgrade Steel Tank Co.	Baghouse	Belgrade Steel Tank Co.	"Belle" 150

* If there are multiple pieces of the same types of process equipment (more than one silo, etc), provide an identifier (location, numeric designation, capacity or product) specific to each piece of equipment.

Description of Facility

Below, or as an attachment to this form, provide a description of the concrete batching plant operations at the facility in sufficient detail to demonstrate the facility's eligibility for use of this air general permit and to provide a basis for tracking any future equipment or process changes at the facility. Describe type of concrete product(s) manufactured, all air pollutant-emitting processes, and identify any air pollution control measures used. Mobile source equipment information is not needed (eg.: trucks, bulldozers, front-end loaders, etc.)

This June 2013 re-registration is for the renewal of Permit No. 7775211-002-AG (expiration date: 07/14/2013) for Hayward Baker, Inc.

The facility is a relocatable/mobile concrete mixer and associated cement storage silo to produce concrete at job sites for specific on-site needs. The Belgrade Steel Tank Company, cement storage silo is equipped with a Belgrade silo-top baghouse.

Cement is loaded into the storage silo pneumatically through a hose/pipe from a bulk delivery tanker truck. The baghouse controls particulate matter (dust) emissions associated with the air displaced from the silo during loading of cement into the silo.

From the silo, cement is loaded to the weigh batcher by a screw auger. This system is closed and does not generate dust.

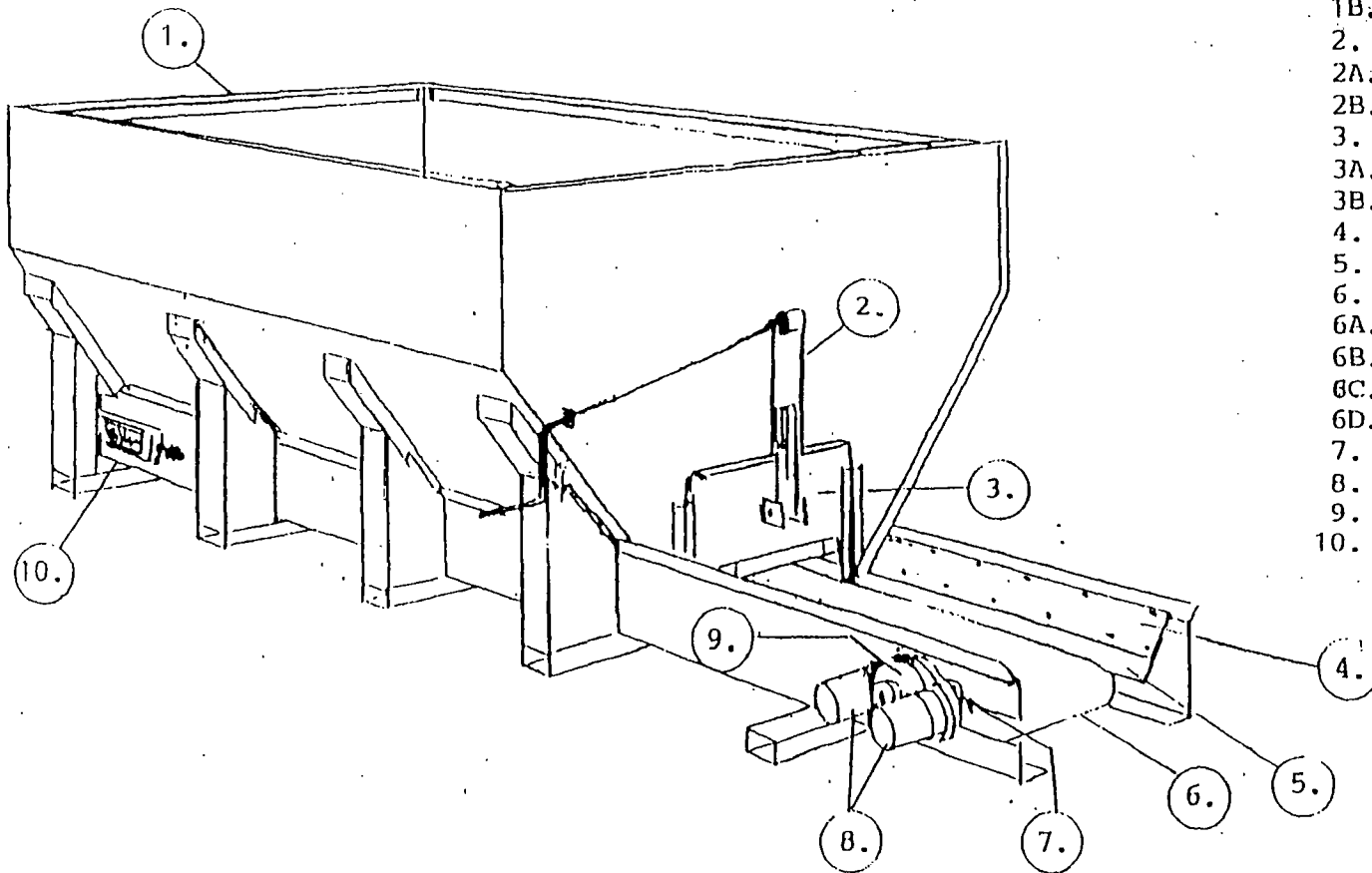
The correct weight of cement is then fed from the weigh batcher to the mixer, which contains water, then thoroughly mixed and removed for use at the job site.

See attached equipment information.

RECEIVED
 DEPARTMENT OF ENVIRONMENTAL PROTECTION
 2013 JUN 11 PM 1:28
 PERMITS & ACCOUNTING
 INVENTORY

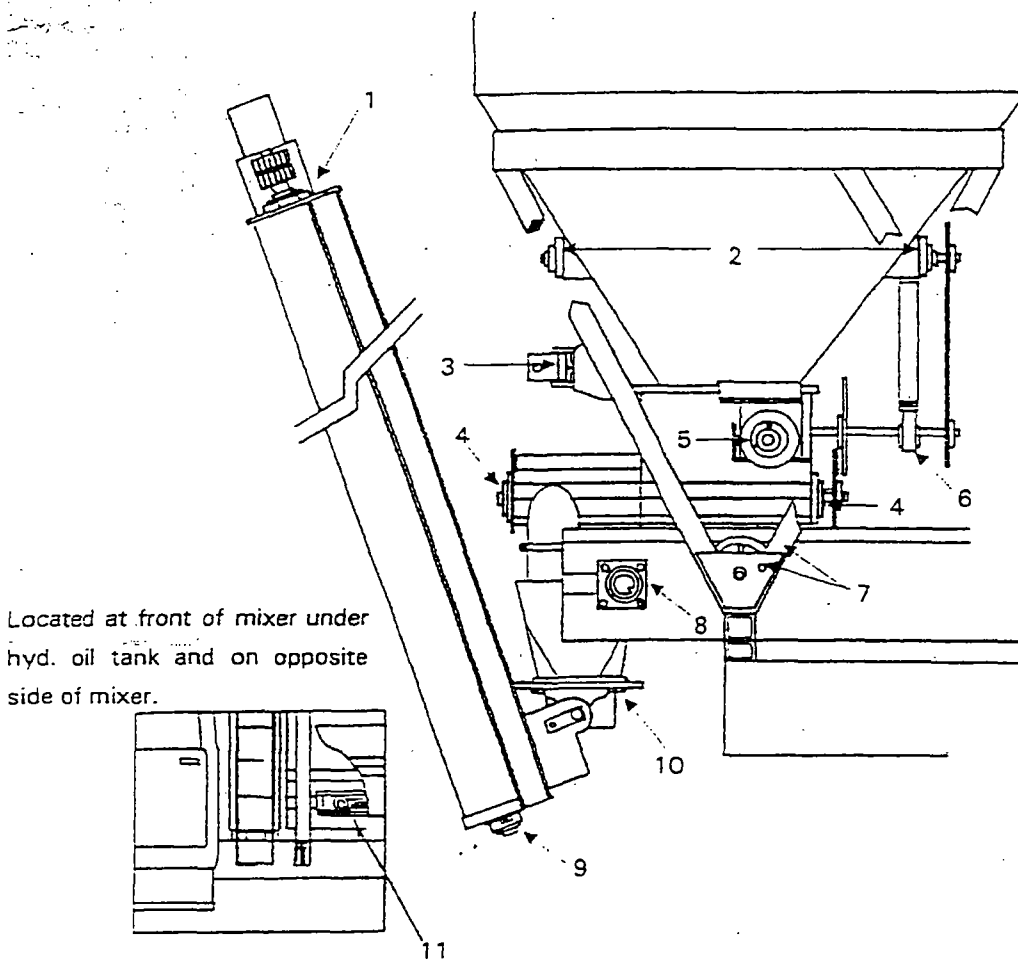
**EQUIPMENT INFORMATION
ATTACHMENT**

RECEIVED
DEPARTMENT OF
ENVIRONMENTAL PROTECTION
2013 JUN 11 PM 1:28
FINANCE & ACCOUNTING
REVENUE



NO.	DESCRIPTION	PART NO.
1	AGGREGATE BIN	SP0022
1A.	PAN	SP0023
1B.	PAN PLASTIC	700251
2.	IVY; GATE JACK	700107
2A.	HANDLE	700107A
2B.	RULE	700221
3.	30" GATE	700235A
3A.	RT. GATE GUIDE	700229
3B.	LT. GATE GUIDE	700230
4.	SIDE WIRE/RETAIN	700258
5.	SIDE WIPE	700142
6.	30" CONV. 5H/141L	700118A
6A.	RUBBER 30"	700118
6B.	BOLT-ON SPLICE	700141
6C.	FR. CONV. SHAFT	700134A
6D.	RR. CONV. SHAFT	700135A
7.	RR. CONV. BEARING	700108
8.	1105 HYD. MOTOR	100105
9.	2HOLE GEARBOX	700100
10.	CONV. TAKE-UP	700110

GREASE FITTING LOCATION CHART



Located at front of mixer under hyd. oil tank and on opposite side of mixer.

FREQUENCY CHART	2 - 3 TIMES DAILY	DAILY	EVERY 2 - 3 DAYS
1. TOP AUGER BEARING **	X		
2. AGITATOR BEARING			X
3. CLEVIS HITCH			X
4. METERING WHEEL AUGER BEARING		X	
5. CLUTCH HUB			X
6. METERING WHEEL PILLOW BLOCK			X
7. ADMIX SHAFT (TUBE TYPE) INSIDE & OUTSIDE BEARINGS			X
8. CONVEYOR BEARINGS (2 BEARINGS / 1 EA. SIDE)		X	
9. BOTTOM AUGER BEARING **	X	X	X
10. BOWL RINGS			X
TOP 3 PLACES			X
CENTER 2 PLACES			X
BOTTOM 3 PLACES			X
11. FRONT CONVEYOR TAKE-UP			X

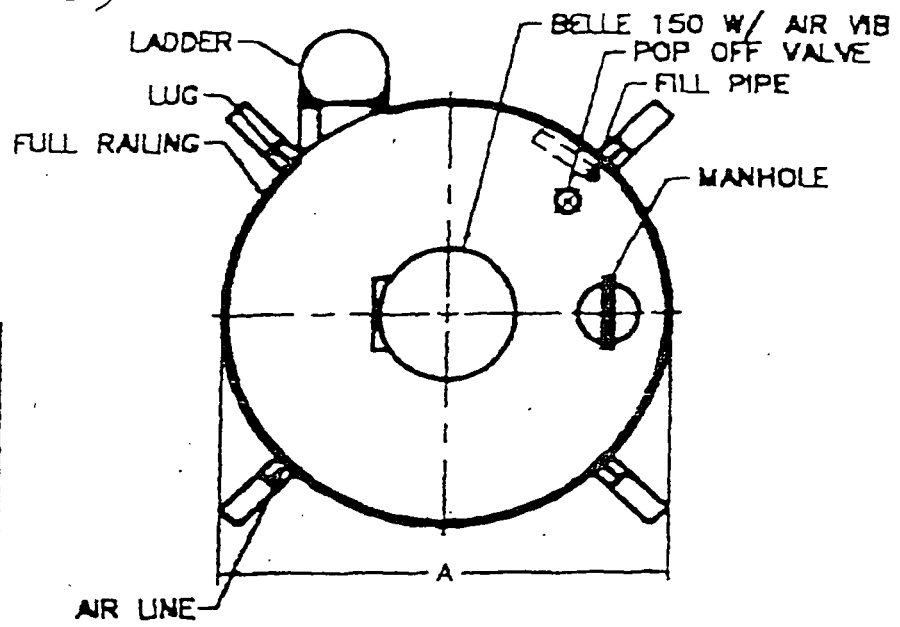
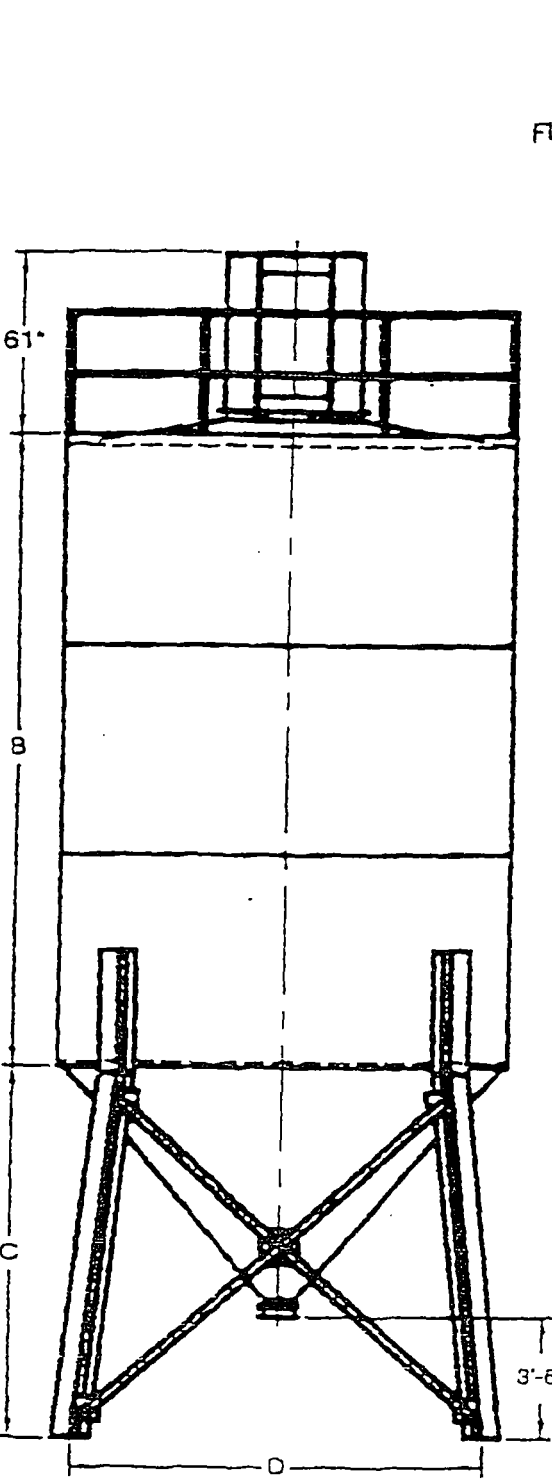
** AUGER BEARINGS SHOULD BE GREASED TWO OR THREE TIMES DAILY, DEPENDING ON USAGE, AND AT THE END OF EACH DAY WITH AUGER ROTATION AT MINIMUM RPM.

RECEIVED
 DEPARTMENT OF
 ENVIRONMENTAL PROTECTION
 2013 JUN 11 PM 1:28
 RECEIVED



Allen D. Dowell

KEEP FOR FILE (SILOS)

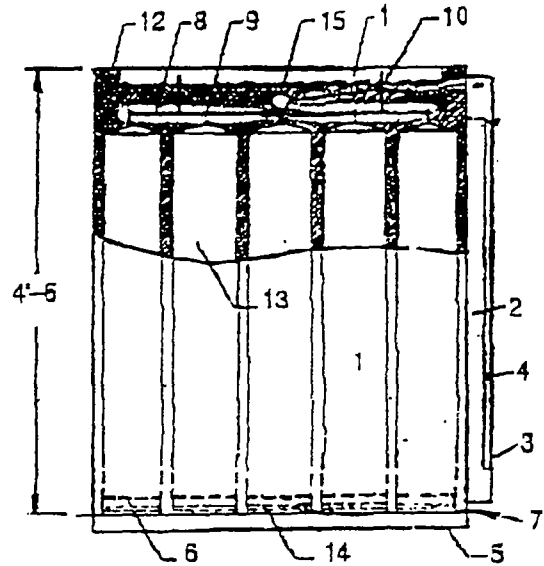
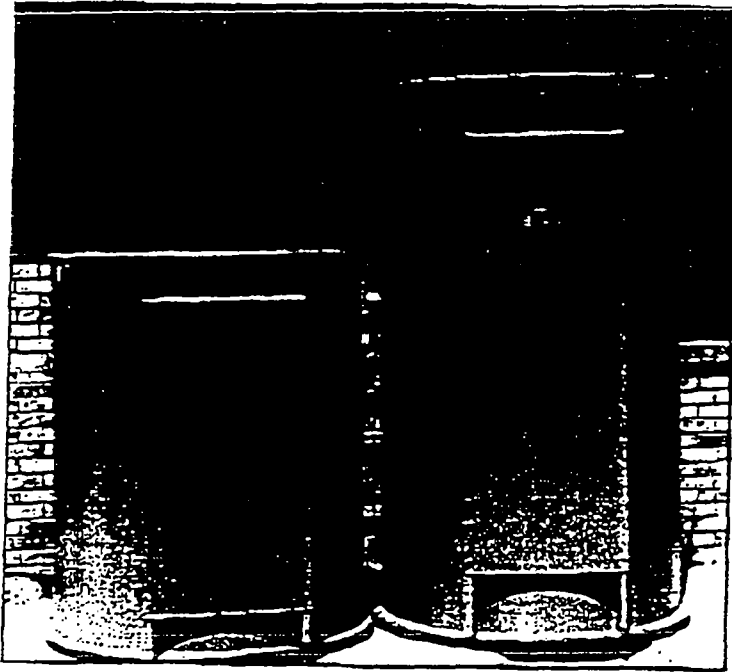


Belgrade Basic Silos:
Standard Equipment

- Legs w/3'6" clearance under discharge
- Outside Ladder w/Cage
Opt. inside ladder
- Full railing
- 4" Blower pipe w/adaptor
Optional 5" Blower pipe
- 150 Sq. Ft. Dust House w/air vibrator & pop-off valve
Optional 225 Sq. Ft.
- Vibrator Air Line
- Man hole
- 8 External Air Pads
- Standard Jam Gates
- Sand Blast, Prime and Painted Standard Colors
white-grey-tan-cat yellow

Qty	A	B	C	D	Wt.
225	8'6"	15'0"	8'6"	7'8"	6000#
300	8'6"	20'0"	8'6"	7'8"	7000#
350	10'0"	18'0"	9'6"	9'4"	9000#
450	10'8"	18'0"	9'10"	9'10"	10000#
550	10'8"	24'0"	9'10"	9'10"	13000#
700	12'0"	24'0"	10'6"	11'0"	15000#
900	12'0"	30'0"	10'6"	11'0"	17000#
1050	12'0"	36'0"	10'8"	11'0"	21000#

Belle Style Dust House



**SQUARE FT.
BAG AREA**

CAP. CEMENT

150
225

375 C.F.M.
675 C.F.M.

Parts List

	<u>150 Sq. Ft.</u>	<u>225 Sq. Ft.</u>
1. Housing	4'6" x 10' x 14 Ga.	6'6" x 10' x 14 Ga.
2. Door Frame	4'4" x 4 1/2" x 12 Ga.	6'4" x 4 1/2" x 12 Ga.
3. Door Frame Screw (2)	21" x 4 3/4" x 12 Ga.	same
4. Door	42" x 24" x 14 Ga.	60" x 24" x 14 Ga.
5. Mating Flange	2" x 2" x 3/16 Angle 44" Diameter	Same
6. Sock Holders	8" Diameter - 18 Pcs.	same
7. Base	48" Dia. x 10 Ga.	same
8. Shaker Plate	36" Dia. x 12 Ga.	same
9. Open Eye Bolt	1/4" x 3" - 18 Pcs.	same
10. Suspension Bolts (4)	3/8" x 5" Hex	same
11. Suspension Bar Ass'm	Angle Iron Support	same
12. Cover	47" Dia. x 14 Ga.	same
13. Polyester Socks	(18) 4' x 8" Dia.	(18) 6' x 8" Dia.
14. Band Clamps	18 Required	same
15. Vibrator	VS 190	same

Cpt: Single Phase Electric Vibrator

"Belle" Filter Stock Specifications

Style	PE 37
Fiber	100% Polyester
Weight	9 oz./Sq. Yd.
Construction	Spun/Spun
Count	100W x 80F
Air Permeability	20-30 C.F.M.
Mullen Burst	500 PSI
Tensile Strength	Warp Direction 300# Fil Direction 275#
Thermal Stability	2% Max. 300 Degrees F
Max Operating Temp	275 Degrees F
Efficiency	99.95%

Operation Recommendations

Air Pressure: Do not run vibrator over 80 PSI. Too low air pressure and lack of adequate air supply (too small line to vib.), however, is one of the primary causes for poor performance of air vibrators. For example, 80 PSI at 50 CFM through 150' of 1/2" hose or pipe will lose more than 30 lbs. of pressure due to friction loss. Fittings and bands in the line and other obstructions will also reduce the air pressure. A general rule for estimating compressor output is 5 CFM to 1 HP compressor.

SECTION 1: GENERAL FACILITY INFORMATION

Does the facility have a current air quality permit? [Yes / No]; If Yes, permit number _____

Facility Rated Capacity [cubic yards per hour] _____ (not to exceed 326 yd³/hr)

Does the facility operate non-exempt air emission sources outside of the concrete batch plant as defined in the instructions? (see 15A NCAC 2Q .0102 for list of exempt activities) [Yes / No] If the facility does operate any non-exempt activities please contact your Air Quality Regional Office.

SECTION 2: CONTROL DEVICE PARAMETERS

Fabric Filter Parameters	Controlled Sources		
	Cement Silo	Flyash Silo	Weigh Hopper
Manufacturer	Belgrade		
Square Feet of Filter Area	150.5 sq ft.		
Estimated Inlet Flow Rate (ACFM)	375 C.F.M		
Filter Material	PE 37 100% Polyester		
Cleaning Procedure: (mechanical, reverse flow, air pulse, bag collapse, or other (describe))	Vibrator		

SECTION 3: OTHER AIR EMISSION REDUCTION ACTIVITIES

Does the facility operate any air emission controls not specified above? [Yes / No] If so, please specify the emission source and the control device(s). _____

Describe any additional air pollution activities taking place at the facility which have not already been addressed: _____

This application must include the attached "Specific Emission Source Reduction and Recycling" form as required pursuant to North Carolina General Statute 143-215.108(g).

The permittee should request renewal of the permit at least ninety (90) days prior to its expiration. Operation of the facility without a valid air permit could result in enforcement action pursuant to NCGS 143-215.108.

I certify that I am familiar with the information contained in this application and that to the best of my knowledge and belief such information is true, complete, and accurate.

Printed Name of Responsible Company Official _____

Title _____

Date Application Signed _____

Signature of Applicant _____

Southern Environmental Sciences, Inc.

1204 North Wheeler Street □ Plant City, Florida 33563 □(813) 752-5014, Fax (813) 752-2475

June 2013

If by Overnight Delivery (FedEx, etc.): Department of Environmental Protection Receipts 3800 Commonwealth Blvd. Mail Station 77 Tallahassee, FL 32399 Phone: (850) 717-9106	If by regular U.S. Postal Service mail: Department of Environmental Protection Receipts PO Box 3070 Tallahassee, FL 32315-3070
--	---

FDEP Contact: Ms. Barbara Friday (Interim) Email: Barbara.Friday@dep.state.fl.us
Phone: (850) 717-9106

Re: Air General Permit Re-Registration for Concrete Batching Plant (CBP)
Current Permit No. 7775211-002-AG
Hayward Baker, Inc.
Headquarters Location: 6850 Benjamin Road, Tampa, FL 33634
Phone: (813) 884-3441

Ladies & Gentlemen:

On behalf of Hayward Baker, Inc., Southern Environmental Sciences, Inc. (SES) is pleased to submit the enclosed Re-Registration information for the above referenced existing, previously permitted facility.

Also enclosed is a \$100.00 fee check payable to Florida Dept. of Environmental Protection.

If you have any questions concerning the permit application please contact me at office phone: (813) 752-5014 or email: lrobinson@sesfla.com.

Sincerely,

SOUTHERN ENVIRONMENTAL
SCIENCES, INC.

Lynn Robinson

Lynn Robinson, P.E.
Permitting Manager

Encl: CBP Re-Registration Form for 7775211 and \$100.00 fee check

Cc: Mr. Dean Elliott, Operations Manager, Hayward Baker, Inc.,
Email: DAElliott@haywardbaker.com

SES Project 13P183

RECEIVED
DEPARTMENT OF
ENVIRONMENTAL PROTECTION
2013 JUN 11 PM 1:28
FINANCE & ACCOUNTING
REVENUE