



Florida Department of Environmental Protection

Bob Martinez Center
2600 Blair Stone Road
Tallahassee, Florida 32399-2400

Charlie Crist
Governor

Jeff Kottkamp
Lt. Governor

Michael W. Sole
Secretary

July 16, 2008

Mr. Dean Elliott
Hayward Baker
6850 Benjamin Road
Tampa, Florida 33634

Dear Mr. Elliott:

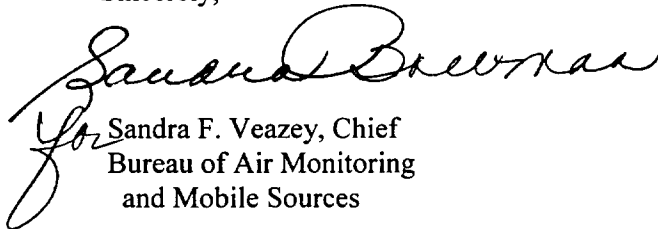
This is to acknowledge that your notification of intent to use the authority of Rule 62-210.310 to operate your facility was received on June 13, 2008. We have assigned ARMS No. 7775209-002 to this facility.

As you know, pursuant to Florida Statutes section 403.814, authority to operate under general permits commences thirty days after receipt of the registration form unless you have been notified by this office that your facility has not shown entitlement to operate pursuant to the rule provisions.

For your information, authority to operate pursuant to Rule 62-210.310 expires after 5 years. Therefore, a new registration form must be received no later than 5 years after the date your notice was received as indicated above. If your general permit rule conditions require testing, such testing must be completed within the time frame specified in the rule.

If you have any additional questions, please contact Dickson Dibble at 850/921-9586.

Sincerely,


Sandra F. Veazey, Chief
Bureau of Air Monitoring
and Mobile Sources

SFV/pg

cc: Mr. Lynn Robinson, Hillsborough County

RECEIVED

JUN 16 2008

Bureau of Air, Multidisciplinary & Mobile Sources

CONCRETE BATCHING PLANT
AIR GENERAL PERMIT REGISTRATION FORM

Part II. Notification to Permitting Office
(Detach and submit to appropriate permitting office; keep copy onsite)

Instructions: To give notice to the Department of an eligible facility's intent to use this air general permit, the owner or operator of the facility must detach and complete this part of the Air General Permit Registration Form and submit it to the appropriate Department of Environmental Protection or local air pollution control program office which has permitting authority. Please type or print clearly all information, and enclose the appropriate air general permit registration processing fee pursuant to Rule 62-4.050, F.A.C. (\$100 as of the effective date of this form)

7775209-002

Registration Type

Check one:

INITIAL REGISTRATION - Notification of intent to:

- Construct and operate a proposed new facility.
- Operate an existing facility not currently using an air general permit (e.g., a facility proposing to go from an air operation permit to an air general permit).

RE-REGISTRATION (for facilities currently using an air general permit) - Notification of intent to:

- Continue operating the facility after expiration of the current term of air general permit use.
- Continue operating the facility after a change of ownership.
- Make an equipment change requiring re-registration pursuant to Rule 62-210.310(2)(e), F.A.C., or any other change not considered an administrative correction under Rule 62-210.310(2)(d), F.A.C.

FACILITY ID # 7775209

Surrender of Existing Air Operation Permit(s) - For Initial Registrations Only

If the facility currently holds one or more air operation permits, such permit(s) must be surrendered by the owner or operator upon the effective date of this air general permit. In such case, check the first-box, and indicate the operation permits being surrendered. If no air operation permits are held by the facility, check the second box.

- All existing air operation permits for this facility are hereby surrendered upon the effective date of this air general permit; specifically permit number(s): _____
- No air operation permits currently exist for this facility.

General Facility Information

Facility Owner/Company Name (Name of corporation, agency, or individual owner who or which owns, leases, operates, controls, or supervises the facility.)

Hayward Baker 6850 Benjamin Road
Tampa, FL 33634

Site Name (Name, if any, of the facility site; e.g., Plant A, Metropolis Plant, etc. If more than one facility is owned, a registration form must be completed for each.)

Hayward Baker

Facility Location (Provide the physical location of the facility, not necessarily the mailing address.)

Street Address: 6850 Benjamin Rd
City: Tampa, FL County: Hillsborough Zip Code: 33634

Facility Start-Up Date (Estimated start-up date of proposed new facility.)(N/A for existing facility)

N/A

Owner/Authorized Representative

<u>Name and Position Title</u> (Person who, by signing this form below, certifies that the facility is eligible to use this air general permit.) Print Name and Title: DEAN A. ELLIOTT / OPERATIONS MGR		
<u>Owner/Authorized Representative Mailing Address</u> Organization/Firm: Hayward Baker Street Address: 6890 Benjamin Rd City: Tampa, FL County: Hillsborough Zip Code: 33634		
<u>Owner/Authorized Representative Telephone Numbers</u> Telephone: (813) 884-3441 Fax: (813) 884-3820 Cell phone (optional):		

Facility Contact (If different from Owner/Authorized Representative)

<u>Name and Position Title</u> (Plant manager or person to be contacted regarding day-to-day operations at the facility.) Print Name and Title:		
<u>Facility Contact Mailing Address</u> Organization/Firm: Street Address: City: County: Zip Code:		
<u>Facility Contact Telephone Numbers</u> Telephone: Fax: Cell phone (optional):		

Owner/Authorized Representative Statement

This statement must be signed and dated by the person named above as owner or authorized representative

I, the undersigned, am the owner or authorized representative of the owner or operator of the facility addressed in this Air General Permit Registration Form. I hereby certify, based on information and belief formed after reasonable inquiry, that the facility addressed in this registration form is eligible for use of this air general permit and that the statements made in this registration form are true, accurate and complete. Further, I agree to operate and maintain the facility described in this registration form so as to comply with all applicable standards for control of air pollutant emissions found in the statutes of the State of Florida and rules of the Department of Environmental Protection and revisions thereof.

I will promptly notify the Department of any changes to the information contained in this registration form.

Signature: DA Elliott Date: 6.2.08

Type of Facility

Check one:

<input type="checkbox"/> Stationary Facility	<input checked="" type="checkbox"/> Relocatable Facility
--	--

Type(s) of Reasonable Precautions Used to Prevent Unconfined Emissions

Check all precautions to be used for the management of roads, parking areas, stock piles and yards:

<input type="checkbox"/> Pave Roads	<input type="checkbox"/> Pave Parking Areas	<input type="checkbox"/> Pave Yards
<input type="checkbox"/> Maintain Roads/Parking/Yards	<input type="checkbox"/> Use Water Application	<input type="checkbox"/> Use Dust Suppressant
<input type="checkbox"/> Remove Particulate Matter	<input type="checkbox"/> Reduce Stock Pile Height	<input type="checkbox"/> Install Wind Breaks

Check all precautions to be used for the management of drop points to trucks:

<input type="checkbox"/> Spray Bar	<input type="checkbox"/> Chute	<input type="checkbox"/> Enclosure
	<input type="checkbox"/> Partial enclosure	

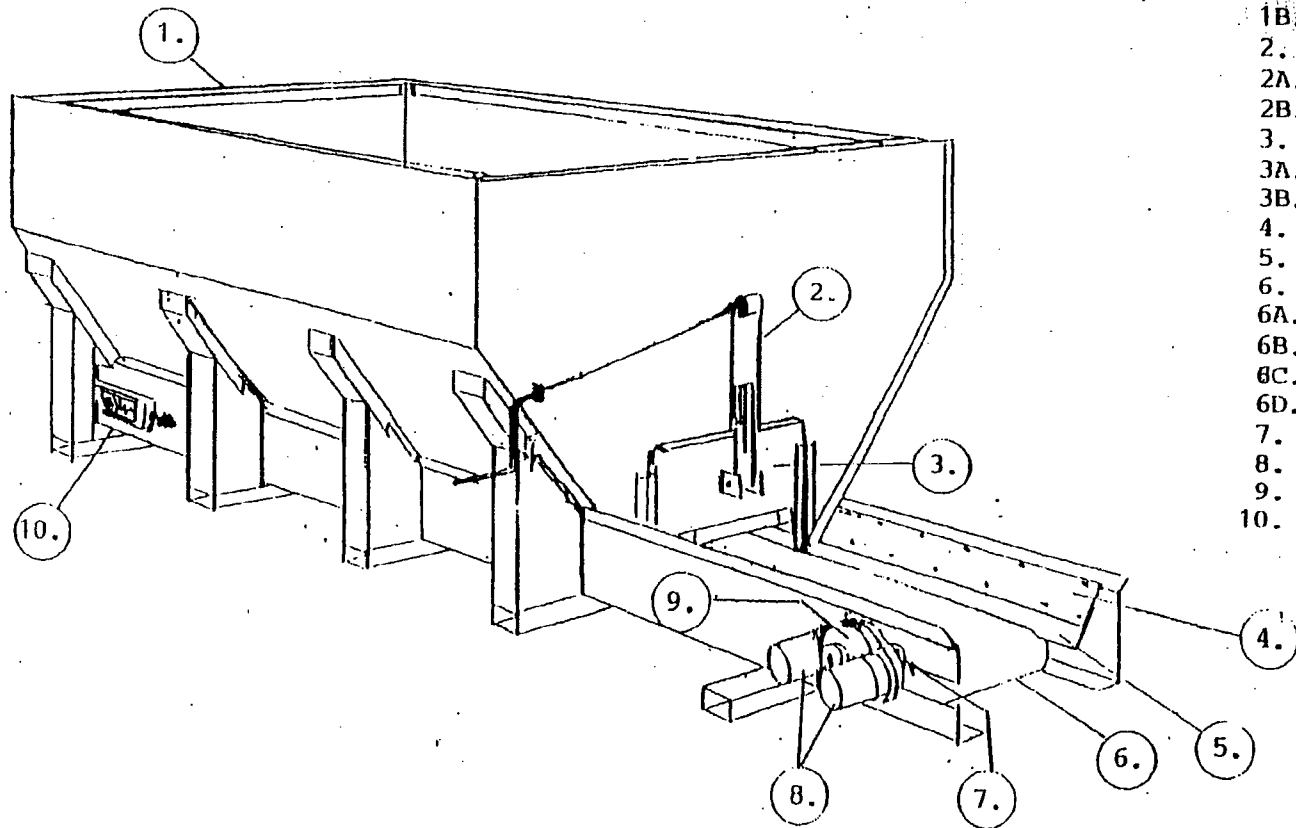
Description of Reasonable Precautions

Below, or as an attachment to this form, provide details of all types of reasonable precautions to be used to prevent unconfined emissions at the facility.

[Empty box for description of precautions]

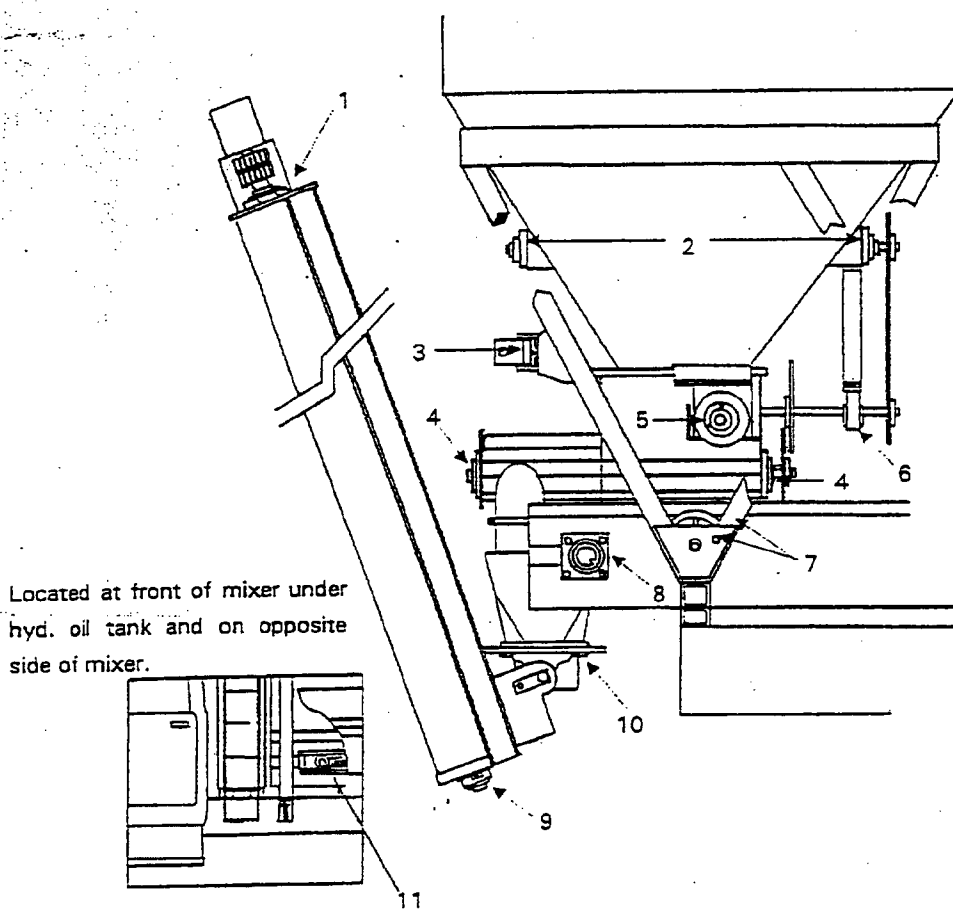
Description of Facility

Below, or as an attachment to this form, provide a description of the concrete batching plant operations at the facility in sufficient detail to demonstrate the facility's eligibility for use of this air general permit and to provide a basis for tracking any future equipment or process changes at the facility. Describe all air pollutant-emitting processes and equipment at the facility, and identify any air pollution control measures or equipment used.



NO.	DESCRIPTION	PART NO.
1	AGGREGATE BIN	SP0022
1A.	PAN	SP0023
1B.	PAN PLASTIC	700251
2.	HYV. GATE JACK	700107
2A.	HANDLE	700107A
2B.	RULE	700221
3.	30" GATE	700235A
3A.	RT. GATE GUIDE	700229
3B.	LT. GATE GUIDE	700230
4.	SIDE WIPER/RETAIN	700258
5.	SIDE WIPE	700142
6.	30" CONV. 5H/141L	700118A
6A.	RUBBER 30"	700118
6B.	BOLT-ON SPLICE	700141
6C.	FR. CONV. SHAFT	700134A
6D.	RR. CONV. SHAFT	700135A
7.	RR. CONV. BEARING	700108
8.	1105 HYD. MOTOR	100105
9.	2HOLE GEARBOX	700100
10.	CONV. TAKE-UP	700110

GREASE FITTING LOCATION CHART



Located at front of mixer under hyd. oil tank and on opposite side of mixer.

FREQUENCY CHART	2 - 3 TIMES DAILY	DAILY	EVERY 2 - 3 DAYS
1. TOP AUGER BEARING **	X		
2. AGITATOR BEARING			X
3. CLEVIS HITCH			X
4. METERING WHEEL AUGER BEARING		X	
5. CLUTCH HUB			X
6. METERING WHEEL PILLOW BLOCK			X
7. ADMIX SHAFT (TUBE TYPE) INSIDE & OUTSIDE BEARINGS			X
8. CONVEYOR BEARINGS (2 BEARINGS / 1 EA. SIDE)		X	
9. BOTTOM AUGER BEARING **	X	X	X
10. BOWL RINGS			X
TOP 3 PLACES			X
CENTER 2 PLACES			X
BOTTOM 3 PLACES			X
11. FRONT CONVEYOR TAKE-UP			X
** AUGER BEARINGS SHOULD BE GREASED TWO OR THREE TIMES DAILY, DEPENDING ON USAGE, AND AT THE END OF EACH DAY WITH AUGER ROTATION AT MINIMUM RPM.			

**BELGRADE
STEEL TANK**



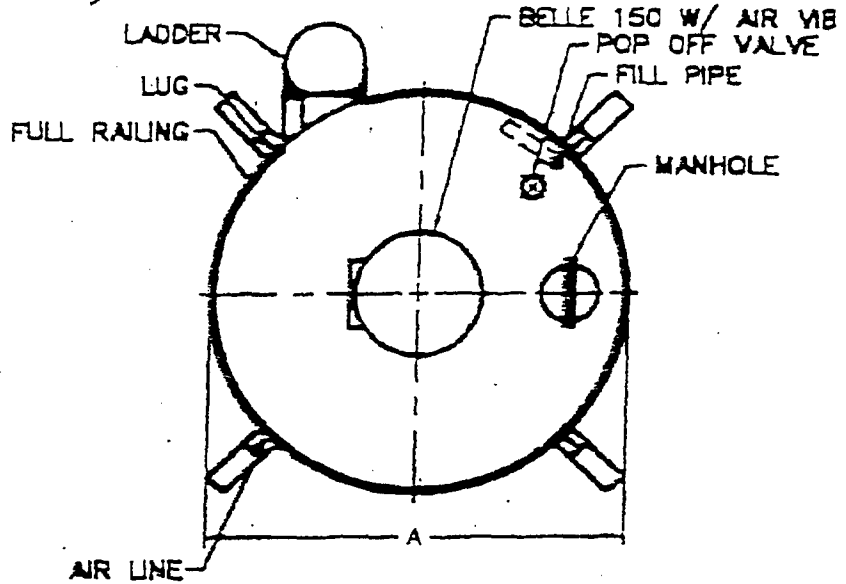
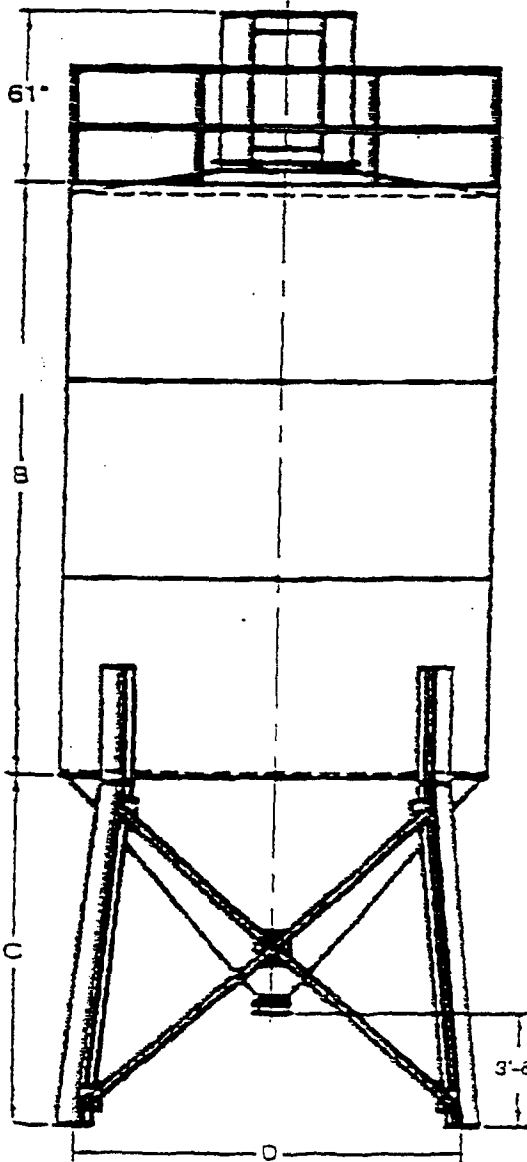
405 Lowery Ave. • Box 68
Belgrade, Minnesota 56312

Phone: (320) 254-8246 • FAX: (320) 254-3458



Attn: Doyle

KEEP FOR FILE (SILOS)



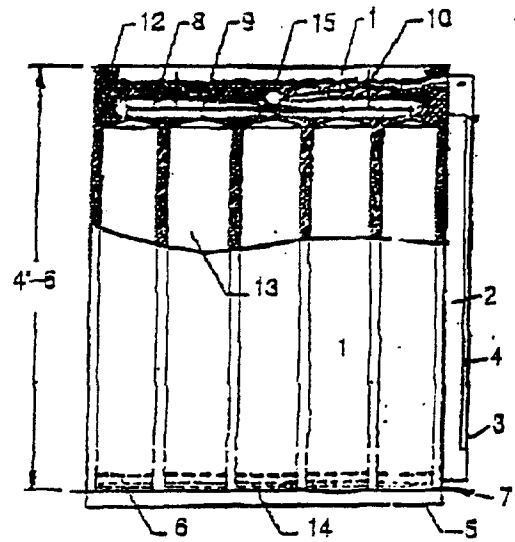
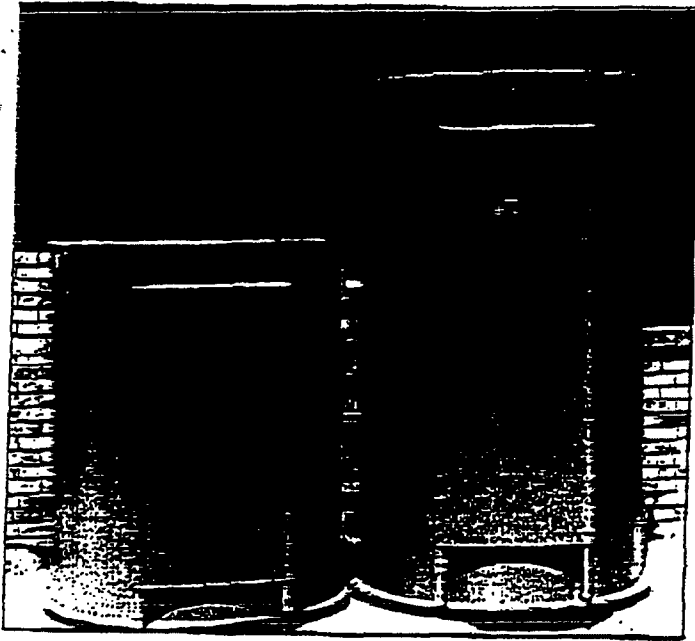
Belgrade Basic Silos: Standard Equipment

- Legs w/3'6" clearance under discharge
- Outside Ladder w/Cage
Opt. inside ladder
- Full railing
- 4" Blower pipe w/adaptor
Optional 5" Blower pipe
- 150 Sq. Ft. Dust House
w/air vibrator & pop-off valve
Optional 225 Sq. Ft.
- Vibrator Air Line
- Man hole
- 8 External Air Pads
- Standard Jam Gates
- Sand Blast, Prime and
Painted Standard Colors
white-grey-tan-cat yellow

Brt	A	B	C	D	Wt.
225	8'6"	15'0"	8'6"	7'8"	6000#
300	8'6"	20'0"	8'6"	7'8"	7000#
350	10'0"	18'0"	9'6"	9'4"	9000#
450	10'8"	18'0"	9'10"	9'10"	10000#
550	10'8"	24'0"	9'10"	9'10"	13000#
700	12'0"	24'0"	10'6"	11'0"	15000#
900	12'0"	30'0"	10'6"	11'0"	17000#
1050	12'0"	36'0"	10'8"	11'0"	21000#

Geo Thompson 320-254-3246

BELLE STYLE DUST HOUSE



**SQUARE FT.
BAG AREA**

CAP. CEMENT

150
225

375 C.F.M.
675 C.F.M.

Parts List

	150 Sq. Ft.	225 Sq. Ft.
1. Housing	4'6" x 10' x 14 Ga.	6'6" x 10' x 14 Ga.
2. Door Frame	4'4" x 4 1/2" x 12 Ga.	6'4" x 4 1/2" x 12 Ga.
3. Door Frame Screw (2)	21" x 4 3/4" x 12 Ga.	same
4. Door	42" x 24" x 14 Ga.	60" x 24" x 14 Ga.
5. Mating Flange	2" x 2" x 3/16 Angle 44" Diameter	Same
6. Sock Holders	8" Diameter - 18 Pcs.	same
7. Base	48" Dia. x 10 Ga.	same
8. Shaker Plate	36" Dia. x 12 Ga.	same
9. Open Eye Bolt	1/4" x 3" - 18 Pcs.	same
10. Suspension Bolts (4)	3/8" x 5" Hex	same
11. Suspension Bar Ass'm	Angle Iron Support	same
12. Cover	47" Dia. x 14 Ga.	same
13. Polyester Socks	(18) 4' x 8" Dia.	(18) 6' x 8" Dia.
14. Band Clamps	18 Required	same
15. Vibrator	VS 190	same

Cpt: Single Phase Electric Vibrator

"Belle" Filter Stock Specifications

Style	PE 37
Fiber	100% Polyester
Weight	9 oz./Sq. Yd.
Construction	Spun/Spun
Count	100W x 80F
Air Permeability	20-30 C.F.M.
Mullen Burst	500 PSI
Tensile Strength	Warp Direction 300# Fill Direction 275#
Thermal Stability	2% Max. 300 Degrees F
Max Operating Temp	275 Degrees F
Efficiency	99.95%

Operation Recommendations

Air Pressure: Do not run vibrator over 80 PSI. Too low air pressure and lack of adequate air supply (too small line to vib.), however, is one of the primary causes for poor performance of air vibrators. For example, 80 PSI at 50 CFM through 150' of 1/2" hose or pipe will lose more than 30 lbs. of pressure due to friction loss. Fittings and bends in the line and other obstructions will also reduce the air pressure. A general rule for estimating compressor output is 5 CFM to 1 HP compressor.

SECTION 1: GENERAL FACILITY INFORMATION

Does the facility have a current air quality permit? [Yes / No]; If Yes, permit number _____

Facility Rated Capacity [cubic yards per hour] _____ (not to exceed 326 yd³/hr)

Does the facility operate non-exempt air emission sources outside of the concrete batch plant as defined in the instructions? (see 15A NCAC 2Q .0102 for list of exempt activities) [Yes / No] If the facility does operate any non-exempt activities please contact your Air Quality Regional Office.

SECTION 2: CONTROL DEVICE PARAMETERS

Fabric Filter Parameters	Controlled Sources		
	Cement Silo	Flyash Silo	Weigh Hopper
Manufacturer	Belgrade		
Square Feet of Filter Area	150.5 sq ft.		
Estimated Inlet Flow Rate (ACFM)	375 C.F.M		
Filter Material	PE 37 100% Polyester		
Cleaning Procedure: (mechanical, reverse flow, air pulse, bag collapse, or other (describe))	Vibrator		

SECTION 3: OTHER AIR EMISSION REDUCTION ACTIVITIES

Does the facility operate any air emission controls not specified above? [Yes / No] If so, please specify the emission source and the control device(s). _____

Describe any additional air pollution activities taking place at the facility which have not already been addressed: _____

This application must include the attached "Specific Emission Source Reduction and Recycling" form as required pursuant to North Carolina General Statute 143-215.108(g).

The permittee should request renewal of the permit at least ninety (90) days prior to its expiration. Operation of the facility without a valid air permit could result in enforcement action pursuant to NCGS 143-215.108.

I certify that I am familiar with the information contained in this application and that to the best of my knowledge and belief such information is true, complete, and accurate.

Printed Name of Responsible Company Official _____

Title _____

Date Application Signed _____

Signature of Applicant _____

Emissions Unit(s) Description

The emission unit consists of a mobile concrete mixer and associated silo with baghouse to produce concrete from specific on-site locations.

Cement is loaded into a silo through a hose and pipe discharging into the top of the silo. A baghouse controls emissions during the loading operation.

The cement is then loaded from the silo to the weigh batcher by a screw auger; the system is closed and does not generate dust.

The correct weight of cement is then fed from the weigh batcher to the mixer, which contains water, thoroughly mixed, and removed for use.

Surrender of Existing Air Permit(s) except Air General Permits (do not complete for renewal notifications)

Check one:

- I hereby surrender all existing air permits authorizing operation of the facility indicated on this form; specifically permit number(s) _____.
- No air permits currently exist for the operation of the facility indicated on this form.

Owner/Authorized Representative Statement

I, the undersigned, am the owner or authorized representative of the owner or operator of the facility addressed in this Air General Permit Notification Form. I hereby certify, based on information and belief formed after reasonable inquiry, that the statements made in this notification are true, accurate and complete. Further, I agree to operate and maintain the facility and any air pollution control equipment described in this notification so as to comply with all applicable standards and requirements for control of air pollutant emissions found in the statutes of the State of Florida and rules of the Department of Environmental Protection and revisions thereof.

I will promptly notify the Department of any changes to the information contained in this notification.

Signature

Date

6/10/03

Hayward Baker Inc.
2300 W. Sample Road, Suite 102
Pompano Beach, FL 33073

Tel: 954-977-8117
Fax: 954-977-8121

**HAYWARD
BAKER**
Geotechnical Construction

June 10, 2008

Sandy Bowman
Division of Air Resource Management
FDEP/Receipts
PO Box 3070
Tallahassee, FL 32315-3070

Dear Ms. Bowman:

Enclosed are (2) Concrete Batching Plant Air General Permit Registration Forms for concrete batching plants #7775209 & 7775211. If you have any questions or need further assistance, please feel free to call me at (813) 884-3441.

Sincerely
HAYWARD BAKER INC.



Erika Meyer
Administrative Assistant

EM/

enc.



**Florida Department of Environmental Protection
Cash Receiving Application (CRA)
Cashlisting by Deposit #: 281721 thru 281721
Printed: 6/13/2008 4:28:02 PM - Page 8**

Cashlisting: 69062 Cashlist Area: 3755 Description: DIV OF AIR RESOURCES MGMT.
Deposit No: 281721 Date Deposited: 06/13/2008 Contact: E. WALKER

Object	Transmittal	Dep DDN	Receipt Number	Pre-Numbered Receipt	Name	Check Number	Payment Amount	Reference Account	Payment Number	Remittance Number	Fund	Grant
002272	48975	483933	628217		HAYWARD BAKER, INC	1482	\$100.00	7775211	885895	785598	PFTF	
	48975	483933	628217		HAYWARD BAKER, INC	1482	\$100.00	7775209	885896	785598	PFTF	
Object Code 002272 Subtotal:							\$200.00					
002278	48975	483926	628210		HARMAC, INC	23442	\$400.00	48664	885890	785591	APCTF	
Object Code 002278 Subtotal:							\$400.00					
Cashlisting 69062 Total:							\$600.00					

*6/19/2008-CCB
7775209-002*

Hayward Baker, Inc
FDEP/Receipts
90201 200 2

6/10/2008

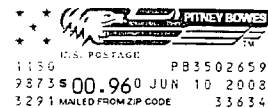
1482

200.00

Checking

Renewal of concrete batching plants 7775209, 77752

200.00



**HAYWARD
BAKER**

Geotechnical Construction

6850 Benjamin Road
Tampa, FL 33634-4416

Sandy Bowman
Division of Air Resource Management
FDEP/Receipts
PO Box 3070
Tallahassee, FL 32315-3070

