

**HUMAN CREMATORY
AIR GENERAL PERMIT REGISTRATION FORM**

Part II. Notification to Permitting Office

(Detach and submit to appropriate permitting office; keep copy onsite)

Instructions: To give notice to the Department of an eligible facility's intent to use this air general permit, the owner or operator of the facility must detach and complete this part of the Air General Permit Registration Form and submit it to the appropriate Department of Environmental Protection or local air pollution control program office which has permitting authority. Please type or print clearly all information, and enclose the appropriate air general permit registration processing fee pursuant to Rule 62-4.050, F.A.C. (\$100 as of the effective date of this form)

Registration Type

Check one:

INITIAL REGISTRATION - Notification of intent to:

- Construct and operate a proposed new facility.
 Operate an existing facility not currently using an air general permit (e.g., a facility proposing to go from an air operation permit to an air general permit).

RE-REGISTRATION (for facilities currently using an air general permit) - Notification of intent to:

- Continue operating the facility after expiration of the current term of air general permit use.
 Continue operating the facility after a change of ownership.
 Make an equipment change requiring re-registration pursuant to Rule 62-210.310(2)(e), F.A.C., or any other change not considered an administrative correction under Rule 62-210.310(2)(d), F.A.C.

Surrender of Existing Air Operation Permit(s) - For Initial Registrations Only

If the facility currently holds one or more air operation permits, such permit(s) must be surrendered by the owner or operator upon the effective date of this air general permit. In such case, check the first box, and indicate the operation permits being surrendered. If no air operation permits are held by the facility, check the second box.

- All existing air operation permits for this facility are hereby surrendered upon the effective date of this air general permit; specifically permit number(s): _____
 No air operation permits currently exist for this facility.

General Facility Information

Facility Owner/Company Name (Name of corporation, agency, or individual owner who or which owns, leases, operates, controls, or supervises the facility.)

CL Page Mortuary, Inc.

Site Name (Name, if any, of the facility site; e.g., Plant A, Metropolis Plant, etc. If more than one facility is owned, a registration form must be completed for each.)

Facility Location (Provide the physical location of the facility, not necessarily the mailing address.)

Street Address: 3031 Moncrief Road

City: Jacksonville

County: Duval

Zip Code: 32209 - 4331

Facility Start-Up Date (Estimated start-up date of proposed **new** facility.) (N/A for existing facility)

July 2012

Design Calculations

If this is an initial registration for a proposed new human crematory unit, provide design calculations to confirm a sufficient volume in the secondary chamber combustion zone to provide for at least a 1.0 second gas residence time at 1800 degrees F.

- Manufacturer's' design calculations attached.
- Registration is not for proposed new human crematory unit(s).

Description of Facility

Below, or as an attachment to this form, provide a description of all crematory operations at the facility in sufficient detail to demonstrate the facility's eligibility for use of this air general permit and to provide a basis for tracking any future equipment or process changes at the facility. Describe all air pollutant-emitting processes and equipment at the facility, and identify any air pollution control measures or equipment used.

**CALCULATIONS FOR PRODUCTS OF COMBUSTION
AND RESIDENCE TIME FOR 100 LB/hr
TYPE IV WASTE. C-1000 CREMATORY**

PROPANE

A. BASIS: 1 LB WASTE

1. $\frac{1 \text{ lb waste} \times 1000 \text{ Btu/lb waste} \times 15 \text{ lbs air}}{10,000 \text{ Btu}} = 1.5 \text{ lbs air}$
2. $\frac{1 \text{ lb waste} \times 0.10 \text{ lb combustible}}{1 \text{ lb waste}} = 0.10 \text{ lbs of combustibles}$
3. $\frac{1 \text{ lb waste} \times 0.85 \text{ lb H}_2\text{O} \times 1.6^*}{1 \text{ lb waste}} = 1.36 \text{ lbs of water}$
4. $\frac{6,500 \text{ Btu aux fuel}^{**} \times 23.8 \text{ cu ft air/cu ft fuel}}{2500 \text{ Btu/cu ft fuel} \times 13.35 \text{ cu ft air/lb air @ 70f}} = 4.64 \text{ lbs of air for aux fuel}$
5. $\frac{6,500 \text{ Btu aux fuel} \times 0.044 \text{ lb fuel/cu ft fuel}}{2500 \text{ Btu/cu ft fuel}} = 0.11 \text{ lb of aux fuel}$
6. Sum = PRODUCTS OF COMBUSTION (POC) = 7.71 lbs POC per lb waste @ 70f

B. RESIDENCE TIME @ 1600 F

1. $\frac{7.71 \text{ lbs POC/lbs waste} \times 51.89 \text{ cu ft / lb POC @ 1600f} \times 100 \text{ lbs waste / hr}}{3600 \text{ sec/hr}}$
 $= 11.11 \text{ cu ft / sec @ 1600 f} = 12.00 \text{ cu ft for 1 second residence time}$

RESIDENCE TIME @ 1800 F

2. $\frac{7.71 \text{ lbs POC/lbs waste} \times 56.93 \text{ cu ft /lb POC @ 1800f} \times 100 \text{ lbs waste / hr}}{3600 \text{ sec/hr}}$
 $= 12.19 \text{ cu ft / sec @ 1800f} = 13.00 \text{ cu ft for 1 second residence time}$

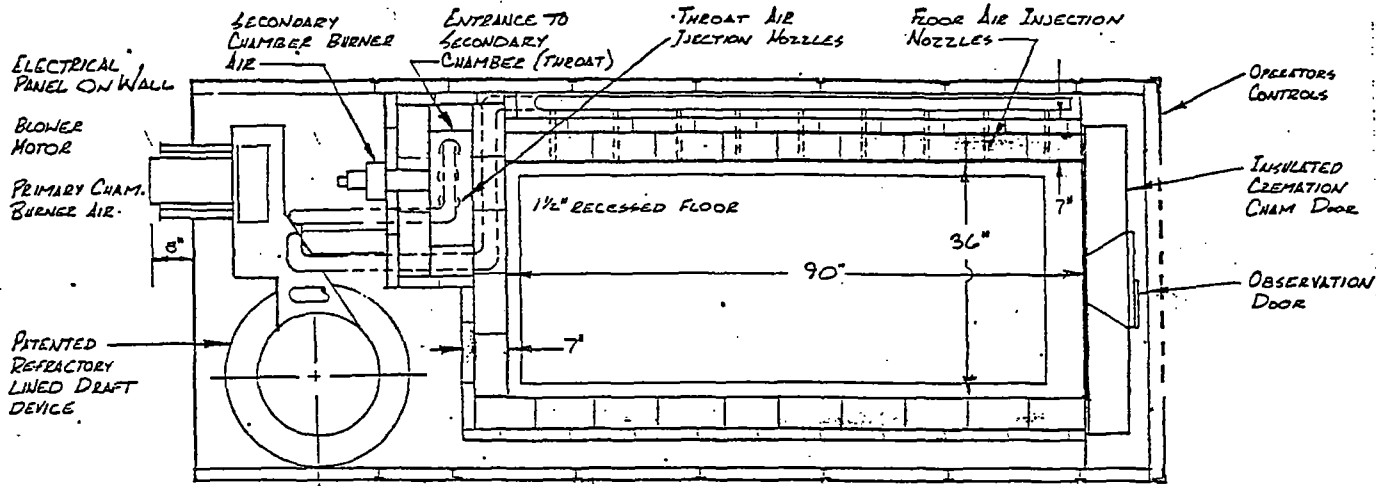
* Correction multiplier for dry air and water vapor

** Fuel is propane

Referances: Incinerator institute of America.
 North American Combustion Handbook
 Eclipse Combustion Engineering guide

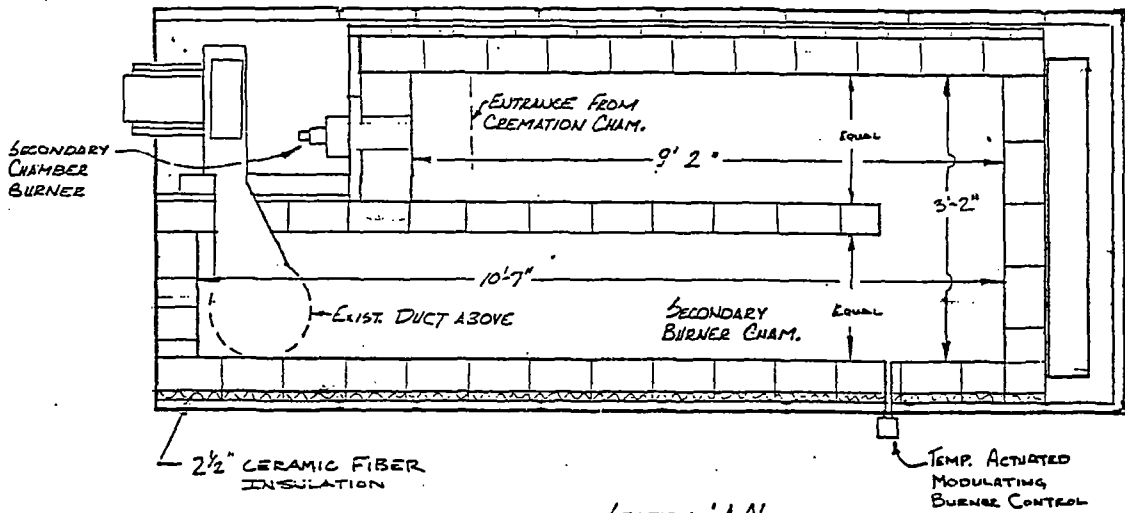
C. THERMOCOUPLE PLACEMENT.

Secondary chamber operating temperature at > or = to 1600f = 12.00 cu ft from flame tip.
 1800f = 13.00 cu ft from flame tip.



— SECTION 'BB' —

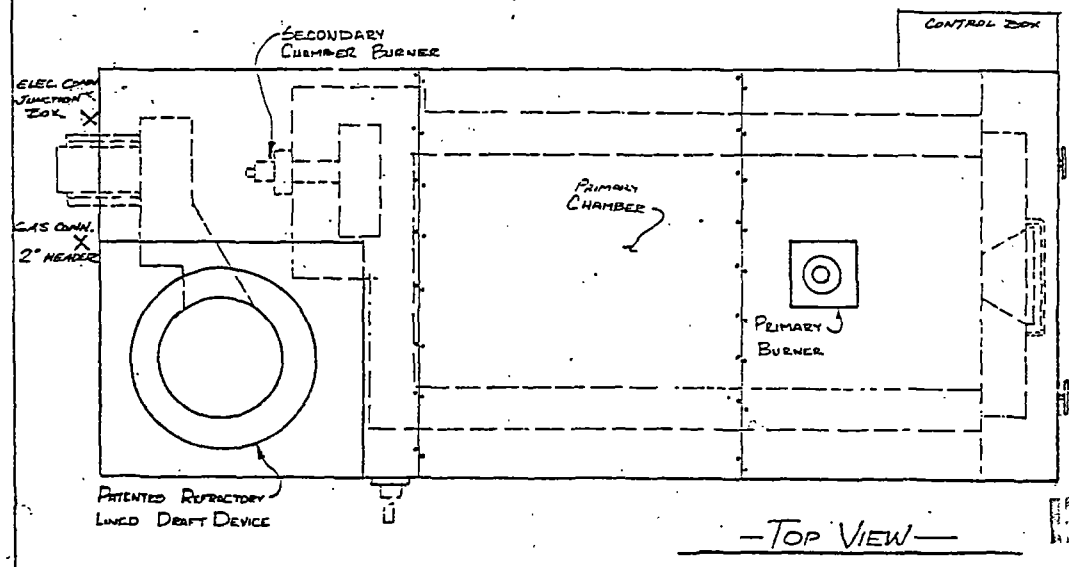
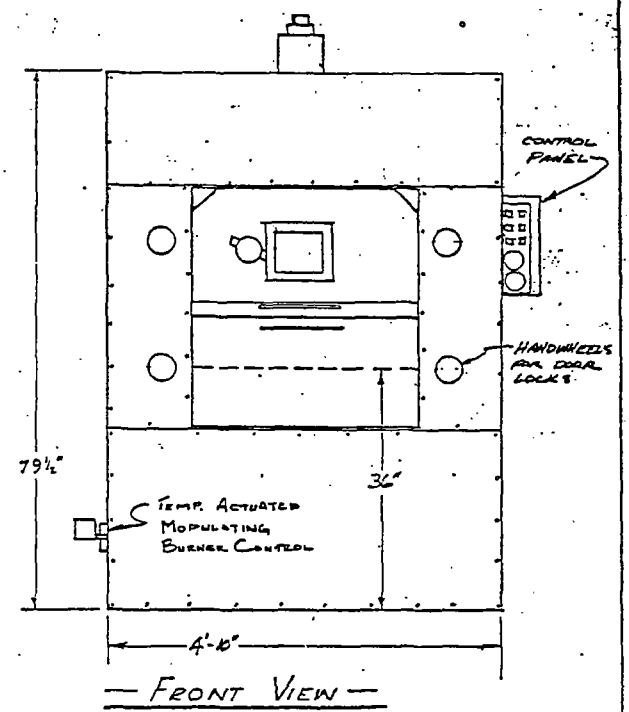
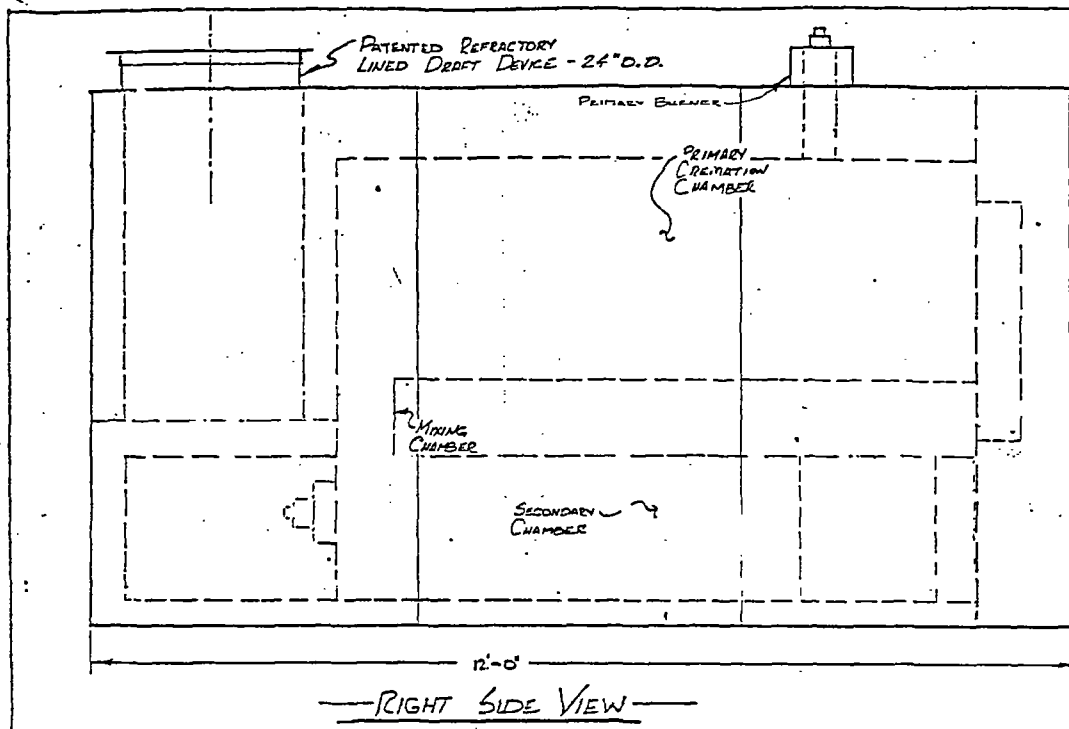
PROPRIETARY



— SECTION 'AA' —

INFORMATION

CRAWFORD INCINERATION CHAMBER	
02-25-52	DRAWN BY
CRAWFORD EQUIPMENT & ENGINEERING CO. PO BOX 13243 ORLANDO FL.	
CRAWFORD MODEL C1000 H	871000124

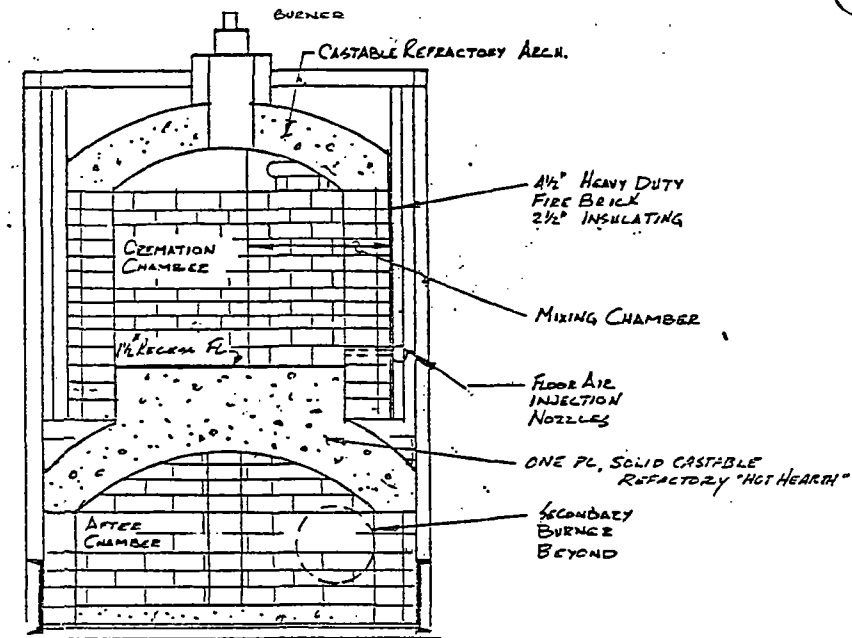


NOTE: This print is not to be copied or reproduced in any manner without written consent from Crawford Equipment and Engineering Company.

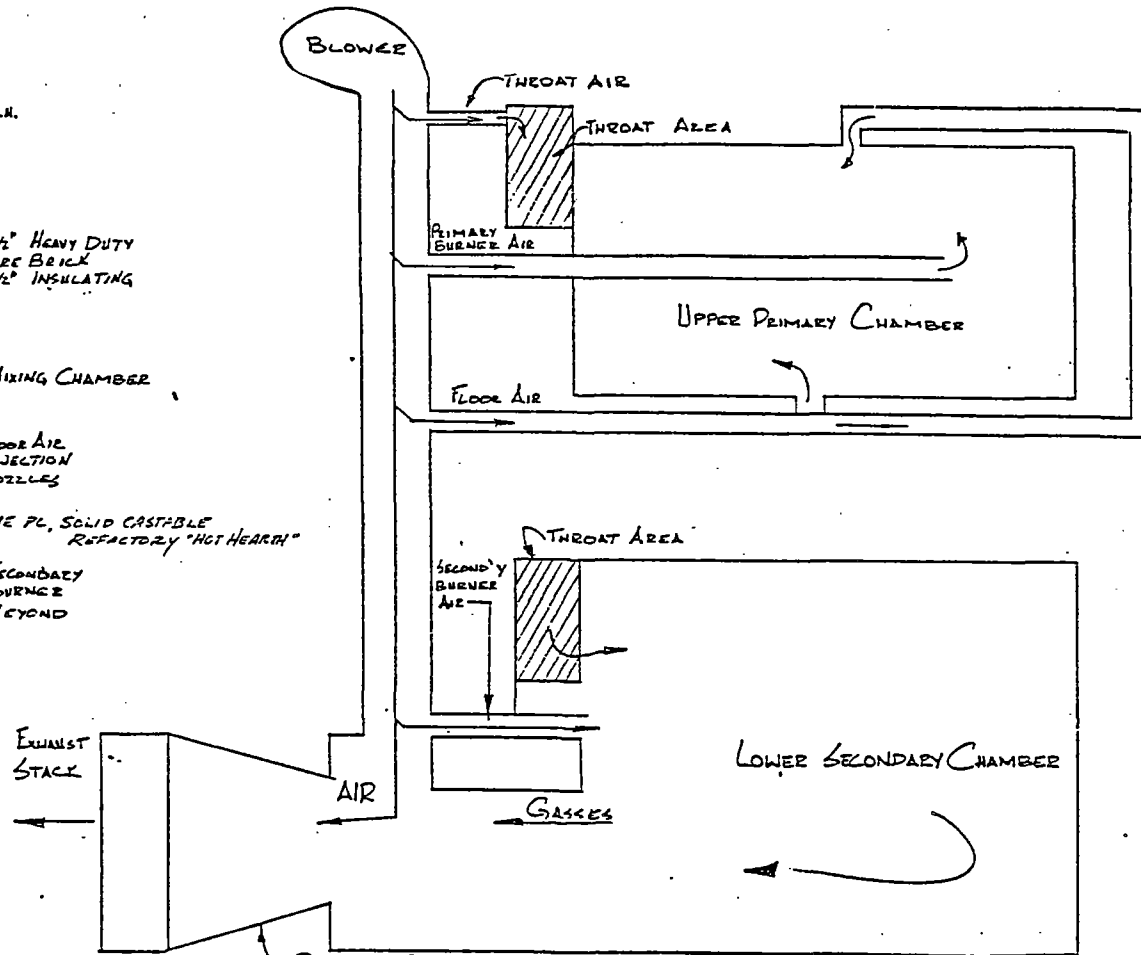
- ELECTRICAL:**
 CONTROL CIRCUIT 110V, 10 AMPS
 BLOWER 220/440, 230/460V, 3P, 20A
- COMBUSTION AIR:**
 MINIMUM ONE 21" x 21" LOUVER
 OUTSIDE AIR VENT REQ'D. FOR
 EACH UNIT.
- GAS REQUIREMENTS:**
 NATURAL GAS - 9" W.C. PRESSURE
 PROPANE GAS - 11" W.C. PRESSURE
 PRIMARY BURNER SIZE 350,000 BTU/Hr.
 SEC. BURNER SIZE 600,000 BTU/Hr.
 GAS REGULATOR 2,000,000 BTU/Hr. FLOW.

INFORMATION

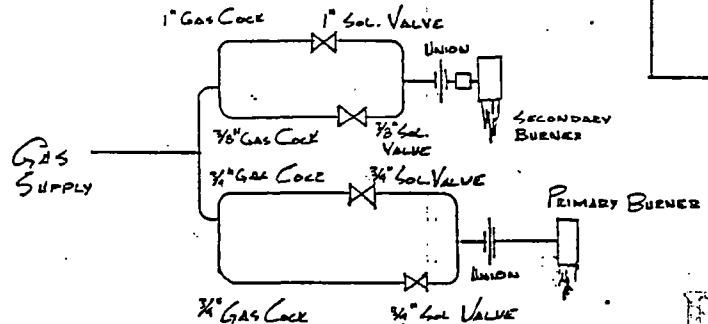
CRAWFORD INCINERATION CHAMBER		POST M.
CRAWFORD EQUIPMENT & ENGINEERING CO. P.O. BOX 13743 ORLANDO, FLORIDA.		
MODEL C 1000 H		871000 IHK



SECTION 'CC'



FLOW SCHEMATIC

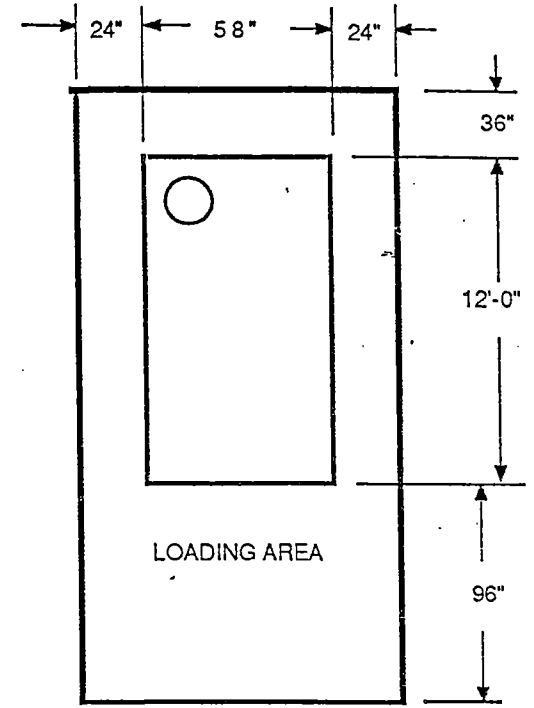
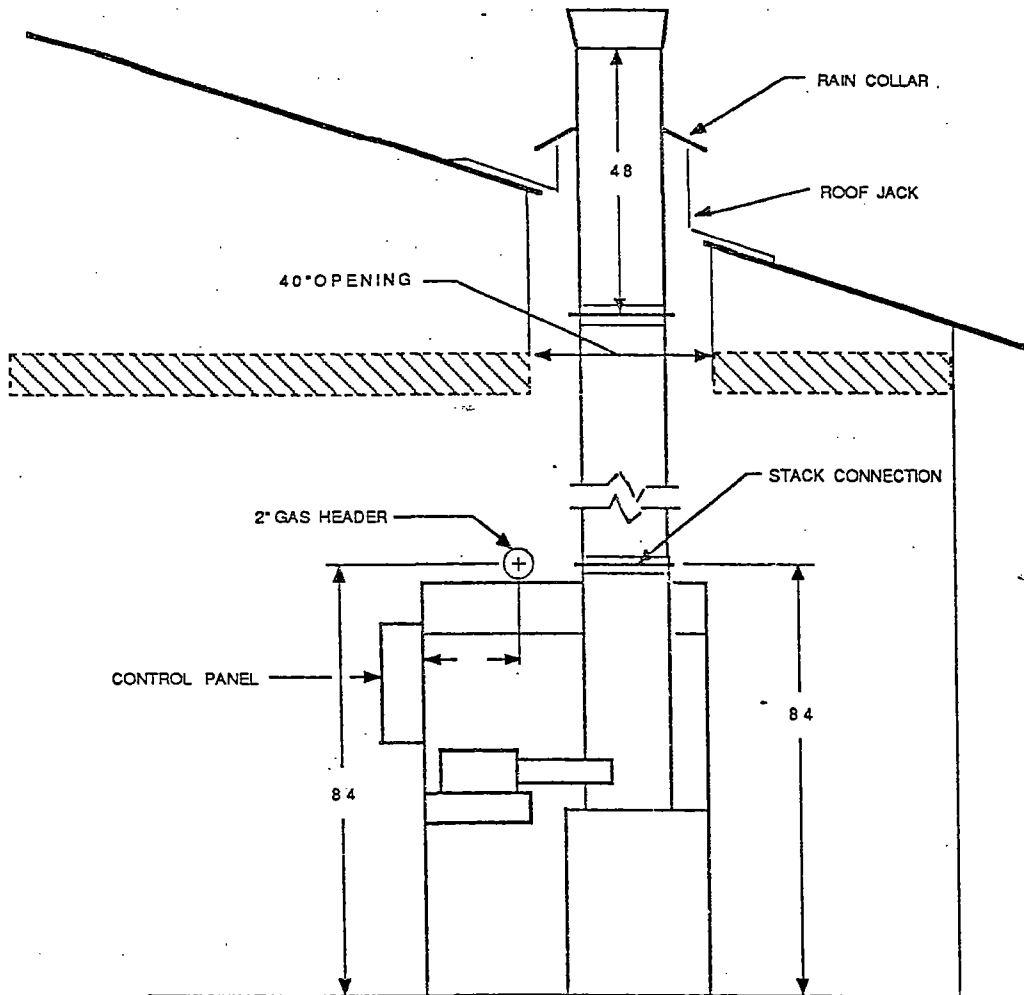


GAS FLOW DIAGRAM

PROPRIETARY

INFORMATION

CRAWFORD INCINERATION CHAMBER	
05-25-02	DESIGN R.M.
CRAWFORD EQUIPMENT & ENGINEERING CO. PO. BOX 13273 ORLANDO, FLA.	
CRAWFORD MODEL C1000H	87100013H



MINIMAL FLOOR PLAN CLEARANCES

NOTES : Per Underwriters Lab., Inc.; Minimum clearances to combustibles as follows:

- sides24"
- rear36"
- top18"
- stack8"

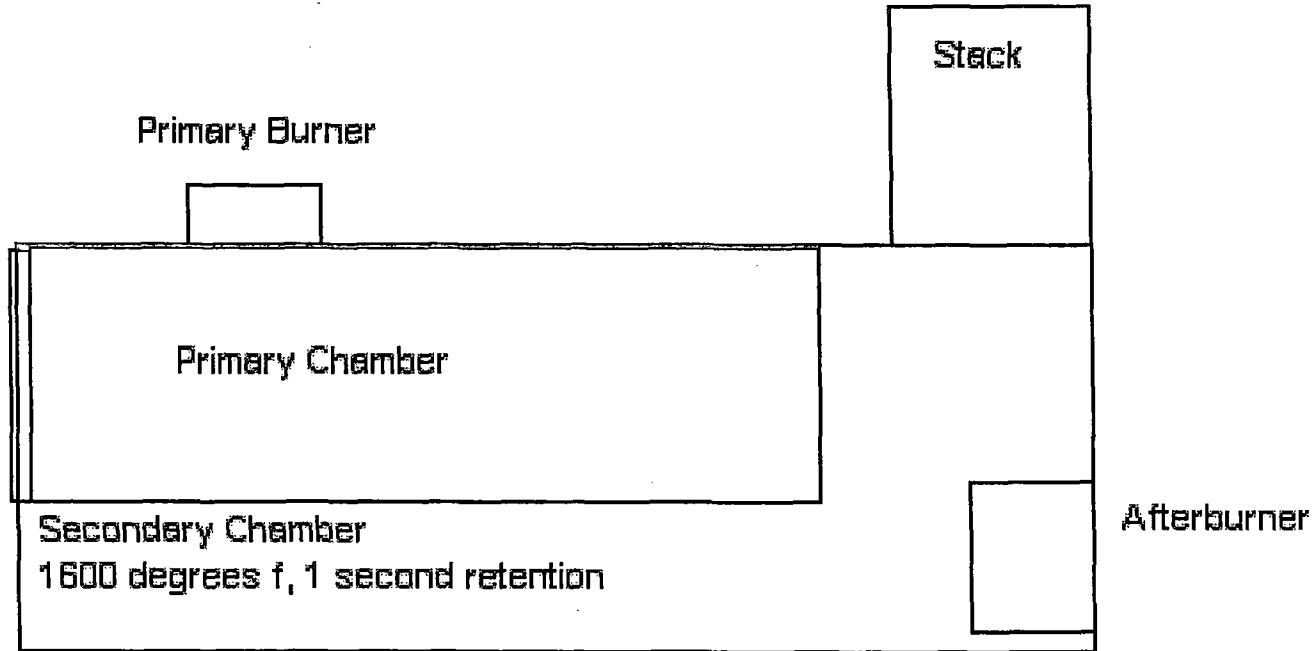
floor - noncombustible - load bearing to support 22,000 lbs.

* CONSULT LOCAL BUILDING CODES AND ORDINANCES FOR ANY RESTRICTIONS WHICH MAY APPLY

PROPRIETARY

CRAWFORD EQUIPMENT AND ENGINEERING CO., INC.		
C-1000H STACK INSTALLATION		
DATE: 5/88	BY: SDK	C-4

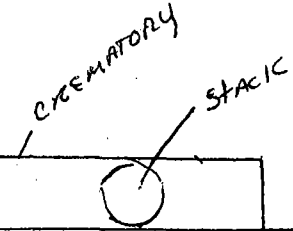
Process Flow Diagram



21ST ST. WEST

MANCIEFF ROAD

Abandon Building



VACANT LOT

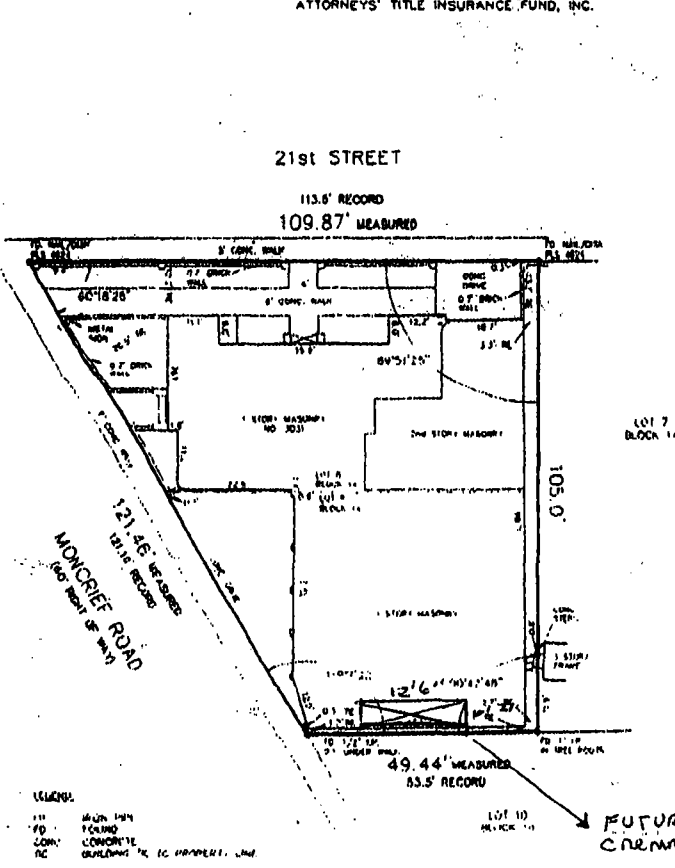
20TH ST WEST



MAP TO SHOW BOUNDARY SURVEY OF

LOTS 8 AND 9, BLOCK 14, C. W. KINNE'S REVISED PLAT OF RITCHEVILLE, ACCORDING TO PLAT THEREOF, RECORDED IN PLAT BOOK 8, PAGE 53 OF THE CURRENT PUBLIC RECORDS OF DUVAL COUNTY, FLORIDA.

FOR: CARLA L. PAGE, INC.
LAW OFFICE OF RICHARD T. DONATO, P.A.
TEMECULA VALLEY BANK, N.A.
ATTORNEYS' TITLE INSURANCE FUND, INC.



LEGEND:
 --- HIGHWAY
 --- FENCE
 --- CONCRETE
 --- BUILDINGS OR INCIDENTAL USE

- NOTES:
1. THE DESCRIPTION SHOWN HEREON WAS FURNISHED BY OTHERS.
 2. THIS SURVEY WAS MADE WITHOUT BENEFIT OF AN ABSTRACT OF THE JOHN DEERE INFORMATION.
 3. UNDERGROUND UTILITIES, OTHER SUBSURFACE IMPROVEMENTS, OR ENVIRONMENTAL CONDITIONS, IF ANY, WERE NOT LOCATED.
 4. THE EXISTENCE OF FOOTINGS OR FOUNDATIONS WERE NOT DETERMINED.
 5. FOUND CORNERS DO NOT HAVE IDENTIFICATION CAPS UNLESS OTHERWISE NOTED.
 6. THIS SURVEY IS FOR THE EXCLUSIVE USE OF THE PERSON(S) NAMED HEREON AND IS NOT INTENDED FOR ANY OTHER PARTY.

1109 NOTE
 1. CHANGE PLATTING OF PROPERTY SHOWN
 HEREON WAS MADE AS
 SCALED FROM FLUOR HYDRA-MAP 202 MAPS
 MAP DATE 06/10/1989
 1. COUNTY NO. 120022
 2. MAP NO. 183
 3. SHEET NO. 10120A

THIS MAP IS BEING FILED AND THE ORIGINAL FILED IN THE PUBLIC RECORDS OF DUVAL COUNTY, FLORIDA.
 FRANK JONES & ASSOCIATES
 LAND SURVEYORS AND LAND PLANNERS
 6015 CHESTER CIRCLE
 SUITE 203
 JACKSONVILLE, FLORIDA 32217
 TELEPHONE (904) 448-8624
 SURVEY DATE FEB 26, 2003 SCALE 1" = 20'
 ORDER NO. 03026 DRAWING NO. 273-4
 FIELD BOOK X149-3

FRANK JONES & ASSOCIATES
 LAND SURVEYORS AND LAND PLANNERS
 6015 CHESTER CIRCLE
 SUITE 203
 JACKSONVILLE, FLORIDA 32217
 TELEPHONE (904) 448-8624
 SURVEY DATE FEB 26, 2003 SCALE 1" = 20'
 ORDER NO. 03026 DRAWING NO. 273-4
 FIELD BOOK X149-3

10005

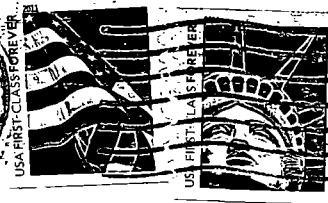
RECEIVED

MAY 15 2012

DIVISION OF AIR
RESOURCE MANAGEMENT

GPAGE
MORTUARY

3031 Monierel Road
Jacksonville, Florida 32209



Department of Enviromental Protection Receipts

P. O. Box 3070

Tallahassee, FL 32315-3070

Attn: Mr. Dick Dibble

3231533070 BO99

