

NONMETALLIC MINERAL PROCESSING (NMMP) PLANT (CRUSHER)
AIR GENERAL PERMIT
REGISTRATION INFORMATION

RECEIVED

April 2012

APR 10 2012

Facility Identification Number (If known)

0150055-005-AG: Re-registration of this permit (expires 04/07/2012) for 5-yr renewal.

NOTE: The Owner requests this facility be classified as Long Term Reserve Shutdown status, effective April 2012.

DIVISION OF AIR
RESOURCE MANAGEMENT

0150055-006

Registration Type

Check one:

INITIAL REGISTRATION - Notification of intent to:

- Construct and operate a proposed new facility.
- Operate an existing permitted facility not currently using an air general permit (e.g., a facility proposing to go from an air operation permit to an air general permit). If the facility currently holds one or more air operation permits, such permit(s) must be surrendered by the owner or operator upon the effective date of this air general permit. (See "Surrender of Existing Air Operation Permit(s)" below.)
- Operates an existing facility not currently permitted or using an air general permit.

RE-REGISTRATION (for facilities currently using an air general permit) - Notification of intent to:

- Continue operating the facility after expiration of the current term of air general permit use.
- Continue operating the facility after a change of ownership.
- Make an equipment change requiring re-registration pursuant to Rule 62-210.310(2)(e), F.A.C., or any other change not considered an administrative correction under Rule 62-210.310(2)(d), F.A.C.

Surrender of Existing Air Operation Permit(s) - For Initial Registrations Only, if Applicable - N/A

All existing air operation permits for this facility are hereby surrendered upon the effective date of this air general permit; specifically permit number(s):

General Facility Information

Facility Owner/Company Name (Name of corporation, agency, or individual owner who or which owns, leases, operates, controls, or supervises the facility.)

Florida C.R.I., Inc.

Site Name (Name, if any, of the facility site; e.g., Plant A, Metropolis Plant, etc. If more than one facility is owned, a complete registration must be submitted for each.)

Coral Rock

Facility Location (Physical location of the facility, not necessarily the mailing address.)

Street Address: 41451 Cook Brown Road
City: Punta Gorda

County: Charlotte

Zip Code: 33982 - 7727

Facility Start-Up Date (Estimated start-up date of proposed new facility.)(N/A for existing facility.)
N/A

FLORIDA DEPARTMENT OF ENVIRONMENTAL PROTECTION
2012 APR -6 AM 9:42
FINANCE & ACCOUNTING
REVENUE

0150055 – Re-Registration April 2012

Facility Contact

<u>Name and Position Title</u> (Plant manager or person to be contacted regarding day-to-day operations at the facility.) Print Name and Title: Bob Milhous, Manager, Coral Rock	
<u>Facility Contact Telephone Numbers</u> Telephone: (239) 543-5023 Fax: (239) 543-0954 Cell phone: (239) 370-2513	
<u>Facility Contact Mailing Address</u> Organization/Firm: Florida C.R.I., Inc. Street Address: 41451 Cook Brown Road City: Punta Gorda County: Charlotte Zip Code: 33982 - 7727 E-mail: hous486@aol.com	

Other Contact/Representative (to serve as additional Department contact)

<u>Name and Position Title</u> Print Name and Title: Gary Frommer, Vice President	
<u>Other Contact/Representative Telephone Numbers</u> Telephone: (239) 543-5023 Fax: (239) 543-0954 Cell phone: (239) 370-4047	
<u>Other Contact/Representative Representative Mailing Address</u> Organization/Firm: Florida C.R.I., Inc. Street Address: 41451 Cook Brown Road City: Punta Gorda County: Charlotte Zip Code: 33982 - 7727 E-mail: gfrommer7@aol.com	

Other Contact/Representative (to serve as additional Department contact)

<u>Name and Position Title</u> Print Name and Title: Mr. Lynn Robinson, P.E., Permitting Manager	
<u>Other Contact/Representative Telephone Numbers</u> Telephone: (813) 752-5014 Fax: (813) 752-2475 Cell phone: (813) 957-8804	
<u>Other Contact/Representative Representative Mailing Address</u> Organization/Firm: Southern Environmental Sciences, Inc. Street Address: 1204 North Wheeler Street City: Plant City County: FL Zip Code: 33563 E-mail: lrobinson@sesfla.com	

FLORIDA DEPARTMENT OF ENVIRONMENTAL PROTECTION
2012 APR -6 AM 9:42
FINANCE & ACCOUNTING REVENUE

0150055 – Re-Registration April 2012

Type of Facility

Check one: <input checked="" type="checkbox"/> Stationary Facility <input type="checkbox"/> Relocatable Facility

Type(s) of Precautions Used to Prevent Unconfined Emissions

Check all that apply for the management of roads, parking areas, stock piles and yards:		
<input type="checkbox"/> Maintain Roads/Parking/Yards	<input checked="" type="checkbox"/> Use Water Application	<input type="checkbox"/> Use Dust Suppressant
<input type="checkbox"/> Remove Particulate Matter	<input type="checkbox"/> Reduce Stock Pile Height	<input type="checkbox"/> Install Wind Breaks
Check the location of spray bars at the nonmetallic mineral processing plant:		
<input type="checkbox"/> Feeders	<input checked="" type="checkbox"/> Entrance to "Crusher"	<input type="checkbox"/> Exit of "Crusher"
<input type="checkbox"/> Classifier Screens	<input type="checkbox"/> Conveyor Drop Points	

Description of Facility

Below, or as an attachment to this form, provide a description of the nonmetallic mineral processing plant operations at the facility in sufficient detail to demonstrate the facility's eligibility for use of this air general permit and to provide a basis for tracking any future equipment or process changes at the facility. Describe material(s) processed, all air pollutant-emitting processes, and identify any air pollution control measures used. Mobile source equipment information is not needed (eg.: trucks, bulldozers, front-end loaders, etc.)

NOTE: See attached Facility Description, Equipment List, and Diagram.

The Coral Rock facility currently includes an aggregate processing plant with associated screening, classifying, conveying, and loading equipment. The plant has a capacity of 600 tons/hr. The facility previously included three (3) crushers. However, crushing is no longer performed.

Portions of the facility are subject to U.S. EPA rule 40 CFR 60, Subpart OOO – "Standards of Performance for Nonmetallic Mineral Processing Plants" or FDEP Rule 62-296.320(4)(b), F.A.C.

Water trucks and spraybars are used when necessary to control dust.

FLORIDA DEPARTMENT OF ENVIRONMENTAL PROTECTION
2012 APR -6 AM 9:42
FINANCE & ACCOUNTING REVENUE

April 2012
Air General Permit Renewal
Air ID No: 0150055
Site: Coral Rock
Owner/Company: Florida C.R.I., Inc.
Punta Gorda, Charlotte County

**FACILITY DESCRIPTION
AGGREGATE PROCESSING PLANT**

Material would be dumped into Primary Hopper (ZC00) via front end loader. The Grizzly Feeder (ZC01) would move material onto Rock 1 (ZC03). Material would then move up the conveyor and transfer onto Rock 2 (ZC04). Material would then transfer to the Surge Hopper (ZC05) and be moved onto the next conveyor with the Syntron Feeder (ZC06). Material then flows onto Rock 3 (ZC07) and then transfers onto DOT 1 Conveyor (ZC09). The material will then be dropped into Shaker 1 (ZC 72), where it will then be carried by conveyor (ZC20) to Shaker 2 (ZC 23). Material that passes through the shaker will be pumped via slurry pipe to Shaker 4 (ZC60) which will then go into the classifier (ZC61). Material will then go through the Sand Screws (ZC62) and transfer onto conveyor (ZC63).

Note: See attached Equipment List and Diagram.

FINANCE & ACCOUNTING
REVENUE

2012 APR -6 AM 9:42

FLORIDA DEPARTMENT OF
ENVIRONMENTAL PROTECTION

Air Permit ID: 0150055
Florida C.R.I., Inc.

Note: See attached Facility Description and Diagram.

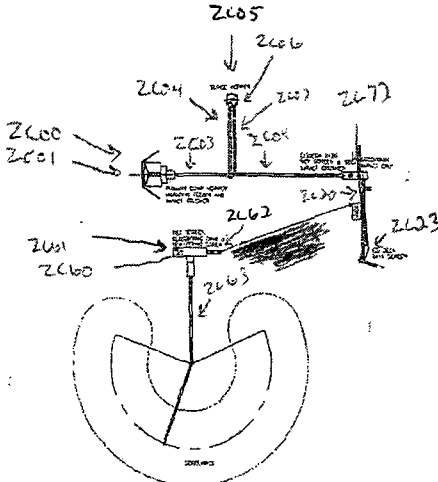
EQUIPMENT LIST

AGGREGATE PLANT (CORAL ROCK) (1982)

ZC00	NONE	N/A	N/A	PRIMARY HOPPERS
ZC01	64679	2005	VFGB-4219.5	DEISTER GRIZZLY FEEDER
ZC03	NONE		42" x 43'	CONVEYER - ROCK C-1
ZC04	NONE	R-2	42" x 130'	CONVEYER - ROCK C-2
ZC05	NONE	N/A	N/A	SURGE HOPPER
ZC06	653428-88	R-3	MF200B	SYNTRON FEEDER (SURGE HOPPER)
ZC07	NONE	N/A	36" x 127'	CONVEYER - ROCK C-3
ZC09	NONE	R-4	36" x 127'	CONVEYER - DOT 1
ZC20	N/A	DOT1	36" x 42'	CONVEYER - DOT 1
ZC23	388043	S-2	6' x 16'	SCREEN - DOUBLE DECK - S-2
ZC52	5729	UNK	6XBLCC20	6" SLURRY PUMP - SAND PLANT
ZC60	599106	S-4	UST 24-12	SCREEN - DOUBLEDECK - S-4 (4' x 12')
ZC61	11797	UNK	40' x 10'	CLASSIFIER - EAGLE IRON WORKS - SAND PLANT
ZC62		UNK	54" x 30'	SAND SCREW - DOUBLE - PORTEC
ZC63	N/A	N/A	30" x 200'	CONVEYOR - EAST
ZC72	960376	2003	BHM-3820	DEISTER SHAKER

FLORIDA DEPARTMENT OF
ENVIRONMENTAL PROTECTION
2012 APR -6 AM 9:42
FINANCE & ACCOUNTING
REVENUE

SHOCKPILE LAYOUT



Coral Rock Inc.
2007 Aggregate
Layout

PROJECT	2007 Aggregate Layout
DATE	12/1/07
BY	MSD
CHECKED BY	MSD
DATE	12/1/07

DATE	12/1/07	BY	MSD
DATE	12/1/07	BY	MSD

Southern Environmental Sciences, Inc.
1204 North Wheeler Street □ Plant City, Florida 33563 □ (813) 752-5014 □ Fax (813) 752-2475

RECEIVED

April 2012

APR 10 2012

To: Florida Department of Environmental Protection (FDEP)

DIVISION OF AIR
RESOURCE MANAGEMENT

If by Overnight Delivery (FedEx, etc.):	If by regular U.S. Postal Service mail:
Department of Environmental Protection Receipts 3800 Commonwealth Blvd. Mail Station 77 Tallahassee, FL 32399 32303 Phone: (850) 717-9000	Department of Environmental Protection Receipts PO Box 3070 Tallahassee, FL 32315-3070

Re: Air General Permit Renewal:
Non-Metallic Mineral Processing (NMMP) Facility
Permit No. 0150055-005-AG (expires 04/07/2012)
Facility FDEP Air ID No: 0150055
Owner/Company: Florida C.R.I., Inc.
Site Name: Coral Rock
Site Location: 41451 Cook Brown Road
Punta Gorda, FL 33955 Charlotte County

Gentlemen:


On behalf of Florida C.R.I., Inc., Southern Environmental Sciences, Inc. is pleased to submit the enclosed Re-Registration Information Form for the above referenced existing, previously permitted NMMP facility.

Also enclosed is a fee check in the amount of \$100.00.

If you have any questions concerning this permit application, please contact me at office phone (813) 752-5014 or email at: lrobinson@sesfla.com.

Sincerely,

SOUTHERN ENVIRONMENTAL
SCIENCES, INC.



Lynn Robinson, P.E.
Permitting Manager

Encl: Air General Permit Re-Registration Form (NMMP) and \$100.00 fee check
Ec: Gary Frommer, Email: gfrommer7@aol.com
Bob Milhous, Email: hous486@aol.com
Clark Leaming, Email: clarkl@betterroads.net
Joe Bonness, Email: ironjoe3@aol.com

FLORIDA DEPARTMENT OF
ENVIRONMENTAL PROTECTION
2012 APR -6 AM 9:42
FINANCE & ACCOUNTING
REVENUE