

Permit Application for Grout Plant

RECEIVED

CONCRETE BATCHING PLANT  
AIR GENERAL PERMIT REGISTRATION FORM

DEC 10 2010

Bureau of Air Monitoring  
& Mobile Sources

Part II. Notification to Permitting Office  
(Detach and submit to appropriate permitting office; keep copy onsite)

**Instructions:** To give notice to the Department of an eligible facility's intent to use this air general permit, the owner or operator of the facility must detach and complete this part of the Air General Permit Registration Form and submit it to the appropriate Department of Environmental Protection or local air pollution control program office which has permitting authority. Please type or print clearly all information, and enclose the appropriate air general permit registration processing fee pursuant to Rule 62-4.050, F.A.C. (\$100 as of the effective date of this form)

7775660-001

Registration Type

Check one:

**INITIAL REGISTRATION** - Notification of intent to:

- Construct and operate a proposed new facility.
- Operate an existing facility not currently using an air general permit (e.g., a facility proposing to go from an air operation permit to an air general permit).

**RE-REGISTRATION** (for facilities currently using an air general permit) - Notification of intent to:

- Continue operating the facility after expiration of the current term of air general permit use.
- Continue operating the facility after a change of ownership.
- Make an equipment change requiring re-registration pursuant to Rule 62-210.310(2)(e), F.A.C., or any other change not considered an administrative correction under Rule 62-210.310(2)(d), F.A.C.

Surrender of Existing Air Operation Permit(s) - For Initial Registrations Only

If the facility currently holds one or more air operation permits, such permit(s) must be surrendered by the owner or operator upon the effective date of this air general permit. In such case, check the first box, and indicate the operation permits being surrendered. If no air operation permits are held by the facility, check the second box.

- All existing air operation permits for this facility are hereby surrendered upon the effective date of this air general permit; specifically permit number(s): \_\_\_\_\_
- No air operation permits currently exist for this facility.

General Facility Information

Facility Owner/Company Name (Name of corporation, agency, or individual owner who or which owns, leases, operates, controls, or supervises the facility.)

Bouygues Civil Works Florida

Site Name (Name, if any, of the facility site; e.g., Plant A, Metropolis Plant, etc. If more than one facility is owned, a registration form must be completed for each.)

Port of Miami Tunnel Project

Facility Location (Provide the physical location of the facility, not necessarily the mailing address.)

Street Address: 1050 MacArthur Causeway

City: Miami

County: Miami-Dade

Zip Code: 33131 - 1413

Facility Start-Up Date (Estimated start-up date of proposed new facility.)(N/A for existing facility)

12/1/2010

**Owner/Authorized Representative**

Name and Position Title (Person who, by signing this form below, certifies that the facility is eligible to use this air general permit.)

Print Name and Title: Louis Brais, Project Executive

Owner/Authorized Representative Mailing Address

Organization/Firm: Bouyques Civil Works Florida  
Street Address: 1050 MacArthur Causeway  
City: Miami County: Miami-Dade Zip Code: 33131

Owner/Authorized Representative Telephone Numbers

Telephone: (305) 894-1800 Fax: (305) 374-8692  
Cell phone (optional):

**Facility Contact (If different from Owner/Authorized Representative)**

Name and Position Title (Plant manager or person to be contacted regarding day-to-day operations at the facility.)

Print Name and Title: Graham Smith, Permit Coordinator

Facility Contact Mailing Address

Organization/Firm: Bouyques Civil Works Florida  
Street Address: 1050 MacArthur Causeway  
City: Miami County: Miami-Dade Zip Code: 33131

Facility Contact Telephone Numbers

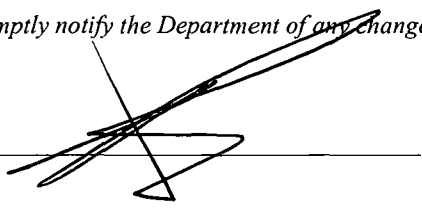
Telephone: (305) 894-1825 Fax: (305) 374-8692  
Cell phone (optional): 305-310-5899

**Owner/Authorized Representative Statement**

This statement must be signed and dated by the person named above as owner or authorized representative

*I, the undersigned, am the owner or authorized representative of the owner or operator of the facility addressed in this Air General Permit Registration Form. I hereby certify, based on information and belief formed after reasonable inquiry, that the facility addressed in this registration form is eligible for use of this air general permit and that the statements made in this registration form are true, accurate and complete. Further, I agree to operate and maintain the facility described in this registration form so as to comply with all applicable standards for control of air pollutant emissions found in the statutes of the State of Florida and rules of the Department of Environmental Protection and revisions thereof.*

*I will promptly notify the Department of any changes to the information contained in this registration form.*

Signature 

Date 11/29/10

**Type of Facility**

Check one:

Stationary Facility

Relocatable Facility

**Type(s) of Reasonable Precautions Used to Prevent Unconfined Emissions**

Check all precautions to be used for the management of roads, parking areas, stock piles and yards:

Pave Roads

Pave Parking Areas

Pave Yards

Maintain Roads/Parking/Yards

Use Water Application

Use Dust Suppressant

Remove Particulate Matter

Reduce Stock Pile Height

Install Wind Breaks

Check all precautions to be used for the management of drop points to trucks:

Spray Bar

Chute

Enclosure

Partial enclosure

**Description of Reasonable Precautions**

Below, or as an attachment to this form, provide details of all types of reasonable precautions to be used to prevent unconfined emissions at the facility.

This is a grout plant that is used for mixing Bentonite and Sand. There is no transferring of material from the plant into trucks. After mixing, the grout is pumped directly into the ground. No stockpiling is needed during this process. There are no emissions from fuel as the plant is electrically powered.

**Description of Facility**

Below, or as an attachment to this form, provide a description of the concrete batching plant operations at the facility in sufficient detail to demonstrate the facility's eligibility for use of this air general permit and to provide a basis for tracking any future equipment or process changes at the facility. Describe all air pollutant-emitting processes and equipment at the facility, and identify any air pollution control measures or equipment used.

The plant to be used is a standard grouting plant (See attached Technical Information). Sand and Bentonite will be pumped directly into the ground after mixing. Bouygues Civil Works Florida will document and inform the FDEP of any equipment or process changes in the future.

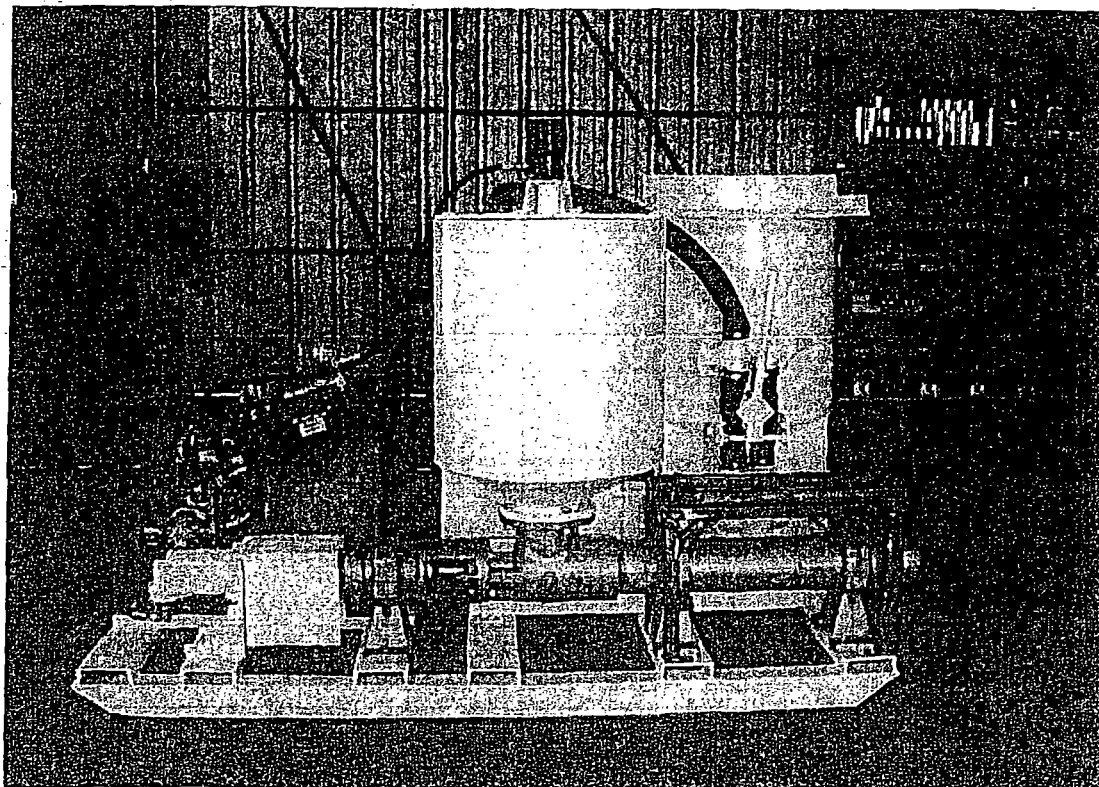
STORAGE OF MTLs PRIOR TO MIXING? SILOS

- 1) BENTONITE
- 2) SAND

TRANSFER OF MATERIALS?

\* PER TELECON DATED 12/17/10 W/ GRAHAM SMITH  
GROUT PLANT USES ONLY "BAGGED" BENTONITE.  
THERE IS NO SILO-LOADING OR OPEN PRODUCT  
STORAGE.

A. Little



### Technical Information

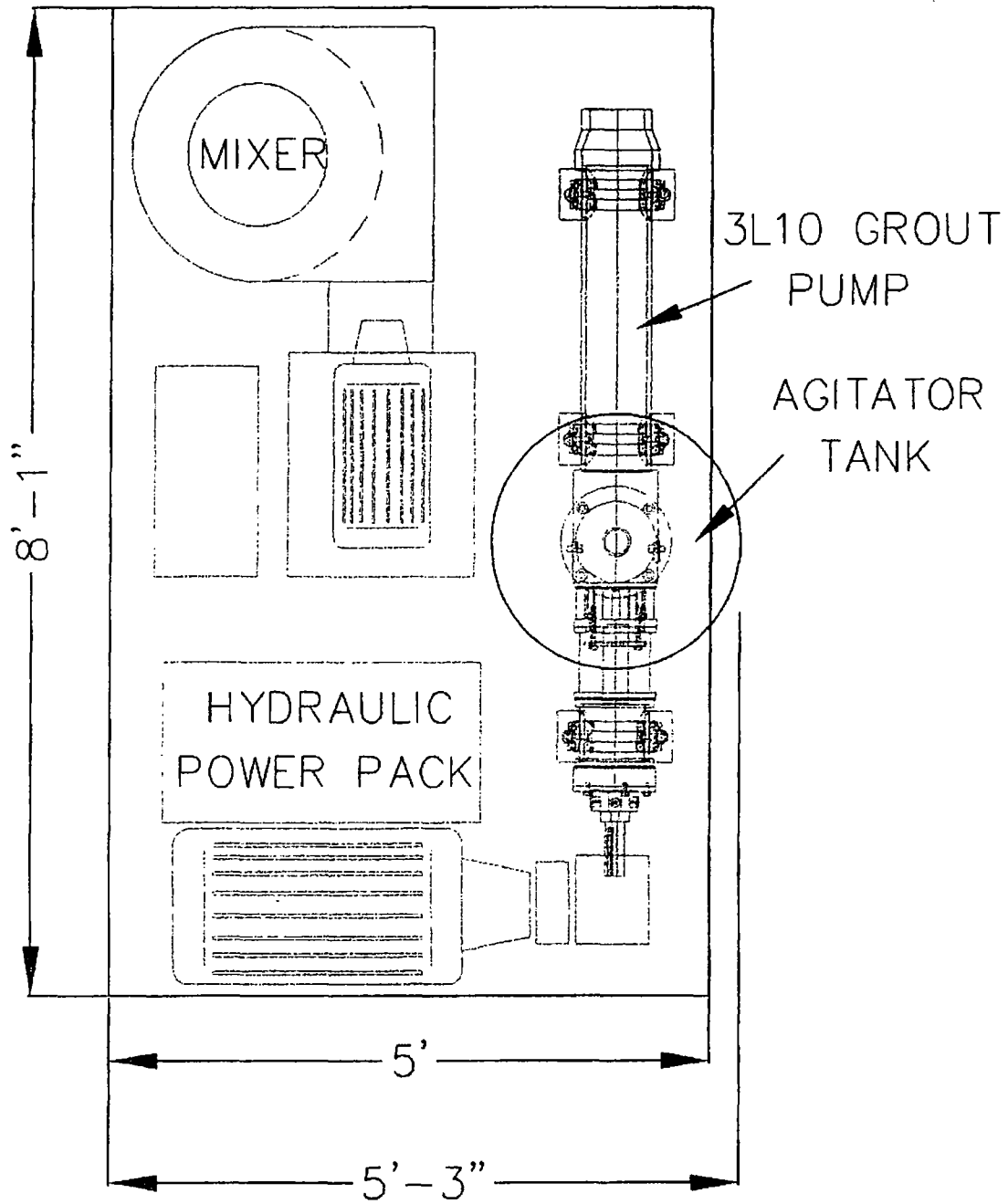
Model: SD6/3L10

Tag# :

Note : 6 Cu. Ft. Grout Plant with 3L10  
Pump. High Speed Colloidal Mixer  
Agitator Tank and 30 HP 440 Volt  
Power Pack: Total HP 45

OVERALL HEIGHT=75"

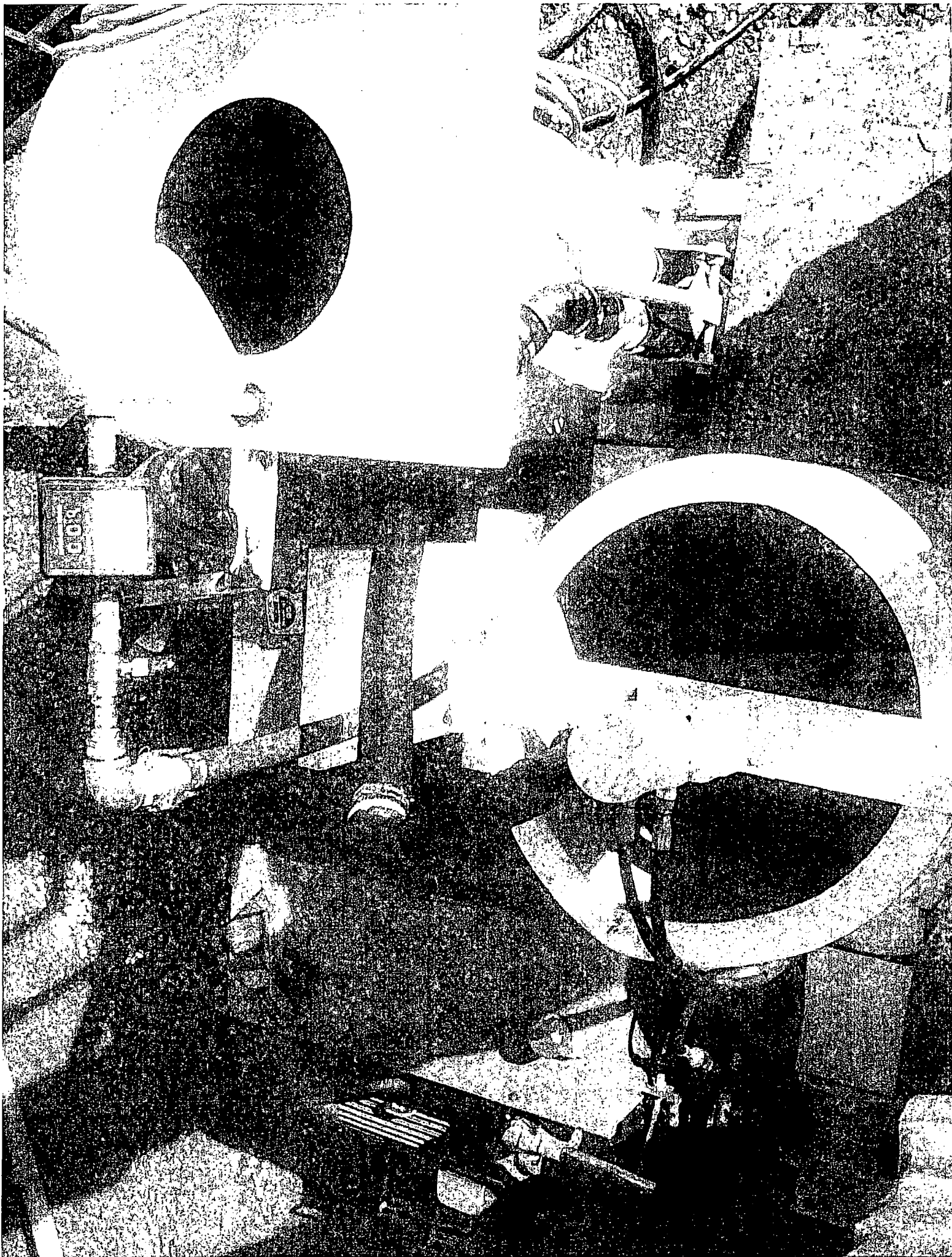
VOLUME = 8 cu.ft.



**PALM**  
EQUIPMENT, INC.  
3117 HINDEL MIRE RD  
WASCOT, TENNESSEE

**3L10 GROUT PLANT  
BASIC FOOTPRINT**

|                 |  |          |        |  |
|-----------------|--|----------|--------|--|
| MATERIAL        | UNLESS OTHERWISE SPECIFIED<br>DIMENSIONS ARE IN INCHES |          |        | NOMENCLATURE OR<br>PART DESCRIPTION<br>DIMENSIONS FOR<br>GROUT PLANT |
| TOLERANCES ARE: | FRACTIONS  | DECIMALS | ANGLES |  |
|                 | $\pm \frac{1}{16}$                                     | .005     | ± .01  |  |
| DATE            | BY   | REVISION | DATE   | APPROVAL   |
| DESIGN 8/7/83   | PEC  |          |        |  |
| DRAWN 8/25/83   | PL   |          |        |  |
| SCALE           | DO NOT SCALE   |          |        |  |
|                 |  |          |        | DRAWING NUMBER   |
|                 |  |          |        | SHEET ___ OF ___   |





FLORIDA  
General Contractor License No. CGC062569

December 1, 2010

Florida Department of Environment Protection  
Division of Air Resource Management  
P.O. Box 3070  
Tallahassee, FL 32315-3070

RECEIVED

DEC 1 0 2010

Bureau of Air Management  
& Mobile Sources

BCWF Ref: BCWF / 02587

Your Ref:

Re: Air General Permits

To the FDEP Division of Air Resource Management:

In regards to the Port of Miami Tunnel Project, Bouygues Civil Works Florida (BCWF) is informing the FDEP of one mixing plant and one grout plant that are on our job site. BCWF are of the opinion that neither the mixing plant or the grout plant meet the criteria to require a Concrete Batching Plant Permit from the FDEP. However, on November 18<sup>th</sup>, 2010 a site visit was conducted by a representative from the Department of Environmental Resource Management (DERM) who informed BCWF that the mixing plant and grout plant may meet the criteria to require Air General Permits for Concrete Batching Plants. As such, BCWF is making these permit applications as a proactive measure in light of the fact that these may be required. The mixing plant is located on Watson Island and be in operation from September, 2010 to April of 2011. The grout plant is also located on Watson Island and be in operation from December, 2010 to January of 2011.

If you should have any questions when reviewing the applications, please contact our Permit Coordinator at the information below:

Graham Smith 305-310-5899 or [g.smith@bcwf-miami.com](mailto:g.smith@bcwf-miami.com)

We look forward to continuing to work with the FDEP through the permitting process of the Port of Miami Tunnel Project.

Best Regards

**Louis Brais**  
Project Executive, BCWF

On behalf of BCWF  
Port of Miami Tunnel Project

Encl: 1 - Permit Application for Mixing Plant with Check #000553 for \$100.00  
2 - Permit Application for Grout Plant with Check #000582 for \$100.00

Cc int: JFo, PBo, PPa, RSt, LPe, NDu,

Cc ext.: Jennifer Smith (FDEP), Isa Nunez (FDOT), John Palenchar (FDOT), Mauricio Gomez (FDOT), Dorian Valdez (POM), Patrick Shortal (POM), Becky Hope (POM), Diana Beauchamps Lopez (URS/POM), Guillaume Dubois (MAT), Rick Wilson (MAT)

**Bouygues Civil Works Florida, Inc.**

1050 MacArthur Causeway  
Miami, FL 33132

Tel.: 305-894-1800/1741  
Fax: 305-374-8586/8692  
[pomt@bcwf-miami.com](mailto:pomt@bcwf-miami.com)





## Dibble, Dickson

---

**Subject:** Processed AIRS ID# 7775660-001; BOUYGUES CIVIL WORKS FLORIDA dba PORT OF MIAMI TUNNEL PROJECT, 1050 MACARTHUR CSWY, MIAMI, FL 33132-1613  
**Location:** CONCRETE BATCHING PLANT-Miami  
**Start:** Fri 12/17/2010 12:00 AM  
**End:** Sat 12/18/2010 12:00 AM  
**Show Time As:** Free  
**Recurrence:** (none)  
**Organizer:** Dibble, Dickson  
**Categories:** PENDING

### PENDING

12/17/10, 0745 HRS-Called Graham Smith (305) 310-5899 (cell) and left VM message.

- 1) Where are items stored prior to mixing and pumping?
  - a) Cement?
  - b) Bentonite?
  
- 2) If silos or other storage devices (silos) are used what emission control devices are used?

12/17/10, 1122 HRS-Mr. Smith returned my call, Did not know answers to my questions, but will find out and send e-mail later today. I will attach e-mail as an addendum to the submitted form.