

RECEIVED

NONMETALLIC MINERAL PROCESSING PLANTS (CRUSHERS)
AIR GENERAL PERMIT REGISTRATION FORM

AUG 26 2009

Bureau of Air Monitoring
& Mobile Sources

Part II. Notification to Permitting Office

(Detach and submit to appropriate permitting office; keep copy onsite)

Instructions: To give notice to the Department of an eligible facility's intent to use this air general permit, the owner or operator of the facility must detach and complete this part of the Air General Permit Registration Form and submit it to the appropriate Department of Environmental Protection or local air pollution control program office which has permitting authority. Please type or print clearly all information, and enclose the appropriate air general permit registration processing fee pursuant to Rule 62-4.050, F.A.C. (\$100 as of the effective date of this form)

Registration Type

Check one:

INITIAL REGISTRATION - Notification of intent to:

- Construct and operate a proposed new facility.
 Operate an existing facility not currently using an air general permit (e.g., a facility proposing to go from an air operation permit to an air general permit).

RE-REGISTRATION (for facilities currently using an air general permit) - Notification of intent to:

- Continue operating the facility after expiration of the current term of air general permit use.
 Continue operating the facility after a change of ownership.
 Make an equipment change requiring re-registration pursuant to Rule 62-210.310(2)(e), F.A.C., or any other change not considered an administrative correction under Rule 62-210.310(2)(d), F.A.C.

7775607-001

Surrender of Existing Air Operation Permit(s) - For Initial Registrations Only

If the facility currently holds one or more air operation permits, such permit(s) must be surrendered by the owner or operator upon the effective date of this air general permit. In such case, check the first box, and indicate the operation permits being surrendered. If no air operation permits are held by the facility, check the second box.

- All existing air operation permits for this facility are hereby surrendered upon the effective date of this air general permit; specifically permit number(s): _____
 No air operation permits currently exist for this facility.

General Facility Information

Facility Owner/Company Name (Name of corporation, agency, or individual owner who or which owns, leases, operates, controls, or supervises the facility.)

Roberts Sand Company, Inc

Site Name (Name, if any, of the facility site; e.g., Plant A, Metropolis Plant, etc. If more than one facility is owned, a registration form must be completed for each.)

Facility Location (Provide the physical location of the facility, not necessarily the mailing address.)

Street Address: 440 ROBERTS SAND RD
 City: Quincy County: Gadsden

Zip Code: 32351

Facility Start-Up Date (Estimated start-up date of proposed new facility.) (N/A for existing facility)

N/A

Type of Facility

Check one:

Stationary Facility

Relocatable Facility

Type(s) of Precautions Used to Prevent Unconfined Emissions

Check all that apply for the management of roads, parking areas, stock piles and yards:

Maintain Roads/Parking/Yards

Use Water Application

Use Dust Suppressant

Remove Particulate Matter

Reduce Stock Pile Height

Install Wind Breaks

Check the location of spray bars at the nonmetallic mineral processing plant:

Feeders

Entrance to "Crusher"

Exit of "Crusher"

Classifier Screens

Conveyor Drop Points

Description of Reasonable Precautions

Below, or as an attachment to this form, provide details of all types of reasonable precautions to be used to prevent unconfined emissions at the facility.

See Attached

DESCRIPTION OF REASONABLE PRECAUTIONS

- The HSI or “Crusher” unit is centrally situated at the facility which is naturally buffered by a mature tree line that surrounds the property. (Refer to Aerial Photo, Figure)
- Each of the conveyors (3) carrying processed material from the HSI is equipped with water sprayer nozzles at the drop point to moisten the crushed material and reduce unconfined emissions.
- Stock piles of crushed material are kept at reasonable heights to prevent excess unconfined emissions from being emitted due to high winds, e.g. piles are below the tree line.
- All vehicles transporting processed material from the site are properly covered in accordance with FDOT regulations.
- All internal roadways are graded as necessary to prevent excess dust accumulation.

Description of Facility

Below, or as an attachment to this form, provide a description of the nonmetallic mineral processing operations at the facility in sufficient detail to demonstrate the facility's eligibility for use of this air general permit and to provide a basis for tracking any future equipment or process changes at the facility. Describe all air pollutant-emitting processes and equipment at the facility, and identify any air pollution control measures or equipment used.

SEE ATTACHED

SERIAL NUMBER ?

403003

DESCRIPTION OF FACILITY

PER DIANE-9/1/09

Roberts Sand Company, Inc., (Roberts), has owned and operated a permitted sand mining operation in a rural area of Southern Gadsden County since 1991. Roberts also recycles clean soils (sand, top soil, etc), asphalt, aggregate and concrete as part of their operations at this facility. The recycling operation utilizes a Pioneer Model 4233 Horizontal Shaft Impactor (HSI) to process concrete, aggregate and asphalt for reuse on roadway and site development projects. The HSI is powered by a 175 HP diesel engine and is capable of processing 100-120 TPH throughputs of recycled concrete and asphalt. (A copy of the manufacturer's information brochure is attached with the general permit application). The HSI unit is relocatable but is currently used as a fixed facility operation at Roberts Gadsden County facility located at 440 Roberts Road (see attached location and aerial maps). The owner, before relocating this equipment to another location will notify the Department in accordance with Rule 62-270.310(e) 3.f.

The equipment is normally operated approximately 100 days a year depending on weather conditions, operator availability and product demand. Annual total fuel consumption is considerably less than the limit specified in Rule 62-210-310 (s)(e) 3.a. FAC of 275,000 gallons of diesel fuel. Typically three conveyors are operated, not simultaneously, at the exit of the HSI. One conveyor for stock piling finely crushed road base material, one for conveying over size rock and one for FDOT Class # 5 stone. Each conveyor is equipped with dust suppression water nozzles for dust control at the conveyor drop points. Stockpile heights are controlled by the elevation of the discharge conveyors. The closest residential dwelling is approximately 0.40 miles from the "crusher" operation and the site is buffered by trees (please refer to the aerial photo).

NORTH



ROBERTS SAND CO.

CRUSHER LOCATION

0.4 MILES

NEAREST RESIDENTIAL DWELLING

LOCATION MAP FOR ROBERTS SAND CO.

DATE:	7/28/2009
FIELD DATE:	
SCALE:	NOT TO SCALE
JOB NO.:	4393
DRAWN BY:	AJT
CHECKED BY:	PLB

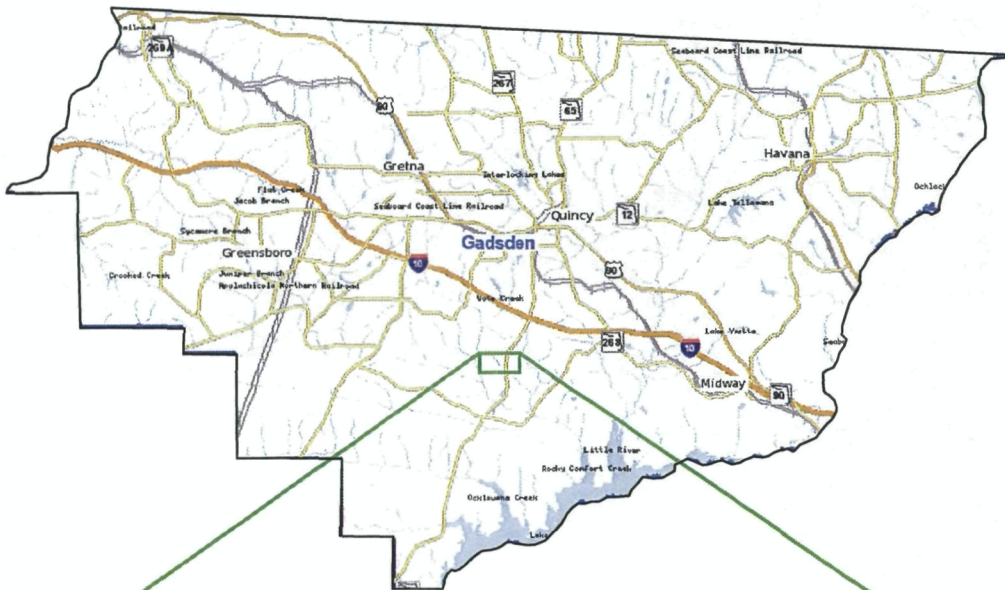
NOT VALID WITHOUT THE SIGNATURE AND ORIGINAL RAISED SEAL OF A FLORIDA LICENSED SURVEYOR AND MAPPER.

CAPITAL ENGINEERING & SURVEYING, INC.
 318 North Monroe Street
 Tallahassee, Florida 32301
 850-422-0020

David W. Hutcheson, P.E. 38670 P.S.M. 5051
 EB: 27272 LB: 7559



SHEET NO.
 1 of 1



LOCATION MAP FOR ROBERTS SAND CO.

DATE:	7/28/2009
FIELD DATE:	
SCALE:	NOT TO SCALE
JOB NO.:	4393
DRAWN BY:	AJT
CHECKED BY:	PLB
NOT VALID WITHOUT THE SIGNATURE AND ORIGINAL RAISED SEAL OF A FLORIDA LICENSED SURVEYOR AND MAPPER.	

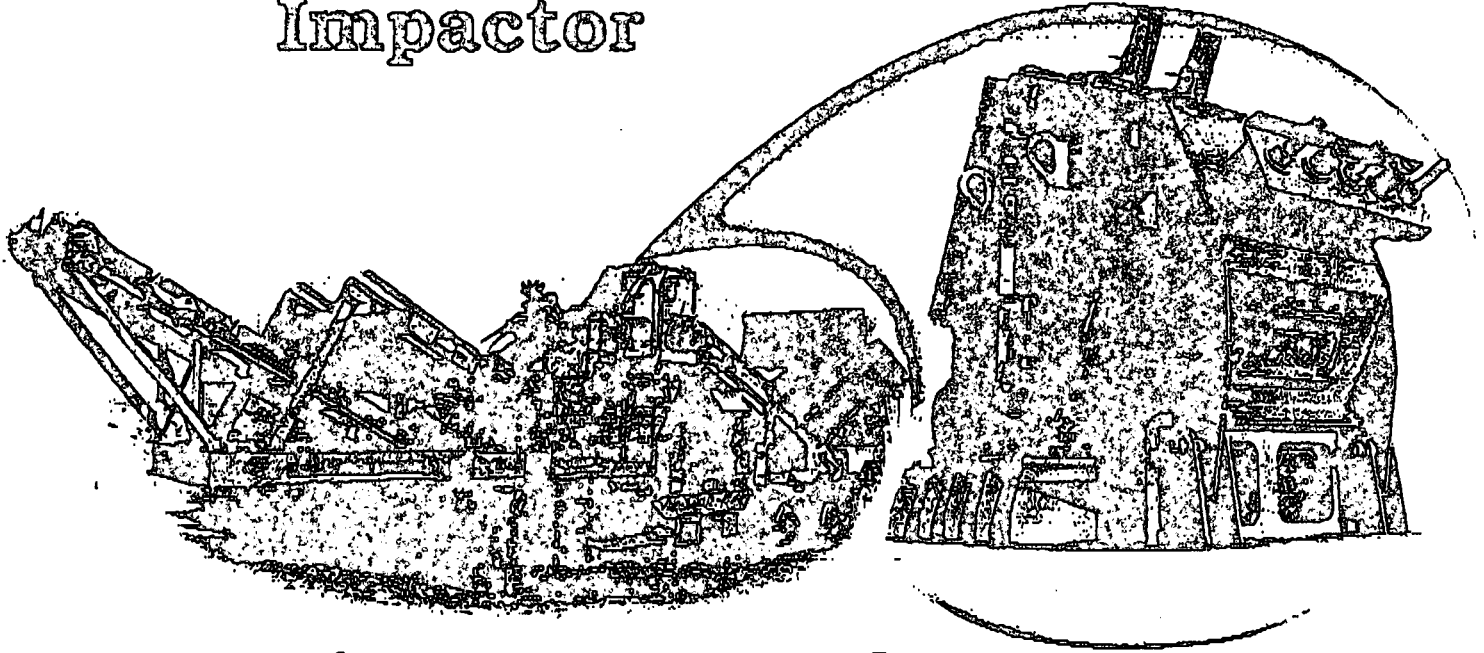
CAPITAL ENGINEERING & SURVEYING, INC.
 318 North Monroe Street
 Tallahassee, Florida 32301
 850-422-0020
 David W. Hutcheson, P.E. 38670 P.S.M. 5051
 EB: 27272 LB: 7559

CEIS SHEET NO. 1 of 1

P:\Projects\4393\Permitting\Location Maps\RobertsSand\Col4393-RobertsSandCo.dwg, A. atompson, Jul 29, 2009 - 3:55:24pm

Introducing... **THE ALL NEW**
Pioneer® **4233**

**Horizontal Shaft
Impactor**



The 4233 HSI features:

- 👉 42" x 33" Maximum Productivity Rotor design
- 👉 Large 33" x 36" opening
- 👉 Application flexibility with multiple blow bar metalurgies available
- 👉 Up to 125 TPH throughout
- 👉 Feed size
 - Recycle - 24" x 24" x 12"
 - Limestone - 12"
 - Hard Rock - 10"

Designed to Economically Process

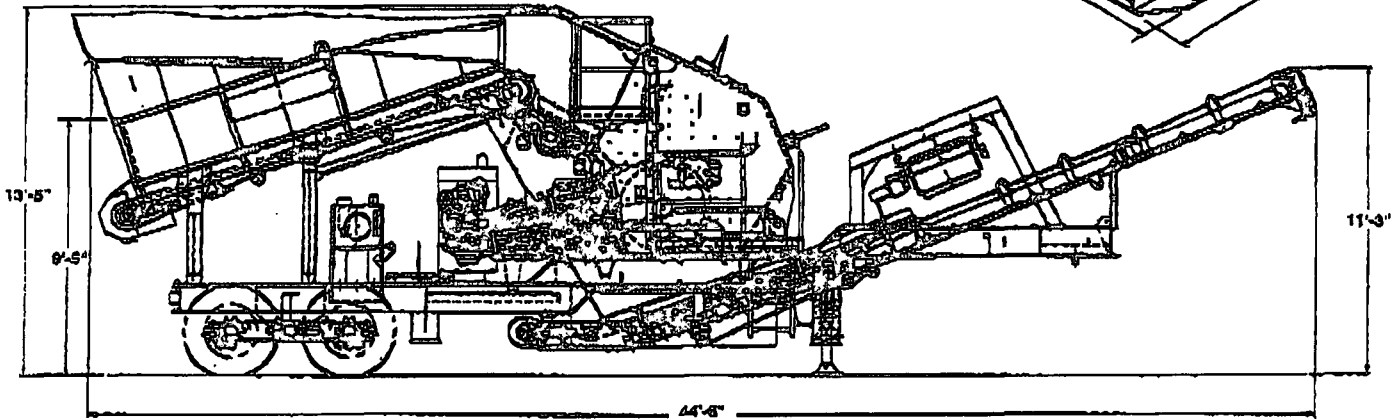
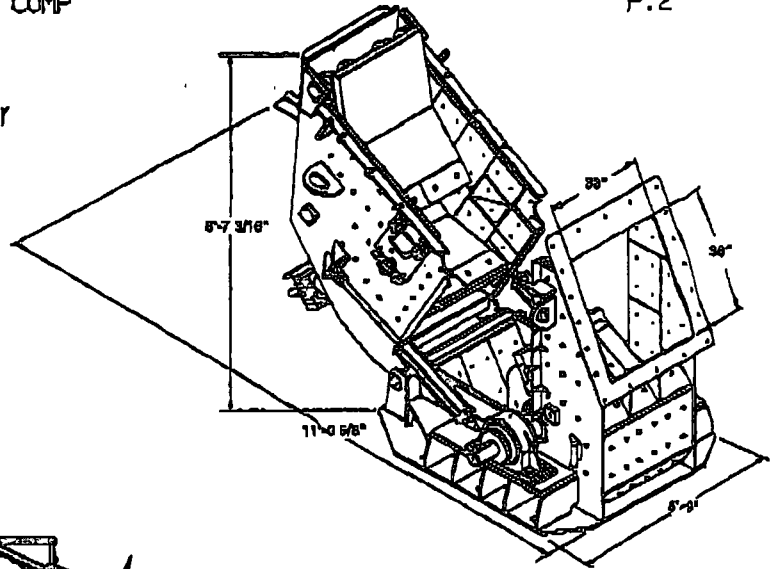
- 👉 Concrete with rebar
- 👉 Asphalt
- 👉 Aggregate
- 👉 Block and Brick
- 👉 C & D Debrls

For more information, call 800-542-9311

● JAN 30 '01 06:13PM FLINT EQUIPMENT COMP
 ● Fabricated solid rotor is stress-relieved.

● The MPR (Maximum Productivity Rotor) design delivers the strength of a solid rotor design with the features of an open rotor design.

- Three replaceable/reversible blow bars.
- Abrasion resistant aprons with replaceable wear tips.
- Chamber hydraulically opens past center for easy access.
- Heavy-duty shaft and bearings.
- Fabricated base assembly.



Plant Features

- Low charge height
- Highest discharge height in industry
- Small footprint for tight working conditions
- Sets up in minutes
- Fines bypass system
- Travel light package

Conveyors

- 36" x 15' hydraulic feed conveyor with receiving hopper 9'-5" feed height
- 30" x 29' discharge conveyor 11'-3" discharge height

Optional Plant Features

- Dust suppression nozzles
- Belt feeder remote control
- Hydraulic rear lifting jacks
- Permanent cross belt magnet
- Auxiliary hydraulic line of off-plant stacker

Power Unit

- Onboard diesel power rated @ 175 H.P.
- Cummins or John Deere available
- Batteries, cables, fuel tank and plant mounting

FOR MORE INFORMATION CALL 800-542-9311 AND ASK FOR A PIONEER EQUIPMENT SPECIALIST.

SPECIFICATIONS ARE SUBJECT TO CHANGE WITHOUT NOTICE.

Because Kolberg-Pioneer, Inc. may use in its catalogs and literature, field photographs of its products which may have been modified by the owner, products furnished by Kolberg-Pioneer, Inc. may not necessarily be as illustrated herein. Also continuous design progress makes it necessary that specifications be subject to change without notice. All sales of the products of Kolberg-Pioneer, Inc. are subject to the provisions of its standard warranty. Kolberg-Pioneer, Inc. does not warrant or represent that its products meet any federal, state or local codes, ordinances, rules, standards or other regulations, including OSHA and MSHA, covering safety, pollution, electrical wiring, etc. Compliance with these

regulations and requirements is the responsibility of the user and will be dependent upon the area and the use in which the product is put by the user. In some photographs, guards may have been removed for illustrative purposes only. This equipment should not be operated without all guards attached in their normal position. Placement of guards and other safety equipment is often dependent upon the area and the use in which the product is put. A safety study should be made by the user of the application, and, if required, additional guards, warning signs and other safety devices should be installed by the user, wherever appropriate before operating the product.

Flint Equipment Co.
 P.O. Box 3329 / I206 Blaylock St.
 Albany, GA 31706
 (229) 888-1212



KOLBERG-PIONEER, INC.

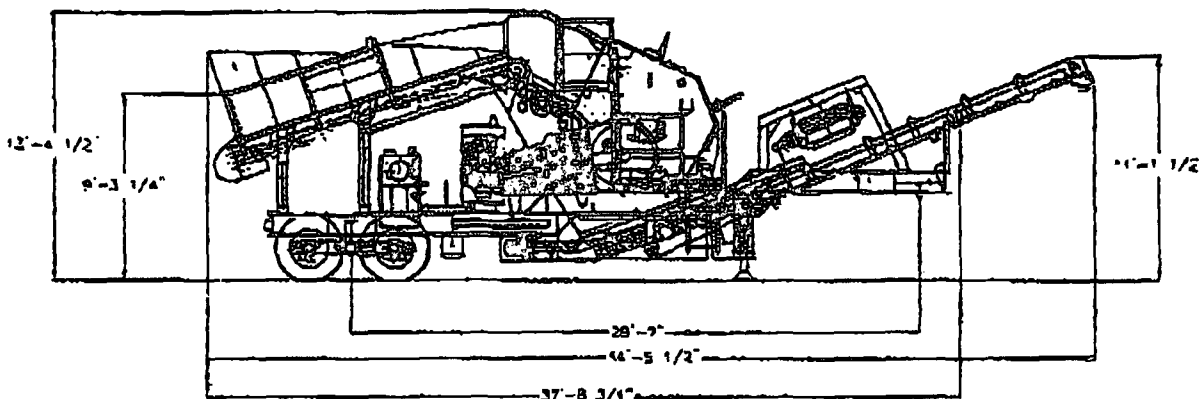
700 W. 21st St. • P.O. Box 20 • Yankton, SD 57078
 Phone: (605) 665-8771 • Fax: (605) 665-8858
 mail@kolbergpioneer.com • www.kolbergpioneer.com

800-542-9311



700 WEST 21st STREET • P.O. BOX 20 • YANKTON, SOUTH DAKOTA 57078

4233 Recycler



Application Guidelines

The following application guidelines are suggested in order to assist in the operation of this unit in the proper application. Common crushing guidelines should also be used to properly apply this impact crusher. The technical data below is approximate and should be used as a guide only. The factory should be consulted if future assistance is required.

1. Recycled Concrete and Recycle Asphalt
 - A. Capacity is 100-120 TPH throughput with 85% passing 2.25"
With primary apron set at 4" and secondary apron at 2"
 - B. Maximum feed size is 24" x 24" x 12"
 - C. Maximum of 1" diameter rebar
Rebar needs to be trimmed to the size of the concrete
 - D. Minimum of 1" minus product in closed circuit operation.
2. Limestone
 - A. Capacity is 100-120 TPH throughput with 85% passing 2.25"
With primary apron set at 4" and secondary apron at 2"
 - B. Maximum feed size is 12" x 12" x 12"
 - C. Minimum of 1" minus product in closed circuit operation
3. Hard Rock
 - A. Capacity is 80-100 throughput with 85% passing 2.25"
With primary apron set at 4" and secondary apron at 2"
 - B. Maximum feed size is 10" diameter
 - C. Minimum of 1" minus product in closed circuit operation

Main Office
605-665-9311

Sales Department
800-542-9311
Fax 605-665-8858

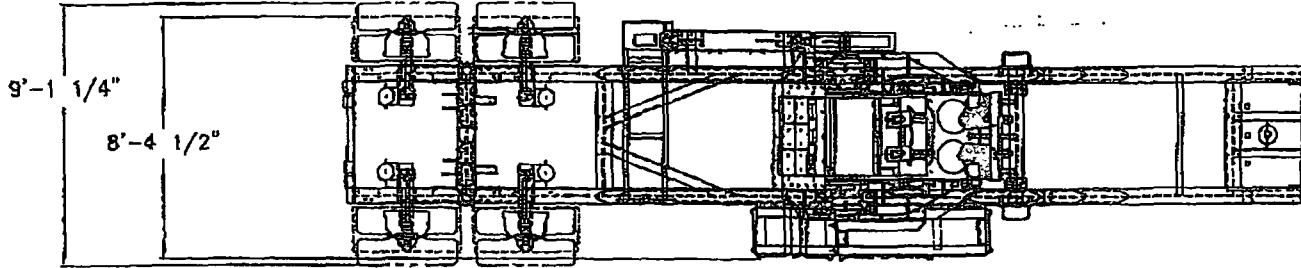
Parts Department
800-786-9783
Fax 800-514-6115

Received Time 50 Jul. 13. 2009 11:29PM No. 3740

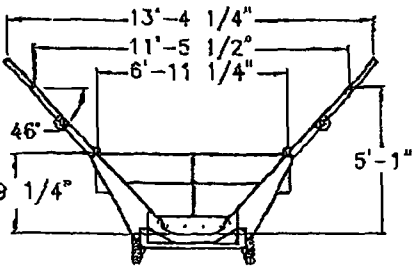
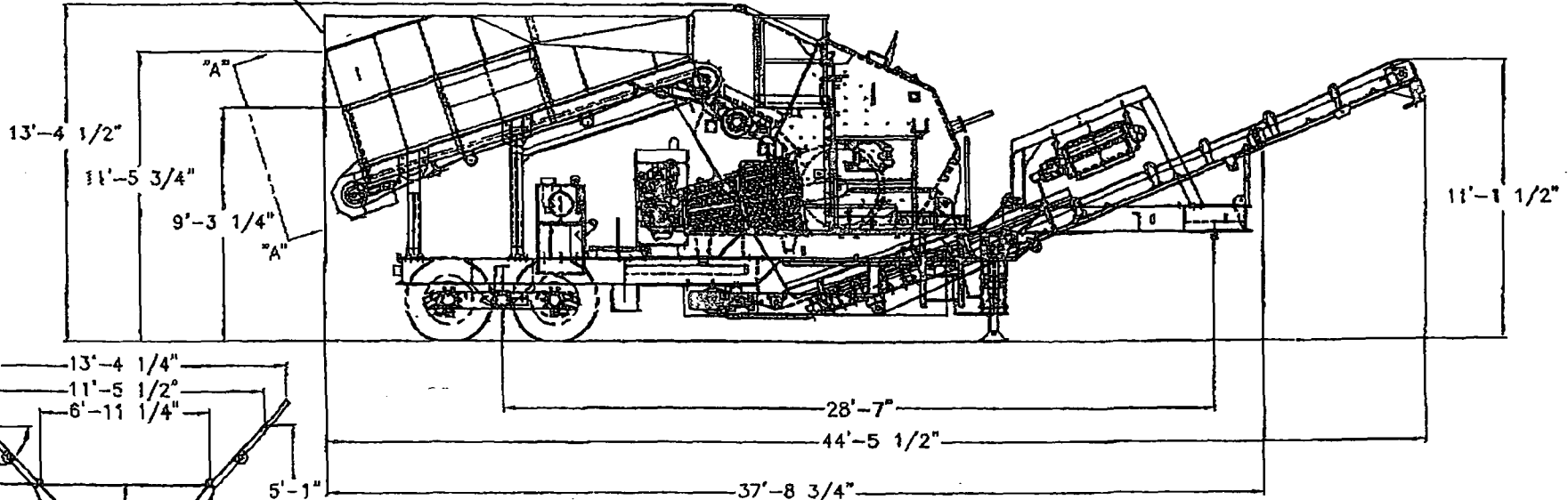
mail@kolbergpioneer.com www.kolbergpioneer.com

Received Time-Jul. 13. 2009 11:29PM No. 3740

Post-It™ Fax Note	7671	Date	2-8-01	# of pages	1
To	TOMMY SLAY	From	BOB FROHREICH		
Co./Dept.		Co.	KPI		
Phone #	850-575-5600	Phone #	605-668-2573		
Fax #	850-575-9972	Fax #	605-668-2560		



BOLT-ON HOPPER WING



VIEW "A-A"

KOLBERG-PIONEER, INC.		155100		155100	
155100		0		155100	

Tommy - THE HOPPER EXTENSION WILL NOW BE @2500.00 DEALER NET. *Ph S.*

02/JUL.13. 2009 11:37AM 605ROBERTS SAND-DISPATCH-ENGINEERING INC

No. 3876 P. 5

001

Kolberg-Pioneer Inc. KPI**Johnson Crushers International JCI****Astec Companies**

To: Tommy Slay
Flint Equipment Co.

Date: Feb. 4, 2001

From: Leon Luadzers

Comparisons:

	Pioneer 4233	Cobra 1000	Pioneer 4250
Crusher			
Rotor dia.	42"	40"	42" Rotor dia determines how large
Rotor width	33"	40"	50" feed size the crusher can accept
Opening to impactor	36"H x 33"W	33"H x 33"W	36"H x 50"W
Feeder size	36" x 15'	35" x 17'	42" x 17'
Top feed size			
Concrete	24" x 24" x 12"	24" x 24" x 12"	24" x 24" x 12"
Limestone	10"	10"	10"
Hard Rock	6"	6"	6"
Capacity	75-140 tph	75-140 tph	125-225 tph
Rotor design	solid rotor	open rotor	solid rotor solid rotor design is much heavier design than open rotor
Number of bars	three	three	three
Stockpile height	11'-3"	6'	8' The 4322 has a high discharge height Allowing good material stockpile W/O separate stacking conveyor
Plant set up Time	15-30 minutes	1-2 hours	1 hour

Summary: The Pioneer 4233 has:

Larger diameter rotor allowing it handle larger feed size

Larger feed opening to crusher

Solid, heavy duty rotor puts more impact into crushing, is tougher, a heavier design and last longer

More portable design plant which requires less room, sets up and tears down quicker

Has 11'-3" high discharge product conveyor which allows stockpile of material without off plant conveyor



712 Silver Lake Road Tallahassee, FL 32310
850-576-3610

US POSTAGE
FIRST-CLASS
062S0005668563
32310

stamps.com
C18444.07



**FDEP Receipts
PO Box 3070
Tallahassee, FL 32315-3070**

**Attn: Dickson Dibble
Division Air Resource Management**