

RECEIVED

**CONCRETE BATCHING PLANT
AIR GENERAL PERMIT REGISTRATION FORM**

MAR 15 2011

**Bureau of Air Monitoring
& Mobile Sources**

Part II. Notification to Permitting Office
(Detach and submit to appropriate permitting office; keep copy onsite)

Instructions: To give notice to the Department of an eligible facility's intent to use this air general permit, the owner or operator of the facility must detach and complete this part of the Air General Permit Registration Form and submit it to the appropriate Department of Environmental Protection or local air pollution control program office which has permitting authority. Please type or print clearly all information, and enclose the appropriate air general permit registration processing fee pursuant to Rule 62-4.050, F.A.C. (\$100 as of the effective date of this form)

Registration Type

Check one:

INITIAL REGISTRATION - Notification of intent to:

- Construct and operate a proposed new facility.
 Operate an existing facility not currently using an air general permit (e.g., a facility proposing to go from an air operation permit to an air general permit).

RE-REGISTRATION (for facilities currently using an air general permit) - Notification of intent to:

- Continue operating the facility after expiration of the current term of air general permit use.
 Continue operating the facility after a change of ownership.
 Make an equipment change requiring re-registration pursuant to Rule 62-210.310(2)(e), F.A.C., or any other change not considered an administrative correction under Rule 62-210.310(2)(d), F.A.C.

7775528-002

Surrender of Existing Air Operation Permit(s) - For Initial Registrations Only

If the facility currently holds one or more air operation permits, such permit(s) must be surrendered by the owner or operator upon the effective date of this air general permit. In such case, check the first box, and indicate the operation permits being surrendered. If no air operation permits are held by the facility, check the second box.

- All existing air operation permits for this facility are hereby surrendered upon the effective date of this air general permit; specifically permit number(s):
 7775528-001-AG
 No air operation permits currently exist for this facility.

General Facility Information

Facility Owner/Company Name (Name of corporation, agency, or individual owner who or which owns, leases, operates, controls, or supervises the facility.)

Bauer Foundation Corporation

Site Name (Name, if any, of the facility site; e.g., Plant A, Metropolis Plant, etc. If more than one facility is owned, a registration form must be completed for each.)

Herbert Hoover Dike Restoration - Reach 1

Facility Location (Provide the physical location of the facility, not necessarily the mailing address.)

Street Address: 18805 U.S. Hwy 441 S

City: Canal Point

County: Palm Beach

Zip Code: 33438 - 9566

Facility Start-Up Date (Estimated start-up date of proposed new facility.) (N/A for existing facility)

N/A

Owner/Authorized Representative

Name and Position Title (Person who, by signing this form below, certifies that the facility is eligible to use this air general permit.)

Print Name and Title: Allen K. Thrift

Owner/Authorized Representative Mailing Address

Organization/Firm: Bauer Foundation Corporation

Street Address: 13203 Byrd Legg Drive

City: Odessa

County: Pasco

Zip Code: 33556

Owner/Authorized Representative Telephone Numbers

Telephone: (727) 536-4748

Fax: (727) 530-1571

Cell phone (optional): (813) 333-8281

Facility Contact (If different from Owner/Authorized Representative)

Name and Position Title (Plant manager or person to be contacted regarding day-to-day operations at the facility.)

Print Name and Title:

Facility Contact Mailing Address

Organization/Firm:

Street Address:

City:

County:

Zip Code:

Facility Contact Telephone Numbers

Telephone:

Fax:

Cell phone (optional):

Owner/Authorized Representative Statement

This statement must be signed and dated by the person named above as owner or authorized representative

I, the undersigned, am the owner or authorized representative of the owner or operator of the facility addressed in this Air General Permit Registration Form. I hereby certify, based on information and belief formed after reasonable inquiry, that the facility addressed in this registration form is eligible for use of this air general permit and that the statements made in this registration form are true, accurate and complete. Further, I agree to operate and maintain the facility described in this registration form so as to comply with all applicable standards for control of air pollutant emissions found in the statutes of the State of Florida and rules of the Department of Environmental Protection and revisions thereof.

I will promptly notify the Department of any changes to the information contained in this registration form.

Allen K Thrift
Signature

3-5-11
Date

Type of Facility

Check one:

 Stationary Facility Relocatable Facility**Type(s) of Reasonable Precautions Used to Prevent Unconfined Emissions**

Check all precautions to be used for the management of roads, parking areas, stock piles and yards:

 Pave Roads Pave Parking Areas Pave Yards Maintain Roads/Parking/Yards Use Water Application Use Dust Suppressant Remove Particulate Matter Reduce Stock Pile Height Install Wind Breaks

Check all precautions to be used for the management of drop points to trucks:

 Spray Bar Chute Enclosure Partial enclosure**Description of Reasonable Precautions**

Below, or as an attachment to this form, provide details of all types of reasonable precautions to be used to prevent unconfined emissions at the facility.

Bauer Foundation Corporation (BFC) is seeking to amend this existing Air General Permit for the operation of multiple temporary mobile storage silos (similar to that shown on the attached manufacturer's cut sheet) during the Herbert Hoover Dike (HHD) Reach I Seepage Cutoff Wall in Palm Beach County, Florida. The HHD project is being administered for the State of Florida by the U.S. Army Corps of Engineers (USACE) under contract No. W912EP-07-D-0011 (T.O. #0005).

Construction of the seepage cutoff wall will require the temporary storage of cement, bentonite and/or fly ash at the project site, located at 18805 U.S. Highway 441 South, near Canal Point, Florida.

BFC will manage construction activities under constant surveillance and control to minimize pollution of air resources. Activities, equipment, processes, and work performed by the contractor in accomplishing the specified construction shall be in strict accordance with the applicable air pollution standards of the State of Florida. Construction activities requiring the use of the mobile storage silos will be continuously monitored and controlled to minimize pollution of air resources. All activities shall comply with local, State and Federal emission and performance laws and standards. EPA ambient air quality standards are to be maintained for construction operations in this section.

Description of Facility

Below, or as an attachment to this form, provide a description of the concrete batching plant operations at the facility in sufficient detail to demonstrate the facility's eligibility for use of this air general permit and to provide a basis for tracking any future equipment or process changes at the facility. Describe all air pollutant-emitting processes and equipment at the facility, and identify any air pollution control measures or equipment used.

As stated previously, the project site is located along an approximate 5-mile stretch of the HDD in western Palm Beach County. The project will utilize a temporary construction compound which will be located on the west side of U.S. Hwy. 441, approximately 0.25 miles south of the Palm Beach County line (see attached project map). The actual construction will be accomplished directly on the HDD.

The major project activities will include pre-trenching along the HDD with the addition of bentonite slurry to maintain the stability of the open excavation. This will be followed by backfilling with suitable clean soil and deep trench soil mixing. The deep soil mixing will be accomplished by BFC using a track-mounted base unit equipped with a double-wheel rotary cutter soil mixer (CSM) to mix the backfilled trench material with injected cementitious slurry.

The processes described above will require the on-site storage and handling of bulk cement, fly ash and/or bentonite. The portable silos will be used for the storage of these materials and therefore may be eligible for this Air General Permit. Every silo will be equipped with air pollution control equipment such as an attached 150 sq. ft. bag house in order to minimize particulate emissions caused during handling. BFC currently utilizes five (5) portable silos for the project. BFC will notify the regulatory authority prior to a material process change or use of additional equipment similar in nature.

Please see attachment for equipment details.

(888) 745-6797



cementsilos.com

PORTABLE SILOS - 1400 CU. FT. CAPACITY



1400 cu. ft. portable silo used for loading bulk trucks at rail yard. Shown with optional displacement baghouse and air compressor.

STANDARD FEATURES

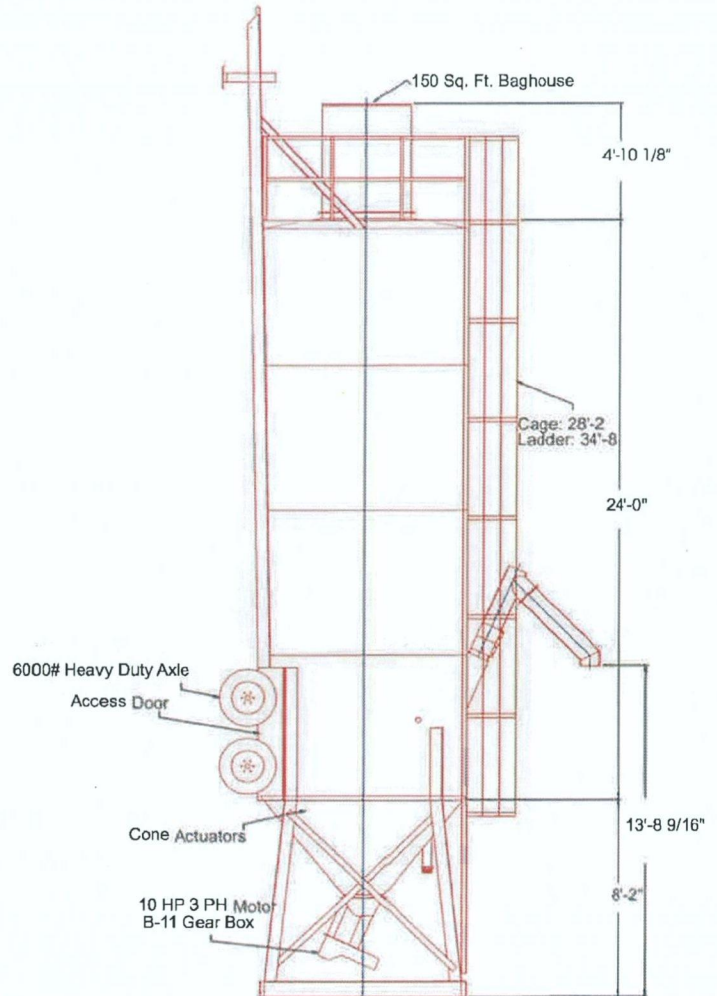
- 60 Ton Capacity (Cement)
- Positive Feed Drive
- 10" Diameter Screw (12 cf/minute)
- 10hp 3 Phase Motor and Gear Box Drive
- 150 sq. ft. Bag House with Electric Vibrator
- Upper Level Bindicator with Light and Horn Alarm Starter Panel
- Cone Actuators
- Caged Ladder with Rail Package
- Heavy Duty Axle Trailer with Light Package

OPTIONS

- 225 sq. Ft. Bag House
- Non-stick Cone Coating
- 12" Diameter Screw (33 cf/minute)
- 20HP 3 Phase Motor and Gear Box Drive
- Lower Level Indicator

SETUP/SITE REQUIREMENTS

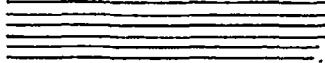
Compacted, level soil or better



APPLICATIONS

- Cement
- Fly Ash
- Lime
- CKD
- Sand
- Bentonite/Clay
- Calcium Carbonate
- Chemical Powder Products
- Agricultural Powder Products
- Food Grade Dry Bulk Products

3/17/11
TELECON W/
ALLEN THREFT -
THIS UNIT IS
ON SITE, NOT
USED, AND IS
BEING RELOCATED
TO ANOTHER SITE.
NOT ON THIS
PERMIT. D.



MOBILE

a division of

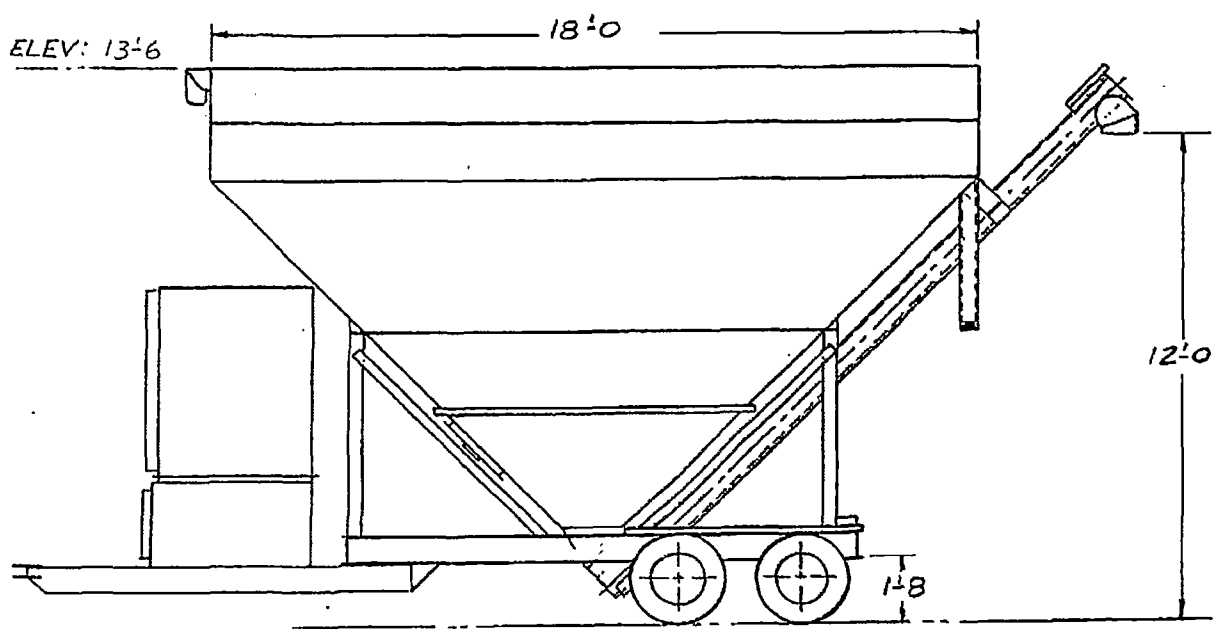
CONCRETE TECHNOLOGIES, Inc.
cemen. tech.

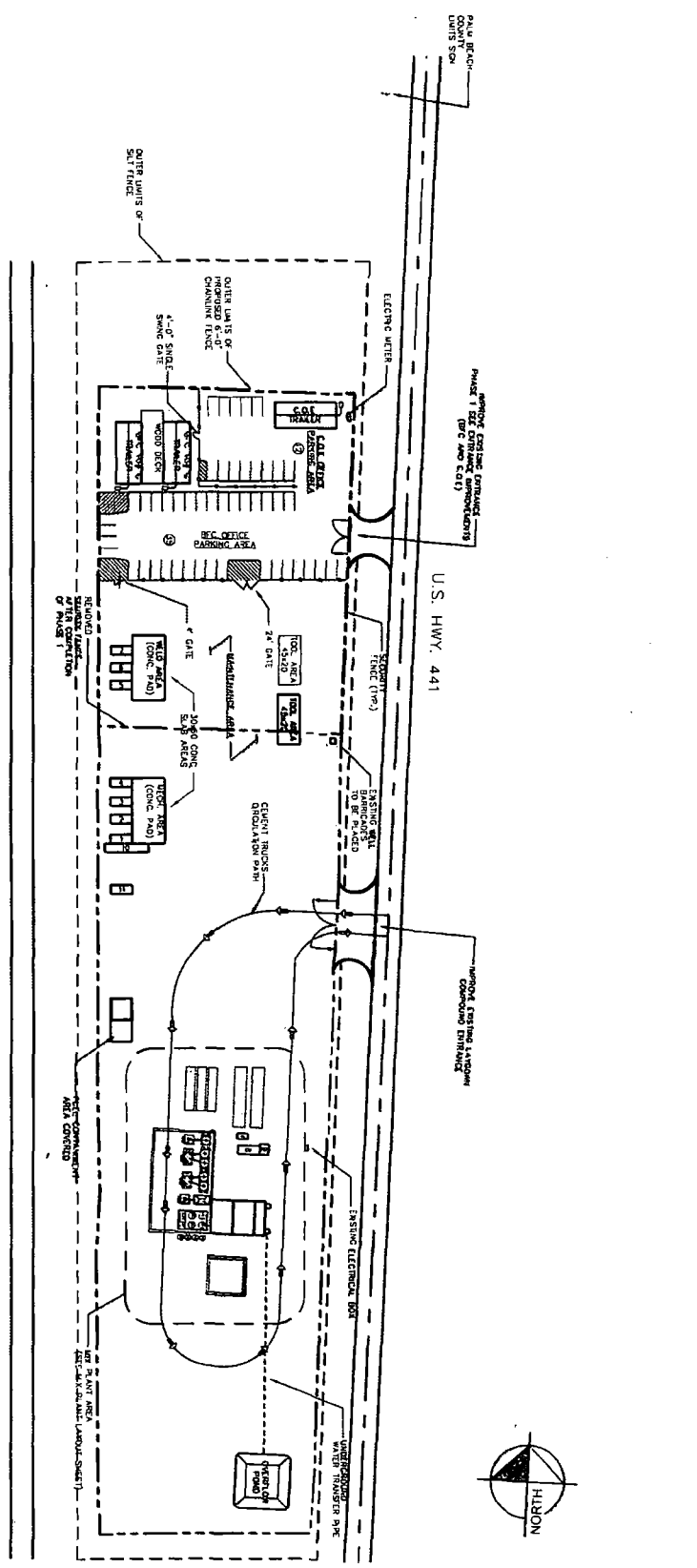
Low Profile Cement Silo

200 Barrel Capacity
(800 cubic foot)

Standard Equipment

- * 8' 6" width
- * 26' overall length
- * weight 8,000 lbs.
- * Pneumatic fill pipe, 4"
- * Dusthouse, 150 sq. ft.
- * Safety pop-off
- * Auger, 7" with a 12' discharge ht.
- * Electric motor, 5 hp 3 phase
- * Gear box drive
- * heavy duty trailer, 8 ply tires
- * Single phase (optional)
- * Gasoline engine (optional)



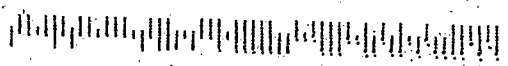


SITE PLAN
1:50

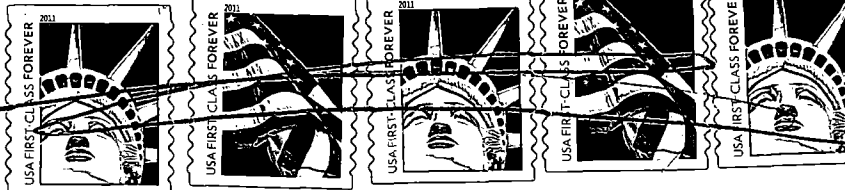
- GENERAL NOTES:**
- 1. ALL UTILITIES TO BE LOCATED AND DEPTH TO BE VERIFIED BY THE CONTRACTOR.
 - 2. ALL UTILITIES TO BE PROTECTED AND DEPTH TO BE MAINTAINED THROUGHOUT CONSTRUCTION.
 - 3. ALL UTILITIES TO BE REPAIRED AND RESTORED TO ORIGINAL CONDITION.
 - 4. ALL UTILITIES TO BE PROTECTED AND DEPTH TO BE MAINTAINED THROUGHOUT CONSTRUCTION.
 - 5. ALL UTILITIES TO BE REPAIRED AND RESTORED TO ORIGINAL CONDITION.

FIG-1	SHEET NUMBER	PROJECT NO. XXXXX	DATE JAN. 2011	DEPARTMENT OF THE ARMY JACKSONVILLE DISTRICT, CORPS OF ENGINEERS JACKSONVILLE, FLORIDA	OVERALL SITE PLAN	SCALE AS NOTED	DRAWN BY SBO	CHECKED BY MB	BAUER FOUNDATION CORP. 13203 BYRD LEGG DRIVE OCESSA, FL 33556 PHONE: 772-530-1571	NO.	REVISIONS	DATE	BY

Bauer F



18805 US Hwy 441
Canal Point, FL 33438



FDEP Receipts
Attn: Dick Dibble
PO Box 3070
Tallahassee, FL 32315