

F&A RECEIPT DATE - 2008 JUN 17

COPY

RECEIVED

NONMETALLIC MINERAL PROCESSING PLANTS (CRUSHERS)
AIR GENERAL PERMIT REGISTRATION FORM

Bureau of Air, Noise, and
& Mobile Sources
JUN 19 2008

Part II. Notification to Permitting Office

(Detach and submit to appropriate permitting office; keep copy onsite)

Instructions: To give notice to the Department of an eligible facility's intent to use this air general permit, the owner or operator of the facility must detach and complete this part of the Air General Permit Registration Form and submit it to the appropriate Department of Environmental Protection or local air pollution control program office which has permitting authority. Please type or print clearly all information, and enclose the appropriate air general permit registration processing fee pursuant to Rule 62-4.050, F.A.C. (\$100 as of the effective date of this form)

7775523-001

Registration Type

Check one:

INITIAL REGISTRATION - Notification of intent to:

- Construct and operate a proposed new facility.
- Operate an existing facility not currently using an air general permit (e.g., a facility proposing to go from an air operation permit to an air general permit).

RE-REGISTRATION (for facilities currently using an air general permit) - Notification of intent to:

- Continue operating the facility after expiration of the current term of air general permit use.
- Continue operating the facility after a change of ownership.
- Make an equipment change requiring re-registration pursuant to Rule 62-210.310(2)(e), F.A.C., or any other change not considered an administrative correction under Rule 62-210.310(2)(d), F.A.C.

Surrender of Existing Air Operation Permit(s) - For Initial Registrations Only

If the facility currently holds one or more air operation permits, such permit(s) must be surrendered by the owner or operator upon the effective date of this air general permit. In such case, check the first box, and indicate the operation permits being surrendered. If no air operation permits are held by the facility, check the second box.

- All existing air operation permits for this facility are hereby surrendered upon the effective date of this air general permit; specifically permit number(s): _____
- No air operation permits currently exist for this facility.

General Facility Information

Facility Owner/Company Name (Name of corporation, agency, or individual owner who or which owns, leases, operates, controls, or supervises the facility.)

A & B LAND INVESTMENTS, INC.

Site Name (Name, if any, of the facility site; e.g., Plant A, Metropolis Plant, etc. If more than one facility is owned, a registration form must be completed for each.)

A & B LAND INVESTMENTS, INC

Facility Location (Provide the physical location of the facility, not necessarily the mailing address):

Street Address: 32030 MARGARELLA DRIVE
City: NO NAME KEY County: MONROE COUNTY Zip Code: 70004

Facility Start-Up Date (Estimated start-up date of proposed new facility.)(N/A for existing facility)

Owner/Authorized Representative

Name and Position Title (Person who, by signing this form below, certifies that the facility is eligible to use this air general permit.)

Print Name and Title: **CHRISTOPHER BASS, PROJECT MANAGER/SECRETARY**

Owner/Authorized Representative Mailing Address

Organization/Firm: **A & B LAND INVESTMENTS, INC.**
Street Address: **127 INDUSTRIAL RD #E**
City: **BIG WINE KEY** County: **MONROE** Zip Code: **33043**

Owner/Authorized Representative Telephone Numbers

Telephone: **(305) 896-6619** Fax: **(305) 296-9094**
Cell phone (optional):

Facility Contact (If different from Owner/Authorized Representative)

Name and Position Title (Plant manager or person to be contacted regarding day-to-day operations at the facility.)

Print Name and Title: **DENNIS SCHUBERG, PIT MANAGER**

Facility Contact Mailing Address

Organization/Firm: **A & B LAND INVESTMENTS**
Street Address: **127 INDUSTRIAL RD #E**
City: **BIG WINE KEY** County: **MONROE** Zip Code: **33043**

Facility Contact Telephone Numbers

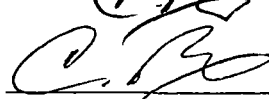
Telephone: **(305) 896-6619** Fax: **(305) 296-9094**
Cell phone (optional):

Owner/Authorized Representative Statement

This statement must be signed and dated by the person named above as owner or authorized representative

I, the undersigned, am the owner or authorized representative of the owner or operator of the facility addressed in this Air General Permit Registration Form. I hereby certify, based on information and belief formed after reasonable inquiry, that the facility addressed in this registration form is eligible for use of this air general permit and that the statements made in this registration form are true, accurate and complete. Further, I agree to operate and maintain the facility described in this registration form so as to comply with all applicable standards for control of air pollutant emissions found in the statutes of the State of Florida and rules of the Department of Environmental Protection and revisions thereof.

I will promptly notify the Department of any changes to the information contained in this registration form.



Signature

6/12/08
Date

Type of Facility

Check one:

Stationary Facility

Relocatable Facility

Type(s) of Precautions Used to Prevent Unconfined Emissions

Check all that apply for the management of roads, parking areas, stock piles and yards:

Maintain Roads/Parking/Yards

Use Water Application

Use Dust Suppressant

Remove Particulate Matter

Reduce Stock Pile Height

Install Wind Breaks

Check the location of spray bars at the nonmetallic mineral processing plant:

Feeders

Entrance to "Crusher"

Exit of "Crusher"

Classifier Screens

Conveyor Drop Points

Description of Reasonable Precautions

Below, or as an attachment to this form, provide details of all types of reasonable precautions to be used to prevent unconfined emissions at the facility.

MATERIALS REMOVED FROM PIT ARE WET WHEN EXTRACTED, THEY REMAIN DAMP THROUGH PROCESSING PLANT. STOCK PILES ARE CONSTANTLY UNDER WATER APPLICATION. MINERAL PILES REMAIN ONSITE - MOST MATERIALS ARE HAULED OFF FOR DELIVERY OR TO OTHER STORAGE SITES.

MATERIALS PROCESSED AT OTHER LOCATIONS; ARE WATERED DOWN PRIOR TO PROCESSING AND ARE MAINTAINED DAMP THROUGHOUT THE ENTIRE PROCESSING. ~~MAT~~ PROCESSED MATERIALS ARE STOCKED ON SITE AND MAINTAINED DAMP UNTIL MATERIAL IS USED AT THE LOCATION ANY EXCESS MATERIAL IS THEN HAULED OFF FOR DELIVERY OR TO STORAGE SITES.

Description of Facility

Below, or as an attachment to this form, provide a description of the nonmetallic mineral processing operations at the facility in sufficient detail to demonstrate the facility's eligibility for use of this air general permit and to provide a basis for tracking any future equipment or process changes at the facility. Describe all air pollutant-emitting processes and equipment at the facility, and identify any air pollution control measures or equipment used.

EQUIPMENT: 4233 RELOCATABLE IMPACT
CRUSHING PLANT.

OPERATIONS OF RELOCATABLE PLANT IS MON-SAT
7:00 AM - 4:30 PM. THIS UNIT PROCESSES APPROX.
75 YARDS OF MATERIAL PER HOUR - THIS IS ITS
AVERAGE MAXIMUM CAPABILITIES.

AIR POLLUTION CONTROL MEASURES;

- MAINTAINING THE EQUIPMENT FOR PROPER
FUNCTIONING.
- USE OF WATER APPLICATION

* SEE ATTACHED E-MAIL FOR EQUIPMENT-SPECIFIC
DETAIL DATED 6/30/08. W. Little

Dibble, Dickson

From: Diann Merriman [diann@pinewoodservices.com]
Sent: Monday, June 30, 2008 7:39 AM
To: Dibble, Dickson
Cc: chris@pinewoodservices.com
Subject: No Name Pit
Attachments: NoNamePit.063008.pdf

Chris Bass, from A&B Land Investments, requested I forward the following information to you.

Kilberg-Pioneer
Model#: 4233
Serial#: 403598
Engine Serial#: 461-45196
Rated Capacity 200 TPH

Also, please see the attachment.

Thank you.

Diann Merriman
Office Administrator
Pinewood Wastewater Services, Inc.
P.O. Box 432010
Big Pine Key, FL 33043
(305)872-2033
(305)872-2977 fax

No virus found in this outgoing message.

Checked by AVG.

Version: 7.5.526 / Virus Database: 270.4.3/1525 - Release Date: 6/29/2008 3:09 PM

7/1/2008

HSI

PRODUCTION CAPACITIES UP



CAPABILITIES

EASILY ADJUSTABLE APRONS PROVIDE QUICK SETTING CHANGES

INNOVATIVE, MAXIMUM PRODUCTION ROTOR DESIGN

REPLACEABLE LINERS PROTECT ENTIRE CRUSHING CHAMBER

BLOW BAR OPTIONS TO MEET SPECIFIC APPLICATION REQUIREMENTS

At a cost that is two times or four times less than that of a standard Siskel HSI, HSI's new roller rotor design offers nearly twice the production capacity of a standard Siskel HSI. Our Maximum Production Roller Rotor design provides a 20% increase in production capacity, resulting in a 20% increase in the amount of material that can be processed in a given hour.

Our roller rotor design also provides a 20% increase in the amount of material that can be processed in a given hour. Our roller rotor design also provides a 20% increase in the amount of material that can be processed in a given hour. Our roller rotor design also provides a 20% increase in the amount of material that can be processed in a given hour.

Feed Opening

Provides an increased feed opening for a wider range of applications.

MPR Rotor

Our Maximum Production Rotor provides the extra capacity of a roller rotor design, resulting in a 20% increase in the amount of material that can be processed in a given hour.

Crusher Housing

Hydraulically operated center for adjustment.

Dual Aprons

Provides a wider range of material processing capabilities.

Apron Wear Tips

These replaceable tips protect the apron from wear and tear, extending its life.

Wear Liners

Built on durable steel, these wear liners are protected by a hard surface.

Model	Motor (Capacity) (Wattage)	Weight	Capacity (Cip Yt)	
4233	42" 1068mm - 33" 828mm	23,000lb	10,570kg	600tph
4240	42" 1068mm - 40" 1016mm	22,500lb	10,205kg	290tph
4250	42" 1068mm - 50" 1268mm	28,200lb	12,782kg	300tph
5280	52" 1320mm - 60" 1523mm	38,000lb	17,211kg	450tph

ACITIES UP TO **450 TPH**

MAXIMUM ADAPTABILITY

Accommodating two, three or four blow bar configurations, Andreas Series HSI Crushers offer the adaptability required to meet the fast-changing aggregate markets. Equipped with our Maximum Performance Rotor, operators gain the flexibility of an open configuration with the mass of a solid design. And with the easy-access

crusher chamber, maintenance is a snap. For effective impact crushing in numerous applications and production rates up to 450 TPH, Andreas Series HSI Crushers meet your needs. Ready to get serious about impact crushing? Get KPI-JCI and Rock On with rock-solid adaptability.

Feed Opening

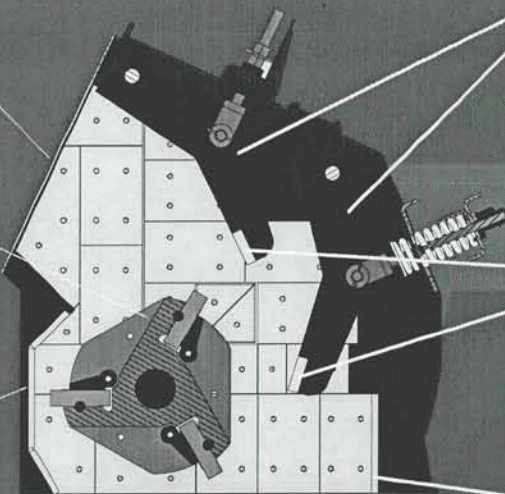
Provides optimal material transition and is well-suited for aggregate and recycling applications.

MPR Rotor

Our Maximum Performance Rotor provides the rugged performance characteristics of a solid rotor with the accessibility of a segmented rotor.

Crusher Housing

Hydraulically opens over center for safe and easy maintenance access.



Dual Aprons

Adjust independently from each other providing maximum application flexibility.

Apron Wear Tips

These replacement bars extend the life of the apron by offering increased protection. Less downtime.

Wear Liners

Bolt-on design eliminates costly downtime associated with damage caused by unprotected surfaces.

Model	Rotor (Diameter-Width) (in/mm)	Weight (lbs/kg)	Capacity Up To (tph/mtph)
4233	42 / 1069 - 33 / 828	23,300 / 10,569	200 / 181
4240	42 / 1069 - 40 / 1016	24,500 / 11,113	250 / 227
4250	42 / 1069 - 50 / 1269	28,200 / 12,792	300 / 272
5260	52 / 1320 - 60 / 1523	39,000 / 17,591	450 / 408

Pioneer[®]

CS4233CC

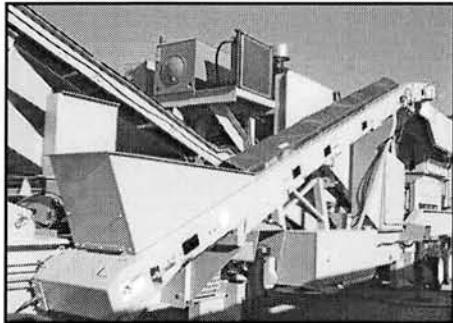
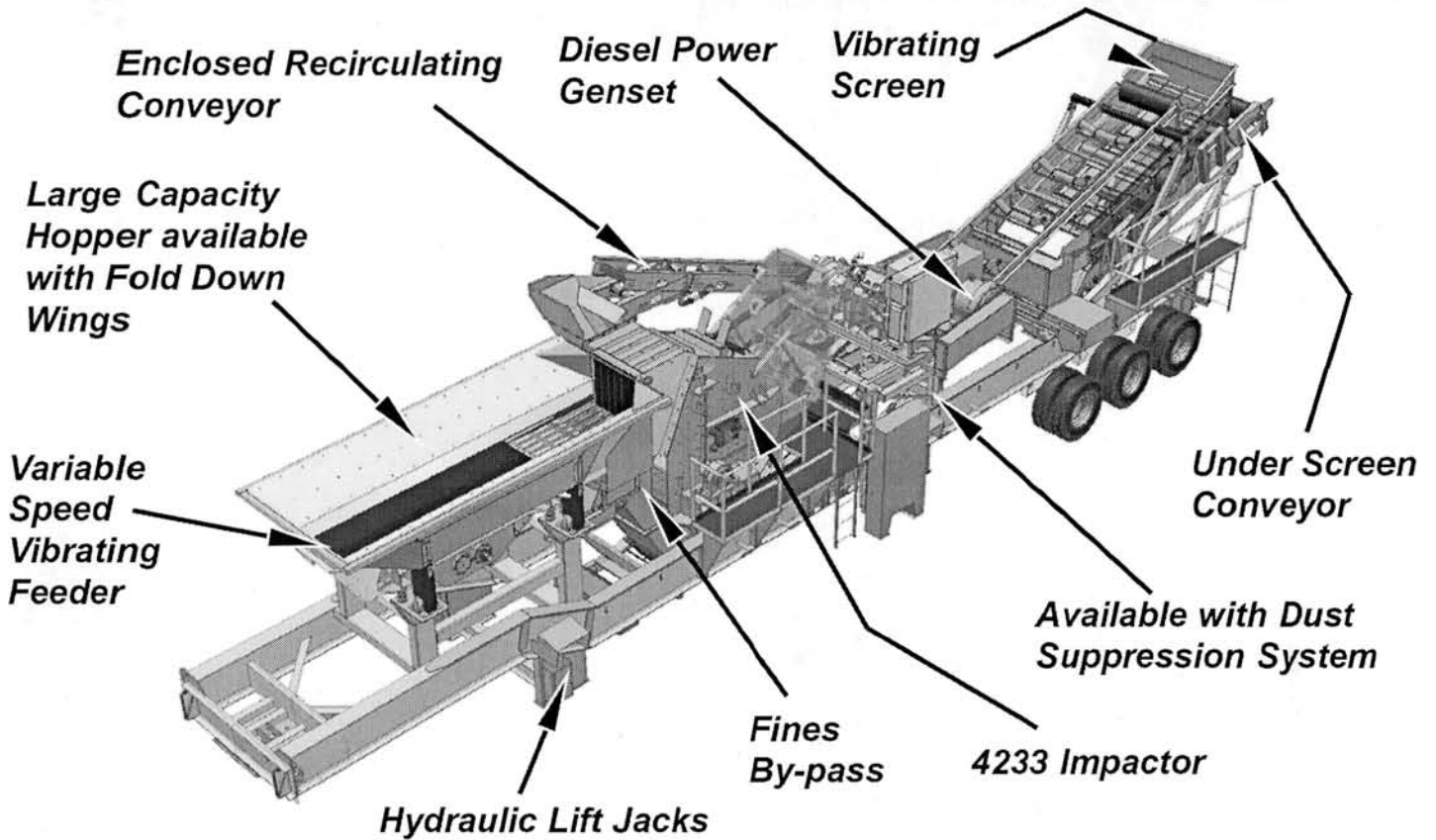
Portable Closed Circuit Impactor Plant



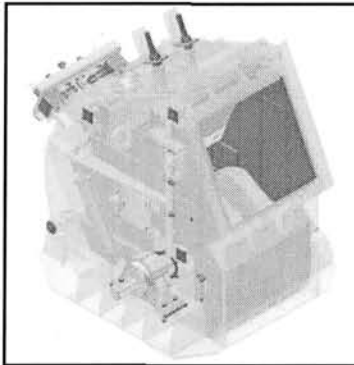
KOLBERG-PIONEER, INC.
an Astec company

COMPLETELY SELF CONTAINED!

Pioneer CS4233CC application flexibility with multi product capability!



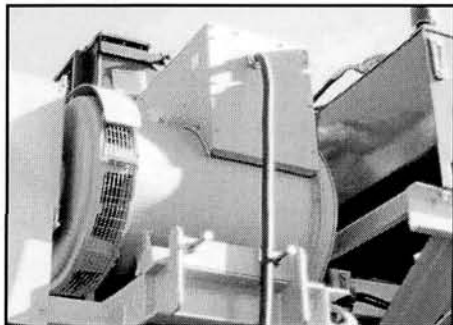
Enclosed recirculating conveyor for closed circuit flexibility and efficiency.



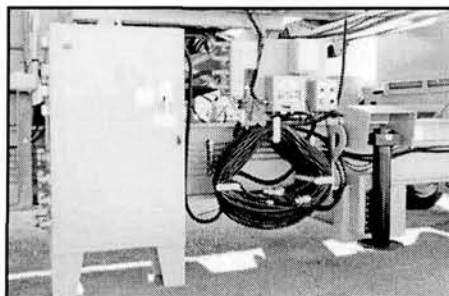
Parametric 3-D designed, performance proven **PIONEER 4233 Impact Crusher**.



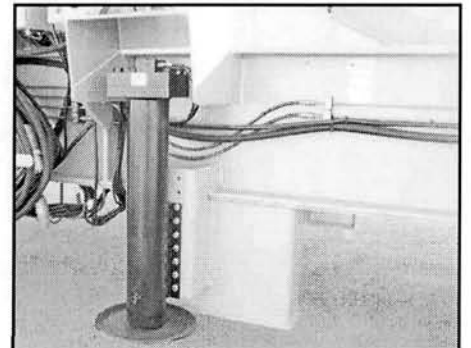
Vibrating screen features hydraulically driven adjustable speed and stroke.



On-board diesel genset for complete system portability and reliability.



Electronic controls feature remote control for feeder operation.



Six hydraulic lift jacks for quick setup.

- Available with on-board hydraulic leveling system for quick setup and leveling.
- Plant mounted closed circuit conveyor system.
- Large 33" x 36" impactor opening, ideal for concrete, asphalt, block & brick, C&D debris and aggregate.
- Produce up to three products simultaneously. Auxiliary electric power for multiple stacking conveyors.
- Remote feeder control for convenient operation.
- Single load portability.



PIONEER CS4233CC Self Contained, Portable, Closed Circuit Plant: The complete crushing solution.

With innovative features and options, the **CS4233CC** provides maximum production and application flexibility.

Featuring a large feed opening, the performance proven **Pioneer 4233** impactor is ideal for processing concrete, asphalt, block & brick, C&D debris and aggregate. The MPR (Maximum Productivity Rotor) design provides maximum productivity and application flexibility with available multiple blow bar metalurgies.

The on board generator provides clean, efficient and convenient electric power to reduce hydraulic maintenance and clean up. Available with hydraulic setup & leveling, auxiliary power, dust suppression and remote feeder control, the **CS4233CC** meet specs that more customers are demanding.

For a high production, complete crushing solution in a self contained package built in the USA, the only choice is the **All New Pioneer CS4233CC**.

SPECIFICATIONS

Engine

- Cummins QSL9-300hp
- 150 Gallon fuel tank

Generator

- 125kw

Hydraulics

- Parker seal lock provides leak free connection
- Hydrostatic pump group and circuit with 60 gallon oil reservoir

Electronics

- Self diagnostics are engaged at each start-up sequence

Impact Crusher

- 4233 with heavy duty shaft and bearings. Replaceable liners & wear lips. Wedge style blow bar retention system.

Vibrating Feeder

- 36" x 15', 5' step deck grizzly, variable speed
- Electric Variable Frequency Drive

Hopper

- 7 cubic yard capacity
- 7' x 16' loading hopper with fixed walls and by-pass chute
- Optional fold down wings

End Delivery Conveyor

- 36" x 40', 10hp electric drive

Side Delivery Conveyor

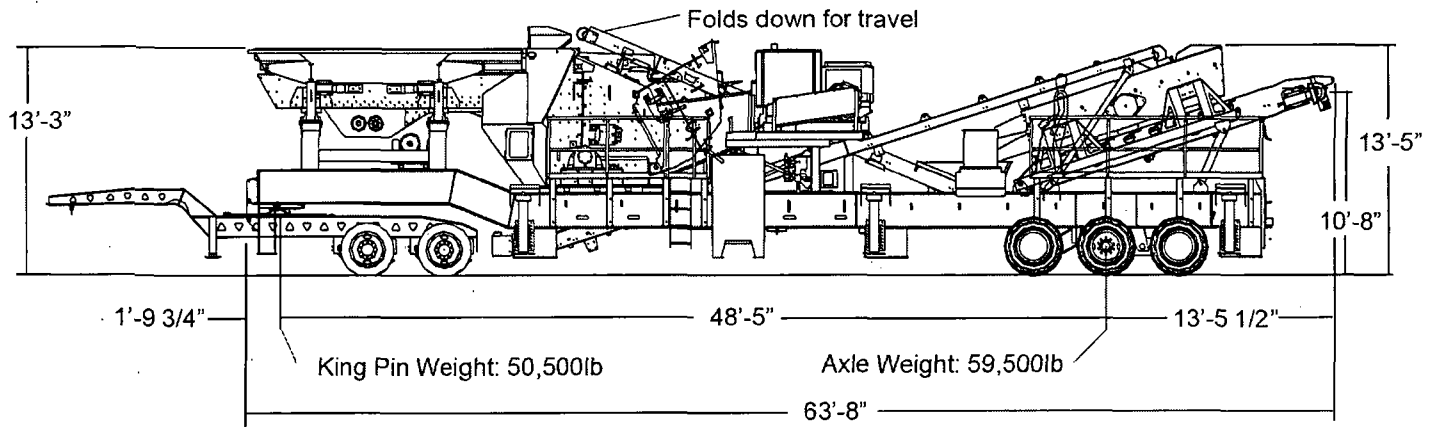
- 24" x 12', 5hp electric drive

Recirculating Conveyor System

- 18" inclined conveyor with cleated belt, 5hp electric drive
- 24" x 9' side delivery conveyor, 5hp electric drive

Options

- 5' x 12' two deck screen w/side delivery & underscreen conveyors
- Permanent self-cleaning cross belt magnet
- Hydraulic fold hopper wings for additional 5 cubic yard capacity
- Side delivery conveyor
- Close circuit conveyor
- Dust suppression system
- Hydraulic leveling jacks



Overall Length: 63'-8"

Overall Width: 12'

Travel Height: 13'-5"

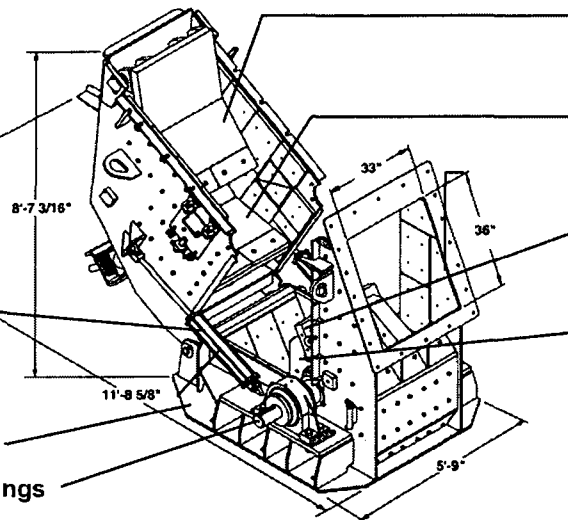
Travel Width: 12'

**Weight: 110,000 lb approximate
with magnet removed**

Weight at King Pin: 50,500lb

Weight at Axle: 59,500lb

Hydraulic Cylinder
Chamber hydraulically opens past center for easy access



First Stage Apron
Abrasion resistant aprons with replaceable wear tips

Second Stage Apron
Abrasion resistant aprons with replaceable wear tips

Blow Bars
Three replaceable/reversible blow bars

Rotor
Fabricated MPR rotor is stress-relieved

The MPR (Maximum Productivity Rotor) design delivers the strength of a solid rotor design with the features of an open rotor design

Process up to 275 Tons per Hour

Because KPI may use in its catalog & literature, field photographs of its products which may have been modified by the owners, products furnished by KPI may not necessarily be as illustrated therein. Also continuous design progress makes it necessary that specifications be subject to change without notice. All sales of the products of KPI are subject to the provisions of its standard warranty. KPI does not warrant or represent that its products meet any federal, state, or local statutes, codes, ordinances, rules, standards or other regulations, including OSHA and MSHA, covering safety, pollution, electrical wiring, etc. Compliance with these statutes and regulations is the responsibility of the user and will be dependent upon the area and the use to which the product is put by the user. In some photographs, guards may have been removed for illustrative purposes only. This equipment should not be operated without all guards attached in their normal position. Placement of guards and other safety equipment is often dependent upon the area and the use to which the product is put. A safety study should be made by the user of the application, and, if required additional guards, warning signs and other safety devices should be installed by the user, wherever appropriate before operating the products.

 **KOLBERG-PIONEER, INC.**
an Astec company

700 W. 21st St. - P.O. Box 20 - Yankton, SD 57078

Phone: (605) 665-8771 - FAX: (605) 665-8858

mail@kolbergpioneer.com

800-542-9311

www.kpijci.com

192210003863

3900 COMMONWEALTH BLVD
TALLAHASSEE FL 32399-6515

P: PINK S: OUT I:
WILL-1017
1ZF5X219221000 3863
FBBRYJ FL TAL173 JUN 17 08:26:10 2008
TB 3230 HIP 7.0.6 LP2844 **1030**

UPS Worldwide
Shipping Document

Apply shipping documents on this side.

Do not use this envelope for:

- UPS Ground
- UPS Standard
- UPS 3 Day SelectSM
- UPS Worldwide ExpeditedSM

WEIGHT	DIMENSIONAL WEIGHT	LARGE AIR PACKAGE	SHIPPER RELEASE
LTR		<input type="checkbox"/>	<input type="checkbox"/>

- EXPRESS (INT'L)
- DOCUMENTS ONLY
-

The shipper authorizes UPS to act as forwarding agent for export control and customs purposes. The shipper certifies that these commodities, technology or software were exported from the United States in accordance with the Export Administration Regulations. Diversion contrary to U.S. law is prohibited.

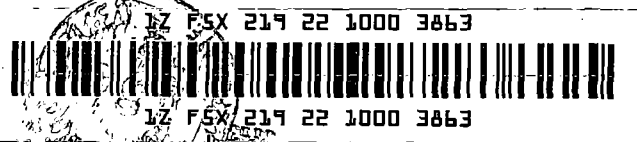
are subject to

SATURDAY DELIVERY

SHIPMENT FROM
UPS ACCOUNT NO. **F5X219**

REFERENCE NUMBER
A & Bland Investments (305) 291-
TELEPHONE

127 Industrial Rd., Suite E
Big Pine Key, FL 33043



DELIVERY TO
TELEPHONE

FDEP Receipts
3900 Commonwealth Blvd, N15
Tallahassee, FL 32399
32399

UPS Next Day Air[®]



SHIPMENT ID NUMBER **F5X2 1979 XWH**

911202609 1/05 S

United Parcel Service, Louisville, KY

Subject to the rules relating to liability and other terms and/or conditions established by the Convention for the Unification of Certain Rules Relating to International Carriage by Air (the "Warsaw Convention") and/or the Convention on the Unification of Certain Rules Relating to International Carriage by Sea (the "Hague-Visby Convention"). These commodities, technology or software were exported from the U.S. in accordance with the Export Administration Regulations. Diversion contrary to U.S. law prohibited.