



# Florida Department of Environmental Protection

Bob Martinez Center  
2600 Blair Stone Road  
Tallahassee, Florida 32399-2400

Charlie Crist  
Governor

Jeff Kottkamp  
Lt. Governor

Michael W. Sole  
Secretary

May 8, 2008

Ms. Allison LaRocco  
Concrete Manager  
J.A. LaRocco Enterprise, Incorporated  
743 Largo Road  
Key Largo, Florida 33037

Dear Ms. LaRocco:

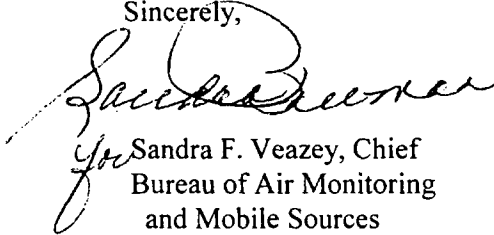
This is to acknowledge that your notification of intent to use the authority of Rule 62-210.310 to operate your facility was received on April 7, 2008. We have assigned ARMS No. 7775348-002 to this facility.

As you know, pursuant to Florida Statutes section 403.814, authority to operate under general permits commences thirty days after receipt of the registration form unless you have been notified by this office that your facility has not shown entitlement to operate pursuant to the rule provisions.

For your information, authority to operate pursuant to Rule 62-210.310 expires after 5 years. Therefore, a new registration form must be received no later than 5 years after the date your notice was received as indicated above. If your general permit rule conditions require testing, such testing must be completed within the time frame specified in the rule.

If you have any additional questions, please contact Dickson Dibble at 850/921-9586.

Sincerely,



Sandra F. Veazey, Chief  
Bureau of Air Monitoring  
and Mobile Sources

SFV/pg

cc: Mr. Sherrill Culliver, South District

**CONCRETE BATCHING PLANT  
AIR GENERAL PERMIT REGISTRATION FORM**

**Part II. Notification to Permitting Office**

(Detach and submit to appropriate permitting office; keep copy onsite)

**Instructions:** To give notice to the Department of an eligible facility's intent to use this air general permit, the owner or operator of the facility must detach and complete this part of the Air General Permit Registration Form and submit it to the appropriate Department of Environmental Protection or local air pollution control program office which has permitting authority. Please type or print clearly all information, and enclose the appropriate air general permit registration processing fee pursuant to Rule 62-4.050, F.A.C. (\$100 as of the effective date of this form)

Bureau of Air Monitoring  
& Mobile Sources  
APR 09 2008

RECEIVED

7775348-002

**Registration Type**

Check one:

**INITIAL REGISTRATION** - Notification of intent to:

- Construct and operate a proposed new facility.  
 Operate an existing facility not currently using an air general permit (e.g., a facility proposing to go from an air operation permit to an air general permit).

**RE-REGISTRATION** (for facilities currently using an air general permit) - Notification of intent to:

- Continue operating the facility after expiration of the current term of air general permit use.  
 Continue operating the facility after a change of ownership.  
 Make an equipment change requiring re-registration pursuant to Rule 62-210.310(2)(e), F.A.C., or any other change not considered an administrative correction under Rule 62-210.310(2)(d), F.A.C.

**Surrender of Existing Air Operation Permit(s) - For Initial Registrations Only**

If the facility currently holds one or more air operation permits, such permit(s) must be surrendered by the owner or operator upon the effective date of this air general permit. In such case, check the first box, and indicate the operation permits being surrendered. If no air operation permits are held by the facility, check the second box.

- All existing air operation permits for this facility are hereby surrendered upon the effective date of this air general permit; specifically permit number(s):  
7775348001AG (Air General Permit)  
 No air operation permits currently exist for this facility.

**General Facility Information**

**Facility Owner/Company Name** (Name of corporation, agency, or individual owner who or which owns, leases, operates, controls, or supervises the facility.)

J. A. LaRocco Enterprise Inc.

**Site Name** (Name, if any, of the facility site; e.g., Plant A, Metropolis Plant, etc. If more than one facility is owned, a registration form must be completed for each.)

N/A

**Facility Location** (Provide the physical location of the facility, not necessarily the mailing address.)

Street Address: 743 Largo Road

City: Key Largo

County: Monroe

Zip Code: 33037

**Facility Start-Up Date** (Estimated start-up date of proposed new facility.)(N/A for existing facility)

N/A

**Owner/Authorized Representative**

Name and Position Title (Person who, by signing this form below, certifies that the facility is eligible to use this air general permit.)

Print Name and Title: Allison LaRocco, Concrete manager

Owner/Authorized Representative Mailing Address

Organization/Firm: J. A. LaRocco Enterprise Inc

Street Address: 743 Largo Road

City: Key Largo

County: Monroe

Zip Code: 33037

Owner/Authorized Representative Telephone Numbers

Telephone: 305-453-0368

Fax: 305-451-3074

Cell phone (optional):

**Facility Contact (If different from Owner/Authorized Representative)**

Name and Position Title (Plant manager or person to be contacted regarding day-to-day operations at the facility.)

Print Name and Title: same

Facility Contact Mailing Address

Organization/Firm:

Street Address: same

City:

County:

Zip Code:

Facility Contact Telephone Numbers

Telephone: same

Fax:

Cell phone (optional):

**Owner/Authorized Representative Statement**

This statement must be signed and dated by the person named above as owner or authorized representative

*I, the undersigned, am the owner or authorized representative of the owner or operator of the facility addressed in this Air General Permit Registration Form. I hereby certify, based on information and belief formed after reasonable inquiry, that the facility addressed in this registration form is eligible for use of this air general permit and that the statements made in this registration form are true, accurate and complete. Further, I agree to operate and maintain the facility described in this registration form so as to comply with all applicable standards for control of air pollutant emissions found in the statutes of the State of Florida and rules of the Department of Environmental Protection and revisions thereof.*

*I will promptly notify the Department of any changes to the information contained in this registration form.*

Allison M LaRocco  
Signature

4-2-08  
Date

**Type of Facility**

Check one:

Stationary Facility

Relocatable Facility

**Type(s) of Reasonable Precautions Used to Prevent Unconfined Emissions**

Check all precautions to be used for the management of roads, parking areas, stock piles and yards:

Pave Roads

Pave Parking Areas

Pave Yards

Maintain Roads/Parking/Yards

Use Water Application

Use Dust Suppressant

Remove Particulate Matter

Reduce Stock Pile Height

Install Wind Breaks

Check all precautions to be used for the management of drop points to trucks:

Spray Bar

Chute

Enclosure

Partial enclosure

**Description of Reasonable Precautions**

Below, or as an attachment to this form, provide details of all types of reasonable precautions to be used to prevent unconfined emissions at the facility.

See attached.

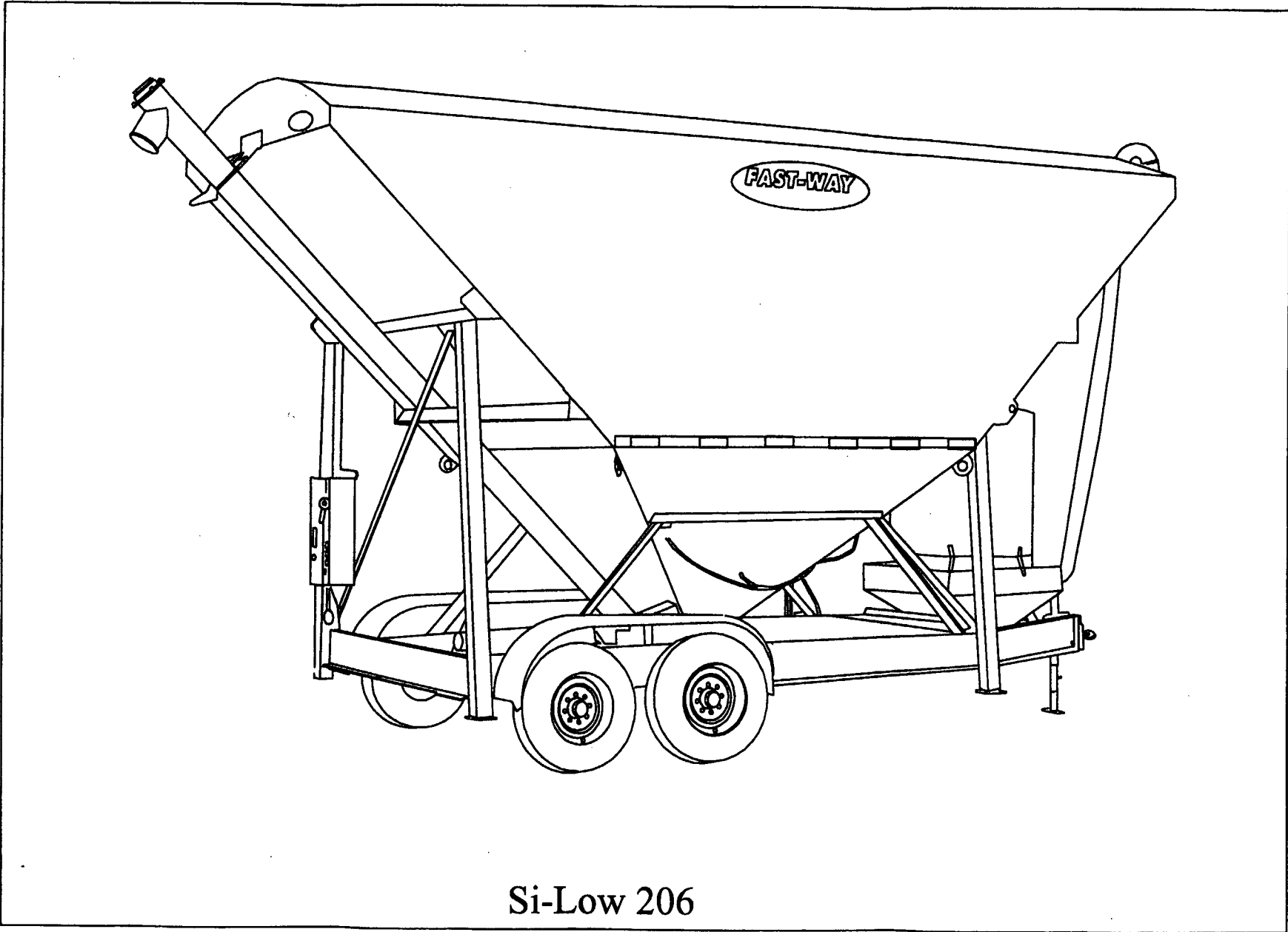
**Description of Facility**

Below, or as an attachment to this form, provide a description of the concrete batching plant operations at the facility in sufficient detail to demonstrate the facility's eligibility for use of this air general permit and to provide a basis for tracking any future equipment or process changes at the facility. Describe all air pollutant-emitting processes and equipment at the facility, and identify any air pollution control measures or equipment used.

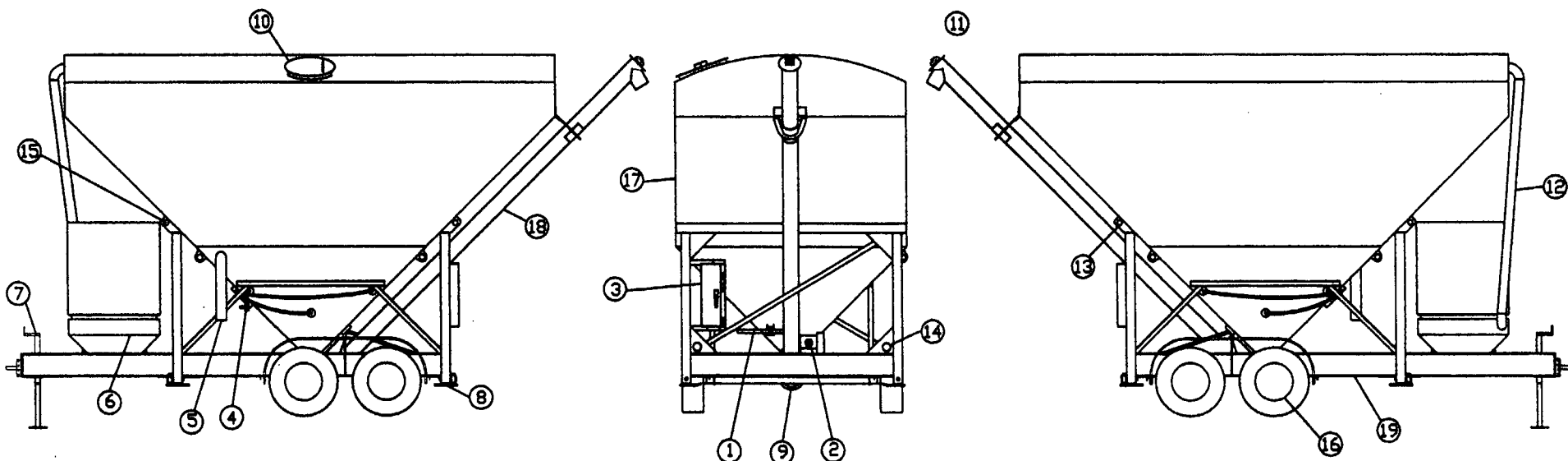
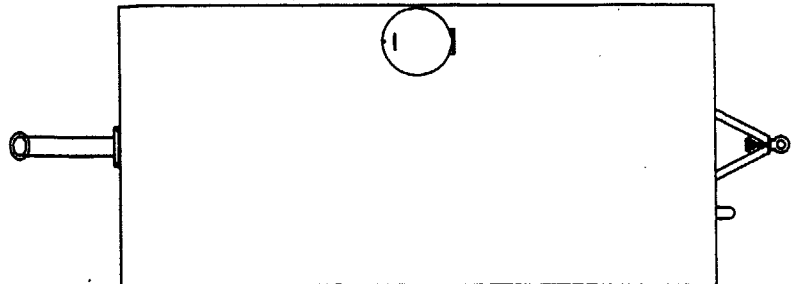
2-10 cy mobile concrete dispensers- volumetric  
Mixer trucks. with 200 ABC L-profile silo with  
internal baghouse with 99.8% efficiency. Silo is  
portable without assembly.

\*Please see attached specifications.

Average daily output 18cy. Hours of operation  
0800-1700 hrs. Concrete output only.

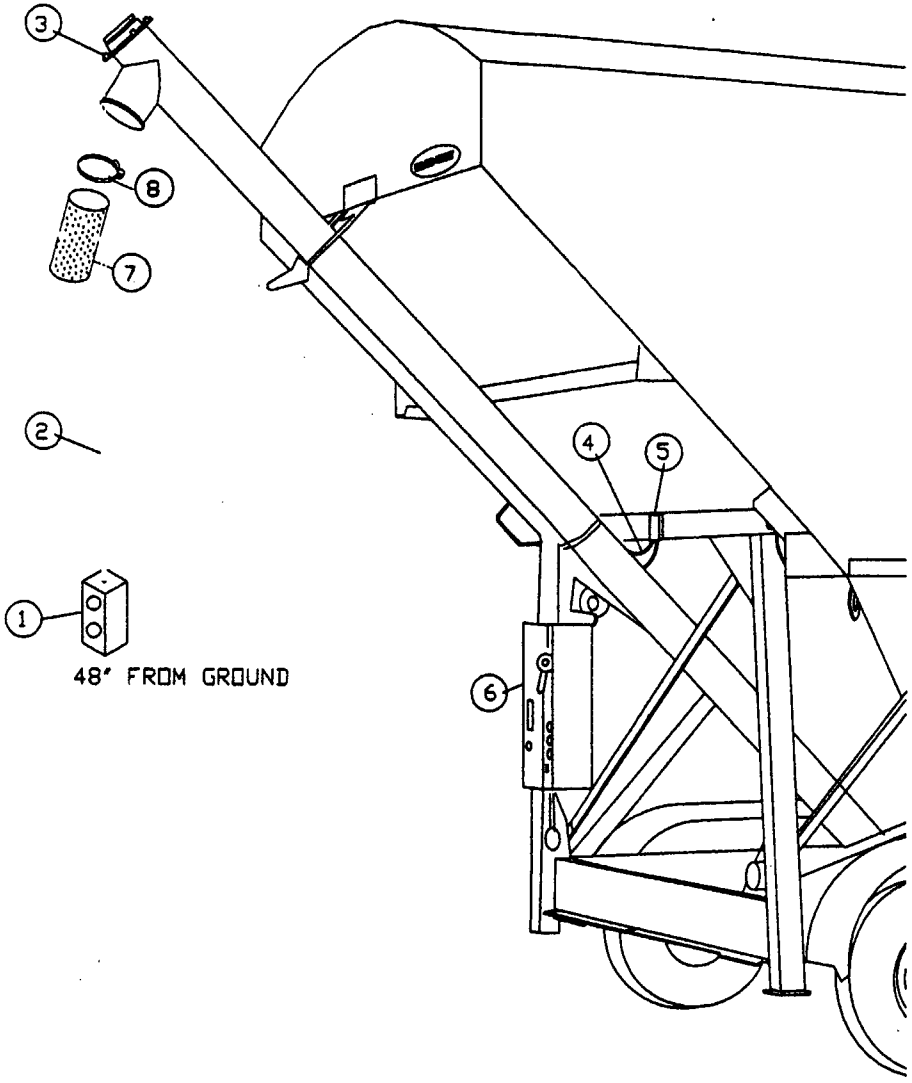


Si-Low 206

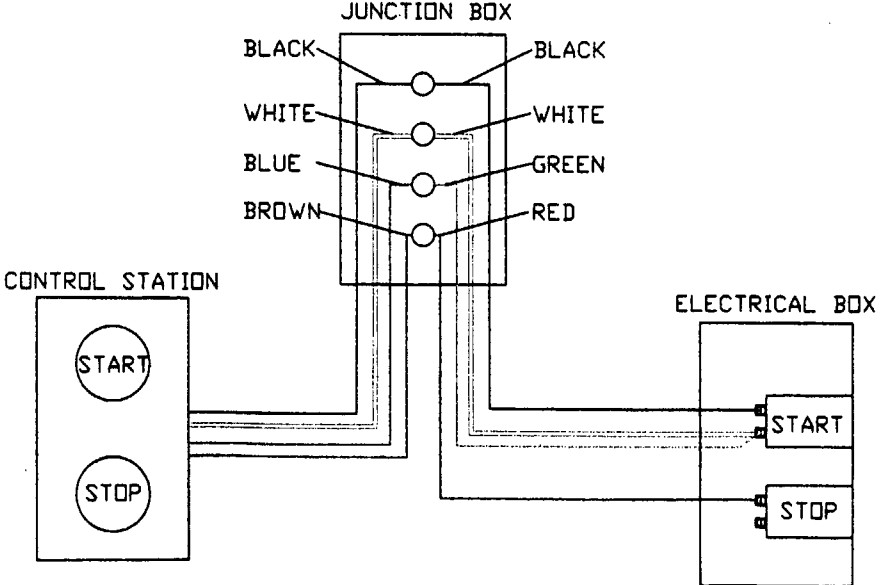


Si-Low 206  
GENERAL LAY OUT

Si-Low 206  
 OPTIONAL CONTROL SYSTEM



REF NO.	PART NO.	DESCRIPTION	REQ NO
1	POO772	Control Station	1
2	POO775	Four Pin Mini Straight Female 20' Power Cord	1
3	N/A	DG-4 Clamp	2
4	N/A	1/4 Electrical Wire 10'-6"	1
5	PEO236	Junction Box	1
5	PEO237	Junction Box Cover	1
5	PEO246	3- Cord Connector	1
6	POO908	Electrical Box 220 three phase	1
6	POO907	Electrical Box 440 three phase	1
7	POO122	Discharge Boot	1
8	POO121	Hose Clamp	1



NOTE: REMOVE RED JUMPER BETWEEN START AND STOP SWITCHES



## SILO BAGHOUSE

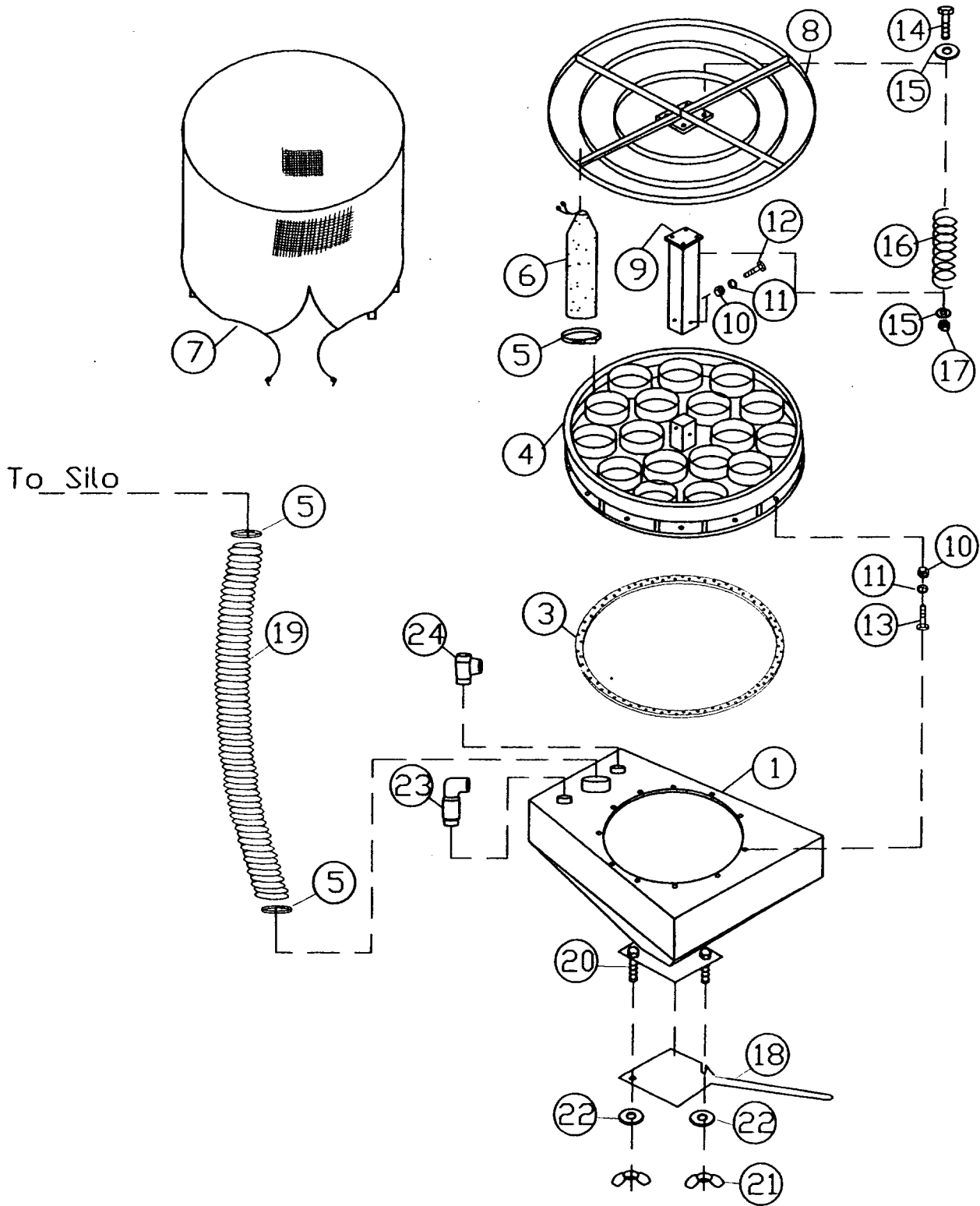
**SUBJECT:** Silo Baghouse (Air Filtering System)

**PURPOSE:** To prevent cement dust from entering the atmosphere during the filling process of the storage vessel.

**DESCRIPTION:** Filters:  
Quantity - 18  
Material - 10 oz polyester material -  
25 cfm per square foot  
Filter Surface - (each) 784 sq. in. = 5.44 sq. ft  
Total square feet of filter material = 98 sq. ft.  
Total cfm at 25 cfm per square foot = 2450 cfm

**MAINTENANCE:** Spring loaded upper bag mount that facilitates bag shaking both by wind action as well as manual action to result in filter bag cleaning. Clean out Hopper.

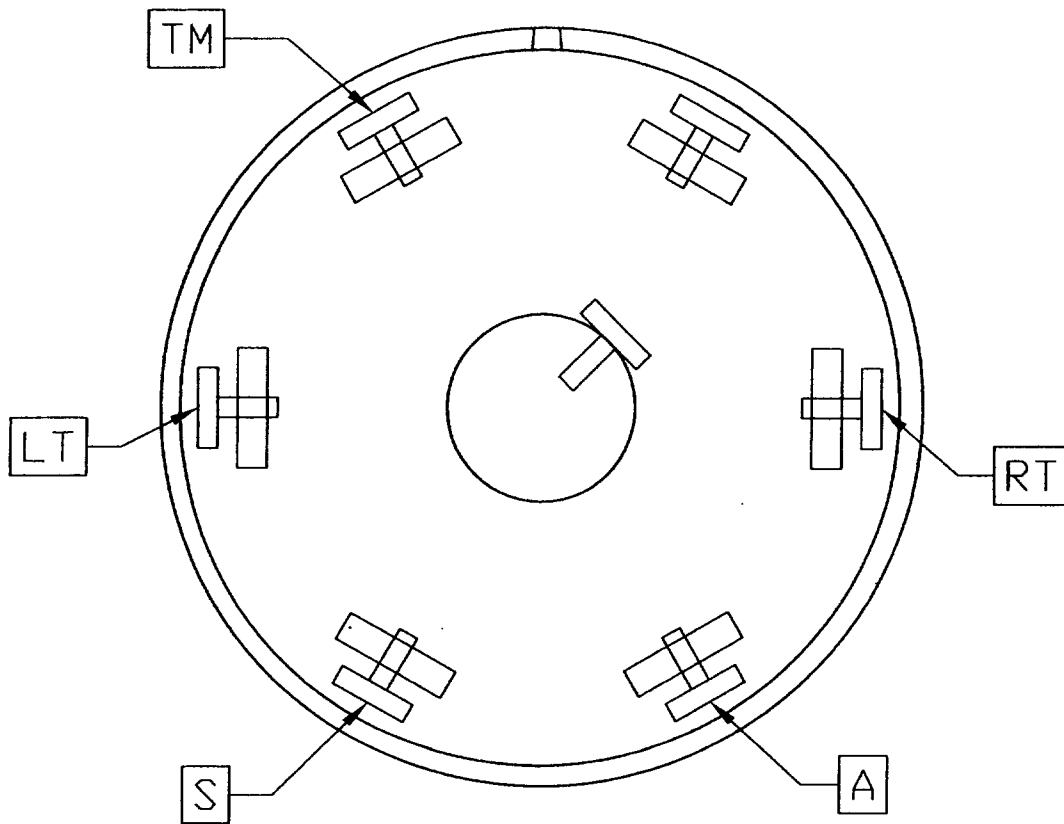
**EFFICIENCY:** 99.8%



Si-Low-206

BAGHOUSE ASSEMBLY

TOP  
INSIDE VIEW



SEVEN POLE PLUG CONNECTOR

	DESCRIPTION	
TM	Tail & Clearance Lights	BROWN
S	Brake Ground	WHITE
RT	Right Signal	GREEN
LT	Left Signal	YELLOW
GD	Ground for Lights	WHITE
A	Hot Wire for Brake	BLACK

Si-Low-206  
ELECTRICAL CONNECTOR FOR TOWING

DATE  
3-25-05

**Florida Department of Environmental Protection  
Cash Receiving Application (CRA)  
Cashlisting by Deposit #: 281572 thru 281572  
Printed: 4/7/2008 4:39:54 PM - Page 20**

Cashlisting: 67726 Cashlist Area: 3755 Description: DIV OF AIR RESOURCES MGMT.  
Deposit No: 281572 Date Deposited: 04/07/2008 Contact: E. WALKER

Object	Transmittal	Dep DDN	Receipt Number	Pre-Numbered Receipt	Name	Check Number	Payment Amount	Reference Account	Payment Number	Remittance Number	Fund	
002272	47780	481840	621184		DURATEK PRECAST TECHNOLOGIES I	1390	\$100.00		868655	771469	PFTF	
	47780	481862	621206		J A LAROCCO ENTERPRISE INC	017299	\$100.00	7775348-002 4/21/2008-CCB	868675	771491	PFTF	
<b>Object Code 002272 Subtotal:</b>							\$200.00					
002278	47780	481851	621195		LVI ENVIRONMENTAL SERVICES INC	545683	\$200.00	47892	868665	771480	APCTF	
	47780	481851	621195		LVI ENVIRONMENTAL SERVICES INC	545683	\$100.00	48280	868666	771480	APCTF	
	47780	481853	621197		GREENBERG ENVIRONMENTAL INC	7740	\$100.00	48221	868667	771482	APCTF	
	47780	481857	621201		BROCK SPECIALTY SERVICES LTD	146450	\$300.00	47696	868671	771486	APCTF	
<b>Object Code 002278 Subtotal:</b>							\$700.00					
<b>Cashlisting 67726 Total:</b>							\$900.00					

J. A. LAROCCO ENTERPRISE, INC. 743 LARGO ROAD KEY LARGO, FLORIDA 33037

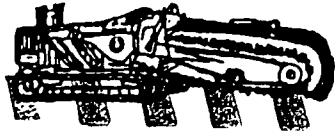
VENDOR NO: FLADEP

NAME: Florida Dept. of Environ. Protection

CHECK DATE: 4-02-08

017299

REFERENCE NUMBER	INVOICE DATE	GROSS AMOUNT	DISCOUNT TAKEN	NET AMOUNT PAID
Permit App Fee Concrete Batch	04-02-08			\$ 100.00
TOTAL ▶				



J.A. LaROCCO ENTERPRISE INC.

743 LARGO ROAD

KEY LARGO, FLORIDA 33037



APR

1

2008

FL DEPT OF ENVIRONMENTAL PROTECTION

RECEIPTS

POST OFFICE BOX 3070

TALLAHASSEE, FLORIDA 32315-3070

323153070 8099

