

RECEIVED

NOV 30 2009

Division of Air Monitoring
Mobile Sources

CONCRETE BATCHING PLANT AIR GENERAL PERMIT REGISTRATION FORM

Part II. Notification to Permitting Office

(Detach and submit to appropriate permitting office; keep copy onsite)

Instructions: To give notice to the Department of an eligible facility's intent to use this air general permit, the owner or operator of the facility must detach and complete this part of the Air General Permit Registration Form and submit it to the appropriate Department of Environmental Protection or local air pollution control program office which has permitting authority. Please type or print clearly all information, and enclose the appropriate air general permit registration processing fee pursuant to Rule 62-4.050, F.A.C. (\$100 as of the effective date of this form)

7775149-005

Registration Type

Check one:

INITIAL REGISTRATION - Notification of intent to:

- Construct and operate a proposed new facility.
 Operate an existing facility not currently using an air general permit (e.g., a facility proposing to go from an air operation permit to an air general permit).

RE-REGISTRATION (for facilities currently using an air general permit) - Notification of intent to:

- Continue operating the facility after expiration of the current term of air general permit use.
 Continue operating the facility after a change of ownership.
 Make an equipment change requiring re-registration pursuant to Rule 62-210.310(2)(e), F.A.C., or any other change not considered an administrative correction under Rule 62-210.310(2)(d), F.A.C.

Surrender of Existing Air Operation Permit(s) - For Initial Registrations Only

If the facility currently holds one or more air operation permits, such permit(s) must be surrendered by the owner or operator upon the effective date of this air general permit. In such case, check the first box, and indicate the operation permits being surrendered. If no air operation permits are held by the facility, check the second box.

- All existing air operation permits for this facility are hereby surrendered upon the effective date of this air general permit; specifically permit number(s):
7775149-004-AG
 No air operation permits currently exist for this facility.

General Facility Information

Facility Owner/Company Name (Name of corporation, agency, or individual owner who or which owns, leases, operates, controls, or supervises the facility.)

CEMEX Construction Materials Florida, L.L.C.

Site Name (Name, if any, of the facility site; e.g., Plant A, Metropolis Plant, etc. If more than one facility is owned, a registration form must be completed for each.)

CEMEX - Card Sound Portable Ready-Mix

Facility Location (Provide the physical location of the facility, not necessarily the mailing address.)

Street Address: 15900 S. W. 408th Street

City: Florida City

County: Miami-Dade

Zip Code: 33034

Facility Start-Up Date (Estimated start-up date of proposed new facility.) (N/A for existing facility)

N/A

Owner/Authorized Representative

Name and Position Title (Person who, by signing this form below, certifies that the facility is eligible to use this air general permit.)

Print Name and Title: Jeffrey R. Porter - Environmental Manager, South Florida Materials Division

Owner/Authorized Representative Mailing Address

Organization/Firm: CEMEX Construction Materials Florida, L.L.C.

Street Address: 1501 Belvedere Road

City: West Palm Beach

County: Palm Beach

Zip Code: 33406

Owner/Authorized Representative Telephone Numbers

Telephone: (561) 820-8415

Fax: (561) 820-8643

Cell phone (optional): (561) 718-7564

Facility Contact (If different from Owner/Authorized Representative)

Name and Position Title (Plant manager or person to be contacted regarding day-to-day operations at the facility.)

Print Name and Title: Edward Williams - Operations Foreman

Facility Contact Mailing Address

Organization/Firm: CEMEX Construction Materials Florida, L.L.C.

Street Address: 15900 S. W. 408th Street

City: Florida City

County: Miami-Dade

Zip Code: 33034

Facility Contact Telephone Numbers

Telephone: (305) 247-3011

Fax: (305) 248-9112


Cell phone (optional):

Owner/Authorized Representative Statement

This statement must be signed and dated by the person named above as owner or authorized representative

I, the undersigned, am the owner or authorized representative of the owner or operator of the facility addressed in this Air General Permit Registration Form. I hereby certify, based on information and belief formed after reasonable inquiry, that the facility addressed in this registration form is eligible for use of this air general permit and that the statements made in this registration form are true, accurate and complete. Further, I agree to operate and maintain the facility described in this registration form so as to comply with all applicable standards for control of air pollutant emissions found in the statutes of the State of Florida and rules of the Department of Environmental Protection and revisions thereof.

I will promptly notify the Department of any changes to the information contained in this registration form.


Signature

11/18/09
Date

Type of Facility

Check one:

Stationary Facility **Relocatable Facility**

Type(s) of Reasonable Precautions Used to Prevent Unconfined Emissions

Check all precautions to be used for the management of roads, parking areas, stock piles and yards:

<input type="checkbox"/> Pave Roads	<input type="checkbox"/> Pave Parking Areas	<input type="checkbox"/> Pave Yards
<input checked="" type="checkbox"/> Maintain Roads/Parking/Yards	<input checked="" type="checkbox"/> Use Water Application	<input type="checkbox"/> Use Dust Suppressant
<input type="checkbox"/> Remove Particulate Matter	<input type="checkbox"/> Reduce Stock Pile Height	<input type="checkbox"/> Install Wind Breaks

Check all precautions to be used for the management of drop points to trucks:

<input checked="" type="checkbox"/> Spray Bar	<input type="checkbox"/> Chute	<input type="checkbox"/> Enclosure
	<input checked="" type="checkbox"/> Partial enclosure	

Description of Reasonable Precautions

Below, or as an attachment to this form, provide details of all types of reasonable precautions to be used to prevent unconfined emissions at the facility.

Aggregate stockpiles in the yard are kept watered, partly for quality control and partly to reduce potential emissions from these materials. Fugitive dust from the vehicular driveways and operating yard is controlled by periodic applications of water. Unused concrete which is brought back to the site is stored in a concrete-walled washout structure, which reduces the area needed to dry the material, while keeping it out of the main traffic pattern, where it would generate additional fugitive emissions.

Description of Facility

Below, or as an attachment to this form, provide a description of the concrete batching plant operations at the facility in sufficient detail to demonstrate the facility's eligibility for use of this air general permit and to provide a basis for tracking any future equipment or process changes at the facility. Describe all air pollutant-emitting processes and equipment at the facility, and identify any air pollution control measures or equipment used.

Portable Ready-Mix Concrete Batching Facility, which utilizes cement, flyash, slag and aggregate materials to produce ready-mix concrete. Dust emissions generated during the filling of the plants' silos or loading of concrete mixer trucks are controlled by cartridge dust collectors. Details of these emissions units (EU's) are as follows:

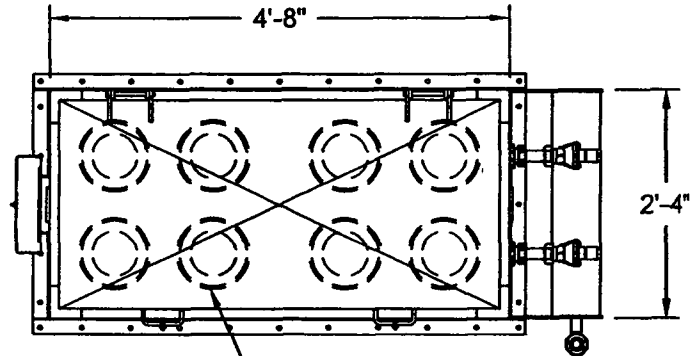
⁰⁰⁵
EU-01 - Cement silo compartment no. 1 (with a C. & W. Dust Systems Model CP-305-839 cartridge dust collector / proposed).

⁰⁰⁶
EU-02 - Cement silo compartment no. 2 (with a C. & W. Dust Systems Model CP-305-839 cartridge dust collector / proposed).

EU-03 - Cement weigh hopper (with a McNeilus Model BFV-15 baghouse batcher vent).

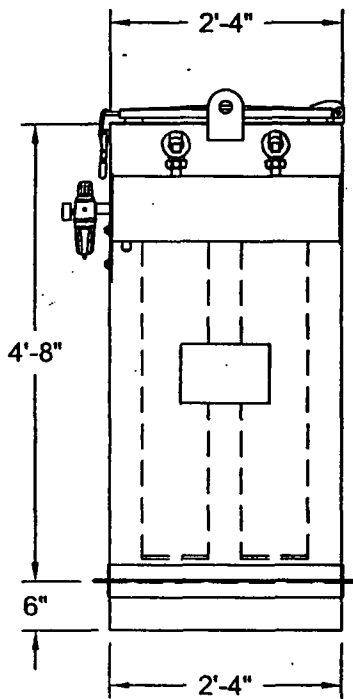
EU-04 - Concrete mixer truck loadout (with a C. & W. Dust Systems Model CP-900-1278 central cartridge dust collector).

NOTE: THIS PRINT NOT FOR
CONSTRUCTION. FOR
GENERAL REF. ONLY

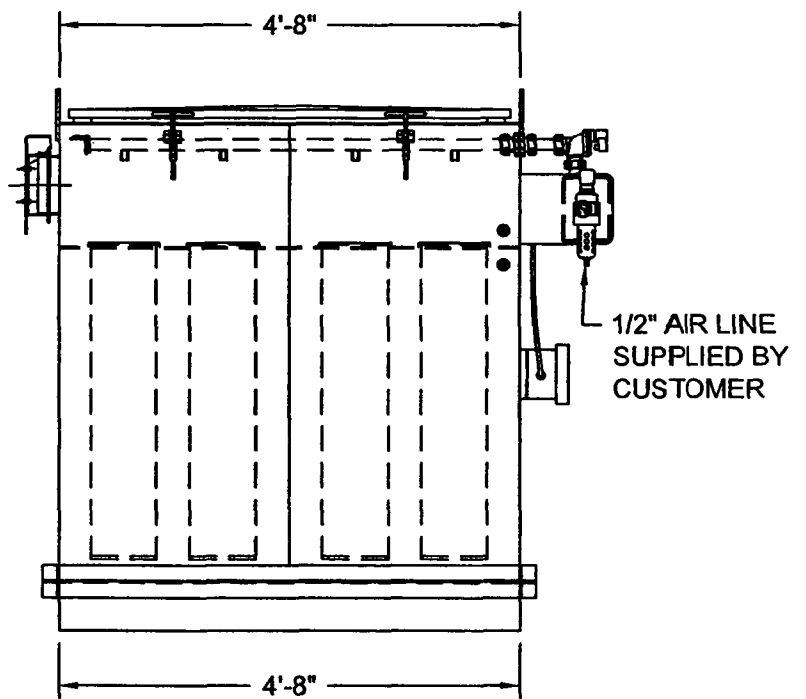


(8) 8" DIA. X 39" LG.
CARTRIDGES

TOP VIEW



FRONT VIEW



SIDE VIEW

CP-305-839 PULSE JET COLLECTOR



C & W MFG. & SALES CO.
6933 SHELMOR RD.
ALVARADO, TX. 76009 (817) 790-5000

**Specifications for CP Silo Collectors
at 6" Static Pressure**

Model Number	CP-230-639	CP-300-839	CP-310-478	CP-380-1039	CP-450-678	CP-610-878
Number of Cartridges	6	8	4	10	6	8
Cartridge Diameter & Length	8"x39"	8"x39"	8"x78"	8"x39"	8"x78"	8"x78"
Number of Solenoids	2	2	2	2	2	2
Total Filtration Area	228	304	304	380	456	608
Min. Design Efficiency	99.99%	99.99%	99.99%	99.99%	99.99%	99.99%
Air to Cloth Ratio (ACFM/Ft.2)	3.5	5.3	5.3	5.3	5.5	4.9
Filtration Velocity (Ft./Min.)	3.5	5.3	2.6	5.3	5.5	4.9
Blower Horsepower (optional)	2	3	3	3	5	5
Static Pressure Drop (WC)	6"	6"	6"	6"	6"	6"
Normal Air Capacity	850	1600	1600	2000	2500	3000
Outlet Area (Ft.2)	0.196	0.64	0.64	0.81	0.79	1.00
Outlet Velocity (Ft./Sec.)	68.03	41.67	41.67	41.15	52.74	50.00
Outlet Moisture Content (Ideally)	0	0	0	0	0	0
Cleaning Mechanism	Pulse Jet w/ Timer	Pulse Jet w/ Timer	Pulse Jet w/ Timer	Pulse Jet w/ Timer	Pulse Jet w/ Timer	Pulse Jet w/ Timer
*Inlet Dust Concentration	12,000	24,000	24,000	30,000	37,500	45,000
*Outlet Emissions (Gr/Min)	1.20	2.40	2.40	3.00	3.75	4.50
*Outlet Dust Loading (Gr/Cf)	0.0015	0.0015	0.0015	0.0015	0.0015	0.0015
*These Calculations Based on Inlet Loading of 15 Gr. / Ft. 3 Your State Environmental Dept. may request additional information. If so, contact C & W Engineering The Fabric Material is 100% Spun Bound Polyester The Approximate Weight of the Filter Media is 8.1Oz.						

**Specifications for CP Silo Collectors
at 6" Static Pressure**

Model Number	CP-760-1078	CP-900-1278	CP-1220-1678	CP-1520-2078	CP-2250-3078
Number of Cartridges	10	12	16	20	30
Cartridge Diameter & Length	8"X 78"	8"X 78"	8"X 78"	8"X 78"	8"X 78"
Number of Solenoids	2	3	4	5	6
Total Filtration Area	760	912	1216	1520	2280
Min. Design Efficiency	99.99%	99.99%	99.99%	99.99%	99.99%
Air to Cloth Ratio (ACFM/Ft.2)	5.3	5.5	5.5	5.5	5.5
Filtration Velocity (Ft./Min.)	5.3	5.5	5.5	5.5	5.5
Blower Horsepower (optional)	7.5	10	15	20	25
Static Pressure Drop (WC)	6"	6"	6"	6"	6"
Normal Air Capacity	4,000	5,000	6,700	8,400	12,400
Outlet Area (Ft.2)	1.09	1.31	2.29	2.85	4.19
Outlet Velocity (Ft./Sec.)	61.16	63.61	48.76	49.12	49.32
Outlet Moisture Content (Ideally)	0	0	0	0	0
Cleaning Mechanism	Pulse Jet Nozzle W/Preset timer	Pulse Jet Nozzle W/Preset timer	Pulse Jet Nozzle W/Preset timer	Pulse Jet Nozzle W/Preset timer	Pulse Jet Nozzle W/Preset timer
*Inlet Dust Concentration	60,000	75,000	100,500	126,000	186,000
*Outlet Emissions (Gr/Min)	6.00	7.50	10.05	12.60	18.60
*Outlet Dust Loading (Gr/Cf)	0.0015	0.0015	0.0015	0.0015	0.0015
*These Calculations Based on Inlet Loading of 15 Gr. / Ft. 3 Your State Environmental Dept. may request additional information. If so, contact C & W Engineering					

SPECIFICATIONS

Questions? Call 1-800-880-3878 for C & W Customer Support



CERTIFIED - RETURN RECEIPT REQUESTED
7009 0960 0000 2312 7701

November 18, 2009

Florida Dept. of Environmental Protection
Receipts
P. O. Box 3070
Tallahassee, FL 32315-3070

RE: General air permit modification for the Cemex / Card Sound portable ready-mix concrete batching facility (permit no. 7775149-003-AG).

Dear Sirs:

This letter is intended to serve as notification that our company plans to modify the facilities at our Card Sound site, which is located at 15900 S. W. 408th Street, in Florida City, Florida.

Specifically, two C. & W. Dust Systems Model CP-305-839 cartridge dust collector will be retrofitted to the portable batch facility's cement silo, replacing the two McNeilus baghouses that are already in place. All other existing dust collectors serving the batch facility will remain unchanged.

In order to update the general air permit for this location, we have attached an FDEP General Air Registration Form, specifications for the proposed dust collectors and check no. 21918191 in the amount of \$100.00. Visible emissions tests will be performed on the new dust collectors within thirty days of their installation.

If you have any questions concerning the application or need additional data to complete your review, please contact us at (561) 820-8415.

Sincerely,

A handwritten signature in black ink, appearing to read 'JRP' followed by a stylized flourish.

Jeffrey R. Porter
Environmental Mgr.

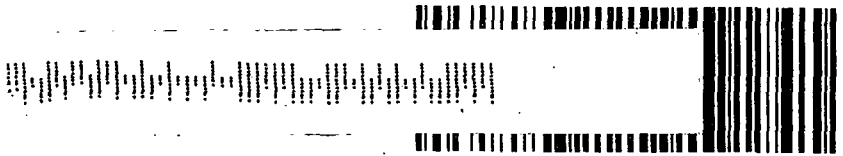
Florida Region

1501 Belvedere Road, West Palm Beach, FL 33406. USA, (561) 833-5555

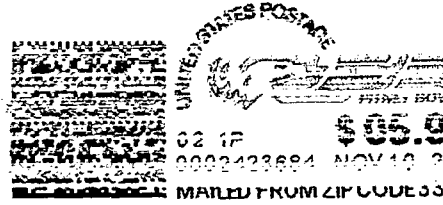
Attachments
Page 2
FDEP / Receipts
Card Sound Portable - AG Mod.

cc: R. Overton
C. Idsardi
J. Delcampillo
E. Williams
T. Mazzola
K. Arlington (Arlington Env.)
File (Card Sound Portable)

CEMEX, Inc.
1501 Belvedere Rd.
West Palm Be



7009 0960 0000 2312 7701



Florida Dept. of Environmental Protection
Receipts
P. O. Box 3070
Tallahassee, FL 32315-3070