

Dibble, Dickson

From: mmoreaels@aol.com
Sent: Tuesday, May 25, 2010 3:16 PM
To: Dibble, Dickson
Subject: Re: Relocatable Nonmetallic Mineral Processing Plant (NMMP) AIRS ID# 7770023-001-AG

Hi Dick,

Thanks for the confirmation changing our permit #. I am waiting to hear back from Powerscreen with the rest of the information needed on our crusher/screener. I sent you what I had and as soon as I hear back from them I will send the other information needed.

Thanks again for your help. Have a nice day.

Theresa

Environmental Land Services of Flagler County, Inc.
2550 N. State Street - Suite #7
Bunnell, FL 32110
386-447-2222 (P)
386-437-3339 (F)

—Original Message—

From: Dibble, Dickson <Dickson.Dibble@dep.state.fl.us>
To: mmoreaels@aol.com <mmoreaels@aol.com>
Cc: Ajhar, Rebecca <Rebecca.Ajhar@dep.state.fl.us>; Banks, Richard <Richard.Banks@dep.state.fl.us>; Grant, Patricia <Patricia.Grant@dep.state.fl.us>
Sent: Tue, May 25, 2010 11:59 am
Subject: Relocatable Nonmetallic Mineral Processing Plant (NMMP) AIRS ID# 7770023-001-AG

Dear Theresa and Mr. Morea,

This intent of this e-mail is to advise you that we have corrected the previously issued entitlement (AIRS ID# 0350023-001-AG) as a "stationary" unit to AIRS ID# 7770023-001-AG in order to reflect the "relocatable" classification of the subject item NMMP Plant.

Thank you for bringing this matter to my attention. When I retrieved your original form (10/11/07), it was in fact indicated and checked that the unit was to be registered as a relocatable unit and for some reason I failed to make note of it.

We will be mailing out a new acknowledgement letter to reflect the correct AIRS ID #7770023-001-AG.

Please accept my apologies for the oversight on my part and if you have any questions, comments or concerns please e-mail or call.

Have a great day!

Sincerely yours,

Dickson E. Dibble

Dickson E. Dibble, ES III
FL Dept of Environmental Protection
Div. of Air Resource Management
Bureau of Air Monitoring & Mobile Sources

Air General Permit Program
Tel. (850) 921-9586
FAX (850) 922-6979
ICG-#345

Dickson.Dibble@dep.state.fl.us



Please note: Florida has a very broad public records law. Most written communications to or from state officials regarding state business are public records available to the public and media upon request. Your e-mail communications may therefore be subject to public disclosure

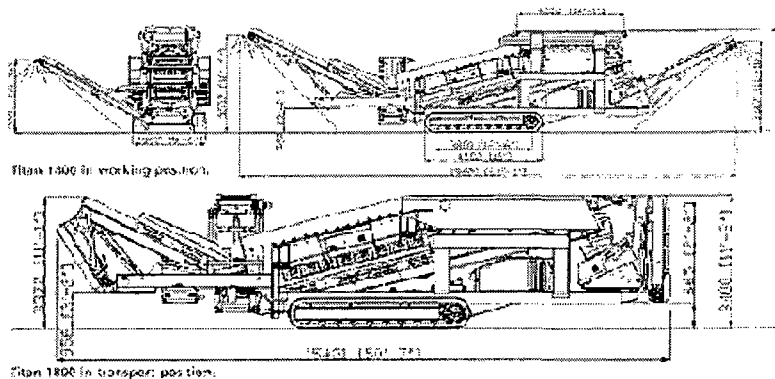
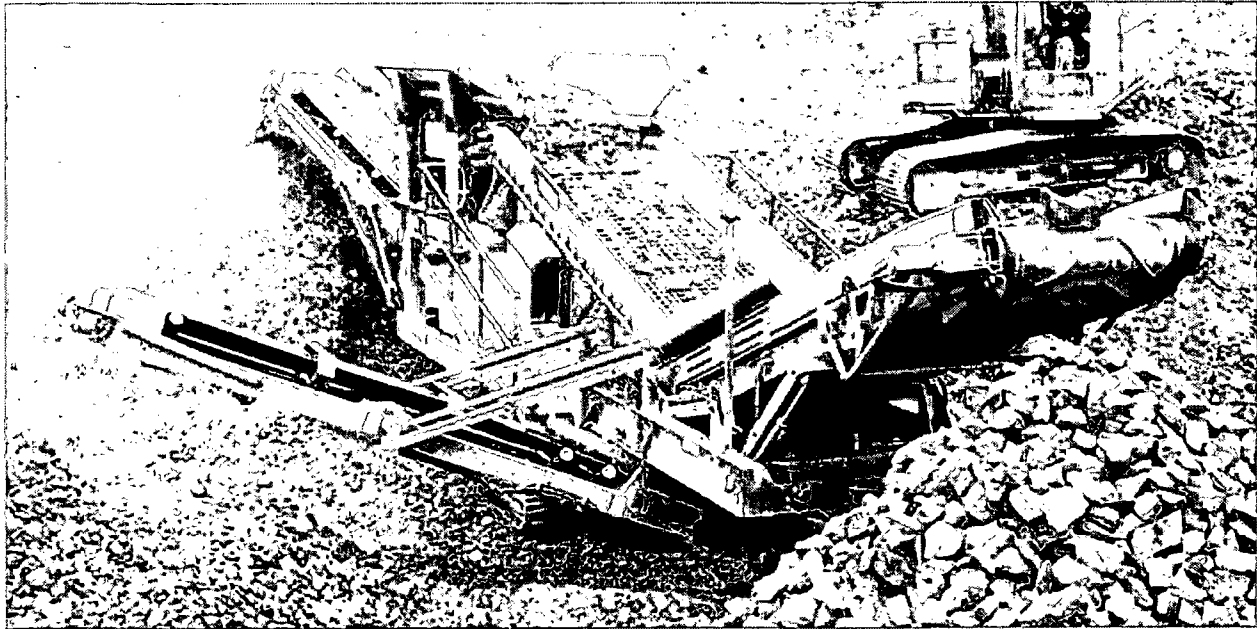
The Department of Environmental Protection values your feedback as a customer. DEP Secretary Michael W. Sole is committed to continuously assessing and improving the level and quality of services provided to you. Please take a few minutes to comment on the quality of service you received. Simply click on [this link to the DEP Customer Survey](#). Thank you in advance for completing the survey.

11901 Westport Road • Louisville, KY 40245

Contact Us: 800-227-0534 | [Email](#)

[Home](#) | [New Equipment](#) | [Used Equipment](#) | [Parts and Service](#) | [Videos](#) | [Contact Us](#)

Titan 1800



DESCRIPTION

The Powerscreen Titan 1800 is designed to suit the medium to large volume producer.

The machine can handle material which is not uniform in size or shape and allows unrestricted access to the screenbox and heavy duty oversize tail convey

Applications: Recycling, Sand and Gravel, Topsoil, Coal, Crushed stone, Compost.

- High capacity -400 TPH, (depending on mesh sizes and material type).
- Quick set up time typically under 15 minutes.

- Maximum mobility with heavy duty, low ground pressure crawler tracks.
- Optional tri-axle bogie system allows the track machine to be transported without the need for a low loader.
- Removable heavy duty pendant remote control system
- Optional radio control system available if required
- Radial fines conveyor
- The oversize discharge conveyor can collect top and bottom deck material or top deck material only.
- Access walkway for screenbox.
- Hydraulically folding hopper sides.
- Linear vibration screenbox yielding more capacity and providing greater screening efficiency.
- Hopper exit opening 0.85m x 1.2m (or with tie bar removed completely open), enabling screening of large items i.e. tree stumps, logs, boulders, etc.

FEATURES

- Total weight: 71,650 lbs
- Total weight: 66,140 lbs
- Width (transport): 9' 6"
- Length (transport): 50' 7"
- Height (transport): 12' 3", 11' 2"
- Hopper capacity: 9.94 yrd³
- Screenunit: Linear Vibration 16' x 5' screen
- Powerunit: Diesel Hydraulic/Deutz BF4M1012C - 109hp

PICTURES



Powerscreen Crushing and Screening
Ph: 800-227-0534
[Email](#)

[Login](#)

Web Design & Web Development by [RCS Web Solutions](#)