

Bureau of Air Monitoring
& Mobile Sources

JAN 29 2009

RECEIVED

HUMAN CREMATORY AIR GENERAL PERMIT REGISTRATION FORM

Part II. Notification to Permitting Office

(Detach and submit to appropriate permitting office; keep copy onsite)

Instructions: To give notice to the Department of an eligible facility's intent to use this air general permit, the owner or operator of the facility must detach and complete this part of the Air General Permit Registration Form and submit it to the appropriate Department of Environmental Protection or local air pollution control program office which has permitting authority. Please type or print clearly all information, and enclose the appropriate air general permit registration processing fee pursuant to Rule 62-4.050(4)(o), F.A.C. (\$100 as of the effective date of this form)

1150135-004

Registration Type

Check one:

INITIAL REGISTRATION - Notification of intent to:

- Construct and operate a proposed new facility.
- Operate an existing facility not currently using an air general permit (e.g., a facility proposing to go from an air operation permit to an air general permit).

RE-REGISTRATION (for facilities currently using an air general permit) - Notification of intent to:

- Continue operating the facility after expiration of the current term of air general permit use.
- Continue operating the facility after a change of ownership.
- Make an equipment change requiring re-registration pursuant to Rule 62-210.310(2)(e), F.A.C., or any other change not considered an administrative correction under Rule 62-210.310(2)(d), F.A.C.

Surrender of Existing Air Operation Permit(s) - For Initial Registrations Only

If the facility currently holds one or more air operation permits, such permit(s) must be surrendered by the owner or operator upon the effective date of this air general permit. In such case, check the first box, and indicate the operation permits being surrendered. If no air operation permits are held by the facility, check the second box.

- All existing air operation permits for this facility are hereby surrendered upon the effective date of this air general permit; specifically permit number(s): _____
- No air operation permits currently exist for this facility.

General Facility Information

Facility Owner/Company Name (Name of corporation, agency, or individual owner who or which owns, leases, operates, controls, or supervises the facility.)

Farley Funeral Home, Inc.

Site Name (Name, if any, of the facility site; e.g., Plant A, Metropolis Plant, etc. If more than one facility is owned, a registration form must be completed for each.)

Farley Funeral Home, Inc.

Facility Location (Provide the physical location of the facility, not necessarily the mailing address.)

Street Address: 265 S. Nokomis Ave.

City: Venice

County: Sarasota

Zip Code: 34285

Facility Start-Up Date (Estimated start-up date of proposed new facility.) (N/A for existing facility)

3/31/09

Owner/Authorized Representative

Name and Position Title (Person who, by signing this form below, certifies that the facility is eligible to use this air general permit.)

Print Name and Title: John Williams, President

Owner/Authorized Representative Mailing Address

Organization/Firm: Farley Funeral Home, Inc.

Street Address: 265 S. Nokomis Avenue

City: Venice

County: Sarasota

Zip Code: 34285

Owner/Authorized Representative Telephone Numbers

Telephone: 941-488-2291

Fax: 941-488-0622

Cell phone (optional):

Facility Contact (If different from Owner/Authorized Representative)

Name and Position Title (Plant manager or person to be contacted regarding day-to-day operations at the facility.)

Print Name and Title: Same

Facility Contact Mailing Address

Organization/Firm:

Street Address:

City:

County:

Zip Code:

Facility Contact Telephone Numbers

Telephone:

Fax:

Cell phone (optional):

Owner/Authorized Representative Statement

This statement must be signed and dated by the person named above as owner or authorized representative

I, the undersigned, am the owner or authorized representative of the owner or operator of the facility addressed in this Air General Permit Registration Form. I hereby certify, based on information and belief formed after reasonable inquiry, that the facility addressed in this registration form is eligible for use of this air general permit and that the statements made in this registration form are true, accurate and complete. Further, I agree to operate and maintain the facility described in this registration form so as to comply with all applicable standards for control of air pollutant emissions found in the statutes of the State of Florida and rules of the Department of Environmental Protection and revisions thereof.

I will promptly notify the Department of any changes to the information contained in this registration form.

Signature

Date

1/12/09

Design Calculations

If this is an initial registration for a proposed new human crematory unit, provide design calculations to confirm a sufficient volume in the secondary chamber combustion zone to provide for at least a 1.0 second gas residence time at 1800 degrees F.

- Manufacturer's' design calculations attached.
- Registration is not for proposed new human crematory unit(s).

Description of Facility

Below, or as an attachment to this form, provide a description of all crematory operations at the facility in sufficient detail to demonstrate the facility's eligibility for use of this air general permit and to provide a basis for tracking any future equipment or process changes at the facility. Describe all air pollutant-emitting processes and equipment at the facility, and identify any air pollution control measures or equipment used.

See attached process flow diagram and specifications for new machine.

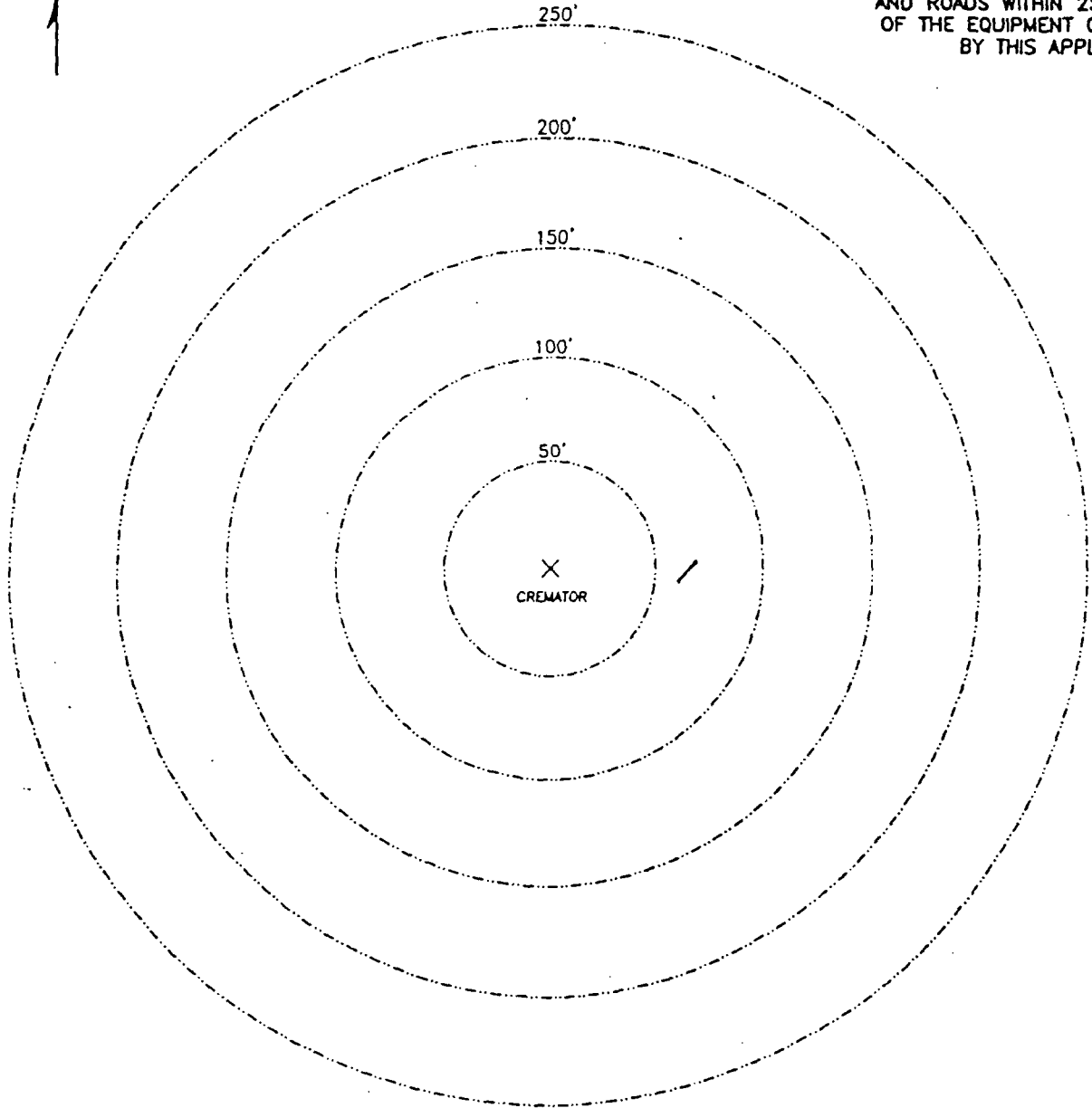
Currently we have one Crawford C1000 human cremation unit existing in the same building that we plan on removing and replacing this unit with a new Matthews Cremation Division Power Pak II human cremation unit.

PLOT PLAN

NORTH



SHOW ALL SURROUNDING BUILDINGS
AND ROADS WITHIN 250 FEET
OF THE EQUIPMENT COVERED
BY THIS APPLICATION.

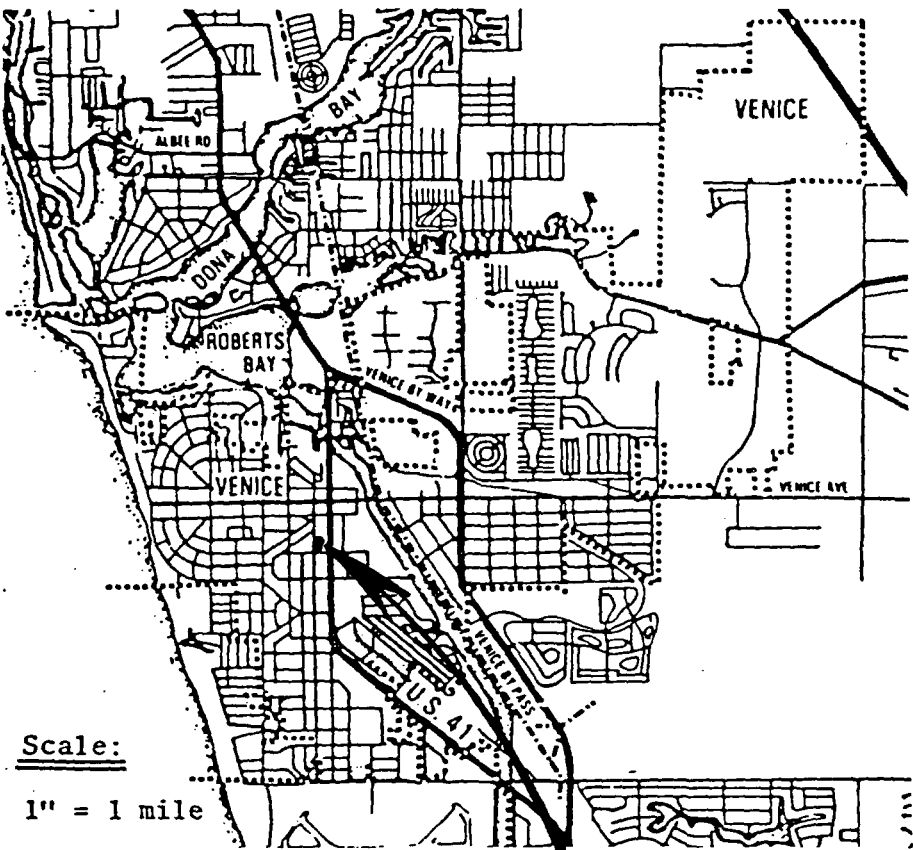


STRUCTURE DESCRIPTION

INSTRUCTIONS

1. INDICATE LOCATION AND TYPE OF BUILDING BY THE USE OF SMALL NUMBERED CIRCLES WITH THE DESCRIPTION BELOW.
2. SHOW ROADS AS LINES REPRESENTING THE ROAD EDGES. INDICATE STREET NAMES AND HIGHWAY NUMBERS.
3. SHOW WOODED OR CLEARED AREA BY APPROXIMATE BOUNDARY LINES AND THE WORDS "WOODS," "CLEARED," "CORNFIELD," ETC.

- (1)
- (2)
- (3)
- (4)
- (5)
- (6)
- (7)
- (8)
- (9)
- (10)

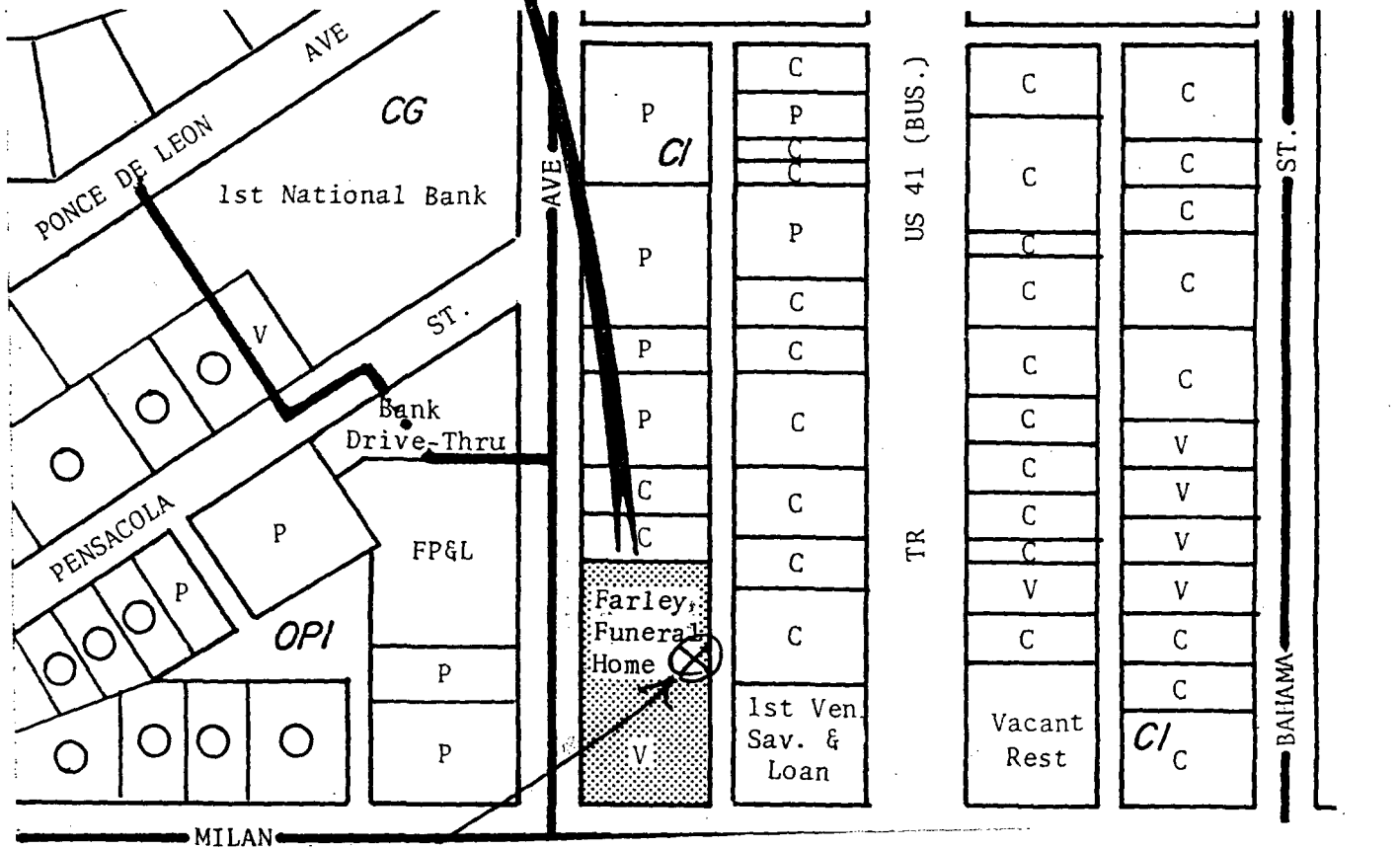


Petition No: 85-3SE

Request: Crematory at Funeral Home

Legend:

- Single Family Residence
- ⊗ Duplex
- Ⓜ Multi-Fam. Res. (w/no. units)
- △ Mobile Home
- C Misc. Commercial
- P Misc. Office
- M Misc. Industrial
- V Vacant
- ▨ Area Under Consideration



AVE

*Community
Location*

GU

Public Library

PKG

Myakka
Lanes

TAMIAMI

Restaurant

Venice Community Center

P

C

CG

OPI

C

Tandem Center

NORTH



S.

Scale: 1"=200'

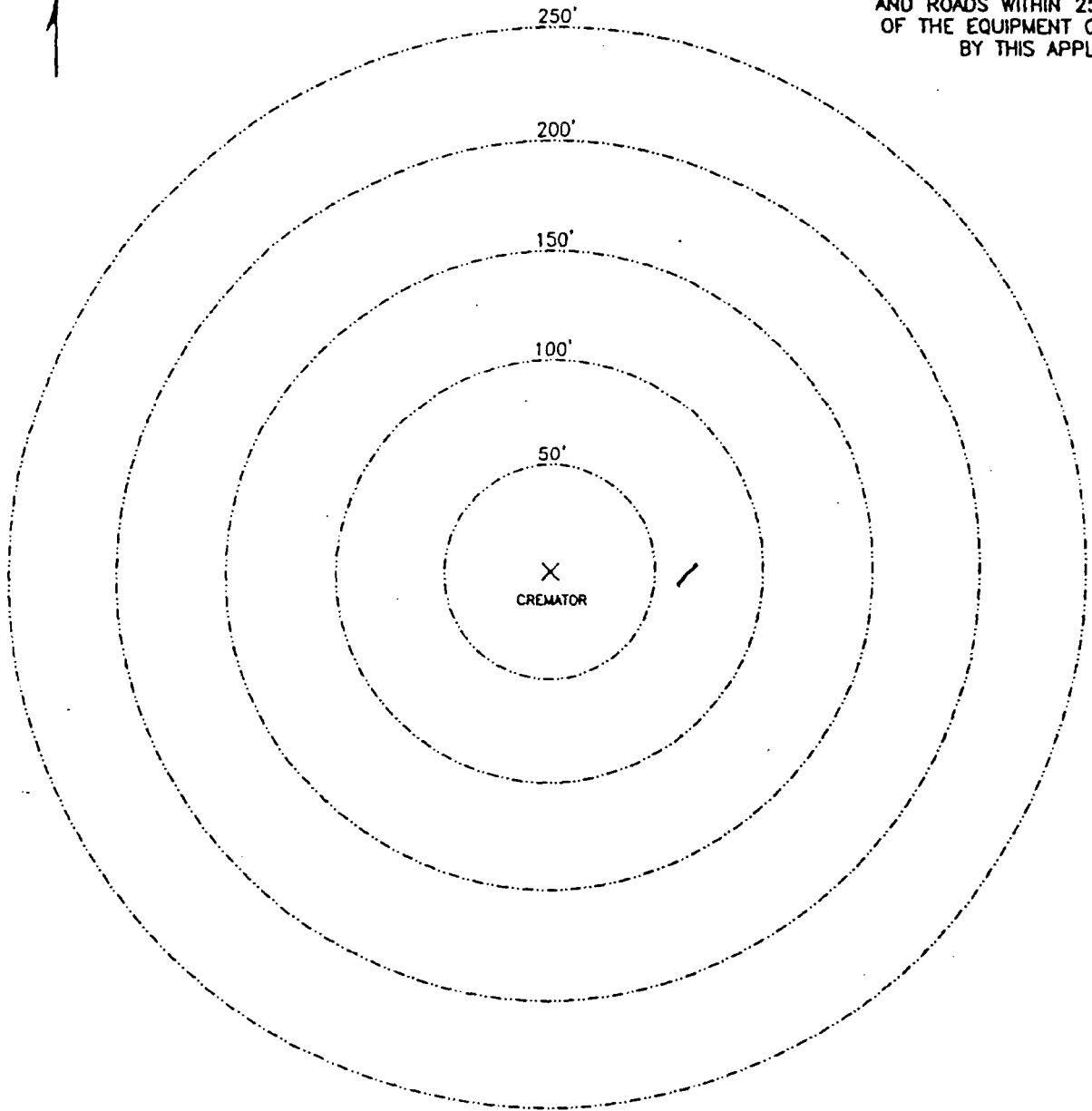
Petition No. 85-3SE

PLOT PLAN

NORTH



SHOW ALL SURROUNDING BUILDINGS
AND ROADS WITHIN 250 FEET
OF THE EQUIPMENT COVERED
BY THIS APPLICATION.

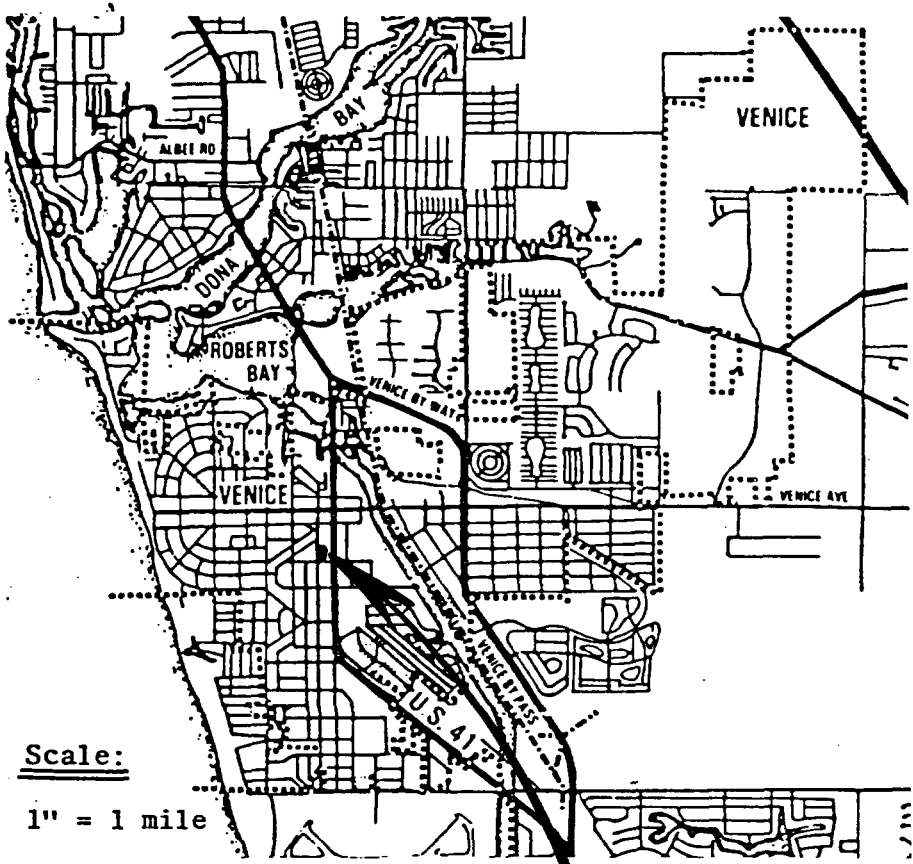


STRUCTURE DESCRIPTION

INSTRUCTIONS

1. INDICATE LOCATION AND TYPE OF BUILDING BY THE USE OF SMALL NUMBERED CIRCLES WITH THE DESCRIPTION BELOW.
2. SHOW ROADS AS LINES REPRESENTING THE ROAD EDGES. INDICATE STREET NAMES AND HIGHWAY NUMBERS.
3. SHOW WOODED OR CLEARED AREA BY APPROXIMATE BOUNDARY LINES AND THE WORDS "WOODS," "CLEARED," "CORNFIELD," ETC.

- (1)
- (2)
- (3)
- (4)
- (5)
- (6)
- (7)
- (8)
- (9)
- (10)



Petition No: 85-3SE

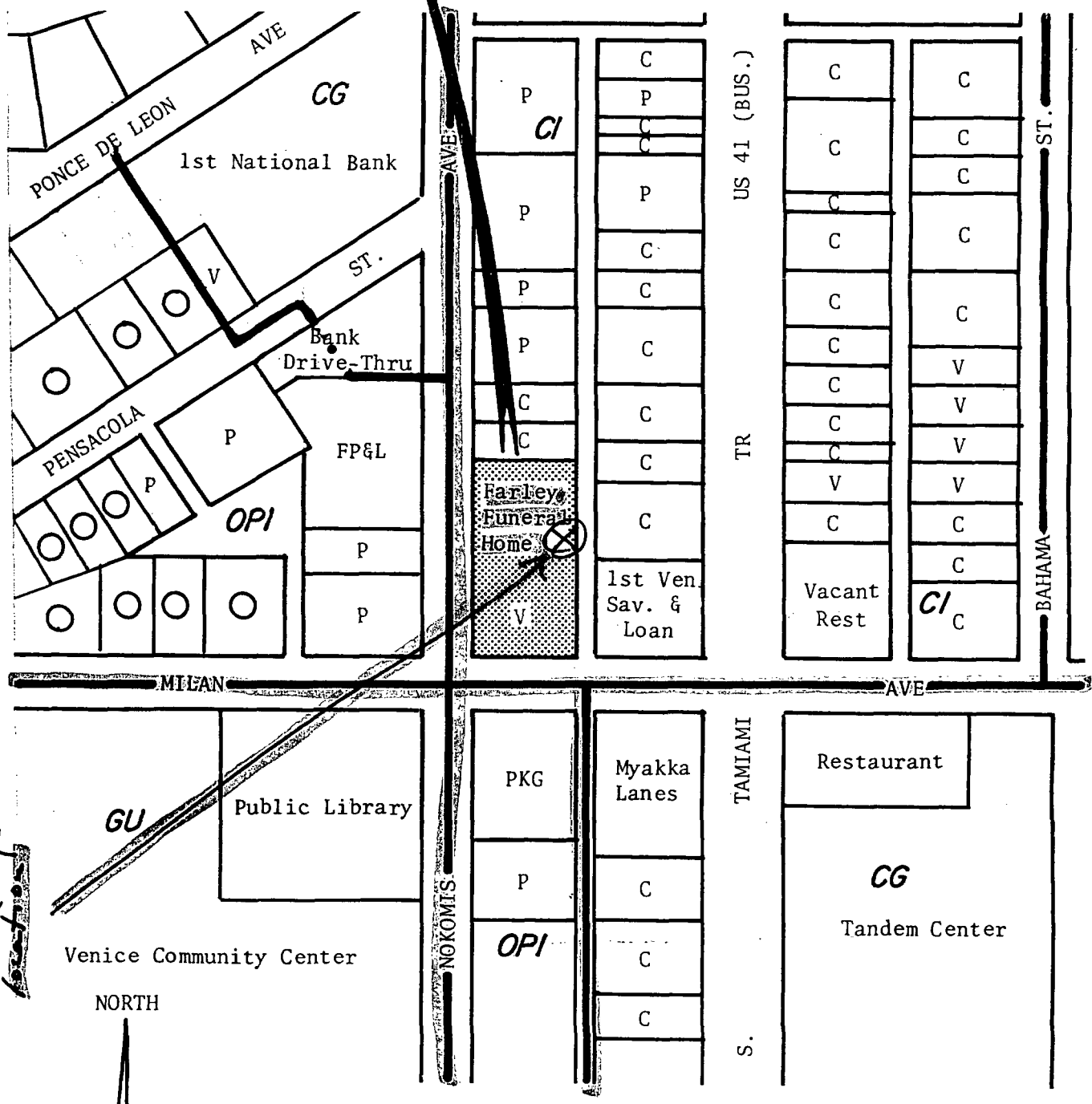
Request: Crematory at Funeral Home

Legend:

- Single Family Residence
- ⊗ Duplex
- Ⓣ Multi-Fam. Res. (w/no. units)
- △ Mobile Home
- C Misc. Commercial
- P Misc. Office
- M Misc. Industrial
- V Vacant
- ▨ Area Under Consideration

Scale:

1" = 1 mile

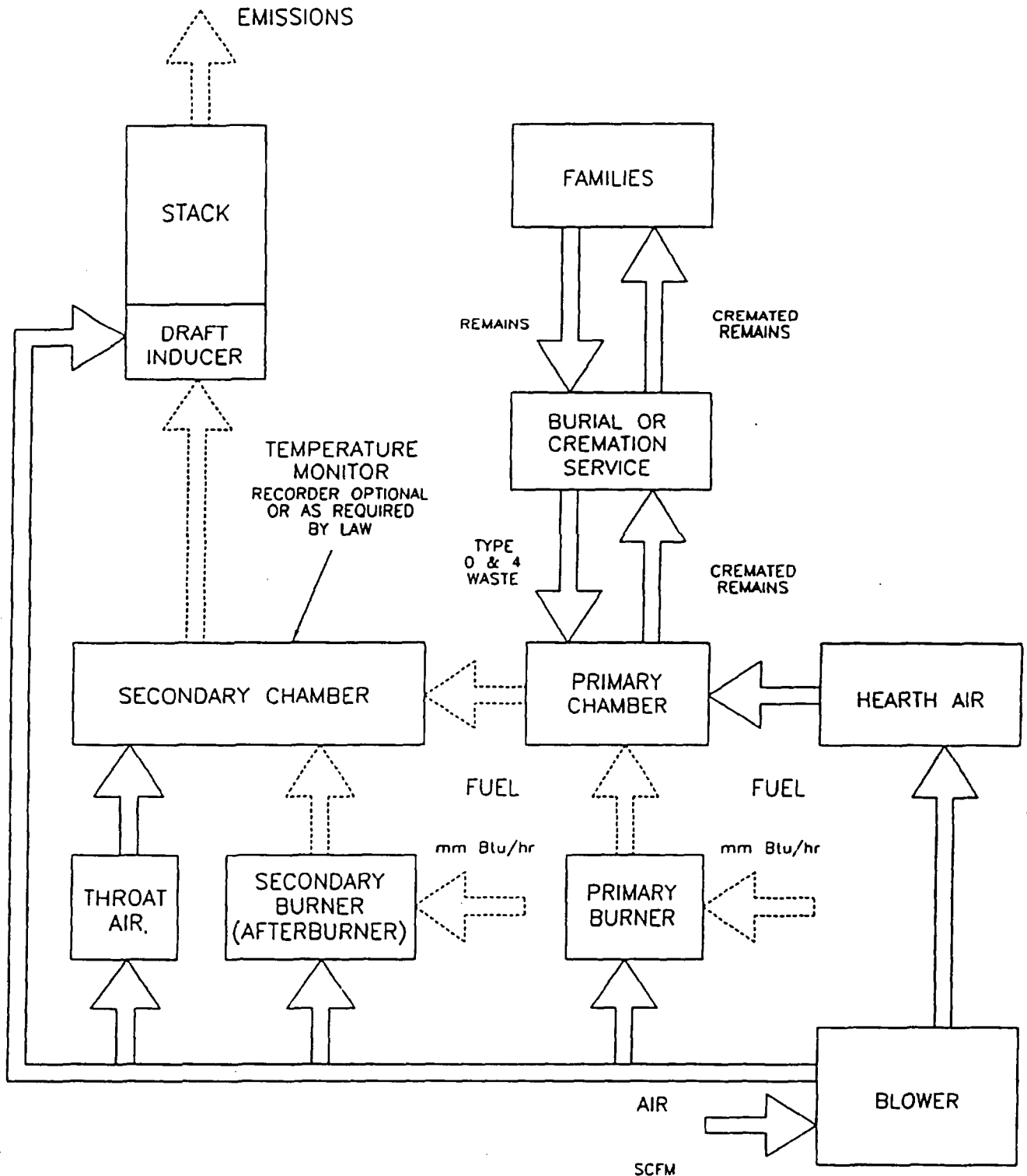


NORTH

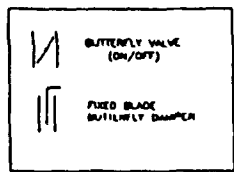
Scale: 1" = 200'

Petition No. 85-3SE

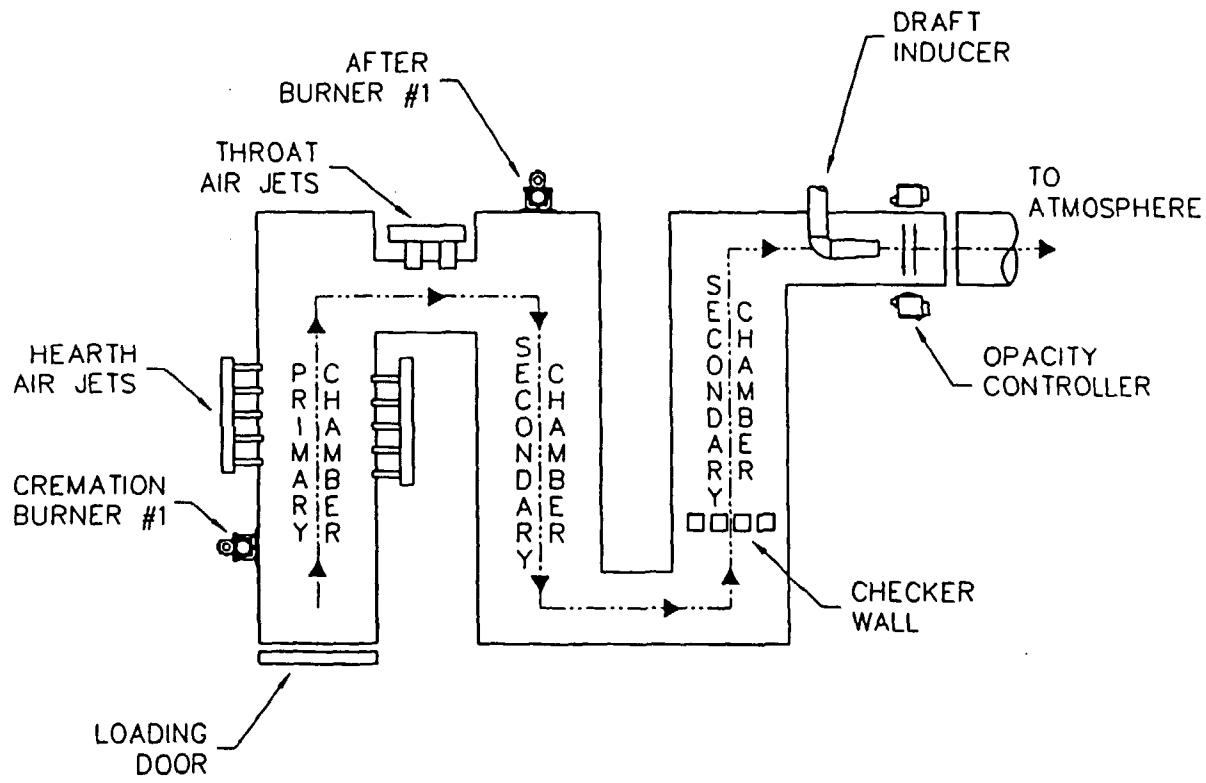
PROCESS FLOW DIAGRAM CREMATOR



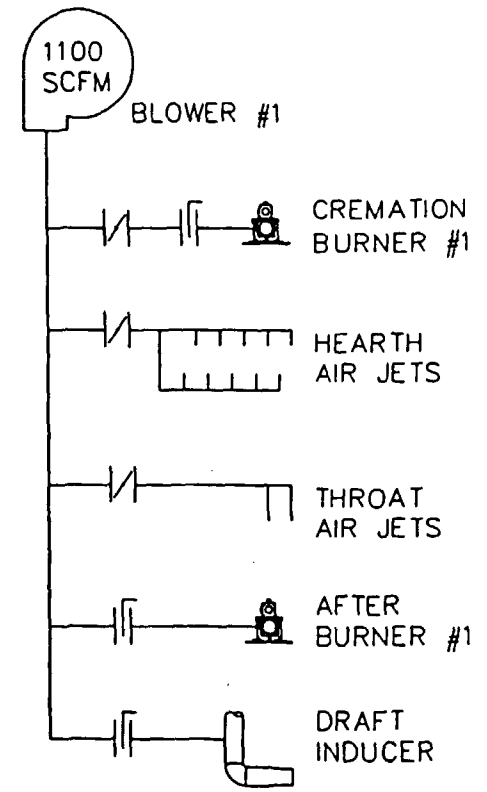
LEGEND OF SYMBOLS




FLOW DIAGRAM



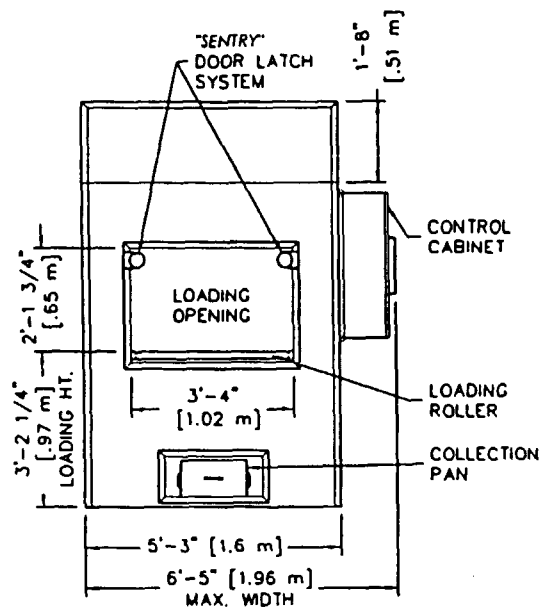
AIR SCHEMATIC



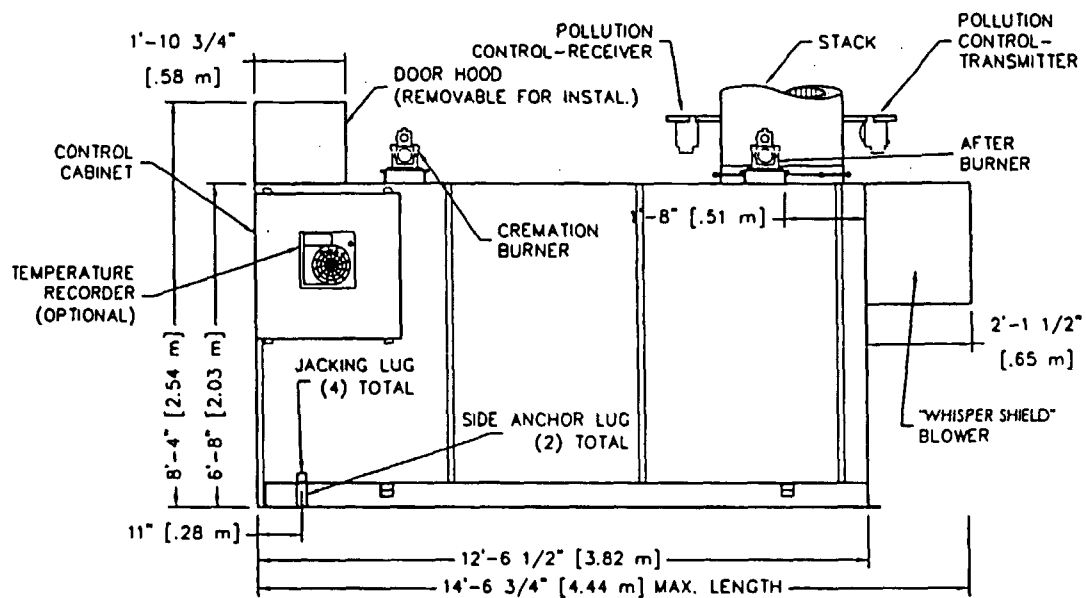

Matthews
 CREMATION DIVISION
 2045 Sprint Boulevard
 Apopka, Florida 32703
 USA

POWER PAK II
 FLOW DIAGRAM
 & AIR SCHEMATIC

DATE:	08-05-05	SCALE:	1/4"=1'
DRAWN:	JG	PLOT SCALE:	1:48
APRVD:		SHEET:	1 OF 1
DWG FILE:	PPIFlowDiaAirSchem		
DWG #:	000523		



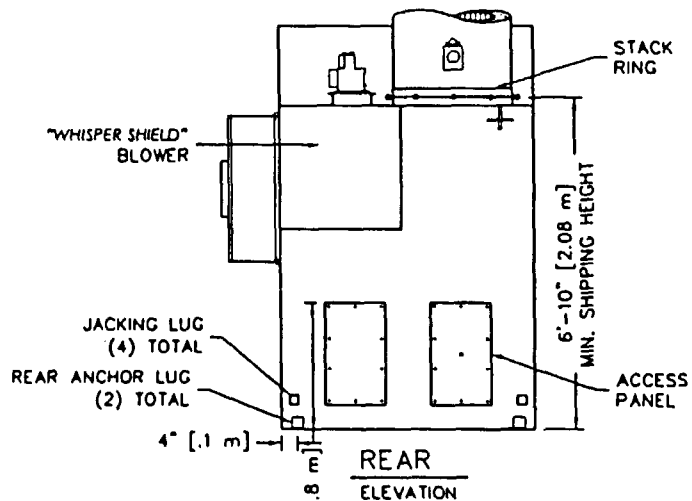
FRONT
ELEVATION



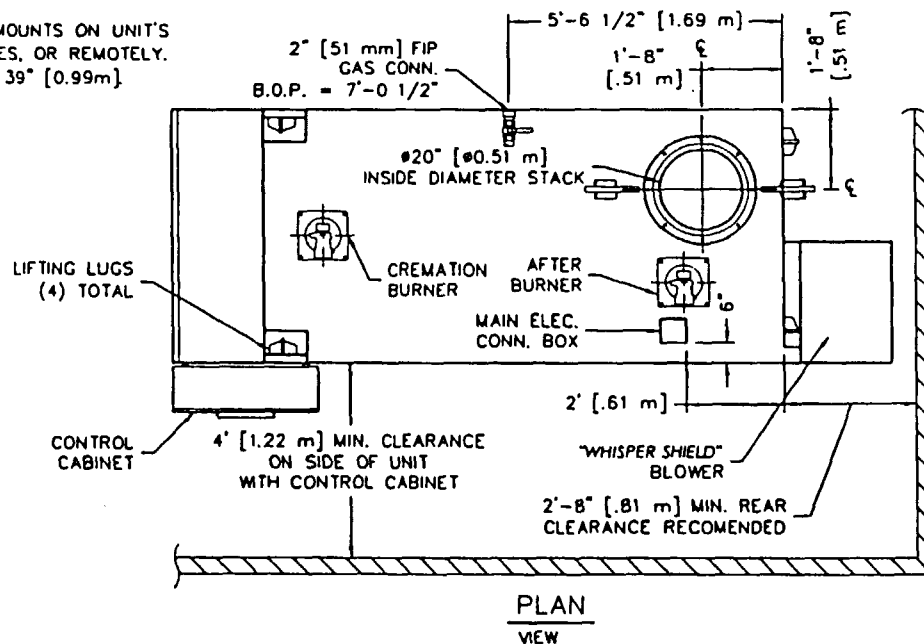
RIGHT SIDE
ELEVATION

NOTES:

- 1) CONTROL CABINET MOUNTS ON UNIT'S LEFT OR RIGHT SIDES, OR REMOTELY.
- 2) CHAMBER WIDTH IS 39" [0.99m]



REAR
ELEVATION



PLAN
VIEW

Matthews
CREMATION DIVISION

2045 Sprint Boulevard
Apopka, Florida 32703
USA

POWER-PAK II

PLAN & ELEVATIONS INCL: CLEARANCES,
REQUIREMENTS & RECOMENDATIONS

DATE:	10-26-06	SCALE:	1/4"=1'
DRAWN:	JG	PLOT SCALE:	1:48
APRVD:		SHEET:	1 OF: 2
DWG FILE:	PP11-MarketingPlanElevS1R4		
DWG #:	0000140		

CREMATOR CLEARANCES

RECOMMENDED

TOP: ②	2 FEET [610 mm]	6 INCHES [152 mm]
CABINET SIDE:	4 FEET [1.22 m]	4 FEET [1.22 m]
OTHER SIDE:	2 FEET [610 mm]	6 INCHES [152 mm]
FRONT:	9 FEET [2.74 m]	8 FEET [2.44 m]
REAR:	3 FEET [0.91 m]	32 INCHES [812 mm]
STACK:	6 INCHES [152 mm]	6 INCHES [152 mm]

MINIMUM

- FOR CLEARANCES OTHER THAN THOSE SHOWN, OR FOR SPECIAL REQUIREMENTS, CONSULT YOUR MCD REP.
- FROM HIGHEST POINT ON UNIT.
- CONTROL CABINET MOUNTS ON UNIT'S LEFT OR RIGHT SIDES, OR REMOTELY. (SEE PLAN VIEW, SHEET 1).
- REAR OF UNIT REFERS TO THE "BACK PLATE", RATHER THAN THE BACK OF THE "WHISPER SHIELD". (SEE PLAN VIEW, SHEET 1).

CREMATOR REQUIREMENTS

FUEL: A PRESSURE REGULATOR ADJUSTABLE TO 7" [178 mm] W.C. FOR NATURAL GAS, OR 11" [279 mm] W.C. FOR LP GAS.

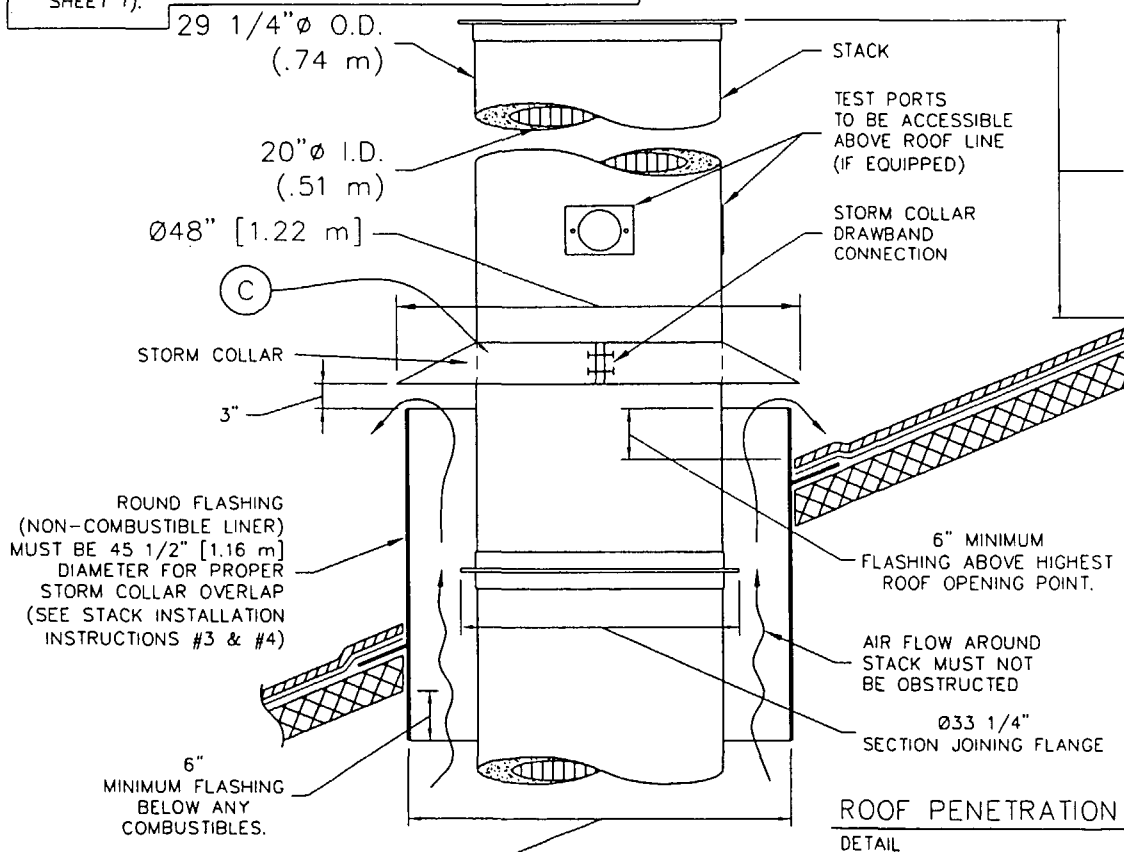
CAPACITY: RANGES FROM 2.0 TO 3.0 MILLION BTU/HR [2.1 TO 3.1 MILLION KILOJOULES/HR] DEPENDING UPON AMOUNT OF BURNERS.

ELECTRICAL: 230 VOLT, 3 ϕ , (40A BREAKER) AND 115v (10A BREAKER), OR 230 VOLT, 1 ϕ , (70A BREAKER) AND 115v (10A BREAKER) 50/60 HERTZ

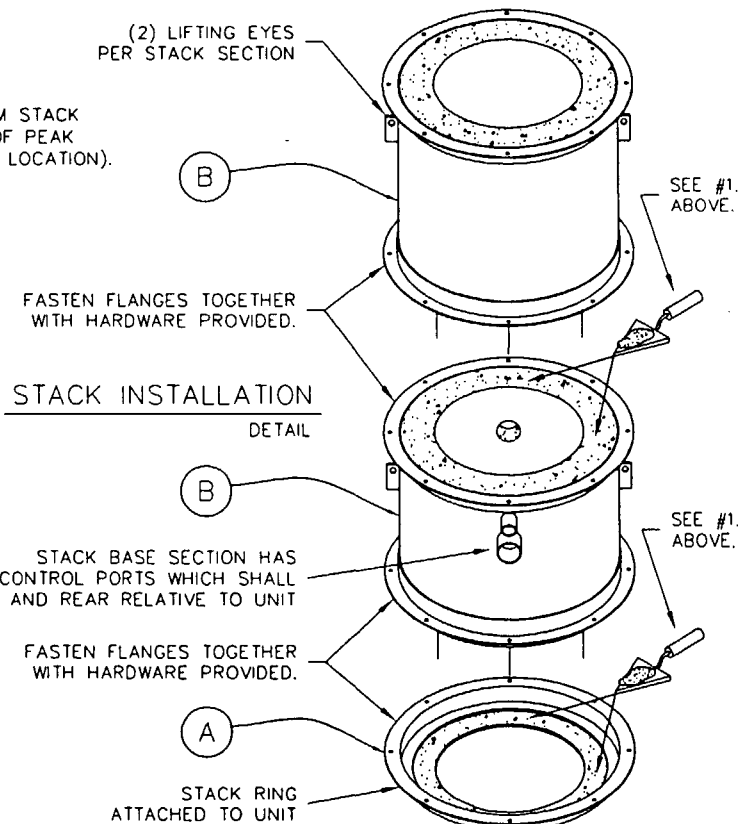
AIR: LOUVER NEAR THE REAR OF THE UNIT CAPABLE OF PASSING 2,500 CU FT/MIN [70.8 CU M/MIN] OF FREE AIR (36" X 36") [914 mm X 914 mm].

STACK INSTALLATION INSTRUCTIONS

- APPLY A 1/2" THICK MORTAR JOINT TO EXPOSED REFRACTORY SURFACE IN STACK RING. LOWER THE BASE STACK SECTION (B) ONTO STACK RING (A) AND FASTEN WITH HARDWARE PROVIDED (NO MORE THAN (2) STACK SECTIONS SHALL BE LIFTED TOGETHER). REPEAT PROCESS FOR REMAINING STACK SECTIONS. IF SECTIONS OF VARYING LENGTHS ARE SUPPLIED, ASSEMBLE AS TO AVOID FLANGES & LIFTING EYES INTERFERING WITH RAIN COLLAR LOCATION.
- INSTALL STORM COLLAR ON STACK, 3" [76 mm] ABOVE NON-COMBUSTIBLE LINER (FLASHING), ALLOWING FOR PROPER VENTILATION (SEE DETAIL).
- APPLY A 1/4" [6 mm] BEAD OF HIGH-TEMPERATURE SILICON SEALANT (PROVIDED BY MCD) TO THE JOINT BETWEEN THE STORM COLLAR (C) AND THE STACK (B).
- STORM COLLAR IS FURNISHED BY MCD. THE NON-COMBUSTIBLE LINER (FLASHING) TO BE PROVIDED BY THE OTHERS.
- IF FIFTY PERCENT OF THE STACK LENGTH IS ABOVE THE ROOF, GUY WIRES MAY BE REQUIRED. CONSULT WITH YOUR MCD REP.
- RAIN CAP NOT REQUIRED.



36" MINIMUM STACK ABOVE ROOF PEAK (MAY VARY BY LOCATION).



④45" REQUIRED FOR PROPER STACK CLEARANCE.



2045 Sprint Boulevard
Apopka, Florida 32703
USA

POWER-PAK II

STACK DETAILS, CLEARANCES &
INSTALLATION INSTRUCTIONS.
REFRACTORY STACK DETAIL

DATE:	08-18-05	SCALE:	1/2"=1'
DRAWN:	JG	PLOT SCALE:	1:24
APRVD:		SHEET:	2 OF 2
DWG FILE:	PPII-MarketingStackReIS2R2		
DWG #:	0000140		

SPECIFICATIONS- Model Power-Pak II

1. Equipment Type Model Power-Pak II
 - A. Model No. IE43-PPII
 - B. Underwriters Laboratories Listing and File No. .. 87E8; MH14647

2. Dimensions
 - A. Footprint 12' - 6 1/2" x 6' - 8"
 - B. Maximum Length 14' - 6 1/2" (4.43 m)
 - C. Maximum Width 6' - 5" (1.96 m)
 - D. Maximum Height 8' - 4" (2.54 m)
 - E. Chamber Loading Opening 25 3/4" H x 39" W (655 mm x 990 mm)

3. Weight 24,000 lbs. (11,000 kg)

4. Utility/Air Requirements
 - A. Gross Gas Input, Natural or LP Gas 2,000,000 BTU/hr. (2,100,000 kJ/h)
2,500,000 BTU/hr. (2,600,000 kJ/h) if equipped
with preheat burner
 - Running Gas Pressure, Natural Gas 7 inches (180 mm) water column or greater
 - Running Gas Pressure, LP Gas 11 inches (280 mm) water column or greater
 - B. Electrical Supply 230 volt, 3Ø or 1Ø, 50/60 hz (other available)
 - C. Air Supply 2,500 cfm (70 standard m³/min)

5. Incineration Capacity 150 lbs./hr. (68 kg/h)

6. Typical Loading Capacity of Waste Types 750 lbs. (340 kg/h)

7. Construction and Safety Standards Incineration Institute of America, Underwriters
Laboratories, Canadian Standards Association

8. Steel Structure Construction
 - A. Frame 2" (51 mm) square tubing
 - B. Front/Rear Plates 3/8" (10 mm) plate
 - C. Floor Plates 3/16" (5 mm) plate
 - D. Outer Side Casing 12 gauge (3 mm) plate
 - E. Inner Side Casing 12 gauge (3 mm) plate

9. Stack Construction
 - A. Inner Wall 4 1/2" (110 mm) insulating firebrick or castable
 - B. Outer Wall 12 gauge (3 mm) sheet, 304 s.s., welded seams
(unlined stack available)

10. Draft Nozzle Construction Schedule 40 type 316 s.s. pipe, welded
connections

11. Main Chamber Door Construction
 - A. Steel Shell 3/16" (5 mm) steel, welded with reinforcement
 - B. Outer Refractory 1" (25 mm) insulating block
 - C. Inner Refractory 4 1/2" (110 mm) insulating firebrick

12. Primary Chamber Wall Construction
 - A. Outer Casing Wall 12 gauge (3 mm) sheet
 - B. Inner Frame/Air Compartment 2" (51 mm) air compartment
 - C. Inner Casing Wall 12 gauge (3 mm) sheet

SPECIFICATIONS- Model Power-Pak II

- D. Outer Refractory Wall 5" (127 mm) insulating block
- E. Inner Refractory Wall 4½" (110 mm) firebrick

- 13. Secondary Chamber Wall Construction
 - A. Outer Casing Wall 12 gauge (3 mm) sheet
 - B. Inner Frame/Air Compartment 2" (51 mm) air compartment
 - C. Inner Casing Wall 12 gauge (3 mm) sheet
 - D. Outer Refractory Wall 6" (150 mm) insulating block
 - E. Inner Refractory Wall 4½" (110 mm) firebrick

- 14. Refractory Temperature Ratings
 - A. Standard Firebrick 3,100° F. (1700° C)
 - B. Insulating Firebrick 2,600° F. (1430° C)
 - C. Castable Refractory (Hearth) 2,550° F. (1370° C)
 - D. Castable Refractory 2,550° F. (1370° C)
 - E. Insulating Block 1,900° F. (1040° C)
 - F. Bonding Mortar 3,200° F. (1760° C)

- 15. Chamber Volumes (not including external flues, stacks or chimneys)
 - A. Primary Chamber 64 cubic feet (2.0 m³)
 - B. Secondary Chamber 74 cubic feet (2.0 m³)

- 16. Emission Control Features
 - A. Secondary Chamber with Afterburner Included
 - B. Opacity Monitor and Controller with Visual and Audible Alarms Included
 - C. Auxiliary Air Control System Included
 - D. Microprocessor Temperature Control System Included

- 17. Operating Temperatures
 - A. Primary Chamber 1,200° F. - 1,800° F. (650° C - 1000° C)
 - B. Secondary Chamber 1,400° F. - 1,800° F. (760° C - 1000° C) as required

- 18. Secondary Chamber Retention Time > 1 second

- 19. Ash Removal Door functions as a heat shield. Sweep out beneath front door into hopper that fills collection pan.

- 20. Safety Interlocks
 - A. High Gas Pressure Optional
 - B. Low Gas Pressure Optional
 - C. Blower Air Pressure Included
 - D. Door Position Included
 - E. Opacity Included
 - F. Motor Starter Function Included
 - G. Chamber Temperature Included
 - H. Motor Overload Included
 - I. Flame Quality Included
 - J. Burner Safe Start Included

- 22. Burner Description The nozzle mix burners used on this cremation equipment are industrial quality and designed

SPECIFICATIONS- Model Power-Pak II

for incinerator use.

- 23. Ultraviolet Flame Detection..... Ultraviolet flame detection has proven to be the most reliable means of flame safety. The system is completely sealed in a quartz capsule to eliminate problems, caused by moisture and dust created in the cremation process, which effect flame rod detectors.

- 24. Operating Panel Indicating Lights
 - A. Safe Run..... Included
 - B. Door Closed..... Included
 - C. Pollution Alarm..... Included
 - D. Afterburner On (Secondary Burner)..... Included
 - E. Cremation Burner On..... Included
 - F. Low Fire Cremation Burner On..... Included
 - G. Afterburner (Secondary Burner) Reset..... Included
 - H. Cremation Burner Reset..... Included
 - I. Hearth Air..... Included
 - J. Throat Air Off..... Included

- 25. Automatic Timer Functions
 - A. Master Cycle..... Included
 - B. Afterburner (Secondary Burner)..... Included
 - C. Cremation Burner..... Included
 - D. Low Fire Cremation Burner..... Included
 - E. Hearth Air..... Included
 - F. Throat Air..... Included
 - G. Pollution Monitoring..... Included
 - H. Afterburner (Secondary Burner) Prepurge..... Included
 - I. Cremation Burner Prepurge..... Included
 - J. Cool Down..... Included

- 26. Exterior Finish
 - A. Primer..... 2 coats rust inhibiting
 - B. Finish..... 2 coats textured finish

- 27. Start-Up and Training Startup of cremation equipment and training of operators to properly operate and maintain the equipment is performed on-site under actual operating conditions. Included is a comprehensive owner's manual, with details on the equipment, its components and proper operation.

- 28. Environmental Submittals Complete technical portion of state environmental permits. Engineering calculations, technical data, existing stack test results and equipment blueprints provided.

CREMATOR MASS BALANCE

Matthews Cremation Division
(formerly Industrial Equipment & Engineering Co.)
Model IE43-PPII (Power-Pak II) Ultra
Crematory Incinerator, Fired on Natural Gas

18-Oct-08

THESE CALCULATIONS HAVE BEEN PREPARED TO EVALUATE THE COMBUSTION PROCESS IN THE POWER-PAK II CREMATORY INCINERATOR

Firing Rate 150 lb/hr = 100 % of 150 lbs/hr Rated Capacity)

Excess Air 65 %

THE INCINERATOR INSTITUTE OF AMERICA HAS PUBLISHED THE FOLLOWING SPECIFICATIONS COVERING AVERAGE WASTES.

WASTE TYPE	TYPE 0	TYPE 4
BTU PER POUND	8500	1000
POUND ASH PER POUND WASTE	0.05	0.05
POUND MOISTURE PER POUND WASTE	0.1	0.85
POUND COMBUSTIBLES PER POUND WASTE	0.85	0.1
HOURLY CONSUMPTION OF WASTE (LBS)	5.0	145.0

SPECIFICATIONS		
PRIMARY BURNER FUEL CONSUMPTION (MMBTU/HR)	0.45	0.7 MMBTU /HR UL RATING
PRIMARY CHAMBER VOLUME (CU.FT)	64	
HEARTH AREA (SQ.FT)	26.4	
SECONDARY BURNER FUEL CONSUMPTION (MMBTU/HR)	1.2	
ADDITIONAL COMBUSTION AIR SUPPLIED		
THROAT AIR (SCFM)	200	3 " w.c. @ test tap
HEARTH AIR (SCFM)	100	4 " w.c. @ test tap
SEC. CHAMBER OPERATING TEMPERATURE (°F)	1800	
SECONDARY CHAMBER VOLUME (CU. FT)	74	
SEC. CHAMB. CROSS-SECTIONAL AREA (SQ. FT)	2.7	
FLAME PORT AREA (SQ. FT)	2.8	
MIXING BAFFLES AREA (SQ. FT)	1.4	

1. TOTAL FLUE PRODUCTS

A. PRIMARY BURNER NATURAL GAS USAGE

$$\frac{450000 \text{ BTU/HR}}{1000 \text{ BTU/CF}} = 450 \text{ CFH} = 8 \text{ CFM}$$

B. COMBUSTION AIR FOR PRIMARY BURNER

$$\frac{450 \text{ CF}}{\text{HR}} \times \frac{2 \text{ CF O}_2}{\text{CF}} \times \frac{1 \text{ CF AIR}}{0.21 \text{ CF O}_2} = 4327 \text{ CFH} = 72 \text{ CFM (Stoichiometric)}$$

$$1658.5 \times 5.3 \text{ SI} \times 0.97 \sqrt{0.5} = 6029 \text{ CFH} = 100 \text{ CFM (Actual)}$$

C. SECONDARY BURNER NATURAL GAS USAGE

$$\frac{1200000 \text{ BTU/HR}}{1000 \text{ BTU/CF}} = 1200 \text{ CFH} = 20 \text{ CFM}$$

D. COMBUSTION AIR FOR SECONDARY BURNER

$$\frac{1200 \text{ CF}}{\text{HR}} \times \frac{2 \text{ CF O}_2}{\text{CF}} \times \frac{1 \text{ CF AIR}}{0.21 \text{ CF O}_2} = 11538 \text{ CFH} = 192 \text{ CFM (Stoichiometric)}$$

$$1658.5 \times 5.3 \text{ SI} \times 0.97 \sqrt{2.25} = 12790 \text{ CFH} = 213 \text{ CFM (Actual)}$$

E. PRODUCTS FROM TYPE 0 WASTE (CONTAINER)

$$0.95 \text{ LBS/LB BURNED} \quad \times \quad 5 \text{ LB/HR BURN RATE} \quad = \quad 5 \text{ LBS/HOUR}$$

$$= 63 \text{ CFH}$$

$$= 1 \text{ CFM}$$

F. PRODUCTS FROM TYPE 4 WASTE (TISSUE)

$$0.95 \text{ LBS/LB WASTE} \quad \times \quad 145 \text{ LB/HR BURN RATE} \quad = \quad 138 \text{ LBS/HOUR}$$

$$= 1833 \text{ CFH}$$

$$= 31 \text{ CFM}$$

G. ADDITIONAL COMBUSTION AIR (HEARTH & THROAT AIR)

$$12000 \text{ CFH} \quad = \quad 200 \text{ CFM}$$

$$6000 \text{ CFH} \quad = \quad 100 \text{ CFM}$$

$$= 150 \text{ CFM/CREMATION}$$

H. TOTAL FLUE PRODUCTS

$$= \underline{\underline{523 \text{ SCFM}}}$$

2. VELOCITY AND TIME CALCULATIONS

A. TOTAL PRODUCTS ACFM @ 1800 °F

$$\frac{2260 \text{ °RANKINE}}{530 \text{ °RANKINE}} \quad \times \quad 522.8 \text{ CFM} \quad = \quad 2229 \text{ ACFM}$$

B. RETENTION TIME

$$\frac{74 \text{ CU. FT}}{2229 \text{ ACFM}} \quad \times \quad \frac{60 \text{ SECONDS}}{1 \text{ MINUTE}} \quad = \quad 2.0 \text{ SECONDS}$$

C. VELOCITY IN FLAME PORT

$$\frac{2229 \text{ ACFM}}{2.8 \text{ SQ. FT}} \quad \times \quad \frac{1 \text{ MINUTE}}{60 \text{ SECONDS}} \quad = \quad 13.3 \text{ FEET/SECOND}$$

D. VELOCITY AT MIXING BAFFLES

$$\frac{2229 \text{ ACFM}}{1.4 \text{ SQ. FT}} \quad \times \quad \frac{1 \text{ MINUTE}}{60 \text{ SECONDS}} \quad = \quad 26.5 \text{ FEET/SECOND}$$

E. VELOCITY IN SECONDARY CHAMBER

$$\frac{2229 \text{ ACFM}}{2.7 \text{ SQ. FT}} \quad \times \quad \frac{1 \text{ MINUTE}}{60 \text{ SECONDS}} \quad = \quad 13.8 \text{ FEET/SECOND}$$

STACK CONDITIONS

STACK EXIT DIAMETER (INCHES)	20
STACK EXIT AREA (SQ. FT)	2.18
FLUE GAS TEMPERATURE (°F) (Secondary chamber exhaust)	1800
INDUCING AIR TEMPERATURE (°F)	70
INDUCING AIR QUANTITY (CFH)	15000

5. STACK CALCULATIONS

A. STACK GAS TEMPERATURE

$$523 (T - 2260) = 250 (T - 530) = 1240 \text{ °FAHRENHEIT}$$

B. STACK GAS VOLUME (STACK CONDITIONS)

$$\left(\frac{523}{60} + \frac{250}{60} \right) \text{ SCFM} \times \frac{1700}{530} = 41 \text{ ACFS}$$

$$= 2479 \text{ ACFM}$$

$$= 773 \text{ SCFM}$$

C. STACK EXIT VELOCITY

<u>41</u> ACFS					
2.18	SQ. FT			=	19 FEET PER SECOND
				=	1137 FEET PER MINUTE

D. PERCENT WATER VAPOR (Volume Conversion)

0.1 lb/lb waste Type 0	X	<u>29</u> Mol Wt. Air			= 0.16 lb/lb waste Type 0
		18 Mol. Wt. Water			
0.85 lb/lb waste Type 4	X	<u>29</u> Mol Wt. Air			= 1.36 lb/lb waste Type 4
		18 Mol. Wt. Water			
0.16 lb/lb waste Type 0	X	5 LB/HR BURN RATE			= 0.8 lb/hr
1.36 lb/lb waste Type 4	X	145.0 LB/HR BURN RATE			= 198 lb/hr
2.25 lb/lb fuel (NG)	X	69 LB/HR BURN RATE			= 156 lb/hr
					= 355 lb/hr total
					= 116 SCFM
					= 15 % Water Vapor (Theoretical)

E. PERCENT O2 & CO2 @ CREMATOR TEST PORT (Theoretical)

1650 CFH CH4					5786 CFH O2 27819 CFH AIR 1650 CFH CO2 3300 CFH H2O
15 LB AIR 10000 BTU	8500 BTU LB	0.85 LB LB	5.0 LB HR		54 LB/HR AIR - Type 0 721 SCFH
15 LB AIR 10000 BTU	1000 BTU LB	0.1 LB LB	145.0 LB HR		22 LB/HR AIR - Type 4 289 SCFH
				Stoichiometric Air =	16876 SCFH 281 SCFM
				Excess Air =	10942 SCFH 182 SCFM
Total Flue Products					523 CFM - 116 CFM MOISTURE 407 CFM GAS
CO2	2802 CFH	=	47 SCFM	=	11 % CO2
O2	2276 CFH	=	38 SCFM	=	9 % O2

F. PERCENT O2 & CO2 @ STACK TEST PORT (Theoretical)

Total Flue Products (adding inducing air to total flue products)					773 CFM - 116 CFM MOISTURE 657 CFM GAS
CO2	2802 CFH	=	47 SCFM	=	7 % CO2
O2	5396 CFH	=	89.9 SCFM	=	14 % O2

**EMISSIONS TESTING
REPORT**

PERMIT NO. 0950126-005-AG

**IE43-PPII, POWER-PAK II
CREMATOR**

PREPARED FOR:

BALDWIN FAIRCHILD

ORLANDO, FLORIDA

MAY 5, 2005

PREPARED BY:

ATC



AIR TESTING & CONSULTING, INC.

333 FALKENBURG ROAD, SUITE B-214
TAMPA, FLORIDA 33619

ATC



AIR TESTING & CONSULTING, INC.

333 FALKENBURG ROAD, SUITE B-214
TAMPA, FLORIDA 33619

To the best of my knowledge, all field and analytical procedures comply with Florida Department of Environmental Protection requirements and all test data and plant operating data are true and correct.

A handwritten signature in cursive script that reads "Kenneth E. Given".

Kenneth E. Given, P.E.

5-10-05

Date

1.0 INTRODUCTION

On May 5, 2005, Air Testing & Consulting, Inc., conducted the following tests on Baldwin Fairchild's Human Crematory Incinerator located at 301 N. Ivanhoe Blvd. in Orlando, Florida:

- (1) *Particulate Emission (EPA Methods 1 – 5)*
- (2) *Carbon Monoxide (EPA Method 10)*
- (3) *Visible Emissions (EPA Method 9)*
- (4) *Oxygen (EPA Method 3A)*

These tests were performed at the request of Mathews Cremation Division to prove compliance on the Power Pak II crematory incinerator. Orange County, Environmental Protection Division, representatives, Gregory Bryant, Ilka Bundy and John Casper audited the test.

2.0 SUMMARY OF RESULTS

The results of the emission testing are presented in the Test Summary. The Particulate emissions averaged 0.0549 grains per dry standard cubic foot (gr/dscf) and CO emissions averaged 2.2 parts per million (ppmv), each corrected to 7% O₂. Opacity, highest six-minute average, on the stack, was 0%.

3.0 SUMMARY OF TEST DATA

PLANT : BALDWIN

UNIT : POWER-PACK II

RUN NUMBERS : 1, 2, 3

TEST DATE :	5/5/05	#1	#2	#3	AVERAGES
DATE		5/5/05	5/5/05	5/5/05	
START TIME		10:32	13:05	15:27	
END TIME		11:50	14:09	16:29	
STACK DIAMETER (INCHES)		19.5	19.5	19.5	
NOZZLE DIAMETER (INCHES)		0.550	0.550	0.550	
TEST TIME (MINUTES)		60	60	60	
NUMBER OF TEST POINTS PER RUN		24	24	24	
STACK GAS TEMPERATURE (°F)		850.0	991.8	1128	989.9
STACK GAS MOISTURE (%)		12.51	9.76	6.56	
STACK GAS MOLECULAR WEIGHT		28.50	28.83	29.21	
STACK GAS VOLUME SAMPLED (CUBIC FEET)		34.375	36.840	40.110	37.108
VOLUME SAMPLED (SCF @ 68°F)		34.585	37.020	40.270	37.292
STACK GAS VELOCITY (FEET PER SECOND)		18.14	17.30	19.75	18.39
STACK GAS FLOW RATE (ACFM)		2257.0	2152.2	2457.7	2288.9
STACK GAS FLOW RATE (DSCFM @ 68°F)		801.7	711.5	769.2	760.8
OXYGEN, %		16.0	14.0	14.5	
PARTICULATE CONC (GR/DSCF) @7% O ₂		0.0359	0.1122	0.0165	0.0549
PARTICULATE MASS RATE (LBS/HOUR)		0.0871	0.3396	0.0500	0.1589
CO CONC @ 7% O ₂ , ppmv		1.42	2.01	3.26	2.23
CO MASS RATE (LBS/HOUR)		0.00175	0.00310	0.00503	0.0033
ISOKINETIC SAMPLING RATE, %I		90.4	109.0	109.7	

FIELD DATA AND SAMPLES UNDER THE CONTROL OF:

TIM CAPELLE

LABORATORY ANALYSIS UNDER THE CONTROL OF:

ATC



Cremation Division

01/14/09

Farley Funeral Home
265 South Nokomis Ave
Venice, FL 34285

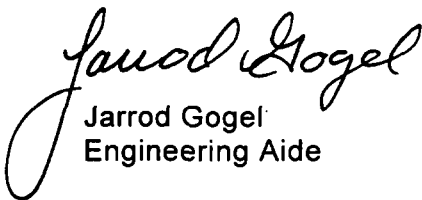
Dear Mr. Williams,

Enclosed are your permit application forms for the air general permit registration for your new cremator. Please fill in the highlighted areas and make 2 copies of the entire packet. Once completed you can keep a copy for your records and send the other two (one must have original signature) to the following address (along with a \$100 check payable to Florida Department of Environmental Protection):

FDEP Receipts
P.O. Box 3070
Tallahassee, FL 32803-7555

Give me a call if you have questions. When you finally receive the permit please fax or mail us a copy so we can put it in your file.

Sincerely,


Jarrod Gogel
Engineering Aide

