



Florida Department of Environmental Protection

Bob Martinez Center
2600 Blair Stone Road
Tallahassee, Florida 32399-2400

Charlie Crist
Governor

Jeff Kottkamp
Lt. Governor

Michael W. Sole
Secretary

April 7, 2008

Mr. Michael S. Fuller
President
Fuller Pet Funeral Services, LLC
1625 Pine Ridge Road
Naples, Florida 34109

Dear Mr. Fuller:


This is to acknowledge that your notification of intent to use the authority of Rule 62-210.310 to operate your facility was received on March 4, 2008. We have assigned ARMS No. 0210113-001 to this facility.

As you know, pursuant to Florida Statutes section 403.814, authority to operate under general permits commences thirty days after receipt of the registration form unless you have been notified by this office that your facility has not shown entitlement to operate pursuant to the rule provisions.

For your information, authority to operate pursuant to Rule 62-210.310 expires after 5 years. Therefore, a new registration form must be received no later than 5 years after the date your notice was received as indicated above. If your general permit rule conditions require testing, such testing must be completed within the time frame specified in the rule.

If you have any additional questions, please contact Dickson Dibble at 850/921-9586.

Sincerely,


Sandra F. Veazey, Chief
Bureau of Air Monitoring
and Mobile Sources

SFV/pg

cc: Mr. Sherrill Culliver, South District

ANIMAL CREMATORY
AIR GENERAL PERMIT REGISTRATION FORM

RECEIVED
FEB 25 2008
Bureau of Air Monitoring
& Mobile Sources

Part II. Notification to Permitting Office
(Detach and submit to appropriate permitting office; keep copy onsite)

Instructions: To give notice to the Department of an eligible facility's intent to use this air general permit, the owner or operator of the facility must detach and complete this part of the Air General Permit Registration Form and submit it to the appropriate Department of Environmental Protection or local air pollution control program office which has permitting authority. Please type or print clearly all information, and enclose the appropriate air general permit registration processing fee pursuant to Rule 62-4.050(4)(o), F.A.C. (\$100 as of the effective date of this form)

0210113-001

RECEIVED
MAR 10 2008
Bureau of Air Monitoring
& Mobile Sources

Registration Type

Check one:

INITIAL REGISTRATION - Notification of intent to:

- Construct and operate a proposed new facility.
- Operate an existing facility not currently using an air general permit (e.g., a facility proposing to go from an air operation permit to an air general permit).

RE-REGISTRATION (for facilities currently using an air general permit) - Notification of intent to:

- Continue operating the facility after expiration of the current term of air general permit use.
- Continue operating the facility after a change of ownership.
- Make an equipment change requiring re-registration pursuant to Rule 62-210.310(2)(e), F.A.C., or any other change not considered an administrative correction under Rule 62-210.310(2)(d), F.A.C.

Surrender of Existing Air Operation Permit(s) - For Initial Registrations Only

0210017 - Human

If the facility currently holds one or more air operation permits, such permit(s) must be surrendered by the owner or operator upon the effective date of this air general permit. In such case, check the first box, and indicate the operation permits being surrendered. If no air operation permits are held by the facility, check the second box.

- All existing air operation permits for this facility are hereby surrendered upon the effective date of this air general permit; specifically permit number(s):
- No air operation permits currently exist for this facility.

General Facility Information

Facility Owner/Company Name (Name of corporation, agency, or individual owner who or which owns, leases, operates, controls, or supervises the facility.)

Fuller Pet Funeral Services LLC.

Site Name (Name, if any, of the facility site; e.g., Plant A, Metropolis Plant, etc. If more than one facility is owned, a registration form must be completed for each.)

Facility Location (Provide the physical location of the facility, not necessarily the mailing address.)

Street Address: 4424 TAMiami Trail EAST
City: Naples FL County: Collier Zip Code: 34112

Facility Start-Up Date (Estimated start-up date of proposed new facility.) (N/A for existing facilities)

Early 2008 April 1, 2008

RECEIVED - D.E.P.
FEB 20 2008
SOUTH DISTRICT

Owner/Authorized Representative

| | |
|--|--|
| <u>Name and Position Title:</u> (Person who, by signing this form below, certifies that the facility is eligible to use this air general permit.) Print Name and Title: Michael S. Fuller. President. | |
| <u>Owner/Authorized Representative Mailing Address</u> Organization/Firm: Street Address: 1625 Pine Ridge Road City: Naples FL. County: Collier Zip Code: 34109 34109 | |
| <u>Owner/Authorized Representative Telephone Numbers</u> Telephone: 239-592-1611 Fax: 239-592-1199 Cell phone (optional): 239-571-5451 | |

Facility Contact (If different from Owner/Authorized Representative)

| | |
|--|--|
| <u>Name and Position Title</u> (Plant manager or person to be contacted regarding day-to-day operations at the facility.) Print Name and Title: | |
| <u>Facility Contact Mailing Address</u> Organization/Firm: Street Address: City: County: Zip Code: | |
| <u>Facility Contact Telephone Numbers</u> Telephone: Fax: Cell phone (optional): | |

Owner/Authorized Representative Statement

This statement must be signed and dated by the person named above as owner or authorized representative

I, the undersigned, am the owner or authorized representative of the owner or operator of the facility addressed in this Air General Permit Registration Form. I hereby certify, based on information and belief formed after reasonable inquiry, that the facility addressed in this registration form is eligible for use of this air general permit and that the statements made in this registration form are true, accurate and complete. Further, I agree to operate and maintain the facility described in this registration form so as to comply with all applicable standards for control of air pollutant emissions found in the statutes of the State of Florida and rules of the Department of Environmental Protection and revisions thereof.

I will promptly notify the Department of any changes to the information contained in this registration form.

Signature: Michael S. Fuller Date: 2/15/08

Design Calculations

If this is an initial registration for a proposed new animal crematory unit, provide design calculations to confirm a sufficient volume in the secondary chamber combustion zone to provide for at least a 1.0 second gas residence time at 1800 degrees F.

- Manufacturer's' design calculations attached.
- Registration is not for proposed new animal crematory unit(s).

Description of Facility

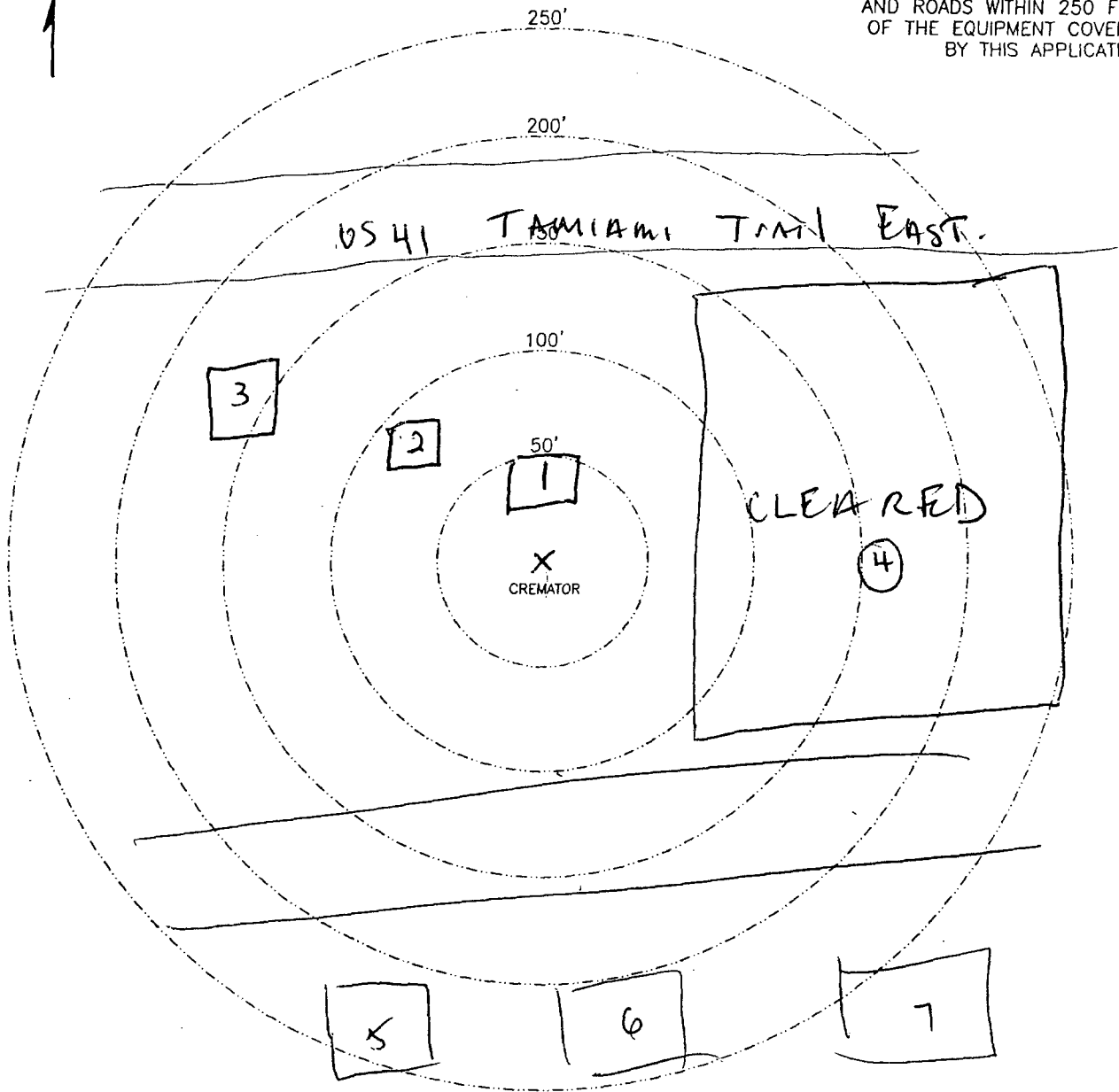
Below, or as an attachment to this form, provide a description of all crematory operations at the facility in sufficient detail to demonstrate the facility's eligibility for use of this air general permit and to provide a basis for tracking any future equipment or process changes at the facility. Describe all air pollutant-emitting processes and equipment at the facility, and identify any air pollution control measures or equipment used.

See attached process flow diagram

PLOT PLAN

NORTH
↑

SHOW ALL SURROUNDING BUILDINGS AND ROADS WITHIN 250 FEET OF THE EQUIPMENT COVERED BY THIS APPLICATION.

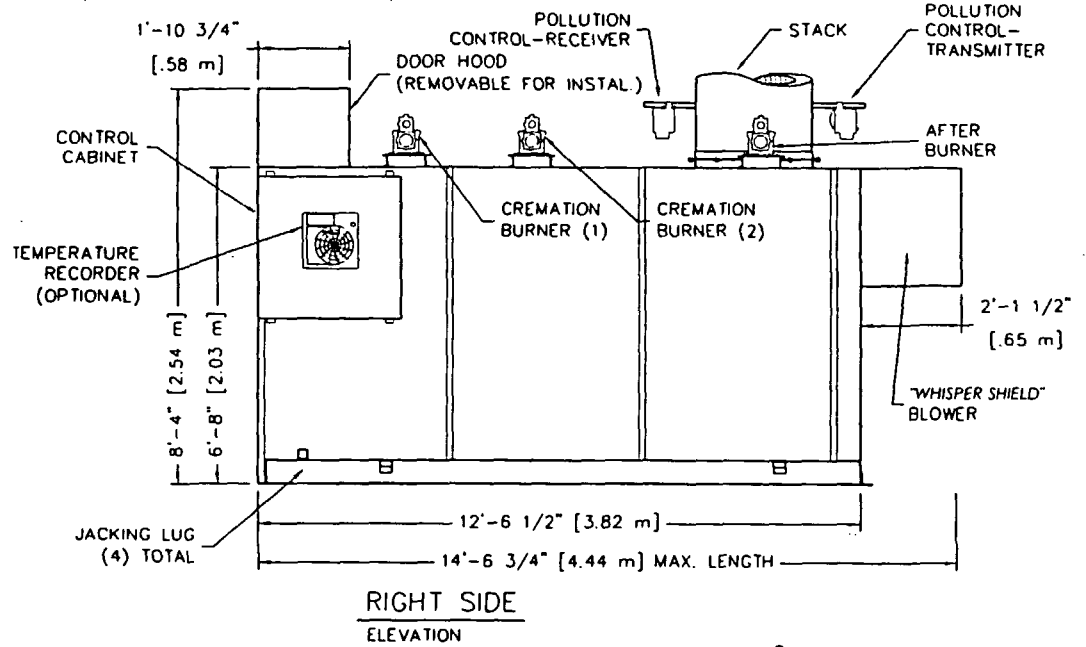
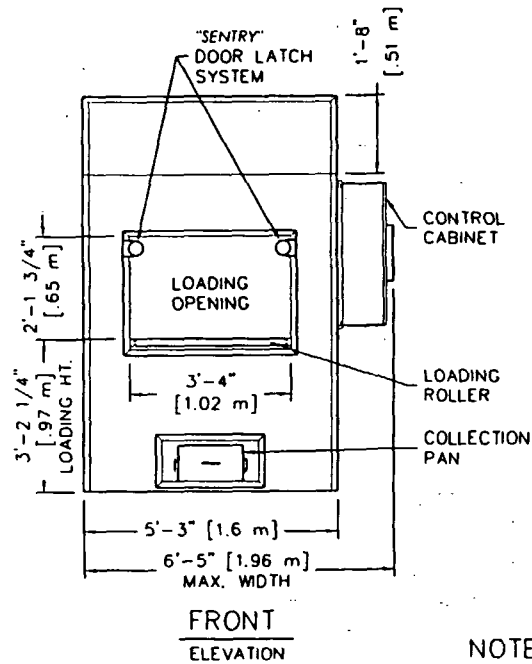


INSTRUCTIONS

1. INDICATE LOCATION AND TYPE OF BUILDING BY THE USE OF SMALL NUMBERED CIRCLES WITH THE DESCRIPTION BELOW.
2. SHOW ROADS AS LINES REPRESENTING THE ROAD EDGES. INDICATE STREET NAMES AND HIGHWAY NUMBERS.
3. SHOW WOODED OR CLEARED AREA BY APPROXIMATE BOUNDARY LINES AND THE WORDS "WOODS," "CLEARED," "CORNFIELD," ETC.

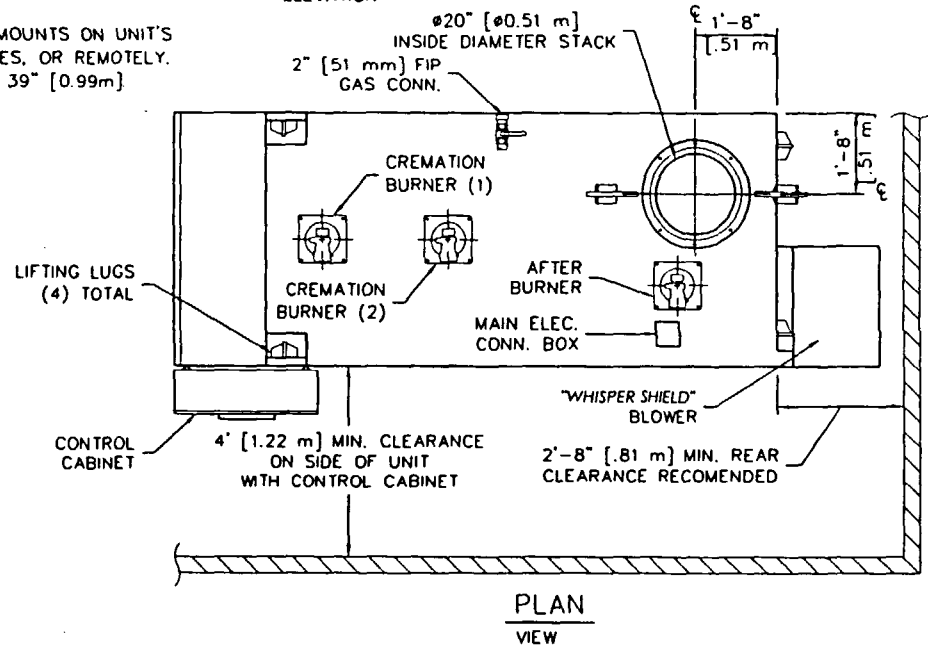
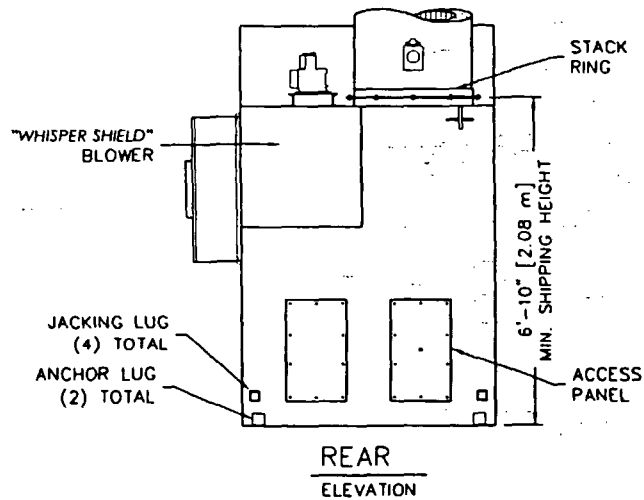
STRUCTURE DESCRIPTION

- (1) 5000 sq ft Building.
- (2) Flex Box Paint Store
- (3) Hardware Store.
- (4) VACANT LOT
- (5) House
- (6) House
- (7) House.
- (8)
- (9)
- (10)



NOTES:

- 1) CONTROL CABINET MOUNTS ON UNIT'S LEFT OR RIGHT SIDES, OR REMOTELY.
- 2) CHAMBER WIDTH IS 39" [0.99m]



Matthews
CREMATION DIVISION

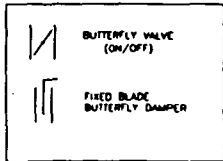
2045 Sprint Boulevard
Apopka, Florida 32703
USA

POWER-PAK II (PET)

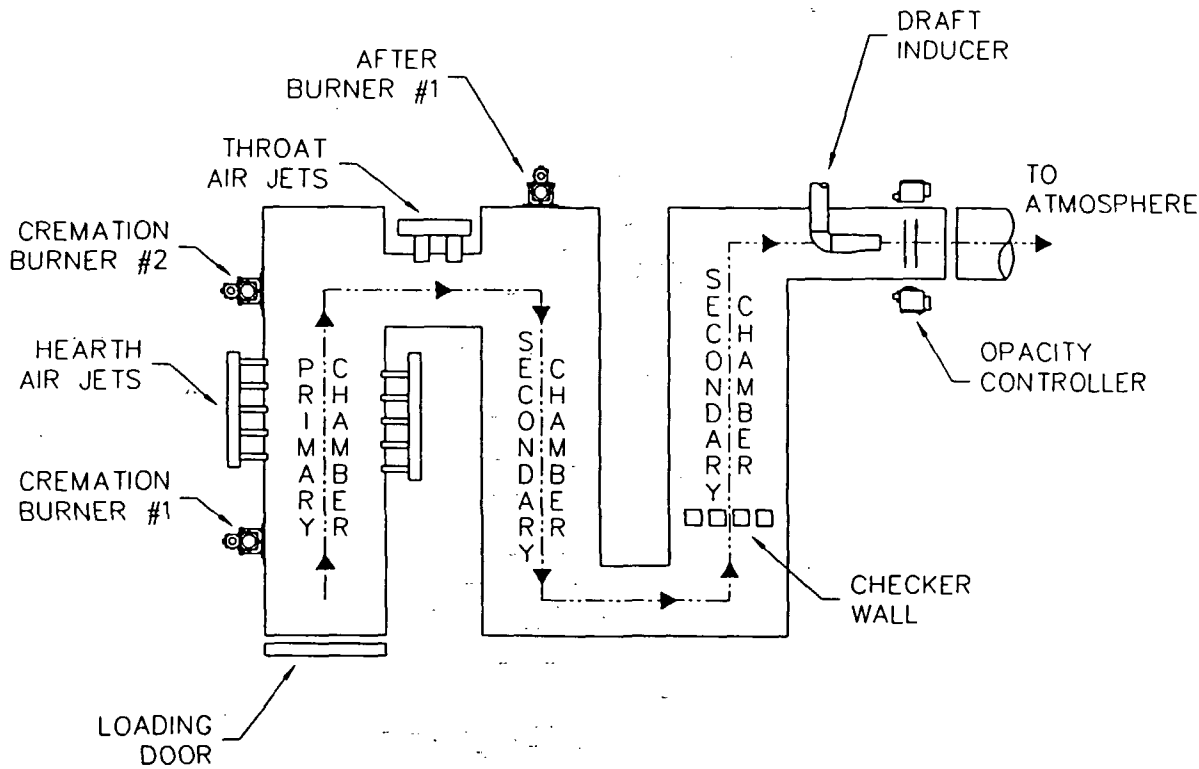
PLAN & ELEVATIONS INCL: CLEARANCES,
REQUIREMENTS & RECOMENDATIONS

| | | | |
|-----------|--------------------------------|-------------|---------|
| DATE: | 10-26-06 | SCALE: | 1/4"=1' |
| DRAWN: | JG | PLOT SCALE: | 1:48 |
| APRVD: | | SHEET: | 1 OF: 1 |
| DWG FILE: | PPII-Pet-MarketingPlanElevS1R2 | | |
| DWG #: | 0000139 | | |

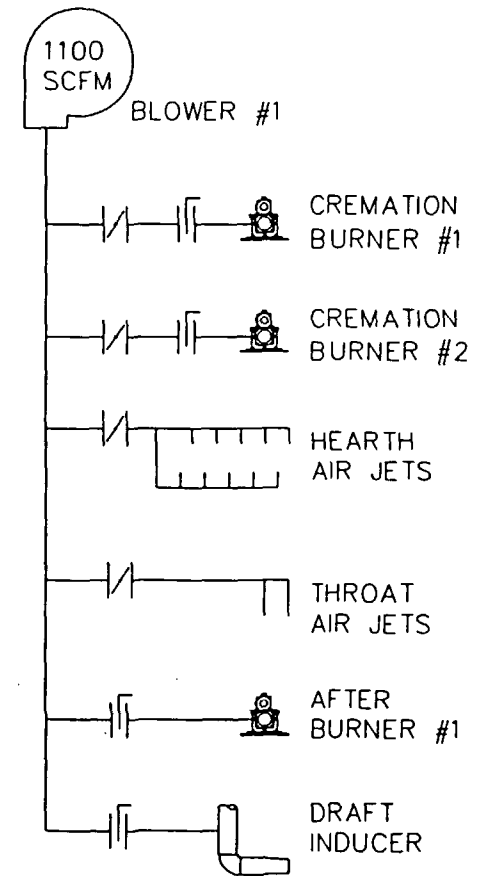
LEGEND OF SYMBOLS



FLOW DIAGRAM



AIR SCHEMATIC



Matthews
CREMATION DIVISION
2045 Sprint Boulevard
Apopka, Florida 32703
USA

POWER PAK II Pet

FLOW DIAGRAM
& AIR SCHEMATIC

| | | | |
|-----------|-------------------------|-------------|---------|
| DATE: | 08-05-05 | SCALE: | 1/4"=1' |
| DRAWN: | JG | PLOT SCALE: | 1:48 |
| APRVD: | | SHEET: | 1 OF: 1 |
| DWG FILE: | PPII-PetFlowDioAirSchem | | |
| DWG #: | 0000644 | | |

CREMATOR CLEARANCES

RECOMMENDED

MINIMUM

| | | |
|---------------|-------------------|--------------------|
| TOP: ② | 2 FEET [610 mm] | 6 INCHES [152 mm] |
| CABINET SIDE: | 4 FEET [1.22 m] | 4 FEET [1.22 m] |
| OTHER SIDE: | 2 FEET [610 mm] | 6 INCHES [152 mm] |
| FRONT: | 9 FEET [2.74 m] | 8 FEET [2.44 m] |
| REAR: | 3 FEET [0.91 m] | 32 INCHES [812 mm] |
| STACK: | 6 INCHES [152 mm] | 6 INCHES [152 mm] |

- FOR CLEARANCES OTHER THAN THOSE SHOWN, OR FOR SPECIAL REQUIREMENTS, CONSULT YOUR MCD REP.
- FROM HIGHEST POINT ON UNIT.
- CONTROL CABINET MOUNTS ON UNIT'S LEFT OR RIGHT SIDES, OR REMOTELY. (SEE PLAN VIEW, SHEET 1).
- REAR OF UNIT REFERS TO THE "BACK PLATE", RATHER THAN THE BACK OF THE "WHISPER SHIELD". (SEE PLAN VIEW, SHEET 1).

CREMATOR REQUIREMENTS

FUEL: A PRESSURE REGULATOR ADJUSTABLE TO 7" [178 mm] W.C. FOR NATURAL GAS, OR 11" [279 mm] W.C. FOR LP GAS.

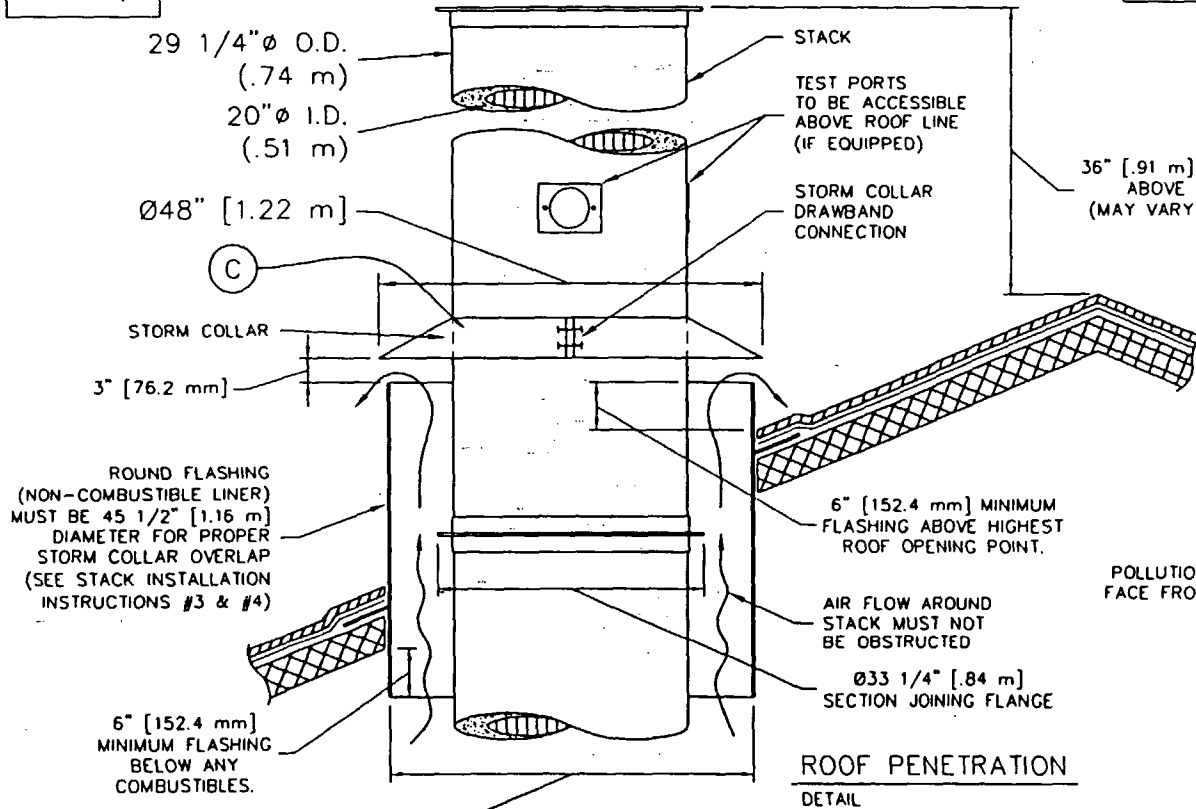
CAPACITY: RANGES FROM 2.0 TO 4.0 MILLION BTU/HR [2.1 TO 3.1 MILLION KILOJOULES/HR] DEPENDING UPON AMOUNT OF BURNERS.

ELECTRICAL: 230 VOLT, 3 ϕ , (40A BREAKER) AND 115v (10A BREAKER), OR 230 VOLT, 1 ϕ , (70A BREAKER) AND 115v (10A BREAKER) 50/60 HERTZ

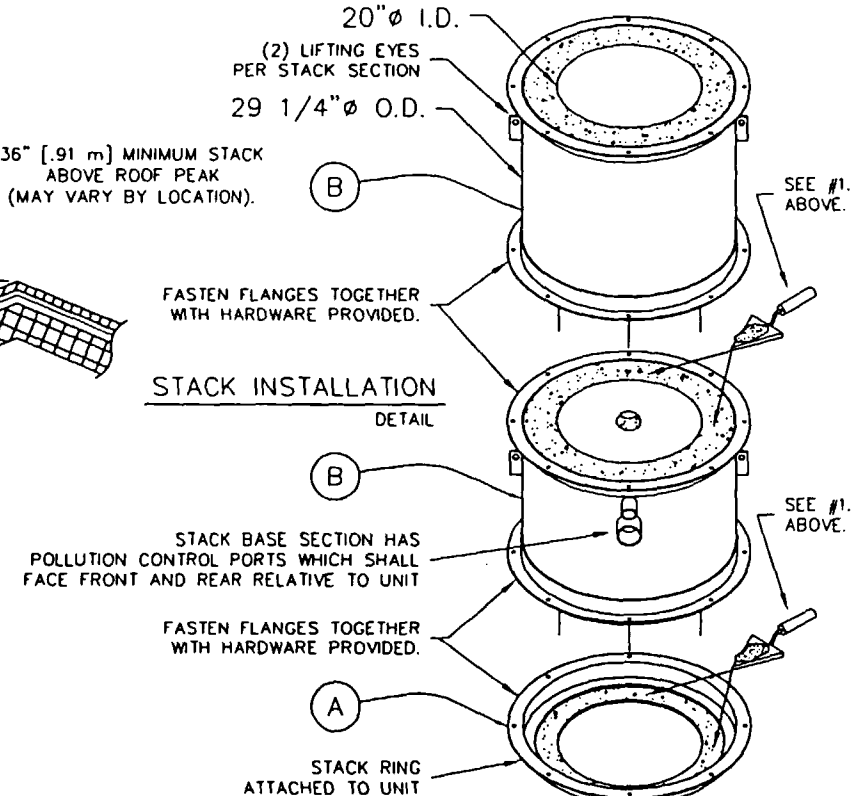
AIR: LOUVER NEAR THE REAR OF THE UNIT CAPABLE OF PASSING 2,500 CU FT/MIN [70.8 CU M/MIN] OF FREE AIR (36" X 36") [914 mm X 914 mm].

STACK INSTALLATION INSTRUCTIONS

- APPLY A 1/2" THICK MORTAR JOINT TO EXPOSED REFRACTORY SURFACE IN STACK RING. LOWER THE BASE STACK SECTION (B) ONTO STACK RING (A) AND FASTEN WITH HARDWARE PROVIDED (NO MORE THAN (2) STACK SECTIONS SHALL BE LIFTED TOGETHER). REPEAT PROCESS FOR REMAINING STACK SECTIONS. IF SECTIONS OF VARYING LENGTHS ARE SUPPLIED, ASSEMBLE AS TO AVOID FLANGES & LIFTING EYES INTERFERING WITH RAIN COLLAR LOCATION.
- INSTALL STORM COLLAR ON STACK, 3" [72 mm] ABOVE NON-COMBUSTIBLE LINER (FLASHING), ALLOWING FOR PROPER VENTILATION (SEE DETAIL).
- APPLY A 1/4" [6 mm] BEAD OF HIGH-TEMPERATURE SILICON SEALANT (PROVIDED BY MCD) TO THE JOINT BETWEEN THE STORM COLLAR (C) AND THE STACK (B).
- STORM COLLAR IS FURNISHED BY MCD. THE NON-COMBUSTIBLE LINER (FLASHING) TO BE PROVIDED BY THE OTHERS.
- IF FIFTY PERCENT OF THE STACK LENGTH IS ABOVE THE ROOF, GUY WIRES MAY BE REQUIRED. CONSULT WITH YOUR MCD REP.
- RAIN CAP NOT REQUIRED.



ROOF PENETRATION
DETAIL



STACK INSTALLATION
DETAIL

Ø45 1/2" [1.16 m]
REQUIRED FOR PROPER
STACK CLEARANCE.

Matthews
CREMATION DIVISION

2045 Sprint Boulevard
Apopka, Florida 32703
USA

POWER-PAK II (PET)

STACK DETAILS, CLEARANCES &
INSTALLATION INSTRUCTIONS.
REFRACTORY STACK DETAIL

| | | | |
|-----------|---------------------------------|-------------|---------|
| DATE: | 10-26-06 | SCALE: | 1/2"=1' |
| DRAWN: | JG | PLOT SCALE: | 1:24 |
| APRVD: | | SHEET: | 2 OF: 2 |
| DWG FILE: | PPII-Pet-MarketingStackRefIS2R4 | | |
| DWG #: | 0000139 | | |

SPECIFICATIONS- Power-Pak II Pet

1. Equipment Type Matthews Cremation Division; Power-Pak II
 - A. Model No. IE43-PPII
 - B. Underwriters Laboratories Listing and File No. ... Listing No. 87E8; File No. MH14647
2. Dimensions
 - A. Footprint 12' - 6 1/2" x 6' - 8"
 - B. Maximum Length 14' - 6 1/2"
 - C. Maximum Width 6' - 5"
 - D. Maximum Height 8' - 4"
 - E. Chamber Loading Opening 25 3/4" H x 39" W (into chamber)
3. Weight 24,000 lbs.
4. Utility/Air Requirements
 - A. Gross Gas Input, Natural or LP Gas 2,700,000 BTU/hr. max.
 Running Gas Pressure, Natural Gas 7 inches w.c. or greater
 Running Gas Pressure, LP Gas 11 inches w.c. or greater
 - B. Electrical Supply 230 volt, 3Ø or 1Ø, 60 hz (other available)
 - C. Air Supply 2,500 cfm
5. Incineration Capacity
 - A. Type 4 Material 200 lbs./hr.
6. Typical Loading Capacity of Material
 - A. Type 4 Material 400 to 750 lbs.
7. Construction and Safety Standards Incineration Institute of America, Underwriters Laboratories
8. Steel Structure Construction
 - A. Frame 2" square tubing
 - B. Front/Rear Plates 3/8" plate
 - C. Floor Plates 3/16" plate
 - D. Outer Side Casing 12 gauge plate
 - E. Inner Side Casing 12 gauge plate
9. Stack Construction
 - A. Inner Wall 4 1/2" insulating firebrick or castable
 - B. Outer Wall 12 gauge plate, type 304 s.s., welded seams
10. Draft Nozzle Construction Schedule 40 type 316 s.s. pipe
11. Main Chamber Door Construction
 - A. Steel Shell 3/16" steel, welded with reinforcement
 - B. Outer Refractory 1" insulating block
 - C. Inner Refractory 4 1/2" insulating firebrick
12. Primary Chamber Wall Construction
 - A. Outer Casing Wall 12 gauge plate

SPECIFICATIONS- Power-Pak II Pet

- | | | |
|-----|--|--|
| B. | Inner Frame/Air Compartment | 2" air compartment |
| C. | Inner Casing Wall | 12 gauge plate |
| D. | Outer Refractory Wall | 5" insulating block |
| E. | Inner Refractory Wall | 4½" firebrick |
| 13. | Secondary Chamber Wall Construction | |
| A. | Outer Casing Wall..... | 12 gauge plate |
| B. | Inner Frame/Air Compartment | 2" air compartment |
| C. | Inner Casing Wall | 12 gauge plate |
| D. | Outer Refractory Wall | 6" insulating block |
| E. | Inner Refractory Wall | 4½" firebrick |
| 14. | Refractory Temperature Ratings | |
| A. | Standard Firebrick..... | 3,100° F. |
| B. | Insulating Firebrick..... | 2,600° F. |
| C. | Castable Refractory (Hearth) | 2,800° F. |
| D. | Castable Refractory | 2,550° F. |
| E. | Insulating Block..... | 1,900° F. |
| F. | Bonding Mortar | 3,200° F. |
| 15. | Chamber Volumes (not including external flues, stacks or chimneys) | |
| A. | Primary Chamber..... | 64 cubic feet |
| B. | Secondary Chamber | 74 cubic feet |
| 16. | Emission Control Features | |
| A. | Secondary Chamber with Afterburner | Included |
| B. | Opacity Monitor and Controller with Visual and Audible Alarms..... | Included |
| C. | Auxiliary Air Control System..... | Included |
| D. | Microprocessor Temperature Control System..... | Included |
| 17. | Operating Temperatures | |
| A. | Primary Chamber..... | 1,200° F. - 1,800° F. |
| B. | Secondary Chamber | 1,400° F. - 1,800° F. (as required) |
| 18. | Secondary Chamber Retention Time | |
| A. | Type 4 Material | > 1 second |
| 19. | Ash Removal | Door functions as a heat shield. Sweep out beneath front door into a hopper that fills a collection pan. |
| 20. | Safety Interlocks | |
| A. | High Gas Pressure..... | Optional |
| B. | Low Gas Pressure | Optional |
| C. | Blower Air Pressure | Included |
| D. | Door Position | Included |
| E. | Opacity | Included |
| F. | Motor Starter Function | Included |
| G. | Chamber Temperature..... | Included |
| H. | Motor Overload | Included |

SPECIFICATIONS- Power-Pak II Pet

- I. Flame Quality..... Included
- J. Burner Safe Start..... Included

- 22. Burner Description..... The nozzle mix burners used on this cremation equipment are industrial quality and designed for incinerator use.

- 23. Ultraviolet Flame Detection..... Ultraviolet flame detection has proven to be the most reliable means of flame safety. The system is completely sealed in a quartz capsule to eliminate problems, caused by moisture and dust created in the cremation process, which effect flame rod detectors.

- 24. Operating Panel Indicating Lights
 - A. Safe Run..... Included
 - B. Door Closed..... Included
 - C. Pollution Alarm..... Included
 - D. Afterburner On (Secondary Burner)..... Included
 - E. Cremation Burners On..... Included
 - F. Low Fire Cremation Burner On..... Included
 - G. Afterburner (Secondary Burner) Reset..... Included
 - H. Cremation Burners Reset..... Included
 - I. Hearth Air..... Included
 - J. Throat Air Off..... Included

- 25. Automatic Timer Functions
 - A. Master Cycle..... Included
 - B. Afterburner (Secondary Burner)..... Included
 - C. Cremation Burners..... Included
 - D. Low Fire Cremation Burner..... Included
 - E. Hearth Air..... Included
 - F. Throat Air..... Included
 - G. Pollution Monitoring..... Included
 - H. Afterburner (Secondary Burner) Prepurge..... Included
 - I. Cremation Burner Prepurge..... Included
 - J. Cool Down..... Included

- 26. Exterior Finish
 - A. Primer..... 2 coats rust inhibiting
 - B. Finish..... 2 coats textured finish

- 27. Start-Up and Training..... Startup of cremation equipment and training of operators to properly operate and maintain the equipment is performed on-site under actual operating conditions. Included is a comprehensive owner's manual, with details on the equipment, its components and proper operation.

- 28. Environmental Submittals..... Complete technical portion of state environmental permits. Engineering calculations,

CREMATOR MASS BALANCE

Matthews International Cremation Division
Industrial Equipment & Engineering Co.

Model IE43-PPII (Power-Pak II) Crematory Incinerator, Fired on Natural Gas
Pet Unit

2-Jan-08

THESE CALCULATIONS HAVE BEEN PREPARED TO EVALUATE THE COMBUSTION
PROCESS IN THE POWER-PAK II CREMATORY INCINERATOR

Firing Rate 200 lb/hr = 100 % of 200 lbs/hr Rated Capacity)
Excess Air 100 %

THE INCINERATOR INSTITUTE OF AMERICA HAS PUBLISHED THE FOLLOWING SPECIFICATIONS
COVERING AVERAGE WASTES.

| WASTE TYPE | TYPE 0 | TYPE 4 |
|------------------------------------|--------|--------|
| BTU PER POUND | 8500 | 1000 |
| POUND ASH PER POUND WASTE | 0.05 | 0.05 |
| POUND MOISTURE PER POUND WASTE | 0.1 | 0.85 |
| POUND COMBUSTIBLES PER POUND WASTE | 0.85 | 0.1 |
| HOURLY CONSUMPTION OF WASTE (LBS) | 1.0 | 199.0 |

| SPECIFICATIONS | | |
|--|------|------------|
| PRIMARY CREMATION BURNER FUEL CONSUMPTION | 0.7 | (MMBTU/HR) |
| SECONDARY CREMATION BURNER FUEL CONSUMPTION | 1.0 | (MMBTU/HR) |
| PRIMARY CHAMBER VOLUME (CU.FT) | 64 | |
| HEARTH AREA (SQ.FT) | 26.4 | |
| SECONDARY BURNER FUEL CONSUMPTION (MMBTU/HR) | 1.0 | |
| ADDITIONAL COMBUSTION AIR SUPPLIED | | |
| THROAT AIR (SCFM) | 75 | |
| HEARTH AIR (SCFM) | 50 | |
| SEC. CHAMBER OPERATING TEMPERATURE (°F) | 1800 | |
| SECONDARY CHAMBER VOLUME (CU. FT) | 74 | |
| SEC. CHAMB. CROSS-SECTIONAL AREA (SQ. FT) | 2.7 | |
| FLAME PORT AREA (SQ. FT) | 2.8 | |
| MIXING BAFFLES AREA (SQ. FT) | 1.4 | |

1. TOTAL FLUE PRODUCTS

A. PRIMARY BURNER NATURAL GAS USAGE

$$1700000 \text{ BTU/HR} \times \frac{0.045 \text{ LBS/CF}}{1000 \text{ BTU/CF}} = 77 \text{ LBS/HR}$$

B. COMBUSTION AIR FOR PRIMARY BURNERS

(100 % Excess Air)

$$\frac{1700000 \text{ BTU/HR}}{100 \text{ BTU/SCF AIR}} \times 2 \times 0.075 \text{ LB/CF AIR} = 2550 \text{ LBS/HR}$$

$$= 566.7 \text{ SCFM}$$

C. SECONDARY BURNER NATURAL GAS USAGE

$$1000000 \text{ BTU/HR} \times \frac{0.045 \text{ LBS/CF}}{1000 \text{ BTU/CF}} = 45 \text{ LBS/HOUR}$$

D. COMBUSTION AIR FOR SECONDARY BURNER

(100 % Excess Air)

$$\frac{1000000 \text{ BTU/HR}}{100 \text{ BTU/SCF AIR}} \times 2 \times 0.075 \text{ LB/CF AIR} = 1500 \text{ LBS/HOUR}$$

$$= 333.3 \text{ SCFM}$$

E. PRODUCTS FROM TYPE 0 WASTE (CONTAINER)

$$0.95 \text{ LBS/LB BURNED} \times 1 \text{ LB/HR BURN RATE} = 1 \text{ LBS/HOUR}$$

F. PRODUCTS FROM TYPE 4 WASTE (TISSUE)

$$0.95 \text{ LBS/LB WASTE} \times 199 \text{ LB/HR BURN RATE} = 189 \text{ LBS/HOUR}$$

G. ADDITIONAL COMBUSTION AIR (THROAT & HEARTH AIR)

$$4500 \text{ SCF/HR} \times 0.075 \text{ LB/CF AIR} = 337.5 \text{ LBS/HOUR}$$

$$3000 \text{ SCF/HR} \times 0.075 \text{ LB/CF AIR} = 225 \text{ LBS/HOUR}$$

$$= 281 \text{ LBS/HR/CREMAT}$$

H. TOTAL FLUE PRODUCTS

$$= \underline{\underline{4643 \text{ LBS/HOUR}}}$$

2. VELOCITY AND TIME CALCULATIONS**A. SCFM CALCULATION**

(PRODUCTS ASSUMED TO HAVE DENSITY CLOSE TO AIR)

$$4643 \text{ LBS/HR} \times \frac{13.35 \text{ STD. CU. FT/LB}}{60 \text{ MIN/HR}} = 1033 \text{ SCFM}$$

B. TOTAL PRODUCTS ACFM @ 1800 °F

$$\frac{2260 \text{ °RANKINE}}{530 \text{ °RANKINE}} \times 1033 \text{ CFM} = 4405 \text{ ACFM}$$

C. RETENTION TIME

$$\frac{74 \text{ CU. FT}}{4405 \text{ ACFM}} \times \frac{60 \text{ SECONDS}}{1 \text{ MINUTE}} = 1.01 \text{ SECONDS}$$

D. VELOCITY IN FLAME PORT

$$\frac{4405 \text{ ACFM}}{2.8 \text{ SQ. FT}} \times \frac{1 \text{ MINUTE}}{60 \text{ SECONDS}} = 26.2 \text{ FEET/SECOND}$$

E. VELOCITY AT MIXING BAFFLES

$$\frac{4405 \text{ ACFM}}{1.4 \text{ SQ. FT}} \times \frac{1 \text{ MINUTE}}{60 \text{ SECONDS}} = 52.4 \text{ FEET/SECOND}$$

F. VELOCITY IN SECONDARY CHAMBER

$$\frac{4405 \text{ ACFM}}{2.7 \text{ SQ. FT}} \times \frac{1 \text{ MINUTE}}{60 \text{ SECONDS}} = 27.2 \text{ FEET/SECOND}$$

Air Emissions Testing

IE43-PPII, Power-Pak II Cremator

**Reflections Pet Funeral Home
Pinellas Park, Florida**

May 7, 2002

Testing Performed By:

Southern Environmental Sciences, Inc.

1.0 INTRODUCTION

Southern Environmental Sciences, Inc. conducted emissions testing of the Industrial Equipment & Engineering Company Model IE43-PPII, Power-Pak II cremator (serial number 0691201) on May 7, 2002. The unit is located at Reflections Pet Funeral Home in Pinellas Park, Florida (permit number 1030136-004-AC). Testing was conducted for the particulates, carbon monoxide, and visible emissions. Oxygen (O_2) concentrations were measured in order to correct results to 7% O_2 .

2.0 SUMMARY OF RESULTS

The equipment was found to be in compliance with all applicable emission limiting standards. Results of the particulate and carbon monoxide testing for runs 2, 3, and 4 are summarized in Table 1.

The average measured particulate emission concentration was 0.022 grains per dry standard cubic foot (corrected to 7% O_2).

The average measured carbon monoxide emission concentration was 2.5 parts per million by volume (corrected to 7% O_2).

A visible emissions evaluation was conducted over a 60-minute period. The maximum three minute average opacity was 0 percent.

The data for the first run, run 1, were not valid because of a problem with the pitot tube used in the sampling train. The field data sheets for run 1 are included in the appendix. The data were not analyzed.

EMISSIONS TEST SUMMARY

Company: REFLECTION PET FUNERAL HOME
 Source: IEE POWER-PAK II ANIMAL CREMATORY

| | Run 2 | Run 3 | Run 4 |
|---|--------|--------|--------|
| Date of Run | 5/7/02 | 5/7/02 | 5/7/02 |
| Start Time (24-hr. clock) | 1456 | 1628 | 1916 |
| End Time (24-hr. clock) | 1554 | 1742 | 2028 |
| Vol. Dry Gas Sampled Meter Cond. (DCF) | 31.172 | 47.554 | 50.327 |
| Gas Meter Calibration Factor | 1.000 | 1.000 | 1.000 |
| Barometric Pressure at Barom. (in. Hg.) | 30.15 | 30.09 | 30.08 |
| Elev. Diff. Manom. to Barom. (ft.) | 0 | 0 | 0 |
| Vol. Gas Sampled Std. Cond. (DSCF) | 30.172 | 45.527 | 48.276 |
| Vol. Liquid Collected Std. Cond. (SCF) | 2.801 | 5.587 | 6.177 |
| Moisture in Stack Gas (% Vol.) | 8.5 | 10.9 | 11.3 |
| Molecular Weight Dry Stack Gas | 29.62 | 29.36 | 29.40 |
| Molecular Weight Wet Stack Gas | 28.63 | 28.11 | 28.11 |
| Stack Gas Static Press. (in. H ₂ O gauge) | -0.02 | -0.01 | -0.01 |
| Stack Gas Static Press. (in. Hg. abs.) | 30.15 | 30.09 | 30.08 |
| Average Square Root Velocity Head | 0.167 | 0.196 | 0.199 |
| Average Orifice Differential (in. H ₂ O) | 0.814 | 1.213 | 1.290 |
| Average Gas Meter Temperature (Deg. F) | 90.8 | 96.3 | 95.1 |
| Average Stack Gas Temperature (Deg. F) | 1393.5 | 1291.1 | 1207.3 |
| Pitot Tube Coefficient | 0.84 | 0.84 | 0.84 |
| Stack Gas Vel. Stack Cond. (ft./sec.) | 17.56 | 20.27 | 20.05 |
| Effective Stack Area (sq. ft.) | 2.18 | 2.18 | 2.18 |
| Stack Gas Flow Rate Std. Cond. (DSCFM) | 604 | 717 | 741 |
| Stack Gas Flow Rate Stack Cond. (ACFM) | 2,298 | 2,654 | 2,625 |
| Net Time of Run (min.) | 60.0 | 72.0 | 72.0 |
| Nozzle Diameter (in.) | 0.601 | 0.601 | 0.601 |
| Percent Isokinetic | 92.3 | 97.7 | 100.3 |
| Oxygen (%) | 8.4 | 10.7 | 10.0 |
| Particulate Collected (mg.) | 31.0 | 56.6 | 56.5 |
| Particulate Emissions (lb./hr.) | 0.082 | 0.118 | 0.115 |
| Particulate Emissions (gr./DSCF) | 0.016 | 0.019 | 0.018 |
| Particulate Emissions (gr./DSCF @ 7% O ₂) | 0.018 | 0.026 | 0.023 |
| Avg. Particulate Emissions (gr./DSCF @ 7) | | 0.022 | |
| Allowable Part. Emissions (gr./DSCF @ 7%) | | 0.08 | |
| CO Emissions (ppm) | 4.1 | 1.0 | 1.2 |
| CO Emissions (ppm @ 7% O ₂) | 4.6 | 1.4 | 1.6 |
| Avg. CO Emissions (ppm @ 7% O ₂) | | 2.5 | |
| Allowable CO Emissions (ppm @ 7% O ₂) | | 100 | |

Note: Standard conditions 68° F, 29.92 in. Hg

Airs ID # 0210113-001

Dibble, Dickson

From: mfuller59@aol.com
Sent: Wednesday, March 12, 2008 9:01 AM
To: Dibble, Dickson
Subject: fuller Pet Fun Home Southeastern Crematory

March 13, 2008

This is to notify you the crematory which had been at 4424 Tamiami Trail East, Naples, FL 34112 was closed and removed from the premises. It had operated as Southeastern Crematory. I had purchased the Funeral Home and the crematory from SCI (Service Corporation International) Nov. 2005. I have never operated it as a crematory from the date of purchase.

Michael S. Fuller
cell 239-571-5451

Supercharge your AIM. Get the [AIM toolbar](#) for your browser.

FORMERLY HUMAN
CREMATORY SITE / FACILITY
0210017-003. HC REMOVED.



Department of
Environmental Protection

FILE

Jeb Bush
Governor

South District
P.O. Box 2549
Fort Myers, Florida 33902-2549

Colleen M. Castille
Secretary

November 8, 2005

Mr. Michael J. Fuller, President
Fuller Funeral Home
1625 Pine Ridge Road
Naples, Florida 34109

Re: Collier County - AG
Fuller-Miller Funeral Service d/b/a Johnson-Pittman Funeral Home
Southeastern Crematory

Location: 4424 Tamiami Trail E.
Naples, FL. 34112

Notification of Use of General Permit
Permit No. 0210017-003-AG
Effective Date: December 4, 2005
Expiration Date: December 4, 2010

Dear Mr. Fuller:

This letter is to advise you that the Department has received your Air General Permit Notification Form as established under Rule 62-210.300(4)(c)3., Florida Administrative Code for human crematories. A human crematory may use this air general permit provided the facility meets the eligibility criteria set forth in the rule and, throughout the term of the general permit, complies with the terms and conditions of the general permit.

Please be advised that you are required to abide by all conditions and restrictions set forth in Rule 62-4.540, F.A.C., and certain other requirements set forth in the air pollution control rules of the Department are "general permit conditions" and are binding upon the owner or operator of the facility utilizing the human crematory air general permit.

Your Air General Permit will be effective on **December 4, 2005** and will expire on **December 4, 2010**; therefore visible emissions testing shall be performed annually between **September 4th**, and **November 4th**.

Sincerely,

Ronald D. Blackburn
District Air Program Administrator

RDB/RDB/rb.

"More Protection, Less Process"

Printed on recycled paper.

ARM Update



Michael S. Fuller
President

October 31, 2005

Department of Environmental Protection
South District
P.O. Box 2549
Fort Myers, FL 33902

To Whom It May Concern:

I will be purchasing a facility that operates under Dignity Crematory/Southeastern Crematory, located at 4424 Tamiami Trail East, Naples, FL 34112.

Enclosed please find the application to transfer the General Air Permit to Fuller-Miller Funeral Services, Inc., d/b/a Johnson-Pittman Funeral Home. The crematory will run under Southeastern Crematory.

Also enclosed is the latest stack test and a check in the amount of \$100. I can be reached at Fuller Funeral Home, 1625 Pine Ridge Road, Naples, FL 34109 or telephone 239-592-1611.

Thank you,

A handwritten signature in cursive script that reads "Michael S. Fuller". The signature is written in black ink and is positioned above the printed name and title. A large, circular, empty space is drawn below the signature, likely for a stamp or seal.

Michael S. Fuller
President



NOV 1 2005
DEPT. OF ENVIRONMENTAL PROTECTION
SOUTH DISTRICT

1625 PINE RIDGE ROAD • NAPLES, FLORIDA 34109 • (239) 592-1611

HUMAN CREMATORY
AIR GENERAL PERMIT NOTIFICATION FORM

Part III. Notification of Intent to Use General Permit

(Submit this Part to the appropriate permitting office and keep copy of completed form onsite. Instructions follow.)

Instructions to Owner or Operator: To give notice to the Department of an eligible facility's intent to use the human crematory air general permit, the owner or operator of the facility must detach and complete Part III of this Human Crematory Air General Permit Notification Form and submit it to the appropriate Department of Environmental Protection district office or local air pollution control program office which has been delegated permitting authority. Please type or print clearly all information and enclose the appropriate general permit processing fee pursuant to Rule 62-4.050(4)(o), F.A.C. Please note, the form will not be considered complete unless: 1) the processing fee is attached; and 2) appropriate emissions testing was conducted within 60 days of submitting the form and the test results have already been submitted to the appropriate permitting authority or accompany the form. Also, please refer to the instructions for completing Part III of the notification form at the end of the form.

General Facility Information

| | | | |
|---|------------------------|------------------------|--|
| Facility Owner/Company Name (Name of corporation, agency, or individual owner): Fuller-Miller Funeral Service d/b/a Johnson-Pittman | | | |
| Site Name (For example, plant name or number): Southeastern Crematory | | Funeral Home | |
| Facility Location: Street Address: 4424 Tamiami Trail E. | | | |
| City: Naples | County: Collier | Zip Code: 34112 | |
| Facility Start-Up Date: Nov 10, 2005 | | | |

Notification Type

| |
|---|
| Check one: |
| <input type="checkbox"/> NEW FACILITY WITH AIR CONSTRUCTION PERMIT: Provide the air construction permit number: _____ |
| <input type="checkbox"/> EXISTING FACILITY WITH AIR OPERATION PERMIT: Provide the air operation permit number: _____ |
| <input checked="" type="checkbox"/> EXISTING FACILITY WITH AIR GENERAL PERMIT |

Owner/Authorized Representative

| | | | |
|--|------------------------|------------------------|--|
| Name and Title: MICHAEL S. Fuller - President | | | |
| Owner/Authorized Representative Mailing Address: Organization/Firm: Fuller Funeral Home | | | |
| Street Address: 1625 Pine Ridge Road | | | |
| City: Naples FL | County: Collier | Zip Code: 34109 | |
| Owner/Authorized Representative Telephone Number: Telephone: (239) 592-1611 Fax: (239) 592-1619 | | | |

Facility Contact (If different from Owner/Authorized Representative)

| | | |
|------------------------------------|------------|-----------|
| Name and Title: | | |
| Facility Contact Mailing Address: | | |
| Organization/Firm: | | |
| Street Address: | | |
| City: | County: | Zip Code: |
| Facility Contact Telephone Number: | | |
| Telephone: () - | Fax: () - | |

Facility Comments

Process Description:

Power Pk II

operates - 7 days a week.

Surrender of Existing Air Permit(s) except Air General Permits (do not complete for renewal notifications)

Check one:

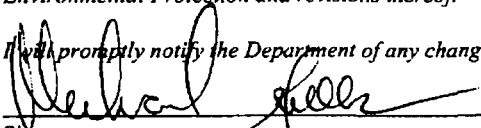
I hereby surrender all existing air permits authorizing operation of the facility indicated on this form; specifically permit number(s) _____.

No air permits currently exist for the operation of the facility indicated on this form.

Owner/Authorized Representative Statement

I, the undersigned, am the owner or authorized representative of the owner or operator of the facility addressed in this Air General Permit Notification Form. I hereby certify, based on information and belief formed after reasonable inquiry, that the statements made in this notification are true, accurate and complete. Further, I agree to operate and maintain the facility and any air pollution control equipment described in this notification so as to comply with all applicable standards and requirements for control of air pollutant emissions found in the statutes of the State of Florida and rules of the Department of Environmental Protection and revisions thereof.

I will promptly notify the Department of any changes to the information contained in this notification.


Signature

10/30/05
Date

**Florida Department of Environmental Protection
Cash Receiving Application (CRA)
Cashlisting by Deposit #: 281497 thru 281497
Printed: 3/5/2008 3:49:47 PM - Page 16**

Cashlisting: **67088** Cashlist Area: **3755** Description: **DIV OF AIR RESOURCES MGMT.**
 Deposit No: **281497** Date Deposited: **03/05/2008** Contact: **E. WALKER**

| Object | Transmittal | Dep.DDN | Receipt Number | Pre- Numbered Receipt | Name | Check Number | Payment Amount | Reference Account | Payment Number | Remittance Number | Fund |
|------------------------------|-------------|---------|-------------------|-----------------------------|--------------------------------|-----------------|-------------------|------------------------------|-------------------|----------------------|-------|
| 002272 | 47286 | | 617973 | | FULLER FUNERAL HOME-CREMATI | 24143 | \$100.00 | 0210113-001 3/12/2008-A.C | 864495 | 768019 | PFTF |
| Object Code 002272 Subtotal: | | | | | | | \$100.00 | | | | |
| 002275 | 47276 | 481217 | 617886 | | C & C MARBLE, INC. | 4145 | \$1,875.00 | 0112156 | 864433 | 767928 | APCTF |
| | 47276 | 481221 | 617890 | | VENTURE MARINE, INC. | 3006 | \$250.00 | 0990603 | 864437 | 767932 | APCTF |
| | 47276 | 481225 | 617897 | | GLOBEX ENGINEERING & DEVELOPME | 16537 | \$1,375.00 | 112094 | 864444 | 767939 | APCTF |
| | 47276 | 481231 | 617903 | | JONES EDMUNDS | 012468 | \$250.00 | 0830124 | 864456 | 767945 | APCTF |
| | 47276 | 481233 | 617905 | | HONEYWELL INTERNATIONAL | 19377 | \$2,001.00 | 0310099 | 864458 | 767947 | APCTF |
| Object Code 002275 Subtotal: | | | | | | | \$5,751.00 | | | | |
| Cashlisting 67088 Total: | | | | | | | \$5,851.00 | | | | |

Inv Number Date Inv Amount Comment
 228 02/28/2008 100.00
 Vendor Code:DEP Check Date: 02/28/2008 Amount \$

Payment Disc Tkn
 0.00 0.00
 100.00 Chk# 24143

RECEIVED
 FEB 29 2008

Bureau of Air Mail
 & Mobile Services

UPS Next Day Air®
UPS Worldwide ExpressSM
 Shipping Document

| | | | | |
|--------|--------|--------------------|--------------------------|--------------------------|
| WEIGHT | WEIGHT | DIMENSIONAL WEIGHT | LARGE AIR PACKAGE | SHIPPER RELEASE |
| | LTZ | | <input type="checkbox"/> | <input type="checkbox"/> |

- EXPRESS (INT'L)
 DOCUMENTS ONLY

The shipper authorizes UPS to act as forwarding agent for export control and Customs purposes.
 If a shipper enters data that is deemed to be a violation of software were exported from the United States in accordance with the Export Administration Regulations, Diversion contrary to U.S. law is prohibited.

SATURDAY DELIVERY

SHIPMENT FROM
 UPS ACCOUNT NO. **F5A431**
 REFERENCE NUMBER

TELEPHONE
 Michael Fuller
 FULLER FUNERAL HOME
 1625 PINE RIDGE RD.

NAPLES FL 34109-2127

UPS Next Day Air[®] **1**

DELIVERY TO
 TELEPHONE
 1800 BLAIRSTONE RD
 ALLAHASSEE FL 32399-6542
 Dibble 350-921-9569
 EP Permit System - BAAMS, 81853K
 airstown Road
 ssee, FL 32399-2400

SHIPMENT ID NUMBER **F5A4 317B 3Y8**

3/29/08

11278
 045107_P1
 2 ZES443
 BLAR-1077
 BROWN S:OUT
 32399-6542

DELIVERY

Flat Rate
Mailing Envelope
For Domestic and International Use
Visit us at usps.com

MS STOW



www.usps.com

From

Michael S. Fuller
1625 Pine Ridge Road
Naples, FL 34109

TO

FDEP Receipts
P. O. Box 3070
Tallahassee, FL 32315-3070

*Check
Enclosed*

*CK REC'D
DARM/BAMM
3/3/08
RD*

Label 228, February 2006

*3/4/08 -
SENT TO
ANN SULLIVAN
3/4/08
RD*



Cradle to Cradle Certification is awarded to products that pursue an innovative vision of ecologically-intelligent design that eliminates the concept of waste. This USPS® packaging has been certified for its material content, recyclability, and manufacturing characteristics.

Please recycle.

