

RECEIVED

MAY 15 2008

**CONCRETE BATCHING PLANT  
AIR GENERAL PERMIT REGISTRATION FORM**

Bureau of Air Monitoring  
& Mobile Sources

**Part II. Notification to Permitting Office**

(Detach and submit to appropriate permitting office; keep copy onsite)

**Instructions:** To give notice to the Department of an eligible facility's intent to use this air general permit, the owner or operator of the facility must detach and complete this part of the Air General Permit Registration Form and submit it to the appropriate Department of Environmental Protection or local air pollution control program office which has permitting authority. Please type or print clearly all information, and enclose the appropriate air general permit registration processing fee pursuant to Rule 62-4.050, F.A.C. (\$100 as of the effective date of this form)

**0550008-004**

**Registration Type**

Check one:

**INITIAL REGISTRATION** - Notification of intent to:

- Construct and operate a proposed new facility.  
 Operate an existing facility not currently using an air general permit (e.g., a facility proposing to go from an air operation permit to an air general permit).

**RE-REGISTRATION** (for facilities currently using an air general permit) - Notification of intent to:

- Continue operating the facility after expiration of the current term of air general permit use.  
 Continue operating the facility after a change of ownership.  
 Make an equipment change requiring re-registration pursuant to Rule 62-210.310(2)(e), F.A.C., or any other change not considered an administrative correction under Rule 62-210.310(2)(d), F.A.C.

**Surrender of Existing Air Operation Permit(s) - For Initial Registrations Only**

If the facility currently holds one or more air operation permits, such permit(s) must be surrendered by the owner or operator upon the effective date of this air general permit. In such case, check the first box, and indicate the operation permits being surrendered. If no air operation permits are held by the facility, check the second box.

- All existing air operation permits for this facility are hereby surrendered upon the effective date of this air general permit; specifically permit number(s):  
0550008-003-AG  
 No air operation permits currently exist for this facility.

**General Facility Information**

**Facility Owner/Company Name** (Name of corporation, agency, or individual owner who or which owns, leases, operates, controls, or supervises the facility.)

Frederic W Jahna, Jr. / Jahna Concrete, Inc.

**Site Name** (Name, if any, of the facility site; e.g., Plant A, Metropolis Plant, etc. If more than one facility is owned, a registration form must be completed for each.)

LAKE PLACID

**Facility Location** (Provide the physical location of the facility, not necessarily the mailing address.)

Street Address: 160 CR 29

City: LAKE PLACID

County: HIGHLANDS

Zip Code: 33862

**Facility Start-Up Date** (Estimated start-up date of proposed new facility.)(N/A for existing facility)

10/21/98

**Owner/Authorized Representative**

Name and Position Title (Person who, by signing this form below, certifies that the facility is eligible to use this air general permit.)

Print Name and Title: **Frederic W. Jahna, Jr. President**

Owner/Authorized Representative Mailing Address

Organization/Firm: **Jahna Concrete, Inc**

Street Address: **104 S Railroad Ave.**

City: **Avon Park**

County: **Highlands**

Zip Code: **33825**

Owner/Authorized Representative Telephone Numbers

Telephone: **863 453-4353**

Fax: **863 453-5156**

Cell phone (optional): **863 449-1469**

**Facility Contact (If different from Owner/Authorized Representative)**

Name and Position Title (Plant manager or person to be contacted regarding day-to-day operations at the facility.)

Print Name and Title: **Noel Jahna**

Facility Contact Mailing Address

Organization/Firm: **Jahna Concrete, Inc**

Street Address: **104 S Railroad Ave.**

City: **Avon Park**

County: **Highland**

Zip Code: **33825**

Facility Contact Telephone Numbers

Telephone: **863 465-4541**

Fax: **863 453-5156**

Cell phone (optional):

**Owner/Authorized Representative Statement**

This statement must be signed and dated by the person named above as owner or authorized representative

*I, the undersigned, am the owner or authorized representative of the owner or operator of the facility addressed in this Air General Permit Registration Form. I hereby certify, based on information and belief formed after reasonable inquiry, that the facility addressed in this registration form is eligible for use of this air general permit and that the statements made in this registration form are true, accurate and complete. Further, I agree to operate and maintain the facility described in this registration form so as to comply with all applicable standards for control of air pollutant emissions found in the statutes of the State of Florida and rules of the Department of Environmental Protection and revisions thereof.*

*I will promptly notify the Department of any changes to the information contained in this registration form.*

Frederic W. Jahna Jr  
Signature

5/7/08  
Date

**Type of Facility**

Check one:

Stationary Facility

Relocatable Facility

**Type(s) of Reasonable Precautions Used to Prevent Unconfined Emissions**

Check all precautions to be used for the management of roads, parking areas, stock piles and yards:

Pave Roads

Pave Parking Areas

Pave Yards

Maintain Roads/Parking/Yards

Use Water Application

Use Dust Suppressant

Remove Particulate Matter

Reduce Stock Pile Height

Install Wind Breaks

Check all precautions to be used for the management of drop points to trucks:

Spray Bar

Chute

Enclosure

Partial enclosure

**Description of Reasonable Precautions**

Below, or as an attachment to this form, provide details of all types of reasonable precautions to be used to prevent unconfined emissions at the facility.

Cement silo have level sensor to prevent overfilling of silos. Sensor will activate when cement is close to maximum capacity with a flashing light and horn. After sensor of high level is activated the operator unloading cement has 2 minutes to shut down system. If the operator fails to shut down system automatically the shut down (Pinch valve) is activated to stop flow of cement. This prevent the Bag house to fill with cement and overflowing.

**Description of Facility**

Below, or as an attachment to this form, provide a description of the concrete batching plant operations at the facility in sufficient detail to demonstrate the facility's eligibility for use of this air general permit and to provide a basis for tracking any future equipment or process changes at the facility. Describe all air pollutant-emitting processes and equipment at the facility, and identify any air pollution control measures or equipment used.

Cement Silo & dust collector, APPCO Model 1640 ( See Attached)

Weight Batcher dust collector, Columbia (see Attached) Stephens Model SV-20 using same weight Batcher with Screw from Silo.

.Overfill Protection System on Cement Silo and Slag Silo (See Attached)

Ne. Placid

# Arlington Environmental Services, Inc.

(863) 467-0555

## VISIBLE EMISSION TEST

Method Used (Circle One) 203A 203B Report 2202-V-3

Company Name Jahna Concrete

Facility Name Lake Placid R/M AIRS 0550008

Street Address 160 CR 29

City Lake Placid Zip \_\_\_\_\_

Phone No. (863) 465-2711

Process unload slag Unit # \_\_\_\_\_ Operating Mode \_\_\_\_\_

Control Equipment Baghouse Operating Mode 10 psi/g

Describe Emission Point BH on north silo

Ht of Emis. Point ~55' Ht Rel to Observer ~50'

Distance to Emis. Pt. ~130' Direction to Emis. Pt (Degrees) 330°

Vertical Angle to Obs. 20° Direction to Obs. Pt. (Degrees) —

Distance and Direction to Obs. Pt from Emission Pt —

Describe Emissions None

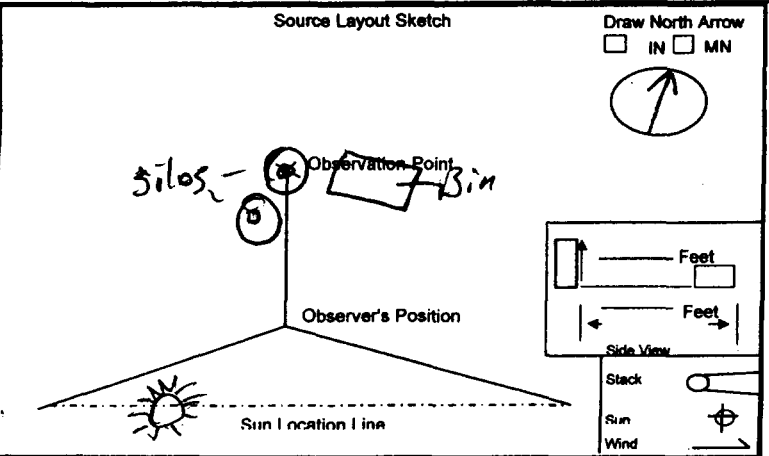
Emission Color None Water Droplet Plume Attached Detached None

Describe Plume Background sky

Background Color blue Sky Conditions scattered

Wind Speed ~5-15 mph Wind Direction SE

Ambient Temp. 80° Wet Bulb Temp. — % RH —



Latitude \_\_\_\_\_ Longitude \_\_\_\_\_ Declination \_\_\_\_\_

Comments 27.39 tons of slag  
3 pads / 1 hr

Sec	05/1/08				Start Time 1:40 P.M.				Stop Time 2:38 P.M.			
	0	15	30	45	0	15	30	45	0	15	30	45
1	0	0	0	0	31	0	0	0	0			
2	0	0	0	0	32	0	0	0	0			
3	0	0	0	0	33	0	0	0	0			
4	0	0	0	0	34	0	0	0	0			
5	0	0	0	0	35	0	0	0	0			
6	0	0	0	0	36	0	0	0	0			
7	0	0	0	0	37	0	0	0	0			
8	0	0	0	0	38	0	0	0	0			
9	0	0	0	0	39	0	0	0	0			
10	0	0	0	0	40	0	0	0	0			
11	0	0	0	0	41	0	0	0	0			
12	0	0	0	0	42	0	0	0	0			
13	0	0	0	0	43	0	0	0	0			
14	0	0	0	0	44	0	0	0	0			
15	0	0	0	0	45	0	0	0	0			
16	0	0	0	0	46	0	0	0	0			
17	0	0	0	0	47	0	0	0	0			
18	0	0	0	0	48	0	0	0	0			
19	0	0	0	0	49	0	0	0	0			
20	0	0	0	0	50	0	0	0	0			
21	0	0	0	0	51	0	0	0	0			
22	0	0	0	0	52	0	0	0	0			
23	0	0	0	0	53	0	0	0	0			
24	0	0	0	0	54	0	0	0	0			
25	0	0	0	0	55	0	0	0	0			
26	0	0	0	0	56	0	0	0	0			
27	0	0	0	0	57	0	0	0	0			
28	0	0	0	0	58	0	0	0	0			
29	0	0	0	0	59	0	0	0	0			
30	0	0	0	0	60	finished						

Number of Readings Above \_\_\_\_\_ % were \_\_\_\_\_

Average Opacity for Highest 6 Min Period 0%

Range of opacity Readings Min 0% Max 0% Average Opacity for 2nd Highest 6 Min —

Observers Name (Print) Ryan Peterson

Observers Signature Ryan Peterson Date 5/1/08

Organization Arlington Environmental Services, Inc.

Certified By ETA Date 2/13/08

**Arlington Environmental Services, Inc.**  
(863) 467-0555

**VISIBLE EMISSION TEST**

Method Used (Circle One) 203A 203B Report 2202-V-2

Company Name Jahna Concrete

Facility Name Lake Placid R/M AIRS 0550008

Street Address 160 CR 29

City Lake Placid Zip \_\_\_\_\_

Phone No. (863) 465-2711

Process unload cement Unit # \_\_\_\_\_ Operating Mode ~ 27 tph

Control Equipment Baghouse Operating Mode 10psi/g

Describe Emission Point Bin on south silo

Ht of Emis. Point ~ 55' Ht Rel to Observer ~ 50'

Distance to Emis. Pt. ~ 130' Direction to Emis. Pt (Degrees) 330°

Verticle Angle to Obs. 20° Direction to Obs. Pt. (Degrees) —

Distance and Direction to Obs. Pt from Emission Pt —

Describe Emissions None

Emission Color None Water Droplet Plume None

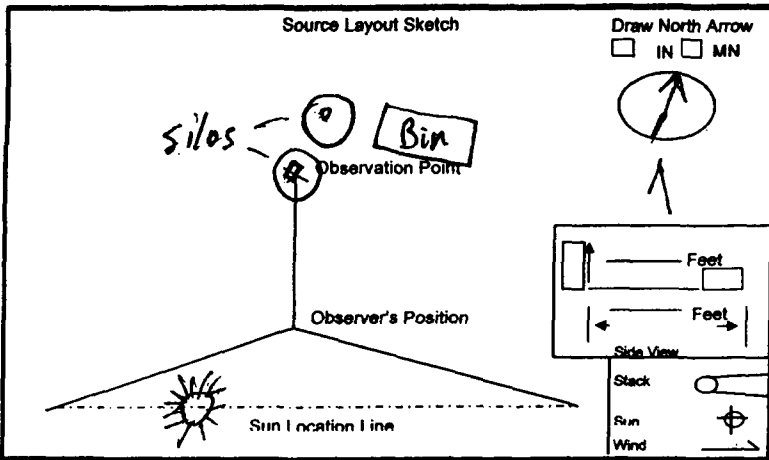
Attached Detached \_\_\_\_\_

Describe Plume Background sky

Background Color blue Sky Conditions scattered

Wind Speed ~ 5-15 mph Wind Direction SE

Ambient Temp. 80° Wet Bulb Temp. — % RH —



Latitude \_\_\_\_\_ Longitude \_\_\_\_\_ Declination \_\_\_\_\_

Comments 26.92 tons of cement  
3 pods/hr

Observation Date <u>5/1/08</u>					Start Time <u>1:40 p.m.</u>					Stop Time <u>2:39 p.m.</u>				
Min	0	15	30	45	Min	0	15	30	45	Min	0	15	30	45
1	0	0	0	0	31	0	0	0	0					
2	0	0	0	0	32	0	0	0	0					
3	0	0	0	0	33	0	0	0	0					
4	0	0	0	0	34	0	0	0	0					
5	0	0	0	0	35	0	0	0	0					
6	0	0	0	0	36	0	0	0	0					
7	0	0	0	0	37	0	0	0	0					
8	0	0	0	0	38	0	0	0	0					
9	0	0	0	0	39	0	0	0	0					
10	0	0	0	0	40	0	0	0	0					
11	0	0	0	0	41	0	0	0	0					
12	0	0	0	0	42	0	0	0	0					
13	0	0	0	0	43	0	0	0	0					
14	0	0	0	0	44	0	0	0	0					
15	0	0	0	0	45	0	0	0	0					
16	0	0	0	0	46	0	0	0	0					
17	0	0	0	0	47	0	0	0	0					
18	0	0	0	0	48	0	0	0	0					
19	0	0	0	0	49	0	0	0	0					
20	0	0	0	0	50	0	0	0	0					
21	0	0	0	0	51	0	0	0	0					
22	0	0	0	0	52	0	0	0	0					
23	0	0	0	0	53	0	0	0	0					
24	0	0	0	0	54	0	0	0	0					
25	0	0	0	0	55	0	0	0	0					
26	0	0	0	0	56	0	0	0	0					
27	0	0	0	0	57	0	0	0	0					
28	0	0	0	0	58	0	0	0	0					
29	0	0	0	0	59	0	0	0	0					
30	0	0	0	0	60	finished								

Number of Readings Above \_\_\_\_\_ % were 0 Average Opacity for Highest 6 Min Period 0%

Range of opacity Readings Min 0% Max 0% Average Opacity for 2nd Highest 6 Min —

Observers Name (Print) Ryan Peterson

Observers Signature Ryan Peterson Date 5/1/08

Organization Arlington Environmental Services, Inc.

Certified By ETA Date 2/13/08

# Arlington Environmental Services, Inc.

(863) 467-0555

## VISIBLE EMISSION TEST

Method Used (Circle One) 203A 203B Report 2202-V-1

Company Name Jahna Concrete

Facility Name Lake Placid R/M AIRS 0550008

Street Address 160 CR 29

City Lake Placid Zip \_\_\_\_\_

Phone No. (863) 465-2711

Process Mixer batching Unit # \_\_\_\_\_ Operating Mode normal

Control Equipment w/h bh Operating Mode normal

Describe Emission Point w/h BH on side of silo cone

Ht of Emis. Point ~20' Ht Rel to Observer ~15'

Distance to Emis. Pt. ~40' Direction to Emis. Pt. (Degrees) 050°

Verticle Angle to Obs. 19° Direction to Obs. Pt. (Degrees) -

Distance and Direction to Obs. Pt from Emission Pt -

Describe Emissions none

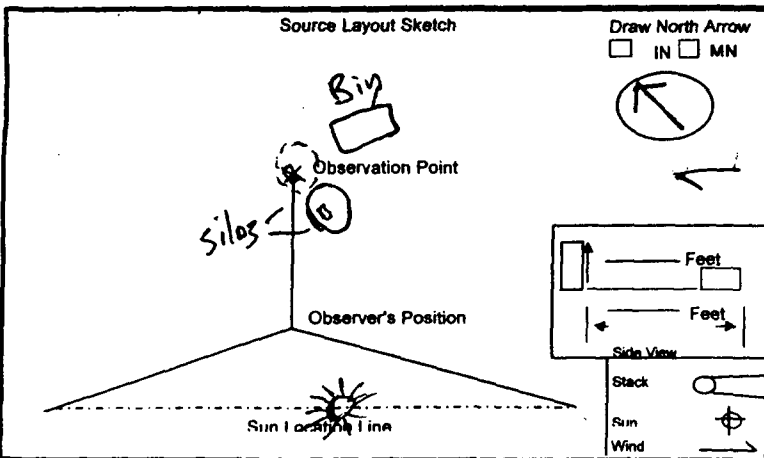
Emission Color none Water Droplet Plume Attached Detached None

Describe Plume Background sky

Background Color blue Sky Conditions scattered

Wind Speed ~5-15 mph Wind Direction SE

Ambient Temp. 80° Wet Bulb Temp. - % RH -



Observation Date					Start Time					Stop Time				
5/1/08					1:20 P.M.					1:26 P.M.				
Min	0	15	30	45	Min	0	15	30	45	Min	0	15	30	45
1	0	0	0	0	31									
2	0	0	0	0	32									
3	0	0	0	0	33									
4	0	0	0	0	34									
5	0	0	0	0	35									
6	0	0	0	0	36									
7	finished				37									
8					38									
9					39									
10					40									
11					41									
12					42									
13					43									
14					44									
15					45									
16					46									
17					47									
18					48									
19					49									
20					50									
21					51									
22					52									
23					53									
24					54									
25					55									
26					56									
27					57									
28					58									
29					59									
30					60									

Number of Readings Above \_\_\_\_\_ % were \_\_\_\_\_

Range of opacity Readings Min 0% Max 0%

Average Opacity for Highest 6 Min Period 0%

Average Opacity for 2nd Highest 6 Min -

Observers Name (Print) Ryan Peterson

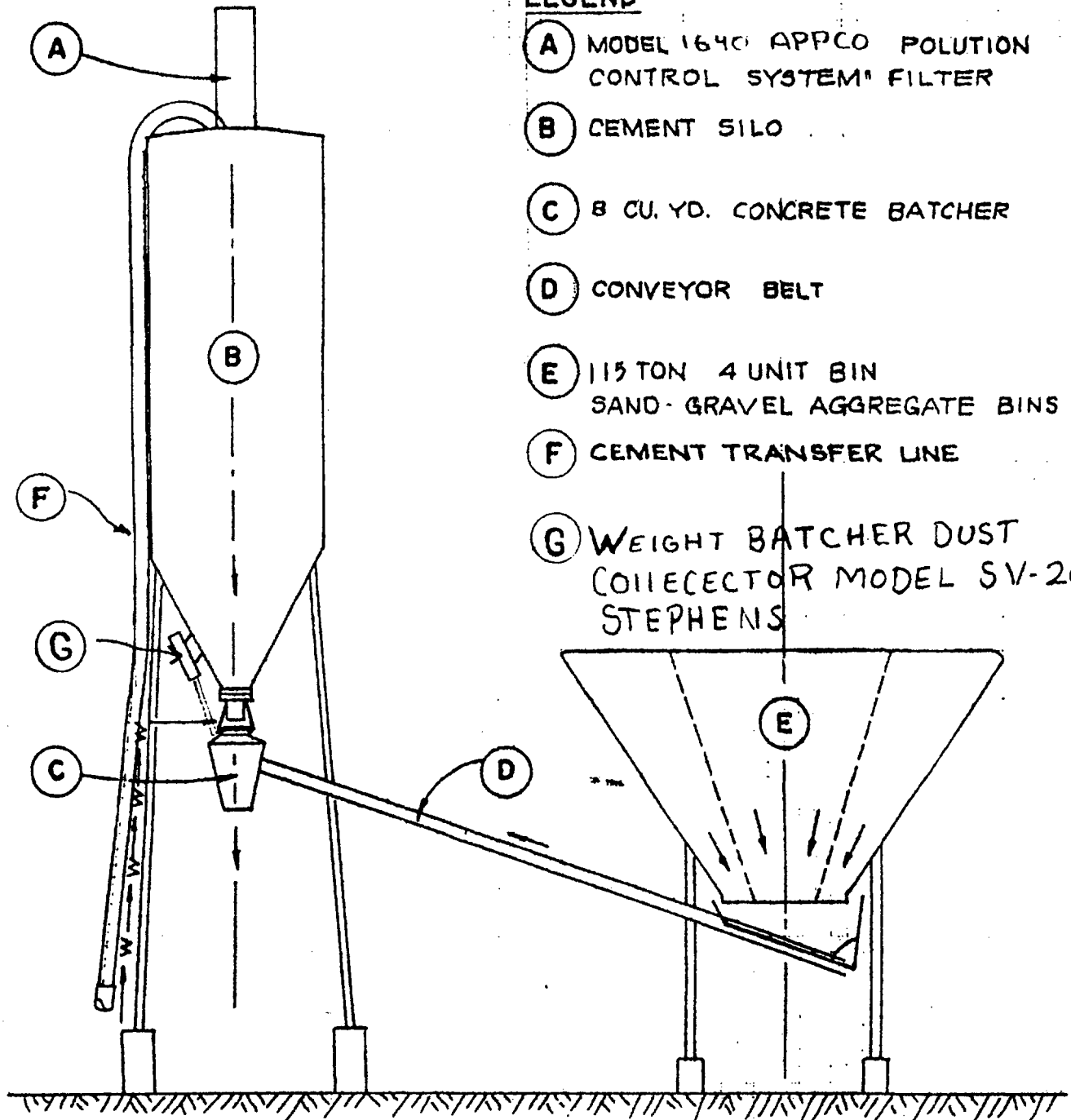
Observers Signature Ryan Peterson Date 5/1/08

Organization Arlington Environmental Services, Inc.

Certified By ETA Date 2/13/08

Latitude \_\_\_\_\_ Longitude \_\_\_\_\_ Declination \_\_\_\_\_

Comments observed / mixer batching



**LEGEND**

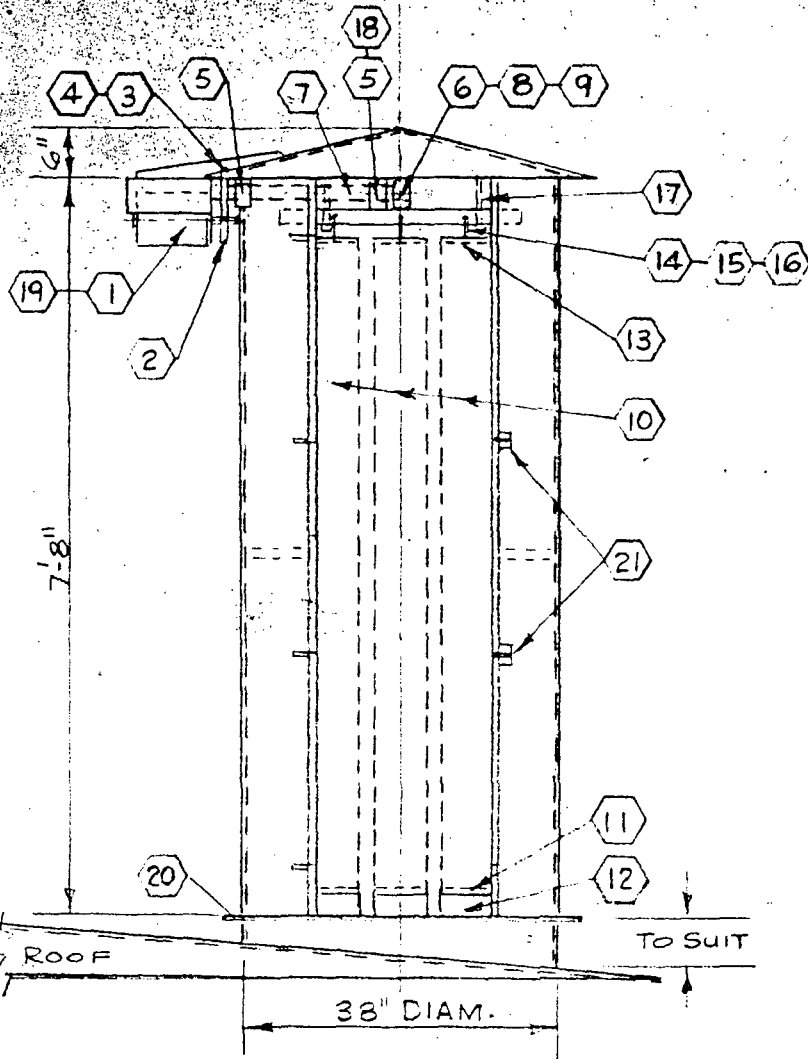
- (A) MODEL 1640 APPCO POLLUTION CONTROL SYSTEM FILTER
- (B) CEMENT SILO
- (C) 8 CU. YD. CONCRETE BATCHER
- (D) CONVEYOR BELT
- (E) 115 TON 4 UNIT BIN SAND- GRAVEL AGGREGATE BINS
- (F) CEMENT TRANSFER LINE
- (G) WEIGHT BATCHER DUST COLLECTOR MODEL SV-20 STEPHENS

**FLOW DIAGRAM**

SCALE: 1" = 10'



## APPCO MODEL 1640 DUST COLLECTOR PARTS LIST



ITEM NO	QUAN.	DESCRIPTION
1	1	1/4 H.P. 1725 RPM ELECTRIC MOTOR FR. SGN
2	1	AK 30-1/2" BORE SHEAVE
3	1	AK 64H SHEAVE W/H-1 1/4" BUSHING
4	1	A40 VEE BELT
5	2	FAFNER PSDS-1/4 P. B. BRGS
6	1	SEHB-15-5/16" BORE SEALMASTER ECCENTRIC DRIVE BRG.
7	1	ECCENTRIC DRIVE SHAFT
8	1	ECCENTRIC ARM
9	1	" " " PIN
10	16	6 7/8" DIAM. x 82" LONG BAG
11	16	6 1/2" " CLAMPS IDEAL SIZE 104
12	16	6 1/2" O.D. 26/28 GA. SLEEVE x 4 1/2"
13	16	1/4" THICK x 6 1/2" DIAM PRESS BOARD WASHER
14	16	No 4- S3-1/4 x 3" EYE BOLT
15	32	1/4" FENDER WASHERS
16	32	1/4" STOVER GRB LOCK NUTS COARSE THD.
17	4	1/2" x 6 1/2" N.C. MACH BOLTS W/2 NUTS.
18	4	1/2" x 1 1/2" " " " " W/LOCK WASHERS
19	2	5/16" x 1 3/4" " " " " " "
20	24	1/2" x 1" " " " " " "
21	2	No. 2709-6B YOKE END W/ 1/2" WING NUT

	AGGREGATE PLANT <i>Products Co.</i>	JOB NO.
	MANUFACTURERS OF MATERIAL - HANDLING EQUIPMENT	DRAWING NO.
EDISON 3-1111 • P.O. BOX 1198 • LOOP 13, 1/4 MILE NORTH OF HIGHWAY 90 EAST • SAN ANTONIO, TEXAS		

BESSER Appco Division, we understand that dust collection systems are a key element of concrete batch plants. That's why our dust collectors not only address the environmental issues of dust emissions, but also offer systems that will reclaim the collected dust for economic purposes.



**DESIGNED FOR:**

The Model DCS-260 is designed for the ready mix plants, factories, processing plants and most types of industrial areas requiring dust control.

**FEATURES:**

Compact, complete and ready to install, a heavy duty fourteen gauge enclosure is primed and enameled to assure maximum protection. A ten inch high mounting base is standard, permitting easy installation.

**BAG DESCRIPTION:**

The DCS-260 is equipped with forty-two (42) 4 1/2 inch x 67 inch spun polyester snap-in collection bags providing 260 square feet of filter area.

**FILTERING VELOCITY:**

2.12 FPM

**FILTERING EFFICIENCY:**

99.9% Minimum

**FLOW RATE:**

550 CFM from bulk truck.

**BAG CLEANING METHOD:**

The bag shaker is powered by a heavy duty 1/3 horse- power 120V-60 Hz, 1800 RPM electric shaker motor with V-Belt Drive to Eccentric shaft.

**OPTIONS:**

- Five Minute Timer
- Five (5) Horse Power Blower Package

**NOTE:**

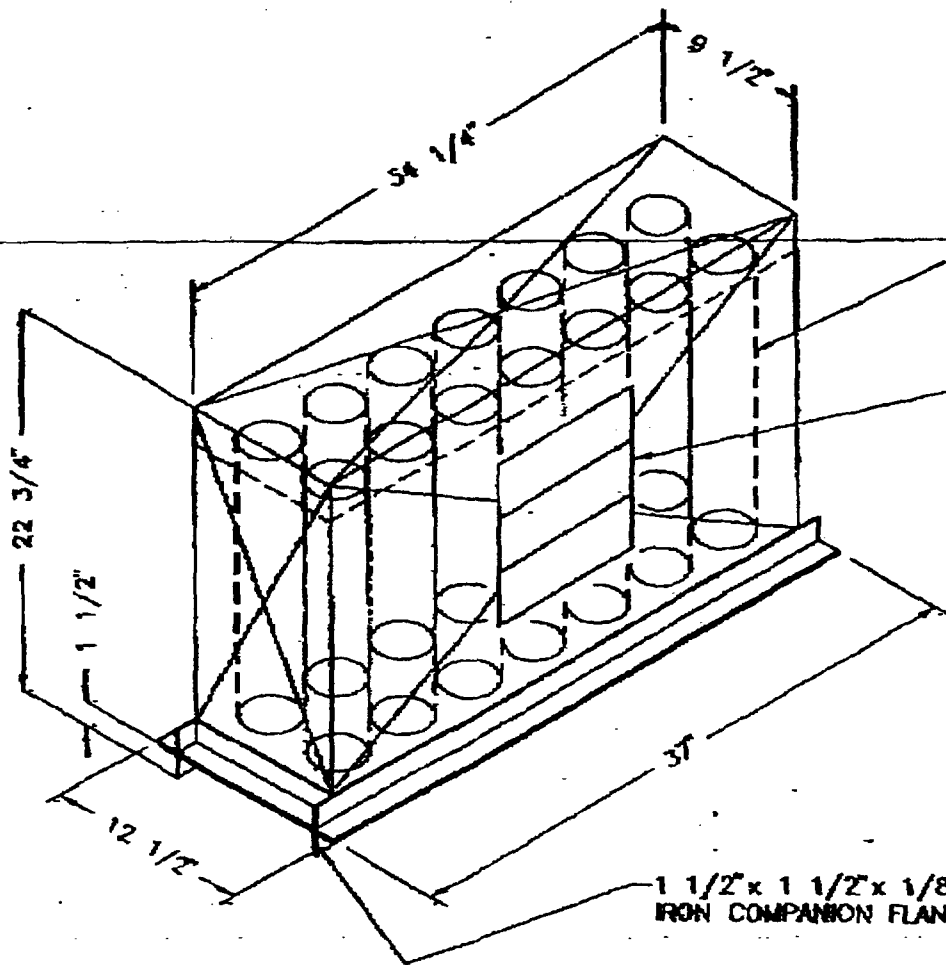
The above data represents performance which can be expected from BESSER Appco Division Dust Collection Equipment. Continued performance at design levels is achieved through comprehensive maintenance programs.

**EQUIPMENT DIMENSIONS:**

Weight	625 #
Height	2'-7"
Depth	3'-0"
Width	7'-8"

**BESSER Appco Division**

1193 San Antonio, TX 78294 (210)333-1111



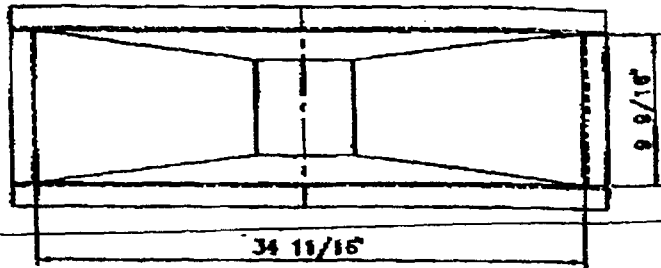
(14)  $\frac{1}{2}$ " DIAMETER x 16" LONG  
 FILTER BAGS FASTEN TO TOP  
 AND BOTTOM RINGS WITH  
 BAG CLAMPS.

10" x 10" AIR ESCAPE VENT

1 1/2" x 1 1/2" x 1/8" ANGLE  
 IRON COMPANION FLANGE

MODEL SV-20 WEIGH BATCHER FILTER VENT

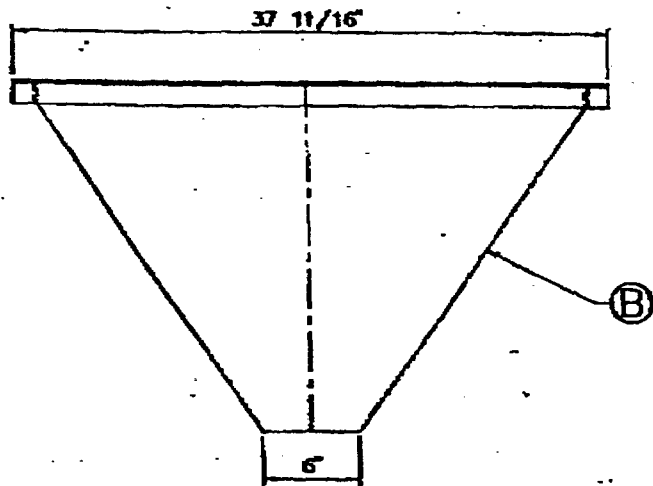
STEPHENS  
 SHEETS METAL CO. DIVISION  
 251 23rd St. N. ST. PAUL, MINN. 55101  
 DESCRIPTION  
 MODEL SV-20 WEIGH BATCHER  
 FILTER VENT  
 DRAWN BY  
 R.L.K.  
 SCALE  
 NONE  
 JOB NO.  
 SV-20  
 SHEET  
 1 OF 2



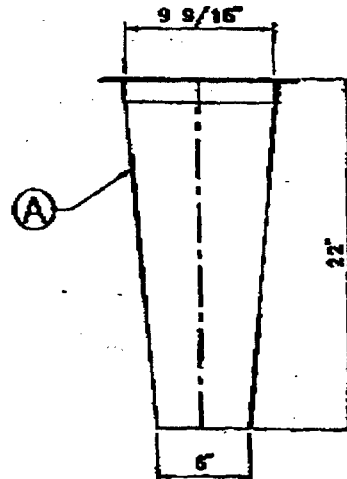
TOP VIEW

SV-20 HOPPER

NO SCALE



FRONT VIEW



SIDE VIEW

SV-20 HOPPER ELEVATIONS

NO SCALE

NOTED 7-22-17 BY STEPHENS MACHINE WORKS  
**Stephens**

DESCRIPTION  
 SV-20 BATCHER VENT HOPPER  
 ELEVATIONS

DRAWN BY  
 M.D.H.  
 SCALE  
 NONE  
 DATE  
 2-21-90  
 JOB NUMBER  
 SV-20 HOPPER  
 SHEET NUMBER  
 1 of 1

★ **JAHNA** ★



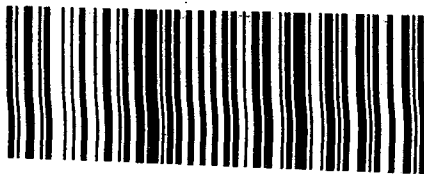
**CONCRETE, INC.**

Serving All Your Concrete Product Needs Since 1925

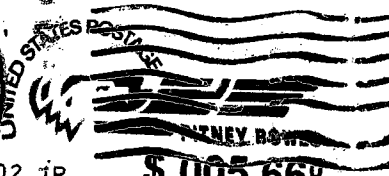
104 S. Railroad Avenue, Avon Park, FL 33825

PLACE STICKER AT TOP OF ENVELOPE TO THE RIGHT  
OF THE RETURN ADDRESS. FOLD AT DOTTED LINE

**CERTIFIED MAIL™**



7007 2560 0002 2056 9854



02 1P  
0004150439 MAY 12 2008  
MAILED FROM ZIP CODE 33825

**\$ 005.66<sup>00</sup>**

**RETURN RECEIPT  
REQUESTED**

32315+3070-70 8099

