



Florida Department of Environmental Protection

Bob Martinez Center
2600 Blair Stone Road
Tallahassee, Florida 32399-2400

Charlie Crist
Governor

Jeff Kottkamp
Lt. Governor

Michael W. Sole
Secretary

January 12, 2009

Mr. Jeffrey A. Smith
South Florida Water Management District
Pump Station S-129
3301 Gun Club Road, Department #5432
West Palm Beach, Florida 33406

Dear Mr. Smith:

This is to acknowledge that your notification of intent to use the authority of Rule 62-210.310 to operate your facility was received on December 8, 2008. We have assigned ARMS No. 0430020-001 to this facility.

As you know, pursuant to Florida Statutes section 403.814, authority to operate under general permits commences thirty (30) days after receipt of the registration form unless you have been notified by this office that your facility has not shown entitlement to operate pursuant to the rule provisions.

For your information, authority to operate pursuant to Rule 62-210.310 expires after five (5) years. Therefore, a new registration form must be received no later than five (5) years after the date your notice was received as indicated above. If your general permit rule conditions require testing, such testing must be completed within the time frame specified in the rule.

If you have any additional questions, please contact Dickson Dibble at 850/921-9586.

Sincerely,


Sandra F. Veazey, Chief
Bureau of Air Monitoring
and Mobile Sources

SFV/pg

RECEIVED

DEC 10 2008

Bureau of Air Monitoring
& Mobile Sources

RECIPROCATING INTERNAL COMBUSTION ENGINES
AIR GENERAL PERMIT REGISTRATION FORM

Part II. Notification to Permitting Office

(Detach and submit to appropriate permitting office; keep copy onsite)

Instructions: To give notice to the Department of an eligible facility's intent to use this air general permit, the owner or operator of the facility must detach and complete this part of the Air General Permit Registration Form and submit it to the appropriate Department of Environmental Protection or local air pollution control program office which has permitting authority. Please type or print clearly all information, and enclose the appropriate air general permit registration processing fee pursuant to Rule 62-4.050, F.A.C. (\$100 as of the effective date of this form)

0430020-001

Registration Type

Check one:

INITIAL REGISTRATION - Notification of intent to:

- Construct and operate a proposed new facility.
- Operate an existing facility not currently using an air general permit (e.g., a facility proposing to go from an air operation permit to an air general permit).

RE-REGISTRATION (for facilities currently using an air general permit) - Notification of intent to:

- Continue operating the facility after expiration of the current term of air general permit use.
- Continue operating the facility after a change of ownership.
- Make an equipment change requiring re-registration pursuant to Rule 62-210.310(2)(e), F.A.C., or any other change not considered an administrative correction under Rule 62-210.310(2)(d), F.A.C.

Surrender of Existing Air Operation Permit(s) - For Initial Registrations Only

If the facility currently holds one or more air operation permits, such permit(s) must be surrendered by the owner or operator upon the effective date of this air general permit. In such case, check the first box, and indicate the operation permits being surrendered. If no air operation permits are held by the facility, check the second box.

- All existing air operation permits for this facility are hereby surrendered upon the effective date of this air general permit; specifically permit number(s): _____
- No air operation permits currently exist for this facility.

General Facility Information

Facility Owner/Company Name (Name of corporation, agency, or individual owner who or which owns, leases, operates, controls, or supervises the facility.)

South Florida Water Management District

Site Name (Name, if any, of the facility site; e.g., Plant A, Metropolis Plant, etc. If more than one facility is owned, a registration form must be completed for each.)

Pump Station S-129

Facility Location (Provide the physical location of the facility, not necessarily the mailing address.)

Street Address: 1/4 miles east of SR 78, 1/2 mile north of Roberson Drive.

City: South of Buckhead Ridge County: Glades Zip Code: 34974

OKEECHOBEE - MAIL 34974

Facility Start-Up Date (Estimated start-up date of proposed **new** facility.)(N/A for existing facility)
Pump Station used for flood control. Station began operation approximately November 14, 1965.

Fuel Consumption

If this is an **initial registration** for reciprocating internal combustion engine operations, provide an estimate of the total amount of fuel expected to be consumed over a 12-month period. Note: the general permit limits fuel consumption by all reciprocating internal combustion engines at the facility to 20,000 gallons per year of gasoline, 250,000 gallons per year of diesel fuel, 1.15 million gallons per year of propane, 40 million standard cubic feet per year of natural gas, or an equivalent prorated amount if multiple fuels are used

Pumping operations are based on environmental conditions. Average annual fuel consumption from January 2002 through October 2008 is approximately 9,500 gallons.

If this is a **re-registration** for reciprocating internal combustion engine operations, provide the highest 12-month total fuel consumption amount, in appropriate units, for the last five years. Indicate the 12-month period over which this fuel consumption occurred.

N/A

Description of Facility

Below, or as an attachment to this form, provide a description of the reciprocating internal combustion engine operations at the facility in sufficient detail to demonstrate the facility's eligibility for use of this air general permit and to provide a basis for tracking any future equipment or process changes at the facility. Describe all air pollutant-emitting processes and equipment at the facility, and identify any air pollution control measures or equipment used.

The three existing Caterpillar 225 hp main engines are being replaced with three Caterpillar 385 hp engines. The increase in horsepower rating presents a potential for the station to exceed the 32,000 gallons of diesel fuel per year during a wet year. Station currently operates under the air permitting exemption pursuant to Rule 62-210.300(3)(a)(36)(d), F.A.C. The Specification Sheet for the new engines is attached. No add-on emission control equipment will be used. Station has one emergency backup generator.

Aerial map included for location.

South Florida Water Management District
Location Aerial

Pump Station S-129

721

78

Lakeport

Lake Okeechobee

2004-05 SFWMD Aerial Photography
2006 Okeechobee County Aerial Photography

©2007 Google™

3.12 mi

Pointer 27°00'27.21" N 81°02'54.56" W

Streaming ||||| 100%

Eye alt 10.80 mi

**South Florida Water Management District
Pump Station S-129**





C13 ACERT™

287 bkW / 385 bhp

2100 rpm

Industrial

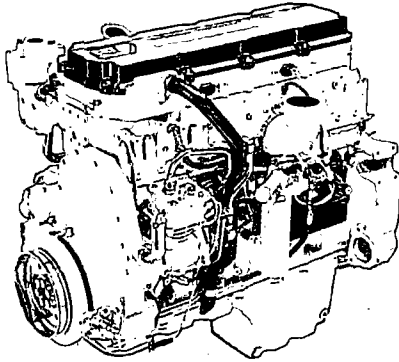


Image shown may not reflect actual engine

CATERPILLAR ENGINE SPECIFICATIONS

I-6, 4-Stroke-Cycle Diesel

Bore.....	130.0 mm (5.12 in)
Stroke.....	157.0 mm (6.18 in)
Displacement.....	12.5 L (762.8 in ³)
Aspiration.....	Turbocharged Aftercooled
Compression Ratio.....	17.3:1
Rotation (from flywheel end).....	Counterclockwise
Weight, Net Dry (approximate kg, lb).....	939 kg, 2070 lb

FEATURES

Emissions

Meets Tier 3, Stage IIIA emission requirements. Tier 3 refers to EPA (U.S.) standards. Stage IIIA refers to European standards.

Worldwide Supplier Capability

Caterpillar

- Casts engine blocks, heads, and cylinder liners.
- Machines critical components
- Assembles complete engine

Ownership of these manufacturing processes enables Caterpillar to produce high quality, dependable product.
 Factory-designed systems built at Caterpillar ISO certified facilities.

Testing

Prototype testing on every model:

- proves computer design
- verifies system torsional stability
- tests functionality on every model

Every Caterpillar engine is dynamometer tested under full load to ensure proper engine performance.

Full Range of Attachments

Wide range of bolt-on system expansion attachments, factory designed and tested.

Unmatched Product Support Offered Through Worldwide Caterpillar Dealer Network

More than 1,500 dealer outlets.
 Caterpillar factory-trained dealer technicians service every aspect of your industrial engine.
 99.7% of parts orders filled within 24 hours worldwide.
 Caterpillar parts and labor warranty.
 Preventive maintenance agreements available for repair before failure options.

Scheduled Oil Sampling program matches your oil sample against Caterpillar set standards to determine:

- internal engine component condition
- presence of unwanted fluids
- presence of combustion by-products

Web Site

For all your industrial power requirements, visit www.cat-industrial.com.

STANDARD ENGINE EQUIPMENT

Air Inlet System

Air to air aftercooled (ATAAC)
Turbocharged

Control System

Electronic governing, PTO speed control
Programmable ratings
Cold mode start strategy
Automatic altitude compensation
Power compensation for fuel temperature
Programmable low and high idle and total engine limit
Electronic diagnostics and fault logging
Engine monitoring system
J1939 Broadcast (diagnostic and engine status)
ADEM™ A4

Cooling System

Thermostats and housing, vertical outlet
Jacket water pump, centrifugal
Water pump, inlet

Exhaust System

Exhaust manifold, dry
Optional exhaust outlet

Flywheels and Flywheel Housing

SAE No. 1 Flywheel housing

Fuel System

MEUI injection
Fuel filter, secondary (2 micron high performance)
Fuel transfer pump
Fuel priming pump
ACERT™ Technology

Lube System

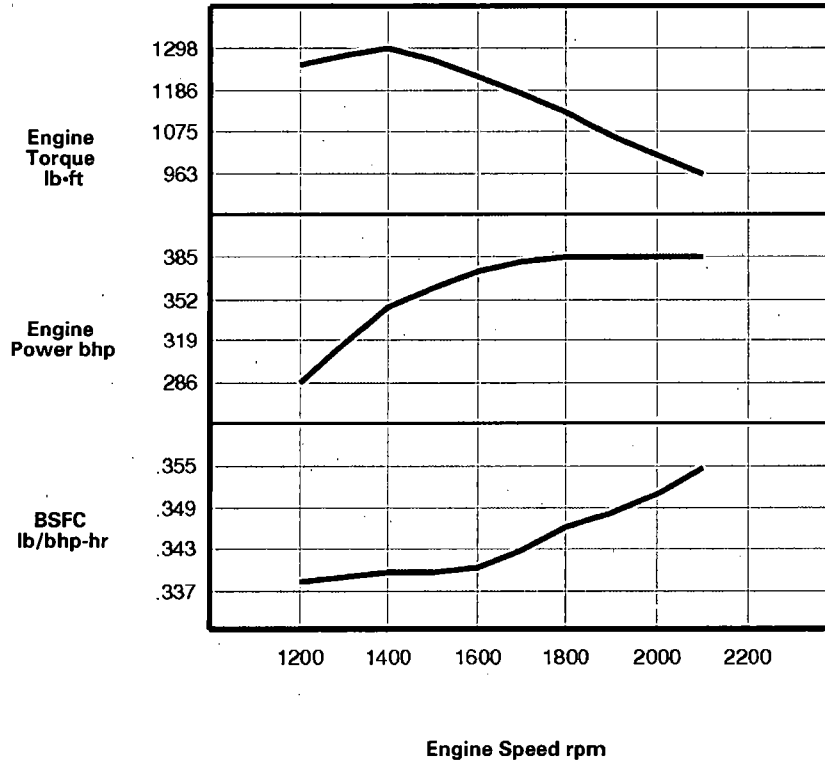
Crankcase breather
Oil cooler
Oil filler
Oil filter
Oil pan front sump
Oil dipstick
Oil pump (gear driven)

General

Paint, Caterpillar Yellow
Vibration damper
Lifting eyes

PERFORMANCE CURVES

IND - A (Continuous) - DM7685-02

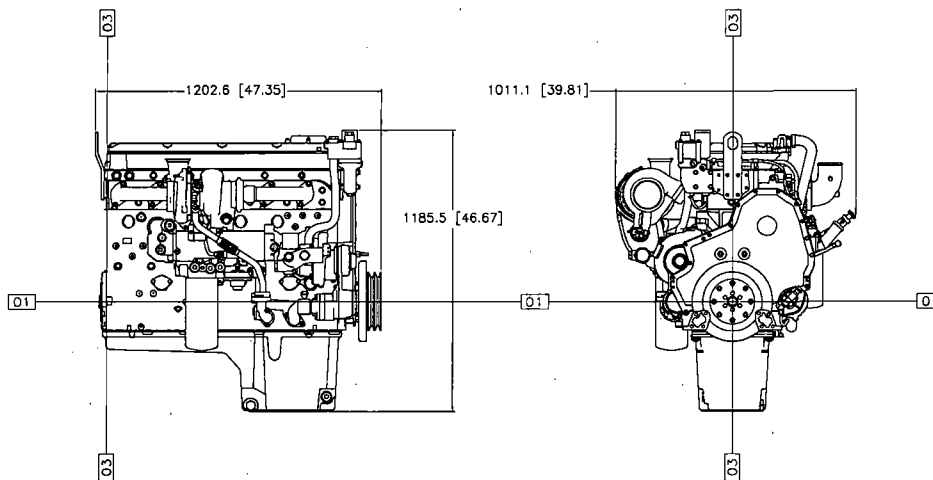


Engine Speed rpm	Engine Power bhp	Engine Torque lb-ft	BSFC lb/bhp-hr	Fuel Rate gal/hr
2100	385	963	.355	19.5
2000	385	1011	.351	19.3
1900	385	1064	.348	19.2
1800	385	1124	.346	19.0
1700	381	1177	.343	18.7
1600	373	1224	.340	18.1
1500	361	1266	.340	17.5
1400	346	1298	.339	16.8
1300	317	1281	.339	15.3
1200	286	1252	.338	13.8

RATINGS AND CONDITIONS

IND - A (Continuous) Continuous heavy duty service where the engine is operated at maximum power and speed up to 100% of the time without interruption or load cycling.

Engine Performance Diesel Engines — 7 liter and higher All rating conditions are based on SAE J1995, inlet air standard conditions of 99 kPa (29.31 in. Hg) dry barometer and 25°C (77°F) temperature. Performance measured using a standard fuel with fuel gravity of 35° API having a lower heating value of 42,780 kJ/kg (18,390 btu/lb) when used at 29° C (84.2° F) with a density of 838.9 g/L.



Engine Dimensions	
(1) Length	47.35 in
(2) Width	39.81 in
(3) Height	46.67 in

Note: Do not use for installation design. See general dimension drawings for detail (Drawing # 2588857).

Performance Number: DM7685-02

Feature Code: C13DI00 Arr. Number: 2413804

Materials and specifications are subject to change without notice.

11692820

© 2008 Caterpillar

All rights reserved.

The International System of Units (SI) is used in this publication.

CAT, CATERPILLAR, SAFETY.CAT.COM their respective logos, "Caterpillar Yellow," and the POWER EDGE trade dress, as well as corporate and product identity used herein, are trademarks of Caterpillar and may not be used without permission.



SOUTH FLORIDA WATER MANAGEMENT DISTRICT

ADM 38-40

December 4, 2008

Florida Dept. of Environmental Protection - Receipts
P.O. Box 3070
Tallahassee, FL 32315-3070

**Subject: Air General Permit Registration Forms
South Florida Water Management District
Pump Stations S-129 and S-131**

Enclosed please find Air General Permit Registration Forms (DEP Form No. 62-210.920(1)(b)) for the South Florida Water Management District (District) Pump Stations S-129 and S-131. These are initial Air General Permits for both stations. No air operation permits currently exist for these facilities. These stations have historically operated under a permitting exemption (Rule 62-210.300(3)(a)(36)(d), F.A.C.) due to their annual fuel oil consumption being less than 32,000 gallons.

The existing Caterpillar 220 bhp engines will be replaced with Caterpillar 385 bhp engines. As a result of the increase in horsepower rating, the annual fuel oil consumption during wet years will potentially exceed 32,000 gallons. The first engine at both stations is scheduled to be installed the beginning of February 2009. Enclosed are specification sheets for the Caterpillar C13 ACERT engines that will be installed in each pump station. Also enclosed are aerials indicating the pump station locations.

Please contact me at 561/682-2516 if you have any questions.

Sincerely,

A handwritten signature in black ink, appearing to read "Jeffrey A. Smith".

Jeffrey A. Smith
Lead Environmental Scientist
Infrastructure Systems
Operations & Maintenance Resource Area

c: District O/M file

Florida Department of Environmental Protection
 Cash Receiving Application (CRA)
 Cashlisting by Deposit #: 291302 thru 291302
 Printed: 12/8/2008 4:04:09 PM - Page 13

Cashlisting: 72528 Cashlist Area: 3755 Description: DIV OF AIR RESOURCES MGMT.
 Deposit No: 291302 Date Deposited: 12/08/2008 Contact: E. WALKER

Object	Transmittal	Dep DDN	Receipt Number	Pre-Numbered Receipt	Name	Check Number	Payment Amount	Reference Account	Payment Number	Remittance Number	Fund	Grant	
002272	51828	489329	646481		SFL WMD	3050164	\$200.00	0430020-001	913548	806287	PFTF		
	51828	489344	646496		VAC-TRON EQUIPMENT LLC	3662	\$100.00	12/8/2008-IE	913579	806302	PFTF		
Object Code 002272 Subtotal:							\$300.00						
002278	51828	489330	646482		LANG ENVIRONMENTAL INC	34186	\$400.00	51409	913549	806288	APCTF		
	51828	489331	646483		CROSS CONSTRUCTION SERVICES IN	8810	\$100.00	50996	913550	806289	APCTF		
	51828	489332	646484		LAKESHORE ENVIRONMENTAL CONTR	12549	\$600.00	51511	913552	806290	APCTF		
	51828	489332	646484		LAKESHORE ENVIRONMENTAL CONTR	12549	\$500.00	51181	913551	806290	APCTF		
	51828	489333	646485		GLENNCO CONSTRUCTION CO INC	14299	\$200.00	51567	913553	806291	APCTF		
	51828	489334	646486		MARCOR REMEDIATION INC	03002179	\$200.00	51488	913554	806292	APCTF		
Object Code 002278 Subtotal:							\$2,000.00						
Cashlisting 72528 Total:							\$2,300.00						



**South Florida
Water Management District**

P.O. Box 24682
3301 Gun Club Road
West Palm Beach, FL 33416-4682

FLORIDA DEPT OF ENVIRON PROTECTION
SOUTH DISTRICT
PO BOX 2549

FT MYERS FL 33902-2549

South Florida Water Management District

P.O. Box 24682 * West Palm Beach, Fl. 33416-4682

CHECK NO. **3050164**

PAYMENT VOUCHER	VENDOR INVOICE NO.	VOUCHER DATE	DESCRIPTION	AMOUNT
1900028320	111808	11-18-08	Permit Fees for Pump Stat S-12	200.00
			TOTAL	200.00

SRC 011 (REV 12/98)

PLEASE DETACH AND RETAIN THIS STATEMENT BEFORE DEPOSITING THE CHECK