



Florida Department of Environmental Protection

Bob Martinez Center
2600 Blair Stone Road
Tallahassee, Florida 32399-2400

Charlie Crist
Governor

Jeff Kottkamp
Lt. Governor

Michael W. Sole
Secretary

October 30, 2008*

Mr. Kenneth J. Clymer
Clymer Cremations & Funeral Home, Incorporated
Marvin's Garden
4601 East Highway 100, Suite A2
Bunnell, Florida 32110

Dear Mr. Clymer:

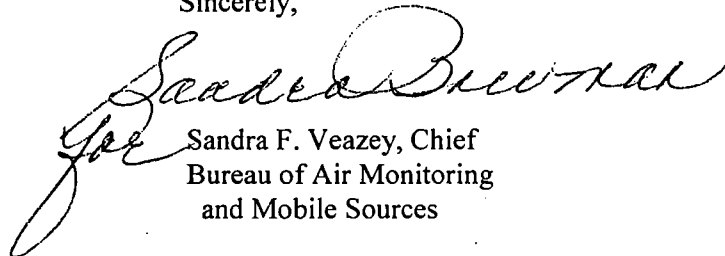
This is to acknowledge that your notification of intent to use the authority of Rule 62-210.310 to operate your facility was received on September 23, 2008. We have assigned ARMS No. 0350024-001 to this facility.

As you know, pursuant to Florida Statutes section 403.814, authority to operate under general permits commences thirty (30) days after receipt of the registration form unless you have been notified by this office that your facility has not shown entitlement to operate pursuant to the rule provisions.

For your information, authority to operate pursuant to Rule 62-210.310 expires after five (5) years. Therefore, a new registration form must be received no later than five (5) years after the date your notice was received as indicated above. If your general permit rule conditions require testing, such testing must be completed within the time frame specified in the rule.

If you have any additional questions, please contact Dickson Dibble at 850/921-9586.

Sincerely,



Sandra F. Veazey, Chief
Bureau of Air Monitoring
and Mobile Sources

SFV/pg

cc: Mr. Rick Banks, Northeast District

HUMAN CREMATORY
AIR GENERAL PERMIT REGISTRATION FORM

RECEIVED

SEP 23 2008

Part II. Notification to Permitting Office

(Detach and submit to appropriate permitting office; keep copy onsite)

NORTHEAST DISTRICT
DEP-JACKSONVILLE

Instructions: To give notice to the Department of an eligible facility's intent to use this air general permit, the owner or operator of the facility must detach and complete this part of the Air General Permit Registration Form and submit it to the appropriate Department of Environmental Protection or local air pollution control program office which has permitting authority. Please type or print clearly all information, and enclose the appropriate air general permit registration processing fee pursuant to Rule 62-4.050(4)(o), F.A.C. (\$100 as of the effective date of this form)

0350024-001

RECEIVED
OCT 04 2008
Bureau of Air Pollution
& Mobile Sources

Registration Type

Check one:

INITIAL REGISTRATION - Notification of intent to:

- Construct and operate a proposed new facility.
- Operate an existing facility not currently using an air general permit (e.g., a facility proposing to go from an air operation permit to an air general permit).

RE-REGISTRATION (for facilities currently using an air general permit) - Notification of intent to:

- Continue operating the facility after expiration of the current term of air general permit use.
- Continue operating the facility after a change of ownership.
- Make an equipment change requiring re-registration pursuant to Rule 62-210.310(2)(e), F.A.C., or any other change not considered an administrative correction under Rule 62-210.310(2)(d), F.A.C.

Surrender of Existing Air Operation Permit(s) - For Initial Registrations Only

If the facility currently holds one or more air operation permits, such permit(s) must be surrendered by the owner or operator upon the effective date of this air general permit. In such case, check the first box, and indicate the operation permits being surrendered. If no air operation permits are held by the facility, check the second box.

- All existing air operation permits for this facility are hereby surrendered upon the effective date of this air general permit; specifically permit number(s): _____
- No air operation permits currently exist for this facility.

General Facility Information

Facility Owner/Company Name (Name of corporation, agency, or individual owner who or which owns, leases, operates, controls, or supervises the facility.)

KENNETH CLYMER / CLYMER CREMATIONS & FUNERAL HOME INC.

Site Name (Name, if any, of the facility site; e.g., Plant A, Metropolis Plant, etc. If more than one facility is owned, a registration form must be completed for each.)

MARVIN'S GARDEN

Facility Location (Provide the physical location of the facility, not necessarily the mailing address.)

Street Address: 4601 EAST HIGHWAY 100

City: BUNNELL

County: FLAGLER

Zip Code: 32110

Facility Start-Up Date (Estimated start-up date of proposed new facility.) (N/A for existing facility)

NOV 1, 2008

Owner/Authorized Representative

Name and Position Title (Person who, by signing this form below, certifies that the facility is eligible to use this air general permit.)

Print Name and Title:

Kenneth J. Clymer Owner

Owner/Authorized Representative Mailing Address

Organization/Firm: CLYMER FUNERAL HOME

Street Address: 4601 E HWY 100 STA A-2

City: BUNNELL

County: FLAGLER

Zip Code: 32110

Owner/Authorized Representative Telephone Numbers

Telephone: 386 586 7575

Fax: 386 586 0390

Cell phone (optional):

Facility Contact (If different from Owner/Authorized Representative)

Name and Position Title (Plant manager or person to be contacted regarding day-to-day operations at the facility.)

Print Name and Title:

Kenneth Clymer Pres.

Facility Contact Mailing Address

Organization/Firm: CLYMER FUNERAL HOME

Street Address: 4601 E. Highway 100 STA A-2

City: BUNNELL

County: FLAGLER

Zip Code: 32110

Facility Contact Telephone Numbers

Telephone: 386-586-7575

Fax: 386 586 0390

Cell phone (optional):

Owner/Authorized Representative Statement

This statement must be signed and dated by the person named above as owner or authorized representative

I, the undersigned, am the owner or authorized representative of the owner or operator of the facility addressed in this Air General Permit Registration Form. I hereby certify, based on information and belief formed after reasonable inquiry, that the facility addressed in this registration form is eligible for use of this air general permit and that the statements made in this registration form are true, accurate and complete. Further, I agree to operate and maintain the facility described in this registration form so as to comply with all applicable standards for control of air pollutant emissions found in the statutes of the State of Florida and rules of the Department of Environmental Protection and revisions thereof.

I will promptly notify the Department of any changes to the information contained in this registration form.

Signature

Date

9/18/08

Design Calculations

If this is an initial registration for a proposed new human crematory unit, provide design calculations to confirm a sufficient volume in the secondary chamber combustion zone to provide for at least a 1.0 second gas residence time at 1800 degrees F.

- Manufacturer's' design calculations attached.
- Registration is not for proposed new human crematory unit(s).

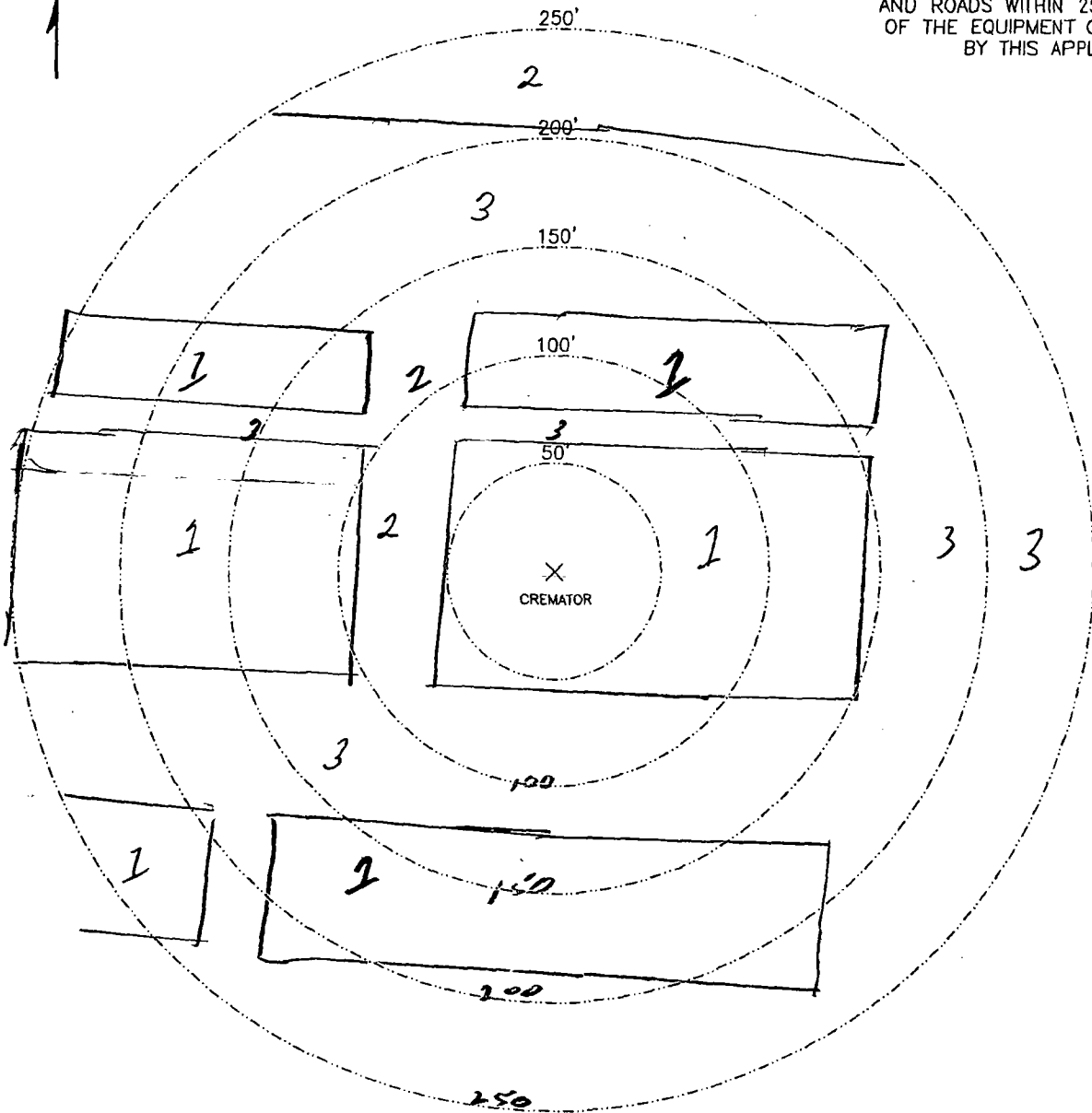
Description of Facility

Below, or as an attachment to this form, provide a description of all crematory operations at the facility in sufficient detail to demonstrate the facility's eligibility for use of this air general permit and to provide a basis for tracking any future equipment or process changes at the facility. Describe all air pollutant-emitting processes and equipment at the facility, and identify any air pollution control measures or equipment used.
See attached process flow diagram.

PLOT PLAN

NORTH
↑

SHOW ALL SURROUNDING BUILDINGS
AND ROADS WITHIN 250 FEET
OF THE EQUIPMENT COVERED
BY THIS APPLICATION.



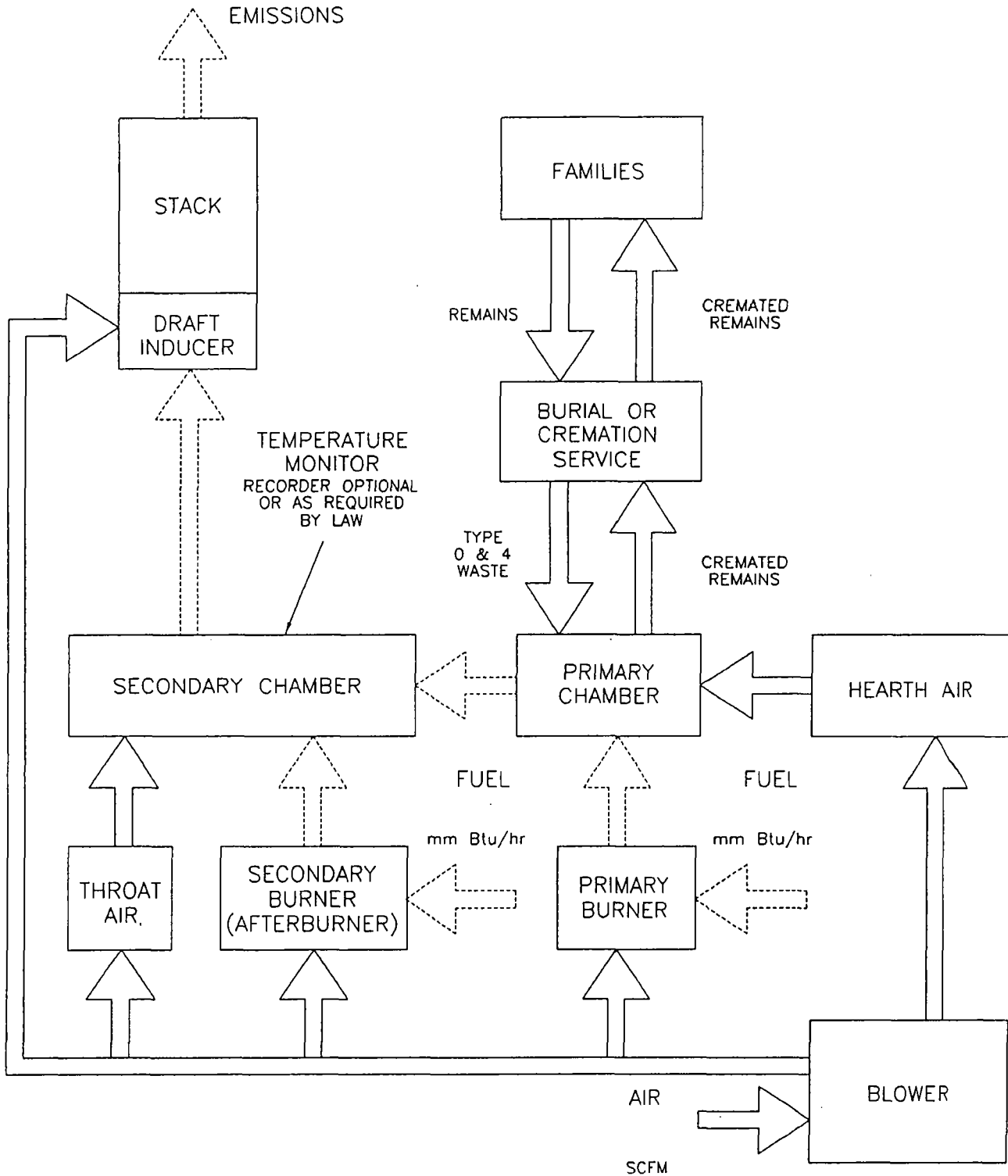
STRUCTURE DESCRIPTION

INSTRUCTIONS

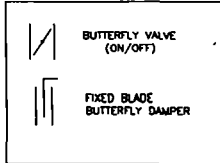
1. INDICATE LOCATION AND TYPE OF BUILDING BY THE USE OF SMALL NUMBERED CIRCLES WITH THE DESCRIPTION BELOW.
2. SHOW ROADS AS LINES REPRESENTING THE ROAD EDGES. INDICATE STREET NAMES AND HIGHWAY NUMBERS.
3. SHOW WOODED OR CLEARED AREA BY APPROXIMATE BOUNDARY LINES AND THE WORDS "WOODS," "CLEARED," "CORNFIELD," ETC.

- (1) 1 story masonry building
- (2) GRASS AREA
- (3) DRIVE WAY CONCRETE
- (4)
- (5)
- (6)
- (7)
- (8)
- (9)
- (10)

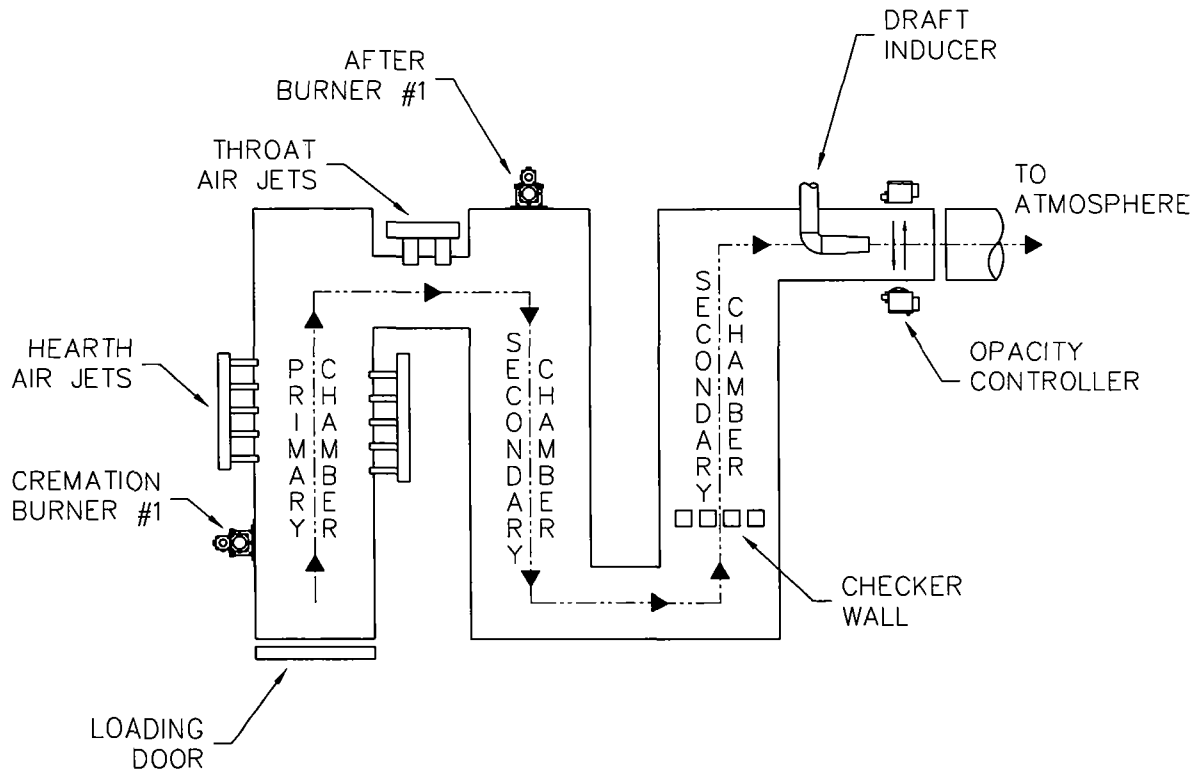
PROCESS FLOW DIAGRAM CREMATOR



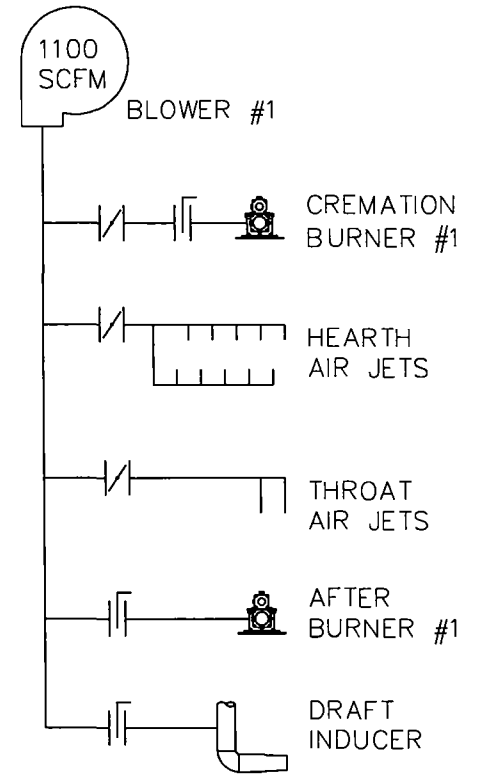
LEGEND OF SYMBOLS



FLOW DIAGRAM



AIR SCHEMATIC



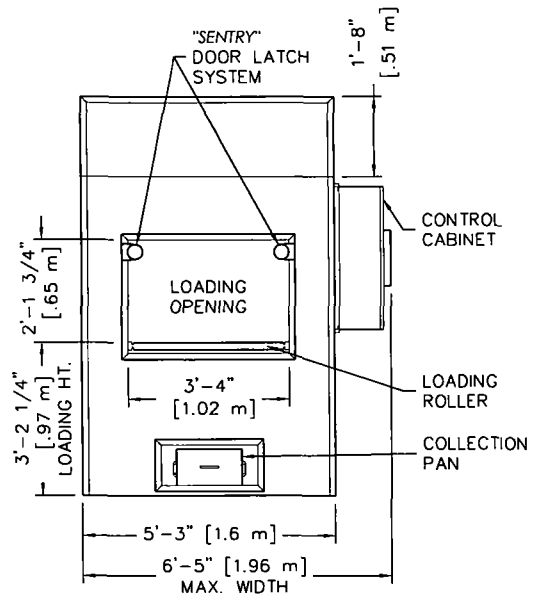
Matthews
CREMATION DIVISION

2045 Sprint Boulevard
Apopka, Florida 32703
USA

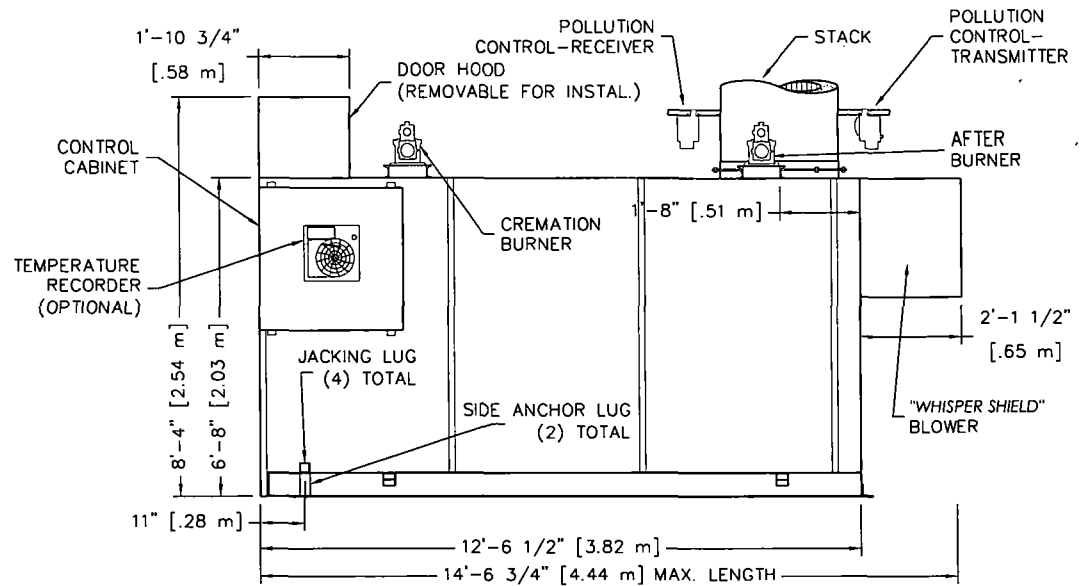
POWER PAK II

FLOW DIAGRAM
& AIR SCHEMATIC

DATE:	08-05-05	SCALE:	1/4"=1'
DRAWN:	JG	PLOT SCALE:	1:48
APRVD:		SHEET:	1 OF: 1
DWG FILE:	PPIIFlowDiaAirSchem		
DWG #:	0000523		



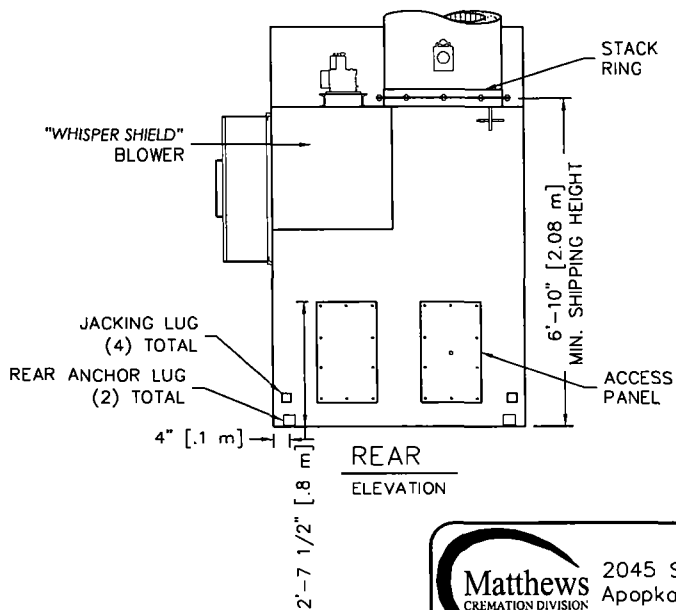
FRONT
ELEVATION



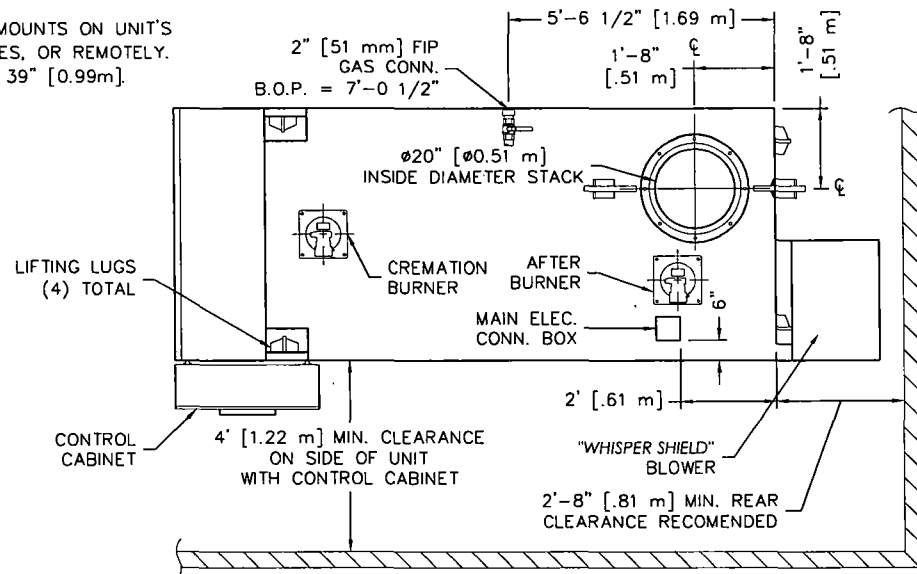
RIGHT SIDE
ELEVATION

NOTES:

- 1) CONTROL CABINET MOUNTS ON UNIT'S LEFT OR RIGHT SIDES, OR REMOTELY.
- 2) CHAMBER WIDTH IS 39" [0.99m].



REAR
ELEVATION



PLAN
VIEW

Matthews
CREMATION DIVISION

2045 Sprint Boulevard
Apopka, Florida 32703
USA

POWER-PAK II

PLAN & ELEVATIONS INCL: CLEARANCES,
REQUIREMENTS & RECOMENDATIONS

DATE:	10-26-06	SCALE:	1/4"=1'
DRAWN:	JG	PLOT SCALE:	1:48
APRVD:		SHEET:	1 OF: 2
DWG FILE:	PPII-MarketingPlanElevS1R4		
DWG #:	0000140		

CREMATOR CLEARANCES

RECOMMENDED

MINIMUM

TOP: ②	2 FEET [610 mm]	6 INCHES [152 mm]
CABINET SIDE:	4 FEET [1.22 m]	4 FEET [1.22 m]
OTHER SIDE:	2 FEET [610 mm]	6 INCHES [152 mm]
FRONT:	9 FEET [2.74 m]	8 FEET [2.44 m]
REAR:	3 FEET [0.91 m]	32 INCHES [812 mm]
STACK:	6 INCHES [152 mm]	6 INCHES [152 mm]

1. FOR CLEARANCES OTHER THAN THOSE SHOWN, OR FOR SPECIAL REQUIREMENTS, CONSULT YOUR MCD REP.

② FROM HIGHEST POINT ON UNIT.

3. CONTROL CABINET MOUNTS ON UNIT'S LEFT OR RIGHT SIDES, OR REMOTELY. (SEE PLAN VIEW, SHEET 1).

4. REAR OF UNIT REFERS TO THE "BACK PLATE", RATHER THAN THE BACK OF THE "WHISPER SHIELD". (SEE PLAN VIEW, SHEET 1).

CREMATOR REQUIREMENTS

FUEL: A PRESSURE REGULATOR ADJUSTABLE TO 7" [178 mm] W.C. FOR NATURAL GAS, OR 11" [279 mm] W.C. FOR LP GAS.

CAPACITY: RANGES FROM 2.0 TO 3.0 MILLION BTU/HR [2.1 TO 3.1 MILLION KILOJouLES/HR] DEPENDING UPON AMOUNT OF BURNERS.

ELECTRICAL: 230 VOLT, 3Ø, (40A BREAKER) AND 115v (10A BREAKER), OR 230 VOLT, 1Ø, (70A BREAKER) AND 115v (10A BREAKER) 50/60 HERTZ

AIR: LOUVER NEAR THE REAR OF THE UNIT CAPABLE OF PASSING 2,500 CU FT/MIN [70.8 CU M/MIN] OF FREE AIR (36" X 36") [914 mm X 914 mm].

STACK INSTALLATION INSTRUCTIONS

1. APPLY A 1/2" THICK MORTAR JOINT TO EXPOSED REFRACTORY SURFACE IN STACK RING. LOWER THE BASE STACK SECTION (B) ONTO STACK RING (A) AND FASTEN WITH HARDWARE PROVIDED (NO MORE THAN (2) STACK SECTIONS SHALL BE LIFTED TOGETHER). REPEAT PROCESS FOR REMAINING STACK SECTIONS. IF SECTIONS OF VARYING LENGTHS ARE SUPPLIED, ASSEMBLE AS TO AVOID FLANGES & LIFTING EYES INTERFERING WITH RAIN COLLAR LOCATION.

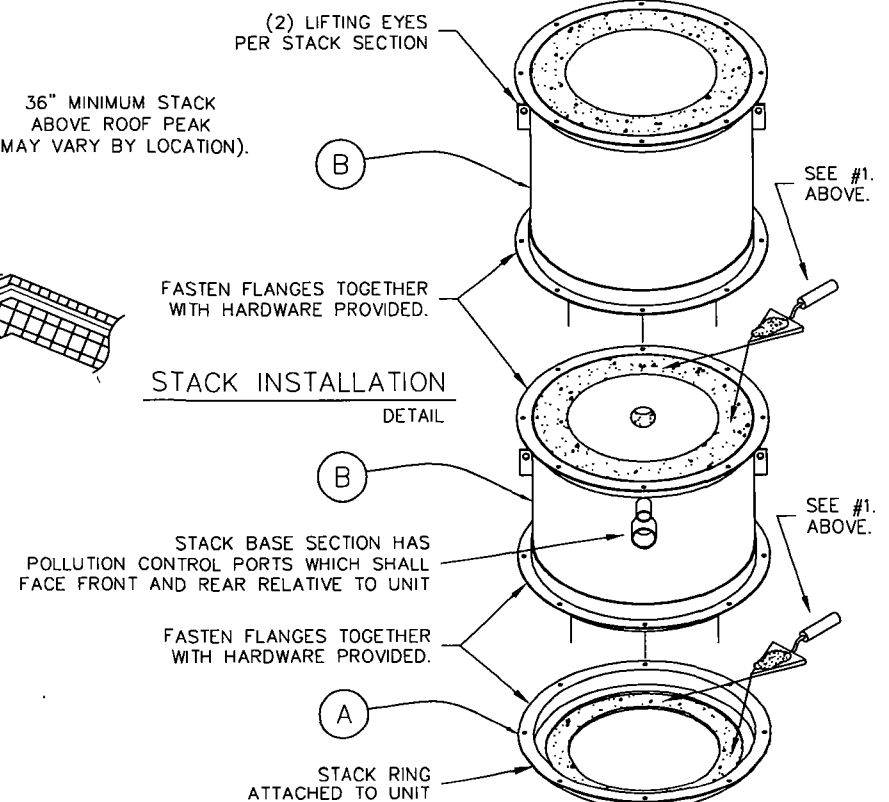
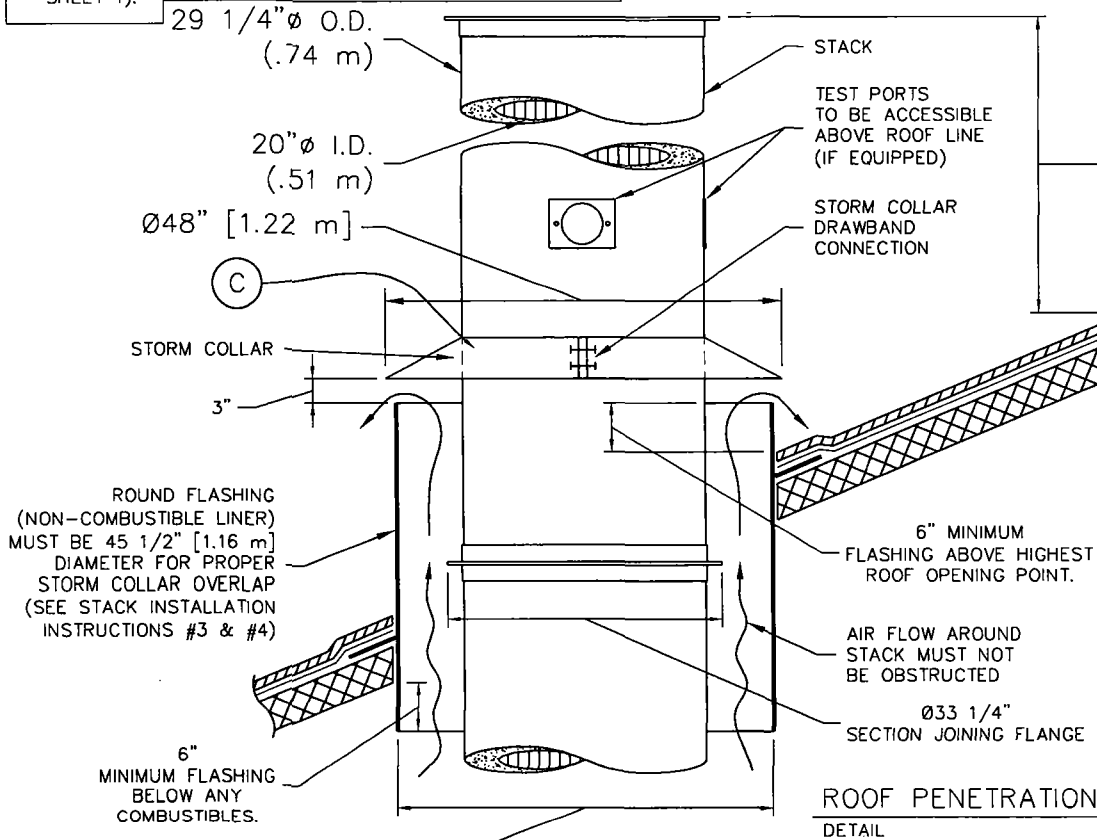
2. INSTALL STORM COLLAR ON STACK, 3" [76 mm] ABOVE NON-COMBUSTIBLE LINER (FLASHING), ALLOWING FOR PROPER VENTILATION (SEE DETAIL).

3. APPLY A 1/4" [6 mm] BEAD OF HIGH-TEMPERATURE SILICON SEALANT (PROVIDED BY MCD) TO THE JOINT BETWEEN THE STORM COLLAR (C) AND THE STACK (B).

4. STORM COLLAR IS FURNISHED BY MCD. THE NON-COMBUSTIBLE LINER (FLASHING) TO BE PROVIDED BY THE OTHERS.

5. IF FIFTY PERCENT OF THE STACK LENGTH IS ABOVE THE ROOF, GUY WIRES MAY BE REQUIRED. CONSULT WITH YOUR MCD REP.

6. RAIN CAP NOT REQUIRED.



2045 Sprint Boulevard
Apopka, Florida 32703
USA

POWER-PAK II

STACK DETAILS, CLEARANCES &
INSTALLATION INSTRUCTIONS.
REFRACTORY STACK DETAIL

DATE:	08-18-05	SCALE:	1/2"=1'
DRAWN:	JG	PLOT SCALE:	1:24
APRVD:		SHEET:	2 OF 2
DWG FILE:	PPII-MarketingStackRefs2R2		
DWG #:	0000140		

SPECIFICATIONS- Model Power-Pak II

1. Equipment Type Model Power-Pak II
 - A. Model No. IE43-PPII
 - B. Underwriters Laboratories Listing and File No. .. 87E8; MH14647

2. Dimensions
 - A. Footprint 12' – 6 ½" x 6' – 8"
 - B. Maximum Length 14' - 6½" (4.43 m)
 - C. Maximum Width 6' -5" (1.96 m)
 - D. Maximum Height 8' - 4" (2.54 m)
 - E. Chamber Loading Opening 25 3/4" H x 39" W (655 mm x 990 mm)

3. Weight 24,000 lbs. (11,000 kg)

4. Utility/Air Requirements
 - A. Gross Gas Input, Natural or LP Gas 2,000,000 BTU/hr. (2,100,000 kJ/h)
 2,500,000 BTU/hr. (2,600,000 kJ/h) if equipped
 with preheat burner
 - Running Gas Pressure, Natural Gas 7 inches (180 mm) water column or greater
 - Running Gas Pressure, LP Gas 11 inches (280 mm) water column or greater
 - B. Electrical Supply 230 volt, 3Ø or 1Ø, 50/60 hz (other available)
 - C. Air Supply 2,500 cfm (70 standard m³/min)

5. Incineration Capacity 150 lbs./hr. (68 kg/h)

6. Typical Loading Capacity of Waste Types 750 lbs. (340 kg/h)

7. Construction and Safety Standards Incineration Institute of America, Underwriters
 Laboratories, Canadian Standards Association

8. Steel Structure Construction
 - A. Frame 2" (51 mm) square tubing
 - B. Front/Rear Plates 3/8" (10 mm) plate
 - C. Floor Plates 3/16" (5 mm) plate
 - D. Outer Side Casing 12 gauge (3 mm) plate
 - E. Inner Side Casing 12 gauge (3 mm) plate

9. Stack Construction
 - A. Inner Wall 4 1/2" (110 mm) insulating firebrick or castable
 - B. Outer Wall 12 gauge (3 mm) sheet, 304 s.s., welded seams
 (unlined stack available)

10. Draft Nozzle Construction Schedule 40 type 316 s.s. pipe, welded
 connections

11. Main Chamber Door Construction
 - A. Steel Shell 3/16" (5 mm) steel, welded with reinforcement
 - B. Outer Refractory 1" (25 mm) insulating block
 - C. Inner Refractory 4½" (110 mm) insulating firebrick

12. Primary Chamber Wall Construction
 - A. Outer Casing Wall 12 gauge (3 mm) sheet
 - B. Inner Frame/Air Compartment 2" (51 mm) air compartment
 - C. Inner Casing Wall 12 gauge (3 mm) sheet

SPECIFICATIONS- Model Power-Pak II

- D. Outer Refractory Wall 5" (127 mm) insulating block
- E. Inner Refractory Wall 4½" (110 mm) firebrick

- 13. Secondary Chamber Wall Construction
 - A. Outer Casing Wall 12 gauge (3 mm) sheet
 - B. Inner Frame/Air Compartment 2" (51 mm) air compartment
 - C. Inner Casing Wall 12 gauge (3 mm) sheet
 - D. Outer Refractory Wall 6" (150 mm) insulating block
 - E. Inner Refractory Wall 4½" (110 mm) firebrick

- 14. Refractory Temperature Ratings
 - A. Standard Firebrick 3,100° F. (1700° C)
 - B. Insulating Firebrick..... 2,600° F. (1430° C)
 - C. Castable Refractory (Hearth)..... 2,550° F. (1370° C)
 - D. Castable Refractory 2,550° F. (1370° C)
 - E. Insulating Block..... 1,900° F. (1040° C)
 - F. Bonding Mortar 3,200° F. (1760° C)

- 15. Chamber Volumes (not including external flues, stacks or chimneys)
 - A. Primary Chamber..... 64 cubic feet (2.0 m³)
 - B. Secondary Chamber 74 cubic feet (2.0 m³)

- 16. Emission Control Features
 - A. Secondary Chamber with Afterburner Included
 - B. Opacity Monitor and Controller with Visual and Audible Alarms..... Included
 - C. Auxiliary Air Control System..... Included
 - D. Microprocessor Temperature Control System..... Included

- 17. Operating Temperatures
 - A. Primary Chamber..... 1,200° F. - 1,800° F. (650° C - 1000° C)
 - B. Secondary Chamber..... 1,400° F. - 1,800° F. (760° C - 1000° C) as required

- 18. Secondary Chamber Retention Time > 1 second

- 19. Ash Removal Door functions as a heat shield. Sweep out beneath front door into hopper that fills collection pan.

- 20. Safety Interlocks
 - A. High Gas Pressure Optional
 - B. Low Gas Pressure Optional
 - C. Blower Air Pressure Included
 - D. Door Position Included
 - E. Opacity Included
 - F. Motor Starter Function Included
 - G. Chamber Temperature Included
 - H. Motor Overload Included
 - I. Flame Quality..... Included
 - J. Burner Safe Start Included

- 22. Burner Description..... The nozzle mix burners used on this cremation equipment are industrial quality and designed

SPECIFICATIONS- Model Power-Pak II

for incinerator use.

- 23. Ultraviolet Flame Detection..... Ultraviolet flame detection has proven to be the most reliable means of flame safety. The system is completely sealed in a quartz capsule to eliminate problems, caused by moisture and dust created in the cremation process, which effect flame rod detectors.

- 24. Operating Panel Indicating Lights
 - A. Safe Run..... Included
 - B. Door Closed..... Included
 - C. Pollution Alarm..... Included
 - D. Afterburner On (Secondary Burner) Included
 - E. Cremation Burner On..... Included
 - F. Low Fire Cremation Burner On Included
 - G. Afterburner (Secondary Burner) Reset Included
 - H. Cremation Burner Reset Included
 - I. Hearth Air Included
 - J. Throat Air Off..... Included

- 25. Automatic Timer Functions
 - A. Master Cycle..... Included
 - B. Afterburner (Secondary Burner)..... Included
 - C. Cremation Burner Included
 - D. Low Fire Cremation Burner Included
 - E. Hearth Air Included
 - F. Throat Air..... Included
 - G. Pollution Monitoring Included
 - H. Afterburner (Secondary Burner) Prepurge Included
 - I. Cremation Burner Prepurge Included
 - J. Cool Down..... Included

- 26. Exterior Finish
 - A. Primer..... 2 coats rust inhibiting
 - B. Finish..... 2 coats textured finish

- 27. Start-Up and Training Startup of cremation equipment and training of operators to properly operate and maintain the equipment is performed on-site under actual operating conditions. Included is a comprehensive owner's manual, with details on the equipment, its components and proper operation.

- 28. Environmental Submittals Complete technical portion of state environmental permits. Engineering calculations, technical data, existing stack test results and equipment blueprints provided.

**EMISSIONS TESTING
REPORT**

PERMIT NO. 0950126-005-AG

**IE43-PPII, POWER-PAK II
CREMATOR**

PREPARED FOR:

BALDWIN FAIRCHILD

ORLANDO, FLORIDA

MAY 5, 2005

PREPARED BY:

ATC



AIR TESTING & CONSULTING, INC.

333 FALKENBURG ROAD, SUITE B-214
TAMPA, FLORIDA 33619

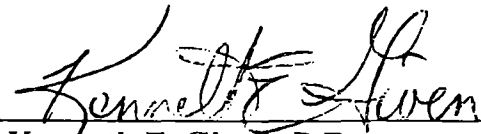
ATC



AIR TESTING & CONSULTING, INC.

333 FALKENBURG ROAD, SUITE B-214
TAMPA, FLORIDA 33619

To the best of my knowledge, all field and analytical procedures comply with Florida Department of Environmental Protection requirements and all test data and plant operating data are true and correct.


Kenneth E. Given, P.E.

5-10-05

Date

1.0 INTRODUCTION

On May 5, 2005, Air Testing & Consulting, Inc., conducted the following tests on Baldwin Fairchild's Human Crematory Incinerator located at 301 N. Ivanhoe Blvd. in Orlando, Florida:

- (1) Particulate Emission (EPA Methods 1 – 5)*
- (2) Carbon Monoxide (EPA Method 10)*
- (3) Visible Emissions (EPA Method 9)*
- (4) Oxygen (EPA Method 3A)*

These tests were performed at the request of Mathews Cremation Division to prove compliance on the Power Pak II crematory incinerator. Orange County, Environmental Protection Division, representatives, Gregory Bryant, Ilka Bundy and John Casper audited the test.

2.0 SUMMARY OF RESULTS

The results of the emission testing are presented in the Test Summary. The Particulate emissions averaged 0.0549 grains per dry standard cubic foot (gr/dscf) and CO emissions averaged 2.2 parts per million (ppmv), each corrected to 7% O₂. Opacity, highest six-minute average, on the stack, was 0%.

3.0 SUMMARY OF TEST DATA

PLANT : BALDWIN

UNIT : POWER-PACK II

RUN NUMBERS : 1, 2, 3

TEST DATE :	5/5/05	#1	#2	#3	AVERAGES
DATE	5/5/05	5/5/05	5/5/05		
START TIME	10:32	13:05	15:27		
END TIME	11:50	14:09	16:29		
STACK DIAMETER (INCHES)	19.5	19.5	19.5		
NOZZLE DIAMETER (INCHES)	0.550	0.550	0.550		
TEST TIME (MINUTES)	60	60	60		
NUMBER OF TEST POINTS PER RUN	24	24	24		
STACK GAS TEMPERATURE (°F)	850.0	991.8	1128	989.9	
STACK GAS MOISTURE (%)	12.51	9.76	6.56		
STACK GAS MOLECULAR WEIGHT	28.50	28.83	29.21		
STACK GAS VOLUME SAMPLED (CUBIC FEET)	34.375	36.840	40.110	37.108	
VOLUME SAMPLED (SCF @ 68°F)	34.585	37.020	40.270	37.292	
STACK GAS VELOCITY (FEET PER SECOND)	18.14	17.30	19.75	18.39	
STACK GAS FLOW RATE (ACFM)	2257.0	2152.2	2457.7	2288.9	
STACK GAS FLOW RATE (DSCFM @ 68°F)	801.7	711.5	769.2	760.8	
OXYGEN, %	16.0	14.0	14.5		
PARTICULATE CONC (GR/DSCF) @7% O ₂	0.0359	0.1122	0.0165	0.0549	
PARTICULATE MASS RATE (LBS/HOUR)	0.0871	0.3396	0.0500	0.1589	
CO CONC @ 7% O ₂ , ppmv	1.42	2.01	3.26	2.23	
CO MASS RATE (LBS/HOUR)	0.00175	0.00310	0.00503	0.0033	
ISOKINETIC SAMPLING RATE, %I	90.4	109.0	109.7		

FIELD DATA AND SAMPLES UNDER THE CONTROL OF:

TIM CAPELLE

LABORATORY ANALYSIS UNDER THE CONTROL OF:

ATC

STATE OF FLORIDA

DEPARTMENT OF ENVIRONMENTAL PROTECTION

NORTHEAST DISTRICT

SUITE B200, 7825 BAYMEADOWS WAY
JACKSONVILLE FLORIDA 32256-7590

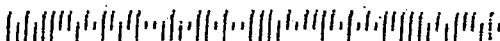


7007 3020 0000 4922 3023



PITNEY BOWES
\$ 07.09

02 1A
0004606466 SEP 26 20
MAILED FROM ZIP CODE 322



FDEP RECEIPTS
P.O. BOX 3070
TALLAHASSEE, FL 32315-3070

Florida Department of Environmental Protection
Cash Receiving Application (CRA)
Cashlisting by Deposit #: 291175 thru 291175
Printed: 9/30/2008 9:40:28 AM - Page 13

Cashlisting: 71213 Cashlist Area: 3755 Description: DIV OF AIR RESOURCES MGMT.
 Deposit No: 291175 Date Deposited: 09/29/2008 Contact: E. WALKER

Object	Transmittal	Dep DDN	Receipt Number	Pre-Numbered Receipt	Name	Check Number	Payment Amount	Reference Account	Payment Number	Remittance Number	Fund Grant
002272	50712	486038	638348		CLYMER CREMATIONS&FUNERAL HO	1811	\$100.00	0350024-001 10/10/2008 UCB	901870	797450	PFTF
Object Code 002272 Subtotal:							\$100.00				
002278	50712	486020	638330		CROSS CONSTRUCTION SERVICES, I	8263	\$300.00	50584	901855	797432	APCTF
	50712	486021	638331		LAKESHORE ENVIRO. CONTRACTORS	11942	\$600.00	50652	901856	797433	APCTF
	50712	486022	638332		DEGON	42114	\$200.00	50550	901857	797434	APCTF
	50712	486023	638333		COOPER AND ASSOCIATES	11804	\$200.00	50662	901858	797435	APCTF
	50712	486024	638334		SUNRISE SYSTEMS OF BREVARD, IN	037709	\$100.00	50571	901859	797436	APCTF
Object Code 002278 Subtotal:							\$1,400.00				
002303	50712	486037	638347		BROWARD COUNTY, BOCC	001148181	\$50.00	0112627	901963	797449	PFTF
Object Code 002303 Subtotal:							\$50.00				
002304	50712	486037	638347		BROWARD COUNTY, BOCC	001148181	\$500.00	0110038	901965	797449	PFTF
	50712	486037	638347		BROWARD COUNTY, BOCC	001148181	\$200.00	0111014	901966	797449	PFTF
Object Code 002304 Subtotal:							\$700.00				
002309	50712	486037	638347		BROWARD COUNTY, BOCC	001148181	\$20.00	0112709	901964	797449	PFTF
Object Code 002309 Subtotal:							\$20.00				

CLYMER CREMATIONS & FUNERAL HOME, INC.
Florida Dep. Of Environmental Protection

9/17/2008

1811

100.00

Putnam Checking

100.00