

**SURFACE COATING OPERATIONS
AIR GENERAL PERMIT REGISTRATION FORM**

Part II. Notification to Permitting Office

(Detach and submit to appropriate permitting office; keep copy onsite)

Instructions: To give notice to the Department of an eligible facility's intent to use this air general permit, the owner or operator of the facility must detach and complete this part of the Air General Permit Registration Form and submit it to the appropriate Department of Environmental Protection or local air pollution control program office which has permitting authority. Please type or print clearly all information, and enclose the appropriate air general permit registration processing fee pursuant to Rule 62-4.050, F.A.C. (\$100 as of the effective date of this form)

Registration Type

Check one:

INITIAL REGISTRATION - Notification of intent to:

- Construct and operate a proposed new facility.
- Operate an existing facility not currently using an air general permit (e.g., a facility proposing to go from an air operation permit to an air general permit).

RE-REGISTRATION (for facilities currently using an air general permit) - Notification of intent to:

- Continue operating the facility after expiration of the current term of air general permit use.
- Continue operating the facility after a change of ownership.
- Make an equipment change requiring re-registration pursuant to Rule 62-210.310(2)(e), F.A.C., or any other change not considered an administrative correction under Rule 62-210.310(2)(d), F.A.C.

0310564-001

Surrender of Existing Air Operation Permit(s) - For Initial Registrations Only

If the facility currently holds one or more air operation permits, such permit(s) must be surrendered by the owner or operator upon the effective date of this air general permit. In such case, check the first box, and indicate the operation permits being surrendered. If no air operation permits are held by the facility, check the second box.

- All existing air operation permits for this facility are hereby surrendered upon the effective date of this air general permit; specifically permit number(s): _____
- No air operation permits currently exist for this facility.

General Facility Information

Facility Owner/Company Name (Name of corporation, agency, or individual owner who or which owns, leases, operates, controls, or supervises the facility.)

UNITED STATES COAST GUARD (USCG) HITRON Jacksonville

Site Name (Name, if any, of the facility site; e.g., Plant A, Metropolis Plant, etc. If more than one facility is owned, a registration form must be completed for each.)

Cecil Field, Hangar 13

Facility Location (Provide the physical location of the facility, not necessarily the mailing address.)

Street Address: 13520 Aerospace Way

City: Jacksonville, Florida

County: Duval

Zip Code: 32221

Facility Start-Up Date (Estimated start-up date of proposed new facility.)(N/A for existing facility)

April 1, 2009

*** SEE ATTACHED ADDENDUM FOR
CORRECTED SIGNATURE PAGE.**

Owner/Authorized Representative

Name and Position Title (Person who, by signing this form below, certifies that the facility is eligible to use this air general permit.)

Print Name and Title: CDR Jonathan Duff

Owner/Authorized Representative Mailing Address

Organization/Firm: c/o USCG HITRON Jacksonville

Street Address: 13520 Aerospace Way

City: Jacksonville, Florida County: Duval Zip Code: 32221

Owner/Authorized Representative Telephone Numbers

Telephone: (904) 594-6874

Fax: (904) 594-6854

Cell phone (optional):

Facility Contact (If different from Owner/Authorized Representative)

Name and Position Title (Plant manager or person to be contacted regarding day-to-day operations at the facility.)

Print Name and Title: Senior Chief John Bush

Facility Contact Mailing Address

Organization/Firm: USCG HITRON Jacksonville

Street Address: 13520 Aerospace Way

City: Jacksonville, Florida County: Duval Zip Code: 32221

Facility Contact Telephone Numbers

Telephone: (904) 594-6819

Fax: (904) 594-6914

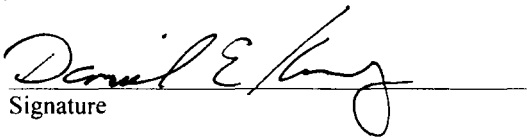
Cell phone (optional):

Owner/Authorized Representative Statement

This statement must be signed and dated by the person named above as owner or authorized representative

I, the undersigned, am the owner or authorized representative of the owner or operator of the facility addressed in this Air General Permit Registration Form. I hereby certify, based on information and belief formed after reasonable inquiry, that the facility addressed in this registration form is eligible for use of this air general permit and that the statements made in this registration form are true, accurate and complete. Further, I agree to operate and maintain the facility described in this registration form so as to comply with all applicable standards for control of air pollutant emissions found in the statutes of the State of Florida and rules of the Department of Environmental Protection and revisions thereof.

I will promptly notify the Department of any changes to the information contained in this registration form.


Signature

24 Feb 09
Date

*** ADDENDUM TO ORIGINAL APPLICATION**

DATED 03/02/09 - CORRECTED SIGNATURE PAGE.

D.P.W.

Owner/Authorized Representative

Name and Position Title (Person who, by signing this form below, certifies that the facility is eligible to use this air general permit)

Print Name and Title CDR Daniel E. Kenney

Owner/Authorized Representative Mailing Address

Organization/Firm: c/o USCG HETRON Jacksonville

Street Address: 13520 Aerospace Way

City: Jacksonville, Florida County: Duval Zip Code: 32221

Owner/Authorized Representative Telephone Numbers

Telephone: (904) 594-6874

Fax: (904) 594-6854

Cell phone (optional):

Facility Contact (If different from Owner/Authorized Representative)

Name and Position Title (Plant manager or person to be contacted regarding day-to-day operations at the facility)

Print Name and Title Senior Chief John Bush

Facility Contact Mailing Address

Organization/Firm: USCG HETRON Jacksonville

Street Address: 13520 Aerospace Way

City: Jacksonville, Florida County: Duval Zip Code: 32221

Facility Contact Telephone Numbers

Telephone: (904) 594-6819

Fax: (904) 594-6914

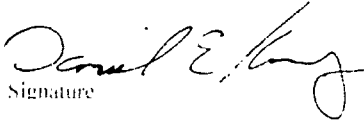
Cell phone (optional):

Owner/Authorized Representative Statement

This statement must be signed and dated by the person named above as owner or authorized representative

I, the undersigned, am the owner or authorized representative of the owner or operator of the facility addressed in this Air General Permit Registration Form. I hereby certify, based on information and belief formed after reasonable inquiry, that the facility addressed in this registration form is eligible for use of this air general permit and that the statements made in this registration form are true, accurate and complete. Further, I agree to operate and maintain the facility described in this registration form so as to comply with all applicable standards for control of air pollutant emissions found in the statutes of the State of Florida and rules of the Department of Environmental Protection and revisions thereof.

I will promptly notify the Department of any changes to the information contained in this registration form.


Signature

24 Feb 09
Date

Material Usage Rates

If this is an **initial registration** for a surface coating operation, provide an estimate of the average quantity of volatile organic compounds in all coatings (solvents and thinners) expected to be used on a daily basis.

SEE ATTACHMENT

If this is a **re-registration** for an existing surface coating operation, provide the highest monthly average of the daily quantity of volatile organic compounds in all coatings (solvents and thinners) used in the last five years. Indicate the month and year during which this usage occurred.

N/A

Description of Facility

Below, or as an attachment to this form, provide a description of the surface coating operations at the facility in sufficient detail to demonstrate the facility's eligibility for use of this air general permit and to provide a basis for tracking any future equipment or process changes at the facility. Describe all air pollutant-emitting processes and equipment at the facility, and identify any air pollution control measures or equipment used.

SEE ATTACHMENT & CONSTRUCTION DRAWINGS

United States Coast Guard (USCG) Maintenance Facility
Cecil Commerce Center
Jacksonville, Florida

ATTACHMENT TO AIR GENERAL PERMIT REGISTRATION FORM

I. THEORETICAL POTENTIAL TO EMIT (TPE)

Summary

Surface Coating Operations
Single-Space Paint Spray Booth (nom. 8'X8')
High-Solids Low VOC-compliant coatings
No coatings containing HAP's or regulated pollutants

Operating Time Spraying Cycle

Preparation of each item requires approximately two (2) hours.
Spray painting time for each item requires approximately two (2) hours.
Drying time for each item is approximately one (1) hour.
Handling of each each item aftering sraying requires approx. one (1) hour.
For every six (6) hours of time in the spray booth, approx. two (2) hours are used for spraying.
Assuming 24-hour/day operation, eight (8) hours per day are used for spraying.
Total potential spraying time in one calendar year = $365 \times 8 = 2,920$ hours.

Spraying Capacity

One (1) Spray Gun is capable of spraying approx. four (4) gallons per hour when spraying

VOC Content of Coatings Used

VOC Content of coating materials used is < 450 g/l, or approx. 3.75 lb/gal.

Theoretical Potential to Emit (TPE)

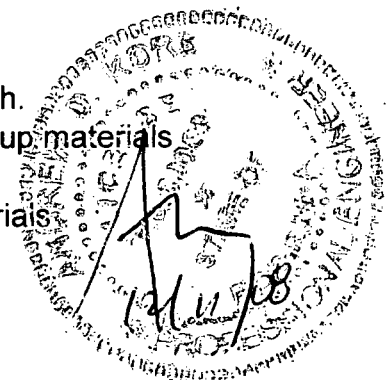
$TPE = 4.0 \text{ gals/hr.} \times 2,920 \text{ hrs./yr} \times 3.75 \text{ lb./gal} = 43,800 \text{ lbs. VOC's}$
 $= 21.9 \text{ tons per year (TPY)}$

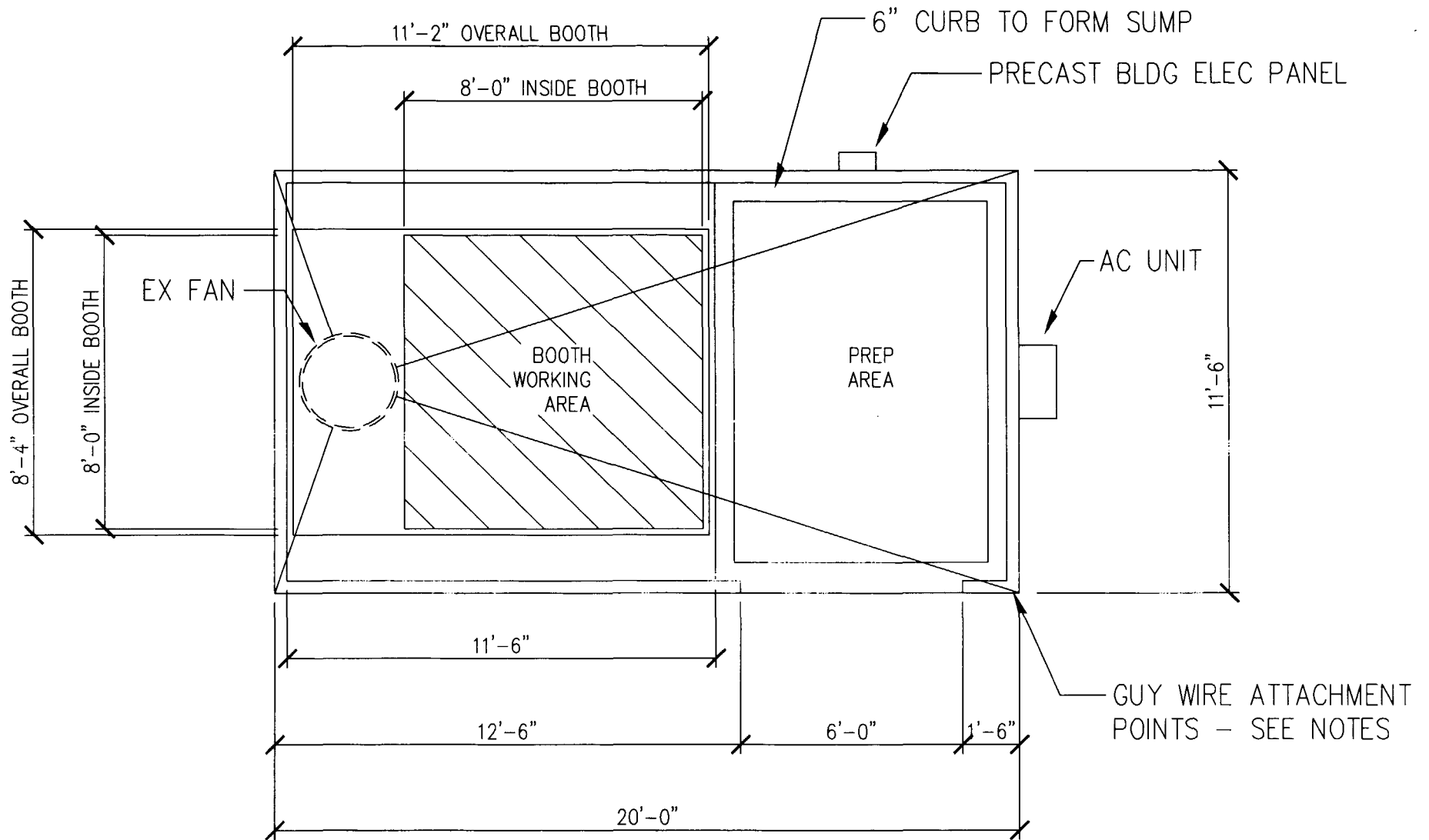
II. AVERAGE DAILY VOC EMISSIONS

Twenty-two (2) uses of spray booth per month (average of once each operating day)
Two (2) hours of spraying x 4 gal/hr. x 22 uses = 176 gals of coating materials
 $176 \text{ gals} \times 3.75 \text{ lb/gal} = 660 \text{ lb/month VOC content of coating materials}$

Estimated usage of solvents for preparation, cleanup est'd at 10 gals/month.
Ten (1)) gals/month x 8.0 lb/gal = 80 lb/month VOC content of prep, cleanup materials

$660 \text{ lb/month VOC in coatings} + 80 \text{ lb/month VOC in prep \& cleanup materials}$
 $740 \text{ lb/month} = 28 \text{ lb/day VOC emissions}$





FLOOR PLAN

SCALE: 1/4" = 1'-0"

LETTER OF TRANSMITTAL

KORB ENGINEERING OF FLORIDA, INC.
P.O. Box 1682
Ponte Vedra Beach, FL 32004
(904) 285-8380 / FAX (904) 285-8529

DATE: 2/26/09
PROJECT: Hangar 13, USCG
Cecil Field
LOCATION: Jacksonville, Florida

To: FDEP
Receipts
P.O. Box 3070
Tallahassee, FL 32315-3070

Att'n: Air General Permit Program

We are sending the following:

Copies	Date	Description
1		Air General Permit Registration Form, US Coast Guard, Cecil Commerce Center, Jacksonville, Florida
1		Check for \$100.00, made payable to FDEP

Please call me if you have any questions.

Sincerely,



Andrew D. Korb, PE
/mjs

cc: Milton J. Wood Company
3805 Faye Rd.
Jacksonville, FL 32226

Att'n: Mr. Chris Timpe



Jacksonville FL P&DC 322

THU 26 FEB 2009 PM



KORB ENGINEERING OF FLORIDA
P.O. Box 1682
Ponte Vedra Beach, FL 32004



FDEP
Receipts
P.O. Box 3070
Tallahassee, FL 32315-3070

Att'n: Air General Permit Program