

**HUMAN CREMATORY
AIR GENERAL PERMIT REGISTRATION FORM**

Part II. Notification to Permitting Office

(Detach and submit to appropriate permitting office; keep copy onsite)

Instructions: To give notice to the Department of an eligible facility's intent to use this air general permit, the owner or operator of the facility must detach and complete this part of the Air General Permit Registration Form and submit it to the appropriate Department of Environmental Protection or local air pollution control program office which has permitting authority. Please type or print clearly all information, and enclose the appropriate air general permit registration processing fee pursuant to Rule 62-4.050(4)(o), F.A.C. (\$100 as of the effective date of this form)

Registration Type

Check one:

INITIAL REGISTRATION - Notification of intent to:

- Construct and operate a proposed new facility.
 Operate an existing facility not currently using an air general permit (e.g., a facility proposing to go from an air operation permit to an air general permit).

RE-REGISTRATION (for facilities currently using an air general permit) - Notification of intent to:

- Continue operating the facility after expiration of the current term of air general permit use.
 Continue operating the facility after a change of ownership.
 Make an equipment change requiring re-registration pursuant to Rule 62-210.310(2)(e), F.A.C., or any other change not considered an administrative correction under Rule 62-210.310(2)(d), F.A.C.

0150098-001

Surrender of Existing Air Operation Permit(s) - For Initial Registrations Only

If the facility currently holds one or more air operation permits, such permit(s) must be surrendered by the owner or operator upon the effective date of this air general permit. In such case, check the first box, and indicate the operation permits being surrendered. If no air operation permits are held by the facility, check the second box.

- All existing air operation permits for this facility are hereby surrendered upon the effective date of this air general permit; specifically permit number(s): _____
 No air operation permits currently exist for this facility.

General Facility Information

Facility Owner/Company Name (Name of corporation, agency, or individual owner who or which owns, leases, operates, controls, or supervises the facility.)

ENGLEWOOD COMMUNITY FUNERAL HOME

Site Name (Name, if any, of the facility site; e.g., Plant A, Metropolis Plant, etc. If more than one facility is owned, a registration form must be completed for each.)

Facility Location (Provide the physical location of the facility, not necessarily the mailing address.)

Street Address: **3070 SOUTH MCCALL RD.**

City: **ENGLEWOOD**

County: **CHARLOTTE**

Zip Code: **34224**

Facility Start-Up Date (Estimated start-up date of proposed new facility.) (N/A for existing facility)

/2/15/09

Owner/Authorized Representative

Name and Position Title (Person who, by signing this form below, certifies that the facility is eligible to use this air general permit.)

Print Name and Title: **JOANN VERNA, PRESIDENT**

Owner/Authorized Representative Mailing Address

Organization/Firm: **ENGLEWOOD COMMUNITY FUNERAL HOME**

Street Address: **3070 SOUTH MCCALL RD.**

City: **ENGLEWOOD**

County: **CHARLOTTE**

Zip Code: **34224**

Owner/Authorized Representative Telephone Numbers

Telephone: **941-475-9800**

Fax: **941-475-8690**

Cell phone (optional):

Facility Contact (If different from Owner/Authorized Representative)

Name and Position Title (Plant manager or person to be contacted regarding day-to-day operations at the facility.)

Print Name and Title: **SAME AS ABOVE**

Facility Contact Mailing Address

Organization/Firm:

Street Address:

City:

County:

Zip Code:

Facility Contact Telephone Numbers

Telephone:

Fax:

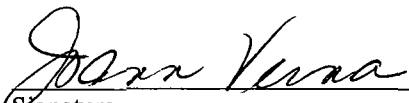
Cell phone (optional):

Owner/Authorized Representative Statement

This statement must be signed and dated by the person named above as owner or authorized representative

I, the undersigned, am the owner or authorized representative of the owner or operator of the facility addressed in this Air General Permit Registration Form. I hereby certify, based on information and belief formed after reasonable inquiry, that the facility addressed in this registration form is eligible for use of this air general permit and that the statements made in this registration form are true, accurate and complete. Further, I agree to operate and maintain the facility described in this registration form so as to comply with all applicable standards for control of air pollutant emissions found in the statutes of the State of Florida and rules of the Department of Environmental Protection and revisions thereof.

I will promptly notify the Department of any changes to the information contained in this registration form.


Signature

PRESIDENT

6/11/09
Date

Design Calculations

If this is an initial registration for a proposed new human crematory unit, provide design calculations to confirm a sufficient volume in the secondary chamber combustion zone to provide for at least a 1.0 second gas residence time at 1800 degrees F.

- Manufacturer's' design calculations attached.
- Registration is not for proposed new human crematory unit(s).

Description of Facility

Below, or as an attachment to this form, provide a description of all crematory operations at the facility in sufficient detail to demonstrate the facility's eligibility for use of this air general permit and to provide a basis for tracking any future equipment or process changes at the facility. Describe all air pollutant-emitting processes and equipment at the facility, and identify any air pollution control measures or equipment used.

This notification is for installation of a new B&L Cremation Systems, Inc. N20 Series , 150 lb/hr human crematory incinerator. There are no other existing crematories at this location

The new crematory is designed to burn human remains at the average incineration rate of 150 pounds per hour. The incinerator consists of primary and secondary (afterburner) chambers, with a maximum total design heat input rate of 1.5 mmbtu/hr (0.5 mmbtu/hr. Primary chamber, 1.0 mmbtu/hr. Secondary chamber).

Emissions are controlled by the afterburner, which will maintain a minimum secondary chamber combustion zone temperature of 1600°F prior to and during combustion of material in the primary chamber. The secondary chamber is designed to ensure one second residence time at a gas temperature of 1800°F, and is equipped with a continuous temperature monitor and recorder.

The unit is equipped with an opacity monitor that will adjust the cremation process if excess opacity is measured. Crematory and opacity monitor information is attached.

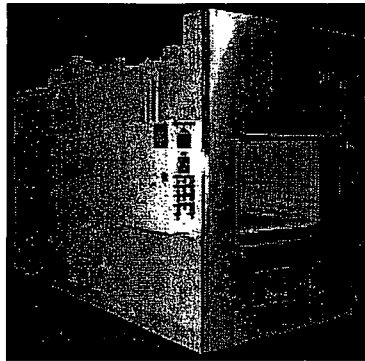
6/17/09-LPG FIRED PER CONVERSATION W/OAR JOANN VERNA
D. KIRK

**CREMATORY AND OPACITY
MONITOR INFORMATION**



Human Cremation

Below is the information about our N20 Series cremation retorts.



N20 - Specifications

Dimensions:
Height 8'-6"
Width 5'-6"
Length 12'-0"

Weight: 24,000 lbs.

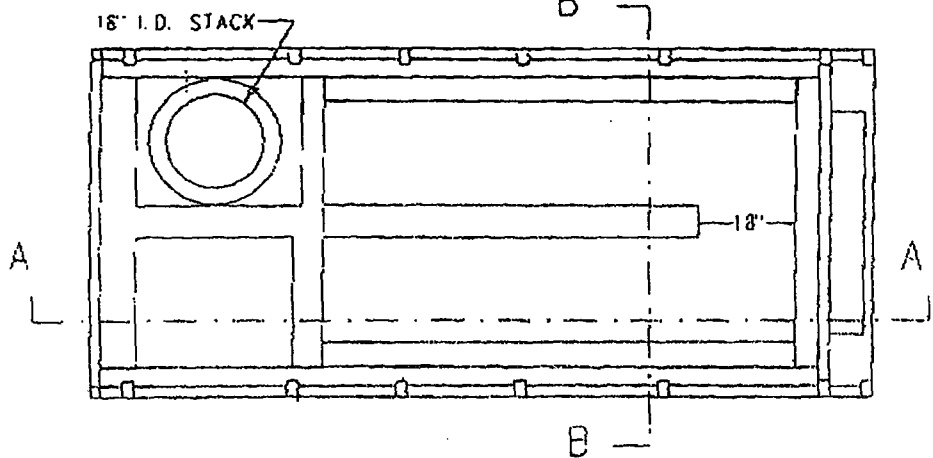
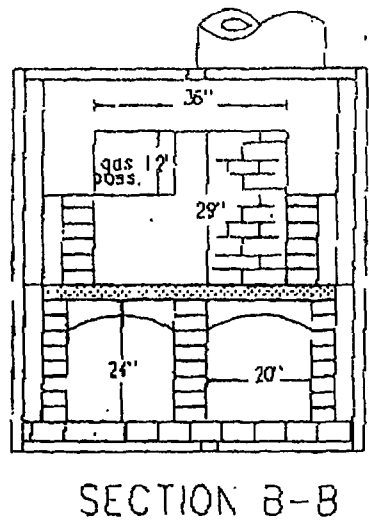
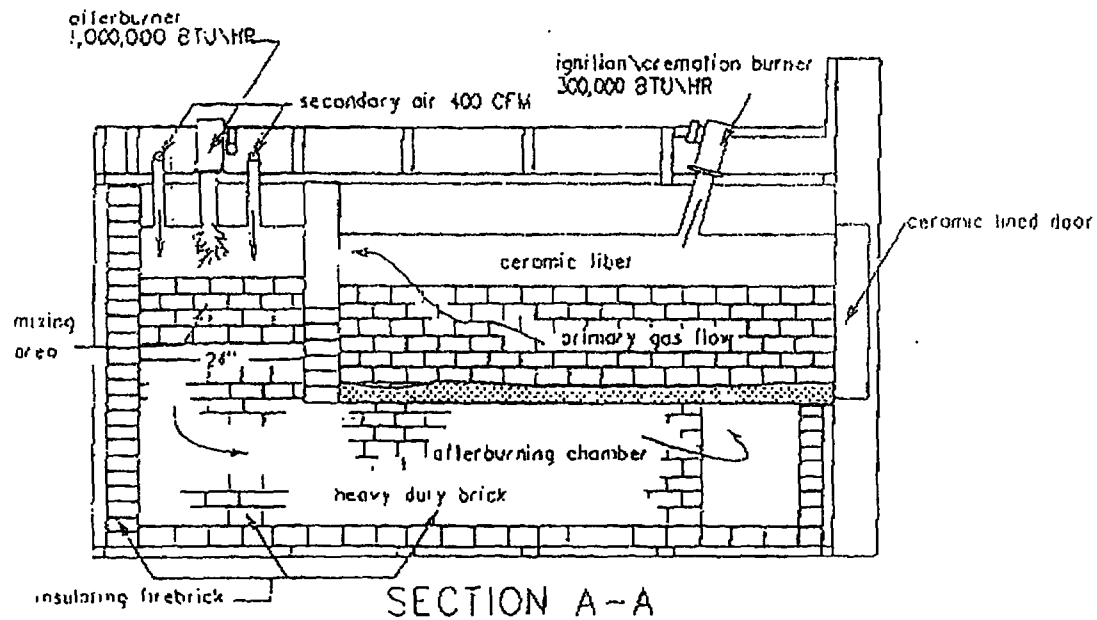
Power Requirements:
220V, 1 Phase, 30 AMPS
110V, 1 Phase, 10 AMPS

Gas Pressure:
Natural Gas 7" W.C.
Propane Gas 11" W.C.

Cremation Rate: 150 lbs/hour

Burner Output:
Maximum Input Rating 1,500,000 BTU's per hour
Afterburner Maximum 1,000,000 BTU's per hour
(Full Modulation 100%)
Ignition Burner 300,000 BTU's per hour
Cremation Burner 500,000 BTU's per hour

Air Requirements: Outside air inlet louvers in the room
located at or below burner height, capable of passing 2,500 CFM of free
air.



ALL COMPONENTS U.L. AND/OR A.G.A. APPROVED
C.S.A. - C.G.A.

N20 CREMATOR

B&L CREMATION SYSTEMS, INC.

GENERAL PURPOSE OPACITY MONITOR

SPECIFICATIONS

LIGHT SOURCE: Pulsed visible LED

SPECTRAL RESPONSE: Between 400nm and 500 nm

ANGLE OF VIEW: Less than 4 degrees from axis

AMBIENT LIGHT: No measurable effect

MAXIMUM DISTANCE BETWEEN MONITOR AND REFLECTOR: 6 feet

MONITOR TYPE: Retro reflective using a 3" reflector

ADJUSTMENT RANGE: 0 TO 100% opacity

ACCURACY: +/- 3% of full scale

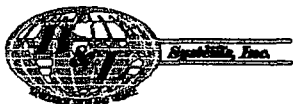
POWER: 24 VAC, less than 10 VA

OUTPUT: Relay, DPDT, 5.0 A @ 102 VAC
LED Indicator for sensitivity adjustment

TEMPERATURE: Storage, -7 degrees to 32 degrees C
Operating: -29 degrees to 66 degrees C

PHYSICAL: 8.000"H x 5.750"W x 3.375"D

ENCLOSURE: Meets NEMA 3, 4 and 12 specs



OPACITY MONITOR ADJUSTMENT PROCEDURE

The following procedure may be necessary to be performed from time to time due to vibration on the top of the retort. This procedure is designed to be both simple and quick, and to insure the proper operation of your retort.

It is suggested that before starting, this procedure be carefully read, and if you have any questions, call the service department at B&L Cremation Systems. A service technician will be happy to answer any questions or assist you with the alignment/adjustment of your opacity monitor.

The best time to perform this procedure is on a cool retort.

Please check the cleanliness of the opacity monitor lens and reflector. Inspect the reflector for any damage, replacing it as necessary.

You will need the following tools.

6" adjustable wrench

7/16" wrench

A Phillips screwdriver

A small straight slot screwdriver

6' to 8' stepladder

- Step 1. Open the electrical cabinet located on your retort. Inside, locate the "C1 BLOWER" contractor. At the bottom of the contractor, from left to right, you will see a red "STOP" button. To the right of this is a blue "RESET" button. Above this is a "TEST" slot (see fig. 1).
- Step 2. Turn on the retort with the main timer set to zero. The "Cool Down" lamp should be illuminated.
- Step 4. Next, it will be necessary to get on top of the retort. Inspect the opacity monitor, locating the red alignment L.E.D. and the sensitivity adjustment (see fig. 2). The red L.E.D. should be lit, and by passing your hand in front of the lens you should be able to hear the opacity monitor click. If you are experiencing minor nuisance tripping of the opacity system, turn the sensitivity adjustment CLOCKWISE approximately 1/8 turn. This should correct the problem. Now press the round blue "RESET" button located on the "C1 BLOWER" contractor in the electrical cabinet. Your retort is now ready to operate. If, however, the red L.E.D. is not illuminated or you do not hear the clicking when you pass your hand in front of the monitor, proceed to step 5.
- Step 5: Turn the sensitivity adjustment FULLY CLOCKWISE. Loosen the two mounting bolts hold the opacity monitor. By slowly moving the opacity monitor (left or right, forward or backward), obtain the maximum brightness possible for the L.E.D. Carefully tighten one of the mounting bolts, using shims as necessary, then snug the remaining bolt. Do NOT tighten this bolt. Turn the sensitivity adjustment COUNTERCLOCKWISE until the monitor clicks. Turn the sensitivity adjustment CLOCKWISE until you hear the monitor click again, then continue CLOCKWISE an additional 1/8 turn. The opacity monitor is now correctly set. Press the round blue "RESET" button on the C1 BLOWER contractor, completing the alignment procedure. Please note: if the circuit board is black, counterclockwise and clockwise are reversed. Counterclockwise will be clockwise and clockwise will be counterclockwise.

If the L.E.D. does not illuminate, or if the monitor does not click, please contact the service department at B&L Cremations Systems to further assist you.



OPACITY MONITOR ADJUSTMENT PROCEDURE

FIGURE 1 "C1 BLOWER"

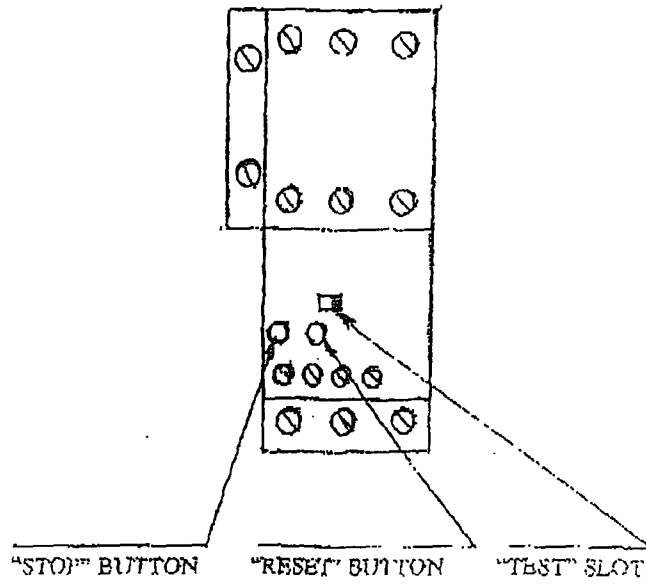
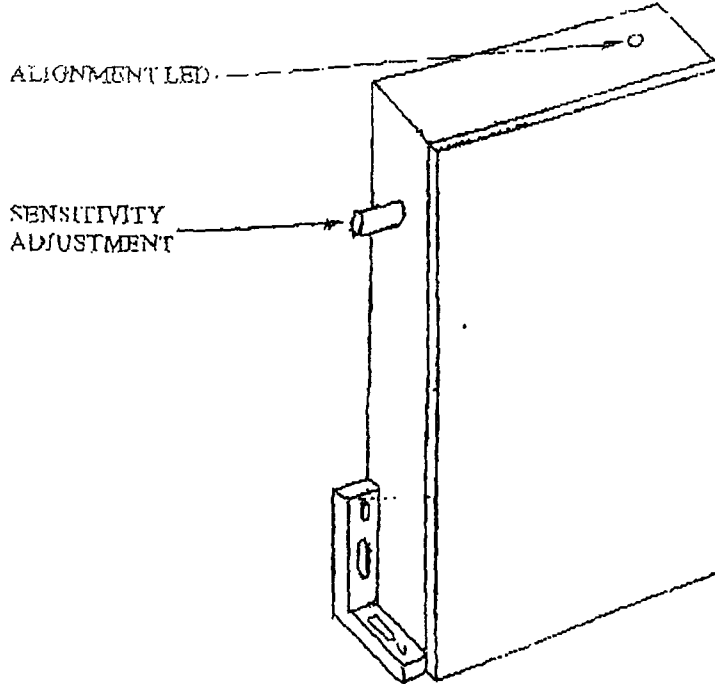
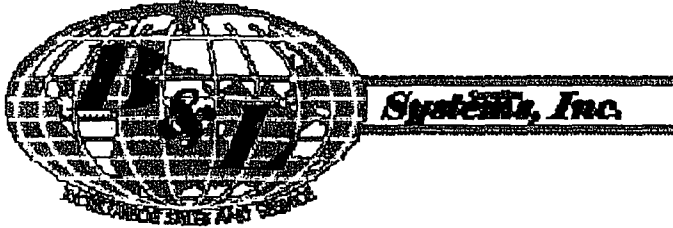


FIGURE 2, OPACITY MONITOR





7205 114TH Avenue North • Largo, Florida 33773
1-800-622-5411 • 727-541-4666 • Facsimile 727-547-0669

TEMPERATURE CONTROL SEQUENCE

A type "K" thermocouple is placed 19 – 20 ft³ downstream of the afterburner flame tip to measure temperature. The downstream distance is determined based on residence time calculations. The temperature signal is sent to the main control panel where it is received by a FUJI PYZ series temperature controller with a digital readout and a Honeywell DR4200 temperature recorder. The temperature controller controls the temperature via a motorized butterfly valve located on the afterburner inlet gas assembly. Gas demand is controlled to maintain a steady temperature. The ignition/cremation burner is interlocked to the afterburner temperature by the temperature controller set point. Combustion cannot start until temperature set point is reached. Alarm contacts in the temperature controller are utilized for over (high) temperature conditions. 100° F over set point the afterburner will be in maximum low fire and the ignition/cremation burner will shut off. The butterfly valve located on the secondary air inlet is controlled by a separate temperature output to add air to cool the system. At set point the unit will return to normal operation. An optimonitor smoke detector is placed on the stack and set at 10% opacity. If emissions occur the alarm will sound, a visual red warning lamp located on the control panel will illuminate and the primary burners will shut off. The excess air butterfly valve will open to add air to the secondary chamber to oxidize the emissions. After a five (5) minute period the unit will revert to normal operations.

RESIDENCE TIME CALCULATIONS

**CALCULATIONS FOR PRODUCTS OF COMBUSTION
AND RESIDENCE TIME FOR
B & L CREMATION SYSTEMS N20 SERIES,
LPG FIRED,
150 LB/HR, TYPE IV WASTE, HUMAN CREMATORY**

A. BASIS: 1 LB WASTE

1. $\frac{1 \text{ lb waste} \times 1000 \text{ Btu/lb waste}}{10,000 \text{ Btu} / 15 \text{ lb air}} = 1.5 \text{ lbs air}$
2. $\frac{1 \text{ lb waste} \times 0.10 \text{ lb combustible}}{\text{lb waste}} = 0.10 \text{ lbs of combustibles}$
3. $\frac{1 \text{ lb waste} \times 0.85 \text{ lb H}_2\text{O} \times 1.6^{(1)}}{\text{lb waste}} = 1.36 \text{ lbs of water}$
4. $\frac{6500 \text{ Btu aux fuel}^{(2)} \times 23.8 \text{ ft}^3 \text{ air/ft}^3 \text{ fuel}}{2500 \text{ Btu/ft}^3 \text{ fuel} \times 13.35 \text{ ft}^3 \text{ air/lb air}_{@70^\circ\text{F}}} = 4.64 \text{ lb of air for aux fuel}$
5. $\frac{6500 \text{ Btu aux fuel} \times 0.044 \text{ lb fuel/ft}^3 \text{ fuel}}{2500 \text{ Btu/ft}^3 \text{ fuel}} = 0.11 \text{ lb of aux. fuel}$
6. Sum = PRODUCTS OF COMBUSTION (POC) = 7.71 LBS POC PER
LB OF WASTE @ 70 °F

B. RESIDENCE TIME @ 1800 °F

$$\frac{7.71 \text{ lb POC/lb waste} \times 56.93 \text{ ft}^3/\text{lb POC}_{@1800^\circ\text{F}} \times 150 \text{ lb waste/hr}}{3600 \text{ sec/hr}}$$

$$= 18.1 \text{ ft}^3/\text{sec}_{@1800^\circ\text{F}}$$

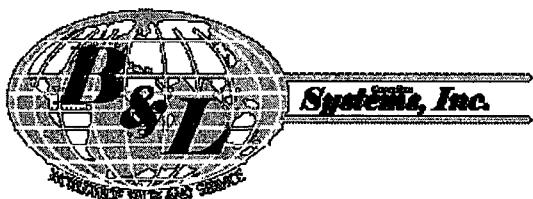
$$= 18.1 \text{ ft}^3 \text{ for 1 second residence time}$$

Thermocouple placement at: 19 ft³
Secondary chamber operating temperature $\geq 1600^\circ\text{F}$

(1) Correction multiplier for dry air and water vapor

(2) Fuel is natural gas

References: Incinerator Institute of America
North American Combustion Handbook



**AIR GENERAL
PERMIT REGISTRATION**

**ENGLEWOOD COMMUNITY
FUNERAL HOME**

HUMAN CREMATORY

SES Reference No. 09P236

Prepared For:

ENGLEWOOD COMMUNITY
FUNERAL HOME
3070 South McCall Rd.
Englewood, Florida 34224

Prepared By:

SOUTHERN ENVIRONMENTAL
SCIENCES, INC.
1204 North Wheeler Street
Plant City, Florida 33566

REGISTRATION FORM



[Home](#)
 [Contact Us](#)
 [E-Filing Services](#)
 [Document Searches](#)
 [Forms](#)
 [Help](#)

[Previous on List](#)
 [Next on List](#)
 [Return To List](#)
 [Entity Name Search](#)

[No Events](#)
 [No Name History](#)

Detail by Entity Name

Florida Profit Corporation

ENGLEWOOD COMMUNITY FUNERAL HOME, INC.

Filing Information

Document Number P93000023758
FEI/EIN Number 650395134
Date Filed 03/30/1993
State FL
Status ACTIVE

Principal Address

3070 S MCCALL ROAD
ENGLEWOOD FL 34224 US

Changed 05/05/1997

Mailing Address

3070 S MCCALL ROAD
ENGLEWOOD FL 34224 US

Changed 05/05/1997

Registered Agent Name & Address

DUNKIN, DAVID A PA
170 W. DEARBORN STREET
ENGLEWOOD FL 34223 US

Name Changed: 05/17/1993

Address Changed: 05/17/1993

Officer/Director Detail

Name & Address

Title P

VERNA, JO-ANN
3070 S. MCCALL ROAD
ENGLEWOOD FL 34224

Annual Reports

Report Year Filed Date

2007	01/11/2007
2008	01/25/2008
2009	01/06/2009

Document Images

01/06/2009 -- ANNUAL REPORT	View image in PDF format
01/25/2008 -- ANNUAL REPORT	View image in PDF format
01/11/2007 -- ANNUAL REPORT	View image in PDF format
01/27/2006 -- ANNUAL REPORT	View image in PDF format
02/03/2005 -- ANNUAL REPORT	View image in PDF format
01/29/2004 -- ANNUAL REPORT	View image in PDF format
01/10/2003 -- ANNUAL REPORT	View image in PDF format
02/01/2002 -- ANNUAL REPORT	View image in PDF format
01/31/2001 -- ANNUAL REPORT	View image in PDF format
02/05/2000 -- ANNUAL REPORT	View image in PDF format
01/29/1999 -- ANNUAL REPORT	View image in PDF format
01/20/1998 -- ANNUAL REPORT	View image in PDF format
05/05/1997 -- ANNUAL REPORT	View image in PDF format
04/08/1996 -- ANNUAL REPORT	View image in PDF format
03/24/1995 -- ANNUAL REPORT	View image in PDF format

Note: This is not official record. See documents if question or conflict.

[Previous on List](#)

[Next on List](#)

[Return To List](#)

Entity Name Search

No Events

No Name History

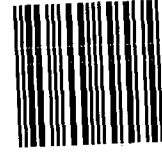
[| Home](#) | [Contact us](#) | [Document Searches](#) | [E-Filing Services](#) | [Forms](#) | [Help](#) |

Copyright and Privacy Policies
Copyright © 2007 State of Florida, Department of State.

Englewood Community Funeral Home &
Cremation Service
3070 South McCall Road
Englewood, Florida 34224



1000

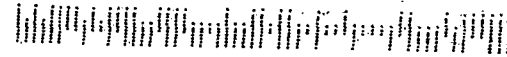


32315

U.S. POSTAGE
PAID
ENGLEWOOD, FL
34223
JUN 11, '09
AMOUNT

\$1.22

00080101-05



FLORIDA DEPT. OF ENVIRONMENTAL
PROTECTION
RECEIPTS
Post Office Box 3070
Tallahassee, Florida

32315-3070