

RECEIVED
MAR 11 2010
Bureau of Air Management
& Mobile Sources

HUMAN CREMATORY AIR GENERAL PERMIT REGISTRATION FORM

Part II. Notification to Permitting Office

(Detach and submit to appropriate permitting office; keep copy onsite)

Instructions: To give notice to the Department of an eligible facility's intent to use this air general permit, the owner or operator of the facility must detach and complete this part of the Air General Permit Registration Form and submit it to the appropriate Department of Environmental Protection or local air pollution control program office which has permitting authority. Please type or print clearly all information, and enclose the appropriate air general permit registration processing fee pursuant to Rule 62-4.050(4)(o), F.A.C. (\$100 as of the effective date of this form)

0112149-004

Registration Type

Check one:

INITIAL REGISTRATION - Notification of intent to:

- Construct and operate a proposed new facility.
- Operate an existing facility not currently using an air general permit (e.g., a facility proposing to go from an air operation permit to an air general permit).

RE-REGISTRATION (for facilities currently using an air general permit) - Notification of intent to:

- Continue operating the facility after expiration of the current term of air general permit use.
- Continue operating the facility after a change of ownership.
- Make an equipment change requiring re-registration pursuant to Rule 62-210.310(2)(e), F.A.C., or any other change not considered an administrative correction under Rule 62-210.310(2)(d), F.A.C.

Surrender of Existing Air Operation Permit(s) - For Initial Registrations Only

If the facility currently holds one or more air operation permits, such permit(s) must be surrendered by the owner or operator upon the effective date of this air general permit. In such case, check the first box, and indicate the operation permits being surrendered. If no air operation permits are held by the facility, check the second box.

- All existing air operation permits for this facility are hereby surrendered upon the effective date of this air general permit; specifically permit number(s): _____
- No air operation permits currently exist for this facility.

General Facility Information

Facility Owner/Company Name (Name of corporation, agency, or individual owner who or which owns, leases, operates, controls, or supervises the facility.)

Fred Hunter Memorial Services, Inc

Site Name (Name, if any, of the facility site; e.g., Plant A, Metropolis Plant, etc. If more than one facility is owned, a registration form must be completed for each.)

Crematory Facility - Fred Hunter Crematory

Facility Location (Provide the physical location of the facility, not necessarily the mailing address.)

Street Address: 6301 Taft St
City: Hollywood County: Broward Zip Code: 33024 -5934

Facility Start-Up Date (Estimated start-up date of proposed new facility.) (N/A for existing facility)

April 15, 2010

Owner/Authorized Representative

<u>Name and Position Title</u> (Person who, by signing this form below, certifies that the facility is eligible to use this air general permit.) Print Name and Title: Jeff D Casey - General Manager		
<u>Owner/Authorized Representative Mailing Address</u> Organization/Firm: Fred Hunter Memorial Services, Inc Street Address: 6301 Taft St City: Hollywood County: Broward Zip Code: 33024-5934		
<u>Owner/Authorized Representative Telephone Numbers</u> Telephone: 954-965-1663 Fax: 954-965-1628 Cell phone (optional): 954-260-3500		

Facility Contact (If different from Owner/Authorized Representative)

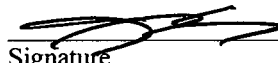
<u>Name and Position Title</u> (Plant manager or person to be contacted regarding day-to-day operations at the facility.) Print Name and Title: Raymond J Koterba - Crematory Manager		
<u>Facility Contact Mailing Address</u> Organization/Firm: Fred Hunter Memorial Services, Inc Street Address: 6301 Taft St City: Hollywood County: Broward Zip Code: 33024		
<u>Facility Contact Telephone Numbers</u> Telephone: 954-965-1666 Fax: 954-965-1660 Cell phone (optional): 954-260-3070		

Owner/Authorized Representative Statement

This statement must be signed and dated by the person named above as owner or authorized representative

I, the undersigned, am the owner or authorized representative of the owner or operator of the facility addressed in this Air General Permit Registration Form. I hereby certify, based on information and belief formed after reasonable inquiry, that the facility addressed in this registration form is eligible for use of this air general permit and that the statements made in this registration form are true, accurate and complete. Further, I agree to operate and maintain the facility described in this registration form so as to comply with all applicable standards for control of air pollutant emissions found in the statutes of the State of Florida and rules of the Department of Environmental Protection and revisions thereof.

I will promptly notify the Department of any changes to the information contained in this registration form.

Signature  _____ Date 3/06/10 _____

Design Calculations

If this is an initial registration for a proposed new human crematory unit, provide design calculations to confirm a sufficient volume in the secondary chamber combustion zone to provide for at least a 1.0 second gas residence time at 1800 degrees F.

- Manufacturer's' design calculations attached.
- Registration is not for proposed new human crematory unit(s).

Description of Facility

Below, or as an attachment to this form, provide a description of all crematory operations at the facility in sufficient detail to demonstrate the facility's eligibility for use of this air general permit and to provide a basis for tracking any future equipment or process changes at the facility. Describe all air pollutant-emitting processes and equipment at the facility, and identify any air pollution control measures or equipment used.

Installation of new Super-Power-Pak-III-human-crematory unit at existing facility.
See attached process flow diagram.

*ADDENDUM TO

RECEIVED

RECEIVED

#0112149-004

MAR 09 2010

MAR 11 2010

PAGES 7 of 9
1
ll

HUMAN CREMATORY
AIR GENERAL PERMIT REGISTRATION FORM

Bureau of
& Mobile Services

Part II. Notification to Permitting Office

(Detach and submit to appropriate permitting office; keep copy onsite)

Instructions: To give notice to the Department of an eligible facility's intent to use this air general permit, the owner or operator of the facility must detach and complete this part of the Air General Permit Registration Form and submit it to the appropriate Department of Environmental Protection or local air pollution control program office which has permitting authority. Please type or print clearly all information, and enclose the appropriate air general permit registration processing fee pursuant to Rule 62-4.050(4)(o), F.A.C. (\$100 as of the effective date of this form)

0112149-004

Registration Type

Check one:

INITIAL REGISTRATION - Notification of intent to:

- Construct and operate a proposed new facility.
- Operate an existing facility not currently using an air general permit (e.g., a facility proposing to go from an air operation permit to an air general permit).

RE-REGISTRATION (for facilities currently using an air general permit) - Notification of intent to:

- Continue operating the facility after expiration of the current term of air general permit use.
- Continue operating the facility after a change of ownership.
- Make an equipment change requiring re-registration pursuant to Rule 62-210.310(2)(e), F.A.C., or any other change not considered an administrative correction under Rule 62-210.310(2)(d), F.A.C.

Surrender of Existing Air Operation Permit(s) - For Initial Registrations Only

If the facility currently holds one or more air operation permits, such permit(s) must be surrendered by the owner or operator upon the effective date of this air general permit. In such case, check the first box, and indicate the operation permits being surrendered. If no air operation permits are held by the facility, check the second box.

- All existing air operation permits for this facility are hereby surrendered upon the effective date of this air general permit; specifically permit number(s): _____
- No air operation permits currently exist for this facility.

General Facility Information

Facility Owner/Company Name (Name of corporation, agency, or individual owner who or which owns, leases, operates, controls, or supervises the facility.)

Fred Hunter Memorial Services, Inc

Site Name (Name, if any, of the facility site; e.g., Plant A, Metropolis Plant, etc. If more than one facility is owned, a registration form must be completed for each.)

Crematory Facility - Fred Hunter Crematory

Facility Location (Provide the physical location of the facility, not necessarily the mailing address.)

Street Address: 6301 Taft St

City: Hollywood

County: Broward

Zip Code: 33024 - 5934

Facility Start-Up Date (Estimated start-up date of proposed new facility.) (N/A for existing facility)

April 15, 2010

Design Calculations

If this is an initial registration for a proposed new human crematory unit, provide design calculations to confirm a sufficient volume in the secondary chamber combustion zone to provide for at least a 1.0 second gas residence time at 1800 degrees F.

- Manufacturer's design calculations attached.
 Registration is not for proposed new human crematory unit(s).

Description of Facility

Below, or as an attachment to this form, provide a description of all crematory operations at the facility in sufficient detail to demonstrate the facility's eligibility for use of this air general permit and to provide a basis for tracking any future equipment or process changes at the facility. Describe all air pollutant-emitting processes and equipment at the facility, and identify any air pollution control measures or equipment used.

Installation of new Super Power Pak III human crematory unit at existing facility.

See attached process flow diagram.

a. The existing crematory unit and the proposed crematory unit utilizes natural gas as fuel.

b. The proposed crematory unit is in addition to the existing active crematory unit.

c. Existing active crematory unit information:

Manufacturer: Matthews Cremation Division

Model: IE-43-ET

S/N 394329

Primary Chamber: 76 cubic feet

Secondary Chamber: 130 cubic feet

Operating Temperature:

Primary Chamber: 1400° F - 2000° F

Secondary Chamber: 1400° F - 1800° F (as required)

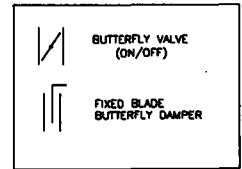
Fuel Type: Natural Gas

Lbs/hr: 250 lbs/hr

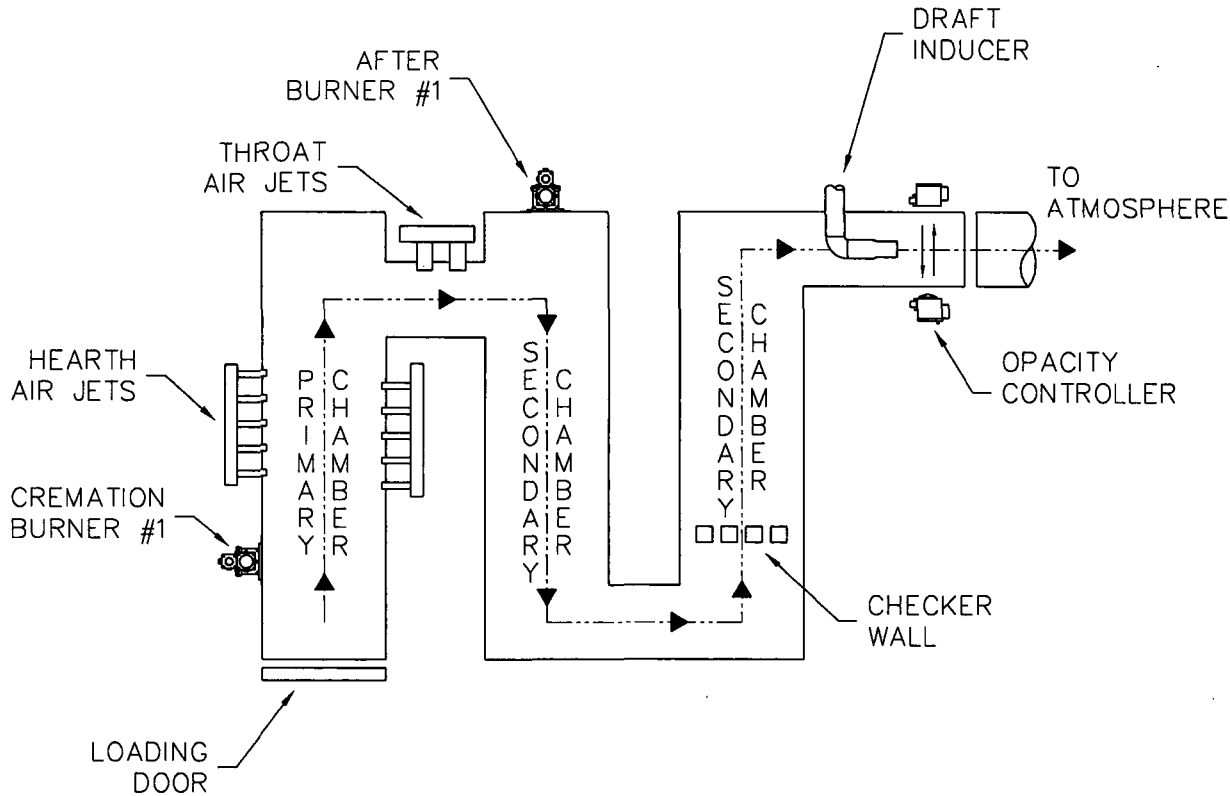
Monitoring Control Devices: 2 Pen Chart Recorders which monitors primary and secondary chamber temperatures

Pollution Monitoring system which monitors opacity

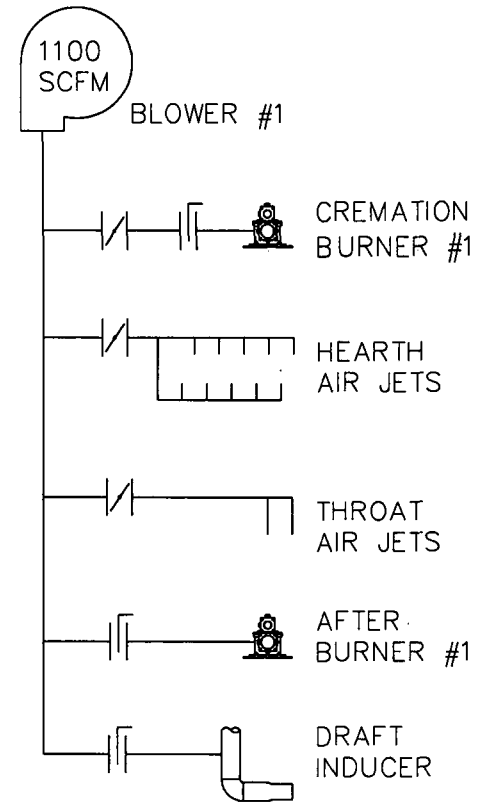
LEGEND OF SYMBOLS



FLOW DIAGRAM



AIR SCHEMATIC



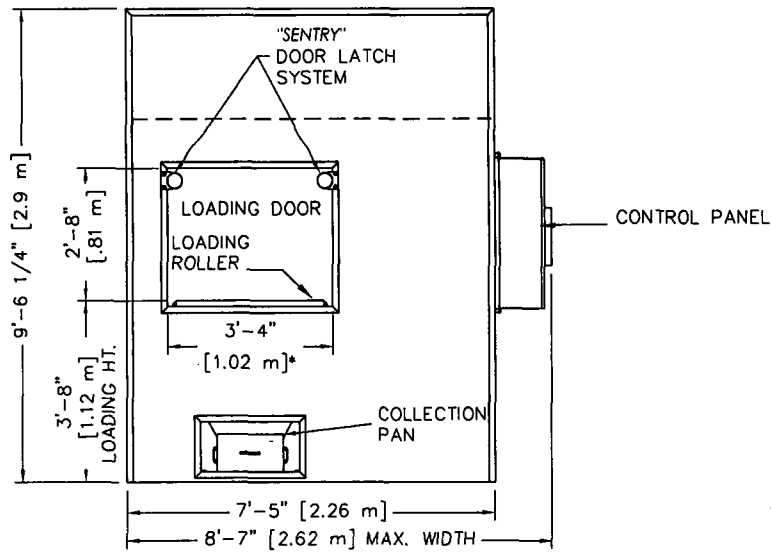
Matthews
CREMATION DIVISION

2045 Sprint Boulevard
Apopka, Florida 32703
USA

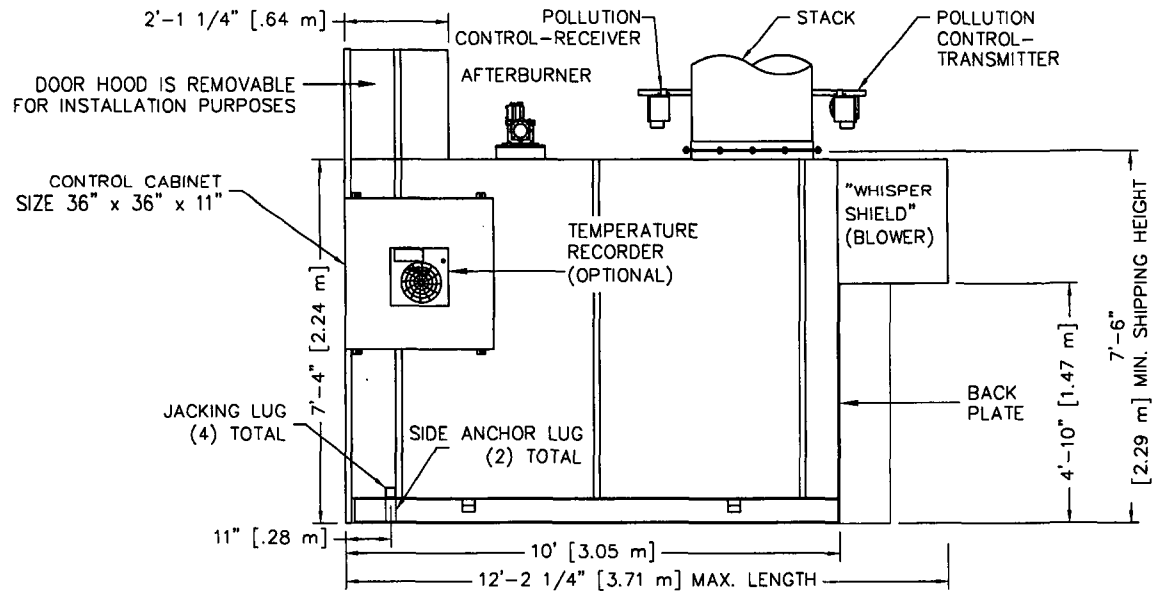
SUPER POWER PAK III

FLOW DIAGRAM
& AIR SCHEMATIC

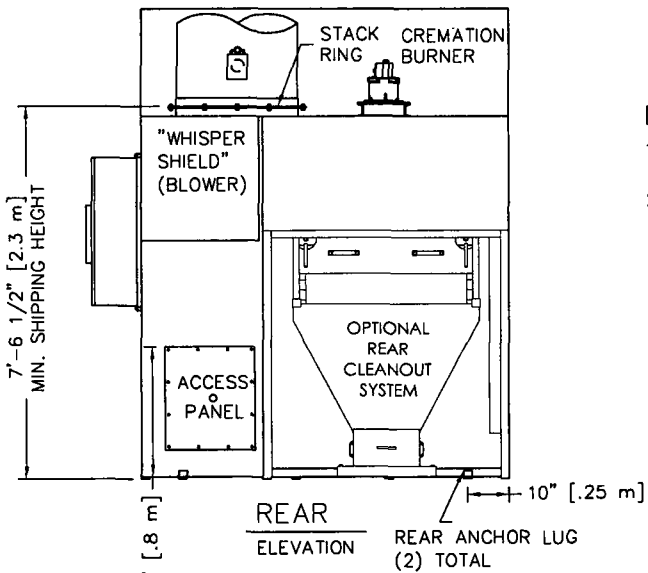
DATE:	08-05-05	SCALE:	1/4"=1'
DRAWN:	JG	PLOT SCALE:	1:48
APRVD:		SHEET:	1 OF: 1
DWG FILE:	SPPIIIFlowDioAirSchem		
DWG #:	0000715		



FRONT
ELEVATION



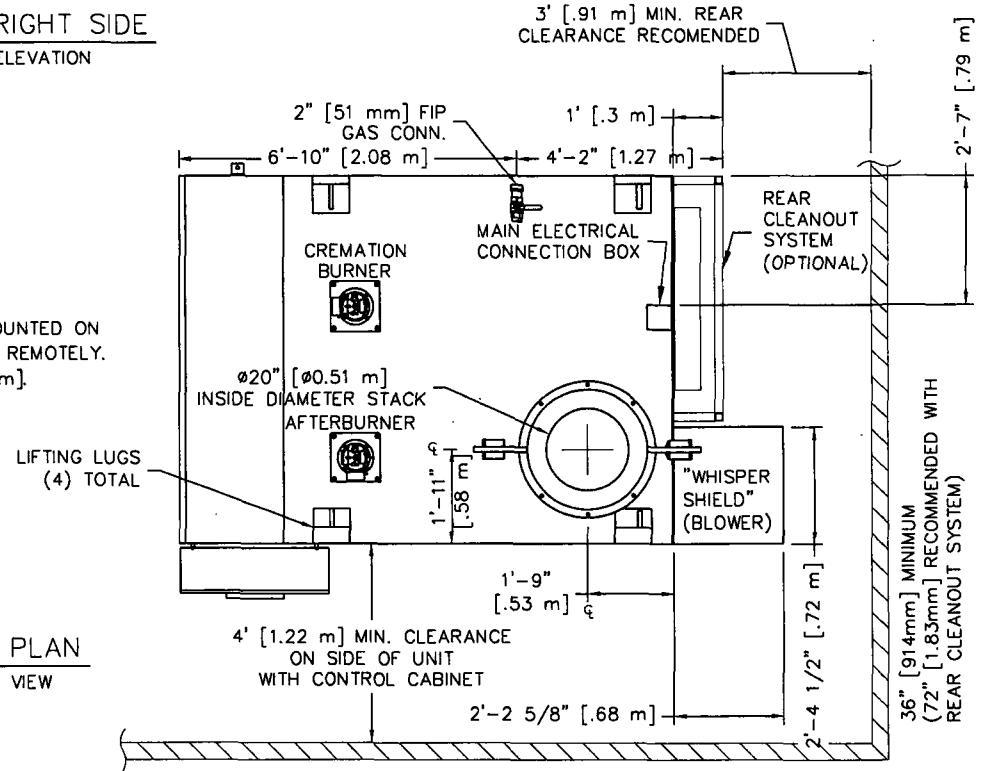
RIGHT SIDE
ELEVATION



REAR
ELEVATION

NOTES:

- 1) CONTROL CABINET CAN BE MOUNTED ON THE LEFT OR RIGHT SIDE, OR REMOTELY.
- 2) CHAMBER WIDTH IS 39\"/>



PLAN
VIEW

Matthews
CREMATION DIVISION

2045 Sprint Boulevard
Apopka, Florida 32703
USA

SUPER POWER-PAK III

PLAN & ELEVATIONS INCL: CLEARANCES,
REQUIREMENTS & RECOMMENDATIONS

DATE:	10-26-06	SCALE:	1/4"=1'
DRAWN:	JG	PLOT SCALE:	1:48
APRVD:		SHEET:	1 OF: 2
DWG FILE:	SPPIII-MarketingPlanElevR2		
DWG #:	0000196		

CREMATOR CLEARANCES

RECOMMENDED

MINIMUM

TOP: ②	2 FEET [610 mm]	6 INCHES [152 mm]
CABINET SIDE:	4 FEET [1.22 m]	4 FEET [1.22 m]
OTHER SIDE:	2 FEET [610 mm]	6 INCHES [152 mm]
FRONT:	9 FEET [2.74 m]	8 FEET [2.44 m]
REAR:	3 FEET [0.91 m]	32 INCHES [812 mm]
STACK:	6 INCHES [152 mm]	6 INCHES [152 mm]

- FOR CLEARANCES OTHER THAN THOSE SHOWN, OR FOR SPECIAL REQUIREMENTS, CONSULT YOUR MCD REP.
- FROM HIGHEST POINT ON UNIT.
- CONTROL CABINET MOUNTS ON UNIT'S LEFT OR RIGHT SIDES, OR REMOTELY. (SEE PLAN VIEW, SHEET 1).
- REAR OF UNIT REFERS TO THE "BACK PLATE", RATHER THAN THE BACK OF THE "WHISPER SHIELD". (SEE PLAN VIEW, SHEET 1).

CREMATOR REQUIREMENTS

FUEL: A PRESSURE REGULATOR ADJUSTABLE TO 7" [178 mm] W.C. FOR NATURAL GAS, OR 11" [279 mm] W.C. FOR LP GAS.

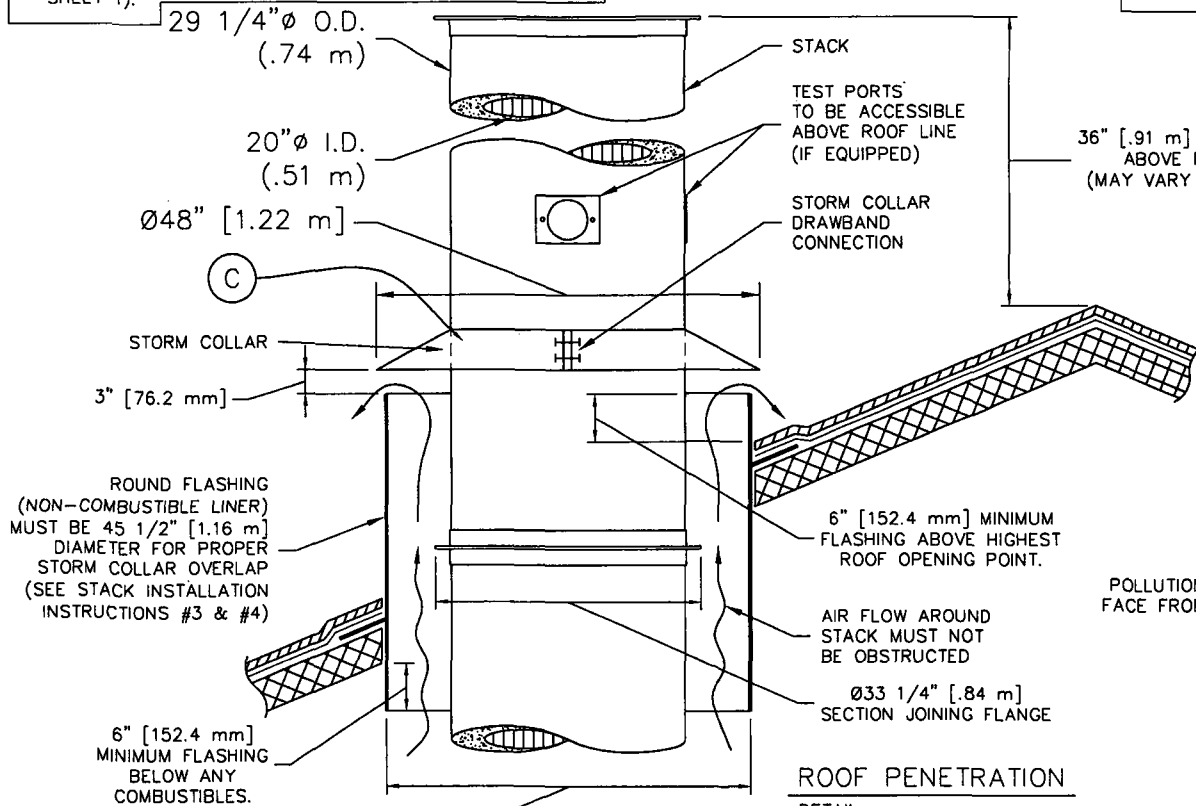
CAPACITY: RANGES FROM 2.0 TO 3.0 MILLION BTU/HR [2.1 TO 3.1 MILLION KILOJOULES/HR] DEPENDING UPON AMOUNT OF BURNERS.

ELECTRICAL: 230 VOLT, 3 ϕ , (40A BREAKER) AND 115v (10A BREAKER), OR 230 VOLT, 1 ϕ , (70A BREAKER) AND 115v (10A BREAKER) 50/60 HERTZ

AIR: LOUVER NEAR THE REAR OF THE UNIT CAPABLE OF PASSING 2,500 CU FT/MIN [70.8 CU M/MIN] OF FREE AIR (36" X 36") [914 mm X 914 mm].

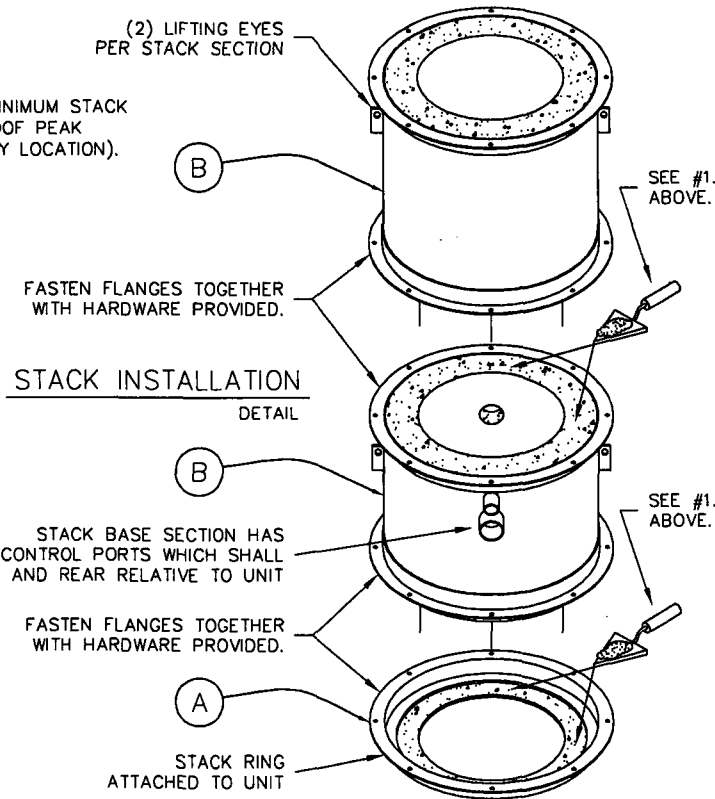
STACK INSTALLATION INSTRUCTIONS

- APPLY A 1/2" THICK MORTAR JOINT TO EXPOSED REFRACTORY SURFACE IN STACK RING. LOWER THE BASE STACK SECTION (B) ONTO STACK RING (A) AND FASTEN WITH HARDWARE PROVIDED (NO MORE THAN (2) STACK SECTIONS SHALL BE LIFTED TOGETHER). REPEAT PROCESS FOR REMAINING STACK SECTIONS. IF SECTIONS OF VARYING LENGTHS ARE SUPPLIED, ASSEMBLE AS TO AVOID FLANGES & LIFTING EYES INTERFERING WITH RAIN COLLAR LOCATION.
- INSTALL STORM COLLAR ON STACK, 3" [72 mm] ABOVE NON-COMBUSTIBLE LINER (FLASHING), ALLOWING FOR PROPER VENTILATION (SEE DETAIL).
- APPLY A 1/4" [6 mm] BEAD OF HIGH-TEMPERATURE SILICON SEALANT (PROVIDED BY MCD) TO THE JOINT BETWEEN THE STORM COLLAR (C) AND THE STACK (B).
- STORM COLLAR IS FURNISHED BY MCD. THE NON-COMBUSTIBLE LINER (FLASHING) TO BE PROVIDED BY THE OTHERS.
- IF FIFTY PERCENT OF THE STACK LENGTH IS ABOVE THE ROOF, GUY WIRES MAY BE REQUIRED. CONSULT WITH YOUR MCD REP.
- RAIN CAP NOT REQUIRED.



ROOF PENETRATION
DETAIL

36" [.91 m] MINIMUM STACK ABOVE ROOF PEAK (MAY VARY BY LOCATION).



STACK INSTALLATION
DETAIL

Ø45 1/2" [1.16 m] REQUIRED FOR PROPER STACK CLEARANCE.

Matthews
CREMATION DIVISION

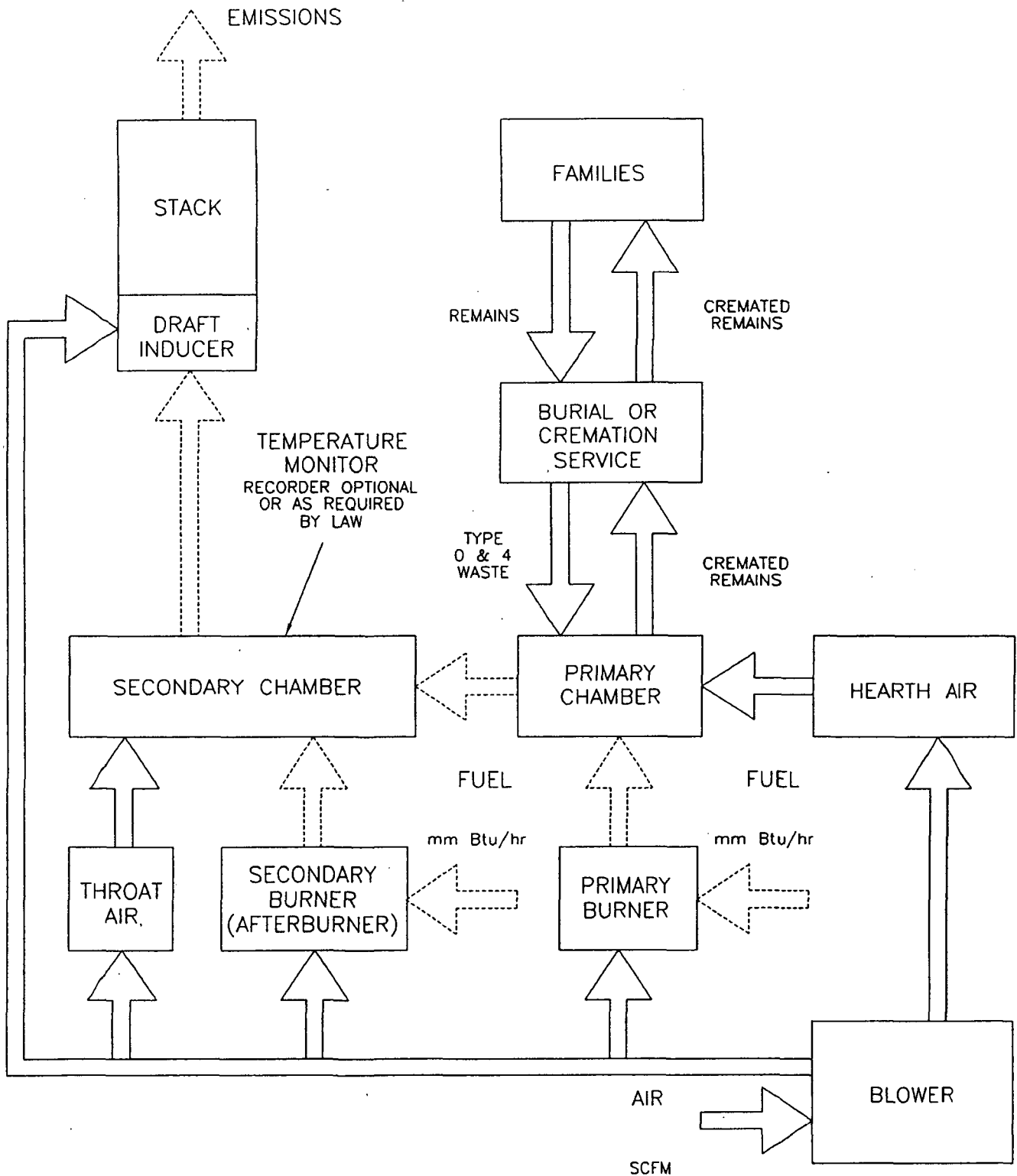
2045 Sprint Boulevard
Apopka, Florida 32703
USA

SUPER POWER-PAK III

STACK DETAILS, CLEARANCES &
INSTALLATION INSTRUCTIONS.
REFRACTORY STACK DETAIL

DATE:	10-26-06	SCALE:	1/2"=1'
DRAWN:	JG	PLOT SCALE:	1:24
APRVD:		SHEET:	2 OF 2
DWG FILE:	SPIII-MarketingStackRefS2R3		
DWG #:	0000196		

PROCESS FLOW DIAGRAM CREMATOR



SPECIFICATIONS- Model Super Power-Pak

1. Equipment Type Super Power-Pak
 - A. Model No. IE43-SPP
 - B. Underwriters Laboratories Listing and File No. . . 87E8; MH14647

2. Dimensions
 - A. Footprint 10' - 0" x 7' - 4"
 - B. Maximum Length 12' - 2" (3.7 m)
 - C. Maximum Width 8' - 7" (2.62 m)
 - D. Maximum Height 9' - 6³/₄" (2.91 m)
 - E. Chamber Loading Opening 33" H x 39" W (838 mm x 991 mm)

3. Weight 32,000 lbs. (14,500 kg)

4. Utility/Air Requirements
 - A. Gross Gas Input, Natural or LP Gas 2,000,000 BTU/hr. (2,100,000 kJ/h)
2,750,000 BTU/hr. (2,640,000 kJ/h) if operating
temperature is greater then 1,600° F
 - Running Gas Pressure, Natural Gas 7 inches (180 mm) water column or greater
 - Running Gas Pressure, LP Gas 11 inches (280 mm) water column or greater
 - B. Electrical Supply 230 volt, 3Ø or 1Ø, 50/60 hz (other available)
 - C. Air Supply 2,500 cfm (70 standard m³/min)

5. Incineration Capacity 200 lbs./hr. (91 kg/h)

6. Typical Loading Capacity of Waste Types 750 lbs. (340 kg/h)

7. Construction and Safety Standards Incineration Institute of America, Underwriters
Laboratories, Canadian Standards Association

8. Steel Structure Construction
 - A. Frame 2" (51 mm) square tubing
 - B. Front/Rear Plates 3/8" (10 mm) plate
 - C. Floor Plates 3/16" (5 mm) plate
 - D. Outer Side Casing 12 gauge (3 mm) plate
 - E. Inner Side Casing 12 gauge (3 mm) plate

9. Stack Construction
 - A. Inner Wall 4 1/2" (110 mm) insulating firebrick or castable
 - B. Outer Wall 12 gauge (3 mm) sheet, 304 s.s., welded seams
(unlined stack available)

10. Draft Nozzle Construction Schedule 40 type 316 s.s., welded connections

11. Main Chamber Door Construction
 - A. Steel Shell 3/16" (5 mm) steel, welded with reinforcement
 - B. Outer Refractory 1" (25 mm) insulating block
 - C. Inner Refractory 4¹/₂" (110 mm) insulating firebrick

SPECIFICATIONS- Model Super Power-Pak

- 12. Primary Chamber Wall Construction
 - A. Outer Casing Wall..... 12 gauge (3 mm) sheet
 - B. Inner Frame/Air Compartment 2" (51 mm) air compartment
 - C. Inner Casing Wall 12 gauge (3 mm) sheet
 - D. Outer Refractory Wall 5" (127 mm) insulating block (minimum)
 - E. Inner Refractory Wall..... 4½" (110 mm) firebrick

- 13. Secondary Chamber Wall Construction
 - A. Outer Casing Wall..... 12 gauge (3 mm) sheet
 - B. Inner Frame/Air Compartment 2" (51 mm) air compartment
 - C. Inner Casing Wall 12 gauge (3 mm) sheet
 - D. Outer Refractory Wall 6" (150 mm) insulating block
 - E. Inner Refractory Wall..... 4½" (110 mm) firebrick

- 14. Refractory Temperature Ratings
 - A. Standard Firebrick 3,100° F. (1700° C)
 - B. Insulating Firebrick..... 2,600° F. (1430° C)
 - C. Castable Refractory (Hearth) 2,550° F. (1370° C)
 - D. Castable Refractory 2,550° F. (1370° C)
 - E. Insulating Block..... 1,900° F. (1040° C)
 - F. Bonding Mortar 3,200° F. (1760° C)

- 15. Chamber Volumes (not including external flues, stacks or chimneys)
 - A. Primary Chamber..... 61 cubic feet (1.7 m³)
 - B. Secondary Chamber 99 cubic feet (2.8 m³)

- 16. Emission Control Features
 - A. Secondary Chamber with Afterburner Included
 - B. Opacity Monitor and Controller with Visual and Audible Alarms..... Included
 - C. Auxiliary Air Control System..... Included
 - D. Microprocessor Temperature Control System..... Included

- 17. Operating Temperatures
 - A. Primary Chamber..... 1,200° F. - 1,800° F. (650° C - 1000° C)
 - B. Secondary Chamber..... 1,400° F. - 1,800° F. (760° C - 1000° C) as required

- 18. Secondary Chamber Retention Time..... > 1 second }

- 19. Ash Removal Door functions as a heat shield. Sweep out beneath rear door into hopper that fills collection pan.

- 20. Safety Interlocks
 - A. High Gas Pressure Optional
 - B. Low Gas Pressure Optional
 - C. Blower Air Pressure Included
 - D. Door Position Included
 - E. Opacity Included

SPECIFICATIONS- Model Super Power-Pak

- F. Motor Starter Function Included
- G. Chamber Temperature..... Included
- H. Motor Overload Included
- I. Flame Quality..... Included
- J. Burner Safe Start Included

21. Burner Description The nozzle mix burners used on this cremation equipment are industrial quality and designed for incinerator use.

22. Ultraviolet Flame Detection..... Ultraviolet flame detection has proven to be the most reliable means of flame safety. The system is completely sealed in a quartz capsule to eliminate problems, caused by moisture and dust created in the cremation process, which effect flame rod detectors.

23. Operating Panel Indicating Lights

- A. Safe Run..... Included
- B. Door Closed..... Included
- C. Pollution Alarm..... Included
- D. Afterburner On (Secondary Burner) Included
- E. Cremation Burner On Included
- F. Temperature Control Included
- G. Afterburner (Secondary Burner) Reset..... Included
- H. Cremation Burner Reset..... Included
- I. Hearth Air..... Included
- J. Throat Air Off..... Included

24. Automatic Timer Functions

- A. Master Cycle..... Included
- B. Afterburner (Secondary Burner) Included
- C. Cremation Burner Included
- D. Low Fire Cremation Burner Included
- E. Hearth Air..... Included
- F. Throat Air..... Included
- G. Pollution Monitoring Included
- H. Afterburner (Secondary Burner) Prepurge Included
- I. Cremation Burner Prepurge Included
- J. Cool Down Included

25. Exterior Finish

- A. Primer..... 2 coats rust inhibiting
- B. Finish 2 coats textured finish

26. Start-Up and Training

..... Startup of cremation equipment and training of operators to properly operate and maintain the equipment is performed on-site under actual operating conditions. Included is a comprehensive owner's manual, with details on the equipment, its components and proper operation.

Air Emissions Testing

IE43-SPP, Super Power-Pak Cremator

**Metro Crematory, Inc.
Ocoee, Florida**

April 23, 2003

Testing Performed By:

Southern Environmental Sciences, Inc.

1.0 INTRODUCTION

Southern Environmental Sciences, Inc. conducted emissions testing of the Industrial Equipment & Engineering Company Model IE43-SPP, Super Power-Pak cremator on April 23, 2003. The unit is located at Metro Crematory, Inc.; 751 South Bluford Ave.; Ocoee, Florida 34761. Testing was conducted for the particulates, carbon monoxide, and visible emissions. Oxygen (O₂) concentrations were measured in order to correct results to 7% O₂.

2.0 SUMMARY OF RESULTS

The equipment was found to be in compliance with all applicable emission limiting standards. Results of the particulate and carbon monoxide testing are summarized in Table 1.

The average measured particulate emission concentration was 0.033 grains per dry standard cubic foot (corrected to 7% O₂).

The average measured carbon monoxide emission concentration was 16.5 parts per million by volume (corrected to 7% O₂).

A visible emissions evaluation was conducted over a 60-minute period. The maximum three minute average opacity was 0 percent.

The testing personnel detected no objectionable odor during the stack test.

Mr. Gregory Bryant of the Orange County Environmental Protection Division was present for the testing.

3.0 PROCESS DESCRIPTION

The IE43-SPP, Super Power-Pak cremator is a gas fired, multiple chamber design. A human body enclosed in a wooden or cardboard container or animal tissue is loaded into the primary chamber. The afterburner ignites and heats the secondary chamber to the required temperature. A process controller that automatically modulates the gas supply to the afterburner maintains the secondary chamber temperature.

After the secondary chamber has been heated sufficiently, the cremation burner ignites and the cremation process is initiated. A typical cremation takes 60 to 90 minutes, but the time may vary depending on the body weight and various other factors.

A gas flow schematic is shown in Figure 1. Process rates for the test are included in the appendix.

EMISSIONS TEST SUMMARY

REVISED 6/6/03

Company: METRO CREMATORY, INC.

Source: IE43-SUPER POWER PAK HUMAN CREMATORY

	Run 1	Run 2	Run 3	
Date of Run	4/23/03	4/23/03	4/23/03	
Start Time (24-hr. clock)	1048	1410	1631	
End Time (24-hr. clock)	1150	1515	1734	
Vol. Dry Gas Sampled Meter Cond. (DCF)	42.008	38.747	41.028	
Gas Meter Calibration Factor	1.012	1.012	1.012	
Barometric Pressure at Barom. (in. Hg.)	30.02	30.01	29.97	
Elev. Diff. Manom. to Barom. (ft.)	0	0	0	
Vol. Gas Sampled Std. Cond. (DSCF)	41.027	37.645	39.507	
Vol. Liquid Collected Std. Cond. (SCF)	5.003	4.583	4.140	
Moisture in Stack Gas (% Vol.)	10.9	10.9	9.5	
Molecular Weight Dry Stack Gas	30.00	30.00	30.00	
Molecular Weight Wet Stack Gas	28.70	28.70	28.86	
Stack Gas Static Press. (in. H ₂ O gauge)	-0.04	-0.04	-0.05	
Stack Gas Static Press. (in. Hg. abs.)	30.02	30.01	29.97	
Average Square Root Velocity Head	0.208	0.183	0.191	
Average Orifice Differential (in. H ₂ O)	1.530	1.262	1.435	
Average Gas Meter Temperature (°F)	91.0	93.3	97.8	
Average Stack Gas Temperature (°F)	1061.5	1067.7	1097.0	
Pitot Tube Coefficient	0.84	0.84	0.84	
Stack Gas Vel. Stack Cond. (ft./sec.)	19.9	17.54	18.43	
Effective Stack Area (sq. ft.)	2.41	2.41	2.41	
Stack Gas Flow Rate Std. Cond. (DSCFM)	891	782	818	
Stack Gas Flow Rate Stack Cond. (ACFM)	2,872	2,532	2,660	
Net Time of Run (min.)	60.0	60.0	60.0	
Nozzle Diameter (in.)	0.598	0.598	0.598	
Percent Isokinetic	94.7	99.0	99.4	
Oxygen (%)	12.9	13.2	13.9	
Particulate Collected (mg.)	18.9	71.2	43.2	
				<u>Average</u>
Particulate Emissions (gr./DSCF)	0.007	0.029	0.017	0.018
Particulate Emissions (gr./DSCF @ 7% O ₂)	0.012	0.052	0.034	0.033
Particulate Emissions (lb./hr.)	0.100	0.200	0.100	0.133
CO Emissions (ppm)	18.90	4.90	4.00	9.28
CO Emissions (ppm @ 7% O ₂)	32.70	8.80	7.90	16.50
CO Emissions (lb./hr.)	0.074	0.017	0.014	0.035

Note: Standard conditions 68°F, 29.92 in. Hg

SOUTHERN ENVIRONMENTAL SCIENCES, INC.

1204 North Wheeler Street, Plant City, Florida 33566 (813)752-5014

VISIBLE EMISSIONS EVALUATION

COMPANY <i>Metro Crematory, Inc</i>	
UNIT <i>IEE Super Power Pak</i>	
ADDRESS <i>Bluford Ave, Ocoee, Florida</i>	
PERMIT NO. <i>0950022-002-AC</i>	COMPLIANCE? YES <input checked="" type="checkbox"/> NO <input type="checkbox"/>
AIRS NO. <i>0950022</i>	EU NO.
PROCESS RATE <i>Adult Size Body</i>	PERMITTED RATE <i>Adult Size Body</i>
PROCESS EQUIPMENT <i>IEE model IE43-SPP crematory</i>	
CONTROL EQUIPMENT <i>Afterburner</i>	
OPERATING MODE <i>Propane Fired</i>	AMBIENT TEMP. (°F) START <i>78</i> STOP <i>78</i>
HEIGHT ABOVE GROUND LEVEL, START <i>~20'</i> STOP <i>~20'</i>	HEIGHT REL. TO OBSERVER START <i>~20'</i> STOP <i>~20'</i>
DISTANCE FROM OBSERVER START <i>~100'</i> STOP <i>~100'</i>	DIRECTION FROM OBSERVER START <i>15°</i> STOP <i>15°</i>
EMISSION COLOR <i>None</i>	PLUME TYPE <i>NA</i> CONTIN. <input type="checkbox"/> INTERMITTENT <input type="checkbox"/>
WATER DROPLETS PRESENT NO <input checked="" type="checkbox"/> YES <input type="checkbox"/>	IS WATER DROPLET PLUME ATTACHED <input type="checkbox"/> DETACHED <input checked="" type="checkbox"/>
POINT IN THE PLUME AT WHICH OPACITY WAS DETERMINED START <i>stack exit</i> STOP <i>stack exit</i>	
DESCRIBE BACKGROUND START <i>sky</i> STOP <i>sky</i>	
BACKGROUND COLOR START <i>Blue</i> STOP <i>Blue</i>	SKY CONDITIONS START <i>clear</i> STOP <i>clear</i>
WIND SPEED (MPH) START <i>5-10</i> STOP <i>5-10</i>	WIND DIRECTION START <i>NE</i> STOP <i>NW</i>
AVERAGE OPACITY FOR HIGHEST PERIOD <i>0%</i>	RANGE OF OPAC. READINGS MIN. <i>0%</i> MAX. <i>0%</i>
SOURCE LAYOUT SKETCH DRAW NORTH ARROW	
<p>The sketch shows an 'Emission Point' at the top, connected by a vertical line to the 'Observer's Position' below it. A dashed line representing the 'Sun Location Line' is drawn at a 140-degree angle from the vertical line. Wind direction is indicated by arrows labeled 'wind start' and 'wind end' pointing towards the observer. A legend on the left shows 'Sun * Wind Plume and Stack' with a corresponding symbol.</p>	
COMMENTS	

OBSERVATION DATE <i>4/23/03</i>					START TIME <i>1410</i>					STOP TIME <i>1510</i>				
SEC	0	15	30	45	SEC	0	15	30	45	MIN	0	15	30	45
MIN					MIN									
0	0	0	0	0	30	0	0	0	0					
1	0	0	0	0	31	0	0	0	0					
2	0	0	0	0	32	0	0	0	0					
3	0	0	0	0	33	0	0	0	0					
4	0	0	0	0	34	0	0	0	0					
5	0	0	0	0	35	0	0	0	0					
6	0	0	0	0	36	0	0	0	0					
7	0	0	0	0	37	0	0	0	0					
8	0	0	0	0	38	0	0	0	0					
9	0	0	0	0	39	0	0	0	0					
10	0	0	0	0	40	0	0	0	0					
11	0	0	0	0	41	0	0	0	0					
12	0	0	0	0	42	0	0	0	0					
13	0	0	0	0	43	0	0	0	0					
14	0	0	0	0	44	0	0	0	0					
15	0	0	0	0	45	0	0	0	0					
16	0	0	0	0	46	0	0	0	0					
17	0	0	0	0	47	0	0	0	0					
18	0	0	0	0	48	0	0	0	0					
19	0	0	0	0	49	0	0	0	0					
20	0	0	0	0	50	0	0	0	0					
21	0	0	0	0	51	0	0	0	0					
22	0	0	0	0	52	0	0	0	0					
23	0	0	0	0	53	0	0	0	0					
24	0	0	0	0	54	0	0	0	0					
25	0	0	0	0	55	0	0	0	0					
26	0	0	0	0	56	0	0	0	0					
27	0	0	0	0	57	0	0	0	0					
28	0	0	0	0	58	0	0	0	0					
29	0	0	0	0	59	0	0	0	0					
Observer: <i>Raymond Nelson</i>														
Certified by: <i>FDSP</i> Certified at: <i>Tampa, FL</i>														
Date Certified: <i>2/18/03</i> Exp. Date: <i>8/20/03</i>														
I certify that all data provided to the person conducting the test was true and correct to the best of my knowledge:														
Signature:														
Title:														



FRED HUNTER'S
 SINCE 1890
 FUNERAL SERVICE • CREMATION • CEMETERIES

RECEIVED

MAR 11 2010

Bureau of Air Monitoring
 & Mobile Sources

March 8, 2010

FDEP RECEIPTS

**P. O. Box 3070
 Tallahassee, FL 32803**

RE: HUMAN CREMATORY AIR GENERAL PERMIT REGISTRATION FORM

To whom it may concern:

Enclosed please find the Human Crematory Air General Permit Registration Form on Pages 7-9.

Please contact me directly with any questions, concerns or if you should require any additional information for this permit.

Best regards,

**Jeff D. Casey
 General Manager**

Enclosure

— FUNERAL HOMES —

HOLLYWOOD 6301 Taft St. Hollywood, FL 33024 Fax: (954) 987-2997	FORT LAUDERDALE 718 S. Federal Highway Fort Lauderdale, FL 33316 Fax: (954) 766-8165
---	--

DAVIE 2401 S. University Dr. Davie, FL 33324 Fax: (954) 370-9975
--

— CEMETERIES • MAUSOLEUMS —

HOLLYWOOD MEMORIAL GARDENS 6301 Taft St. Hollywood
--

HOLLYWOOD MEMORIAL GARDENS NORTH 3001 N. 72nd Ave. Hollywood
--

(954) 989-1550 • 1-800-940-1550

.Y URGENT Please Rush To Addressee



1007

MAR 08 10 AMOUNT

\$18.20
0006681-04

RETURN RECEIPT
REQUESTED

FOR PICKUP OR TRACKING CALL 1-800-222-1811

Dick Dibble ?



EG 114586005 US

OO

PRESS HARD, YOU ARE MAKING 3 COPIES.

EXPRESS MAIL RETURN RECEIPT Mailing Label
Label 11-B, March 2004
Post Office To Addressee

DELIVERY (POSTAL USE ONLY)		
Delivery Attempt	Time	Employee Signature
3 10 11	<input checked="" type="checkbox"/> AM <input type="checkbox"/> PM	Philes
Mo. Day		
Delivery Attempt	Time	Employee Signature
Mo. Day	<input type="checkbox"/> AM <input type="checkbox"/> PM	
Delivery Date	Time	Employee Signature
Mo. Day	<input type="checkbox"/> AM <input type="checkbox"/> PM	

ORIGIN (POSTAL SERVICE USE ONLY)		
PO ZIP Code	Day of Delivery	Postage
33024	<input checked="" type="checkbox"/> Next <input type="checkbox"/> 2nd <input type="checkbox"/> 2nd Del. Day	\$ 15.90
Date Accepted	Scheduled Date of Delivery	Return Receipt Fee
3 8 10	Month 3 Day 9	\$ 2.30
Mo. Day Year	Scheduled Time of Delivery	COD Fee
3:59 PM	<input checked="" type="checkbox"/> Noon <input type="checkbox"/> 3 PM	\$
Time Accepted	Military	Insurance Fee
<input type="checkbox"/> AM <input checked="" type="checkbox"/> PM		\$
Flat Rate <input type="checkbox"/> or Weight	<input type="checkbox"/> 2nd Day <input type="checkbox"/> 3rd Day	Total Postage & Fees
4.70 lbs. ozs.		\$ 18.20
	Int'l Alpha Country Code	Acceptance Emp. Initials

CUSTOMER USE ONLY

PAYMENT BY ACCOUNT
Express Mail Corporate Acct. No. **WAVER OF SIGNATURE (Domestic Mail Only)**
Additional merchandise insurance is void if customer requests waiver of signature.

Federal Agency Acct. No. or Postal Service Acct. No. _____
I wish delivery to be made without obtaining signature of addressee or addressee's agent (if delivery employee judges that article can be left in secure location) and I authorize that delivery employee's signature constitutes valid proof of delivery.

NO DELIVERY
 Weekend Holiday Mailer Signature

FROM: (PLEASE PRINT) PHONE (954) 989-1550

FRED HUNTER'S
6301 TART ST.
HOLLAND, FL 33024

TO: (PLEASE PRINT) PHONE ()

FDEP RECEIPTS
PO BOX 3070
TALLAHASSEE, FL
ZIP 32303

FOR PICKUP OR TRACKING
Visit www.usps.com
Call 1-800-222-1811

ZIP + 4 (U.S. ADDRESSES ONLY. DO NOT USE FOR FOREIGN POSTAL CODES.)
3 2 8 0 3 + [] [] [] []

FOR INTERNATIONAL DESTINATIONS, WRITE COUNTRY NAME BELOW
32303



RETURN RECEIPT

FDEP Receipts

P.O. Box 3070

Tallahassee, FL 32803

Dibble, Dickson

From: Dibble, Dickson
Sent: Thursday, March 18, 2010 8:04 AM
To: 'jcasey@fredhunters.com'
Cc: Ajhar, Rebecca
Subject: Human Crematory Air General Permit Registration Form submitted/received 03/11/10
Attachments: 0112149;FredHunterMemorialServicesIncdbaFredHunterCrematory-Taft.pdf

Good morning Mr. Casey,

Thank you for returning my call.

It was a pleasure to talk with you yesterday regarding your submittal (see attached pdf file) addressing the proposed equipment change at the Fred Hunter Crematory facility and the request for missing data as well as the required Air General Permit processing fee.

I will re-cap the points of our discussion.

- 1) The required processing fee of \$100.00, payable to FDEP, was not included with the form. The form was forwarded to me. Your submittal cannot be considered complete until such time that the fee is received by FDEP. Under normal circumstances forms & fees are received by FDEP Finance & Accounting (F&A) where the check is processed and the form is date stamped. The forms are then forwarded to my office for review & processing. If F&A were to receive a lone check they probably would send it back since there was no form to accompany it, so I have provided the alternative addresses below:

If sending **Via USPS – US Mail:**

**FDEP
DARM-BAMMS, MS5510
Attn: Dick Dibble
Air General Permit Program
2600 Blair Stone Road
Tallahassee, Florida 32399-2400**

If sending **Via OVERNIGHT parcel delivery (UPS, FEDEX, DHL, etc):**

**FDEP-DARM
Attn: Dick Dibble
Air General Permit Program
Suite 23
111 South Magnolia Drive
Tallahassee, Florida 32301**

You may respond to the items below via e-mail with an attached, updated electronically scanned form:

- 2) On page seven (7) under **Registration Type** you are making an equipment change, not constructing a new proposed new facility.
- 3) On page nine (9) **Description of Facility** in addition to the information which you have already supplied for the new unit, you will need to include the following information:
 - a) Fuel type used for both the existing active unit and the proposed crematory unit.
 - b) Is the new unit replacing the existing unit, or is it in addition to the existing unit?
 - c) If the new unit is in addition to the existing crematory unit, please provide the existing unit identification such as Manufacturer, Model number, S/N if available, primary/secondary chambers, operating temperatures, fuel type, capacity in Lbs/hr, and any monitoring & control devices (i.e. temperature monitor/recorder, opacity monitor, automatic controls, etc.)

There is no need to submit Manufacturer's design calculations for the existing unit.

Also, there is no need to re-submit Manufacturer's design calculations for the proposed new unit, since you already did so with your original submission and which I currently have in my possession.

Thank you for your attention in this matter and if you have any questions please e-mail or call.

Have a great day!

Sincerely,

Dickson E. Dibble

Dickson E. Dibble, ES III

FL Dept of Environmental Protection
Div. of Air Resource Management
Bureau of Air Monitoring & Mobile Sources
Air General Permit Program
Tel. (850) 921-9586
FAX (850) 922-6979
ICG-#345

Dickson.Dibble@dep.state.fl.us



Please note: Florida has a very broad public records law. Most written communications to or from state officials regarding state business are public records available to the public and media upon request. Your e-mail communications may therefore be subject to public disclosure

Tracking:

Recipient
'jcasey@fredhunters.com'
Ajhar, Rebecca

Delivery

Delivered: 3/18/2010 8:04 AM

Dibble, Dickson

From: Jeff Casey [JCasey@fredhunters.com]
Sent: Thursday, March 18, 2010 2:55 PM
To: Dibble, Dickson
Subject: Permit Revisions
Attachments: FDEP Human Crematory Permit Revisions.tif

Mr. Dibble:

Good afternoon.

Attached is the revised permit. I will be sending the \$100 processing fee today via UPS Next Day. Included will be a copy of the revision.

Thank you for your excellent assistance.

Jeff D. Casey
General Manager
Fred Hunter Memorial Services, Inc.
6301 Taft Street
Hollywood, FL 33024
954-965-1663 (Voice)
954-965-1660 (Fax)

CONFIDENTIALITY NOTICE: This electronic message is intended to be viewed only by the individual or entity to whom it is addressed. It may contain information that is privileged, confidential and exempt from disclosure by applicable law. Any dissemination, distribution or copying of this message is strictly prohibited without the express prior permission of Jeff D. Casey. If the reader of this message is not the intended recipient, or the employee or agent responsible for delivering the message to the intended recipient, or if you have received this communication in error, please notify Jeff D. Casey immediately by return e-mail and delete the original message and any copies of it from your computer system.

DEP
111 S MAGNOLIA DR
TALLAHASSEE FL 32301-2955

P: PINK s: IN I:
GOVS-1476 X
1ZE83432221000 1039 1030
FX11AB FLTAL101 Mar 19 08:10:07 2010
US 3230 HIP 10.0.3 LP2844

UPS 2nd Day Air

.com®
velopes
, and
UPS
ve are

ronic media

 **UPS Next Day Air®**
UPS Worldwide ExpressSM
Shipping Document

WEIGHT	DIMENSIONAL WEIGHT	LARGE PACKAGE	SHIPPER RELEASE
L T R		<input type="checkbox"/>	<input type="checkbox"/>

- EXPRESS (INT'L)
 DOCUMENTS ONLY

The shipper authorizes UPS to act as forwarding agent for export control and customs purposes.
The shipper certifies that these commodities, technology or software were exported from the United States in accordance with the Export Administration Regulations. Diversion contrary to U.S. law is prohibited.

SATURDAY DELIVERY

1Z E83 432 22 1000 1039



1Z E83 432 22 1000 1039

EXPORT EXPORT

SHIPMENT FROM
UPS ACCOUNT NO. **E 83432**

REFERENCE NUMBER
Air Permit

Jeff D Casey

TELEPHONE
954-989-1550

FRED HUNTER MEMORIAL SERVICES

6301 TAFT ST

HOLLYWOOD FL 33024

DELIVERY TO

Dick Dibble

FDEP-DARM Air General Permit Pr

111 S Magnolia Dr, Ste 23

Tallahassee, FL 32301

TELEPHONE

UPS Next Day Air® 1

1Z E83 432 22 1000 1039



1Z E83 432 22 1000 1039



1Z E83 432 22 1000 1039

DATE OF SHIPMENT

SHIPMENT ID NUMBER **E834 3279 XJL**

3/18/10

0101911202609 1/07 S

United Parcel Service, Louisville, KY