

### CONCRETE BATCHING PLANT AIR GENERAL PERMIT REGISTRATION FORM

#### Part II. Notification to Permitting Office

(Detach and submit to appropriate permitting office; keep copy onsite)

**Instructions:** To give notice to the Department of an eligible facility's intent to use this air general permit, the owner or operator of the facility must detach and complete this part of the Air General Permit Registration Form and submit it to the appropriate Department of Environmental Protection or local air pollution control program office which has permitting authority. Please type or print clearly all information, and enclose the appropriate air general permit registration processing fee pursuant to Rule 62-4.050, F.A.C. (\$100 as of the effective date of this form)

0090064-005

#### Registration Type

Check one:

**INITIAL REGISTRATION** - Notification of intent to:

- Construct and operate a proposed new facility.
- Operate an existing facility not currently using an air general permit (e.g., a facility proposing to go from an air operation permit to an air general permit).

**RE-REGISTRATION** (for facilities currently using an air general permit) - Notification of intent to:

- Continue operating the facility after expiration of the current term of air general permit use.
- Continue operating the facility after a change of ownership.
- Make an equipment change requiring re-registration pursuant to Rule 62-210.310(2)(e), F.A.C., or any other change not considered an administrative correction under Rule 62-210.310(2)(d), F.A.C.

#### Surrender of Existing Air Operation Permit(s) - For Initial Registrations Only

If the facility currently holds one or more air operation permits, such permit(s) must be surrendered by the owner or operator upon the effective date of this air general permit. In such case, check the first box, and indicate the operation permits being surrendered. If no air operation permits are held by the facility, check the second box.

- All existing air operation permits for this facility are hereby surrendered upon the effective date of this air general permit; specifically permit number(s):  
0090064-004-AG
- No air operation permits currently exist for this facility.

#### General Facility Information

Facility Owner/Company Name (Name of corporation, agency, or individual owner who or which owns, leases, operates, controls, or supervises the facility.)

CEMEX Construction Materials Florida, L.L.C.

Site Name (Name, if any, of the facility site; e.g., Plant A, Metropolis Plant, etc. If more than one facility is owned, a registration form must be completed for each.)

CEMEX - Palm Bay Ready-Mix

Facility Location (Provide the physical location of the facility, not necessarily the mailing address.)

Street Address: 3420 Dixie Highway N. E.

City: Palm Bay

County: Brevard

Zip Code: 32905

Facility Start-Up Date (Estimated start-up date of proposed new facility.)(N/A for existing facility)

N/A

RECEIVED

AUG 24 2009

**Owner/Authorized Representative**

Name and Position Title (Person who, by signing this form below, certifies that the facility is eligible to use this air general permit.)

Print Name and Title: Jeffrey R. Porter - Environmental Manager, Southeast Materials Division

Owner/Authorized Representative Mailing Address

Organization/Firm: CEMEX Construction Materials Florida, L.L.C.

Street Address: 1501 Belvedere Road

City: West Palm Beach

County: Palm Beach

Zip Code: 33406

Owner/Authorized Representative Telephone Numbers

Telephone: (561) 820-8415

Fax: (561) 820-8643

Cell phone (optional): (561) 718-7564

**Facility Contact (If different from Owner/Authorized Representative)**

Name and Position Title (Plant manager or person to be contacted regarding day-to-day operations at the facility.)

Print Name and Title: Greg Stone - Plant Manager

Facility Contact Mailing Address

Organization/Firm: CEMEX Construction Materials Florida, L.L.C.

Street Address: 3420 Dixie Highway N. E.

City: Palm Bay

County: Brevard

Zip Code: 32905

Facility Contact Telephone Numbers

Telephone: (321) 725-0443

Fax: (321) 952-2715


Cell phone (optional):

**Owner/Authorized Representative Statement**

This statement must be signed and dated by the person named above as owner or authorized representative

*I, the undersigned, am the owner or authorized representative of the owner or operator of the facility addressed in this Air General Permit Registration Form. I hereby certify, based on information and belief formed after reasonable inquiry, that the facility addressed in this registration form is eligible for use of this air general permit and that the statements made in this registration form are true, accurate and complete. Further, I agree to operate and maintain the facility described in this registration form so as to comply with all applicable standards for control of air pollutant emissions found in the statutes of the State of Florida and rules of the Department of Environmental Protection and revisions thereof.*

*I will promptly notify the Department of any changes to the information contained in this registration form.*

  
Signature

8/14/09  
Date

**Type of Facility**

Check one:

**Stationary Facility**

**Relocatable Facility**

**Type(s) of Reasonable Precautions Used to Prevent Unconfined Emissions**

Check all precautions to be used for the management of roads, parking areas, stock piles and yards:

**Pave Roads**

**Pave Parking Areas**

**Pave Yards**

**Maintain Roads/Parking/Yards**

**Use Water Application**

**Use Dust Suppressant**

**Remove Particulate Matter**

**Reduce Stock Pile Height**

**Install Wind Breaks**

Check all precautions to be used for the management of drop points to trucks:

**Spray Bar**

**Chute**

**Enclosure**

**Partial enclosure**

**Description of Reasonable Precautions**

Below, or as an attachment to this form, provide details of all types of reasonable precautions to be used to prevent unconfined emissions at the facility.

This facility is provided with an extensive stormwater/wastewater drainage system, which is designed to flush particulate matter from the paved yard and entrance drive. This keeps the paving cleaner, substantially reducing fugitive emissions. Most of the aggregate material (sand, gravel, etc.) stored on site is kept in cylindrical concrete silos, which also reduce fugitive dust. Additional aggregate stockpiles in the yard are stored on paved surfaces and kept watered, partly for quality control and partly to reduce potential emissions from these areas. Unused concrete which is brought back to the site is stored in a concrete-walled washout structure, which reduces the area needed to dry the material, while keeping it out of the main traffic pattern, where it would generate additional fugitive emissions.

### **Description of Facility**

Below, or as an attachment to this form, provide a description of the concrete batching plant operations at the facility in sufficient detail to demonstrate the facility's eligibility for use of this air general permit and to provide a basis for tracking any future equipment or process changes at the facility. Describe all air pollutant-emitting processes and equipment at the facility, and identify any air pollution control measures or equipment used.

Ready-Mix Concrete Batching Facility, which utilizes cement, flyash, slag and aggregate materials to produce ready-mix concrete. Dust emissions generated during the filling of the plant's silos or loading of concrete mixer trucks are controlled by baghouse or cartridge dust collectors. Details of these emissions units (EU's) are as follows:

EU-01 - Concrete mixer truck loadout (with an APPCO Model 60-7000 central baghouse dust collector).

EU-02 - Cement bin compartment no. 1 (with a C. & W. Dust Systems Model CP-305-839 cartridge dust collector).

EU-03 - Cement bin compartment no. 2 (with a C. & W. Dust Systems Model CP-305-839 cartridge dust collector).

EU-04 - Single compartment flyash/slag silo (with a C. & W. Dust Systems Model CP-305-839 cartridge dust collector / proposed).

N/A - Cement weigh hopper\* (with a fabric filter bag).

\* The cement weigh hopper is fully enclosed within the batch tower and does not require annual emissions testing.



CERTIFIED – RETURN RECEIPT REQ.  
7009 0960 0000 2312 7558

August 14, 2009

Florida Dept. of Environmental Protection  
Receipts  
P. O. Box 3070  
Tallahassee, FL 32315-3070

**RE: General air permit modification for the CEMEX / Palm Bay ready-mix concrete facility (permit no. 0090064-004-AG).**

Dear Sirs:

This letter is intended to serve as notification that our company plans to modify the dust collection systems at our Palm Bay concrete facility, which is located at 3420 Dixie Highway N. E., in Palm Bay, Florida.

Specifically, a Merts Model 250 baghouse, which currently serves the site's flyash/slag silo, will be replaced with a C. & W. Dust Systems Model CP-305-839 cartridge dust collector. The newer unit is being transferred from our Pineda site, which has been permanently closed. All other dust collectors at the Palm Bay facility will remain unchanged.

In order to update the general air permit for this location, we have attached an FDEP Air General Permit Registration Form, a set of dust collector specifications and check no. 21875333 in the amount of \$100.00. A visible emissions test will be performed on the new dust collector within thirty days of its installation.

If you have any questions concerning the application or need additional data to complete your review, please contact us at (561) 820-8415.

Sincerely,

A handwritten signature in black ink, appearing to read 'Jeffrey R. Porter'.

Jeffrey R. Porter  
Environmental Manager

**Specifications for CP Silo Collectors  
at 6" Static Pressure**

Model Number	CP-230-639	CP-300-839	CP-310-478	CP-380-1039	CP-450-678	CP-610-878
Number of Cartridges	6	8	4	10	6	8
Cartridge Diameter & Length	8"x39"	8"x39"	8"x78"	8"x39"	8"x78"	8"x78"
Number of Solenoids	2	2	2	2	2	2
Total Filtration Area	228	304	304	380	456	608
Min. Design Efficiency	99.99%	99.99%	99.99%	99.99%	99.99%	99.99%
Air to Cloth Ratio (ACFM/Ft.2)	3.5	5.3	5.3	5.3	5.5	4.9
Filtration Velocity (Ft./Min.)	3.5	5.3	2.6	5.3	5.5	4.9
Blower Horsepower (optional)	2	3	3	3	5	5
Static Pressure Drop (WC)	6"	6"	6"	6"	6"	6"
Normal Air Capacity	850	1600	1600	2000	2500	3000
Outlet Area (Ft.2)	0.196	0.64	0.64	0.81	0.79	1.00
Outlet Velocity (Ft./Sec.)	68.03	41.67	41.67	41.15	52.74	50.00
Outlet Moisture Content (Ideally)	0	0	0	0	0	0
Cleaning Mechanism	Pulse Jet w/ Timer	Pulse Jet w/ Timer	Pulse Jet w/ Timer	Pulse Jet w/ Timer	Pulse Jet w/ Timer	Pulse Jet w/ Timer
*Inlet Dust Concentration	12,000	24,000	24,000	30,000	37,500	45,000
*Outlet Emissions (Gr/Min)	1.20	2.40	2.40	3.00	3.75	4.50
*Outlet Dust Loading (Gr/Cf)	0.0015	0.0015	0.0015	0.0015	0.0015	0.0015
*These Calculations Based on Inlet Loading of 15 Gr. / Ft. 3 Your State Environmental Dept. may request additional information. If so, contact C & W Engineering The Fabric Material is 100% Spun Bound Polyester The Approximate Weight of the Filter Media is 8.1Oz.						

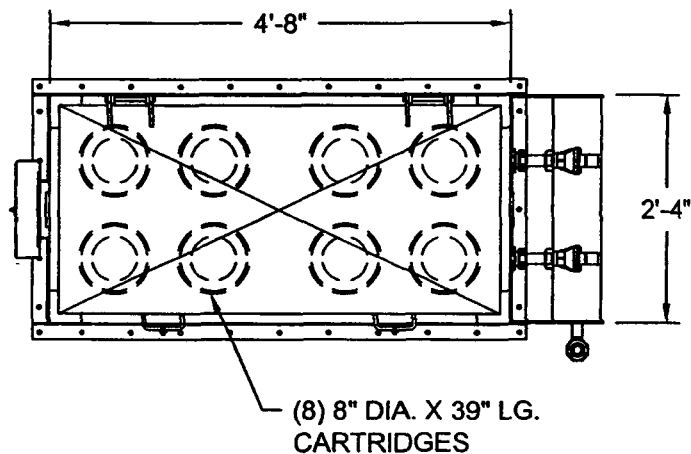
**Specifications for CP Silo Collectors  
at 6" Static Pressure**

Model Number	CP-760-1078	CP-900-1278	CP-1220-1678	CP-1520-2078	CP-2250-3078
Number of Cartridges	10	12	16	20	30
Cartridge Diameter & Length	8"X 78"	8"X 78"	8"X 78"	8"X 78"	8"X 78"
Number of Solenoids	2	3	4	5	6
Total Filtration Area	760	912	1216	1520	2280
Min. Design Efficiency	99.99%	99.99%	99.99%	99.99%	99.99%
Air to Cloth Ratio (ACFM/Ft.2)	5.3	5.5	5.5	5.5	5.5
Filtration Velocity (Ft./Min.)	5.3	5.5	5.5	5.5	5.5
Blower Horsepower (optional)	7.5	10	15	20	25
Static Pressure Drop (WC)	6"	6"	6"	6"	6"
Normal Air Capacity	4,000	5,000	6,700	8,400	12,400
Outlet Area (Ft.2)	1.09	1.31	2.29	2.85	4.19
Outlet Velocity (Ft./Sec.)	61.16	63.61	48.76	49.12	49.32
Outlet Moisture Content (Ideally)	0	0	0	0	0
Cleaning Mechanism	Pulse Jet Nozzle W/Preset timer	Pulse Jet Nozzle W/Preset timer	Pulse Jet Nozzle W/Preset timer	Pulse Jet Nozzle W/Preset timer	Pulse Jet Nozzle W/Preset timer
*Inlet Dust Concentration	60,000	75,000	100,500	126,000	186,000
*Outlet Emissions (Gr/Min)	6.00	7.50	10.05	12.60	18.60
*Outlet Dust Loading (Gr/Cf)	0.0015	0.0015	0.0015	0.0015	0.0015
*These Calculations Based on Inlet Loading of 15 Gr. / Ft. 3 Your State Environmental Dept. may request additional information. If so, contact C & W Engineering					

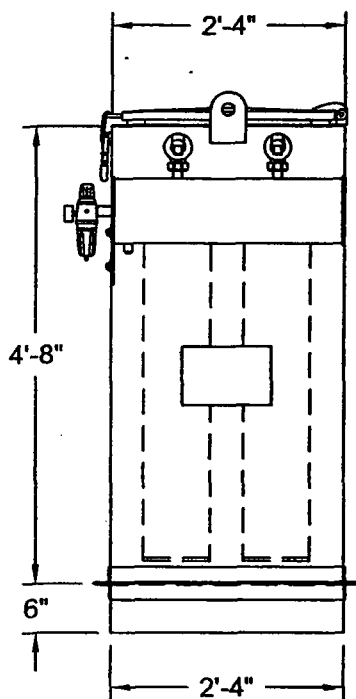
**SPECIFICATIONS**

Questions? Call 1-800-880-3878 for C & W Customer Support

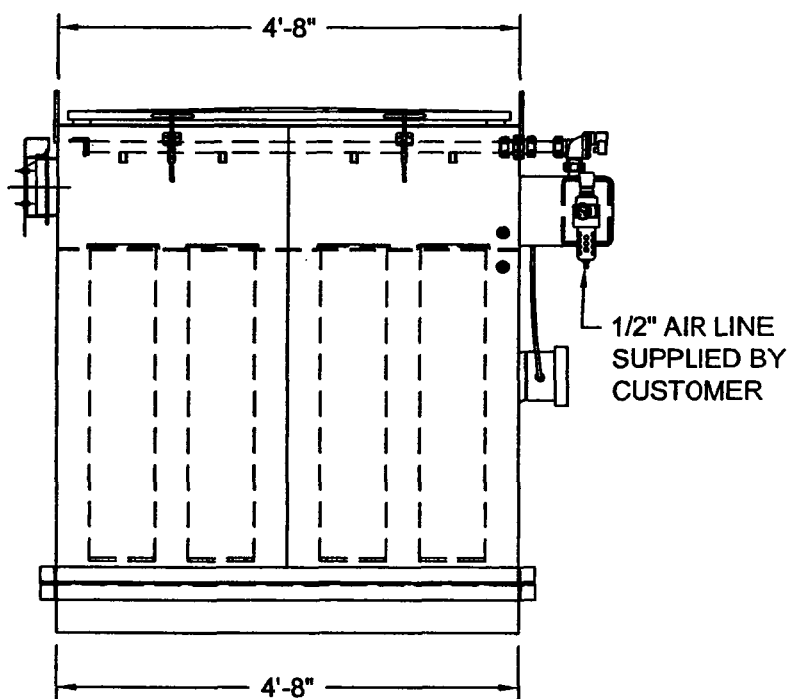
NOTE: THIS PRINT NOT FOR  
CONSTRUCTION. FOR  
GENERAL REF. ONLY



TOP VIEW



FRONT VIEW



SIDE VIEW

## CP-305-839 PULSE JET COLLECTOR



C & W MFG. & SALES CO.  
6933 SHELMOR RD.  
ALVARADO, TX. 76009 (817) 790-5000

Page 2  
FDEP / Receipts  
Palm Bay - AG Mod.

#### Attachments

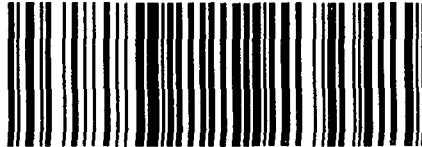
cc: L. Jenkins  
G. Stone  
T. Mazzola  
D. Corrales  
K. Arlington (Arlington Env.)  
File (Palm Bay)





1501 Belvedere Road  
West Palm Beach, FL 33406

**CERTIFIED MAIL™**



7009 0960 0000 2312 7558

7009 0960 0000 2312 7558

U.S. Postal Service™  
**CERTIFIED MAIL™ RECEIPT**  
*(Domestic Mail Only; No Insurance Coverage Provided)*

tal Protec

For delivery information, visit our website at [www.usps.com](http://www.usps.com)  
**OFFICIAL USE**

Postage	\$	Cemex/J. Porter
Certified Fee		
Return Receipt Fee (Endorsement Required)		
Restricted Delivery Fee (Endorsement Required)		
Total Postage & Fees	\$	

Postmark  
Here

Sent to  
Florida Dept. of Environ. Protection  
Street, Apt. No.: P. O. Box 3070  
or PO Box No.  
City, State, ZIP+4  
Tallahassee, FL 32315-3070  
PS Form 3800 August 2006 See Reverse for Instructions

