

EPA VISIBLE EMISSION OBSERVATION FORM 1

Form Number		Page	Of
Continued on VEO Form Number			

Method Used (Circle One)
 Method 9 203A 203B Other: _____

Company Name: Lake Point Protection - sec class
 Facility Name: 7775499
 Street Address: 1 mile E of 441 + Kanan Hwy
 City: Fort Meade State: FL Zip: 33438

Process: Crush - engine Unit #: 7 Operating Mode: _____
 Control Equipment: _____ Operating Mode: _____

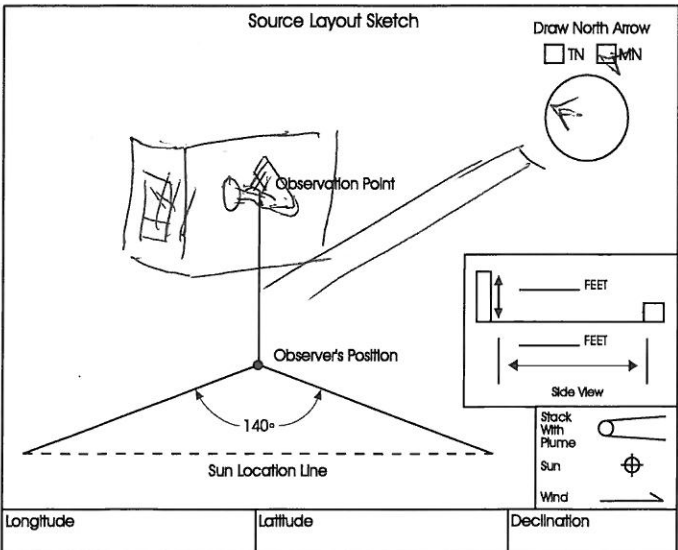
Describe Emission Point
Muffler

Height of Emiss. Pt. Start: 15 End: _____
 Height of Emiss. Pt. Rel. to Observer Start: 6 End: Base
 Distance to Emiss. Pt. Start: 30 End: _____
 Direction to Emiss. Pt. (Degrees) Start: 88° End: 118

Vertical Angle to Obs. Pt. Start: _____ End: _____
 Direction to Obs. Pt. (Degrees) Start: _____ End: _____
 Distance and Direction to Observation Point from Emission Point Start: 30 East End: 30' SE

Describe Emissions
 Start: exhaust End: same
 Emission Color Start: black End: _____
 Water Droplet Plume Attached Detached None

Describe Plume Background
 Start: sky End: same
 Background Color Start: blue/white End: same
 Sky Conditions Start: scattered End: same
 Wind Speed Start: calm End: calm
 Wind Direction Start: calm End: calm
 Ambient Temp. Start: 86° End: 86°
 Wet Bulb Temp. Start: 91 End: _____
 RH Percent Start: 60% End: _____



Sec Min	Observation Date: <u>8/21/11</u> Time Zone: <u>EST</u>				Start Time: <u>12:00</u>	End Time: <u>1:07</u>	Comments
	0	15	30	45			
1	0	0	0	0			
2	0	0	0	0			
3	0	0	0	0			
4	0	0	0	0			
5	0	0	0	0			
6	0	0	0	0			
7	0	0	5	0			
8	0	10	5	0			
9	10	10	10	10			
10	10	10	10	10			
11	5	5	5	5			
12	10	0	5	0			
13	5	5	5	5			
14	5	0	10	0			
15	5	5	5	5			
16	0	5	5	5			
17	5	5	5	10			
18	5	5	5	5			
19	5	10	5	5			
20	5	0	0	5			
21	0	5	5	0			
22	0	0	5	5			
23	5	5	0	0			
24	0	0	0	5			
25	0	0	5	0			
26	0	0	0	0			
27	0	0					
28							
29							
30							

Observer's Name (Print): Hector Tamez
 Observer's Signature: _____ Date: 8/21/11
 Organization: FDEP
 Certified By: ETA Date: 7/14/11

EPA VISIBLE EMISSION OBSERVATION FORM 1

Method Used (Circle One) Method 9 203A 203B Other: _____

Company Name Lake Point Restoration
 Facility Name _____
 Street Address 25818 SW Kanner Hwy
 City Coral Point State FL Zip _____

Process Soil crusher Unit # 4 Operating Mode normal
 Control Equipment _____ Operating Mode normal

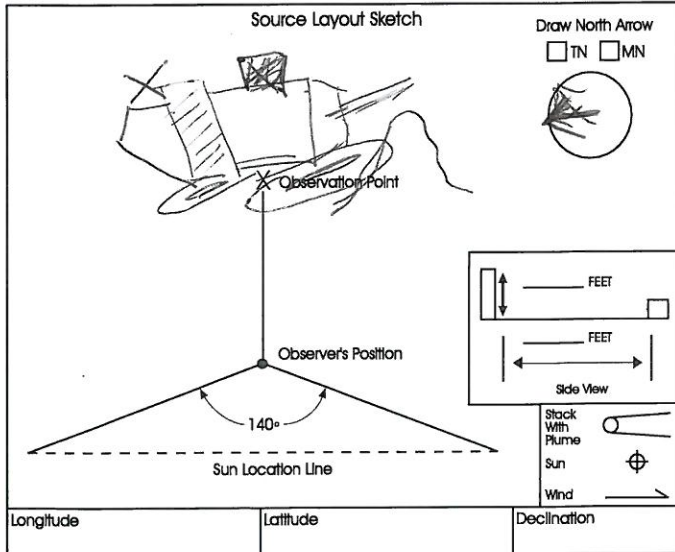
Describe Emission Point:
Drop point crusher (portable)

Height of Emiss. Pt. Start 8-10' End 8-10' Height of Emiss. Pt. Rel. to Observer Start 80 End 80
 Distance to Emiss. Pt. Start 80' End 80' Direction to Emiss. Pt. (Degrees) Start 80 End 80

Vertical Angle to Obs. Pt. Start _____ End _____ Direction to Obs. Pt. (Degrees) Start 80 End 80
 Distance and Direction to Observation Point from Emission Point Start 100 @ 80 End same

Describe Emissions Start none End none
 Emission Color Start N/A End _____ Water Droplet Plume Attached Detached None

Describe Plume Background Start sky End sky
 Background Color Start blue End same Sky Conditions Start Scattered End same
 Wind Speed Start 0-10 mph End 0-10 mph Wind Direction _____
 Ambient Temp. Start 90 End _____ Wet Bulb Temp. _____ RH Percent _____



Additional Information _____

Form Number _____ Page _____ Of _____
 Continued on VEO Form Number _____

Observation Date		Time Zone			Start Time	End Time
08/22/2011					12:40	
Sec	0	15	30	45	Comments	
1	0	0	0	0		
2	0	0	0	0		
3	0	0	0	0		
4	0	0	0	0		
5	0	0	0	0		
6	0	0	0	0		
7	0	0	0	0		
8	0	0	0	0		
9	0	0	0	0		
10	0	0	0	0		
11	0	0	0	0		
12	0	0	0	0		
13	0	0	0	0		
14	0	0	0	0		
15	0	0	0	0		
16	0	0	0	0		
17	0	0	0	0		
18	0	0	0	0		
19	0	0	0	0		
20	0	0	0	0		
21	0	0	0	0		
22	0	0	0	0		
23	0	0	0	0		
24	0	0	0	0		
25	0	0	0	0		
26	0	0	0	0		
27	0	0	0	0		
28	0	0	0	0		
29	0	0	0	0		
30	0	0	0	0		

Observer's Name (Print) Judith Dover
 Observer's Signature Judith Dover Date 08/22/2011
 Organization FL DEP
 Certified By EPA Date 08/22/2011

EPA VISIBLE EMISSION OBSERVATION FORM 1

Form Number						Page	Of
Continued on VEO Form Number							

Method Used (Circle One)
 Method 9 203A 203B Other: _____

Company Name Lake Point sec. Crush
 Facility Name 7775499
 Street Address 1 mile east of 441 on Kann
 City Port Hager State FL Zip 32138

Process crush Unit # 4 Operating Mode Normal
 Control Equipment _____ Operating Mode _____

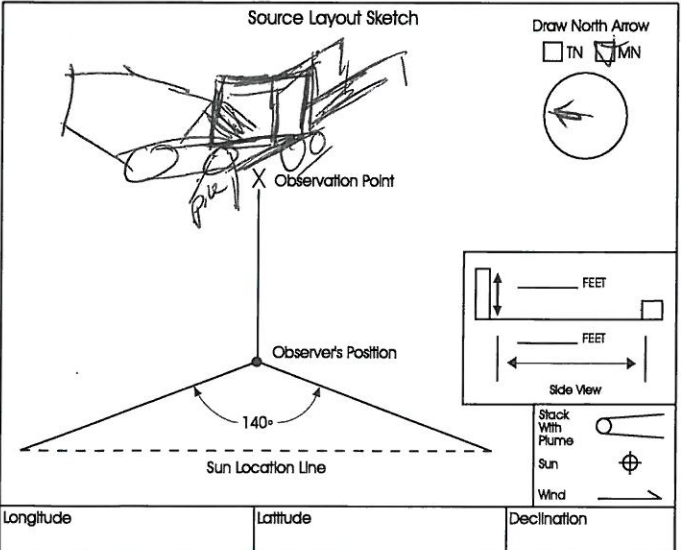
Describe Emission Point
bottom crush

Height of Emiss. Pt. Height of Emiss. Pt. Rel. to Observer
 Start 3' End _____ Start _____ End _____
 Distance to Emiss. Pt. Direction to Emiss. Pt. (Degrees)
 Start 30' End _____ Start 84° End 118°

Vertical Angle to Obs. Pt. Direction to Obs. Pt. (Degrees)
 Start _____ End _____ Start _____ End _____
 Distance and Direction to Observation Point from Emission Point
 Start 30' East End 718° 30' SE

Describe Emissions
 Start crushed asphalt End _____
 Emission Color Water Droplet Plume
 Start black End _____ Attached Detached None

Describe Plume Background
 Start around 1/2 mile End _____
 Background Color Sky Conditions
 Start dk grey End same Start scattered End _____
 Wind Speed Wind Direction
 Start calm End calm Start calm End calm
 Ambient Temp. Wet Bulb Temp. RH Percent
 Start 86° End 82° Start 91 End 60%



Min	Sec				Comments
	0	15	30	45	
Observation Date <u>8/22/2011</u> Time Zone <u>est</u> Start Time <u>12:40</u> End Time <u>1:07</u>					
1	0	0	0	0	
2	0	0	0	0	
3	0	0	0	0	
4	0	0	0	0	
5	0	0	0	0	
6	0	0	0	0	
7	0	0	0	0	
8	0	0	0	0	
9	0	0	0	0	
10	0	0	0	0	
11	0	0	0	0	
12	0	0	0	0	
13	0	0	0	0	
14	0	0	0	0	
15	0	0	0	0	
16	0	0	0	0	
17	0	0	0	0	
18	0	0	0	0	
19	0	0	0	0	
20	0	0	0	0	
21	0	0	0	0	
22	0	0	0	0	
23	0	0	0	0	
24	0	0	0	0	
25	0	0	0	0	
26	0	0	0	0	
27	0	0	0	0	
28					
29					
30					

Observer's Name (Print) Johna Tamps
 Observer's Signature _____ Date 8/22/2011
 Organization DEP
 Certified By ETA Date 9/14/11