

# EPA VISIBLE EMISSION OBSERVATION FORM 1

Form Number	Page <u>1</u> Of <u>2</u>
Continued on VEO Form Number	

Method Used (Circle One)  
 Method 9    203A    203B    Other: \_\_\_\_\_

Company Name: Jahara Concrete  
 Facility Name: Spring Lake Plant  
 Street Address: 200 Jahna Circle  
 City: Sebring    State: FL    Zip: 33870

Process: Tanker unloading (cement)    Unit #: 1    Operating Mode: 26.43 tons  
 Control Equipment: Baghouse    Operating Mode: 11psi

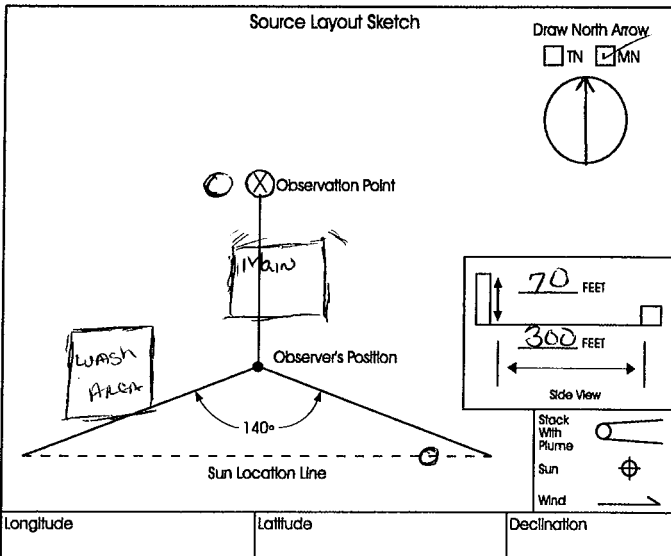
Describe Emission Point:  
Eastern silo with single baghouse

Height of Emiss. Pt. Start <u>70'</u> End <u>70'</u>	Height of Emiss. Pt. Rel. to Observer Start <u>70'</u> End <u>70'</u>
Distance to Emiss. Pt. Start <u>300'</u> End <u>300'</u>	Direction to Emiss. Pt. (Degrees) Start <u>358°</u> End <u>358°</u>

Vertical Angle to Obs. Pt. Start <u>17°</u> End <u>17°</u>	Direction to Obs. Pt. (Degrees) Start <u>358°</u> End <u>358°</u>
Distance and Direction to Observation Point from Emission Point Start <u>0</u> End <u>0</u>	

Describe Emissions  
 Start: None    End: None  
 Emission Color: Start N/A    End N/A  
 Water Droplet Plume: Attached     Detached     None

Describe Plume Background  
 Start: Skly    End: Skly  
 Background Color: Start Blue    End Blue    Sky Conditions: Start Broken    End Broken  
 Wind Speed: Start 8mph    End 8mph    Wind Direction: Start SE    End SE  
 Ambient Temp.: Start 77°    End 82°    Wet Bulb Temp.: \_\_\_\_\_    RH Percent: 53%



Longitude: \_\_\_\_\_    Latitude: \_\_\_\_\_    Declination: \_\_\_\_\_

Additional Information:  
Load Rate - 32.3 tons/hr

Sec Mn	Time Zone				Comments
	0	15	30	45	
Observation Date: <u>5/27/11</u> Start Time: <u>9:43</u> End Time: <u>10:32</u>					
1	○	○	○	○	
2	○	○	○	○	
3	○	○	○	○	
4	○	○	○	○	
5	○	○	○	○	
6	○	○	○	○	
7	○	○	○	○	
8	○	○	○	○	
9	○	○	○	○	
10	○	○	○	○	
11	○	○	○	○	
12	○	○	○	○	
13	○	○	○	○	
14	○	○	○	○	
15	○	○	○	○	
16	○	○	○	○	
17	○	○	○	○	
18	○	○	○	○	
19	○	○	○	○	
20	○	○	○	○	
21	○	○	○	○	
22	○	○	○	○	
23	○	○	○	○	
24	○	○	○	○	
25	○	○	○	○	
26	○	○	○	○	
27					<u>Check Tankage</u>
28					<u>Pressure</u>
29					
30					

Observer's Name (Print): Sherrill Colliver  
 Observer's Signature: Sherrill Colliver    Date: 5/27/11  
 Organization: FDEP  
 Certified By: ETA    Date: 2/11

# EPA VISIBLE EMISSION OBSERVATION FORM 1

Method Used (Circle One)  
 Method 9      203A      203B      Other: \_\_\_\_\_

Company Name: Jahaa Concrete  
 Facility Name: Spring Lake Plant  
 Street Address: \_\_\_\_\_  
 City: \_\_\_\_\_ State: \_\_\_\_\_ Zip: \_\_\_\_\_

Process: \_\_\_\_\_ Unit #: 1 Operating Mode: \_\_\_\_\_  
 Control Equipment: \_\_\_\_\_ Operating Mode: \_\_\_\_\_

Describe Emission Point  
 \_\_\_\_\_  
 \_\_\_\_\_  
 \_\_\_\_\_

Height of Emiss. Pt. \_\_\_\_\_ Height of Emiss. Pt. Rel. to Observer \_\_\_\_\_  
 Start \_\_\_\_\_ End \_\_\_\_\_ Start \_\_\_\_\_ End \_\_\_\_\_  
 Distance to Emiss. Pt. \_\_\_\_\_ Direction to Emiss. Pt. (Degrees) \_\_\_\_\_  
 Start \_\_\_\_\_ End \_\_\_\_\_ Start \_\_\_\_\_ End \_\_\_\_\_

Vertical Angle to Obs. Pt. \_\_\_\_\_ Direction to Obs. Pt. (Degrees) \_\_\_\_\_  
 Start \_\_\_\_\_ End \_\_\_\_\_ Start \_\_\_\_\_ End \_\_\_\_\_  
 Distance and Direction to Observation Point from Emission Point  
 Start \_\_\_\_\_ End \_\_\_\_\_

Describe Emissions  
 Start \_\_\_\_\_ End \_\_\_\_\_  
 Emission Color \_\_\_\_\_ Water Droplet Plume \_\_\_\_\_  
 Start \_\_\_\_\_ End \_\_\_\_\_ Attached  Detached  None

Describe Plume Background  
 Start \_\_\_\_\_ End \_\_\_\_\_  
 Background Color \_\_\_\_\_ Sky Conditions \_\_\_\_\_  
 Start \_\_\_\_\_ End \_\_\_\_\_ Start \_\_\_\_\_ End \_\_\_\_\_  
 Wind Speed \_\_\_\_\_ Wind Direction \_\_\_\_\_  
 Start \_\_\_\_\_ End \_\_\_\_\_ Start \_\_\_\_\_ End \_\_\_\_\_  
 Ambient Temp. \_\_\_\_\_ Wet Bulb Temp. \_\_\_\_\_ RH Percent \_\_\_\_\_  
 Start \_\_\_\_\_ End \_\_\_\_\_

Source Layout Sketch

Draw North Arrow  
 TN  MN

Observer's Position

Observation Point

Sun Location Line

140°

FEET

FEET

Side View

Stack With Plume

Sun

Wind

Longitude \_\_\_\_\_ Latitude \_\_\_\_\_ Declination \_\_\_\_\_

Additional Information  
 \_\_\_\_\_  
 \_\_\_\_\_

Form Number \_\_\_\_\_ Page \_\_\_\_\_ Of \_\_\_\_\_  
 Continued on VEO Form Number \_\_\_\_\_

Observation Date		Time Zone				Start Time	End Time
5/27/11							
Sec Min	0	15	30	45	Comments		
	1						
2							
3							
4							
5							
6							
7							
8							
9							
10							
11							
12							
13							
14							
15							
16							
17							
18							
19							
20							
21							
22							
23							
24							
25							
26							
27							
28							
29							
30							

Observer's Name (Print) \_\_\_\_\_  
 Observer's Signature \_\_\_\_\_ Date \_\_\_\_\_  
 Organization \_\_\_\_\_  
 Certified By \_\_\_\_\_ Date \_\_\_\_\_

# EPA VISIBLE EMISSION OBSERVATION FORM 1

Method Used (Circle One)  
 Method 9      203A      203B      Other: \_\_\_\_\_

Form Number \_\_\_\_\_ Page 1 of 2  
 Continued on VEO Form Number \_\_\_\_\_

Company Name Jahna Concrete  
 Facility Name Spring Lake Plant  
 Street Address 200 Jahna Circle  
 City Sebring State FL Zip 33870

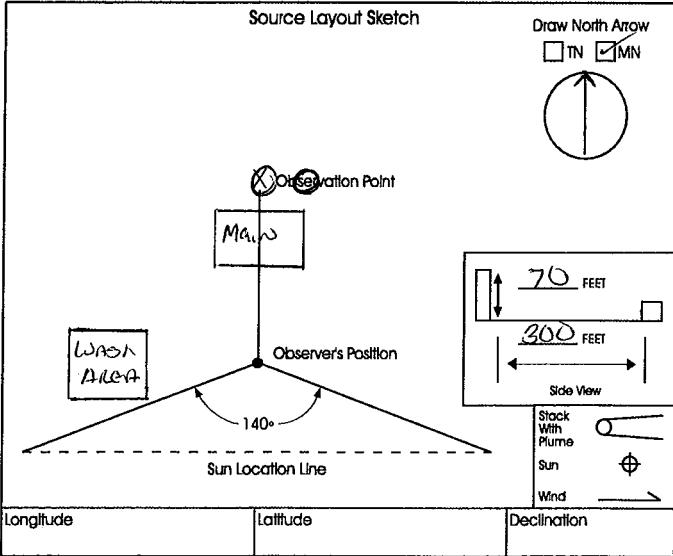
Process (slag) Tanker Unloading Unit # 3 Operating Mode 26.24  
 Control Equipment Baghouse Operating Mode 10 psi

Describe Emission Point  
Western silo with single baghouse  
 Height of Emiss. Pt. Start 70' End 70' Height of Emiss. Pt. Rel. to Observer Start 70' End 70'  
 Direction to Emiss. Pt. (Degrees) Start 300' End 300' Direction to Emiss. Pt. (Degrees) Start 358° End 358°

Vertical Angle to Obs. Pt. Start 17° End 17° Direction to Obs. Pt. (Degrees) Start 358° End 358°  
 Distance and Direction to Observation Point from Emission Point Start 0 End 0

Describe Emissions  
 Start None End None  
 Emission Color Start N/A End N/A Water Droplet Plume Attached  Detached  None

Describe Plume Background  
 Start sky End sky  
 Background Color Start White End Blue Sky Conditions Start Broken End Broken  
 Wind Speed Start 8 mph End 8 mph Wind Direction Start SE End SE  
 Ambient Temp. Start 77° End 82° Wet Bulb Temp. \_\_\_\_\_ RH Percent 53%



Observation Date		Time Zone		Start Time	End Time	Comments
Min	Sec	0	15	30	45	
5/27/11				9:43	10:28	
1	0	0	0	0		
2	0	0	0	0		
3	0	0	0	0		
4	0	0	0	0		
5	0	0	0	0		
6	0	0	0	0		
7	0	0	0	0		
8	0	0	0	0		
9	0	0	0	0		
10	0	0	0	0		
11	0	0	0	0		
12	0	0	0	0		
13	0	0	0	0		
14	0	0	0	0		
15	0	0	0	0		
16	0	0	0	0		
17	0	0	0	0		
18	0	0	0	0		
19	0	0	0	0		
20	0	0	0	0		
21	0	0	0	0		
22	0	0	0	0		
23	0	0	0	0		
24	0	0	0	0		
25	0	0	0	0		
26	0	0	0	0		
27						Check Tanker
28						Pressure
29						
30						

Additional Information  
Load Rate - 33 ton/hr

Observer's Name (Print) Sherill Culliver  
 Observer's Signature Sherill Culliver Date 5/27/11  
 Organization FDEP  
 Certified By ETA Date 2/11

# EPA VISIBLE EMISSION OBSERVATION FORM 1

Form Number					Page <u>2</u>	Of <u>2</u>
Continued on VEO Form Number						

Method Used (Circle One)		
Method 9	203A	203B
Other: _____		

Company Name <u>Jahma Concrete</u>		
Facility Name <u>Spring Lake Plant</u>		
Street Address _____		
City _____	State _____	Zip _____

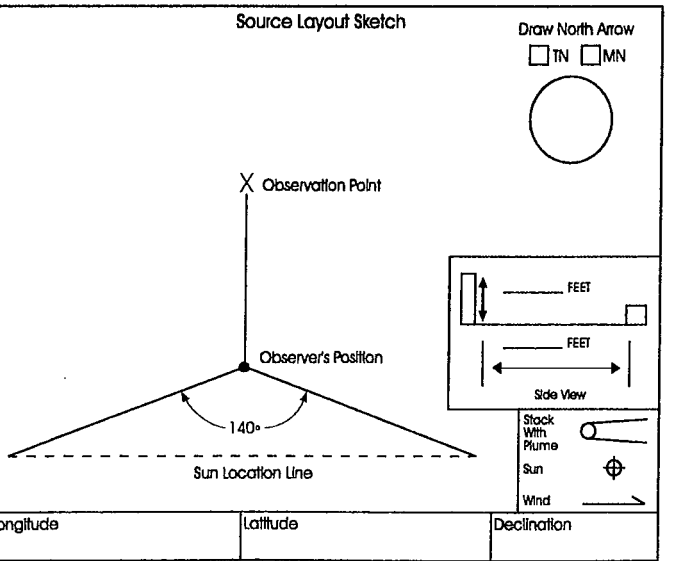
Process _____	Unit # <u>3</u>	Operating Mode _____
Control Equipment _____	Operating Mode _____	

Describe Emission Point	
Height of Emiss. Pt. Start _____ End _____	Height of Emiss. Pt. Rel. to Observer Start _____ End _____
Distance to Emiss. Pt. Start _____ End _____	Direction to Emiss. Pt. (Degrees) Start _____ End _____

Vertical Angle to Obs. Pt. Start _____ End _____	Direction to Obs. Pt. (Degrees) Start _____ End _____
Distance and Direction to Observation Point from Emission Point Start _____ End _____	

Describe Emissions	
Start _____ End _____	Water Droplet Plume
Emission Color _____	Attached <input type="checkbox"/> Detached <input type="checkbox"/> None <input type="checkbox"/>

Describe Plume Background	
Start _____ End _____	Sky Conditions _____
Background Color _____	Wind Direction _____
Wind Speed _____	Start _____ End _____
Start _____ End _____	Wet Bulb Temp. _____
Ambient Temp. _____	RH Percent _____
Start _____ End _____	



Additional Information	

Observation Date		Time Zone				Start Time	End Time
<u>5/27/11</u>							
Min	Sec	0	15	30	45	Comments	
	1	<input checked="" type="radio"/>	<input checked="" type="radio"/>	<input checked="" type="radio"/>	<input checked="" type="radio"/>		
2	<input checked="" type="radio"/>	<input checked="" type="radio"/>	<input checked="" type="radio"/>	<input checked="" type="radio"/>			
3	<input checked="" type="radio"/>	<input checked="" type="radio"/>	<input checked="" type="radio"/>	<input checked="" type="radio"/>			
4	<input checked="" type="radio"/>	<input checked="" type="radio"/>	<input checked="" type="radio"/>	<input checked="" type="radio"/>			
5	<input checked="" type="radio"/>	<input checked="" type="radio"/>	<input checked="" type="radio"/>	<input checked="" type="radio"/>			
6	<input checked="" type="radio"/>	<input checked="" type="radio"/>	<input checked="" type="radio"/>	<input checked="" type="radio"/>			
7	<input checked="" type="radio"/>	<input checked="" type="radio"/>	<input checked="" type="radio"/>	<input checked="" type="radio"/>			
8	<input checked="" type="radio"/>	<input checked="" type="radio"/>	<input checked="" type="radio"/>	<input checked="" type="radio"/>			
9	<input checked="" type="radio"/>	<input checked="" type="radio"/>	<input checked="" type="radio"/>	<input checked="" type="radio"/>			
10	<input checked="" type="radio"/>	<input checked="" type="radio"/>	<input checked="" type="radio"/>	<input checked="" type="radio"/>			
11	<input checked="" type="radio"/>	<input checked="" type="radio"/>	<input checked="" type="radio"/>	<input checked="" type="radio"/>			
12	<input checked="" type="radio"/>	<input checked="" type="radio"/>	<input checked="" type="radio"/>	<input checked="" type="radio"/>			
13	<input checked="" type="radio"/>	<input checked="" type="radio"/>	<input checked="" type="radio"/>	<input checked="" type="radio"/>			
14	<input checked="" type="radio"/>	<input checked="" type="radio"/>	<input checked="" type="radio"/>	<input checked="" type="radio"/>			
15							
16							
17							
18							
19							
20							
21							
22							
23							
24							
25							
26							
27							
28							
29							
30							

Observer's Name (Print) _____	
Observer's Signature _____	Date _____
Organization _____	
Certified By _____	Date _____