

EPA VISIBLE EMISSION OBSERVATION FORM 1

Method Used (Circle One)
 Method 9 203A 203B Other: _____

Form Number _____ Page 1 Of 1
 Continued on VEO Form Number _____

Company Name
TARMAC (0850004)
 Facility Name
Stuart Ready Mix Concrete
 Street Address
1501 Gummman Way
 City **Stuart** State **Florida** Zip **34994**

Process **Cement loading** Unit # **2** Operating Mode **Normal**
 Control Equipment **Silo** Operating Mode **Normal**

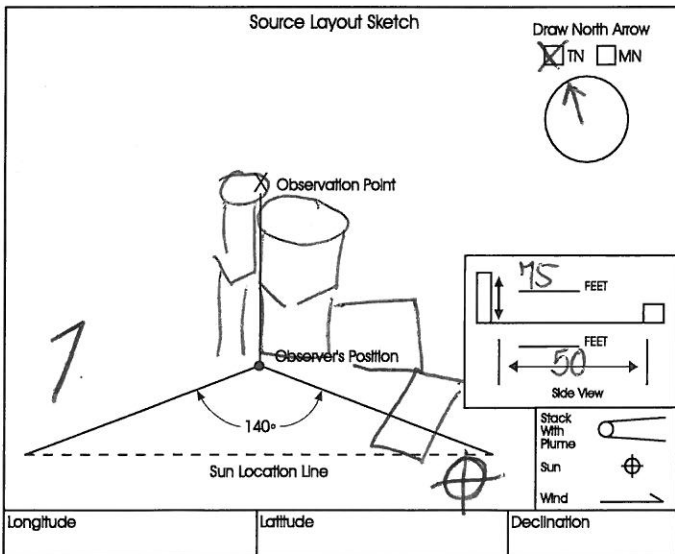
Describe Emission Point
Top of Silo dust collector

Height of Emiss. Pt. Start **75** End **75** Height of Emiss. Pt. Rel. to Observer Start **70** End **70**
 Distance to Emiss. Pt. Start _____ End _____ Direction to Emiss. Pt. (Degrees) Start _____ End _____

Vertical Angle to Obs. Pt. Start _____ End _____ Direction to Obs. Pt. (Degrees) Start **NE** End _____
 Distance and Direction to Observation Point from Emission Point Start _____ End _____

Describe Emissions Start **clear** End **clear**
 Emission Color Start **none** End **none** Water Droplet Plume Attached Detached None

Describe Plume Background Start **Blue Sky** End **Blue Sky**
 Background Color Start **Blue** End **Blue** Sky Conditions Start **clear** End **clear**
 Wind Speed Start **5-10** End **5-10** Wind Direction Start **SW** End **SW**
 Ambient Temp. Start **↑ 60S** End **↑ 60S** Wet Bulb Temp. _____ RH Percent _____



Additional Information
no visible emissions observed.

Observation Date	Time Zone	Start Time	End Time					
1/18/11	ETZ	0851	0911	Sec				Comments
Min	0	15	30	45				
1	0	0	0	0				
2	0	0	0	0				
3	0	0	0	0				
4	0	0	0	0				
5	0	0	0	0				
6	0	0	0	0				
7	0	0	0	0				
8	0	0	0	0				
9	0	0	0	0				
10	0	0	0	0				
11	0	0	0	0				
12	0	0	0	0				
13	0	0	0	0				
14	0	0	0	0				
15	0	0	0	0				
16	0	0	0	0				
17	0	0	0	0				
18	0	0	0	0				
19	0	0	0	0				
20								
21								
22								
23								
24								
25								
26								
27								
28								
29								
30								

Observer's Name (Print)
Nicole Stallings
 Observer's Signature
Nicole Stallings Date **1/18/2011**
 Organization
Florida Department of Environmental Protection
 Certified By
Eastern Technical Associates Date **August 15, 2007**

EPA VISIBLE EMISSION OBSERVATION FORM 1

Method Used (Circle One)
 Method 9 203A 203B Other: _____

Form Number _____ Page _____ Of _____
 Continued on VEO Form Number _____

Company Name: **TARMAC (0856004)**
 Facility Name: **Stuart Ready Mix concrete**
 Street Address: **1501 Grumman Way**
 City: **Stuart** State: **Florida** Zip: **34994**

Process: **99 west silo loading** Unit #: **4** Operating Mode: **Normal**
 Control Equipment: **baghouse** Operating Mode: **Normal**

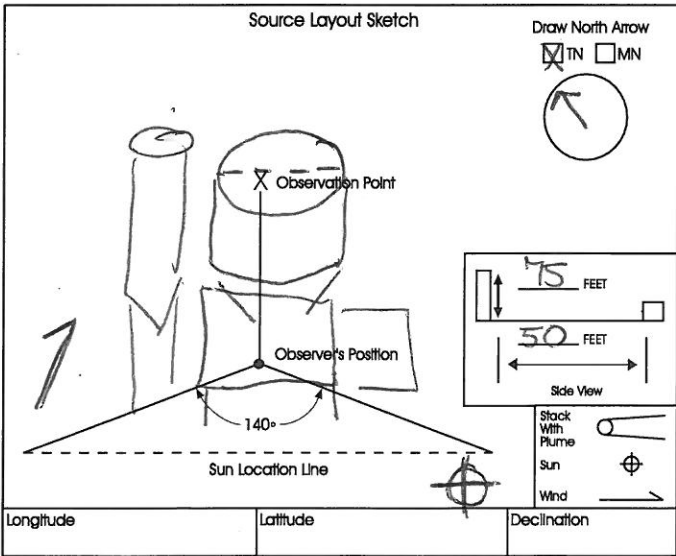
Describe Emission Point:
west sput silo - top

Height of Emiss. Pt. Height of Emiss. Pt. Rel. to Observer
 Start: **75** End: **75** Start: End:
 Distance to Emiss. Pt. Direction to Emiss. Pt. (Degrees)
 Start: **50** End: **50** Start: End:

Vertical Angle to Obs. Pt. Direction to Obs. Pt. (Degrees)
 Start: End: Start: End:
 Distance and Direction to Observation Point from Emission Point
 Start: **NE 150ft** End:

Describe Emissions
 Start: **clear - none visible** End: "
 Emission Color Water Droplet Plume
 Start: **clear** End: **clear** Attached Detached None

Describe Plume Background
 Start: **blue sky** End: **blue sky**
 Background Color Sky Conditions
 Start: **blue** End: **blue** Start: **scattered** End: **scattered**
 Wind Speed Wind Direction
 Start: **5-10** End: **5-10** Start: **SW** End: **SW**
 Ambient Temp. Wet Bulb Temp. RH Percent
 Start: **70s** End: **70s**



Additional Information:
no visible emissions observed

Min	Time Zone				Comments
	Sec	0	15	30	
	11:18 AM ETZ				
	0924				0944
1	○	○	○	○	
2	○	○	○	○	
3	○	○	○	○	
4	○	○	○	○	
5	○	○	○	○	
6	○	○	○	○	
7	○	○	○	○	
8	○	○	○	○	
9	○	○	○	○	
10	○	○	○	○	
11	○	○	○	○	
12	○	○	○	○	
13	○	○	○	○	
14	○	○	○	○	
15	○	○	○	○	
16	○	○	○	○	
17	○	○	○	○	
18	○	○	○	○	
19	○	○	○	○	
20					
21					
22					
23					
24					
25					
26					
27					
28					
29					
30					

Observer's Name (Print): **Michelle Stallings**
 Observer's Signature: **Michelle Stallings** Date: **1/18/11**
 Organization: **Florida Department of Environmental Protection**
 Certified By: **Eastern Technical Associates** Date: **August 15, 2007**

EPA VISIBLE EMISSION OBSERVATION FORM 1

Method Used (Circle One)
 Method 9 203A 203B Other: _____

Form Number _____ Page 1 Of 1
 Continued on VEO Form Number _____

Company Name TARMAC (0850004)
 Facility Name Stuart Ready Mix Concrete
 Street Address 1501 Drumman Way
 City Stuart State Florida Zip 34994

Observation Date		Time Zone		Start Time	End Time	Comments
Min	Sec	0	15	30	45	
1	0	0	0	0		
2	0	0	0	0		
3	0	0	0	0		
4	0	0	0	0		
5	0	0	0	0		
6	0	0	0	0		
7	0	0	0	0		
8	0	0	0	0		
9	0	0	0	0		
10	0	0	0	0		
11	0	0	0	0		
12	0	0	0	0		
13	0	0	0	0		
14	0	0	0	0		
15	0	0	0	0		
16	0	0	0	0		
17	0	0	0	0		
18	0	0	0	0		
19	0	0	0	0		
20						
21						
22						
23						
24						
25						
26						
27						
28						
29						
30						

Process Silo loading Unit # 3 Operating Mode Normal
 Control Equipment baghouse Operating Mode Normal

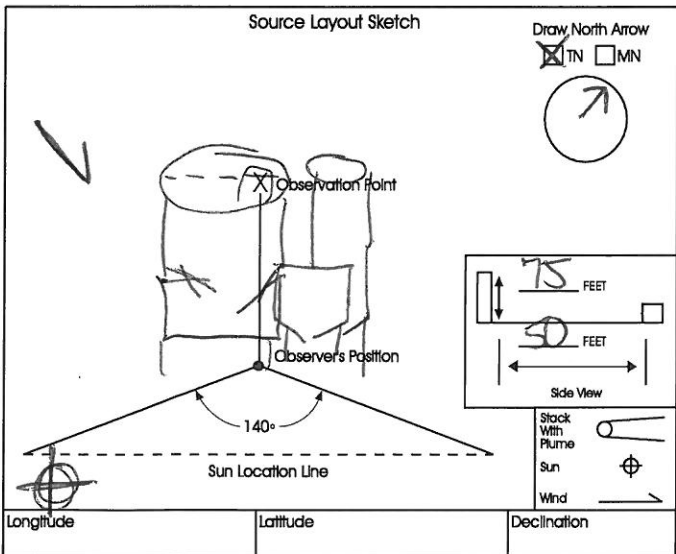
Describe Emission Point
East silo loading - top

Height of Emiss. Pt. Start 75 End 75 Height of Emiss. Pt. Rel. to Observer Start _____ End _____
 Distance to Emiss. Pt. Start 50 End 50 Direction to Emiss. Pt. (Degrees) Start _____ End _____

Vertical Angle to Obs. Pt. Start _____ End _____ Direction to Obs. Pt. (Degrees) Start _____ End _____
 Distance and Direction to Observation Point from Emission Point Start 50 ft. NE End _____

Describe Emissions
 Start clear End _____
 Emission Color Start none End none Water Droplet Plume Attached Detached None

Describe Plume Background
 Start cloudy sky End cloudy sky
 Background Color Start Blue End Blue Sky Conditions Start scattered End scattered
 Wind Speed Start 5-10 End 5-10 Wind Direction Start SW End SW
 Ambient Temp. Start 70s End 70s Wet Bulb Temp. _____ RH Percent _____



Additional Information
no visible emissions observed.

Observer's Name (Print) Nicole Stallings
 Observer's Signature Nicole Stallings Date 1/18/11
 Organization Florida Department of Environmental Protection
 Certified By Eastern Technical Associates Date August 15, 2007

EPA VISIBLE EMISSION OBSERVATION FORM 1

Method Used (Circle One)
 Method 9 203A 203B Other: _____

Form Number _____ Page 1 Of 1
 Continued on VEO Form Number _____

Company Name **TARMAC (08500004)**
 Facility Name **1501 Grumman Way**
 Street Address **Stuart Ready Mix Concrete**
 City **Stuart** State **Florida** Zip **34949**

Observation Date		Time Zone				Start Time	End Time
1/18/10		ETZ				1047	1107
Min	Sec					Comments	
	0	15	30	45			
1	0	0	0	0			
2	0	0	0	0			
3	0	0	0	0			
4	0	0	0	0			
5	0	0	0	0			
6	0	0	0	0			
7	0	0	0	0			
8	0	0	0	0			
9	0	0	0	0			
10	0	0	0	0			
11	0	0	0	0			
12	0	0	0	0			
13	0	0	0	0			
14	0	0	0	0			
15	0	0	0	0			
16	0	0	0	0			
17	0	0	0	0			
18	0	0	0	0			
19	0	0	0	0			
20							
21							
22							
23							
24							
25							
26							
27							
28							
29							
30							

Process: **Weigh hoppers** Unit #: **1** Operating Mode: **Normal**
 Control Equipment: **truck loader** Operating Mode: **normal**
Dust collector

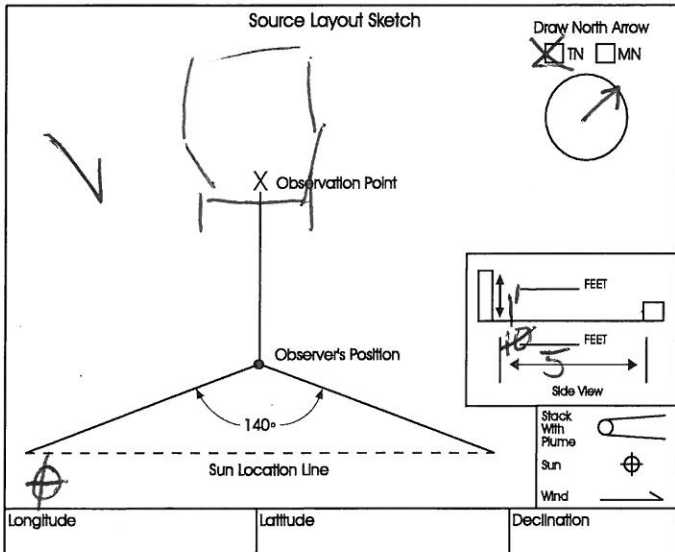
Describe Emission Point
bottom of hopper

Height of Emis. Pt. Start **1 ft.** End **1 ft.** Height of Emis. Pt. Rel. to Observer Start **1 ft.** End **1 ft.**
 Distance to Emis. Pt. Start **50** End **5** Direction to Emis. Pt. (Degrees) Start _____ End _____

Vertical Angle to Obs. Pt. Start _____ End _____ Direction to Obs. Pt. (Degrees) Start _____ End _____
 Distance and Direction to Observation Point from Emission Point Start **50 ft. W.** End **5 ft. W.**

Describe Emissions
 Start **None** End _____
 Emission Color Start **None** End **None** Water Droplet Plume Attached Detached None

Describe Plume Background
 Start **Building** End **building**
 Background Color Start **gray** End **gray** Sky Conditions Start **scattered** End **scattered**
 Wind Speed Start **5-10** End **5-10** Wind Direction Start **SW** End **SW**
 Ambient Temp. Start **70S** End **70S** Wet Bulb Temp. _____ RH Percent _____



Additional Information
no visible emissions observed.

Observer's Name (Print) **Nicole Stallings**
 Observer's Signature **Nicole Stallings** Date **1/18/10**
 Organization **Florida Department of Environmental Protection**
 Certified By **Eastern Technical Associates** Date **August 15, 2007**