

EPA

VISIBLE EMISSION OBSERVATION FORM 1

Method used: Method 9  203A  203B  Other:

Company Name: Cemex  
 Facility Name:  
 Street Address:  
 City: Stuart State: FL Zip: 34999

Process: cement Unit#: 1 Operating Mode: Normal  
 Control Equipment: baghouse dust collector Operating Mode: normal

Describe Emission Point: NE Side of Split Silo

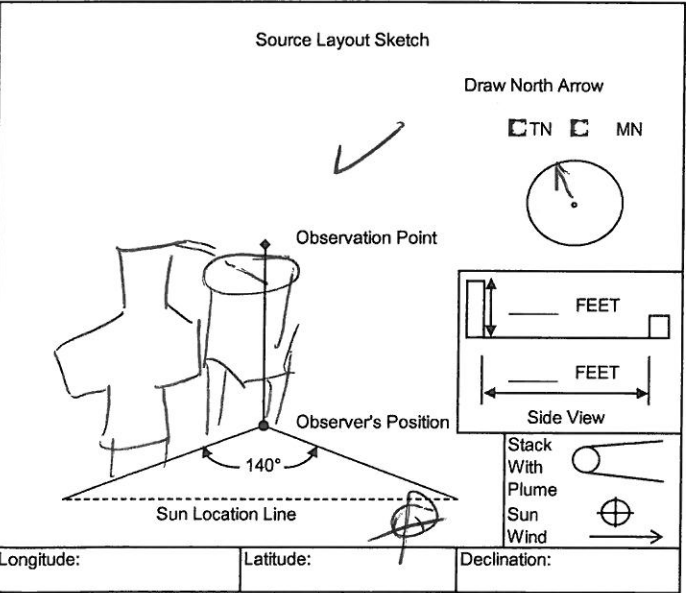
Height of Emission Point Start: 70 ft End:  
 Height of Emiss. Point Rel. to Obser. Start: End:  
 Distance to Emission Point Start: 100 ft End:  
 Direction to Emission Point (Degrees) Start: End:

Vertical Angle to Obs. Point Start: End:  
 Direction to Obs. Point (Degrees) Start: End:  
 Distance and Direction to Observation Point from Emission Point Start: 100 ft SE End: 100 ft SE

Describe Emissions Start: None End:  
 Emission Color Start: None End:  
 Water Droplet Plume Attached  Detached  None

Describe Plume Background Start: gray cloudy sky End: cloudy sky  
 Background Color Start: gray End: gray Sky Conditions Start: scattered End: scattered  
 Wind Speed Start: 5-10 End: 5-10 Wind Direction Start: NE End: NE  
 Ambient Temperature Start: 70.5 End: 70.5 Wet Bulb Temp.: °F RH Percent: %

*EWOP*



ADDITIONAL OBSERVATIONS:

AIRS ID / Permit #: \_\_\_\_\_  
 Audit Type: \_\_\_\_\_  
 District: \_\_\_\_\_  
 County: \_\_\_\_\_  
 Is Plume continual? \_\_\_\_\_  
 Is Plume attached or detached? \_\_\_\_\_  
 Does plume have any color? \_\_\_\_\_ If so, readings should show at least 5%  
 Test Pass or Fail: \_\_\_\_\_  
 Is this set of test data complete? Yes  No

Form Number: \_\_\_\_\_ Page \_\_\_\_\_ Of \_\_\_\_\_  
 Continued on VEO Form Number: \_\_\_\_\_

Observation Date:		Time Zone:		Start Time:		End Time:	
1/31/12		EST		1023		1035	
Min	Sec	0	15	30	45	AVG	Comments
1		0	0	0	0	0.0	
2		0	0	0	0	0.0	
3		0	0	0	0	0.0	
4		0	0	0	0	0.0	
5		0	0	0	0	0.0	
6		0	0	0	0	0.0	
7		0	0	0	0	0.0	
8		0	0	0	0	0.0	
9		0	0	0	0	0.0	
10		0	0	0	0	0.0	
11		0	0	0	0	0.0	
12		0	0	0	0	0.0	
13						0.0	
14						0.0	
15						0.0	
16						0.0	
17						0.0	
18						0.0	
19						0.0	
20						0.0	
21						0.0	
22						0.0	
23						0.0	
24						0.0	
25						0.0	
26						0.0	
27						0.0	
28						0.0	
29						0.0	
30						0.0	

MINOR SOURCE 30 MIN. AVG: 0.0 (ONLY VALID FOR ALL 120 READINGS)

Observer's Name (Print): Nicole Stallings  
 Observer's Signature: Nicole Stallings Date: 1/31/12  
 Organization: EDEP  
 Certified By: ETA Date: 1/11/12

Additional Information:

WORST 6 MINUTES: 0.0 %  
 AVERAGE OPACITY: 0.0 %

Data for WebMICA  
 Year: \_\_\_\_\_  
 Month: \_\_\_\_\_  
 Start Date: \_\_\_\_\_  
 # of Days: \_\_\_\_\_  
 Celestial Object: Sun  
 Longitude W: \_\_\_\_\_ Degrees  
 \_\_\_\_\_ Minutes  
 Latitude N: \_\_\_\_\_ Degrees  
 \_\_\_\_\_ Minutes  
 Time Zone Hrs: \_\_\_\_\_ W. of Greenwich

Sun's Path

EPA

VISIBLE EMISSION OBSERVATION FORM 1

Method used: Method 9  203A  203B  Other:

Company Name: Cemrex  
 Facility Name:  
 Street Address:  
 City: Stuart State: FL Zip:

Process: Cement Unit#: 1 Operating Mode: Normal  
 Control Equipment: Dust collector Operating Mode: Normal

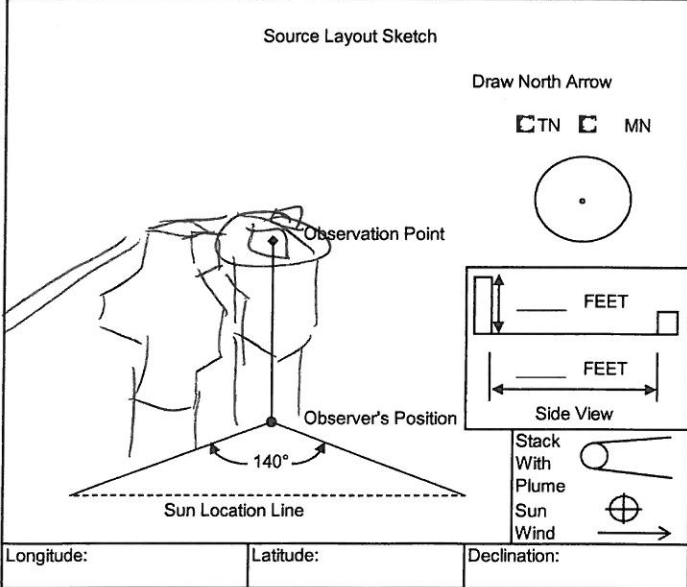
Describe Emission Point: S. side of split silo.

Height of Emission Point Start: 100ft End: 70ft Height of Emiss. Point Rel. to Obser. Start: End:  
 Distance to Emission Point Start: 100ft End: 100ft Direction to Emission Point (Degrees) Start: End:

Vertical Angle to Obs. Point Start: End: Direction to Obs. Point (Degrees) Start: End:  
 Distance and Direction to Observation Point from Emission Point Start: 100ft SE End: 100ft SE

Describe Emissions Start: None End: None Water Droplet Plume Attached  Detached  None   
 Emission Color Start: None End: None

Describe Plume Background Start: SKY End: SKY Sky Conditions Start: Scattered End: Scattered  
 Background Color Start: Blue End: Blue Wind Speed Start: 5-10 End: 5-10 Wind Direction Start: NE End: E  
 Ambient Temperature Start: 70s End: 70s Wet Bulb Temp.: °F RH Percent: %



ADDITIONAL OBSERVATIONS:

AIRS ID / Permit #: \_\_\_\_\_  
 Audit Type: \_\_\_\_\_  
 District: \_\_\_\_\_  
 County: \_\_\_\_\_  
 Is Plume continual? \_\_\_\_\_  
 Is Plume attached or detached? \_\_\_\_\_  
 Does plume have any color? \_\_\_\_\_ If so, readings should show at least 5%  
 Test Pass or Fail: \_\_\_\_\_  
 Is this set of test data complete? Yes  No

Form Number: \_\_\_\_\_ Page \_\_\_\_\_ Of \_\_\_\_\_  
 Continued on VEO Form Number: \_\_\_\_\_

Observation Date: 1/31/12 Time Zone: EST Start Time: 1059 End Time: 11:11

Min	Sec	0	15	30	45	AVG	Comments
1		0	0	0	0	0.0	
2		0	0	0	0	0.0	
3		0	0	0	0	0.0	
4		0	0	0	0	0.0	
5		0	0	0	0	0.0	
6		0	0	0	0	0.0	
7		0	0	0	0	0.0	
8		0	0	0	0	0.0	
9		0	0	0	0	0.0	
10		0	0	0	0	0.0	
11		0	0	0	0	0.0	
12		0	0	0	0	0.0	
13		0	0	0	0	0.0	
14		0	0	0	0	0.0	
15		0	0	0	0	0.0	
16		0	0	0	0	0.0	
17		0	0	0	0	0.0	
18		0	0	0	0	0.0	
19		0	0	0	0	0.0	
20		0	0	0	0	0.0	
21		0	0	0	0	0.0	
22		0	0	0	0	0.0	
23		0	0	0	0	0.0	
24		0	0	0	0	0.0	
25		0	0	0	0	0.0	
26		0	0	0	0	0.0	
27		0	0	0	0	0.0	
28		0	0	0	0	0.0	
29		0	0	0	0	0.0	
30		0	0	0	0	0.0	

No Fly ash

Fluo 3

MINOR SOURCE 30 MIN. AVG: 0.0 (ONLY VALID FOR ALL 120 READINGS)

Observer's Name (Print): Nicole Stallings  
 Observer's Signature: Nicole Stallings Date: 1/31/12  
 Organization: FDEP  
 Certified By: ETA Date: 1/31/12

Additional Information:

WORST 6 MINUTES: 0.0 %  
 AVERAGE OPACITY: 0.0 %

Data for WebMICA  
 Year: \_\_\_\_\_  
 Month: \_\_\_\_\_  
 Start Date: \_\_\_\_\_  
 # of Days: \_\_\_\_\_  
 Celestial Object: Sun  
 Longitude W: \_\_\_\_\_ Degrees  
 \_\_\_\_\_ Minutes  
 Latitude N: \_\_\_\_\_ Degrees  
 \_\_\_\_\_ Minutes  
 Time Zone Hrs: \_\_\_\_\_ W. of Greenwich

Truck load out = all zeros... 1050-1052  
1840-1052

25 tons/hour

Sun's Path